



18,000 BTU/H WALL MOUNTED HEAT PUMP SYSTEM

SUBMITTAL COVER SHEET

PROJECT NAME _____

LOCATION _____


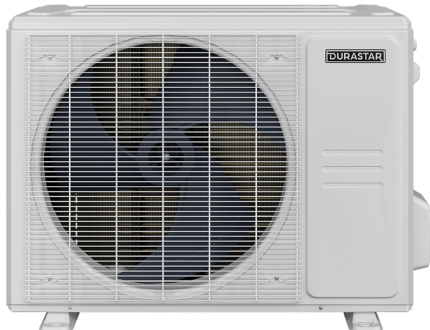

ARCHITECT _____

ENGINEER _____

CONTRACTOR _____

REFERENCE _____

SUBMITTED BY _____ DATE _____

Indoor Unit (IDU): DRAW18F2A	Outdoor Unit (ODU): DRA1U18S2A	Wireless Remote Control
		

PRODUCT FEATURES

- Low ambient heating down to -13°F
- Low ambient cooling down to -13°F
- A2L refrigerant detection system
- Variable speed inverter compressor
- Quiet operation
- Wireless remote control with "Follow Me" technology
- Turbo, ECO, Active Clean, Sleep modes and more
- Auto restart
- 46°F freeze protection
- Included base pan heater
- Anti-corrosive fin coating
- Compatible with DRSTAT101 wired thermostat

SYSTEM DATA	
Refrigerant Type	R-454B
Refrigerant Charge (oz. (kg))	48.0 (1.4)
Design Pressure (PSIG)	550/340
Indoor/ Outdoor Coil Coating	Golden Fin Coating

EFFICIENCY DATA	
SEER2	24.0
EER2	13.5
HSPF2	11.1
COP at 47°F (8°C) ²	3.81
COP at 17°F (-8°C) ³	2.60
COP at 5°F (-15°C) ⁴	2.35

CAPACITIES		
Cooling Capacity (BTU/hr)	Rated at 95°F (35°C) ¹	18000
	at 109° (43°C)	14500
	at 5° (-15°C)	20500
	Cooling Range	3600~20000
Heating Capacity (BTU/hr)	Rated at 47°F (8°C) ²	18000
	Rated at 17°F (-8°C) ³	13000
	Rated at 5°F ⁴	13000
	at -13° (-25°C)	7900
	Heating Range	7600~22000



Specifications are subject to change without notice.
 © 2025 Ferguson Enterprises LLC
 www.durastar.com



18,000 BTU/H WALL MOUNTED HEAT PUMP SYSTEM

SPECIFICATIONS

LINE SET REQUIREMENTS	
Connection Type	Flare
Liquid (in. (mm))	Ø1/4 (Ø6.35)
Gas (in. (mm))	Ø1/2 (Ø12.7)
Pre-Charge Length (ft. (m))	25 (7.5)
Minimum Length (ft. (m))	10 (3.0)
Maximum Length (ft. (m))	98 (30.0)
Maximum Height Differential (ft. (m))	66 (20.0)
Additional Refrigerant (oz./ft (g/m))	0.16 (15)

OUTDOOR UNIT		
Unit Dimensions (in. (mm))	Width	35-1/16 (890)
	Depth	13-7/16 (342)
	Height	26-1/2 (673)
Carton Dimensions (in. (mm))	Width	39-3/16 (995)
	Depth	15-11/16 (398)
	Height	29-3/16 (740)
Net Weight (lbs. (kg))	92.6 (42.0)	
Gross Weight (lbs. (kg))	100.3 (45.5)	
Cooling Operating Temp. (°F (°C))	-13 - 122 (-25 - 50)	
Heating Operating Temp. (°F (°C))	-13 - 75 (-25 - 24)	
Voltage/Phase/Frequency	208-230V, 1 Phase, 60 Hz	
Voltage Range	187-253V	
Recommended Breaker (Amps)	20	
Minimum Circuit Ampacity (Amps)	18	
Communication Wire Size	14*4 AWG Stranded	
Rated Current - Cooling (Amps) ¹	6.0	
Rated Current - Heating (Amps) ²	6.2	
Sound Pressure (dB(A))	59	

INDOOR UNIT		
Unit Dimensions (in. (mm))	Width	42-5/8 (1082)
	Depth	9-1/4 (234)
	Height	13-1/4 (337)
Carton Dimensions (in. (mm))	Width	45-1/2 (1155)
	Depth	12-7/16 (315)
	Height	16-5/16 (415)
Net Weight (lbs. (kg))	30.4 (13.8)	
Gross Weight (lbs. (kg))	39.7 (18.0)	
Indoor Unit Air Flow (CFM (m ³ /h))	Low	371 (630)
	Medium	441 (750)
	High	500 (850)
	Turbo	759 (1290)
Moisture Removal (Pints/day (L/h))	71 (1.4)	
Drain Port O.D. (in. (mm))	Ø5/8 (Ø16)	
Recommended Breaker (Amps)	15	
Minimum Circuit Ampacity (Amps)	3.0	
Sound Pressure (dB(A))	Silent	20
	Low	26
	Medium	40
	High	45
	Turbo	54

COMPRESSOR	
Type	DC Rotary Inverter
Oil Type	Ester Oil VG74
Oil Charge (oz. (ml))	14.9 (440)

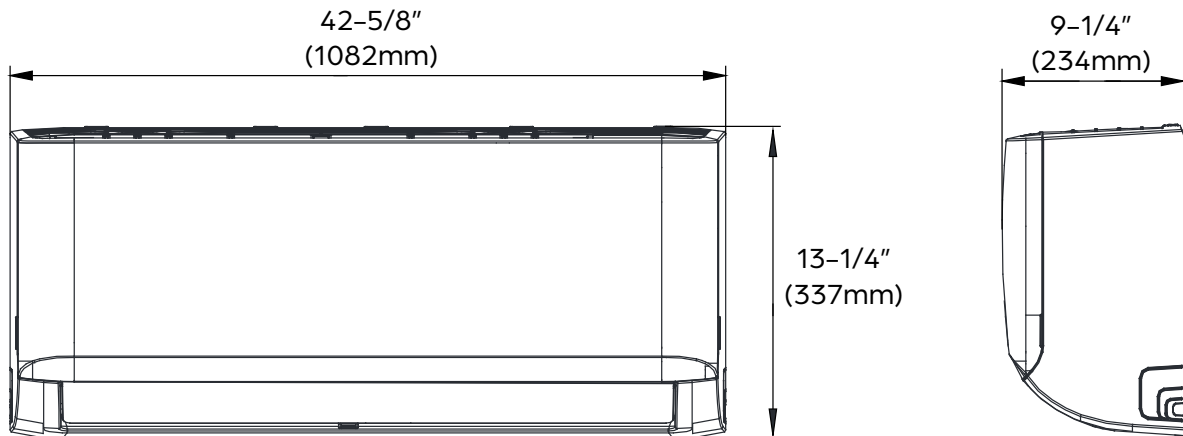
¹ Value at AHR1 Rated Capacity at 95°F (35°C) (AFull)
² Value at AHR1 Rated Capacity at 47°F (8°C) (H1Full)
³ Value at AHR1 Rated Capacity at 17°F (-8°C) (H32)
⁴ Value at AHR1 Rated Capacity at 5°F (-15°C) (H42)



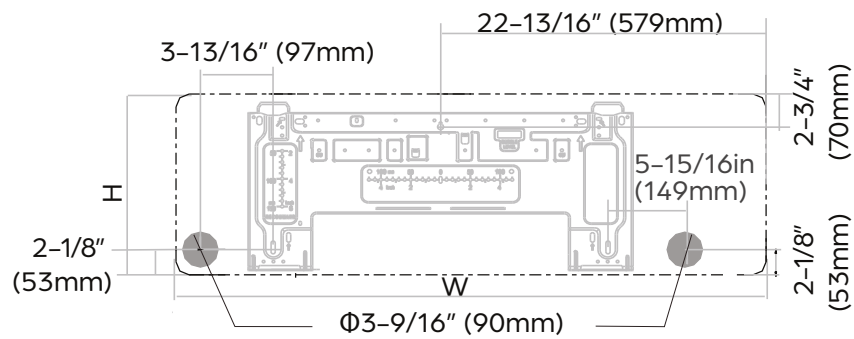
18,000 BTU/H WALL MOUNTED HEAT PUMP SYSTEM

IDU DIMENSIONS - DRAW18F2A

Unit Dimensions

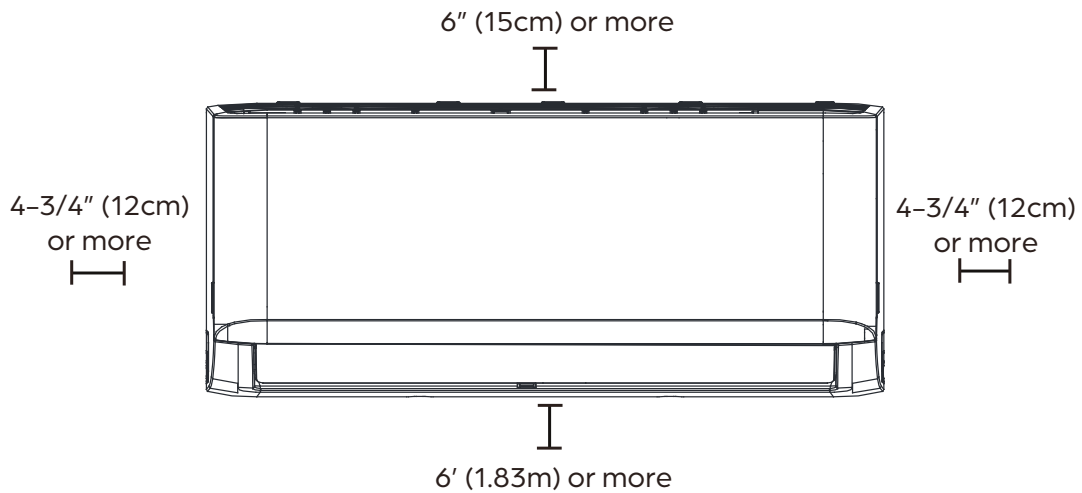


Mounting Plate Dimensions



Indoor unit dimensions (WxH):
42-5/8" (1082mm) x 13-1/4" (337mm)

Clearance Distances

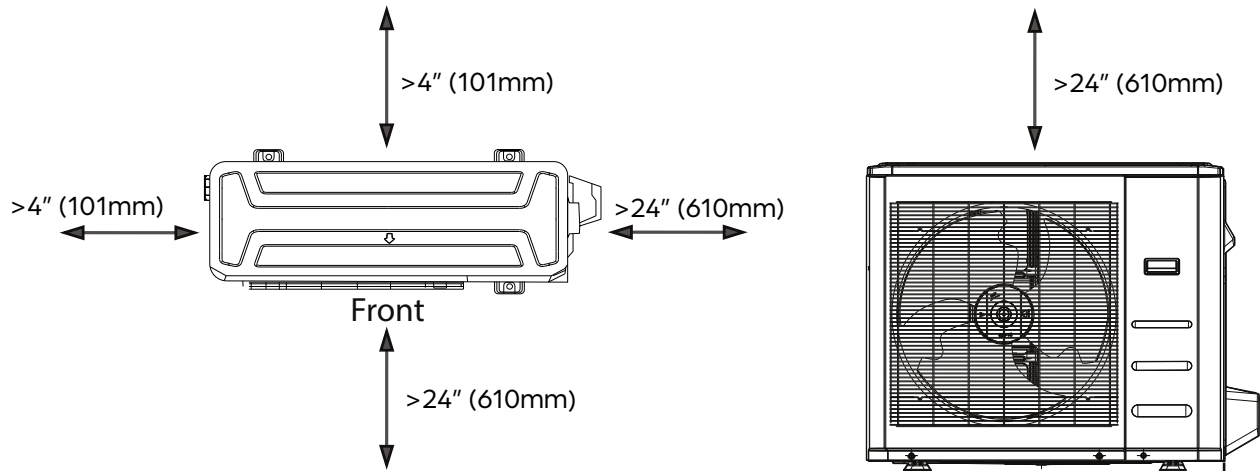




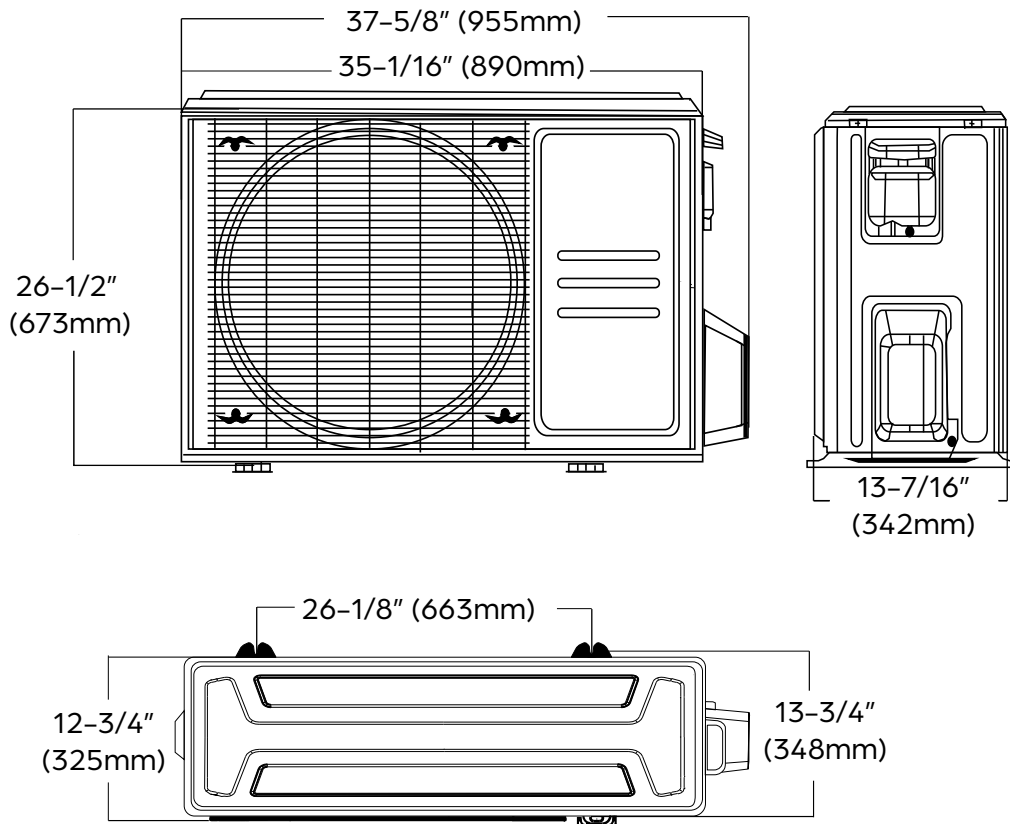
18,000 BTU/H WALL MOUNTED HEAT PUMP SYSTEM

ODU DIMENSIONS - DRA1U18S2A

Clearances



Dimensions



NOTE

Illustrations in this document are for explanatory purposes. The actual shape of your mini-split equipment may vary slightly.