



SIRIUS HEAT™

AIR HANDLER AND SIRIUS HEAT™ SIDE DISCHARGE HEAT PUMP SYSTEM

SUBMITTAL COVER SHEET

PROJECT NAME _____

LOCATION _____

ARCHITECT _____

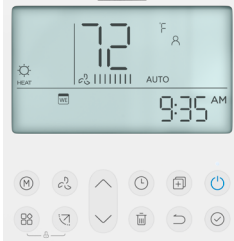
ENGINEER _____

CONTRACTOR _____

REFERENCE _____

SUBMITTED BY _____ DATE _____

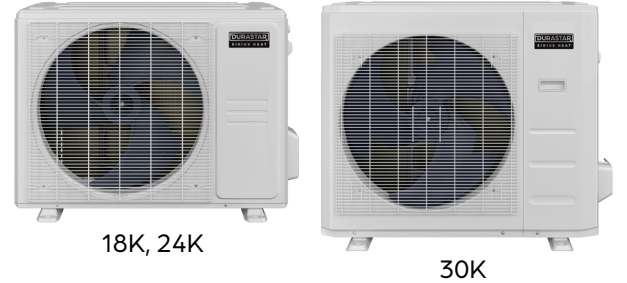
Thermostat Model Number
DRSTAT101



Air Handler Model Number	BTU
DRUM1824S2A	18K-24K
DRUM3036S2A	30K-36K
DRUM4260S2A	42K-60K



Outdoor Unit Model Number	BTU
DRU1H18S2A	18K
DRU1H24S2A	24K
DRU1H30S2A	30K
DRU1H36S2A	36K
DRU1H42S2A	42K
DRU1H48S2A	48K
DRU1H49S2A	49K
DRU1H60S2A	60K



PRODUCT FEATURES

- High heating capacity at 0°F
- High-efficiency constant volume variable speed motor
- Several tax credit eligible, ENERGY STAR certified, pairings
- Multi-position installation: horizontal and vertical
- 115V convertible air handler
- Automatic BTU identification
- Built-in dehumidifier, humidifier, and IAQ ports
- All aluminum coil
- Anti-corrosive coil fin coating
- Low ambient heating down to -22°F
- Low ambient cooling down to -22°F
- Refrigerant leak detection system installed
- Base pan heater installed
- DRSTAT101 programmable wired thermostat included
- Automatic airflow configuration technology
- Multiple operation modes (Cool, Heat, Aux, Dry, Fan, Auto)
- 24V thermostat compatible
- Optional electric heat (not included)
- Single insulated linesets allowed
- Indoor and outdoor powered separately

Specifications are subject to change without notice.

© 2024 Ferguson Enterprises LLC

www.durastar.com





SIRIUS HEAT™

**AIR HANDLER AND SIRIUS HEAT™
SIDE DISCHARGE HEAT PUMP SYSTEM**

SPECIFICATIONS

CLICK TO
SELECT PAIRING →

Indoor Unit Model	DRUM1824S2A	DRUM1824S2A	DRUM3036S2A	DRUM3036S2A	DRUM4260S2A	DRUM4260S2A	DRUM4260S2A	DRUM4260S2A	DRUM4260S2A
Outdoor Unit Model	DRU1H18S2A	DRU1H24S2A	DRU1H30S2A	DRU1H36S2A	DRU1H42S2A	DRU1H48S2A	DRU1H49S2A	DRU1H60S2A	DRU1H60S2A

Power Supply

Indoor Unit Model	DRUM1824S2A	DRUM1824S2A	DRUM3036S2A	DRUM3036S2A	DRUM4260S2A	DRUM4260S2A	DRUM4260S2A	DRUM4260S2A	DRUM4260S2A
Outdoor Unit Model	DRU1H18S2A	DRU1H24S2A	DRU1H30S2A	DRU1H36S2A	DRU1H42S2A	DRU1H48S2A	DRU1H49S2A	DRU1H60S2A	DRU1H60S2A
Attribute	Unit								
Indoor Power Supply	(Volts; Hz; Phase)	115/208/230V; 60 Hz; 1 Ph	115/208/230V; 60 Hz; 1 Ph	115/208/230V; 60 Hz; 1 Ph	115/208/230V; 60 Hz; 1 Ph	115/208/230V; 60 Hz; 1 Ph	115/208/230V; 60 Hz; 1 Ph	115/208/230V; 60 Hz; 1 Ph	115/208/230V; 60 Hz; 1 Ph
Outdoor Power Supply	(Volts; Hz; Phase)	208/230V; 60 Hz; 1 Ph	208/230V; 60 Hz; 1 Ph	208/230V; 60 Hz; 1 Ph	208/230V; 60 Hz; 1 Ph	208/230V; 60 Hz; 1 Ph	208/230V; 60 Hz; 1 Ph	208/230V; 60 Hz; 1 Ph	208/230V; 60 Hz; 1 Ph

Cooling Ratings and Capacities

Indoor Unit Model	DRUM1824S2A	DRUM1824S2A	DRUM3036S2A	DRUM3036S2A	DRUM4260S2A	DRUM4260S2A	DRUM4260S2A	DRUM4260S2A	DRUM4260S2A
Outdoor Unit Model	DRU1H18S2A	DRU1H24S2A	DRU1H30S2A	DRU1H36S2A	DRU1H42S2A	DRU1H48S2A	DRU1H49S2A	DRU1H60S2A	DRU1H60S2A
Attribute	Unit								
SEER2	BTU/h/W	19	18.3	16.8	17.4	16.7	16.5	16.3	16
EER2	BTU/h/W	12.5	11.7	11.7	11.7	11.7	10.5	11.7	10
Rated Cooling Capacity	BTU/h	18000	23000	30000	36000	42000	48000	48000	54000
Cooling Capacity Range	BTU/h	5600~22000	7200~27000	12800~39000	9700~42000	15600~51000	15600~51000	11400~56300	11400~56300
Cooling Input	W	1445	1965	2567	3076	4690	4690	5400	5400
Cooling Current	A	6.6	9	11.4	13.4	20	20	23.3	23.3
Cooling Input Range	W	440 ~ 1950	530 ~ 2870	850 ~ 3620	820 ~ 4440	1350 ~ 5180	1350 ~ 5180	1540 ~ 6430	1540 ~ 6430
Cooling Current Range	A	2 ~9.5	3.4 ~12.6	4.1 ~15.9	5.6 ~19.7	6.4 ~22.9	6.4 ~22.9	7.2 ~28.4	7.2 ~28.4
Cooling at 109°F (43°C) Rated Capacity	BTU/h	17400	25000	32400	35000	41200	41200	50900	50900
Cooling at 5°F (-15°C)	BTU/h	23400	25600	38000	40000	56500	56500	54000	54000
Moisture Removal	Pints/day (L/h)	83.7 (1.65)	104.0 (2.05)	140.5 (2.77)	172.5 (3.4)	195.3 (3.85)	195.3 (3.85)	297.7 (5.87)	297.7 (5.87)

Heating Ratings and Capacities

Indoor Unit Model	DRUM1824S2A	DRUM1824S2A	DRUM3036S2A	DRUM3036S2A	DRUM4260S2A	DRUM4260S2A	DRUM4260S2A	DRUM4260S2A	DRUM4260S2A
Outdoor Unit Model	DRU1H18S2A	DRU1H24S2A	DRU1H30S2A	DRU1H36S2A	DRU1H42S2A	DRU1H48S2A	DRU1H49S2A	DRU1H60S2A	DRU1H60S2A
Attribute	Unit								
HSPF2-4	BTU/h/W	9.7	10	10	10.3	9.5	9.5	9	9
HSPF2-5	BTU/h/W	8	8	8.3	8.6	8	8	8	8
Rated COP	W/W	3.2	3.33	3.65	3.6	3.4	3.4	3.1	3.1
Rated Heating Capacity	BTU/h	19000	24000	34000	37000	50000	50000	56000	56000
Heating Capacity Range	BTU/h	6000~22000	7100~30000	10300~38500	11000~48000	15500~57300	15500~57300	8100~64500	8100~64500
Heating Input	W	1740	2112	2790	3012	4750	4750	5300	5300
Heating Current	A	7.6	9.5	12.4	13.1	20.5	20.5	23.1	23.1

Specifications are subject to change without notice.

© 2024 Ferguson Enterprises LLC

www.durastar.com



SIRIUS HEAT™

**AIR HANDLER AND SIRIUS HEAT™
SIDE DISCHARGE HEAT PUMP SYSTEM**

SPECIFICATIONS

Heating Ratings and Capacities (continued)

Indoor Unit Model		DRUM1824S2A	DRUM1824S2A	DRUM3036S2A	DRUM3036S2A	DRUM4260S2A	DRUM4260S2A	DRUM4260S2A	DRUM4260S2A
Outdoor Unit Model		DRU1H18S2A	DRU1H24S2A	DRU1H30S2A	DRU1H36S2A	DRU1H42S2A	DRU1H48S2A	DRU1H49S2A	DRU1H60S2A
Attribute	Unit								
Heating Input Range	W	500 ~1950	440 ~2730	655 ~3020	665 ~4370	1045 ~5200	1045 ~5200	725 ~5970	725 ~5970
Heating Current Range	A	3.2 ~9.5	2.40 ~12.0	3.6 ~13.3	3.6 ~19.4	5.7 ~23.1	5.7 ~23.1	4.0 ~30.6	4.0 ~30.6
Heating at 17°F (-8.33°C) Rated Capacity (H32)	BTU/h	15000	20000	23800	31800	37000	37000	45000	45000
Heating at 17°F (-8.33°C) COP (H32)	W/W	2.6	2.42	2.77	2.55	2.7	2.7	2.39	2.39
Heating at 5°F (-15°C) Rated Capacity (H42)	BTU/h	18000	21600	32600	39000	46000	46000	52000	52000
Heating at 5°F (-15°C) COP (H42)	W/W	2.0	1.87	1.96	1.9	1.9	1.9	1.8	1.8
Heating at -4°F (-20°C) Rated Capacity	BTU/h	16600	17300	28200	36000	40700	40700	46700	46700
Heating at -13°F (-25°C) Rated Capacity	BTU/h	14000	14400	23400	30800	34200	34200	41600	41600
Heating at -22°F (-30°C) Rated Capacity	BTU/h	11000	12000	20100	27800	25900	25900	30900	30900

Electrical Specifications

Indoor Unit Model		DRUM1824S2A	DRUM1824S2A	DRUM3036S2A	DRUM3036S2A	DRUM4260S2A	DRUM4260S2A	DRUM4260S2A	DRUM4260S2A
Outdoor Unit Model		DRU1H18S2A	DRU1H24S2A	DRU1H30S2A	DRU1H36S2A	DRU1H42S2A	DRU1H48S2A	DRU1H49S2A	DRU1H60S2A
Attribute	Unit								
Indoor Minimum Circuit Ampacity (115V/208/230V)	A	5.5/4.0	5.5/4.0	8.0/6.0	8.0/6.0	14.5/11.0	14.5/11.0	14.5/11.0	14.5/11.0
Indoor Max Fuse (MOCP)	A	15	15	15	15	15	15	15	15
Outdoor Minimum Circuit Ampacity	A	16	19	29.5	29	38	38	40	40
Outdoor Max Fuse (MOCP)	A	20	20	30	30	40	40	40	40
Minimum Communication Wiring Gauge	AWG	20	20	20	20	20	20	20	20
Indoor Fan Motor RLA	A	2	3	4.5	4.5	7.8	7.8	8.3	8.3
Outdoor Fan Motor RLA	A	0.9	1	1.5	2.4	2	2	1.2	1.2
Outdoor Compressor RLA	A	10.5	14	22.4	20.5	28	28	31	31
Indoor Motor Output	W	250	250	375	375	750	750	750	750
Outdoor Fan Motor Output	W	80	80	120	250	250	250	2 x 85	2 x 85

Specifications are subject to change without notice.

© 2024 Ferguson Enterprises LLC

www.durastar.com



SIRIUS HEAT™

**AIR HANDLER AND SIRIUS HEAT™
SIDE DISCHARGE HEAT PUMP SYSTEM**

SPECIFICATIONS

Refrigerant Specifications

Indoor Unit Model		DRUM1824S2A	DRUM1824S2A	DRUM3036S2A	DRUM3036S2A	DRUM4260S2A	DRUM4260S2A	DRUM4260S2A	DRUM4260S2A
Outdoor Unit Model		DRU1H18S2A	DRU1H24S2A	DRU1H30S2A	DRU1H36S2A	DRU1H42S2A	DRU1H48S2A	DRU1H49S2A	DRU1H60S2A
Attribute	Unit								
Design Pressure	PSI	550 / 340	550 / 340	520 / 340	550 / 340	550 / 340	550 / 340	550 / 340	550 / 340
Outdoor Refrigerant Type		R-454B	R-454B	R-454B	R-454B	R-454B	R-454B	R-454B	R-454B
Outdoor Refrigerant Charge	oz (kg)	74.08 (2.1)	74.08 (2.1)	105.82 (3)	126.99 (3.6)	134.04 (3.8)	134.04 (3.8)	183.42 (5.2)	183.42 (5.2)
Additional Refrigerant Charge	oz/ft (g/m)	0.69 (65)	0.69 (65)	0.69 (65)	0.69 (65)	0.69 (65)	0.69 (65)	0.69 (65)	0.69 (65)
Outdoor Throttle Type		EEV	EEV	EEV	EEV	EEV	EEV	EEV	EEV
Liquid Side	inch (mm)	3/8 (9.52)	3/8 (9.52)	3/8 (9.52)	3/8 (9.52)	3/8 (9.52)	3/8 (9.52)	3/8 (9.52)	3/8 (9.52)
Gas Side	inch (mm)	3/4 (19)	3/4 (19)	3/4 (19)	3/4 (19)	3/4 (19)	3/4 (19)	3/4 (19)	3/4 (19)
Max. Refrigerant Pipe Length	ft (m)	98.4 (30)	164 (50)	164 (50)	246 (75)	246 (75)	246 (75)	246 (75)	246 (75)
Max. Height Difference (IDU vs ODU)	ft (m)	65.6 (20)	82 (25)	82 (25)	98.4 (30)	98.4 (30)	98.4 (30)	98.4 (30)	98.4 (30)
Outdoor Compressor Type		Rotary Inverter	Rotary Inverter	Rotary Inverter	Twin-Rotary Inverter	Rotary Inverter	Rotary Inverter	Twin-Rotary Inverter	Twin-Rotary Inverter
Outdoor Refrigerant Oil		VG74	VG74	HAF68D1A	VG75	HAF68D1C	HAF68D1C	VG75	VG75
Outdoor Refrigerant Oil Charge	mL	620	620	1300	1460	1800	1800	1300	1300

Air Flow and Motor Speeds

Indoor Unit Model		DRUM1824S2A	DRUM1824S2A	DRUM3036S2A	DRUM3036S2A	DRUM4260S2A	DRUM4260S2A	DRUM4260S2A	DRUM4260S2A
Outdoor Unit Model		DRU1H18S2A	DRU1H24S2A	DRU1H30S2A	DRU1H36S2A	DRU1H42S2A	DRU1H48S2A	DRU1H49S2A	DRU1H60S2A
Attribute	Unit								
Indoor Air Flow (Turbo/Hi/Mi/Lo)	CFM	618.0 / 576.8 / 529.7 / 488.5	824.0 / 759.3 / 694.5 / 629.8	988.8 / 894.7 / 806.4 / 712.2	1189.0 / 1083.0 / 971.2 / 865.2	1601.0 / 1471.5 / 1283.1 / 1094.8	1601.0 / 1471.5 / 1283.1 / 1094.8	1807.0 / 1583.3 / 1359.7 / 1136.0	1807.0 / 1583.3 / 1359.7 / 1136.0
Indoor Air Flow (Turbo/Hi/Mi/Lo)	m ³ /h	1050 / 980 / 900 / 830	1400 / 1290 / 1180 / 1070	1680 / 1520 / 1370 / 1210	2020 / 1840 / 1650 / 1470	2720 / 2500 / 2180 / 1860	2720 / 2500 / 2180 / 1860	3070 / 2690 / 2310 / 1930	3070 / 2690 / 2310 / 1930
Indoor Noise Level (Turbo/Hi/Mi/Lo)	dB(A)	N/A / 41 / 39 / 33	N/A / 44 / 42 / 28	47.0 / 46.0 / 43.0 / 27.5	49 / 48.0 / 45.5 / 25.5	N/A / 52 / 50 / 34	N/A / 52 / 50 / 34	54.5 / 52 / 49.5 / 34.5	54.5 / 52 / 49.5 / 34.5
Outdoor Air Flow	CFM	1765.7	1765.7	3001.8	3001.8	3037.1	3037.1	2648.6	2648.6
Outdoor Air Flow	m ³ /h	3000	3000	5100	5100	5160	5160	4500	4500
Outdoor Fan Motor Speed (Hi/Mid/Lo)	r/min	780 / 700 / 550	810 / 700 / 450	950 / 850 / 750	800 / 750 / 650	850 / 800 / 750 / 650	850 / 800 / 750 / 650	1000 / 900 / 750 / 650	1000 / 900 / 750 / 650
Outdoor Fan 2 Motor Speed (Hi/Mid/Lo)	r/min	/	/	/	/	/	/	1000 / 900 / 750 / 650	1000 / 900 / 750 / 650
Outdoor Noise Level (Hi)	dB(A)	59	60	60.5	62.5	65	65	65	65

Specifications are subject to change without notice.

© 2024 Ferguson Enterprises LLC

www.durastar.com



SIRIUS HEAT™

**AIR HANDLER AND SIRIUS HEAT™
SIDE DISCHARGE HEAT PUMP SYSTEM**

SPECIFICATIONS

Operational Temperatures

Indoor Unit Model		DRUM1824S2A	DRUM1824S2A	DRUM3036S2A	DRUM3036S2A	DRUM4260S2A	DRUM4260S2A	DRUM4260S2A	DRUM4260S2A
Outdoor Unit Model		DRU1H18S2A	DRU1H24S2A	DRU1H30S2A	DRU1H36S2A	DRU1H42S2A	DRU1H48S2A	DRU1H49S2A	DRU1H60S2A
Attribute	Unit								
Indoor Operating Range (Cooling)	°F (°C)	60 – 90 (16 – 32)	60 – 90 (16 – 32)	60 – 90 (16 – 32)	60 – 90 (16 – 32)	60 – 90 (16 – 32)	60 – 90 (16 – 32)	60 – 90 (16 – 32)	60 – 90 (16 – 32)
Outdoor Operating Range (Cooling)	°F (°C)	-22 – 122 (-30 – 50)	-22 – 122 (-30 – 50)	-22 – 122 (-30 – 50)	-22 – 122 (-30 – 50)	-22 – 122 (-30 – 50)	-22 – 122 (-30 – 50)	-22 – 122 (-30 – 50)	-22 – 122 (-30 – 50)
Indoor Operating Range (Heating)	°F (°C)	32 – 86 (0 – 30)	32 – 86 (0 – 30)	32 – 86 (0 – 30)	32 – 86 (0 – 30)	32 – 86 (0 – 30)	32 – 86 (0 – 30)	32 – 86 (0 – 30)	32 – 86 (0 – 30)
Outdoor Operating Range (Heating)	°F (°C)	-22 – 75 (-30 – 24)	-22 – 75 (-30 – 24)	-22 – 75 (-30 – 24)	-22 – 75 (-30 – 24)	-22 – 75 (-30 – 24)	-22 – 75 (-30 – 24)	-22 – 75 (-30 – 24)	-22 – 75 (-30 – 24)

Dimensions (see diagrams following)

Indoor Unit Model		DRUM1824S2A	DRUM1824S2A	DRUM3036S2A	DRUM3036S2A	DRUM4260S2A	DRUM4260S2A	DRUM4260S2A	DRUM4260S2A
Outdoor Unit Model		DRU1H18S2A	DRU1H24S2A	DRU1H30S2A	DRU1H36S2A	DRU1H42S2A	DRU1H48S2A	DRU1H49S2A	DRU1H60S2A
Attribute	Unit								
Indoor Unit Net/Gross Weight	lb	105.82/126.76	105.60/127.43	128.97/153.44	129.41/153.88	162.92/190.92	162.92/190.92	162.92/190.92	162.92/190.92
Indoor Unit Net/Gross Weight	kg	48/57.5	47.9/57.8	58.5/69.6	58.7/69.8	73.9/86.6	73.9/86.6	73.9/86.6	73.9/86.6
Indoor Package Dimension (WxDxH)	inch	26.57 x 20.87 x 48.62	26.57 x 20.87 x 48.62	26.57 x 24.41 x 52.56	26.57 x 24.41 x 52.56	27.95 x 26.77 x 56.50	27.95 x 26.77 x 56.50	27.95 x 26.77 x 56.50	27.95 x 26.77 x 56.50
Indoor Package Dimension (WxDxH)	mm	675x530x1235	675x530x1235	675x620x1335	675x620x1335	710x680x1435	710x680x1435	710x680x1435	710x680x1435
Outdoor Unit Net/Gross Weight	lb	101.41/109.13	102.29/109.13	164.02/174.60	204.15/235.23	201.06/232.36	201.06/232.36	242.95/275.13	242.95/275.13
Outdoor Unit Net/Gross Weight	kg	46/49.5	46.4/49.5	74.4/79.2	92.6/106.7	91.2/105.4	91.2/105.4	110.2/124.8	110.2/124.8
Outdoor Package Dimension (WxDxH)	inch	39.17 x 15.67 x 29.13	39.17 x 15.67 x 29.13	42.91 x 19.68 x 34.84	45.08 x 19.68 x 42.52	45.08 x 19.68 x 42.52	45.08 x 19.68 x 42.52	43.11 x 19.49 x 58.27	43.11 x 19.49 x 58.27
Outdoor Item Package Dimension (WxDxH)	mm	995x398x740	995x398x740	1090x500x885	1145x500x1080	1145x500x1080	1145x500x1080	1095x495x1480	1095x495x1480

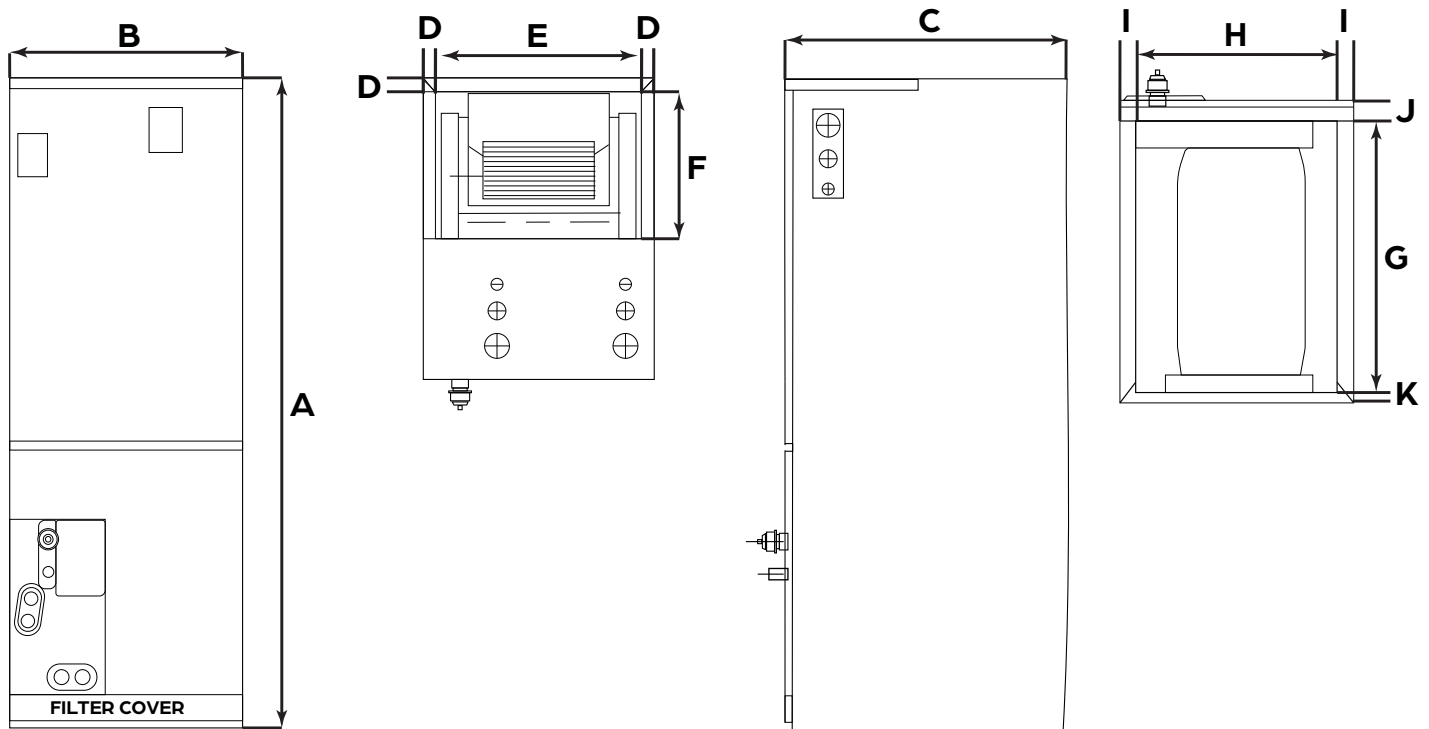


SIRIUS HEAT™

**AIR HANDLER AND SIRIUS HEAT™
SIDE DISCHARGE HEAT PUMP SYSTEM**

INDOOR DIMENSIONS

Indoor Unit Dimensions



Model		DRUM1824S2A		DRUM3036S2A		DRUM4260S2A	
Units		inch	mm	inch	mm	inch	mm
A	Model Height	45	1143	49	1245	53	1346
B	Model Width	17-1/2	445	21	534	24-1/2	622
C	Model Depth	21	534	21	534	21	534
D	Supply Air Opening Clearance	15/16	24	15/16	24	15/16	24
E	Supply Air Opening Width	15-5/8	397	19-1/8	486	22-5/8	575
F	Supply Air Opening Depth	10-1/4	260	10-1/4	260	10-1/4	260
G	Return Air Opening Depth	18-3/4	476	18-3/4	476	18-3/4	476
H	Return Air Opening Width	15-1/8	384	18-5/8	473	22-1/8	562
I	Return Air Opening Side Clearance	1-1/4	32	1-1/4	32	1-1/8	28
J	Return Air Opening Front Clearance	1-1/2	38	1-5/8	41	1-5/8	41
K	Return Air Opening Back Clearance	5/8	16	5/8	16	3/4	19

Specifications are subject to change without notice.

© 2024 Ferguson Enterprises LLC

www.durastar.com

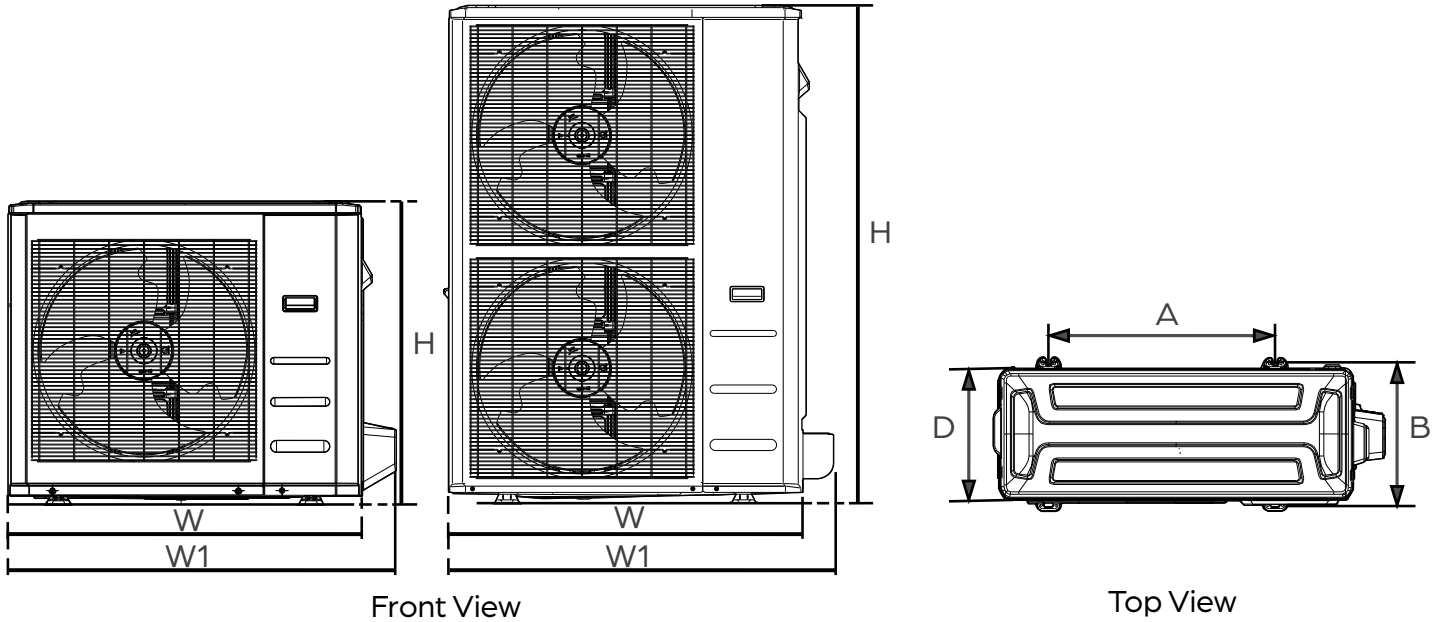


SIRIUS HEAT™

**AIR HANDLER AND SIRIUS HEAT™
SIDE DISCHARGE HEAT PUMP SYSTEM**

OUTDOOR DIMENSIONS

Outdoor Unit Dimensions

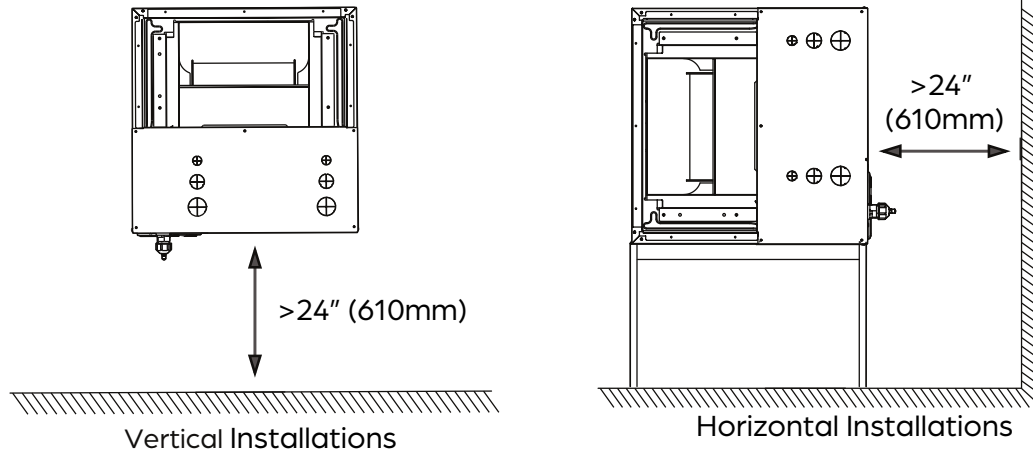
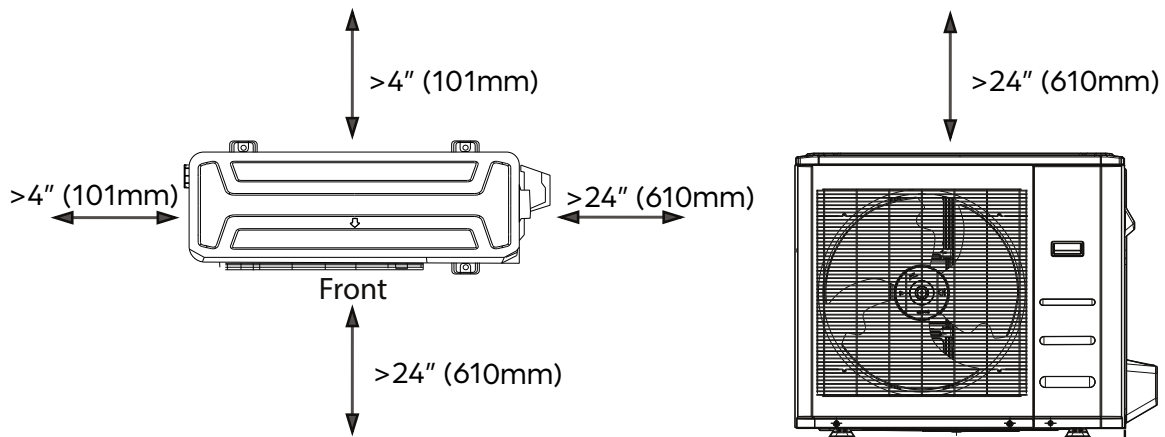


Model	W		W1		H		D		A		B	
	inch	mm	inch	mm	inch	mm	inch	mm	inch	mm	inch	mm
DRU1H18S2A	35	890	37-5/8	955	26-1/2	673	13-7/16	342	26-1/8	663	13-3/4	348
DRU1H24S2A	35	890	37-5/8	955	26-1/2	673	13-7/16	342	26-1/8	663	13-3/4	348
DRU1H30S2A	37-1/4	946	40-1/2	1030	31-15/16	810	16-3/16	410	26-1/2	673	15-7/8	403
DRU1H36S2A	38-9/16	980	42-1/4	1073	38-3/8	975	16-3/8	415	24-1/4	616	15-5/8	397
DRU1H42S2A	38-9/16	980	42-1/4	1073	38-3/8	975	16-3/8	415	24-1/4	616	15-5/8	397
DRU1H48S2A	38-9/16	980	42-1/4	1073	38-3/8	975	16-3/8	415	24-1/4	616	15-5/8	397
DRU1H49S2A	37-1/2	952	41-1/8	1045	52-1/2	1333	16-3/8	415	24	634	15-15/16	404
DRU1H60S2A	37-1/2	952	41-1/8	1045	52-1/2	1333	16-3/8	415	24	634	15-15/16	404

Specifications are subject to change without notice.

© 2024 Ferguson Enterprises LLC

www.durastar.com

Indoor Unit Clearances**Outdoor Unit Clearances****NOTE**

Illustrations in this document are for explanatory purposes. The actual shape of your equipment may vary slightly.



SIRIUS HEAT™

**AIR HANDLER AND SIRIUS HEAT™
SIDE DISCHARGE HEAT PUMP SYSTEM**

AUXILIARY HEATER SPECIFICATIONS

Auxiliary Electric Heaters (Optional)

Heater Model Number (kW)	Circuit 1 208/230V			Circuit 2 208/230V		
	Heater Amps (1)	MCA (1)	MOCP (1)	Heater Amps (2)	MCA (2)	MOCP (2)
DRHTR03BRKB (3kW)	10.8/ 12.0	14.0/ 16.0	15.0/ 20.0			
DRHTR05BRKB (5kW)	18.0/ 20.0	23.0/ 27.0	25.0/ 30.0			
DRHTR08BRKB (8kW)	28.8/ 32.0	37.0/ 42.0	40.0/ 45.0			
DRHTR10BRKB (10kW)	36.0/ 40.0	46.0/ 53.0	50.0/ 60.0			
DRHTR15BRKB (15kW)	18.0/ 20.0	23.0/ 27.0	25.0/ 30.0	36.0/ 40.0	46.0/ 53.0	50.0/ 60.0
DRHTR20BRKB (20kW)	36.0/ 40.0	46.0/ 53.0	50.0/ 60.0	36.0/ 40.0	46.0/ 53.0	50.0/ 60.0

Air Handler BTU Setting and Heater Compatibility

BTU Setting	3kW	5kW	8kW	10kW	15kW	20kW
18K	Y	Y	Y	Y		
24K		Y	Y	Y	Y	
30K		Y	Y	Y	Y	
36K		Y	Y	Y	Y	
42-48K			Y	Y	Y	Y
60K				Y	Y	Y