

PROJECT NAME _____

LOCATION _____

ARCHITECT _____

ENGINEER _____

CONTRACTOR _____

REFERENCE _____

SUBMITTED BY _____ DATE _____

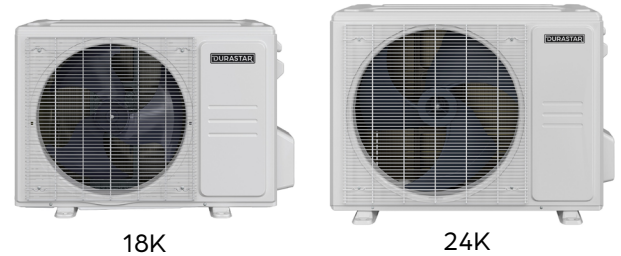
Thermostat Model Number
DRSTAT101



Air Handler Model Number	BTU
DRUM1824S2A	18K-24K
DRUM3036S2A	30K-36K
DRUM4260S2A	42K-60K



Outdoor Unit Model Number	BTU
DRU1U18S2A	18K
DRU1U24S2A	24K
DRU1U30S2A	30K
DRU1U36S2A	36K
DRU1U48S2A	48K
DRU1U60S2A	60K



PRODUCT FEATURES

- High-efficiency constant volume variable speed motor
- Several tax credit eligible, ENERGY STAR certified, pairings
- Multi-position installation: horizontal and vertical
- 115V convertible air handler
- Automatic BTU identification
- Built-in dehumidifier, humidifier, and IAQ ports
- All-aluminum coil
- Anti-corrosive coil fin coating
- Low ambient heating down to -13°F
- Low ambient cooling down to -13°F
- Refrigerant leak detection system installed
- Base pan heater installed
- DRSTAT101 programmable wired thermostat included
- Automatic airflow configuration technology
- Multiple operation modes (Cool, Heat, Aux, Dry, Fan, Auto)
- 24V thermostat compatible
- Optional electric heat (not included)
- Single insulated linesets allowed
- Indoor and outdoor powered separately





AIR HANDLER AND SIDE DISCHARGE HEAT PUMP SYSTEM

SPECIFICATIONS

CLICK TO
SELECT PAIRING →

Indoor Unit Model	DRUM1824S2A	DRUM1824S2A	DRUM3036S2A	DRUM3036S2A	DRUM4260S2A	DRUM4260S2A
Outdoor Unit Model	DRU1U18S2A	DRU1U24S2A	DRU1U30S2A	DRU1U36S2A	DRU1U48S2A	DRU1U60S2A

Power Supply

Indoor Unit Model	DRUM1824S2A	DRUM1824S2A	DRUM3036S2A	DRUM3036S2A	DRUM4260S2A	DRUM4260S2A
Outdoor Unit Model	DRU1U18S2A	DRU1U24S2A	DRU1U30S2A	DRU1U36S2A	DRU1U48S2A	DRU1U60S2A
Attribute	Unit					
Indoor Power Supply	(Volts; Hz; Phase)	115/208/230V; 60 Hz; 1 Ph	115/208/230V; 60 Hz; 1 Ph	115/208/230V; 60 Hz; 1 Ph	115/208/230V; 60 Hz; 1 Ph	115/208/230V; 60 Hz; 1 Ph
Outdoor Power Supply	(Volts; Hz; Phase)	208/230V; 60 Hz; 1 Ph	208/230V; 60 Hz; 1 Ph	208/230V; 60 Hz; 1 Ph	208/230V; 60 Hz; 1 Ph	208/230V; 60 Hz; 1 Ph

Cooling Ratings and Capacities

Indoor Unit Model	DRUM1824S2A	DRUM1824S2A	DRUM3036S2A	DRUM3036S2A	DRUM4260S2A	DRUM4260S2A
Outdoor Unit Model	DRU1U18S2A	DRU1U24S2A	DRU1U30S2A	DRU1U36S2A	DRU1U48S2A	DRU1U60S2A
Attribute	Unit					
SEER2	BTU/h/W	18.8	18.1	17	16.1	15.2
EER2	BTU/h/W	11.0	11.0	10.7	10.0	8.6
Rated Cooling Capacity	BTU/h	18000	24000	30000	36000	54000
Cooling Capacity Range	BTU/h	5350~20000	7200~27000	10400~34000	8300~38900	16600~49900
Cooling Input	W	1635	2181	2778	3600	6200
Cooling Current	A	7.5	9.5	12.2	15.2	27.4
Cooling Input Range	W	400 ~ 1900	530 ~ 2870	735 ~ 3230	710 ~ 4500	1400 ~ 5350
Cooling Current Range	A	2.8 ~8.5	3.4 ~12.6	3.55 ~14.23	4.7 ~18.3	6.5 ~23.8
Cooling at 109°F (43°C) Rated Capacity	BTU/h	15600	25000	29000	31000	41800
Cooling at 5°F (-15°C)	BTU/h	19600	25600	34000	36000	58000
Moisture Removal	Pints/day (L/h)	86.7 (1.71)	120.7 (2.38)	181.1 (3.57)	183.6 (3.62)	295.2 (5.82)

Heating Ratings and Capacities

Indoor Unit Model	DRUM1824S2A	DRUM1824S2A	DRUM3036S2A	DRUM3036S2A	DRUM4260S2A	DRUM4260S2A
Outdoor Unit Model	DRU1U18S2A	DRU1U24S2A	DRU1U30S2A	DRU1U36S2A	DRU1U48S2A	DRU1U60S2A
Attribute	Unit					
HSPF2-4	BTU/h/W	9.1	9.7	8.5	8.7	8.4
HSPF2-5	BTU/h/W	7	7.7	6.6	7	6.8
Rated COP	W/W	3.15	3.18	3.5	3.4	3.37
Rated Heating Capacity	BTU/h	18000	26000	31000	36000	54000
Heating Capacity Range	BTU/h	5600~19000	7100~30000	6400~32000	6700~41300	15300~49500



AIR HANDLER AND SIDE DISCHARGE HEAT PUMP SYSTEM

SPECIFICATIONS

Heating Ratings and Capacities (continued)

Indoor Unit Model		DRUM1824S2A	DRUM1824S2A	DRUM3036S2A	DRUM3036S2A	DRUM4260S2A	DRUM4260S2A
Outdoor Unit Model		DRU1U18S2A	DRU1U24S2A	DRU1U30S2A	DRU1U36S2A	DRU1U48S2A	DRU1U60S2A
Attribute	Unit						
Heating Input	W	1675	2396	2595	3100	4085	4650
Heating Current	A	7.3	10.4	11.5	13.1	18.3	21
Heating Input Range	W	340 ~1650	440 ~2730	455 ~2550	460 ~3550	1025 ~4650	975 ~4810
Heating Current Range	A	2.6 ~7.5	2.40 ~12.0	2.46 ~11.3	2.5 ~15.6	5.6 ~20.6	6.6 ~21.5
Heating at 17°F (-8.33°C) Rated Capacity (H32)	BTU/h	12600	20000	18500	25600	32400	33000
Heating at 17°F (-8.33°C) COP (H32)	W/W	2.6	2.42	2.4	2.6	2.47	2.34
Heating at 5°F (-15°C) Rated Capacity (H42)	BTU/h	11200	21600	19100	27000	38000	38000
Heating at 5°F (-15°C) COP (H42)	W/W	2	1.87	2	2	1.85	1.8
Heating at -4°F (-20°C) Rated Capacity	BTU/h	9000	17300	15500	25000	34200	33000
Heating at -13°F (-25°C) Rated Capacity	BTU/h	7200	14400	12200	20000	32500	29000

Electrical Specifications

Indoor Unit Model		DRUM1824S2A	DRUM1824S2A	DRUM3036S2A	DRUM3036S2A	DRUM4260S2A	DRUM4260S2A
Outdoor Unit Model		DRU1U18S2A	DRU1U24S2A	DRU1U30S2A	DRU1U36S2A	DRU1U48S2A	DRU1U60S2A
Attribute	Unit						
Indoor Minimum Circuit Ampacity (115V/ 208/230V)	A	5.5/4.0	5.5/4.0	8.0/6.0	8.0/6.0	14.5/11.0	14.5/11.0
Indoor Max Fuse (MOCP)	A	15	15	15	15	15	15
Outdoor Minimum Circuit Ampacity	A	16	19	22.5	24	36	39
Outdoor Max Fuse (MOCP)	A	20	20	25	30	40	40
Minimum Communication Wiring Gauge	AWG	20	20	20	20	20	20
Indoor Fan Motor RLA	A	2	3	4.5	4.5	7.8	8.3
Outdoor Fan Motor RLA	A	0.8	1	1.1	1.5	2	1.2
Outdoor Compressor RLA	A	10	14	17	17.5	27	30
Indoor Motor Output	W	250	250	375	375	750	750
Outdoor Fan Motor Output	W	34	80	120	120	250	250



AIR HANDLER AND SIDE DISCHARGE HEAT PUMP SYSTEM

SPECIFICATIONS

Refrigerant Specifications

Indoor Unit Model		DRUM1824S2A	DRUM1824S2A	DRUM3036S2A	DRUM3036S2A	DRUM4260S2A	DRUM4260S2A
Outdoor Unit Model		DRU1U18S2A	DRU1U24S2A	DRU1U30S2A	DRU1U36S2A	DRU1U48S2A	DRU1U60S2A
Attribute	Unit						
Design Pressure	PSI	550 / 340	550 / 340	550 / 340	550 / 340	550 / 340	550 / 340
Outdoor Refrigerant Type		R-454B	R-454B	R-454B	R-454B	R-454B	R-454B
Outdoor Refrigerant Charge	oz (kg)	51.15 (1.45)	74.08 (2.1)	91.71 (2.6)	116.40 (3.3)	134.04 (3.8)	134.04 (3.8)
Additional Refrigerant Charge	oz/ft (g/m)	0.69 (65)	0.69 (65)	0.69 (65)	0.69 (65)	0.69 (65)	0.69 (65)
Outdoor Throttle Type		EEV	EEV	EEV	EEV	EEV	EEV
Liquid Side	inch (mm)	3/8 (9.52)	3/8 (9.52)	3/8 (9.52)	3/8 (9.52)	3/8 (9.52)	3/8 (9.52)
Gas Side	inch (mm)	3/4 (19)	3/4 (19)	3/4 (19)	3/4 (19)	3/4 (19)	3/4 (19)
Max. Refrigerant Pipe Length	ft (m)	98.4 (30)	164 (50)	164 (50)	246 (75)	246 (75)	246 (75)
Max. Height Difference (IDU vs ODU)	ft (m)	65.6 (20)	82 (25)	82 (25)	98.4 (30)	98.4 (30)	98.4 (30)
Outdoor Compressor Type		Rotary Inverter	Rotary Inverter	Rotary Inverter	Rotary Inverter	Rotary Inverter	Rotary Inverter
Outdoor Refrigerant Oil		VG74	VG74	VG74	VG74	HAF68D1C	HAF68D1C
Outdoor Refrigerant Oil Charge	mL	440	620	670	1000	1800	1800

Air Flow and Motor Speeds

Indoor Unit Model		DRUM1824S2A	DRUM1824S2A	DRUM3036S2A	DRUM3036S2A	DRUM4260S2A	DRUM4260S2A
Outdoor Unit Model		DRU1U18S2A	DRU1U24S2A	DRU1U30S2A	DRU1U36S2A	DRU1U48S2A	DRU1U60S2A
Attribute	Unit						
Indoor Air Flow (Turbo/Hi/Mi/Lo)	CFM	618.0 / 576.8 / 529.7 / 488.5	824.0 / 759.3 / 694.5 / 629.8	988.8 / 894.7 / 806.4 / 712.2	1189.0 / 1083.0 / 971.2 / 865.2	1601.0 / 1471.5 / 1283.1 / 1094.8	1807.0 / 1583.3 / 1359.7 / 1136.0
Indoor Air Flow (Turbo/Hi/Mi/Lo)	m ³ /h	1050 / 980 / 900 / 830	1400 / 1290 / 1180 / 1070	1680 / 1520 / 1370 / 1210	2020 / 1840 / 1650 / 1470	2720 / 2500 / 2180 / 1860	3070 / 2690 / 2310 / 1930
Indoor Noise Level (Turbo/Hi/Mi/Lo)	dB(A)	44/ 43/ 41/ 33	N\A/ 44/ 42/ 28	N\A/ 46/ 42/ 29	N\A/ 48/ 45/ 28	N\A/ 53/ 50/ 44	56.0/ 52.0/ 49.0/ 34.5
Outdoor Air Flow	CFM	1450.9	1765.7	3001.8	2413.2	3037.1	3037.1
Outdoor Air Flow	m ³ /h	2465	3000	5100	4100	5160	5160
Outdoor Fan Motor Speed (Hi/Mid/Lo)	r/min	840/ 700/ 650	810/ 700/ 450	850/ 700/ 500	800/ 750/ 500	850/ 800/ 750/ 650	850/ 800/ 750/ 650
Outdoor Noise Level (Hi)	dB(A)	55	60	60	63	65	65



AIR HANDLER AND SIDE DISCHARGE HEAT PUMP SYSTEM

SPECIFICATIONS

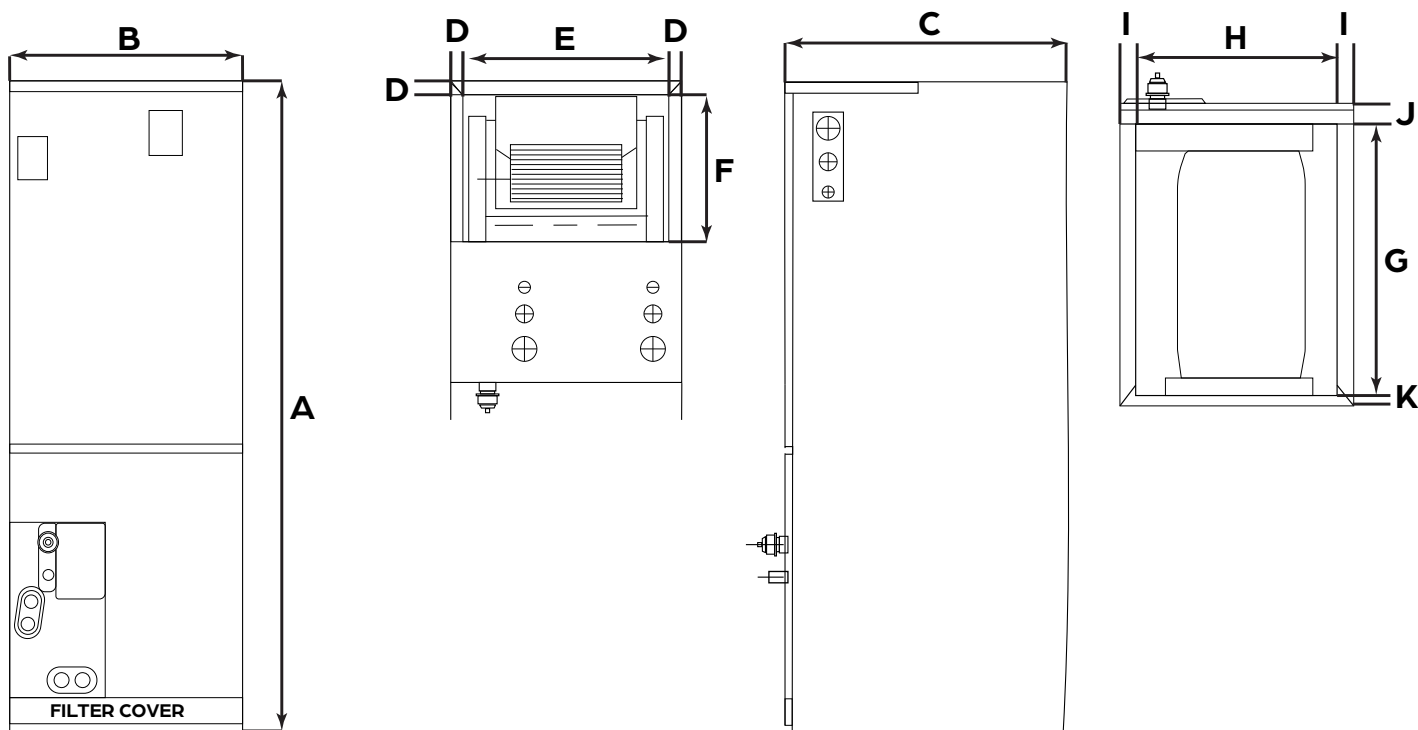
Operational Temperatures

Indoor Unit Model		DRUM1824S2A	DRUM1824S2A	DRUM3036S2A	DRUM3036S2A	DRUM4260S2A	DRUM4260S2A
Outdoor Unit Model		DRU1U18S2A	DRU1U24S2A	DRU1U30S2A	DRU1U36S2A	DRU1U48S2A	DRU1U60S2A
Attribute	Unit						
Indoor Operating Range (Cooling)	°F (°C)	60 - 90 (16 - 32)	60 - 90 (16 - 32)	60 - 90 (16 - 32)	60 - 90 (16 - 32)	60 - 90 (16 - 32)	60 - 90 (16 - 32)
Outdoor Operating Range (Cooling)	°F (°C)	-13 - 122 (-25 - 50)	-13 - 122 (-25 - 50)	-13 - 122 (-25 - 50)	-13 - 122 (-25 - 50)	-13 - 122 (-25 - 50)	-13 - 122 (-25 - 50)
Indoor Operating Range (Heating)	°F (°C)	32 - 86 (0 - 30)	32 - 86 (0 - 30)	32 - 86 (0 - 30)	32 - 86 (0 - 30)	32 - 86 (0 - 30)	32 - 86 (0 - 30)
Outdoor Operating Range (Heating)	°F (°C)	-13 - 75 (-25 - 24)	-13 - 75 (-25 - 24)	-13 - 75 (-25 - 24)	-13 - 75 (-25 - 24)	-13 - 75 (-25 - 24)	-13 - 75 (-25 - 24)

Dimensions (see diagrams following)

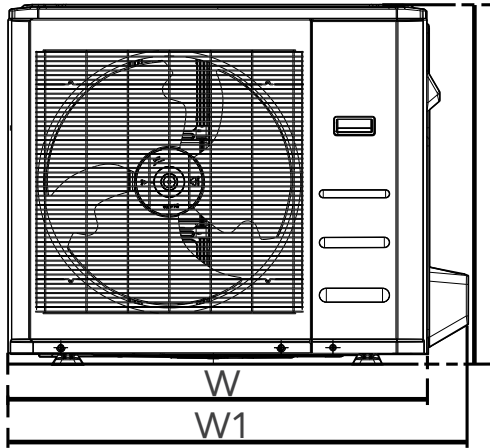
Indoor Unit Model		DRUM1824S2A	DRUM1824S2A	DRUM3036S2A	DRUM3036S2A	DRUM4260S2A	DRUM4260S2A
Outdoor Unit Model		DRU1U18S2A	DRU1U24S2A	DRU1U30S2A	DRU1U36S2A	DRU1U48S2A	DRU1U60S2A
Attribute	Unit						
Indoor Unit Net/ Gross weight	lb	105.82/ 126.76	105.60/ 127.43	128.97/ 153.44	129.41/ 153.88	162.92/ 190.92	162.92/ 190.92
Indoor Unit Net/ Gross weight	kg	48/ 57.5	47.9/ 57.8	58.5/ 69.6	58.7/ 69.8	73.9/ 86.6	73.9/ 86.6
Indoor Package Dimension (WxDxH)	inch	26.57 x 20.87 x 48.62	26.57 x 20.87 x 48.62	26.57 x 24.41 x 52.56	26.57 x 24.41 x 52.56	27.95 x 26.77 x 56.50	27.95 x 26.77 x 56.50
Indoor Package Dimension (WxDxH)	mm	675 x 530 x 1235	675 x 530 x 1235	675 x 620 x 1335	675 x 620 x 1335	710 x 680 x 1435	710 x 680 x 1435
Outdoor Unit Net/ Gross Weight	lb	77.16/ 83.77	102.29/ 109.13	141.76/ 152.34	153.22/ 163.58	192.90/ 224.21	192.90/ 224.21
Outdoor Unit Net/ Gross Weight	kg	35/ 38	46.4/ 49.5	64.3/ 69.1	69.5/ 74.2	87.5/ 101.7	87.5/ 101.7
Outdoor Package Dimension (WxDxH)	inch	36.02 x 14.57 x 24.21	39.17 x 15.67 x 29.13	42.91 x 19.68 x 34.84	42.91 x 19.68 x 34.84	45.08 x 19.68 x 42.52	45.08 x 19.68 x 42.52
Outdoor Package Dimension (WxDxH)	mm	915 x 370 x 615	995 x 398 x 740	1090 x 500 x 885	1090 x 500 x 885	1145 x 500 x 1080	1145 x 500 x 1080

Indoor Unit Dimensions

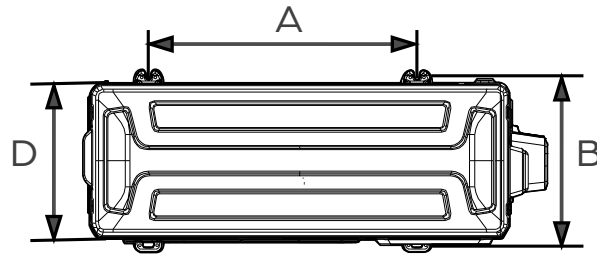


Model		DRUM1824S2A		DRUM3036S2A		DRUM4260S2A	
Units		inch	mm	inch	mm	inch	mm
A	Model Height	45	1143	49	1245	53	1346
B	Model Width	17-1/2	445	21	534	24-1/2	622
C	Model Depth	21	534	21	534	21	534
D	Supply Air Opening Clearance	15/16	24	15/16	24	15/16	24
E	Supply Air Opening Width	15-5/8	397	19-1/8	486	22-5/8	575
F	Supply Air Opening Depth	10-1/4	260	10-1/4	260	10-1/4	260
G	Return Air Opening Depth	18-3/4	476	18-3/4	476	18-3/4	476
H	Return Air Opening Width	15-1/8	384	18-5/8	473	22-1/8	562
I	Return Air Opening Side Clearance	1-1/4	32	1-1/4	32	1-1/8	28
J	Return Air Opening Front Clearance	1-1/2	38	1-5/8	41	1-5/8	41
K	Return Air Opening Back Clearance	5/8	16	5/8	16	3/4	19

Outdoor Unit Dimensions



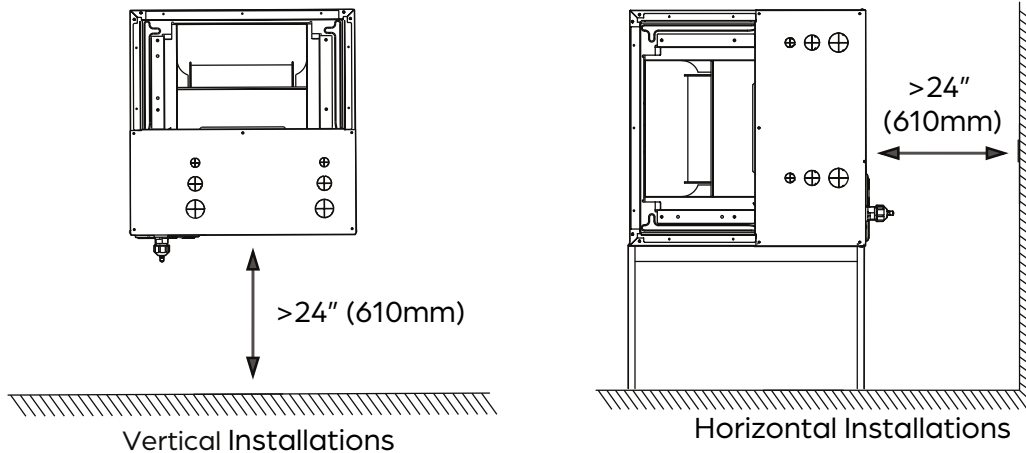
Front View



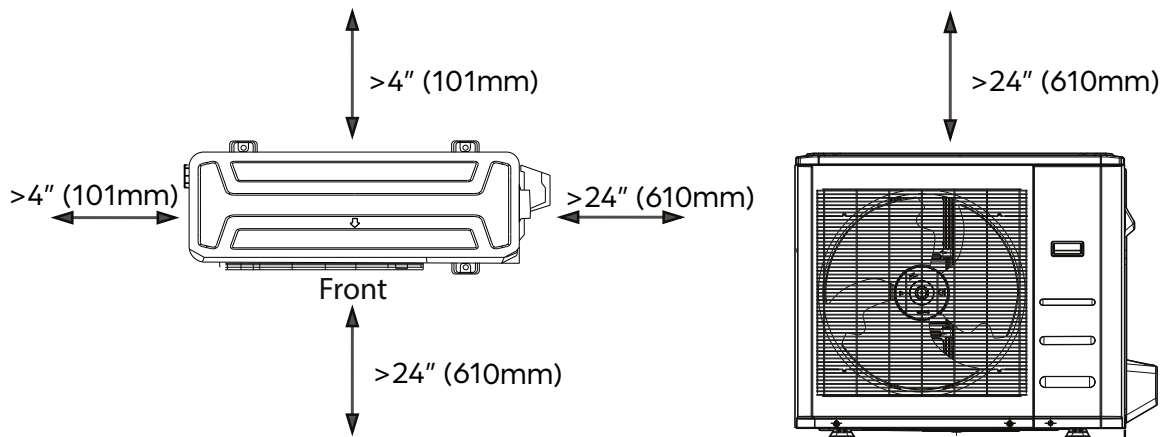
Top View

Model	W		W1		H		D		A		B	
	inch	mm	inch	mm	inch	mm	inch	mm	inch	mm	inch	mm
DRU1U18S2A	31-3/4	805	34-3/8	874	21-3/4	554	13	330	20-1/8	511	12-1/2	317
DRU1U24S2A	35	890	37-5/8	955	26-1/2	673	13-7/16	342	26-1/8	663	13-3/4	348
DRU1U30S2A	37-1/4	946	40-1/2	1030	31-15/16	810	16-3/16	410	26-1/2	673	15-7/8	403
DRU1U36S2A	37-1/4	946	40-1/2	1030	31-15/16	810	16-3/16	410	26-1/2	673	15-7/8	403
DRU1U48S2A	39-1/4	997	42-1/4	1073	38-1/2	977	16-7/8	429	24-1/4	616	15-3/8	391
DRU1U60S2A	39-1/4	997	42-1/4	1073	38-1/2	977	16-7/8	429	24-1/4	616	15-3/8	391

Indoor Unit Clearances



Outdoor Unit Clearances

**NOTE**

Illustrations in this document are for explanatory purposes. The actual shape of your equipment may vary slightly.



AIR HANDLER AND SIDE DISCHARGE HEAT PUMP SYSTEM

AUXILIARY HEATER SPECIFICATIONS

Auxiliary Electric Heaters (Optional)

Heater Model Number (kW)	Circuit 1 208/230V			Circuit 2 208/230V		
	Heater Amps (1)	MCA (1)	MOCP (1)	Heater Amps (2)	MCA (2)	MOCP (2)
DRHTR03BRKB (3kW)	10.8/ 12.0	14.0/ 16.0	15.0/ 20.0			
DRHTR05BRKB (5kW)	18.0/ 20.0	23.0/ 27.0	25.0/ 30.0			
DRHTR08BRKB (8kW)	28.8/ 32.0	37.0/ 42.0	40.0/ 45.0			
DRHTR10BRKB (10kW)	36.0/ 40.0	46.0/ 53.0	50.0/ 60.0			
DRHTR15BRKB (15kW)	18.0/ 20.0	23.0/ 27.0	25.0/ 30.0	36.0/ 40.0	46.0/ 53.0	50.0/ 60.0
DRHTR20BRKB (20kW)	36.0/ 40.0	46.0/ 53.0	50.0/ 60.0	36.0/ 40.0	46.0/ 53.0	50.0/ 60.0

Air Handler BTU Setting and Heater Compatibility

BTU Setting	3kW	5kW	8kW	10kW	15kW	20kW
18K	Y	Y	Y	Y		
24K		Y	Y	Y	Y	
30K		Y	Y	Y	Y	
36K		Y	Y	Y	Y	
42-48K			Y	Y	Y	Y
60K				Y	Y	Y