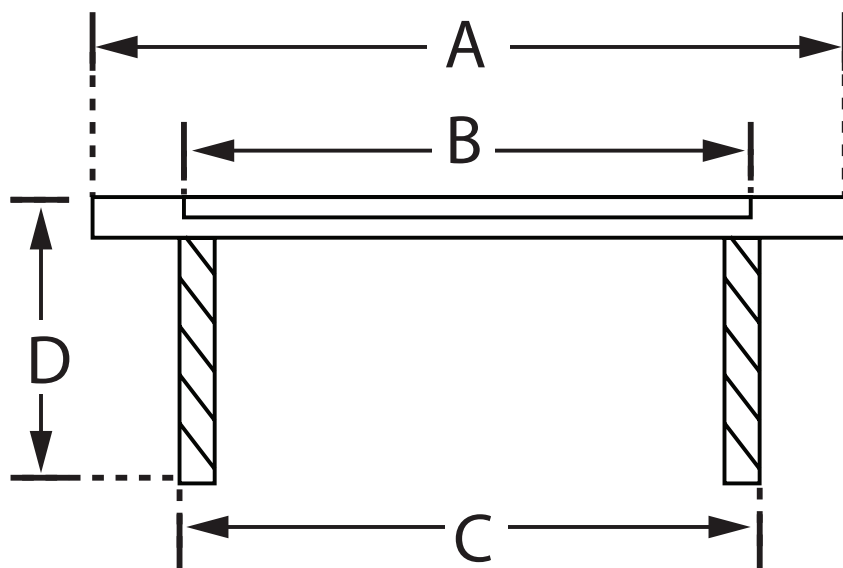


## 8" SEWER BOX LID AND RING



- Constructed of durable cast iron
- Cast in markings for quick reference
- No special tools needed for installation
- Tested to ASME A112.6.3-2019
- Sold with or without ring to fit all applications
- Medium duty load rating



Part No.	Description	A	B	C	D
S36006	8" Water Lid and Ring	11.25"	8.94"	8.87"	2.50"
S36008	8" Sewer Lid and Ring	11.25"	8.94"	8.87"	2.50"
S36091	8" Plain Lid and Ring	11.25"	8.94"	8.87"	2.50"
S36007	8" Sewer Lid Only	-	8.94"	-	-