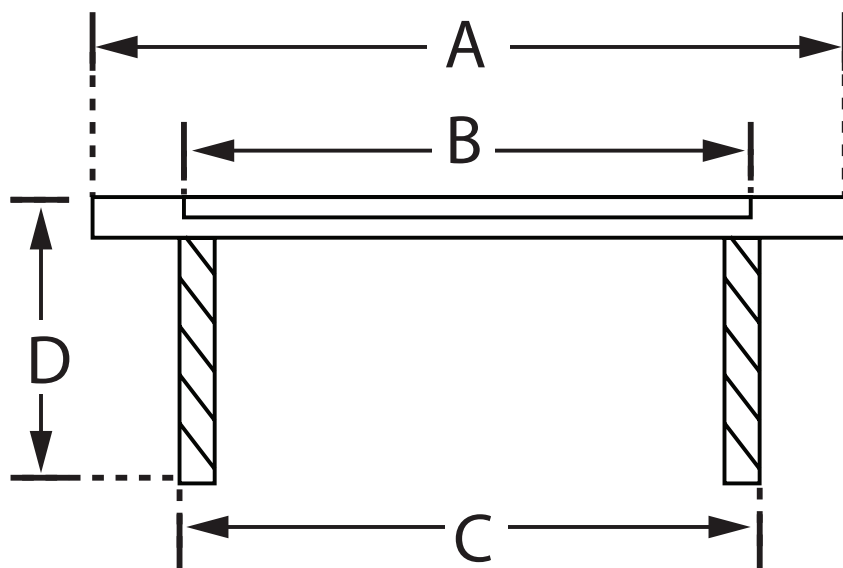


10" SEWER BOX LID AND RING



- Constructed of durable cast iron
- Cast in markings for quick reference
- No special tools needed for installation
- Tested to ASME A112.6.3-2019
- Sold with or without ring to fit all applications
- Light duty load rating



Part No.	Description	A	B	C	D
S36011	10" Water Lid and Ring	13.31"	10.87"	10.50"	2.50"
S36010	10" Sewer Lid and Ring	13.31"	10.87"	10.50"	2.50"
S36096	10" Plain Lid and Ring	13.31"	10.87"	10.50"	2.50"
S36009	10" Sewer Lid Only	-	10.87"	-	-