



Franklin Electric Co., Inc.
 P. O. Box 12010
 Oklahoma City, OK 73157-2010
 405.947.2511 • Fax: 405.947.8720
 www.LittleGiantPump.com
 CustomerService-WTS@fele.com

WRS-6 Wastewater Removal System with 6-CIA Pump

EN INTRODUCTION

This instruction sheet provides you with the information required to safely own and operate your product. Retain these instructions for future reference.

The product you have purchased is of the highest quality workmanship and material, and has been engineered to give you long and reliable service. This product has been carefully tested, inspected, and packaged to ensure safe delivery and operation. Please examine your item(s) carefully to ensure that no damage occurred during shipment. If damage has occurred, please contact the place of purchase. They will assist you in replacement or repair, if required.

READ THESE INSTRUCTIONS CAREFULLY BEFORE ATTEMPTING TO INSTALL, OPERATE, OR SERVICE YOUR PRODUCT. KNOW THE PRODUCT'S APPLICATION, LIMITATIONS, AND POTENTIAL HAZARDS. PROTECT YOURSELF AND OTHERS BY OBSERVING ALL SAFETY INFORMATION. FAILURE TO COMPLY WITH THESE INSTRUCTIONS COULD RESULT IN PERSONAL INJURY AND/OR PROPERTY DAMAGE!

DESCRIPTION

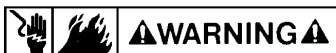
This unit is designed to pump wastewater from laundry trays, washing machines, sinks, or dehumidifiers. It is not designed to pump raw sewage, fluids other than water, or fluids with solids. Inlet screen will remove many solids over 1/8" diameter, but large amounts of solids can clog screen and result in pump failure. Maximum fluid temperature is 125°F. Unit is designed to fit under most sinks, so in many cases it is not necessary to recess the unit into the floor.

ITEMS TO PURCHASE

NOTE: Some state or local codes require all electrical and/or plumbing connections to be made by a licensed contractor. It is the customer's responsibility to determine codes involved and to comply with these codes. If user can install unit, items to purchase are:

1. Inlet piping with trap and union. (Basin cover has 1-1/2" FNPT fitting.)
2. Discharge piping with swing check valve and union. (Basin cover has 1-1/2" FNPT fitting.)
3. Vent piping. (Basin cover has 2" FNPT fitting.)

SAFETY GUIDELINES



1. **CAUTION:** To reduce the risk of electric shock, pull plug before servicing this pump.
2. Read all instructions and safety guidelines thoroughly. Failure to follow the guidelines and the instructions could result in serious bodily injury and/or property damage.
3. Check local electrical and building codes before installation. The installation must be in accordance with these regulations.
4. During normal operation the pump is immersed in water. Use caution to prevent bodily injury when working near the pump:

- a. Remove plug from the receptacle prior to touching, servicing, or repairing the pump.
- b. To minimize possible fatal electrical shock hazard, use extreme care when changing fuses. Do not stand in water while changing fuses or insert your finger into fuse socket.

ELECTRICAL CONNECTIONS



All wiring must meet local codes, and a licensed electrical contractor is recommended. The pump is supplied with a 3-prong vented plug. Plugs must be plugged into a grounded receptacle and vent tube must remain unobstructed for proper pump operation. Pump should be on a separate circuit with fuse or circuit breaker and ground fault circuit interrupter (GFCI). Be sure electrical supply matches pump nameplate data. Do not use extension cord. If installed in basement, plug connection should be 4' or more above floor, especially if basement floods. Be sure electrical connections cannot be reached by rising water. Under no circumstances should outlet box or receptacle be located where it may become flooded or submerged by water.

INSTALLATION

All plumbing must meet local codes. A licensed plumbing contractor is recommended. All fixtures connected to the WRS-6 Basin Kit must be vented according to state and local codes.

1. **Determine proper location for unit.** Locate unit so that inlet is gravity-fed. Unit will not draw water up from a lower level. Position and level basin. Keep basin away from any item that could puncture basin. Position selected should be convenient to inlet, discharge, and vent piping, and electrical supply.
2. **Plumb inlet.** Using 1-1/2" threaded pipe, plumb inlet to basin cover fitting. Use a P-trap and a union next to the basin. Use pipe joint compound and hand tighten only on plastic fittings. Do not reduce below 1-1/2" piping.
3. **Plumb discharge.** Using 1-1/2" threaded pipe, plumb discharge to basin cover fitting. Use a swing check valve no more than 3" from top of basin cover and a union. Be sure check valve is installed in proper flow direction.

If check valve is installed backwards, no water will flow out of unit. Be sure discharge piping is sealed with pipe joint compound and that lift height of pump is not exceeded. Hand tighten only on plastic fittings.

4. **Plumb vent.** Plumb vent using 2" threaded pipe to fitting in basin cover. Use pipe joint compound on threads and hand tighten only on plastic fittings. The basin must be vented in accordance with state and local codes. The vent is essential for proper switch operation and must not be omitted or restricted.

CAUTION: Do not use a mechanical vent with this product. A mechanical vent will cause improper operation of the automatic switch.

5. **Test unit.** Connect power cord to electrical supply as stated in ELECTRICAL CONNECTIONS section. Secure power cord to piping with ties or tape. Fill unit with water through inlet. Pump should turn on with 7"-10" of water in tank, and turn off when 1"-3" of water is left in tank.

MAINTENANCE

WARNING: Before performing any maintenance, shut off water inlet and disconnect power cord from supply outlet. Pump may become hot during operation. Allow pump to cool before servicing.

Basin Screen: Remove 4 1/4-20 screen cover plate screws, plastic cover plate, seal ring, and screen. Clean inlet screen using a mild detergent and water. Examine O-ring and if deformed, replace with new O-ring. See replacement parts table.

Basin: Sediment may build up in basin causing pump to operate improperly. Remove 10 1/4-20 screws from cover. Remove cord grommet and loosen cords to allow slack and then remove cover.

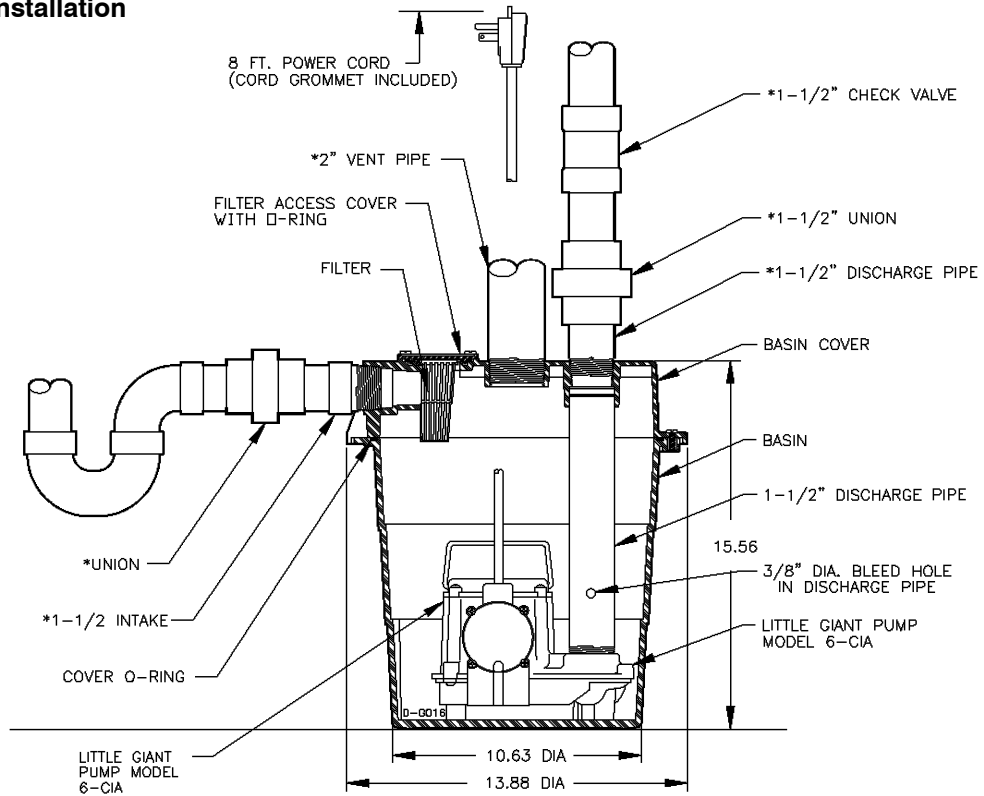
Remove pump and clean basin using a mild detergent and water. Reassemble in reverse order.

Torque screws 18-20 in.-lbs.

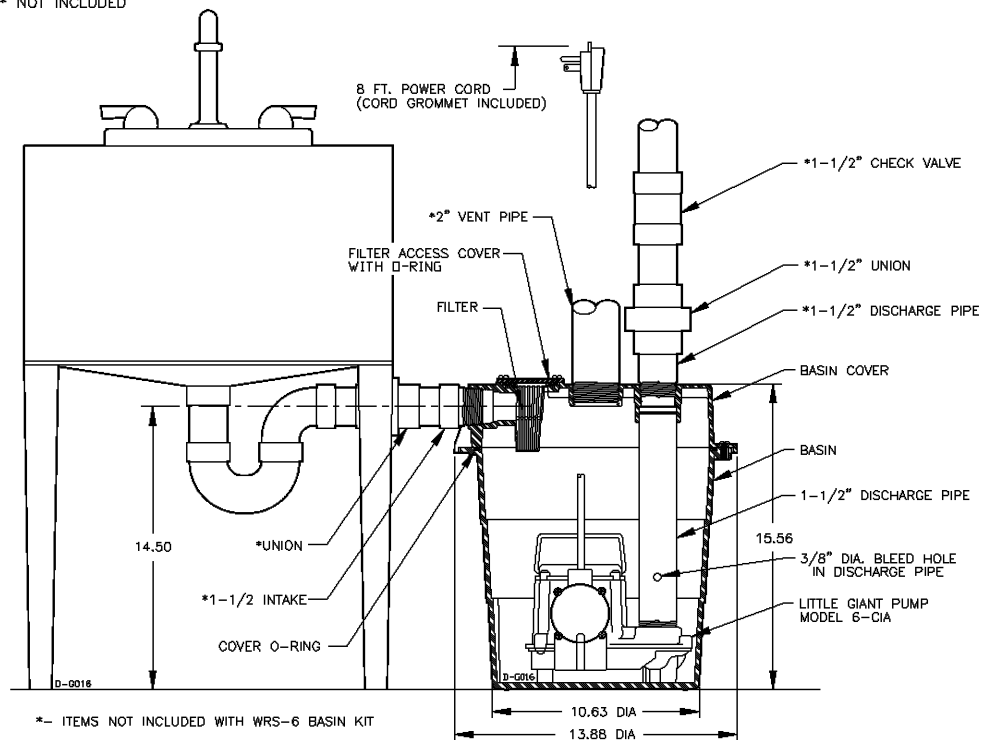
If pump alignment plate is removed, it must be reinstalled per pump alignment diagram.

Pump: Sediment or lint can clog pump and cause improper operation. If necessary, remove pump and pull off the pressed-in screen. Clean using a mild detergent and water and reinstall. Plastic pump base may also be removed to clean around impeller and inside base. Remove the six base screws and clean base using a mild detergent and water. Do not remove impeller. When reinstalling base, be sure seal ring is seated properly in groove and torque screws to 10-15 in.-lbs. See pump manual for other information. For any other pump repair, return the pump to a Little Giant authorized service center.

Figure 1 - Typical Installation

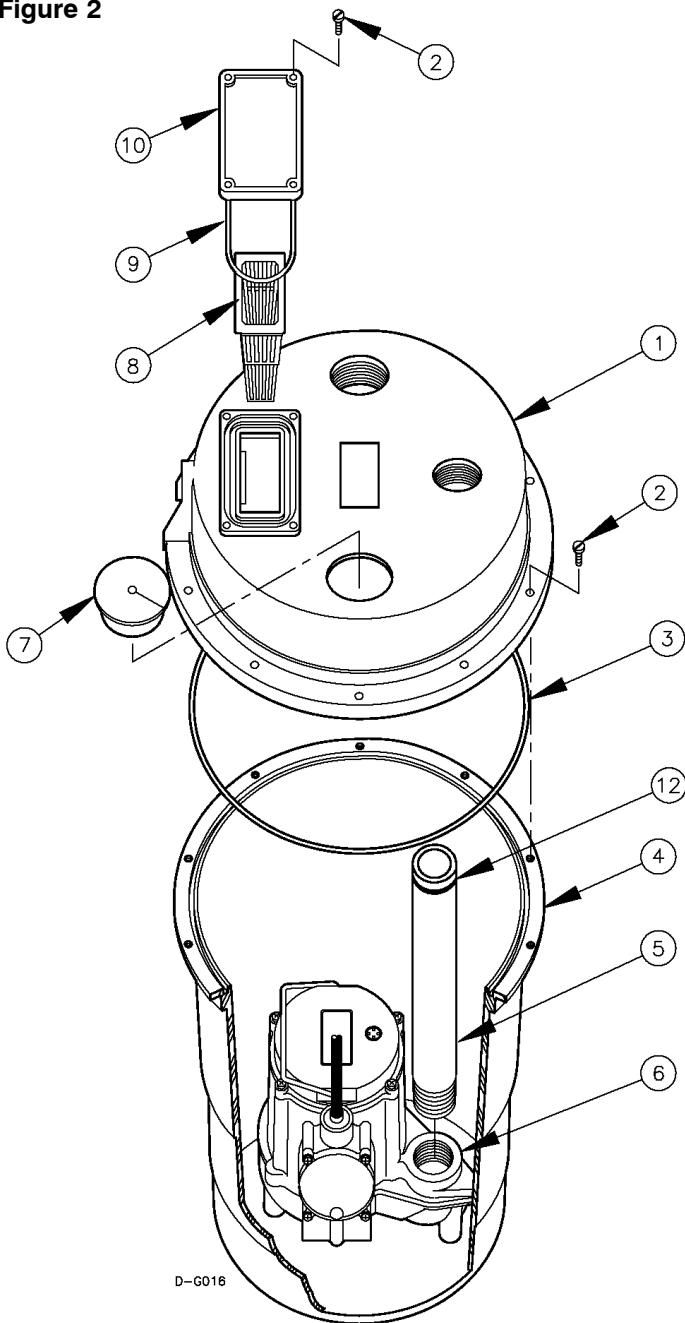


* NOT INCLUDED



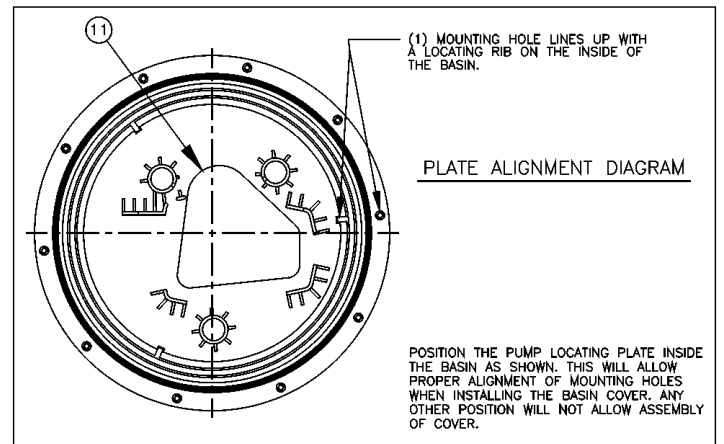
*- ITEMS NOT INCLUDED WITH WRS-6 BASIN KIT

Figure 2



REPLACEMENT PARTS			
ITEM	PART NO.	DESCRIPTION	QUANTITY
1	113130	Basin cover	1
2	901709	Screw, 1/4-20 x 1/2	14
3	924065	O-ring	1
4	113129	Basin	1
5	113022	Discharge pipe	1
6	506158	Pump, 6-CIA, 115V	1
7	925016	Cord grommet	1
8	113131	Intake screen	1
9	924066	O-Ring, Buna-N, 2-339	1
10	113132	Cover plate, screen	1
11	113135	Alignment plate	1
12	924047	O-Ring, Buna-N, 2-131	1

Figure 3



SPECIFICATIONS

MODEL NO.	VOLTS	HERTZ	AMPS	WATTS	GALLONS PER HOUR (GPH) AT HEIGHT			SHUTOFF (FT.)	MAX. PSI
					5'	10'	15'		
WRS-6	115	60	9	720	2750	1750	750	18	7.8

FOR TROUBLESHOOTING INFORMATION, SEE PUMP OWNERS MANUAL INCLUDED WITH WRS-6 BASIN KIT.

ONE YEAR LIMITED WARRANTY

For one year from date of purchase, Little Giant will repair this unit if defective in material or workmanship. Warranty service is available by returning the unit pre-paid to the factory. For further details, please consult the warranty statement on carton. This warranty gives you specific legal rights and you may also have other rights which vary from state to state.

For parts or repair, please contact 1.888.572.9933
For technical assistance, please contact 1.888.956.0000

Pour des parties ou la réparation,
entrez s'il vous plaît en contact 1.888.572.9933
Pour l'aide technique, entrez s'il vous plaît en contact 1.888.956.0000

Para partes o la reparación,
por favor póngase en contacto 1.888.572.9933
Para la ayuda técnica, por favor póngase en contacto 1.888.956.0000

www.LittleGiantPump.com
CustomerService-WTS@fele.com
