

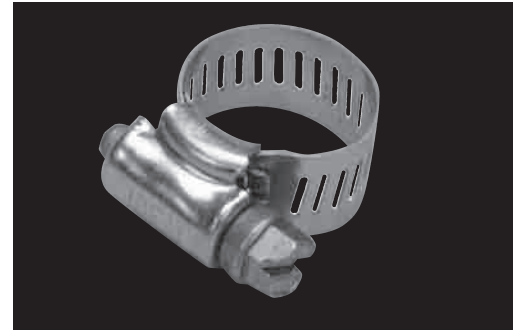
PFSSHC67 Series



Stainless Steel Hose Clamps 1/2" Clamp Series

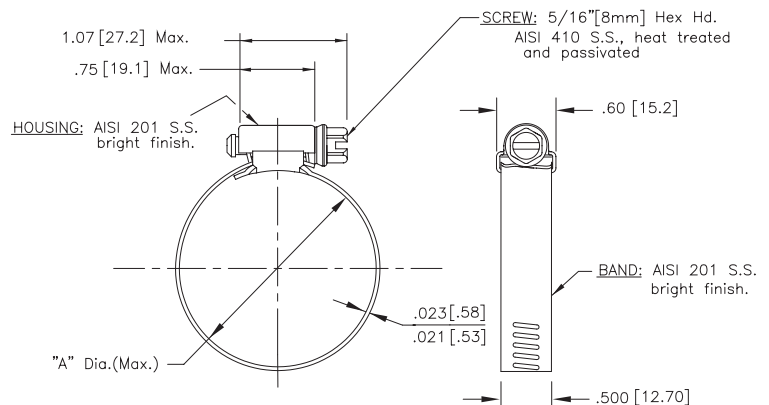
Product Features

- Constructed for most home applications
- 5/16" hex-head 410 stainless steel screw
- Band and housing are 1/2" design 201/301 grade stainless steel
- Construction: Housing to be one piece, mechanically locked to band
- Suggested Installation Torque is 35 in-lbs. (4.0 Nm) for most applications
- Meets requirements of SEA J1508 Type F



PFSSHC6706

Part Number	SAE Equiv. Size	"A" Diameter	
		Min. - Max	Min. - Max.
		Inch	mm
PFSSHC6706	6	.38 - .88	10 - 22
PFSSHC6708	8	.44 - 1.00	11 - 25
PFSSHC6710	10	.50 - 1.06	13 - 27
PFSSHC6712	12	.50 - 1.25	13 - 32
PFSSHC6716	16	.75 - 1.50	19 - 38
PFSSHC6720	20	.75 - 1.75	19 - 44
PFSSHC6724	24	1.00 - 2.00	25 - 51
PFSSHC6728	28	1.32 - 2.25	34 - 57
PFSSHC6732	32	1.57 - 2.50	40 - 64
PFSSHC6736	36	.88 - 2.75	22 - 70
PFSSHC6740	40	1.13 - 3.00	29 - 76
PFSSHC6744	44	1.32 - 3.25	34 - 83
PFSSHC6748	48	1.63 - 3.50	41 - 89
PFSSHC6752	52	1.88 - 3.75	48 - 95
PFSSHC6756	56	2.13 - 4.00	54 - 102
PFSSHC6764	64	2.63 - 4.50	67 - 114
PFSSHC6772	72	3.00 - 5.00	76 - 127
PFSSHC6780	80	3.63 - 5.50	92 - 140
PFSSHC6788	88	4.25 - 6.00	108 - 152
PFSSHC6796	96	4.75 - 6.50	120 - 165
PFSSHC6799	99	5.00 - 7.00	102 - 178



Warranty and Codes

This PROFLO product carries a 1-year limited warranty. Complies with SAE J1508.



Made in U.S.A.