

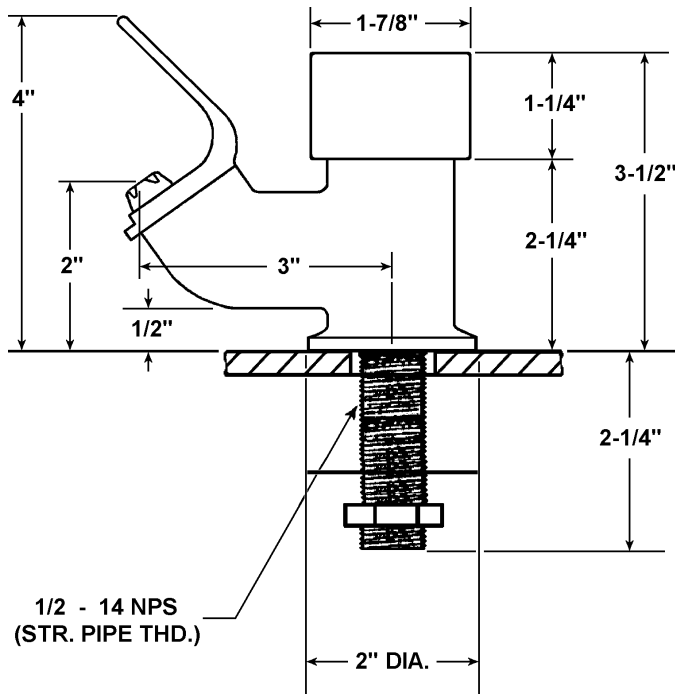


FAUCET GROUP

JSB-10

LEAD-FREE BUBBLER

SUBMITTAL DATA



TECHNICAL DATA CONSTRUCTION:

- Self closing, push button controlled
- Features totally lead-free construction
- Cast 304 stainless steel body and push button activator
- Stainless steel nipple
- Stainless steel replaceable regulator cartridge
- Adjustable flow regulator
- ANSI/NSF 61/Section 9 Certified
- Conforms with ANSI standard 112.18.1

FINISH

Highly buffed/mirror

FLOW RATE

Variable

A.D.A. COMPLIANT

Yes

VARIANTS

JSB-10-VR = Vandal resistant JSB-10

JSB-10-FLX = Flexible mouthguard

JUST MFG. COMPANY CONTINUES TO MAKE QUALITY AND FUNCTIONALITY A MARK OF THE JUST PRODUCT LINE. TO DO SO REQUIRES THAT WE RESERVE THE RIGHT TO CHANGE PRODUCT INFORMATION WITHOUT NOTICE. DIMENSIONS MAY VARY AND ARE SUBJECT TO CHANGE WITHOUT NOTICE. NO RESPONSIBILITY IS ASSUMED FOR USE OF SUPERCEDED OR VOIDED DATA. FOR THE MOST CURRENT AND ACCURATE INFORMATION REGARDING THE COMPLETE LINE OF JUST SINKS, FAUCETS AND DRAINS, CLICK ON THE *SPEC LINE DRAWINGS* LINK ON OUR WEB SITE AT www.justmfg.com

OPTIONS

NONE

Job Name _____	
Customer _____	
Architect/Engineer _____	
APPROVED FOR MANUFACTURING	
MODEL NO. _____	QTY. _____
COMPANY _____	
TITLE _____	DATE _____
SIGNATURE _____	

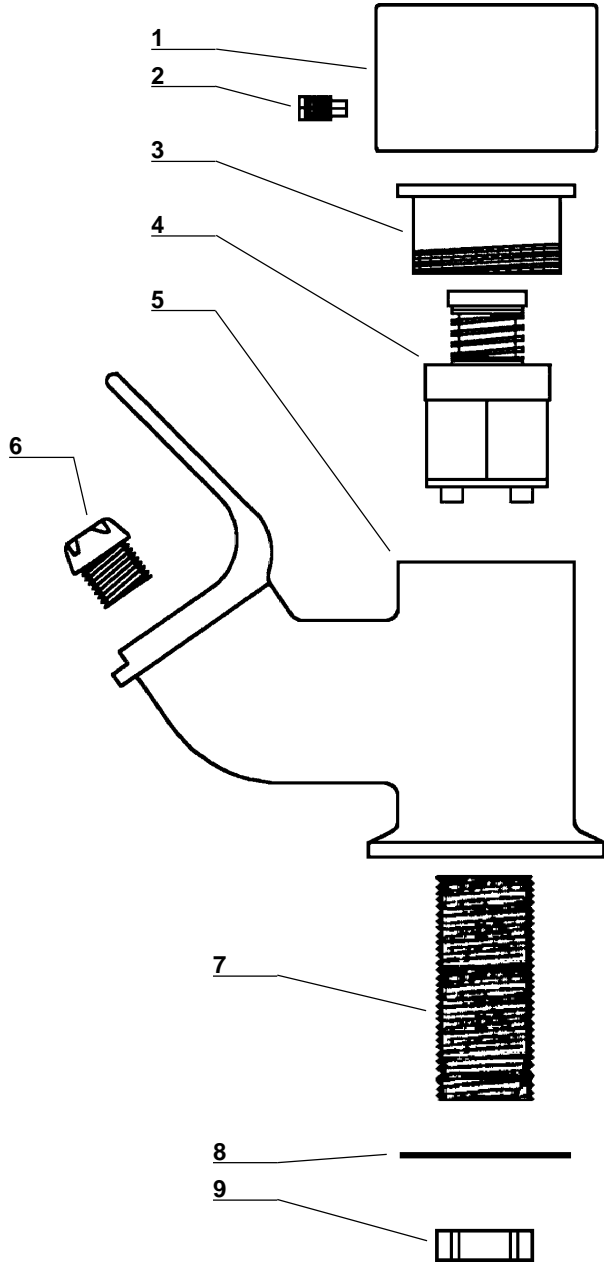
REVISED-5/2004

JUST MANUFACTURING COMPANY	
9233 KING STREET . FRANKLIN PARK . ILLINOIS . 60131-2111	
PH: 847-678-5150 . FAX: 847-678-6817	
E-MAIL: custserv@justmfg.com . www.justmfg.com	



FAUCET GROUP

LEAD-FREE BUBBLER



Item No.	Part No.	Description
1	JC-101	Stainless Steel Push Activator
2	JC-102	Set Screw
3	JC-115	Retainer
4	JC-150	Cartridge
5	- -	Cast Stainless Steel Body (not available separately)
6	JC-118	Orifice Assembly
7	- -	Nipple - Stainless Steel (not available separately)
8	JC-112	Washer
9	JC-111	Nut

JUST MFG. COMPANY CONTINUES TO MAKE QUALITY AND FUNCTIONALITY A MARK OF THE JUST PRODUCT LINE. TO DO SO REQUIRES THAT WE RESERVE THE RIGHT TO CHANGE PRODUCT INFORMATION WITHOUT NOTICE. DIMENSIONS MAY VARY AND ARE SUBJET TO CHANGE WITHOUT NOTICE. NO RESPONSIBILITY IS ASSUMED FOR USE OF SUPERCEDED OR VOIDED DATA. FOR THE MOST CURRENT AND ACCURATE INFORMATION REGARDING THE COMPLETE LINE OF JUST SINKS, FAUCETS AND DRAINS, CLICK ON THE **SPEC LINE DRAWINGS** LINK ON OUR WEB SITE AT www.justmfg.com

JUST MANUFACTURING COMPANY
 9233 KING STREET . FRANKLIN PARK . ILLINOIS . 60131-2111
 PH: 847-678-5150 . FAX: 847-678-6817
 E-MAIL: custserv@justmfg.com . www.justmfg.com