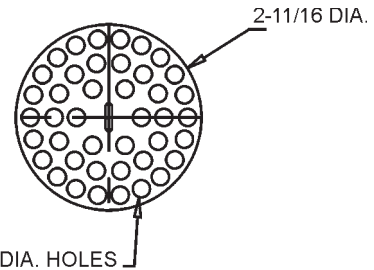
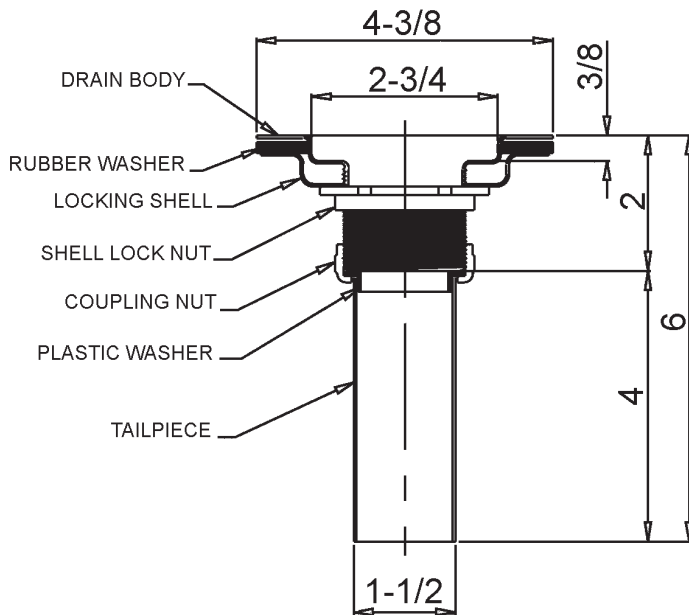
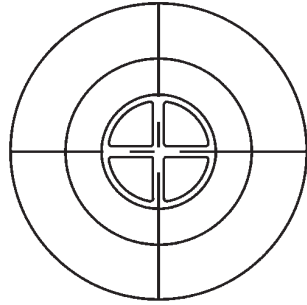




J-35-SSF

FITTINGS GROUP
STAINLESS STEEL DRAIN
 with
REMOVEABLE GRID STRAINER

SUBMITTAL DATA



REMOVEABLE STRAINER DETAIL

TECHNICAL DATA

DRAIN:

Body of Type 304 stainless steel
 Strainer of Type 304 stainless steel

TAILPIECE:

Type 304 stainless steel

LOCK NUT:

Die-cast zinc

COUPLING NUT:

Die-cast zinc

VARIANTS

Brass coupling nut
 J-35-SSF-VR

Dimensions tolerance +/- 1/4".

Dimensions may vary and are subject to change. No responsibility is assumed for use of superseded or voided data.

JUST MFG. COMPANY CONTINUES TO MAKE QUALITY AND FUNCTIONALITY A MARK OF THE JUST PRODUCT LINE. TO DO SO REQUIRES THAT WE RESERVE THE RIGHT TO CHANGE PRODUCT INFORMATION WITHOUT NOTICE. DIMENSIONS MAY VARY AND ARE SUBJECT TO CHANGE WITHOUT NOTICE. NO RESPONSIBILITY IS ASSUMED FOR USE OF SUPERCEDED OR VOIDED DATA. FOR THE MOST CURRENT AND ACCURATE INFORMATION REGARDING THE COMPLETE LINE OF JUST SINKS, FAUCETS AND DRAINS, CLICK ON THE **SPEC LINE DRAWINGS** LINK ON OUR WEB SITE AT www.justmfg.com

APPROVED FOR MANUFACTURING	
MODEL NO.:	QTY:
JOB NAME:	
TAG/ITEM:	
CUSTOMER:	
SIGNATURE:	

JUST MANUFACTURING COMPANY

9233 KING STREET . FRANKLIN PARK . ILLINOIS . 60131-2111

PH: 847-678-5150 . FAX: 847-678-6817 . E-MAIL: custserv@justmfg.com . www.justmfg.com