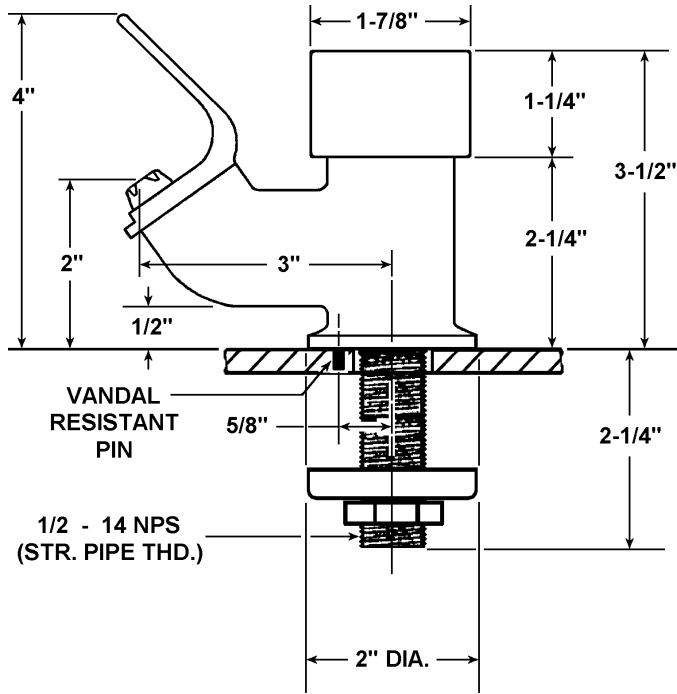
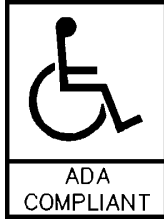




FAUCET GROUP



**OPTIONS
NONE**

Job Name _____
Customer _____
Architect/Engineer _____
APPROVED FOR MANUFACTURING
MODEL NO. _____ QTY. _____
COMPANY _____
TITLE _____ DATE _____
SIGNATURE _____

REVISED-5/2004

JSB-10-VR

LEAD-FREE BUBBLER



**TECHNICAL DATA
CONSTRUCTION:**

- Self closing, push button controlled
- Vandal resistant pin in base prevents turning
- Features totally lead-free construction
- Cast 304 stainless steel body and push button activator
- Stainless steel nipple
- Stainless steel replaceable regulator cartridge
- Adjustable flow regulator
- ANSI/NSF 61/Section 9 Certified
- Conforms with ANSI standard 112.18.1

FINISH
Highly buffed/mirror

FLOW RATE
Variable

A.D.A. COMPLIANT
Yes

VARIANTS
JSB-10 = Non-vandal resistant model
JSB-10-FLX-VR = Flexible mouthguard, vandal resistant.

JUST MFG. COMPANY CONTINUES TO MAKE QUALITY AND FUNCTIONALITY A MARK OF THE JUST PRODUCT LINE. TO DO SO REQUIRES THAT WE RESERVE THE RIGHT TO CHANGE PRODUCT INFORMATION WITHOUT NOTICE. DIMENSIONS MAY VARY AND ARE SUBJECT TO CHANGE WITHOUT NOTICE. NO RESPONSIBILITY IS ASSUMED FOR USE OF SUPERCEDED OR VOIDED DATA. FOR THE MOST CURRENT AND ACCURATE INFORMATION REGARDING THE COMPLETE LINE OF JUST SINKS, FAUCETS AND DRAINS, CLICK ON THE SPEC LINE DRAWINGS LINK ON OUR WEB SITE AT www.justmfg.com

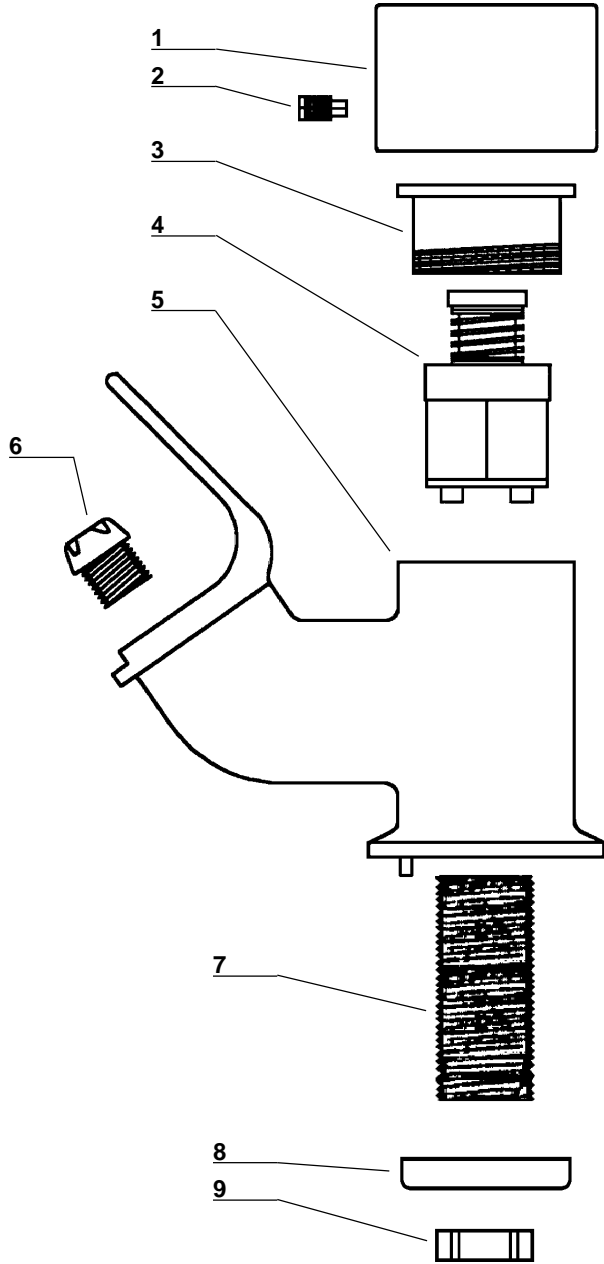
JUST MANUFACTURING COMPANY
9233 KING STREET . FRANKLIN PARK . ILLINOIS . 60131-2111
PH: 847-678-5150 . FAX: 847-678-6817
E-MAIL: custserv@justmfg.com . www.justmfg.com

SUBMITTAL DATA



FAUCET GROUP

LEAD-FREE BUBBLER



Item No.	Part No.	Description
1	JC-101	Stainless Steel Push Activator
2	JC-102	Set Screw
3	JC-115	Retainer
4	JC-150	Cartridge
5	- -	Cast Stainless Steel Body (not available separately)
6	JC-118	Orifice Assembly
7	- -	Nipple - Stainless Steel (not available separately)
8	JC-106	Cup Washer
9	JC-111	Nut

JUST MFG. COMPANY CONTINUES TO MAKE QUALITY AND FUNCTIONALITY A MARK OF THE JUST PRODUCT LINE. TO DO SO REQUIRES THAT WE RESERVE THE RIGHT TO CHANGE PRODUCT INFORMATION WITHOUT NOTICE. DIMENSIONS MAY VARY AND ARE SUBJECT TO CHANGE WITHOUT NOTICE. NO RESPONSIBILITY IS ASSUMED FOR USE OF SUPERCEDED OR VOIDED DATA. FOR THE MOST CURRENT AND ACCURATE INFORMATION REGARDING THE COMPLETE LINE OF JUST SINKS, FAUCETS AND DRAINS, CLICK ON THE **SPEC LINE DRAWINGS** LINK ON OUR WEB SITE AT www.justmfg.com

JUST MANUFACTURING COMPANY
 9233 KING STREET . FRANKLIN PARK . ILLINOIS . 60131-2111
 PH: 847-678-5150 . FAX: 847-678-6817
 E-MAIL: custserv@justmfg.com . www.justmfg.com