



T&S BRASS AND BRONZE WORKS, INC.

2 Saddleback Cove / P.O. Box 1088
Travelers Rest, SC 29690



REG. #A2601
ISO #9001

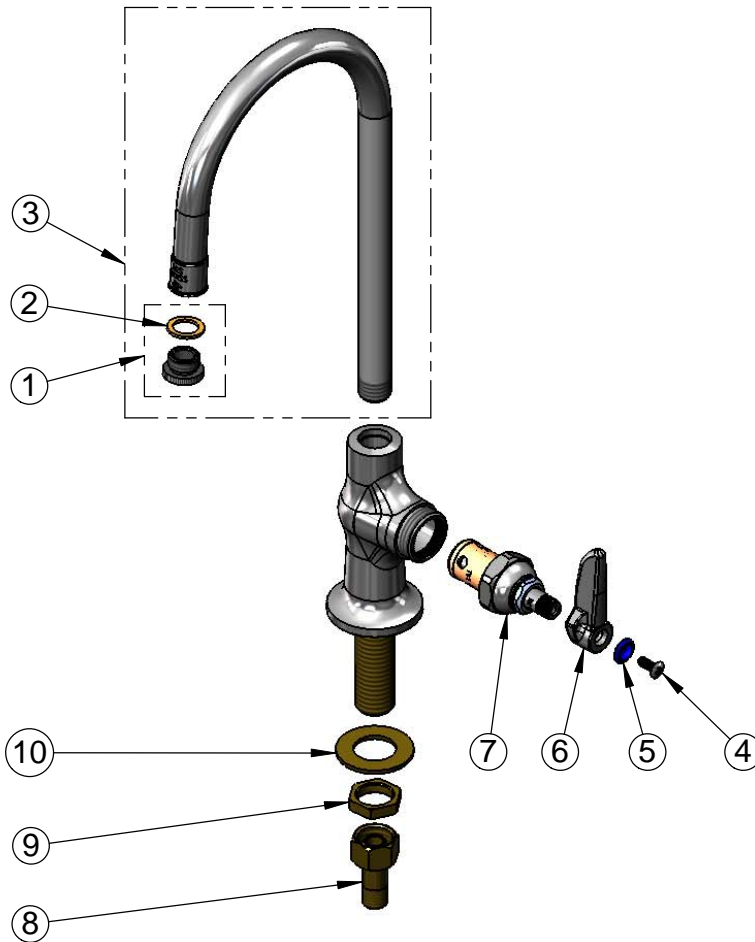
Model No.

B-0305

Item No.

Travelers Rest, SC: 800-476-4103 Simi Valley, CA: 800-423-0150 Fax: 864-834-3518 www.tsbrass.com

ITEM NO.	SALES NO.	DESCRIPTION
1	B-LT	Stream Regulator Outlet
2	001043-45	Washer
3	120X	Gooseneck w/ B-LT Stream Regulator Assembly
4	000922-45	Lever Handle Screw
5	001660-45	Blue Index-CW
6	001638-45	Lever Handle
7	005960-40	Spindle Asm, Eterna "Hot"
8	150A	Bag of (1) Nut & (1) Tailpiece
9	002954-45	Shank Lock Nut
10	000999-45	Brass Lock Washer



Product Specifications:

Single Temperature Deck Mount Faucet w/ Eterna Cartridge, Lever Handle, Rigid Gooseneck w/ B-LT Stream Regulator Outlet & Tailpiece

Drawn
DHL

Checked
JRM

Approved
JHB

Scale:

NTS

Date:

02/17/11