

Central Brass

COMPANY

Brecksville, Ohio 44141

Phone: (216) 883-0220 Fax: (440) 526-5745

www.CentralBrass.com

MODEL NOS. 1137-A
1137-A-Q 81137-A
CENTERSET
LAVATORY FITTING

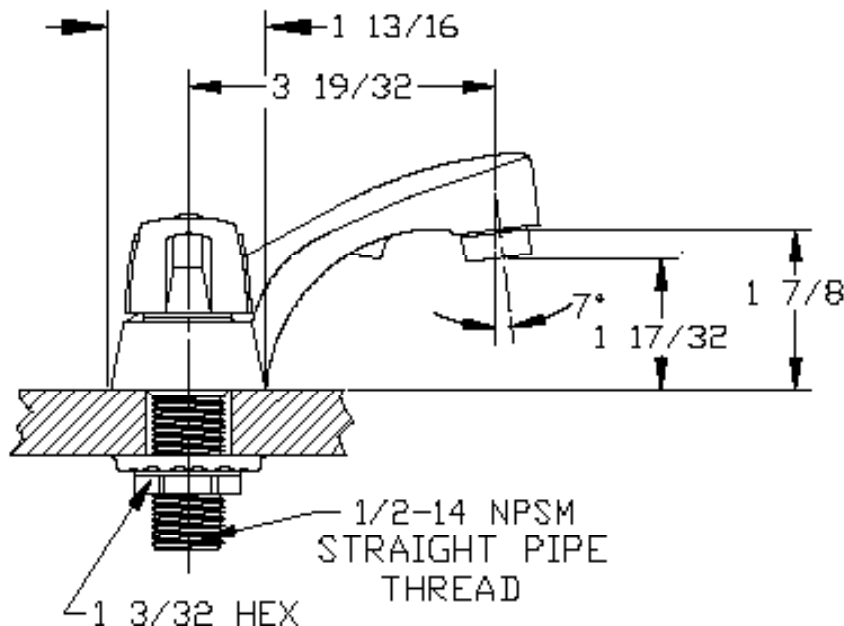
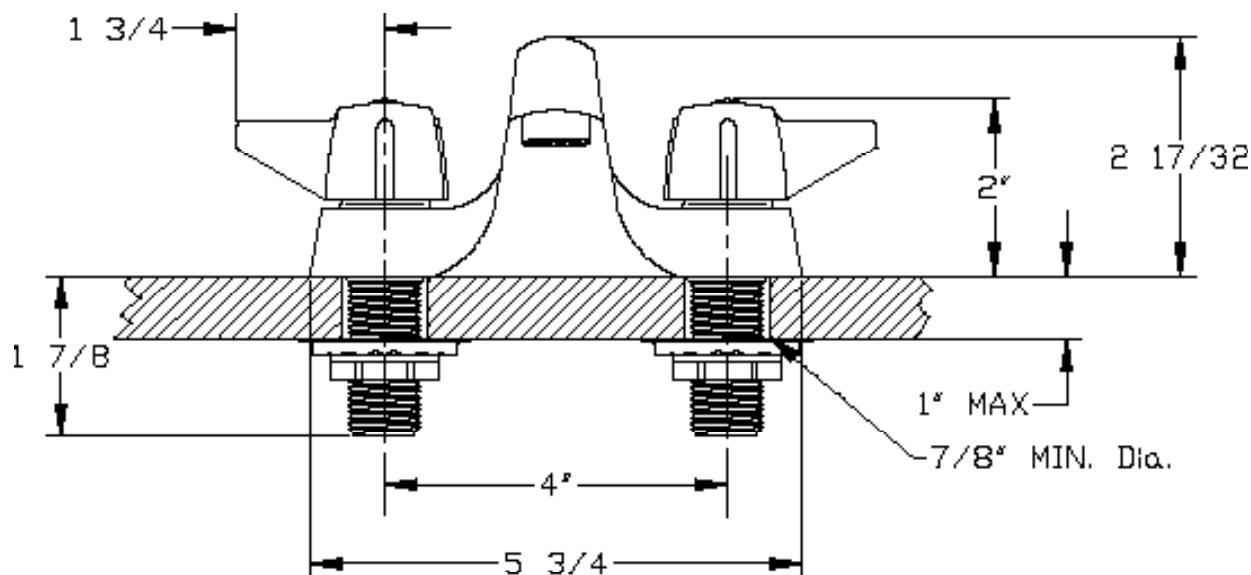
O-Ring Compression 1/4-Turn Compression Ceramic Units

1137-A

1137-A-Q

81137-A

The lavatory centerset is designed with a solid cast brass body with shanks located on 4-inch centers for supply connections and mounting. The stems are all brass, with a double O-Ring seal and rubber seat washer (for compression stems) or ceramic sealing discs (for ceramic units). The canopy handles are zinc die cast with a chrome plated finish. The faucet body is polished and copper, nickel and chrome plated. The faucet is fitted with a water saving aerator that limits the flow rate.



Flow Rate: 2
ADA Compli
Meets ASMI
ANSI/NSF 6

Central Brass

C O M P A N Y

Brecksville, Ohio 44141

Phone: (216) 883-0220 Fax: (440) 526-5745

www.CentralBrass.com

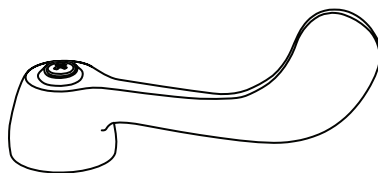
MODEL NOS. 1137-A
1137-A-Q 81137-A
CENTERSET
LAVATORY FITTING

Handle variations available

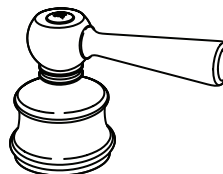


Faucets with lever, wrist or elbow handles with compression or ceramic stem cartridges are ADA compliant.

ELS - Suffix
Wrist 4-inch
EL - Suffix
Elbow 6-inch



G-4147 (4-inch)
G-4149 (6-inch)



K-512-02 (chrome)
K-512-15 (white)

■ If faucet has lever handles, use one Hot and one Cold stem assemblies

Central Brass

COMPANY

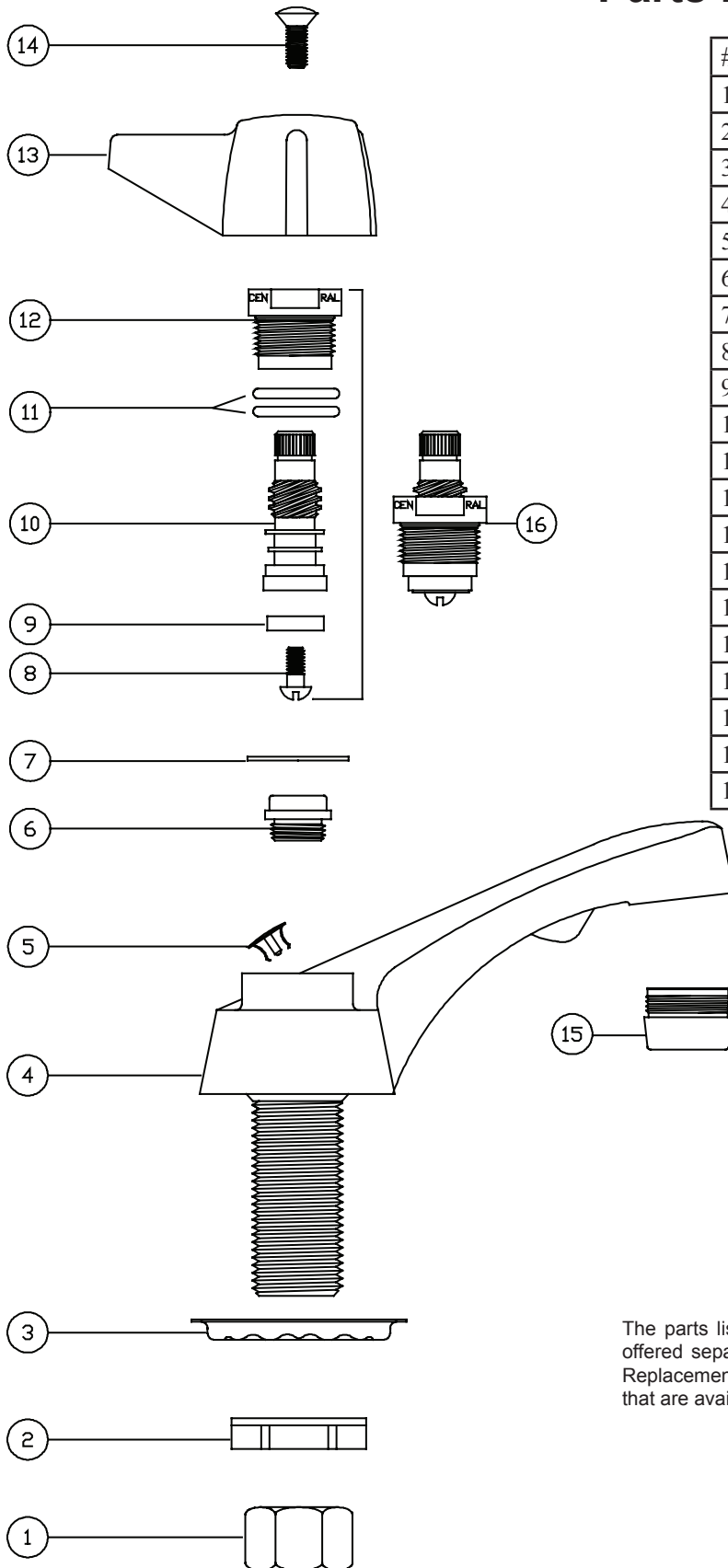
Brecksville, Ohio 44141

Phone: (216) 883-0220 Fax: (440) 526-5745

www.CentralBrass.com

**MODEL NOS. 1137-A
1137-A-Q 81137-A
CENTERSET
LAVATORY FITTING**

Parts Breakdown



#	Part #	Description
1	4015-BAR	Brass Coupling Nut
2	7133-AZ	Zinc Cichromate Locknut
3	54	Steel Crowfoot Washer
4	2143-1137	Brass Faucet Body
5	70-WA	Brass Button
6	263-BC	Bronze Seat
7	1028-Y	Nylon Gasket
8	104	Brass Seat Washer Screw
9	901-WNN	Seat Washer
10	453-FL	Brass Left Thread O-Ring Stem
10	453-FR	Brass Right Thread O-Ring Stem
11	1038-453	O-Ring
12	453-EWC	Brass Left Thread O-Ring Bonnet
12	453-EWH	Brass Right Thread O-Ring Bonnet
13	523-C	Handle Indexed "C"
13	523-H	Handle Indexed "H"
14	104-F	Brass Phillips Head Screw
15	30-L	Male Aerator
16	SU-453-EL	Left Thread O-Ring Stem Assembly
16	SU-453-ER	Right Thread O-Ring Stem Assembly

The parts listed in the parts breakdown above may not be offered separately as replacement parts. Please review the Replacement Parts page for the authorized replacement parts that are available for this item.

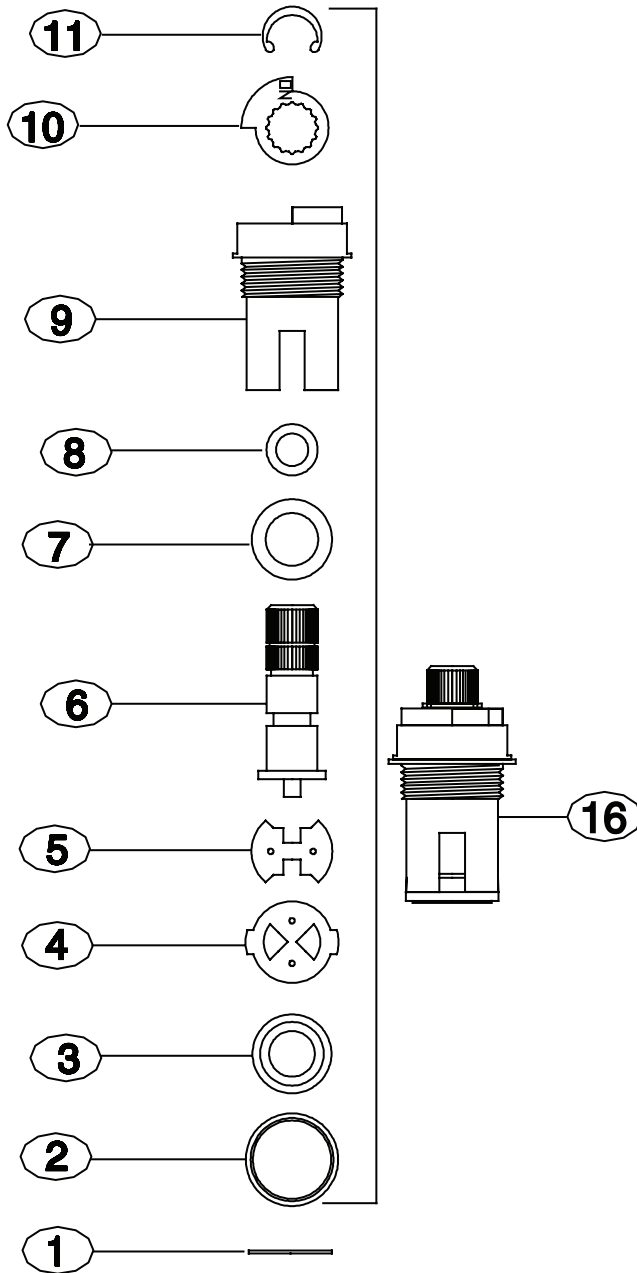
Central Brass

COMPANY

Brecksville, Ohio 44141
 Phone: (216) 883-0220 Fax: (440) 526-5745
 www.CentralBrass.com

**MODEL NOS. 1137-A
1137-A-Q 81137-A
 CENTERSET
 LAVATORY FITTING**

REPLACEMENT PARTS



81137-A Ceramic Stem Parts replaces compression stem K-453-C K-453-H

#	Part #	Description
1	1028-Y	Nylon Gasket
2	184-A	Celcon Retainer
3	183-A	Rubber Seal
4	182	Ceramic Disc - Lower
5	181	Ceramic Disc - Upper
6	352-S	Brass Stem
7	180	Celcon Washer
8	1038-E14	O-Ring
9	352-B	Brass Bonnet
10	352-SS	Brass Stop
11	352-CR	Crescent Ring
16	SU-352-L	Left Thread Stem Assembly (for cold side)
16	SU-352-R	Right Thread Stem Assembly (for hot side)

* These items are not offered individually and must be purchased as a group or unit. Please contact Central Brass for more information.

■ If faucet has lever handles, use one Hot and one Cold stem assemblies