

Butt Weld Fittings

Dimension : ANSI B16.9, B16.25, B16.28, MSS SP-43, SP-48, SP-59
Material Spec. : ASTM A403, A240, A312, A234 WPB
Material Grades : 304, 304L, 316, 316L, CARBON STEEL



90° ELBOW



45° ELBOW



180° ELBOW



EQUAL TEE



REDUCING TEE



CAP



CON. REDUCER



ECC. REDUCER

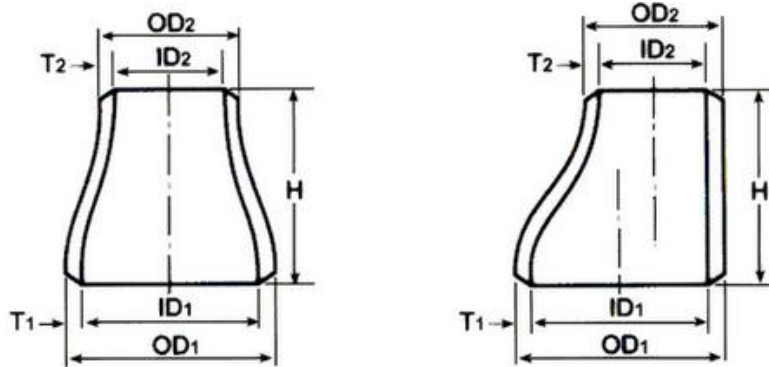


STUB END

STAINLESS & CARBON STEEL BUTT-WELDING FITTINGS

WELLGROW INDUSTRIES CORP.

Concentric and Eccentric Reducers



MSS SP-75 ANSI B16.9 (in mm)
* Wellgrow's standard.

Nominal Pipe Size (NPS)	Outside Diameter at Bevel		End-to-end
	Large End	Small End	
3/4 x 1/2	26.7	21.3	38.1
3/4 x 3/8		17.3	
1 x 3/4	33.4	26.7	50.8
1 x 1/2		21.3	
1-1/4 x 1	42.2	33.4	50.8
1-1/4 x 3/4		26.7	
1-1/4 x 1/2		21.3	
1-1/2 x 1-1/4	48.3	42.2	63.5
1-1/2 x 1		33.4	
1-1/2 x 3/4		26.7	
1-1/2 x 1/2		21.3	
2 x 1-1/2	60.3	48.3	76.2
2 x 1-1/4		42.2	
2 x 1		33.4	
2 x 3/4		26.7	
2-1/2 x 2	73.0	60.3	88.9
2-1/2 x 1-1/2		48.3	
2-1/2 x 1-1/4		42.2	
2-1/2 x 1		33.4	
3 x 2-1/2	88.9	73.0	88.9
3 x 2		60.3	
3 x 1-1/2		48.3	
3 x 1-1/4		42.2	
3-1/2 x 3	101.6	88.9	101.6
3-1/2 x 2-1/2		73.0	
3-1/2 x 2		60.3	
3-1/2 x 1-1/2		48.3	
3-1/2 x 1-1/4		42.2	
4 x 3-1/2	114.3	101.6	101.6
4 x 3		88.9	
4 x 2-1/2		73.0	
4 x 2		60.3	
4 x 1-1/2		48.3	
5 x 4	141.3	114.3	127.0
5 x 3-1/2		101.6	
5 x 3		88.9	
5 x 2-1/2		73.0	
5 x 2		60.3	
6 x 5	168.3	141.3	139.7
6 x 4		114.3	
6 x 3-1/2		101.6	
6 x 3		88.9	
6 x 2-1/2		73.0	

Nominal Pipe Size (NPS)	Outside Diameter at Bevel		End-to-end
	Large End	Small End	
8 x 6	219.1	168.3	152.4
8 x 5		141.3	
8 x 4		114.3	
8 x 3-1/2		101.6	
8 x 3		88.9	
8 x 2-1/2		73.0	
10 x 8	273.1	29.1	177.8
10 x 6		168.3	
10 x 5		141.3	
10 x 4		114.3	
12 x 10	323.9	273.1	203.2
12 x 8		219.1	
12 x 6		168.3	
12 x 5		141.3	
14 x 12	355.6	323.9	330.2
14 x 10		273.1	
14 x 8		219.1	
14 x 6		168.3	
16 x 14	406.4	355.6	355.6
16 x 12		323.9	
16 x 10		273.1	
16 x 8		219.1	
18 x 16	457.2	406.4	381.0
18 x 14		355.6	
18 x 12		323.9	
18 x 10		273.1	
18 x 8		219.1	
20 x 18	508.0	457.2	508.0
20 x 16		406.4	
20 x 14		355.6	
20 x 12		323.9	
20 x 10		273.0	
22 x 20	558.8	508.0	508.0
22 x 18		457.2	
22 x 16		406.4	
22 x 14		355.6	
22 x 12		323.8	
24 x 22	609.6	558.8	508.0
24 x 20		508.0	
24 x 18		457.2	
24 x 16		406.4	
24 x 16		355.6	
24 x 16		323.8	