

# Hydraulic Flushometer Push Button Actuator

# HY-33-A

## Fixture Wall (FW Variation)



### Description

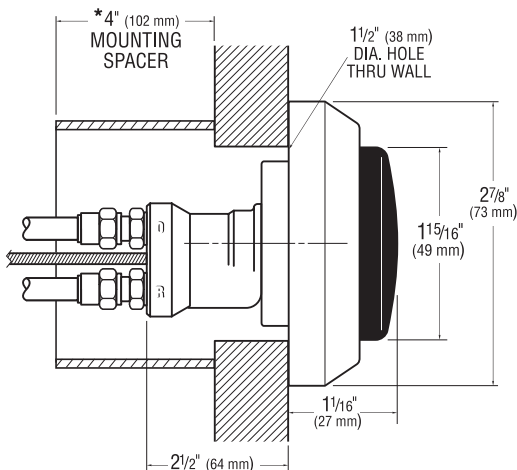
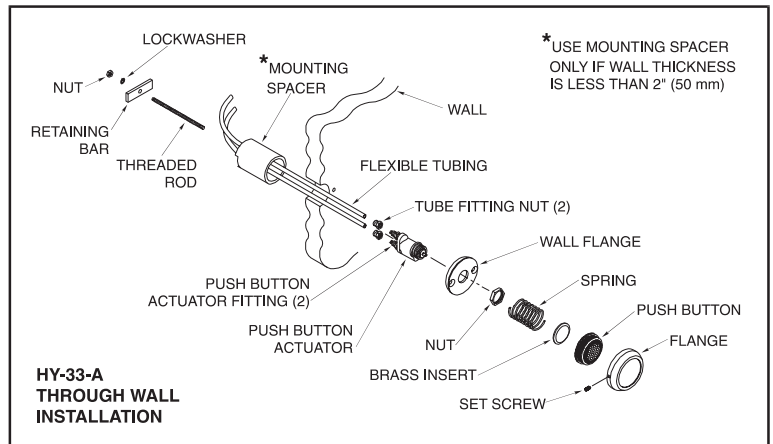
Fixture Wall (FW) Push Button Assembly for use with Sloan Series 900 Hydraulic Flushometers. Recommended for installation where access behind the wall is available. Also for use with Sloan Easy Access™ Wall Box.

### Specifications

Hydraulically Operated Push Button Assembly that includes the following features:

- ADA Compliant Non-Hold-Open feature type Actuator
- Large diameter, Spring Loaded Button
- Wall Clamp and Threaded Rod for through the wall installation (for walls up to 8" (200 mm) thick) - Spacer provided for walls less than 2" (50 mm) thick
- Mounting fasteners for installation on Sloan Easy Access Wall Box
- Two 36" (914 mm) long flexible tubing for connection to Sloan Series 900 Hydraulic Flushometer

See Hydraulic Flushometer Specification pages in this section for details on Hydraulically Operated Flushometers.



\*Use Mounting Spacer only if wall thickness is less than 2" (50mm).



Listed by I.A.P.M.O.

This space for Architect/Engineer approval

The information contained in this document is subject to change without notice.

# SLOAN

Made in the U.S.A.

SLOAN VALVE COMPANY • 10500 SEYMOUR AVE. • FRANKLIN PARK, IL 60131  
PHONE: 1-800 982-5839 • FAX: 1-800 447-8329 • <http://www.sloanvalve.com>