

GOLD Xi SERIES COMMERCIAL ELECTRIC WATER HEATER

Designed for use as a recovery heater having its own storage tank or booster for supplying sanitizing rinse water for dish washing.

FEATURES

- Meets the thermal efficiency and or standby loss requirements of the U.S. Department of Energy and current edition of ASHRAE/IES 90.1.

ADVANCED ELECTRONIC CONTROL

- Plain English text and animated icons display detailed operational and diagnostic information. Fault or Alert messages appear if an operational issue occurs.
- Immersion temperature control adjustable through a range of 90°F to 190°F.

ICOMM™ COMPATIBLE

- Call 1.888.WATER02 for more information. Receive heater updates by text or email and monitor from any internet access point.

ECONOMY MODE OPERATION

- Control system automatically lowers the Operating Set Point by a programmed value during user-defined time periods. Helps reduce operating costs during unoccupied or off - peak demand periods.

LINEAR SEQUENCING

- Banks of heating elements (3 elements per bank) are energized according to adjustable (1 to 20°F) differential set points for each bank. First bank on is the last bank off. Helps reduce current surge and provides accurate water temperature control.

GOLDENROD ELEMENTS

- All DVE models ship standard with patented Goldenrod 24K gold plated elements. Goldenrod elements provide long life with superior scaling resistance.

GLASS-LINED TANK

- Three sizes; 50, 80 and 119 gallon capacity. Tank interior is coated with glass specially developed by A. O. Smith for water heater use. Foam insulation reduces costly heat loss. ASME (optional) maximum working pressure is 160 psi.

POWER CIRCUIT FUSING

- Protects elements and contactors from short circuits, overloading or line surges. Meets National Electric Code requirements (fusing required when current draw exceeds 48 amps).

STANDARD VOLTAGES

- 208, 240 and 480V single-phase and three phase delta. Convertible from three-phase to single-phase (in field) and vice versa (except 208/54 kW). 277V single-phase also available.

TERMINAL BLOCK

- Factory installed. Allows for easy service connection to block.

MAGNETIC CONTACTORS

- Heavy duty; UL rated 100,000 cycles.

THREE YEAR LIMITED TANK WARRANTY

- For complete warranty information, consult written warranty or go to hotwater.com.

OTHER STANDARD FEATURES

- Immersion style thermostats
- Simplified circuitry, color coded for ease of service Hinged control compartment door for quick, easy access
- Two anode rods for maximum corrosion protection
- Cabinet has bonderized undercoat with baked enamel finish
- Top outlet, side inlet and relief valve openings Nipple and brass drain valve
- CSA certified and ASME rated T&P relief valve.

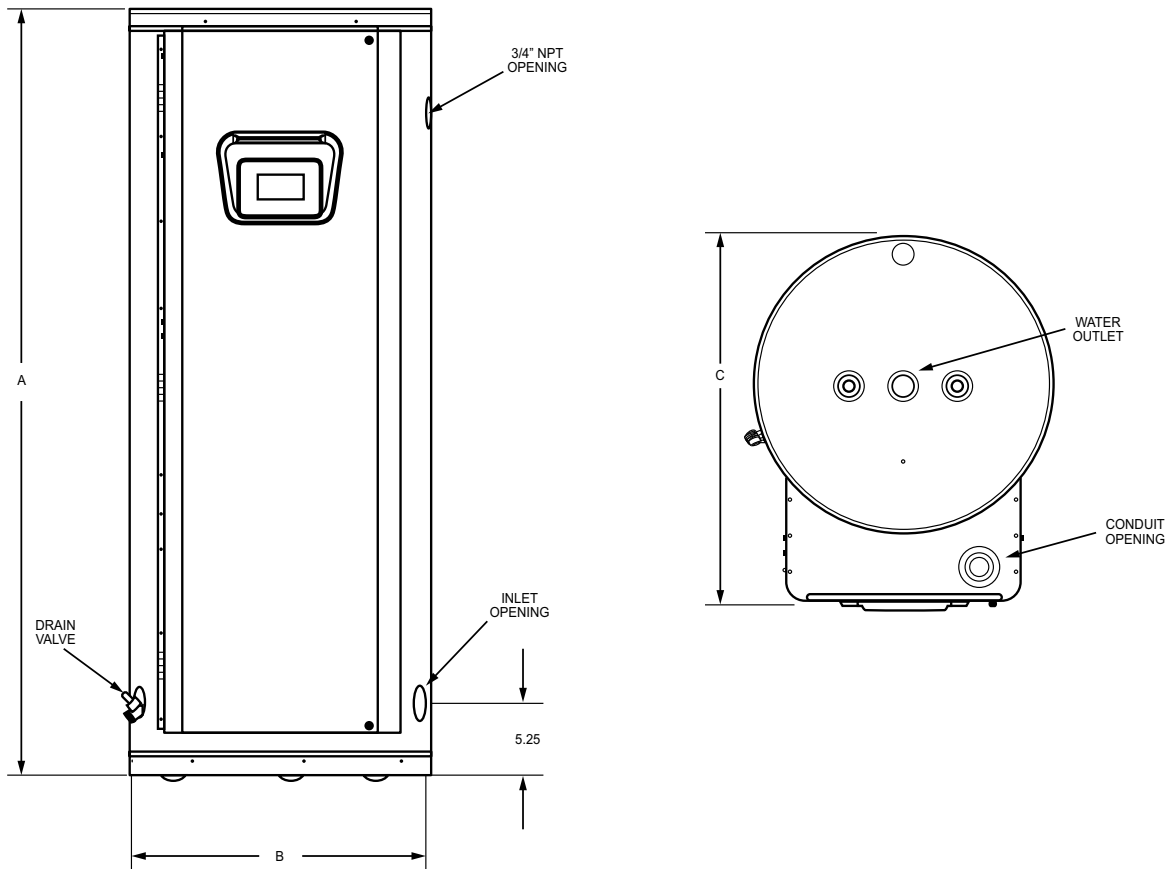


MODELS DVE-52, 80, 120



OPTIONS:

- ASME 160 psi (1103 kPa) tank construction.
- UL Listed conversion kits to adjust voltage and kW requirement in the field before and after installation.
- Manifold kits for multiple tank installations. Two heaters- part # 9003429205, three heaters- part # 9003430205 and four heaters- part # 9003431205.
- International voltages – 220, 380, 400, 415, 575, and 600 volts, three phase available with Y connected elements.



ROUGH-IN DIMENSIONS

| Model Number | Tank Capacity | | Dimensions | | | | | | Inlet/Outlet (NPT) | Approx. Shipping Weight | |
|--------------|---------------|-------|------------|-------|--------|------|--------|------|--------------------|-------------------------|-----|
| | | | A | | B | | C | | | | |
| | gal. | litre | Inches | cm | Inches | cm | Inches | cm | Inches | lbs | kG |
| DVE-52 | 50 | 189 | 55-3/4 | 142 | 21-3/4 | 55.2 | 27 | 68.6 | 1-1/4 | 265 | 120 |
| DVE-80 | 80 | 302 | 60-1/4 | 153 | 25-1/2 | 64.8 | 31 | 78.7 | 1-1/4 | 280 | 127 |
| DVE-120 | 119 | 450 | 62-1/4 | 158.1 | 29-1/2 | 75 | 35 | 88.9 | 1-1/4 | 390 | 177 |

For ASME construction add "A" to the model number (example: DVE 52A 24).



Commercial Electric Water Heaters

RECOVERY CAPACITIES

| Standard kW Input | BTU/Hour | 30°F | 40°F | 50°F | 60°F | 70°F | 80°F | 90°F | 100°F | 110°F | 120°F | 130°F | 140°F |
|-------------------|----------|------|------|------|------|------|------|------|-------|-------|-------|-------|-------|
| | | 17°C | 22°C | 28°C | 33°C | 39°C | 45°C | 50°C | 56°C | 61°C | 67°C | 72°C | 78°C |
| 6 | 20,478 | 82 | 62 | 49 | 41 | 35 | 31 | 27 | 25 | 22 | 21 | 19 | 18 |
| | | 310 | 233 | 166 | 155 | 133 | 116 | 103 | 93 | 85 | 78 | 72 | 66 |
| 9 | 30,717 | 123 | 92 | 74 | 62 | 53 | 46 | 41 | 37 | 34 | 31 | 28 | 26 |
| | | 465 | 349 | 279 | 223 | 199 | 174 | 155 | 140 | 127 | 116 | 107 | 100 |
| 12 | 40,956 | 164 | 123 | 98 | 82 | 70 | 61 | 55 | 49 | 45 | 41 | 38 | 35 |
| | | 620 | 465 | 372 | 310 | 266 | 233 | 207 | 186 | 169 | 155 | 143 | 133 |
| 13.5 | 46,075 | 184 | 138 | 111 | 92 | 79 | 69 | 62 | 55 | 50 | 46 | 43 | 40 |
| | | 698 | 523 | 419 | 349 | 299 | 262 | 233 | 209 | 190 | 174 | 161 | 150 |
| 15 | 51,195 | 205 | 154 | 123 | 102 | 88 | 77 | 68 | 61 | 56 | 51 | 47 | 44 |
| | | 775 | 582 | 465 | 388 | 332 | 291 | 258 | 233 | 211 | 194 | 149 | 166 |
| 18 | 61,434 | 246 | 184 | 148 | 123 | 105 | 92 | 82 | 74 | 67 | 62 | 57 | 53 |
| | | 930 | 698 | 558 | 465 | 399 | 349 | 310 | 279 | 254 | 233 | 215 | 199 |
| 24 | 81,912 | 328 | 246 | 197 | 164 | 140 | 123 | 109 | 98 | 90 | 82 | 76 | 70 |
| | | 1241 | 930 | 744 | 620 | 532 | 465 | 414 | 372 | 338 | 310 | 286 | 266 |
| 27 | 92,151 | 369 | 276 | 221 | 185 | 158 | 138 | 123 | 111 | 101 | 92 | 85 | 79 |
| | | 1396 | 1047 | 938 | 609 | 509 | 523 | 465 | 410 | 391 | 340 | 322 | 299 |
| 30 | 102,390 | 410 | 307 | 246 | 205 | 176 | 154 | 137 | 123 | 112 | 102 | 95 | 88 |
| | | 1551 | 1163 | 930 | 775 | 665 | 582 | 517 | 465 | 423 | 388 | 358 | 332 |
| 36 | 122,868 | 492 | 369 | 295 | 246 | 211 | 184 | 164 | 148 | 134 | 123 | 113 | 105 |
| | | 1861 | 1396 | 1117 | 930 | 798 | 698 | 620 | 556 | 508 | 465 | 429 | 399 |
| 40.5 | 138,226 | 554 | 418 | 332 | 277 | 237 | 208 | 185 | 166 | 151 | 138 | 128 | 119 |
| | | 2094 | 1570 | 1256 | 1047 | 897 | 785 | 698 | 628 | 634 | 582 | 537 | 498 |
| 45 | 153,585 | 615 | 461 | 369 | 307 | 263 | 230 | 205 | 184 | 168 | 154 | 142 | 132 |
| | | 2326 | 1745 | 1398 | 1163 | 997 | 872 | 755 | 698 | 634 | 582 | 537 | 498 |
| 54 | 184,302 | 738 | 554 | 443 | 359 | 316 | 277 | 246 | 221 | 20 | 185 | 170 | 158 |
| | | 2791 | 2094 | 1675 | 1396 | 1196 | 1047 | 930 | 837 | 761 | 696 | 644 | 598 |

Figured at 1 kW (3413 BTU) = 4.1 Gallons at 100°F temperature rise.



Commercial Electric Water Heaters

| kW Input | Model Numbers Tank Capacity in Gallons | | | Number of Elements | Element Wattage | Full Load Current in Amperes | | | | | | |
|----------|--|-------------|--------------|--------------------|-----------------|------------------------------|-------|---------|-------|-------------|-------|------|
| | | | | | | Single Phase | | | | Three Phase | | |
| | 50 | 80 | 119 | | | 208V | 240V | 277V | 480V | 208V | 240V | 480V |
| 6 | DVE-52-6 | DVE-80-6 | DVE-120-6 | 3 | 2,000 | 28.8 | 25 | 21.7 | 12.5 | 16.7 | 14.4 | 7.2 |
| 9 | DVE-52-9 | DVE-80-9 | DVE-120-9 | 3 | 3,000 | 43.3 | 37.5 | **32.5 | 18.8 | 25 | 21.7 | 10.8 |
| 12 | DVE-52-12 | DVE-80-12 | DVE-120-12 | 3 | 4,000 | 57.7 | 50 | 43.3 | 25 | 33.3 | 28.9 | 14.4 |
| 13.5 | DVE-52-13.5 | DVE-80-13.5 | DVE-120-13.5 | 3 | 4,500 | 64.9 | 56.3 | **48.7 | 28.1 | 37.5 | 32.5 | 16.2 |
| 15 | DVE-52-15 | DVE-80-15 | DVE-120-15 | 3 | 5,000 | 72.1 | 62.5 | **54.2 | 31.3 | 41.6 | 36.1 | 18 |
| 18 | DVE-52-18 | DVE-80-18 | DVE-120-18 | 3* | 6,000 | 86.5 | 75 | 65 | 37.5 | 50 | 43.3 | 21.7 |
| 24 | DVE-52-24 | DVE-80-24 | DVE-120-24 | 6 | 4,000 | 115.4 | 100 | 86.6 | 50 | 66.6 | 57.7 | 28.9 |
| 27 | DVE-52-27 | DVE-80-27 | DVE-120-27 | 6 | 4,500 | 129.8 | 112.5 | **97.5 | 56.3 | 74.9 | 65 | 32.5 |
| 30 | DVE-52-30 | DVE-80-30 | DVE-120-30 | 6 | 5,000 | 144.2 | 125 | **108.3 | 62.5 | 83.3 | 72.2 | 36.1 |
| 36 | DVE-52-36 | DVE-80-36 | DVE-120-36 | 6* | 6,000 | 173.1 | 150 | 130 | 75 | 99.9 | 86.6 | 43.3 |
| 40.5 | N/A | DVE-80-40.5 | DVE-120-40.5 | 9 | 4,500 | 194.7 | 168.8 | **146.2 | 84.4 | 112.4 | 97.4 | 48.7 |
| 45 | N/A | DVE-80-45 | DVE-120-45 | 9 | 5,000 | 216.3 | 187.5 | **162.5 | 93.8 | 124.9 | 108.3 | 54.1 |
| 54 | N/A | DVE-80-54 | DVE-120-54 | 9 | 6,000 | N/A | 225 | 194.9 | 112.5 | 149.9 | 129.9 | 65 |

208 volt models may contain three (3) additional elements.

** Elements available in incoloy only.

For ASME construction add "A" to the model number (example: DVE 52A 24).

SUGGESTED SPECIFICATION

The heater(s) shall be Gold Xi Commercial Electric Model Number _____ as manufactured by A. O. Smith Water Products Company or equivalent. Heater(s) shall be rated at _____ kW _____ V _____ phase, 60 cycle AC as listed by Underwriters' Laboratories. All models meet National Sanitation Foundation NSF-5 requirements. Water heater shall have LCD display with built-in diagnostic and troubleshooting information. Tank(s) shall be _____ (50, 80 or 119) gallon capacity with _____ (150 [Std] or 160 [ASME]) psi working pressure and equipped with dual extruded high density anodes. All internal surfaces of the heater(s) exposed to water shall be glass-lined with an alkaline borosilicate composition that has been fused to steel by firing at a temperature range of 1400°F to 1600°F. Electric heating elements shall be 24K Goldenrod medium watt density screw-in type with Incoloy sheath and ceramic terminal block. Internal power circuit fusing shall be provided. Element operation shall be linear sequencing through individual magnetic contactors. Control circuit shall be factory fused and include an immersion thermistor temperature probe with built in ECO control. Control cabinet and jacket shall be of baked enamel finish and shall provide full size control and element compartment for complete service and maintenance performance through front hinged compartment door, and enclose tank with foam insulation. 1 1/4" inlet and outlet connection shall be provided. The heater tank shall have a three year limited warranty and controls and accessories shall have a one year limited warranty as outlined in the written warranty. Fully illustrated instruction manual to be included. For multiple installation, factory built manifold kits for _____ (2, 3 or 4) heater installation shall be provided. Meets or exceeds the thermal efficiency and standby loss requirements of the U.S. Department of Energy and current edition of ASHRAE/IES 90.1. Water heater should incorporate the iCOMM™ system for remote monitoring, leak detection and fault alert.

For technical information, call 800-527-1953. A. O. Smith Corporation reserves the right to make product changes or improvements without prior notice.