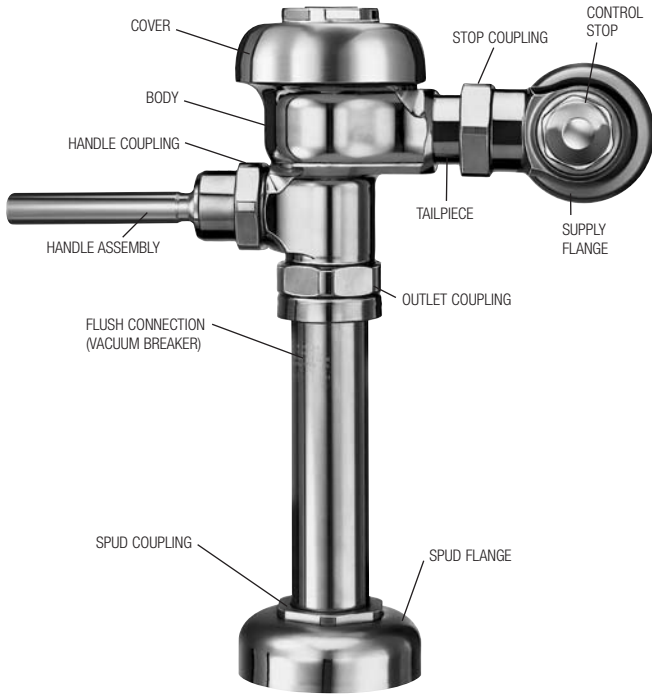


# Regal® Flushometer

NOTE: Also for use with Regal® XL  
(Since mid-2010)

Manual  
Flushometers



## MASTER FLUSHOMETER REBUILDING KITS (SEE PARTS LIST – ON PREVIOUS PAGE)

Refer to Parts List. Includes Items 7, 13, 16 & 20

Code No.	Part No.	Description
<b>3317001</b>	R-1001-A	Rebuild Kit (4.5 gpf/17.0 Lpf) Closet/Service Sink
<b>3317002</b>	R-1002-A	Rebuild Kit (1.5 gpf/5.7 Lpf) Urinal
<b>3317003</b>	R-1003-A	Rebuild Kit (3.5 gpf/13.2 Lpf) Closet
<b>3317004</b>	R-1004-A	Rebuild Kit (1.6 gpf/6.0 Lpf) Closet
<b>3317005</b>	R-1005-A	Rebuild Kit (1.0 gpf/3.8 Lpf) LC Urinal
<b>3317011</b>	R-1011-A	Rebuild Kit (0.5 gpf/1.9 Lpf) Urinal
<b>3317012</b>	R-1012-A	Rebuild Kit (2.4 gpf/9.0 Lpf) Closet

## REPAIR KIT WASHER SET (SEE PARTS LIST – ON PREVIOUS PAGE)

<b>5301189</b>	A-156-AA	Repair Kit Washer Set – Includes: 4, 5, 8 & 14
----------------	----------	--

## ITEM 7. INSIDE PARTS KITS (SEE ILLUSTRATIONS BELOW)

Item No.	Code No.	Part No.	Application
A.	<b>3301036</b>	A-36-A	4.5 gpf/17.0 Lpf - Closet
B.	<b>3301037</b>	A-37-A	1.5 gpf/5.7 Lpf - Urinal
C.	<b>3301038</b>	A-38-A	3.5 gpf/13.2 Lpf - Closet
D.	<b>3301041</b>	A-41-A	1.6 gpf/6.0 Lpf - Closet
E.	<b>3301044</b>	A-42-A	1.0 gpf/3.8 Lpf - Urinal
F.	<b>3301081</b>	A-43-A	0.5 gpf/1.9 Lpf - Urinal
G.	<b>3301024</b>	A-44-A	2.4 gpf/9.0 Lpf - Closet

## ITEM 7. INSIDE PARTS COMPONENTS (SEE ILLUSTRATIONS BELOW)

Item No.	Code No.	Part No.	Description
3A.	<b>5301058</b>	A-19-AC	Relief Valve, White (Closet) – 12 per pkg.
3B.	<b>5301059</b>	A-19-AU	Relief Valve, Black (Urinal) – 12 per pkg.
3C.	<b>5301211</b>	A-19-ALC	Relief Valve, Green (Closet/Urinal-LC) – 12 per pkg.
3D.	<b>0301143</b>	A-19-AL	Relief Valve, Blue (9 Liter Closet) – 12 per pkg.
4.	<b>5301111</b>	A-15-A	Disc – for all Inside Parts Kits – 12 per pkg.
5.	<b>5301188</b>	A-156-A	Diaphragm – for all Inside Parts Kits – 12 per pkg.
6A.	<b>5301236</b>	A-163-A	Guide Assembly 4.5 gpf/17.0 Lpf Closet & 1.5 gpf/5.7 Lpf Urinal – 12 per package
6B.	<b>5301032</b>	A-152-A	Guide Assembly 3.5 gpf/13.2 Lpf Closet – 12 per package
6C.	<b>5301031</b>	A-151-A	Guide Assembly 1.6 gpf/6.0 Lpf LC Closet – 12 per package
6D.	<b>5301155</b>	A-155-A	Guide Assembly 1.0 gpf/3.8 Lpf LC Urinal – 12 per package
6E.	<b>5301157</b>	A-157-A	Guide Assembly 0.5 gpf/1.9 Lpf Urinal – 12 per package

