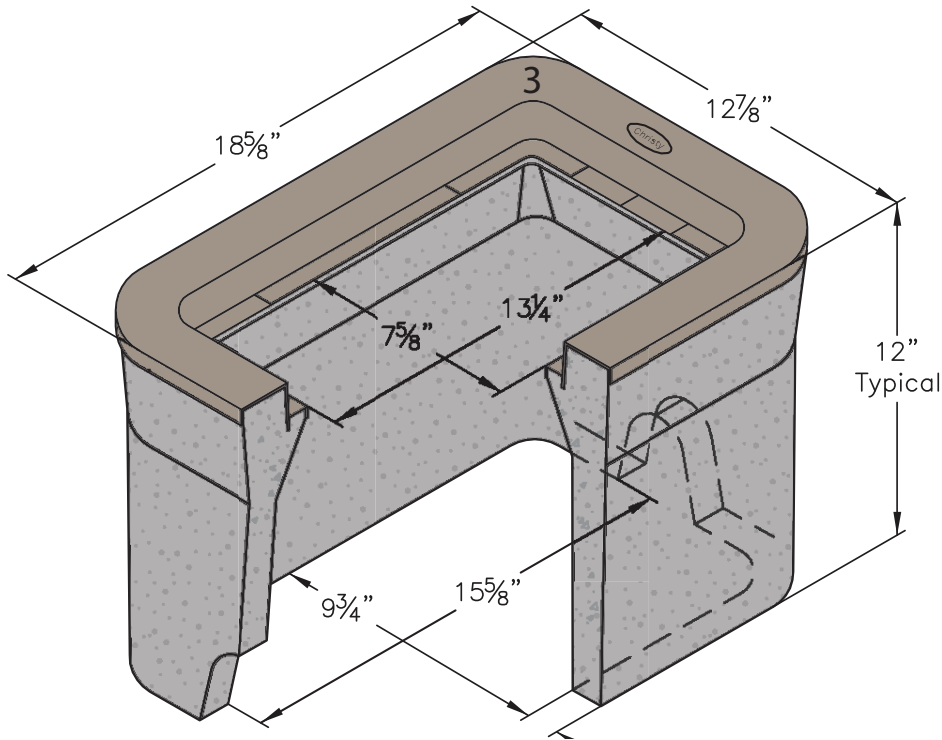
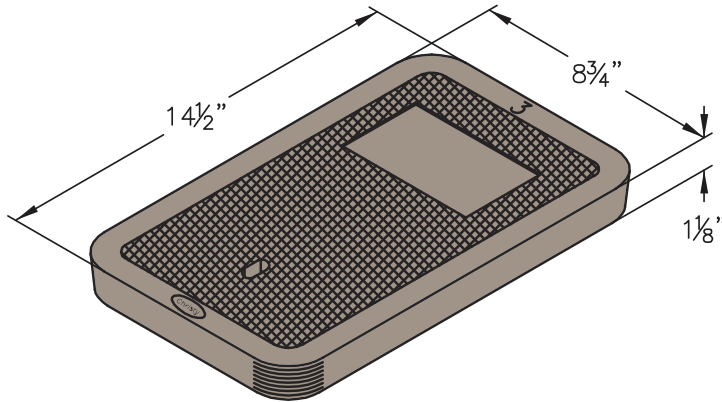


B03



COVER:

Style: Flush
 Material: Reinforced Concrete
 Model: 9" x 14"
 Weight: 12 lbs
 Options: Special Markings
 Surface: Skid Resistant & Marked*
 Coefficient of Friction: >0.6 ASTM 1028
 Performance: ASTM C 857, WUC 3.6

BODY:

Material: Reinforced Concrete with Composite Cap
 Model: 9" x 14"
 Weight: 74 lbs
 Wall Type: Straight
 Mouseholes: 0 - 2
 Performance: ASTM C 857, WUC 3.6

EXTENSION:

Material: Reinforced Concrete
 Depth: 12"
 Weight: 87 lbs



Light Duty:
Pedestrian Only

We do not recommend installation in concrete or asphalt.

Actual load rating is determined by the box and cover combination. Weights and dimensions may vary slightly.

*Cover comes standard with permanent markings for manufacturer, load rating, model size and manufacturing location.

Contact your Oldcastle Enclosure Solutions Distribution Center for specific information and additional options.

B03

Options:

Concrete Covers:

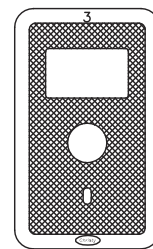
- Flush Solid (Standard)
- Flush Solid with AMR Opening

Cast Iron Covers:

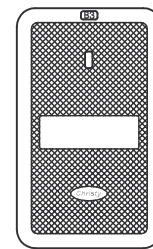
- Flush Solid

Steel Checker Plate Covers:

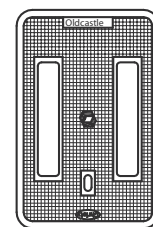
- Solid
- Galvanizing Available



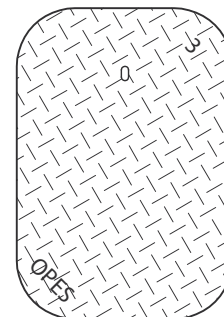
Concrete
with AMR Hole



Concrete
Flush



Cast Iron



Steel

Product Load Rating:



Light Duty : Pedestrian Only

Note:

Actual load rating is determined by the box and cover combination. Weights and dimensions may vary slightly. All information contained on this sheet is current at the time of printing. Oldcastle Precast, Inc. reserves the right to discontinue or update product information without notice.

