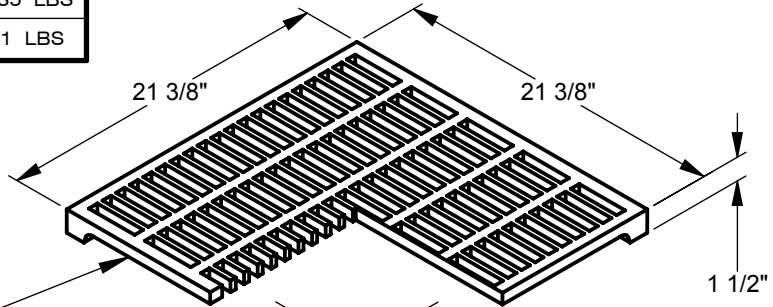


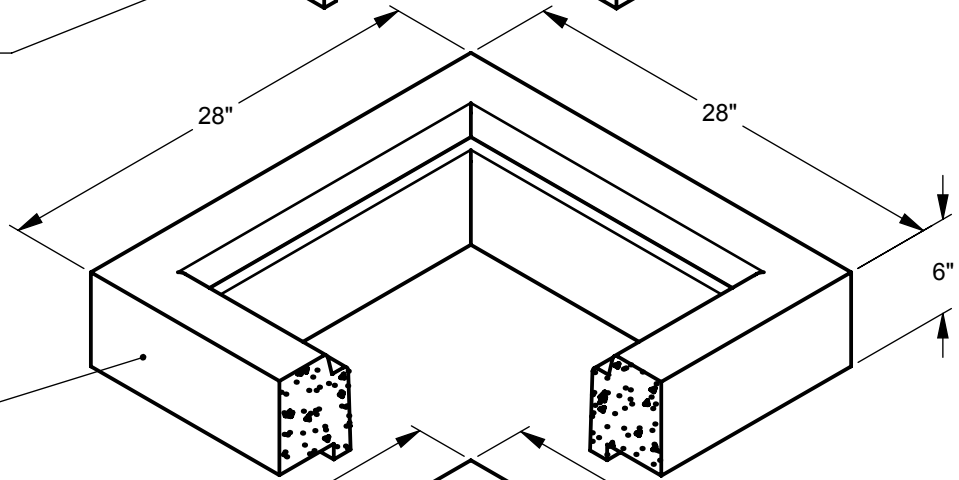
### CONFIGURATION BLOCK

PART NO.	DESCRIPTIONS	HEIGHT	WEIGHT
1818V	BASE NO FRAME	18"	415 LBS
1818X	EXT. NO FRAME	6"	235 LBS
1818GCIP	PARKWAY GRATE	N/A	61 LBS

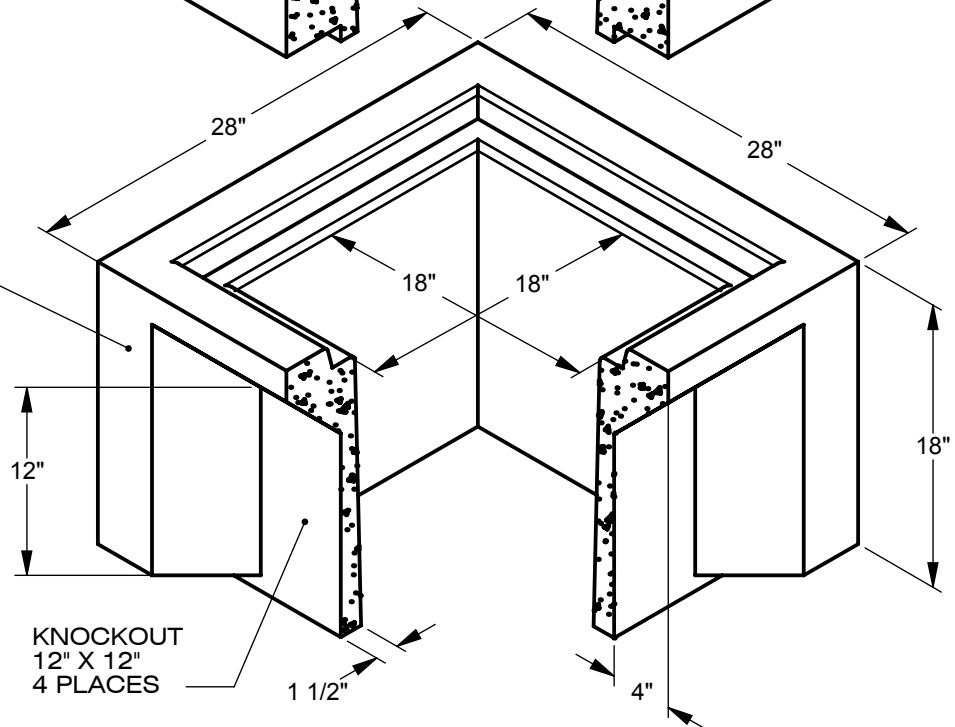
**CAST IRON  
PARKWAY GRATE**



**EXTENSION  
(OPTIONAL)**



**BASE SECTION**



**KNOCKOUT  
12" X 12"  
4 PLACES**

**US**  
**CONCRETE**  
**PRECAST GROUP**

2735 Cactus Road  
San Diego, CA 92154  
Phone: (619) 240-8000  
Fax: (619) 661-1038

DESCRIPTION:

**18" X 18" DRAIN BOX PARKWAY**

**WEIGHT: SEE CONFIG. BLK.**

**CONCRETE: 5,000 PSI**

**WWW.SDPC.COM**

**NPCA CERTIFIED PLANT**

PART NO:

**1818V**