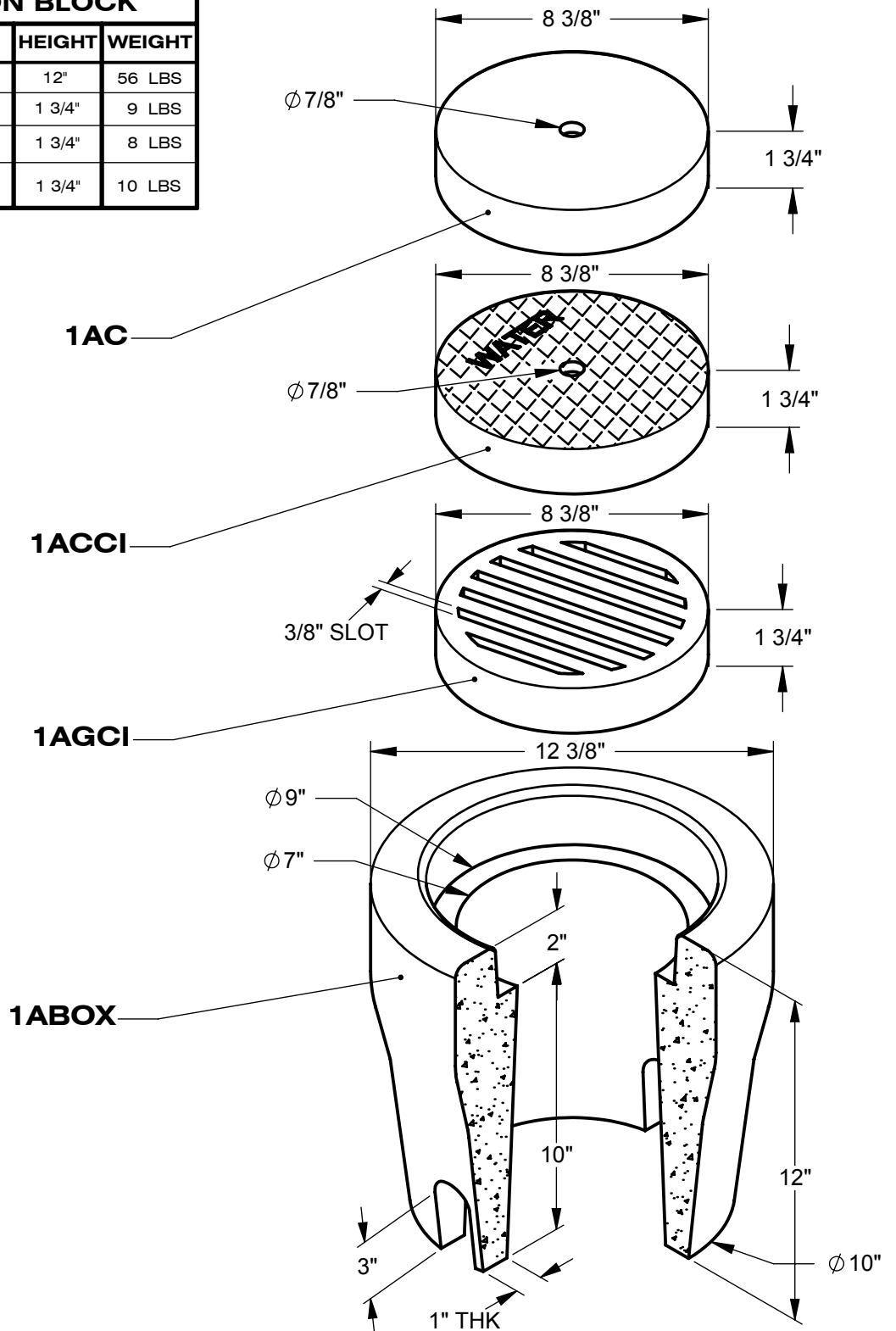


### CONFIGURATION BLOCK

PART NO.	DESCRIPTIONS	HEIGHT	WEIGHT
1ABOX	BOX	12"	56 LBS
1AC	COVER CONCRETE	1 3/4"	9 LBS
1ACCI	COVER CAST IRON	1 3/4"	8 LBS
1AGCI	COVER CAST IRON GRATE	1 3/4"	10 LBS



**US**   
**CONCRETE**  
**PRECAST GROUP**

2735 Cactus Road  
 San Diego, CA 92154  
 Phone: (619) 240-8000  
 Fax: (619) 661-1038

DESCRIPTION:

**VALVE BOX**

**WEIGHT: SEE CONFIG. BLK.**

PART NO:

**CONCRETE: 5,000 PSI**

**1A**

**WWW.SDPC.COM**

**NPCA CERTIFIED PLANT**