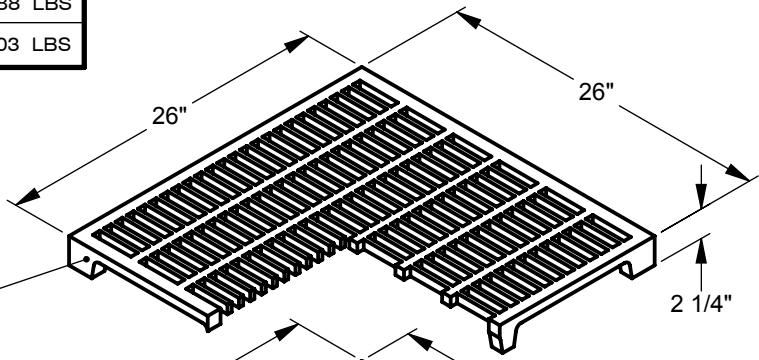


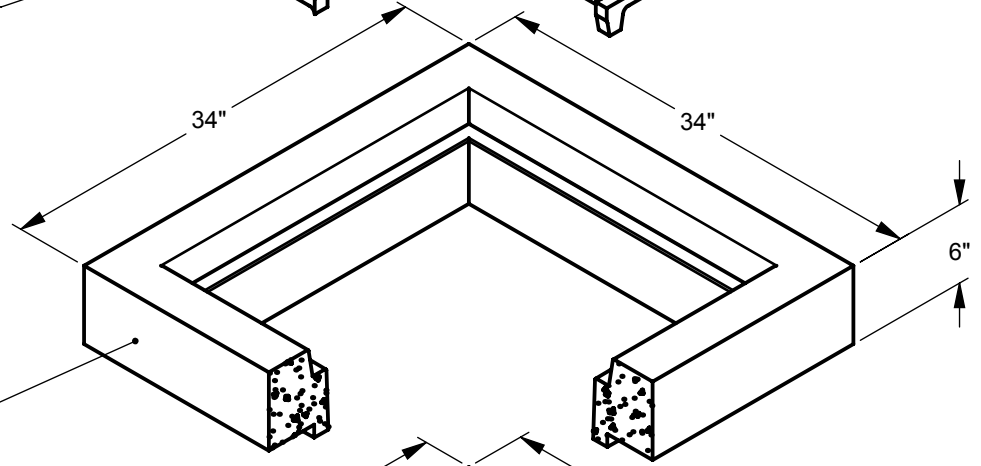
CONFIGURATION BLOCK

PART NO.	DESCRIPTIONS	HEIGHT	WEIGHT
2424V	BASE NO FRAME	18"	571 LBS
2424X	EXT. NO FRAME	6"	288 LBS
2424GCIP	PARKWAY GRATE	N/A	103 LBS

**CAST IRON
PARKWAY GRATE**

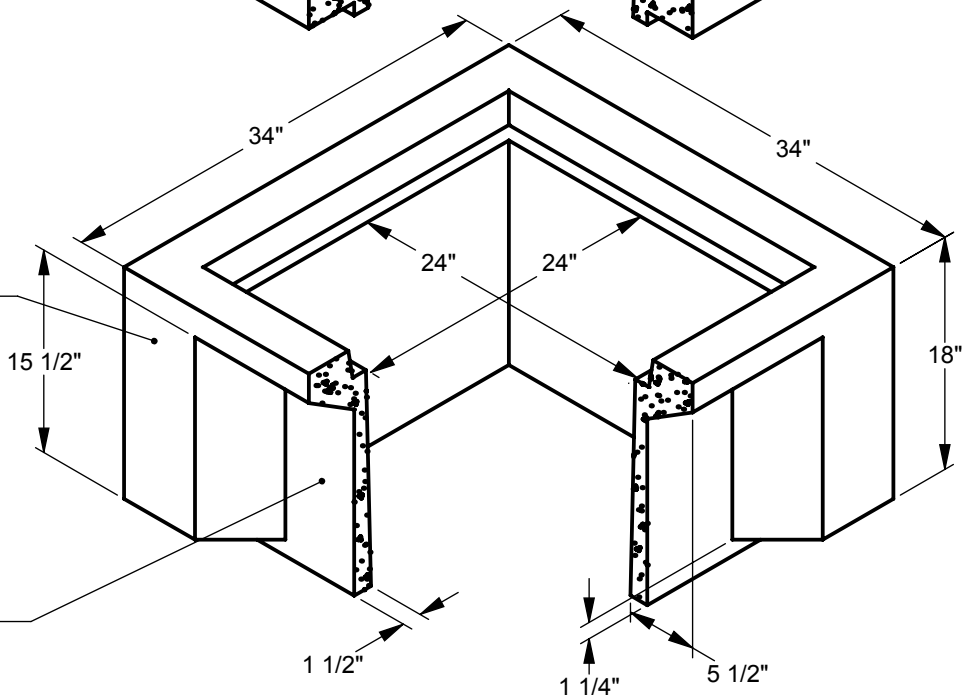


**EXTENSION
(OPTIONAL)**



BASE SECTION

**KNOCKOUT
14" X 14"
4 PLACES**



US
CONCRETE
PRECAST GROUP

2735 Cactus Road
San Diego, CA 92154
Phone: (619) 240-8000
Fax: (619) 661-1038

DESCRIPTION:

24" X 24" DRAIN BOX, PARKWAY

WEIGHT: SEE CONFIG. BLK.

CONCRETE: 5,000 PSI

WWW.SDPC.COM

NPCA CERTIFIED PLANT

PART NO:

2424V