



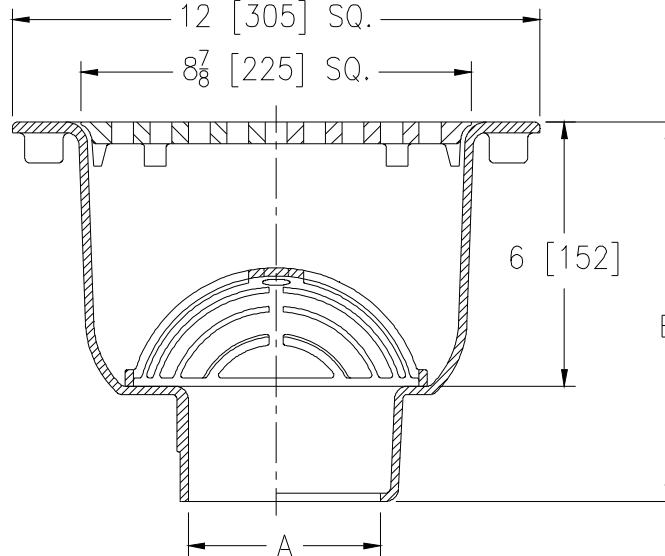
# Z1900

12 x 12 [305 x 305] A.R.E. SANI-FLOR RECEPTOR  
6 [152] SUMP DEPTH

SPECIFICATION SHEET

TAG \_\_\_\_\_

Dimensional Data (inches and [ mm ]) are Subject to Manufacturing Tolerances and Change Without Notice



| A<br>Pipe Size In.<br>[mm] | Approx<br>Wt.<br>Lbs. [kg] | Grate<br>Open Area<br>in <sup>2</sup> [cm <sup>2</sup> ] |
|----------------------------|----------------------------|--|
| 2, 3, 4 [51, 76, 102]      | 32 [15]                    | 31 [200]   |

### ENGINEERING SPECIFICATION: ZURN Z1900

Sani-Flor Receptor 12" x 12" x 6" [305mm x 305mm x 152mm] deep cast iron body and square, light-duty grate with 1/2" [13mm] slotted openings, white acid resisting porcelain enamel interior and top, complete with white ABS anti-splash interior bottom dome strainer.

### OPTIONS (Check/specify appropriate options)

#### PIPE SIZE

3, 4 [76, 102]  
2, 3, 4 [51, 76, 102]  
2, 3, 4 [51, 76, 102]

#### (Specify size/type) OUTLET

\_\_\_ IC Inside Caulk  
\_\_\_ NH No-Hub  
\_\_\_ NL Neo-Loc

#### 'E' BODY HT. DIMENSION

| Z           | ZN / ZS     |
|-------------|-------------|
| 8-5/8 [219] | 9-1/8 [232] |
| 8-5/8 [219] | 9-1/8 [232] |
| 8 [203]     | 8-1/2 [216] |

#### PREFIXES

\_\_\_ Z Cast Iron Body with White A.R.E. Interior\*  
\_\_\_ ZN Cast Iron Body with White A.R.E. Interior, 12-1/2 [317] Square N.B. Frame and Full Grate with 1/2 [13] Openings (Add 1/2 [13] to 12 [305] Dim.)  
\_\_\_ ZS Cast Iron Body with White A.R.E. Interior, 12-1/2 [317] Square Stainless Steel Frame and Full Grate with 1/2 [13] Openings (Add 1/2 [13] to 12 [305] Dim.)

#### SUFFIXES

|   |  |
|---|--|
| ___ -DX Dex-O-Tex Flange (ZN Only)  | ___ -3 3/4 Grate   |
| ___ -HD Stainless Steel Frame w/ X-Heavy Duty Stainless Steel Grate (ZS Only) | ___ -4 Full Grate w/ Center Opening (2 [51] Dia. for Z) and (3-1/32 [77] Square for ZN & ZS) |
| ___ -HP Heel-Proof Grate (ZN Only)  | ___ -6 Grate w/ 6 [152] Dia. x 6 [152] High Funnel   |
| ___ -K Anchor Flange  | ___ -8 Grate w/ 8-7/8 x 3-5/8 x 3-3/4 [225 x 92 x 95] High Oval Funnel                       |
| ___ -KC Anchor Flange with Seepage Holes and Clamp Collar                     | ___ -11 Vandal-Proof Secured Top (ZN & ZS Only)  |
| ___ -LD (Less) Bottom Dome Strainer   | ___ -15 Solid Loose Set Cover (Z & ZN Only)  |
| ___ -P 1/2 [13] Trap Primer Connection (See Z1023)                            | ___ -19 Full Hinged Grate (ZN Only)  |
| ___ -SA Stabilizer Assembly (See Z1903)                                       | ___ -23 Aluminum Bucket  |
| ___ -TC Neo-Loc Test Cap Gasket (2, 3, 4 [51, 76, 102] NL Bottom Outlet Only) | ___ -25 White A.R.C. Bucket  |
| ___ -VPS Vandal-Proof Strainer  | ___ -31 Stainless Steel Mesh Liner for Bucket  |
| ___ -1 (Less) Grate   | ___ -32 Aluminum Dome Strainer   |
| ___ -2 1/2 Grate  | ___ -33 White A.R.C. Anti-Splash Bottom Dome Strainer  |

\* Regularly furnished unless otherwise specified.

Zurn Industries, LLC | Specification Drainage Operation  
1801 Pittsburgh Avenue, Erie, PA U.S.A. 16502 · Ph. 855-663-9876, Fax 814-454-7929  
In Canada | Zurn Industries Limited  
3544 Nashua Drive, Mississauga, Ontario L4V 1L2 · Ph. 905-405-8272, Fax 905-405-1292  
[www.zurn.com](http://www.zurn.com)

Rev. M  
Date: 09/28/2017  
C.N. No. 138074  
Prod. | Dwg. No. Z1900