

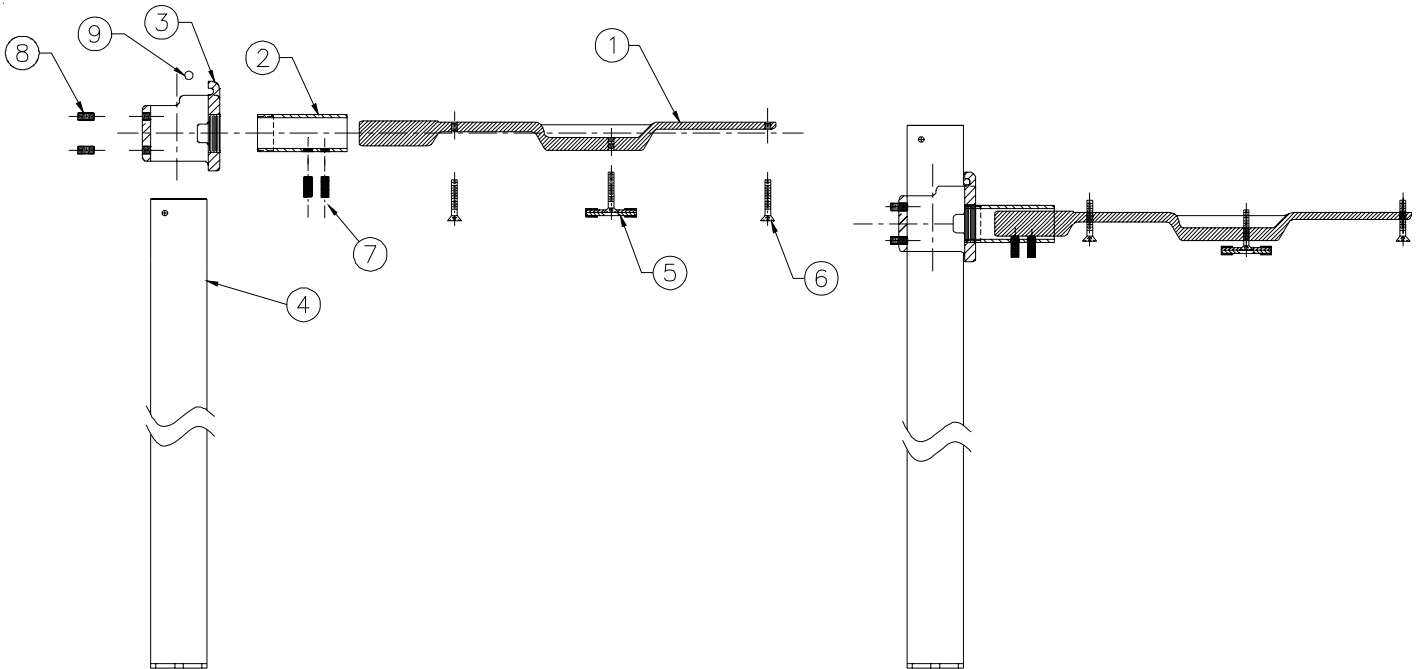


Z1231

CONCEALED ARM SYSTEM

EXPLODED PARTS LIST

Dimensional Data (inches and [mm]) are Subject to Manufacturing Tolerances and Change Without Notice



Z1231

PARTS LIST

Item	Name	Part Number	Quan.
*1	Arm	02008-XXX2	
*2	Sleeve (4[102] Standard)	82069	2
3	Header	56311-001	2
*4	Upright (36[914] Standard)	56289-027	2
5	Locking Device	30027-001	2
6	1/4-20 X 1-3/4[45] FHMS	23453-042	4
7	3/8 Allen Head Set Screw	18006	4
8	3/8-16 X 1/2[13] Socket Head Set Screw	18006-071	4
9	1/4 [6] Dia. x 24[610] Alignment Truss	28588-008	1

*Note: Sleeve and upright lengths, 4 [102] and 36 [914] respectively, are provided as standard.
Arm length is to be determined based upon corresponding fixture manufacturer and model.

Form # C26

Date: 08/23/10

C.N. No. 111580

Rev. C