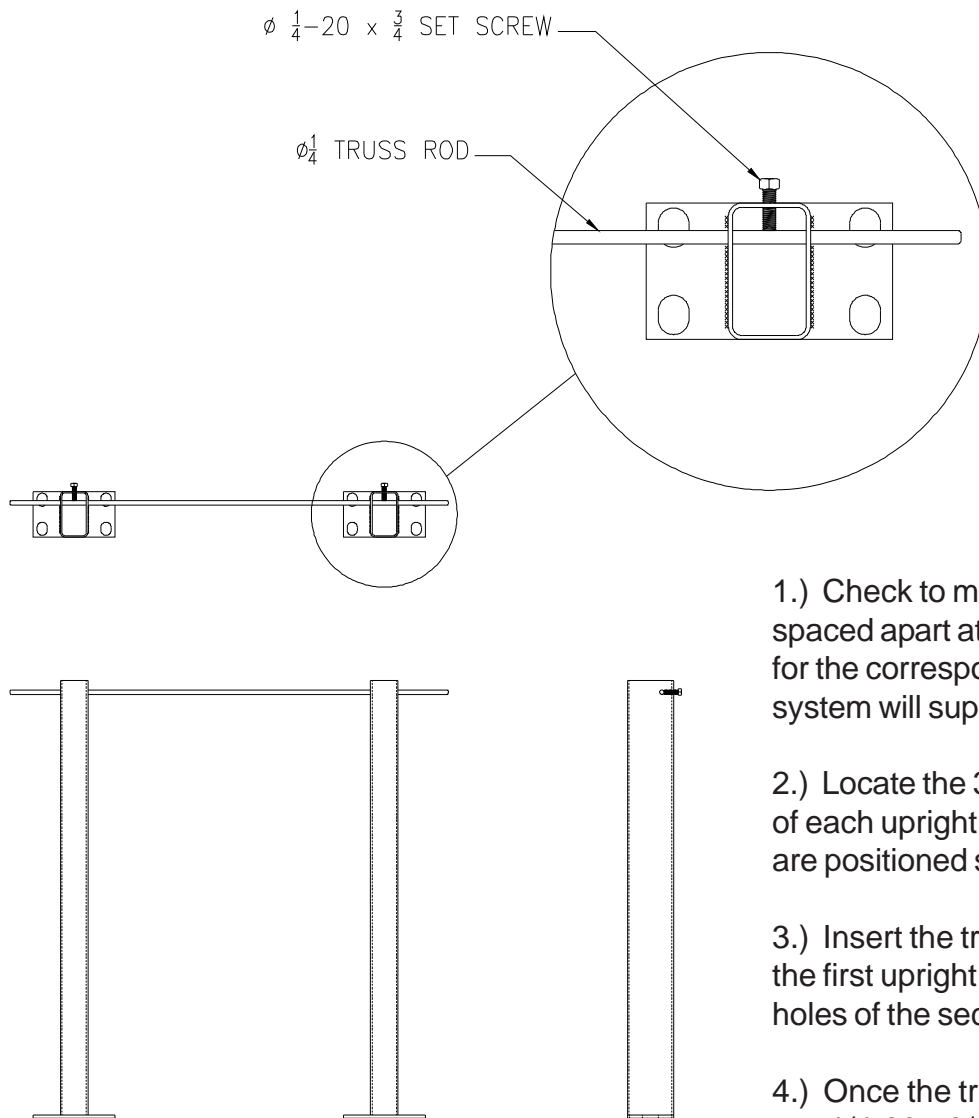




Z1231-D and Z1236 Truss Rod Assembly Instructions

The Z1231-D Concealed Arm Back-to-Back Carrier System and Z1236 Exposed Arm Carrier System are furnished as standard with a Truss Rod component that is intended to help secure and tie together the uprights within the system.

There are two methods that can be followed to attach and secure the Truss Rod to the carrier system (shown below). Either method is acceptable and should be followed when installing all applicable carrier systems.

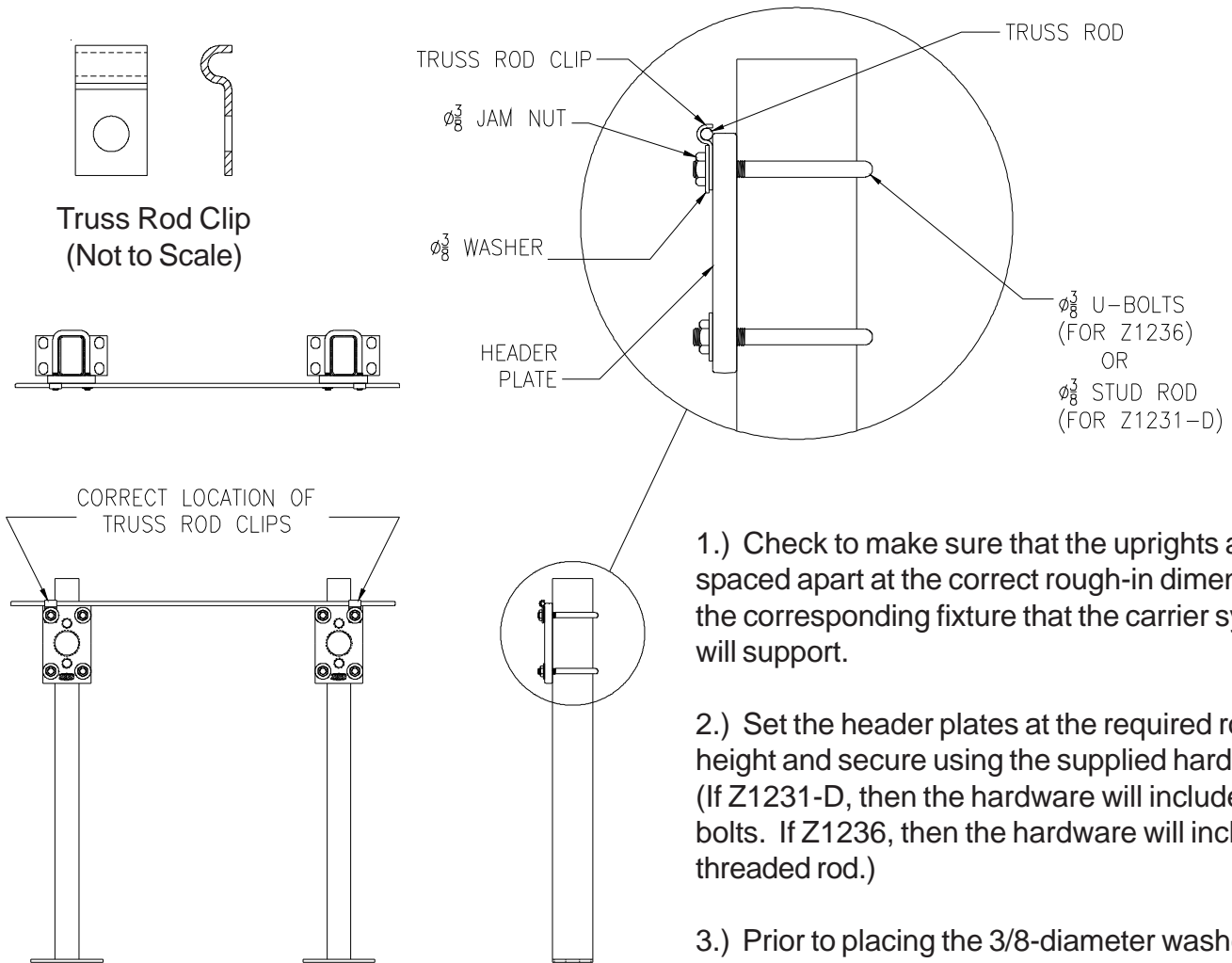


- 1.) Check to make sure that the uprights are spaced apart at the correct rough-in dimension for the corresponding fixture that the carrier system will support.
- 2.) Locate the 3/8-diameter holes near the top of each upright and make sure that the uprights are positioned so that the holes are in line.
- 3.) Insert the truss rod through the two holes of the first upright and continue through the two holes of the second upright.
- 4.) Once the truss rod is in place, insert the two 1/4-20 x 3/4 set screws into the adjacent tappings on the uprights and tighten down the screws until the truss rod is firmly secured.



Z1231-D and Z1236 Truss Rod Assembly Instructions

If the hardware bag provided with the carrier system contains Truss Rod Clips, these clips can be used as part of an alternate method to secure the truss rod to the carrier (see below).



1.) Check to make sure that the uprights are spaced apart at the correct rough-in dimension for the corresponding fixture that the carrier system will support.

2.) Set the header plates at the required rough-in height and secure using the supplied hardware. (If Z1231-D, then the hardware will include U-bolts. If Z1236, then the hardware will include threaded rod.)

3.) Prior to placing the 3/8-diameter washers over the U-bolts or threaded rods, place a truss rod clip over the upper right and upper left locations of the header plate, as indicated on the diagram.

4.) Place a 3/8-diameter washer over the truss rod clip and proceed to place washers on all other remaining studs or U-bolts.

5.) Using the 3/8 jam nuts provided, thread the nuts onto the fasteners loosely.

6.) Insert the truss rod through the circular portion of each truss rod clip, ensuring that the uprights still remain in the correct positioning and spaced apart accordingly.

7.) Tighten down the jam nuts until the truss rod and header plates are firmly secured to the uprights.