

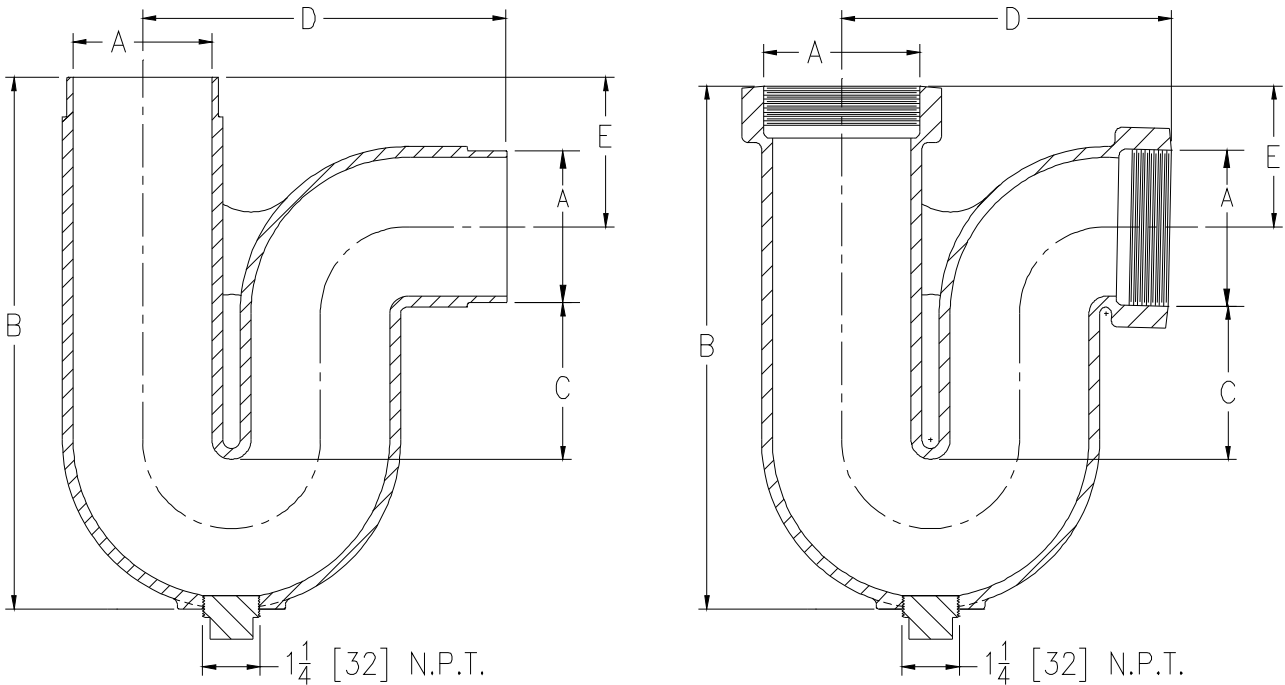


# Z1000 DEEP SEAL TRAP

SPECIFICATION SHEET

TAG \_\_\_\_\_

Dimensional Data (inches and [ mm ]) are Subject to Manufacturing Tolerances and Change Without Notice



Dimensions In Inches					Approx. Wt. Lbs. [kg]
A Pipe Size	B	C	D	E	
Threaded					
2 [50]	9-1/2 [241]	4 [102]	5-7/8 [149]	1-3/4 [44]	8 [4]
3 [75]	13 [330]	5 [127]	7-1/2 [190]	3 [76]	17 [8]
4 [100]	15 [381]		9-1/2 [241]	4 [102]	32 [14]
No-Hub					
2 [50]	10-1/2 [267]	4 [102]	6-1/2 [165]	2-3/4 [70]	8 [4]
3 [75]	13-1/2 [343]	5 [127]	8 [203]	3-1/2 [89]	17 [8]
4 [100]	15-1/4 [387]		9-1/2 [241]	4-1/4 [108]	32 [14]

**ENGINEERING SPECIFICATION:** ZURN Z1000 Deep Seal Trap, Dura-Coated cast iron body with bottom bronze cleanout plug.

**CONNECTIONS** (Check/specify appropriate options)

**PIPE SIZE**

2-3-4 [50-75-100]  
2-3-4 [50-75-100]

(Specify size/type) **CONNECTION**

\_\_\_\_ IP Threaded  
\_\_\_\_ NH No-Hub

**PREFIXES**

\_\_\_\_ Z D.C.C.I. Body\*

**SUFFIXES**

\_\_\_\_ -FL Flushing Connection  
\_\_\_\_ -G Galvanized Cast Iron  
\_\_\_\_ -P Trap Primer Connection  
(Specify 1/2 [13] or 3/4 [19])

<b>REV. F</b>	<b>DATE: 10/28/10</b>	<b>C.N. NO. 120175</b>
<b>DWG. NO. 58885</b>	<b>PRODUCT NO. Z1000</b>	

\*REGULARLY FURNISHED UNLESS OTHERWISE SPECIFIED