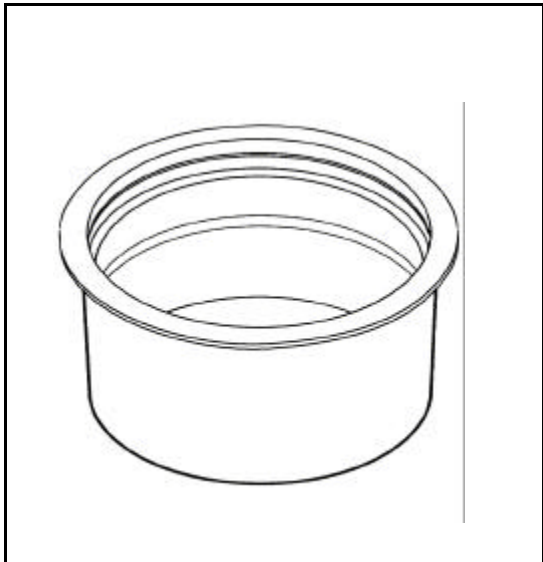


Specialty Products™



DESIGN FEATURES

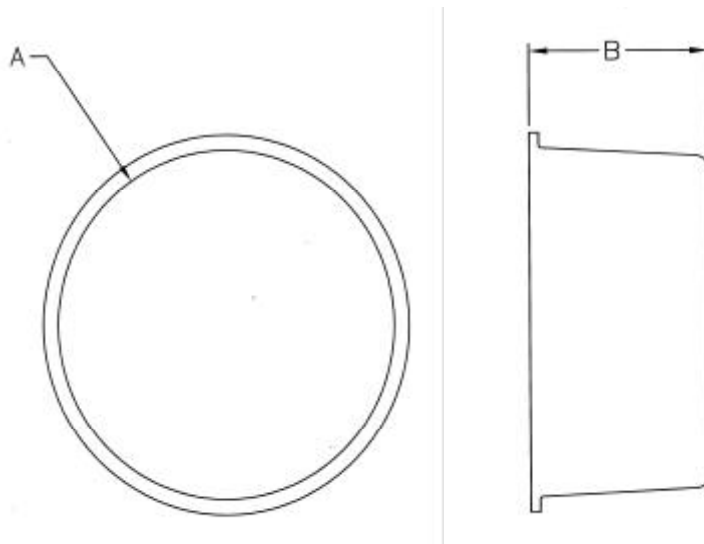
- Designed for ABS and PVC Schedule 40 DWV pipe and fittings
- "Friction-Hold" test caps for one story testing
- No solvent cement required; cap slips over end of pipe or inserts into fitting
- Made in the USA

MATERIAL SPECIFICATIONS

- Constructed of flexible plastic
- Color: Orange

SLIP ON Specification Sheet

PART NO.	DESCRIPTION	MSTR CTN QTY/LBS
P-0018	SO 1-1/2"	900/26
P-0019	SO 2"	600/26
P-0020	SO 3"	280/27
P-0021	SO 4"	150/27



Part Number	A	B
P-0018	1-1/2"	1-11/64"
P-0019	2"	1-13/64"
P-0020	3"	1-21/32"
P-0021	4"	1-13/16"



3689 Arrowhead Drive, Carson City, NV 89706
 Phone (800) 854-3215 Fax (800) 243-1777
 E-mail sales@lspproducts.com Website www.lspproducts.com

Content matter is subject to change at any time. It is the user's responsibility to ensure the most updated revisions are obtained.

SP/S-2011 (05-03) Rev 2

Product Submittal	
Job Name	
Date	
Part Number	Quantity
Architect	
Contractor	