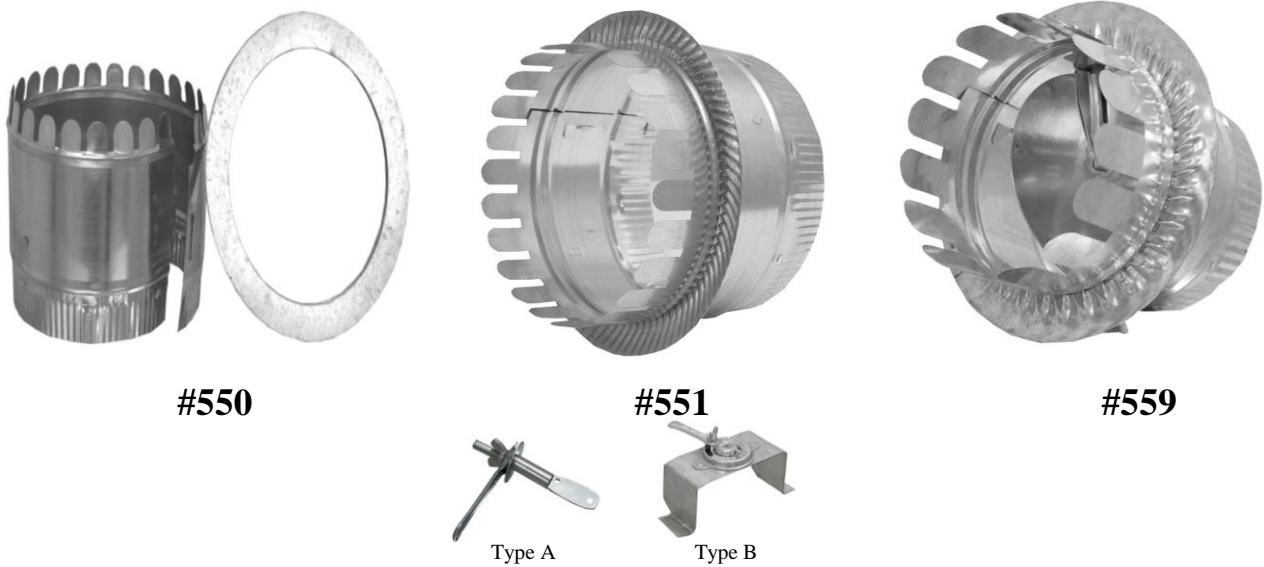


## #551 - #551R8 - #559 - #559R8 ASSEMBLED DUCTBOARD START COLLAR



- Constructed of ASTM-A653 CS Type B Galvanized Steel
- Sizes 4" through 20"
- Factory Assembled
- 1" Outside Ring
- Knock-Out Holes for Damper Installation
- Use **551** or **559** for R4.2 & R6 ductboard
- Use **551R8** or **559R8** for R6 & R8 ductboard
- Available with Damper – use Model #559 and 559R8
- Optional Type A or B damper

### Standard Gauge

4" to 9"	30 GA
10" to 18"	28 GA
20"	26 GA

**Submittal Approval:**

Job: \_\_\_\_\_  
 Location: \_\_\_\_\_  
 Engineer: \_\_\_\_\_

PO No: \_\_\_\_\_  
 Job No: \_\_\_\_\_  
 Representative: \_\_\_\_\_

**APPROVED for CONSTRUCTION:**

By: \_\_\_\_\_ Title: \_\_\_\_\_ Date: \_\_\_\_\_

4200 I 45, P.O. Box 1320, Ennis, TX 75120 Tel. (972) 875-5884 Fax (972) 875-0308  
 7951 East Evans Rd., San Antonio, TX 78266 Tel. (210) 651-5305 Fax (210) 651-5660