

Product Data



Fig. 1 — Sizes 18K to 48K



Fig. 2 — Size 60K

NOTE: Images are for illustration purposes **only**. Actual models may differ slightly.

INDUSTRY LEADING FEATURES / BENEFITS

Energy Efficiency

- 16.5 - 19 SEER2 / 10 - 12.5 EER2 / 9.0 - 10.3 HSPF2 IV

Sound

- Levels as low as 59 dB(A)

Design Features

- Small Footprint
- Integrated 24V and RS-485 communications

Reliability, Quality and Toughness

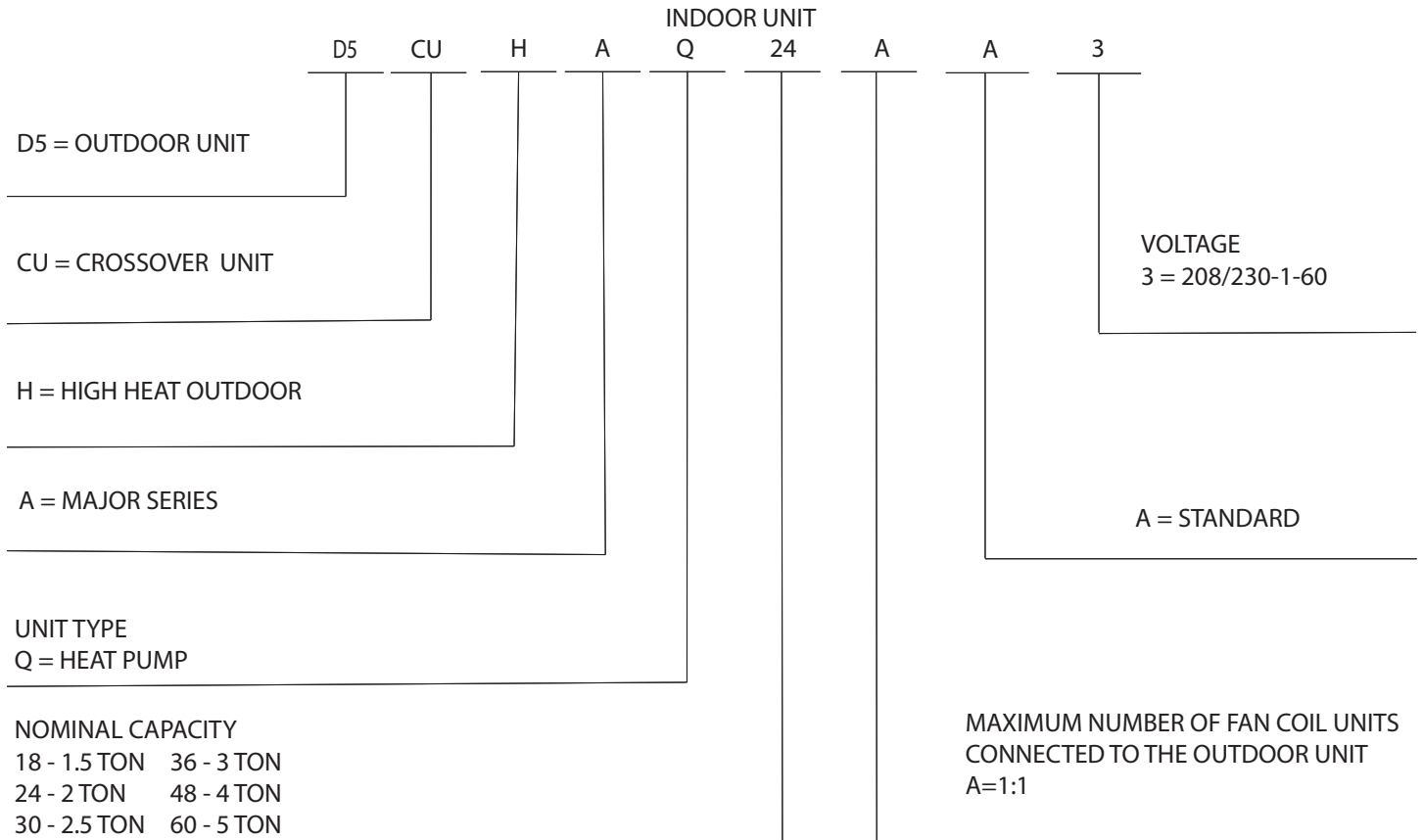
- Inverter-driven, variable speed, rotary Compressor
- Line lengths up to 213' (65 m)
- Low ambient operation on high heat models down to -22F (-30C) without the use of wind baffles
- Conventional line set sizes

NOTE: Ratings contained in this document are subject to change at any time. Always refer to the AHRI directory (www.ahridirectory.org) for the most up-to-date ratings information.

TABLE OF CONTENTS

MODEL NUMBER NOMENCLATURE	2
STANDARD FEATURES AND ACCESSORIES	3
DIMENSIONS	4
CLEARANCES	8
APPLICATION DATA	134
WIRING	134
SPECIFIC WIRING METHODS	135
SOUND PRESSURE	137
SOUND PRESSURE TESTING METHOD	137
SOUND PRESSURE OCTAVE TABLES	138
CAPACITY CORRECTION FACTOR FOR REFRIGERANT LINE SIZE DIAMETER	140
CAPACITY CORRECTION FACTOR FOR HEIGHT DIFFERENCE	140
REFRIGERANT CYCLE DIAGRAMS	144
ELECTRICAL DATA	146
24V CONNECTION DIAGRAMS	147
WIRING DIAGRAMS	151
GUIDE SPECIFICATIONS	155

MODEL NUMBER NOMENCLATURE



Use of the AHRI Certified TM Mark indicates a manufacturer's participation in the program For verification of certification for individual products, go to www.ahridirectory.org.



STANDARD FEATURES AND ACCESSORIES

FEATURES

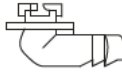



EASE OF INSTALLATION	
Low Voltage Controls	S
COMFORT FEATURES	
Microprocessor Controls	S
Auto Restart Function	S
Auto Changeover on Heat Pumps	S
ENERGY SAVING FEATURES	
Inverter Driven Compressor	S
46° F Heating Mode (Heating Setback)	S
SAFETY AND RELIABILITY	
3 Minute Time Delay For Compressor	S
High Compressor Discharge Temperature	S
Low Voltage Protection	S
Compressor Overload Protection	S
Compressor Over Current Protection	S
IPM Module Protection	S
Condenser High Temperature Protection in Cooling Mode	S
Aluminum Hydrophilic pre-coated fins	S
EASE OF SERVICE AND MAINTENANCE	
Diagnostics	S
Liquid Line Pressure Taps	S
APPLICATION FLEXIBILITY	
Crankcase Heater	S
Multi-poise Installation	S

Legend

S - Standard

A - Accessory

ACCESSORIES

NAME	IMAGE	QUANTITY
Drain Fitting		1
Gasket NOTE: Sizes 48K and 60K will not require the gasket.		1
Flare-to braze adapter		2
5/8 flare→3/4 flare adapter (For 18K Regular Heat Series)		1
6 Foot Drain Tubing		1

NOTE: The base pan is built in with multiple holes for proper draining during the defrost process. For applications where it is required to seal these holes, and re-direct the condensate drain, rubber plugs are available through RCD.

Outdoor Units

Crankcase Unit

The crankcase heater is standard on all unit sizes. Heater clamps must be placed around the compressor oil sump.

Base pan Heater

The base pan heater is standard on all unit sizes.

DIMENSIONS

Table 1 — Dimensions and Weights

System Size		18K	24K	30K	36K	48K	60K
		(208/230 V)	(208/230 V)	(208/230 V)	(208/230 V)	(208/230 V)	(208/230 V)
Height (H)	in (mm)	26.50(673)	26.50(673)	31.89(810)	38.39(975)	38.39(975)	52.48(1333)
Width (W)	in (mm)	35.04(890)	35.04(890)	37.24(946)	38.58(980)	38.58(980)	37.48(952)
Depth (D)	in (mm)	13.46(342)	13.46(342)	16.14(410)	16.34(415)	16.34(415)	16.34(415)
Weight -Net	lbs. (kg)	101.41(46)	102.29(46.4)	164.02(74.4)	204.15(92.6)	201.06(91.2)	242.95(110.2)

Dimensions: inches (mm)

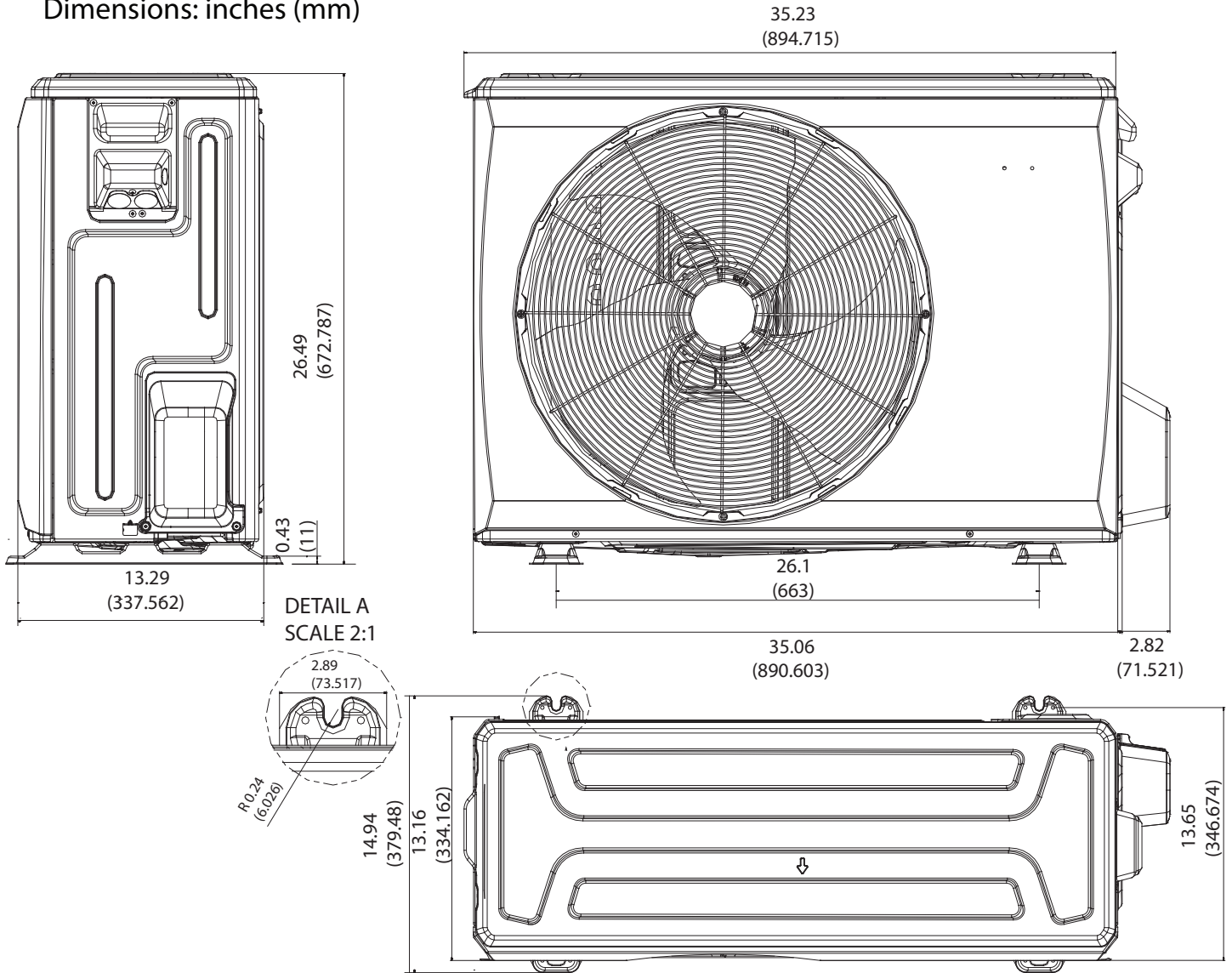
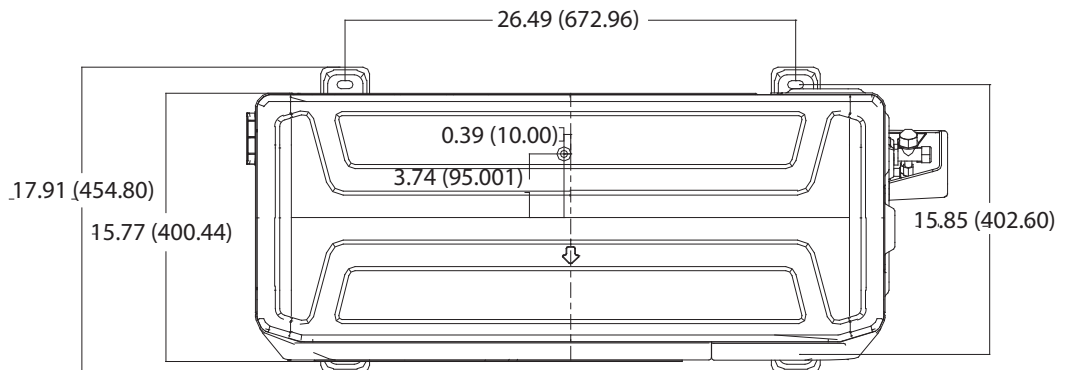
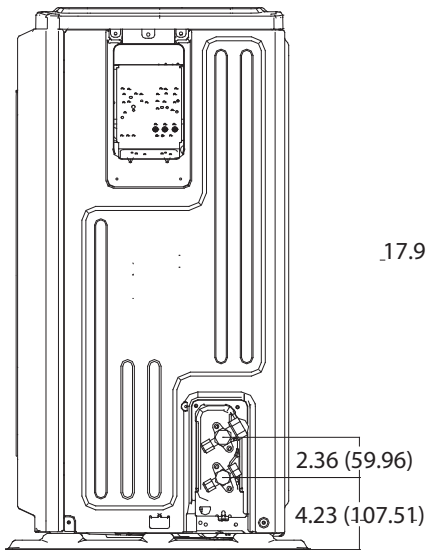
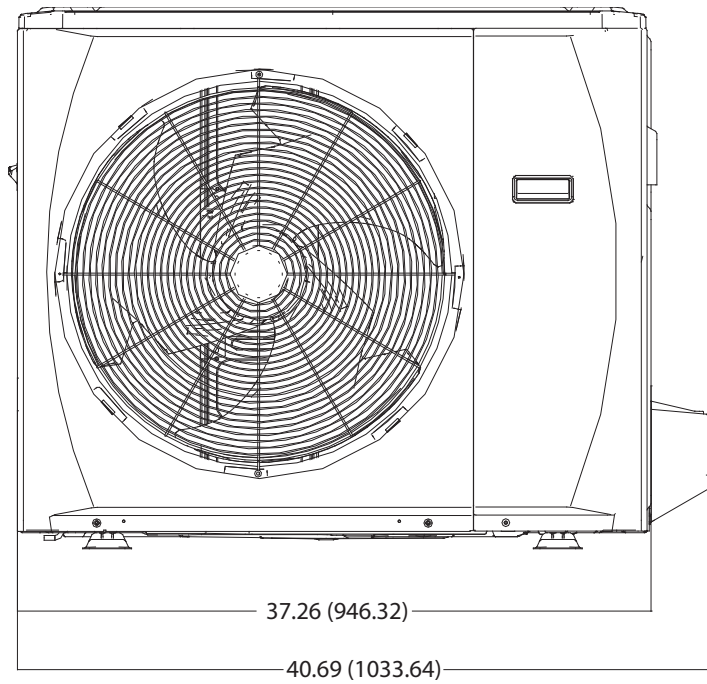
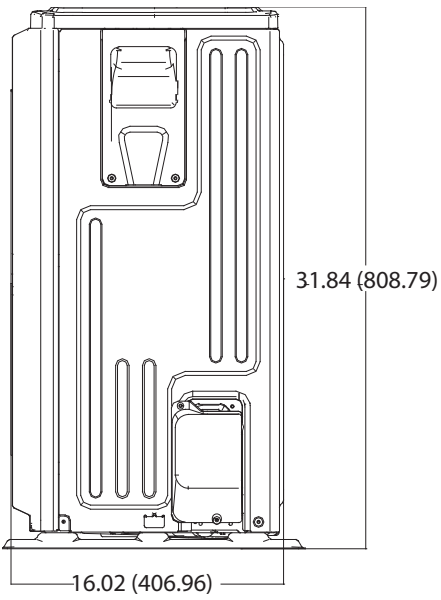


Fig. 3 — Sizes 18K / 24K

DIMENSIONS (CONT.)



Dimensions: inches (mm)

Fig. 4 —Size 30K

DIMENSIONS (CONT.)

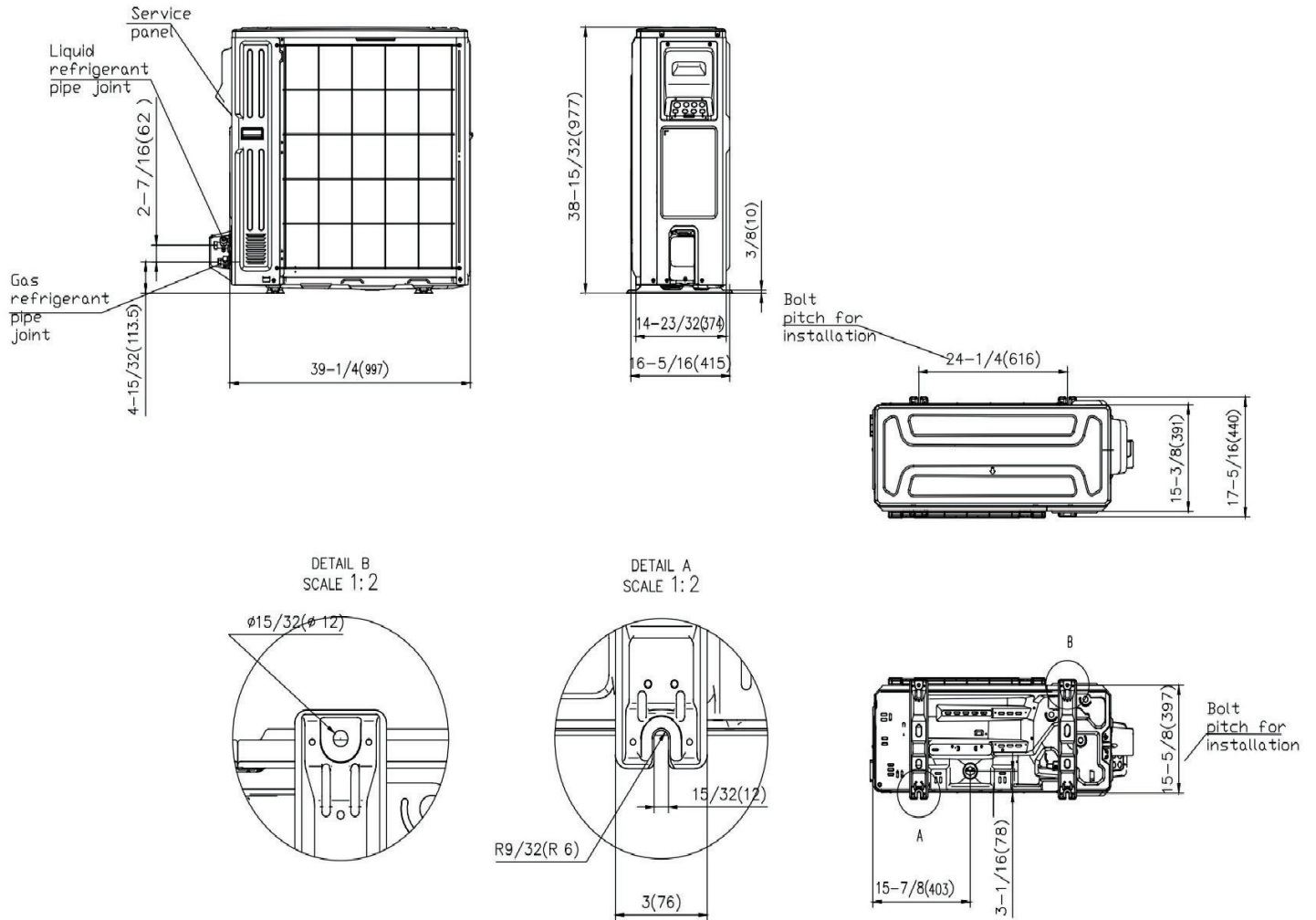
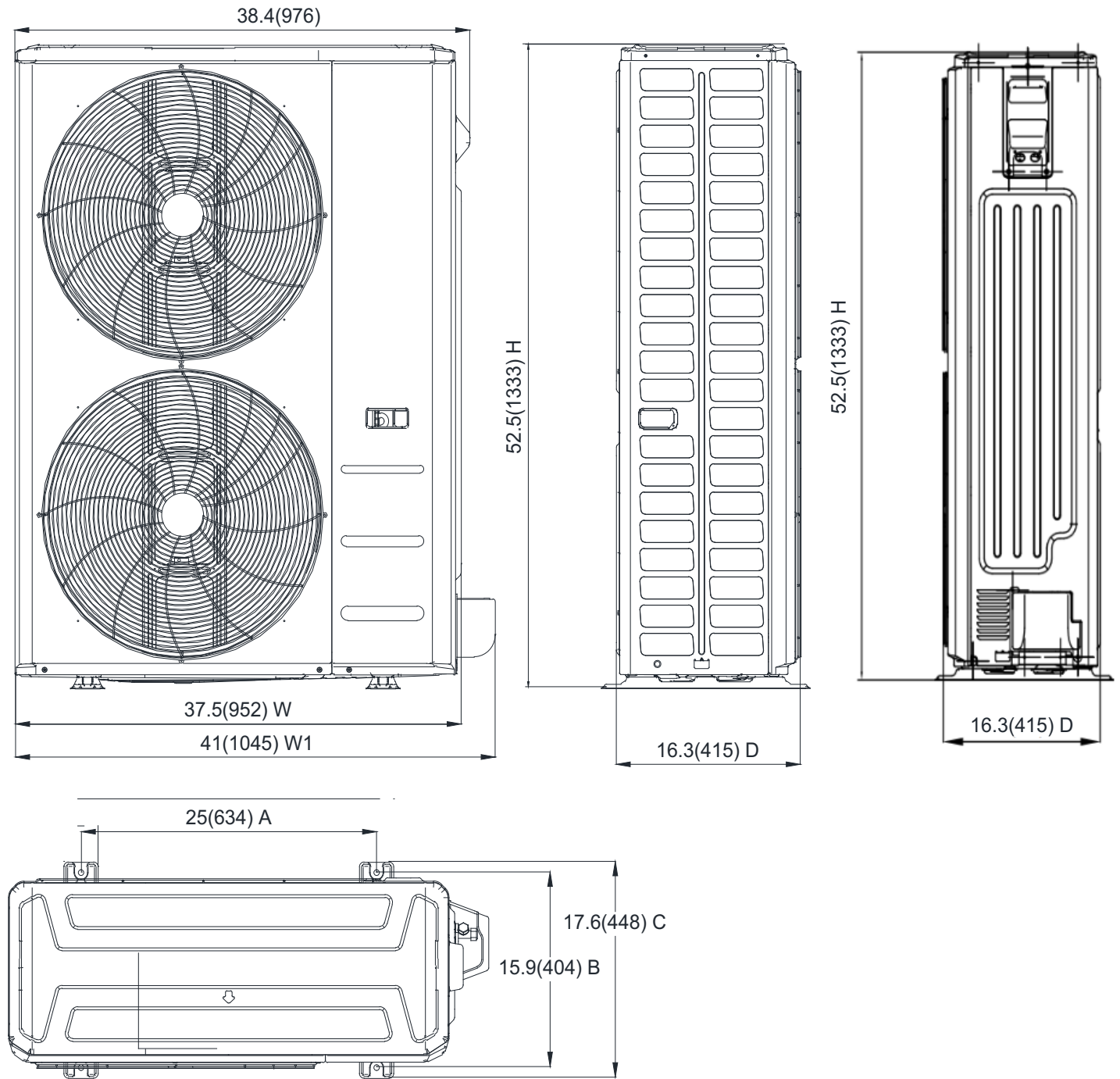


Fig. 5 —Size 36K / 48K

DIMENSIONS (CONT.)



Dimensions: inches (mm)

Fig. 6 — Sizes 60K

CLEARANCES

Clearances - Single Unit

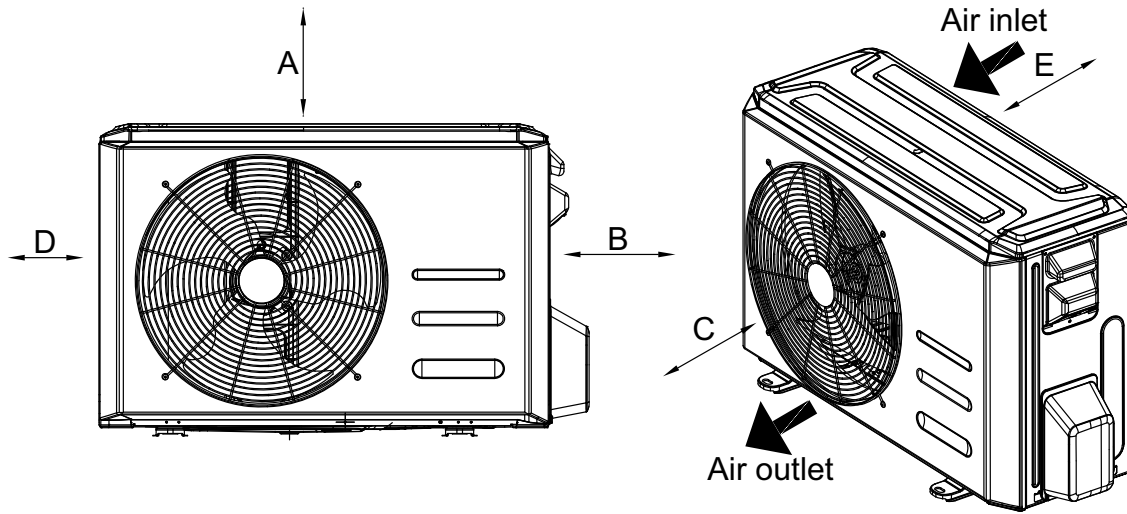


Fig. 7 — Clearances - Single Unit

Table 2 — Clearance Dimensions- Single Unit

UNIT	MINIMUM VALUE IN. (MM)
A	20 (508)
B	24 (610)
C	20 (508)
D	4 (101)
E	4 (101)

NOTE: The outdoor unit must be mounted at least 2in (50mm) above the maximum anticipated snow depth.

Clearance - Multiple Units

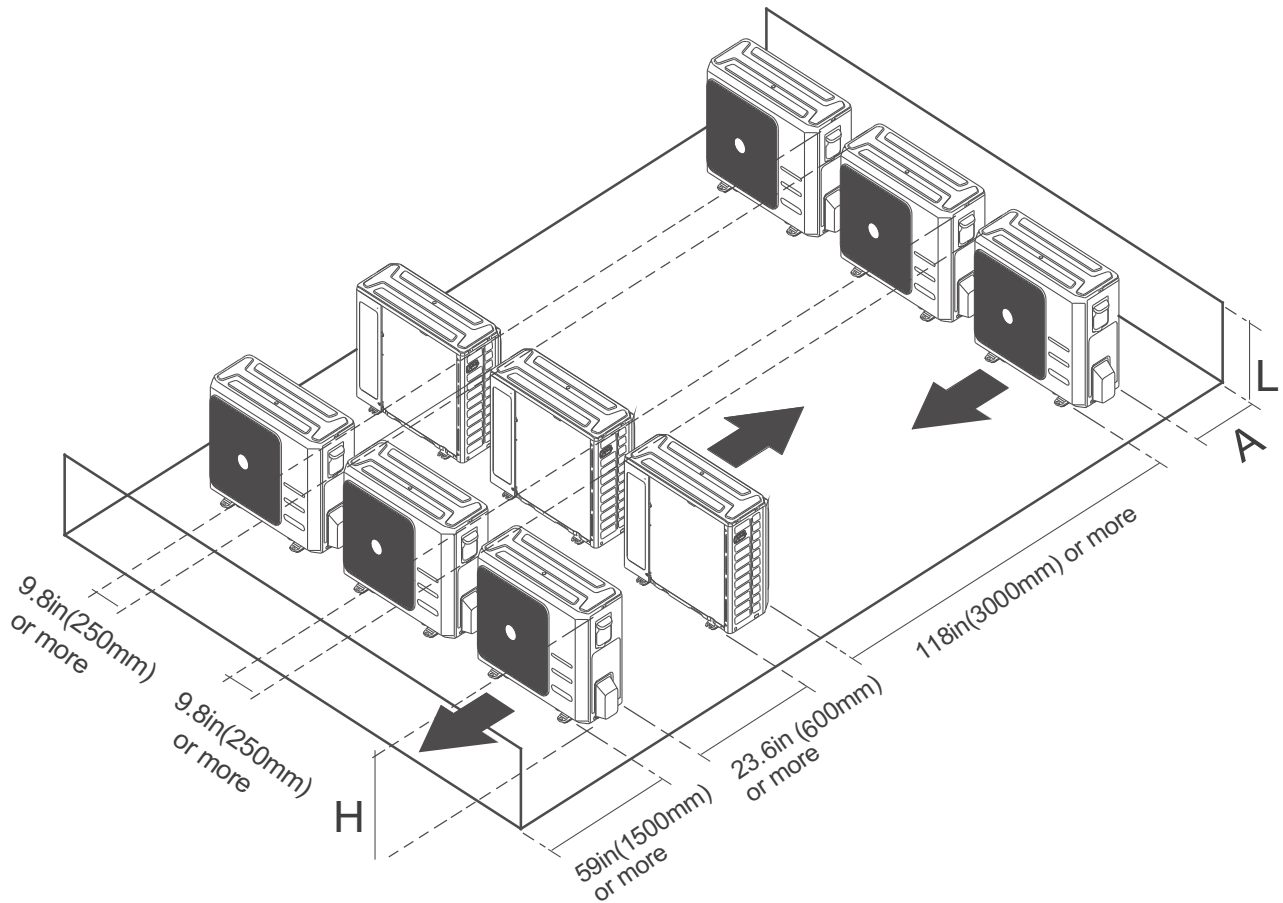


Fig. 8 —Installation Clearances for Multiple Units

Table 3 — Rows of Series Installation

	L	A
$L \leq H$	$L \leq 1/2H$	9-7/8in (250mm) or more
	$1/2H < L \leq H$	11-7/8in(300mm) or more
$L > H$	Cannot be installed	

DO NOT INSTALL UNIT IN THE FOLLOWING LOCATIONS

- Near an obstacle that will block air inlets and outlets.
- In a location that is exposed to large amounts of dust.
- Near animals or plants that will be harmed by hot air discharge.
- Near any source of combustible gas.
- Near a public street, crowded areas, or where noise from the unit will disturb others



CAUTION

SPECIAL CONSIDERATIONS FOR EXTREME WEATHER

If the unit is exposed to heavy wind:

Install unit so that air outlet fan is at a 90° angle to the direction of the wind. If needed, build a barrier in front of the unit to protect it from extremely heavy winds.

If the unit is frequently exposed to heavy rain or snow:

Build a shelter above the unit to protect it from the rain or snow. Be careful not to obstruct air flow around the unit.

PERFORMANCE

NOTE: Ratings contained in this document are subject to change at any time. For AHRI ratings certificates, refer to the AHRI directory www.ahridirectory.org

Heat Pump

Table 4: Pairing with D5FUAA

INDOOR MODEL		D5FUAAH18XAK	D5FUAAH24XAK	D5FUAAH30XAK	D5FUAAH36XAK	D5FUAAH48XAK	D5FUAAH60XAK	
OUTDOOR MODEL		D5CUHAH18AAK	D5CUHAH24AAK	D5CUHAH30AAK	D5CUHAH36AAK	D5CUHAH48AAK	D5CUHAH60AAK	
POWER SUPPLY		V;Ph;Hz	208/230V;1 Ph;60HZ	208/230V; 1Ph;60HZ	208/230V; 1Ph;60HZ	208/230V;1 Ph;60HZ	208/230V; 1Ph;60HZ	208/230V; 1Ph;60HZ
PERFORMANCE DATA	Cooling Rated Capacity (DOE A2 - 95°F)	Btu/h	18000	23000	30000	36000	48000	54000
	Cooling Capacity Range	Btu/h	5600~22000	7200~27000	12800~39000	9700~42000	15600~51000	11400~56300
	SEER2	Btu/h.W	19	18.4	16.9	17.4	16.5	16
	EER2 (DOE A2 - 95°F)	Btu/h.W	12.5	11.7	11.7	11.7	10.5	10
	Heating Rated Capacity (DOE H12 - 47°F)	Btu/h	19000	24000	34000	37000	50000	56000
	Heating Capacity Range	Btu/h	6000~22000	7100~30000	10300~38500	11000~48000	15500~57300	8100~64500
	COP (DOE H12 - 47°F)	W/W	3.2	3.33	3.65	3.6	3.4	3.1
	HSPF2 IV	Btu/h.W	9.8	10	10	10.3	9.5	9
	HSPF2 V	Btu/h.W	8	8	8.3	8.6	8	8
	Cooling Rated Capacity (DOE B2 - 82°F)	Btu/h	19400	24000	33000	39500	50000	49500
	EER2 (DOE B2 - 82°F)	Btu/h.W	16	14.3	15.1	14.3	12.5	11.5
	Heating Rated Capacity (DOE H32 - 17°F)	Btu/h	15000	20000	23800	31800	37000	45000
	COP (DOE H32 - 17°F)	W/W	2.6	2.42	2.77	2.55	2.7	2.39
	Heating Maximum Capacity (17°F)	Btu/h	21600	22000	37800	41000	48000	50400
	Heating Rated Capacity (ODE H42 - 5°F)	Btu/h	18000	21600	32600	39000	46000	52000
	COP (DOE H42 - 5°F)	W/W	2	1.87	1.96	1.9	1.9	1.8
	Heating Maximum Capacity (5°F)	Btu/h	18000	21600	32600	39000	46000	52000

Table 5: Pairing with D5FUHA

INDOOR MODEL		D5FUHAH24XAK	D5FUHAH24XAK	D5FUHAH36XA	D5FUHAH36XAK	D5FUHAH60XAK	D5FUHAH60XAK	
OUTDOOR MODEL		D5CUHAH18AAK	D5CUHAH24AAK	D5CUHAH30AAK	D5CUHAH36AAK	D5CUHAH48AAK	D5CUHAH60AAK	
POWER SUPPLY		V;Ph;Hz	208/230V; 1Ph;60HZ	208/230V; 1Ph;60HZ	208/230V; 1Ph;60HZ	208/230V; 1Ph;60HZ	208/230V; 1Ph;60HZ	
PERFORMANCE DATA	Cooling Rated Capacity (DOE A2 - 95°F)	Btu/h	18000	24000	30000	36000	48000	54000
	Cooling Capacity Range	Btu/h	4600~23100	6400~28700	11200~40000	12100~43000	18000~52000	11400~60000
	SEER2	Btu/h.W	19	18.7	17.2	18	17.5	17.5
	EER2 (DOE A2 - 95°F)	Btu/h.W	12.5	12	12.1	12	12	12
	Heating Rated Capacity (DOE H12 - 47°F)	Btu/h	18000	24000	33000	37000	48000	55000
	Heating Capacity Range	Btu/h	5700~23100	6700~29100	9700~35800	11400~47000	13500~52000	8600~60000
	COP (DOE H12 - 47°F)	W/W	3.6	3.49	3.54	3.5	3.28	3.35
	HSPF2 IV	Btu/h.W	10.2	10	10.8	10	9.5	9.5
	HSPF2 V	Btu/h.W	8.5	8.1	8.8	8.3	7.8	7.8
	Cooling Rated Capacity (DOE B2 - 82°F)	Btu/h	19900	25400	30800	36800	46500	50000
	EER2 (DOE B2 - 82°F)	Btu/h.W	16.3	14.4	15.1	14.2	13.4	13
	Heating Rated Capacity (DOE H32 - 17°F)	Btu/h	14700	19000	24000	31000	34000	35000
	COP (DOE H32 - 17°F)	W/W	2.66	2.64	2.7	2.5	2.55	2.5
	Heating Maximum Capacity (17°F)	Btu/h	19500	22800	24400	41500	48000	54000
	Heating Rated Capacity (ODE H42 - 5°F)	Btu/h	18600	20600	33200	37400	48000	54000
	COP (DOE H42 - 5°F)	W/W	2.12	2.14	1.97	1.9	2	1.9
Heating Maximum Capacity (5°F)	Btu/h	18600	20600	33200	37400	48000	54000	

HEATING AND COOLING PERFORMANCE - AIR HANDLER (D5CUHA + D5FUHA)

Table 6: Cooling Performance - 18K D5CUHA + D5FUHA (Sheet 1 of 9)

AIRFLOW (CFM)	OUTDOOR DB °F (°C)	ID WB(F)	60.8 (16.0)					64.4 (18.0)					67(19.4)					71.6(22.0)				
		ID DB(F)	73.4	77.0	80.0	80.6	84.2	73.4	77.0	80.0	80.6	84.2	73.4	77.0	80.0	80.6	84.2	73.4	77.0	80.0	80.6	84.2
			(23.0)	(25.0)	(26.7)	(27.0)	(29.0)	(23.0)	(25.0)	(26.7)	(27.0)	(29.0)	(23.0)	(25.0)	(26.7)	(27.0)	(29.0)	(23.0)	(25.0)	(26.7)	(27.0)	(29.0)
490	-22 (-30.0)	TC	14905	14925	14941	14942	14962	15803	15822	15837	15841	15859	16747	16769	16788	16791	16810	17756	17776	17795	17798	17820
		S/T	0.43	0.50	0.57	0.57	0.65	0.45	0.53	0.60	0.60	0.69	0.48	0.56	0.64	0.64	0.73	0.51	0.60	0.68	0.68	0.77
		PI	0.42	0.43	0.43	0.43	0.43	0.45	0.45	0.45	0.45	0.45	0.48	0.48	0.48	0.48	0.48	0.51	0.51	0.51	0.51	0.51
	-13°F (-25.0°C)	TC	16147	16169	16186	16187	16209	17120	17140	17157	17161	17181	18143	18166	18187	18190	18210	19236	19257	19278	19281	19305
		S/T	0.43	0.50	0.57	0.57	0.65	0.45	0.53	0.61	0.61	0.69	0.48	0.57	0.64	0.64	0.73	0.51	0.60	0.68	0.68	0.78
		PI	0.46	0.46	0.46	0.46	0.46	0.49	0.49	0.49	0.49	0.49	0.52	0.52	0.52	0.52	0.52	0.55	0.55	0.55	0.55	0.55
	-4°F (-20.0°C)	TC	17389	17412	17431	17432	17455	18437	18459	18477	18481	18503	19539	19564	19586	19589	19611	20716	20738	20761	20764	20790
		S/T	0.43	0.51	0.57	0.57	0.66	0.46	0.54	0.61	0.61	0.69	0.48	0.57	0.65	0.65	0.74	0.51	0.60	0.68	0.68	0.78
		PI	0.50	0.50	0.50	0.50	0.50	0.53	0.53	0.53	0.53	0.53	0.56	0.56	0.56	0.56	0.56	0.59	0.59	0.59	0.59	0.59
	0°F (-17.8°C)	TC	17941	17965	17985	17985	18010	19022	19045	19064	19067	19090	20159	20185	20207	20211	20234	21373	21397	21420	21423	21450
		S/T	0.43	0.51	0.58	0.58	0.66	0.46	0.54	0.61	0.61	0.70	0.49	0.57	0.65	0.65	0.74	0.52	0.60	0.69	0.69	0.78
		PI	0.51	0.51	0.51	0.51	0.51	0.54	0.54	0.54	0.54	0.54	0.57	0.57	0.58	0.58	0.58	0.61	0.61	0.61	0.61	0.61
	5°F (-15.0°C)	TC	18631	18656	18676	18677	18702	19754	19777	19797	19801	19824	20934	20961	20985	20989	21012	22195	22220	22244	22247	22275
		S/T	0.43	0.51	0.58	0.58	0.66	0.46	0.54	0.61	0.61	0.70	0.49	0.57	0.65	0.65	0.74	0.52	0.61	0.69	0.69	0.79
		PI	0.53	0.53	0.53	0.53	0.53	0.56	0.56	0.56	0.56	0.56	0.60	0.60	0.60	0.60	0.60	0.63	0.63	0.63	0.63	0.63
	14°F (-10.0°C)	TC	17757	17781	17800	17801	17825	18827	18850	18868	18872	18894	19952	19978	20000	20004	20026	21154	21177	21200	21204	21230
		S/T	0.44	0.51	0.58	0.58	0.66	0.46	0.54	0.62	0.62	0.70	0.49	0.57	0.65	0.65	0.74	0.52	0.61	0.69	0.69	0.79
		PI	0.59	0.60	0.60	0.60	0.60	0.63	0.63	0.63	0.63	0.63	0.67	0.67	0.67	0.67	0.67	0.71	0.71	0.71	0.71	0.71
	17°F (-8.3°C)	TC	17466	17489	17508	17509	17533	18518	18540	18559	18562	18584	19625	19650	19672	19676	19698	20807	20830	20853	20856	20882
		S/T	0.44	0.51	0.58	0.58	0.66	0.46	0.54	0.62	0.62	0.70	0.49	0.58	0.65	0.65	0.75	0.52	0.61	0.69	0.69	0.79
		PI	0.62	0.62	0.62	0.62	0.62	0.65	0.65	0.65	0.65	0.65	0.69	0.69	0.69	0.69	0.69	0.73	0.73	0.73	0.74	0.74
	23°F (-5.0°C)	TC	17395	17419	17438	17438	17462	18444	18466	18484	18487	18509	19546	19571	19593	19596	19618	20723	20746	20768	20772	20797
		S/T	0.44	0.52	0.59	0.59	0.67	0.47	0.55	0.62	0.62	0.71	0.49	0.58	0.66	0.66	0.75	0.52	0.61	0.70	0.70	0.79
		PI	0.64	0.65	0.65	0.65	0.65	0.68	0.68	0.68	0.68	0.69	0.72	0.72	0.73	0.73	0.73	0.77	0.77	0.77	0.77	0.77
35°F (1.7°C)	TC	17254	17278	17296	17297	17320	18294	18316	18334	18338	18359	19387	19412	19434	19438	19459	20555	20578	20600	20603	20629	
	S/T	0.44	0.52	0.59	0.59	0.67	0.47	0.55	0.62	0.62	0.71	0.50	0.58	0.66	0.66	0.75	0.53	0.62	0.70	0.70	0.80	
	PI	0.70	0.70	0.70	0.70	0.70	0.74	0.75	0.75	0.75	0.75	0.79	0.79	0.79	0.79	0.79	0.84	0.84	0.84	0.84	0.84	

Manufacturer reserves the right to change, at any time, specifications and designs without notice and without obligations.

Table 6: Cooling Performance - 18K D5CUHA + D5FUHA (Sheet 2 of 9)

Manufacturer reserves the right to change, at any time, specifications and designs without notice and without obligations.	490	41°F (5.0°C)	TC	15893	15914	15931	15932	15953	16850	16870	16887	16890	16910	17857	17880	17900	17904	17924	18933	18954	18974	18977	19001	
			S/T	0.44	0.52	0.59	0.59	0.67	0.47	0.55	0.62	0.62	0.71	0.50	0.58	0.66	0.66	0.75	0.53	0.62	0.70	0.70	0.80	
			PI	0.71	0.71	0.71	0.71	0.72	0.76	0.76	0.76	0.76	0.76	0.76	0.76	0.80	0.80	0.80	0.80	0.80	0.85	0.85	0.85	0.85
		47°F (8.3°C)	TC	14531	14550	14566	14567	14586	15407	15425	15440	15443	15461	16327	16348	16367	16370	16388	17311	17330	17349	17351	17373	
			S/T	0.44	0.52	0.59	0.59	0.67	0.47	0.55	0.63	0.63	0.71	0.50	0.58	0.66	0.66	0.76	0.53	0.62	0.70	0.70	0.80	
			PI	0.72	0.72	0.73	0.73	0.73	0.77	0.77	0.77	0.77	0.77	0.81	0.81	0.81	0.82	0.82	0.86	0.86	0.86	0.86	0.87	
		50°F (10.0°C)	TC	14903	14923	14939	14940	14960	15801	15820	15835	15839	15857	16745	16767	16786	16789	16807	17754	17773	17793	17795	17818	
			S/T	0.45	0.52	0.59	0.59	0.68	0.47	0.55	0.63	0.63	0.72	0.50	0.59	0.67	0.67	0.76	0.53	0.62	0.71	0.71	0.81	
			PI	0.74	0.74	0.74	0.74	0.74	0.79	0.79	0.79	0.79	0.79	0.83	0.83	0.84	0.84	0.84	0.88	0.88	0.89	0.89	0.89	
		59°F (15.0°C)	TC	16019	16041	16058	16059	16080	16985	17005	17022	17025	17045	17999	18023	18043	18046	18066	19084	19105	19125	19128	19152	
			S/T	0.45	0.53	0.60	0.60	0.68	0.47	0.56	0.63	0.63	0.72	0.50	0.59	0.67	0.67	0.76	0.53	0.63	0.71	0.71	0.81	
			PI	0.80	0.80	0.80	0.80	0.80	0.84	0.84	0.85	0.85	0.85	0.89	0.90	0.90	0.90	0.90	0.95	0.95	0.95	0.95	0.95	
		68°F (20.0°C)	TC	17135	17158	17177	17178	17201	18168	18190	18208	18211	18233	19254	19279	19300	19304	19325	20414	20436	20458	20461	20487	
			S/T	0.46	0.54	0.61	0.61	0.70	0.49	0.57	0.65	0.65	0.74	0.52	0.61	0.69	0.69	0.79	0.55	0.64	0.73	0.73	0.83	
			PI	0.85	0.85	0.85	0.85	0.85	0.90	0.90	0.90	0.90	0.90	0.95	0.96	0.96	0.96	0.96	1.01	1.01	1.01	1.01	1.02	
		77 (25.0)	TC	18252	18276	18296	18297	18321	19352	19374	19394	19397	19420	20508	20534	20557	20561	20584	21743	21767	21791	21794	21821	
			S/T	0.47	0.55	0.62	0.62	0.71	0.49	0.58	0.66	0.66	0.75	0.52	0.61	0.70	0.70	0.80	0.55	0.65	0.74	0.74	0.84	
			PI	0.90	0.90	0.91	0.91	0.91	0.96	0.96	0.96	0.96	0.96	1.02	1.02	1.02	1.02	1.02	1.08	1.08	1.08	1.08	1.08	
		82°F (27.8)	TC	18596	18621	18641	18642	18667	19717	19740	19760	19764	19787	20895	20922	20945	20949	20973	22154	22178	22202	22206	22233	
			S/T	0.47	0.55	0.63	0.63	0.72	0.50	0.59	0.67	0.67	0.76	0.53	0.62	0.71	0.71	0.81	0.56	0.66	0.75	0.75	0.85	
			PI	1.01	1.01	1.01	1.01	1.01	1.07	1.07	1.07	1.07	1.08	1.14	1.14	1.14	1.14	1.14	1.20	1.21	1.21	1.21	1.21	
		86°F (30.0°C)	TC	18524	18549	18569	18570	18595	19641	19664	19684	19687	19711	20814	20841	20865	20868	20892	22068	22092	22116	22120	22147	
			S/T	0.48	0.56	0.64	0.64	0.73	0.51	0.59	0.68	0.68	0.77	0.54	0.63	0.72	0.72	0.82	0.57	0.67	0.76	0.76	0.86	
			PI	1.19	1.20	1.20	1.20	1.20	1.27	1.27	1.27	1.27	1.27	1.34	1.34	1.34	1.35	1.35	1.42	1.42	1.43	1.43	1.43	
95°F (35.0)	TC	18363	18388	18407	18408	18433	19469	19493	19512	19516	19539	20633	20659	20682	20686	20709	21876	21900	21923	21927	21954			
	S/T	0.48	0.56	0.64	0.64	0.73	0.51	0.59	0.68	0.68	0.77	0.54	0.63	0.72	0.72	0.82	0.57	0.67	0.76	0.76	0.86			
	PI	1.61	1.61	1.61	1.61	1.61	1.70	1.70	1.71	1.71	1.71	1.80	1.81	1.81	1.81	1.81	1.91	1.92	1.92	1.92	1.92			
104°F (40.0°C)	TC	15780	15801	15818	15819	15840	16731	16751	16767	16771	16790	17730	17753	17773	17777	17796	18799	18819	18840	18843	18866			
	S/T	0.49	0.57	0.65	0.65	0.74	0.52	0.61	0.69	0.69	0.79	0.55	0.65	0.73	0.73	0.84	0.58	0.68	0.78	0.78	0.89			
	PI	1.57	1.57	1.57	1.57	1.57	1.66	1.66	1.66	1.66	1.67	1.76	1.76	1.76	1.76	1.77	1.87	1.87	1.87	1.87	1.87			

Table 6: Cooling Performance - 18K D5CUHA + D5FUHA (Sheet 3 of 9)

490	110°F (43.0°C)	TC	14230	14249	14265	14265	14284	15088	15106	15120	15123	15141	15989	16010	16028	16031	16049	16952	16971	16989	16992	17013
		S/T	0.51	0.60	0.68	0.68	0.77	0.54	0.63	0.72	0.72	0.82	0.57	0.67	0.76	0.76	0.87	0.60	0.71	0.81	0.81	0.92
		PI	1.54	1.54	1.55	1.55	1.55	1.64	1.64	1.64	1.64	1.64	1.64	1.73	1.74	1.74	1.74	1.74	1.84	1.84	1.84	1.84
	115°F (46.0°C)	TC	12970	12987	13001	13002	13020	13752	13768	13781	13784	13801	14573	14592	14608	14611	14627	15451	15468	15485	15487	15507
		S/T	0.51	0.60	0.68	0.68	0.78	0.54	0.64	0.73	0.73	0.83	0.58	0.68	0.77	0.77	0.88	0.61	0.72	0.82	0.82	0.93
		PI	1.53	1.53	1.53	1.53	1.53	1.62	1.62	1.62	1.62	1.62	1.71	1.72	1.72	1.72	1.72	1.82	1.82	1.82	1.82	1.82
	122°F (50.0°C)	TC	11290	11305	11317	11318	11333	11970	11984	11996	11999	12013	12685	12702	12716	12718	12733	13450	13464	13479	13481	13498
		S/T	0.53	0.62	0.70	0.70	0.80	0.56	0.65	0.74	0.74	0.85	0.59	0.69	0.79	0.79	0.90	0.63	0.73	0.83	0.83	0.95
		PI	1.50	1.50	1.51	1.51	1.51	1.59	1.60	1.60	1.60	1.60	1.69	1.69	1.69	1.69	1.69	1.79	1.79	1.79	1.79	1.80
530	-22°F (-30.0°C)	TC	15469	15490	15506	15507	15528	16401	16420	16437	16440	16459	17381	17403	17423	17426	17446	18428	18448	18468	18471	18494
		S/T	0.44	0.52	0.59	0.59	0.67	0.47	0.55	0.62	0.62	0.71	0.50	0.58	0.66	0.66	0.75	0.53	0.62	0.70	0.70	0.80
		PI	0.44	0.44	0.44	0.44	0.44	0.47	0.47	0.47	0.47	0.47	0.49	0.50	0.50	0.50	0.50	0.52	0.53	0.53	0.53	0.53
	-13°F (-25.0°C)	TC	16758	16780	16798	16799	16822	17768	17789	17806	17810	17831	18829	18854	18875	18878	18899	19964	19985	20007	20010	20035
		S/T	0.44	0.52	0.59	0.59	0.68	0.47	0.55	0.63	0.63	0.72	0.50	0.59	0.67	0.67	0.76	0.53	0.62	0.71	0.71	0.81
		PI	0.48	0.48	0.48	0.48	0.48	0.51	0.51	0.51	0.51	0.51	0.54	0.54	0.54	0.54	0.54	0.57	0.57	0.57	0.57	0.57
	-4°F (-20.0°C)	TC	18047	18071	18091	18091	18116	19134	19157	19176	19180	19203	20278	20304	20327	20330	20353	21499	21523	21546	21550	21576
		S/T	0.45	0.53	0.60	0.60	0.68	0.47	0.56	0.63	0.63	0.72	0.50	0.59	0.67	0.67	0.76	0.53	0.63	0.71	0.71	0.81
		PI	0.51	0.51	0.52	0.52	0.52	0.54	0.55	0.55	0.55	0.55	0.58	0.58	0.58	0.58	0.58	0.61	0.61	0.61	0.61	0.61
	0°F (-17.8°C)	TC	18620	18645	18665	18666	18691	19742	19765	19785	19789	19812	20921	20949	20972	20976	20999	22182	22206	22230	22234	22261
		S/T	0.45	0.53	0.60	0.60	0.68	0.48	0.56	0.63	0.63	0.72	0.50	0.59	0.67	0.67	0.77	0.53	0.63	0.71	0.71	0.81
		PI	0.53	0.53	0.53	0.53	0.53	0.56	0.56	0.56	0.56	0.56	0.60	0.60	0.60	0.60	0.60	0.63	0.63	0.63	0.63	0.63
	5°F (-15.0°C)	TC	19336	19362	19383	19384	19410	20501	20526	20546	20550	20574	21726	21754	21779	21783	21807	23035	23060	23085	23089	23118
		S/T	0.45	0.53	0.60	0.60	0.69	0.48	0.56	0.64	0.64	0.73	0.51	0.59	0.68	0.68	0.77	0.54	0.63	0.72	0.72	0.82
		PI	0.55	0.55	0.55	0.55	0.55	0.58	0.58	0.59	0.59	0.59	0.62	0.62	0.62	0.62	0.62	0.66	0.66	0.66	0.66	0.66
	14°F (-10.0°C)	TC	18429	18454	18474	18474	18499	19540	19563	19582	19586	19609	20707	20734	20757	20761	20784	21955	21978	22002	22006	22033
		S/T	0.45	0.53	0.60	0.60	0.69	0.48	0.56	0.64	0.64	0.73	0.51	0.60	0.68	0.68	0.77	0.54	0.63	0.72	0.72	0.82
		PI	0.62	0.62	0.62	0.62	0.62	0.65	0.65	0.66	0.66	0.66	0.69	0.69	0.69	0.69	0.70	0.73	0.74	0.74	0.74	0.74
	17°F (-8.3°C)	TC	18127	18151	18171	18171	18196	19219	19242	19261	19265	19287	20367	20394	20416	20420	20443	21594	21618	21641	21645	21672
		S/T	0.45	0.53	0.60	0.60	0.69	0.48	0.56	0.64	0.64	0.73	0.51	0.60	0.68	0.68	0.77	0.54	0.63	0.72	0.72	0.82
		PI	0.64	0.64	0.64	0.64	0.64	0.68	0.68	0.68	0.68	0.68	0.72	0.72	0.72	0.72	0.72	0.76	0.76	0.76	0.76	0.76
	23°F (-5.0°C)	TC	18053	18078	18097	18098	18122	19141	19164	19183	19187	19210	20285	20311	20334	20338	20361	21507	21531	21554	21557	21584
		S/T	0.46	0.53	0.61	0.61	0.69	0.48	0.57	0.64	0.64	0.73	0.51	0.60	0.68	0.68	0.78	0.54	0.64	0.72	0.72	0.82
		PI	0.67	0.67	0.67	0.67	0.67	0.71	0.71	0.71	0.71	0.71	0.75	0.75	0.75	0.75	0.75	0.80	0.80	0.80	0.80	0.80

Manufacturer reserves the right to change, at any time, specifications and designs without notice and without obligations.

Table 6: Cooling Performance - 18K D5CUHA + D5FUHA (Sheet 4 of 9)

530	35°F (1.7°C)	TC	17907	17931	17951	17951	17976	18986	19009	19028	19031	19054	20121	20147	20169	20173	20196	21333	21356	21379	21383	21409
		S/T	0.46	0.54	0.61	0.61	0.70	0.49	0.57	0.65	0.65	0.74	0.51	0.60	0.69	0.69	0.78	0.55	0.64	0.73	0.73	0.83
		PI	0.73	0.73	0.73	0.73	0.73	0.77	0.77	0.77	0.77	0.78	0.82	0.82	0.82	0.82	0.82	0.87	0.87	0.87	0.87	0.87
	41°F (5.0°C)	TC	16494	16516	16534	16535	16557	17488	17509	17526	17529	17550	18533	18557	18577	18581	18602	19649	19671	19692	19695	19720
		S/T	0.46	0.54	0.61	0.61	0.70	0.49	0.57	0.65	0.65	0.74	0.52	0.60	0.69	0.69	0.78	0.55	0.64	0.73	0.73	0.83
		PI	0.74	0.74	0.74	0.74	0.74	0.78	0.79	0.79	0.79	0.79	0.83	0.83	0.83	0.83	0.83	0.88	0.88	0.88	0.88	0.88
	47°F (8.3°C)	TC	15081	15101	15117	15118	15138	15989	16008	16024	16027	16046	16945	16967	16986	16989	17008	17966	17985	18005	18008	18030
		S/T	0.46	0.54	0.61	0.61	0.70	0.49	0.57	0.65	0.65	0.74	0.52	0.61	0.69	0.69	0.79	0.55	0.64	0.73	0.73	0.83
		PI	0.75	0.75	0.75	0.75	0.75	0.80	0.80	0.80	0.80	0.80	0.84	0.84	0.85	0.85	0.85	0.89	0.90	0.90	0.90	0.90
	50°F (10.0°C)	TC	15467	15488	15504	15505	15526	16399	16418	16435	16438	16457	17379	17401	17421	17424	17443	18426	18446	18466	18469	18492
		S/T	0.46	0.54	0.62	0.62	0.70	0.49	0.58	0.65	0.65	0.75	0.52	0.61	0.69	0.69	0.79	0.55	0.65	0.73	0.73	0.84
		PI	0.77	0.77	0.77	0.77	0.77	0.82	0.82	0.82	0.82	0.82	0.86	0.87	0.87	0.87	0.87	0.92	0.92	0.92	0.92	0.92
	59°F (15.0°C)	TC	16625	16648	16666	16666	16689	17627	17648	17665	17669	17690	18680	18705	18725	18729	18750	19806	19827	19849	19852	19877
		S/T	0.46	0.55	0.62	0.62	0.71	0.49	0.58	0.66	0.66	0.75	0.52	0.61	0.70	0.70	0.79	0.55	0.65	0.74	0.74	0.84
		PI	0.83	0.83	0.83	0.83	0.83	0.88	0.88	0.88	0.88	0.88	0.93	0.93	0.93	0.93	0.93	0.98	0.98	0.99	0.99	0.99
	68°F (20.0°C)	TC	17784	17808	17827	17828	17852	18855	18878	18896	18900	18923	19982	20008	20030	20034	20056	21186	21209	21232	21235	21262
		S/T	0.48	0.56	0.64	0.64	0.73	0.51	0.59	0.67	0.67	0.77	0.54	0.63	0.71	0.71	0.81	0.57	0.67	0.76	0.76	0.86
		PI	0.88	0.88	0.88	0.88	0.89	0.93	0.94	0.94	0.94	0.94	0.99	0.99	0.99	0.99	0.99	1.05	1.05	1.05	1.05	1.05
	77°F (25.0°C)	TC	18942	18968	18988	18989	19014	20084	20107	20127	20131	20155	21284	21311	21335	21339	21363	22566	22590	22615	22619	22647
		S/T	0.48	0.57	0.64	0.64	0.73	0.51	0.60	0.68	0.68	0.78	0.54	0.64	0.72	0.72	0.83	0.58	0.68	0.77	0.77	0.88
		PI	0.94	0.94	0.94	0.94	0.94	0.99	1.00	1.00	1.00	1.00	1.05	1.06	1.06	1.06	1.06	1.12	1.12	1.12	1.12	1.12
	82°F (27.8°C)	TC	19300	19326	19347	19347	19374	20463	20487	20507	20511	20536	21685	21714	21738	21742	21766	22992	23017	23042	23046	23074
		S/T	0.49	0.57	0.65	0.65	0.74	0.52	0.61	0.69	0.69	0.79	0.55	0.65	0.73	0.73	0.84	0.58	0.68	0.78	0.78	0.89
		PI	1.05	1.05	1.05	1.05	1.05	1.11	1.11	1.11	1.12	1.12	1.18	1.18	1.18	1.18	1.18	1.25	1.25	1.25	1.25	1.25
86°F (30.0°C)	TC	19225	19251	19272	19273	19299	20384	20408	20428	20432	20456	21602	21630	21654	21658	21682	22903	22928	22953	22957	22985	
	S/T	0.50	0.58	0.66	0.66	0.75	0.53	0.62	0.70	0.70	0.80	0.56	0.65	0.74	0.74	0.85	0.59	0.69	0.79	0.79	0.90	
	PI	1.24	1.24	1.24	1.24	1.24	1.31	1.32	1.32	1.32	1.32	1.39	1.39	1.40	1.40	1.40	1.48	1.48	1.48	1.48	1.48	
95°F (35.0°C)	TC	19058	19083	19104	19105	19130	20206	20230	20250	20254	20278	21413	21441	21465	21469	21493	22703	22728	22753	22756	22785	
	S/T	0.50	0.58	0.66	0.66	0.75	0.53	0.62	0.70	0.70	0.80	0.56	0.65	0.74	0.74	0.85	0.59	0.69	0.79	0.79	0.90	
	PI	1.67	1.67	1.67	1.67	1.67	1.77	1.77	1.77	1.77	1.77	1.87	1.88	1.88	1.88	1.88	1.99	1.99	1.99	1.99	1.99	

Manufacturer reserves the right to change, at any time, specifications and designs without notice and without obligations.

Table 6: Cooling Performance - 18K D5CUHA + D5FUHA (Sheet 5 of 9)

530	104°F (40.0°C)	TC	16377	16399	16417	16417	16439	17364	17384	17402	17405	17426	18401	18425	18446	18449	18470	19510	19531	19552	19555	19580
		S/T	0.51	0.60	0.68	0.68	0.77	0.54	0.63	0.72	0.72	0.82	0.57	0.67	0.76	0.76	0.87	0.61	0.71	0.81	0.81	0.92
		PI	1.63	1.63	1.63	1.63	1.63	1.72	1.73	1.73	1.73	1.73	1.83	1.83	1.83	1.83	1.83	1.94	1.94	1.94	1.94	1.94
	110°F (43.0°C)	TC	14768	14788	14804	14805	14825	15658	15677	15693	15696	15714	16594	16616	16634	16637	16656	17594	17613	17632	17635	17657
		S/T	0.53	0.62	0.70	0.70	0.80	0.56	0.66	0.74	0.74	0.85	0.59	0.69	0.79	0.79	0.90	0.63	0.74	0.84	0.84	0.95
		PI	1.60	1.60	1.60	1.60	1.61	1.70	1.70	1.70	1.70	1.70	1.80	1.80	1.80	1.80	1.81	1.91	1.91	1.91	1.91	1.91
	115°F (46.0°C)	TC	13461	13479	13493	13494	13512	14272	14289	14303	14306	14323	15125	15144	15161	15164	15181	16036	16053	16071	16073	16093
		S/T	0.53	0.63	0.71	0.71	0.81	0.56	0.66	0.75	0.75	0.86	0.60	0.70	0.80	0.80	0.91	0.63	0.74	0.85	0.85	0.96
		PI	1.58	1.59	1.59	1.59	1.59	1.68	1.68	1.68	1.68	1.68	1.78	1.78	1.78	1.78	1.79	1.89	1.89	1.89	1.89	1.89
	122°F (50.0°C)	TC	11717	11733	11745	11746	11762	12423	12438	12450	12452	12467	13165	13182	13197	13199	13214	13958	13974	13989	13991	14008
		S/T	0.55	0.64	0.73	0.73	0.83	0.58	0.68	0.77	0.77	0.88	0.61	0.72	0.82	0.82	0.93	0.65	0.76	0.87	0.87	0.99
		PI	1.56	1.56	1.56	1.56	1.57	1.65	1.66	1.66	1.66	1.66	1.75	1.75	1.76	1.76	1.76	1.86	1.86	1.86	1.86	1.86
580	-22°F (-30.0°C)	TC	16054	16076	16093	16094	16115	17021	17042	17058	17062	17082	18038	18062	18082	18085	18105	19125	19146	19167	19170	19194
		S/T	0.46	0.54	0.61	0.61	0.70	0.49	0.57	0.65	0.65	0.74	0.52	0.60	0.69	0.69	0.78	0.55	0.64	0.73	0.73	0.83
		PI	0.46	0.46	0.46	0.46	0.46	0.48	0.49	0.49	0.49	0.49	0.51	0.51	0.51	0.52	0.52	0.54	0.55	0.55	0.55	0.55
	-13°F (-25.0°C)	TC	17392	17415	17434	17435	17458	18440	18462	18480	18484	18506	19542	19567	19589	19592	19614	20719	20742	20764	20767	20793
		S/T	0.46	0.54	0.62	0.62	0.70	0.49	0.57	0.65	0.65	0.74	0.52	0.61	0.69	0.69	0.79	0.55	0.65	0.73	0.73	0.84
		PI	0.50	0.50	0.50	0.50	0.50	0.53	0.53	0.53	0.53	0.53	0.56	0.56	0.56	0.56	0.56	0.59	0.59	0.59	0.59	0.59
	-4°F (-20.0°C)	TC	18730	18755	18775	18776	18801	19858	19882	19902	19905	19929	21045	21072	21096	21100	21123	22313	22337	22361	22365	22393
		S/T	0.46	0.54	0.62	0.62	0.71	0.49	0.58	0.66	0.66	0.75	0.52	0.61	0.70	0.70	0.79	0.55	0.65	0.74	0.74	0.84
		PI	0.53	0.53	0.53	0.53	0.54	0.57	0.57	0.57	0.57	0.57	0.60	0.60	0.60	0.60	0.60	0.64	0.64	0.64	0.64	0.64
	0°F (-17.8°C)	TC	19324	19350	19371	19372	19398	20489	20513	20533	20537	20562	21713	21741	21765	21769	21794	23021	23046	23071	23075	23104
		S/T	0.47	0.55	0.62	0.62	0.71	0.49	0.58	0.66	0.66	0.75	0.52	0.61	0.70	0.70	0.80	0.55	0.65	0.74	0.74	0.84
		PI	0.55	0.55	0.55	0.55	0.55	0.58	0.58	0.58	0.58	0.59	0.62	0.62	0.62	0.62	0.62	0.66	0.66	0.66	0.66	0.66
	5°F (-15.0°C)	TC	20067	20094	20116	20117	20144	21277	21302	21323	21327	21353	22548	22577	22602	22607	22632	23907	23933	23959	23962	23992
		S/T	0.47	0.55	0.62	0.62	0.71	0.50	0.58	0.66	0.66	0.75	0.53	0.62	0.70	0.70	0.80	0.56	0.65	0.74	0.74	0.85
		PI	0.57	0.57	0.57	0.57	0.57	0.61	0.61	0.61	0.61	0.61	0.64	0.64	0.64	0.64	0.64	0.68	0.68	0.68	0.68	0.68
	14°F (-10.0°C)	TC	19126	19152	19172	19173	19199	20279	20303	20323	20327	20351	21490	21518	21542	21546	21570	22785	22810	22835	22838	22867
		S/T	0.47	0.55	0.63	0.63	0.71	0.50	0.58	0.66	0.66	0.76	0.53	0.62	0.70	0.70	0.80	0.56	0.66	0.74	0.74	0.85
		PI	0.64	0.64	0.64	0.64	0.64	0.68	0.68	0.68	0.68	0.68	0.72	0.72	0.72	0.72	0.72	0.76	0.76	0.76	0.76	0.77

Manufacturer reserves the right to change, at any time, specifications and designs without notice and without obligations.

Table 6: Cooling Performance - 18K D5CUHA + D5FUHA (Sheet 6 of 9)

580	17°F (-8.3°C)	TC	18812	18838	18858	18859	18884	19946	19970	19989	19993	20017	21138	21165	21189	21193	21216	22411	22436	22460	22464	22492
		S/T	0.47	0.55	0.63	0.63	0.72	0.50	0.59	0.66	0.66	0.76	0.53	0.62	0.70	0.70	0.80	0.56	0.66	0.75	0.75	0.85
		PI	0.66	0.66	0.66	0.66	0.67	0.70	0.70	0.70	0.70	0.71	0.74	0.75	0.75	0.75	0.75	0.79	0.79	0.79	0.79	0.79
	23°F (-5.0°C)	TC	18736	18762	18782	18783	18808	19866	19889	19909	19913	19936	21052	21080	21103	21107	21131	22321	22345	22369	22373	22401
		S/T	0.47	0.55	0.63	0.63	0.72	0.50	0.59	0.67	0.67	0.76	0.53	0.62	0.71	0.71	0.81	0.56	0.66	0.75	0.75	0.86
		PI	0.69	0.70	0.70	0.70	0.70	0.74	0.74	0.74	0.74	0.74	0.78	0.78	0.78	0.78	0.78	0.83	0.83	0.83	0.83	0.83
	35°F (1.7°C)	TC	18585	18610	18630	18631	18656	19705	19728	19747	19751	19775	20882	20909	20932	20936	20960	22140	22164	22188	22192	22219
		S/T	0.48	0.56	0.63	0.63	0.72	0.50	0.59	0.67	0.67	0.77	0.53	0.63	0.71	0.71	0.81	0.57	0.66	0.75	0.75	0.86
		PI	0.76	0.76	0.76	0.76	0.76	0.80	0.80	0.80	0.80	0.80	0.85	0.85	0.85	0.85	0.85	0.90	0.90	0.90	0.90	0.90
	41°F (5.0°C)	TC	17118	17141	17159	17160	17183	18150	18171	18189	18193	18214	19234	19259	19280	19284	19305	20393	20415	20437	20440	20466
		S/T	0.48	0.56	0.63	0.63	0.72	0.50	0.59	0.67	0.67	0.77	0.53	0.63	0.71	0.71	0.81	0.57	0.67	0.76	0.76	0.86
		PI	0.77	0.77	0.77	0.77	0.77	0.81	0.82	0.82	0.82	0.82	0.86	0.86	0.86	0.86	0.87	0.91	0.92	0.92	0.92	0.92
	47°F (8.3°C)	TC	15651	15672	15689	15690	15711	16594	16614	16630	16634	16653	17586	17609	17628	17632	17651	18645	18666	18686	18689	18712
		S/T	0.48	0.56	0.64	0.64	0.73	0.51	0.59	0.67	0.68	0.77	0.54	0.63	0.72	0.72	0.82	0.57	0.67	0.76	0.76	0.86
		PI	0.78	0.78	0.78	0.78	0.78	0.83	0.83	0.83	0.83	0.83	0.88	0.88	0.88	0.88	0.88	0.93	0.93	0.93	0.93	0.93
	50°F (10.0°C)	TC	16052	16073	16091	16092	16113	17019	17039	17056	17060	17080	18036	18060	18080	18083	18103	19123	19144	19164	19167	19191
		S/T	0.48	0.56	0.64	0.64	0.73	0.51	0.60	0.68	0.68	0.77	0.54	0.63	0.72	0.72	0.82	0.57	0.67	0.76	0.76	0.87
		PI	0.80	0.80	0.80	0.80	0.80	0.85	0.85	0.85	0.85	0.85	0.90	0.90	0.90	0.90	0.90	0.95	0.95	0.95	0.95	0.95
	59°F (15.0°C)	TC	17254	17277	17296	17297	17320	18294	18316	18334	18337	18359	19387	19412	19434	19437	19459	20555	20577	20600	20603	20629
		S/T	0.48	0.57	0.64	0.64	0.73	0.51	0.60	0.68	0.68	0.78	0.54	0.64	0.72	0.72	0.82	0.57	0.67	0.77	0.77	0.87
		PI	0.86	0.86	0.86	0.86	0.86	0.91	0.91	0.91	0.91	0.91	0.96	0.96	0.97	0.97	0.97	1.02	1.02	1.02	1.02	1.02
	68°F (20.0°C)	TC	18456	18481	18501	18502	18527	19569	19592	19611	19615	19638	20738	20765	20788	20792	20815	21987	22011	22035	22039	22066
		S/T	0.50	0.58	0.66	0.66	0.75	0.52	0.62	0.70	0.70	0.80	0.56	0.65	0.74	0.74	0.85	0.59	0.69	0.79	0.79	0.90
		PI	0.92	0.92	0.92	0.92	0.92	0.97	0.97	0.97	0.97	0.97	1.03	1.03	1.03	1.03	1.03	1.09	1.09	1.09	1.09	1.09
77°F (25.0°C)	TC	19659	19685	19706	19707	19734	20843	20868	20889	20893	20918	22089	22117	22142	22146	22171	23420	23445	23471	23474	23503	
	S/T	0.50	0.59	0.67	0.67	0.76	0.53	0.62	0.71	0.71	0.81	0.56	0.66	0.75	0.75	0.86	0.60	0.70	0.80	0.80	0.91	
	PI	0.97	0.97	0.98	0.98	0.98	1.03	1.03	1.03	1.03	1.04	1.09	1.10	1.10	1.10	1.10	1.16	1.16	1.16	1.16	1.16	
82°F (27.8°C)	TC	20030	20057	20078	20079	20106	21237	21262	21283	21287	21313	22506	22535	22560	22564	22590	23862	23888	23914	23918	23947	
	S/T	0.51	0.60	0.68	0.68	0.77	0.54	0.63	0.72	0.72	0.82	0.57	0.67	0.76	0.76	0.87	0.61	0.71	0.81	0.81	0.92	
	PI	1.09	1.09	1.09	1.09	1.09	1.15	1.16	1.16	1.16	1.16	1.22	1.23	1.23	1.23	1.23	1.30	1.30	1.30	1.30	1.30	

Table 6: Cooling Performance - 18K D5CUHA + D5FUHA (Sheet 7 of 9)

580	86°F (30.0°C)	TC	19953	19979	20001	20002	20029	21155	21180	21201	21205	21230	22419	22448	22473	22477	22502	23770	23796	23821	23825	23855	
		S/T	0.51	0.60	0.69	0.69	0.78	0.55	0.64	0.73	0.73	0.83	0.58	0.68	0.77	0.77	0.88	0.61	0.72	0.82	0.82	0.93	
		PI	1.29	1.29	1.29	1.29	1.29	1.36	1.37	1.37	1.37	1.37	1.45	1.45	1.45	1.45	1.45	1.53	1.53	1.54	1.54	1.54	
	95°F (35.0°C)	TC	19778	19805	19826	19827	19854	20970	20995	21016	21020	21045	22223	22252	22277	22281	22306	23562	23588	23614	23617	23647	
		S/T	0.51	0.60	0.69	0.69	0.78	0.55	0.64	0.73	0.73	0.83	0.58	0.68	0.77	0.77	0.88	0.61	0.72	0.82	0.82	0.93	
		PI	1.73	1.73	1.73	1.73	1.74	1.83	1.84	1.84	1.84	1.84	1.94	1.95	1.95	1.95	1.95	2.06	2.06	2.07	2.07	2.07	
	104°F (40.0°C)	TC	16996	17019	17038	17038	17061	18021	18042	18060	18063	18085	19097	19122	19143	19147	19168	20248	20270	20292	20295	20320	
		S/T	0.53	0.62	0.70	0.70	0.80	0.56	0.66	0.75	0.75	0.85	0.59	0.70	0.79	0.79	0.90	0.63	0.74	0.84	0.84	0.95	
		PI	1.69	1.69	1.69	1.69	1.69	1.79	1.79	1.79	1.79	1.80	1.90	1.90	1.90	1.90	1.90	2.01	2.01	2.01	2.01	2.02	
	110°F (43.0°C)	TC	15327	15348	15364	15365	15386	16251	16270	16286	16289	16309	17222	17244	17263	17267	17286	18259	18279	18299	18302	18325	
		S/T	0.55	0.64	0.73	0.73	0.83	0.58	0.68	0.77	0.77	0.88	0.61	0.72	0.82	0.82	0.93	0.65	0.76	0.87	0.87	0.99	
		PI	1.66	1.66	1.67	1.67	1.67	1.76	1.76	1.77	1.77	1.77	1.87	1.87	1.87	1.87	1.87	1.98	1.98	1.98	1.98	1.99	
	115°F (46.0°C)	TC	13970	13989	14004	14004	14023	14812	14829	14844	14847	14865	15697	15717	15735	15738	15755	16642	16661	16679	16681	16702	
		S/T	0.55	0.65	0.74	0.74	0.84	0.59	0.69	0.78	0.78	0.89	0.62	0.73	0.83	0.83	0.94	0.66	0.77	0.88	0.88	1.00	
		PI	1.64	1.65	1.65	1.65	1.65	1.74	1.74	1.75	1.75	1.75	1.85	1.85	1.85	1.85	1.85	1.96	1.96	1.96	1.96	1.96	
	122°F (50.0°C)	TC	12160	12177	12190	12190	12207	12893	12908	12921	12924	12939	13663	13681	13696	13699	13714	14486	14502	14518	14520	14538	
		S/T	0.57	0.66	0.75	0.75	0.86	0.60	0.70	0.80	0.80	0.91	0.64	0.75	0.85	0.85	0.97	0.67	0.79	0.90	0.90	1.00	
		PI	1.62	1.62	1.62	1.62	1.62	1.72	1.72	1.72	1.72	1.72	1.82	1.82	1.82	1.82	1.83	1.93	1.93	1.93	1.93	1.94	
	620	-22°F (-30.0°C)	TC	16661	16684	16702	16702	16725	17665	17686	17704	17707	17728	18721	18745	18766	18769	18790	19849	19870	19892	19895	19920
			S/T	0.48	0.56	0.63	0.63	0.72	0.50	0.59	0.67	0.67	0.77	0.53	0.63	0.71	0.71	0.81	0.57	0.67	0.76	0.76	0.86
			PI	0.47	0.48	0.48	0.48	0.48	0.50	0.50	0.50	0.50	0.50	0.53	0.53	0.53	0.53	0.54	0.57	0.57	0.57	0.57	0.57
-13°F (-25.0°C)		TC	18050	18074	18093	18094	18119	19138	19160	19179	19183	19206	20281	20307	20330	20334	20356	21503	21526	21550	21553	21580	
		S/T	0.48	0.56	0.64	0.64	0.73	0.51	0.60	0.68	0.68	0.77	0.54	0.63	0.72	0.72	0.82	0.57	0.67	0.76	0.76	0.87	
		PI	0.51	0.51	0.52	0.52	0.52	0.54	0.55	0.55	0.55	0.55	0.58	0.58	0.58	0.58	0.58	0.61	0.61	0.61	0.61	0.61	
-4°F (-20.0°C)		TC	19438	19464	19485	19486	19512	20610	20634	20654	20658	20683	21841	21869	21894	21898	21922	23157	23182	23207	23211	23240	
		S/T	0.48	0.57	0.64	0.64	0.73	0.51	0.60	0.68	0.68	0.78	0.54	0.64	0.72	0.72	0.82	0.57	0.67	0.77	0.77	0.87	
		PI	0.55	0.55	0.55	0.55	0.56	0.59	0.59	0.59	0.59	0.59	0.62	0.62	0.62	0.62	0.62	0.66	0.66	0.66	0.66	0.66	
0°F (-17.8°C)		TC	20055	20082	20104	20105	20132	21264	21289	21310	21314	21340	22534	22564	22589	22593	22618	23892	23918	23944	23948	23978	
		S/T	0.48	0.57	0.64	0.64	0.73	0.51	0.60	0.68	0.68	0.78	0.54	0.64	0.72	0.72	0.83	0.58	0.68	0.77	0.77	0.88	
		PI	0.57	0.57	0.57	0.57	0.57	0.61	0.61	0.61	0.61	0.61	0.64	0.64	0.64	0.64	0.64	0.68	0.68	0.68	0.68	0.68	
5°F (-15.0°C)		TC	20827	20855	20877	20878	20906	22082	22108	22130	22134	22160	23401	23431	23458	23462	23488	24811	24838	24865	24869	24900	
		S/T	0.49	0.57	0.65	0.65	0.74	0.51	0.60	0.69	0.69	0.78	0.55	0.64	0.73	0.73	0.83	0.58	0.68	0.77	0.77	0.88	
		PI	0.59	0.59	0.59	0.59	0.60	0.63	0.63	0.63	0.63	0.63	0.67	0.67	0.67	0.67	0.67	0.71	0.71	0.71	0.71	0.71	

Manufacturer reserves the right to change, at any time, specifications and designs without notice and without obligations.

Table 6: Cooling Performance - 18K D5CUHA + D5FUHA (Sheet 8 of 9)

620	14°F (-10.0°C)	TC	19850	19876	19898	19899	19925	21046	21071	21092	21096	21121	22303	22332	22357	22361	22386	23647	23673	23699	23702	23732
		S/T	0.49	0.57	0.65	0.65	0.74	0.52	0.61	0.69	0.69	0.78	0.55	0.64	0.73	0.73	0.83	0.58	0.68	0.77	0.77	0.88
		PI	0.66	0.67	0.67	0.67	0.67	0.70	0.71	0.71	0.71	0.71	0.75	0.75	0.75	0.75	0.75	0.79	0.79	0.79	0.79	0.79
	17°F (-8.3°C)	TC	19524	19550	19571	19572	19599	20701	20725	20746	20750	20774	21937	21966	21990	21994	22019	23259	23284	23310	23313	23342
		S/T	0.49	0.57	0.65	0.65	0.74	0.52	0.61	0.69	0.69	0.79	0.55	0.64	0.73	0.73	0.83	0.58	0.68	0.78	0.78	0.88
		PI	0.69	0.69	0.69	0.69	0.69	0.73	0.73	0.73	0.73	0.73	0.77	0.77	0.78	0.78	0.78	0.82	0.82	0.82	0.82	0.82
	23°F (-5.0°C)	TC	19445	19471	19492	19493	19520	20617	20642	20662	20666	20691	21849	21877	21902	21906	21930	23165	23190	23216	23219	23248
		S/T	0.49	0.58	0.65	0.65	0.75	0.52	0.61	0.69	0.69	0.79	0.55	0.65	0.74	0.74	0.84	0.58	0.69	0.78	0.78	0.89
		PI	0.72	0.72	0.72	0.72	0.72	0.76	0.76	0.77	0.77	0.77	0.81	0.81	0.81	0.81	0.81	0.86	0.86	0.86	0.86	0.86
	35°F (1.7°C)	TC	19288	19314	19334	19335	19361	20450	20474	20495	20499	20523	21672	21700	21724	21728	21752	22978	23003	23028	23031	23060
		S/T	0.49	0.58	0.66	0.66	0.75	0.52	0.61	0.70	0.70	0.79	0.55	0.65	0.74	0.74	0.84	0.59	0.69	0.78	0.78	0.89
		PI	0.78	0.79	0.79	0.79	0.79	0.83	0.83	0.83	0.83	0.84	0.88	0.88	0.88	0.88	0.89	0.94	0.94	0.94	0.94	0.94
	41°F (5.0°C)	TC	17765	17789	17809	17809	17833	18836	18858	18877	18881	18903	19961	19987	20010	20013	20036	21164	21187	21210	21214	21240
		S/T	0.49	0.58	0.66	0.66	0.75	0.52	0.61	0.70	0.70	0.80	0.56	0.65	0.74	0.74	0.84	0.59	0.69	0.78	0.78	0.89
		PI	0.80	0.80	0.80	0.80	0.80	0.84	0.85	0.85	0.85	0.85	0.90	0.90	0.90	0.90	0.90	0.95	0.95	0.95	0.95	0.95
	47°F (8.3°C)	TC	16243	16265	16283	16283	16305	17222	17243	17260	17263	17283	18251	18275	18295	18299	18319	19351	19372	19393	19396	19420
		S/T	0.50	0.58	0.66	0.66	0.75	0.53	0.62	0.70	0.70	0.80	0.56	0.65	0.74	0.74	0.85	0.59	0.69	0.79	0.79	0.90
		PI	0.81	0.81	0.81	0.81	0.81	0.86	0.86	0.86	0.86	0.86	0.91	0.91	0.91	0.91	0.91	0.96	0.96	0.97	0.97	0.97
	50°F (10.0°C)	TC	16659	16682	16700	16700	16723	17663	17684	17702	17705	17726	18718	18743	18764	18767	18788	19846	19868	19889	19893	19917
		S/T	0.50	0.58	0.66	0.66	0.76	0.53	0.62	0.70	0.70	0.80	0.56	0.66	0.75	0.75	0.85	0.59	0.70	0.79	0.79	0.90
		PI	0.83	0.83	0.83	0.83	0.83	0.88	0.88	0.88	0.88	0.88	0.93	0.93	0.93	0.93	0.93	0.99	0.99	0.99	0.99	0.99
	59°F (15.0°C)	TC	17907	17931	17950	17951	17975	18986	19009	19027	19031	19054	20120	20147	20169	20173	20195	21333	21356	21379	21382	21409
		S/T	0.50	0.59	0.67	0.67	0.76	0.53	0.62	0.71	0.71	0.81	0.56	0.66	0.75	0.75	0.86	0.60	0.70	0.80	0.80	0.91
		PI	0.89	0.89	0.89	0.89	0.89	0.94	0.94	0.95	0.95	0.95	1.00	1.00	1.00	1.00	1.00	1.06	1.06	1.06	1.06	1.06
68°F (20.0°C)	TC	19155	19180	19201	19202	19228	20309	20333	20353	20357	20381	21522	21550	21574	21578	21602	22819	22844	22869	22872	22901	
	S/T	0.51	0.60	0.69	0.69	0.78	0.54	0.64	0.73	0.73	0.83	0.58	0.68	0.77	0.77	0.88	0.61	0.72	0.82	0.82	0.93	
	PI	0.95	0.95	0.95	0.95	0.95	1.01	1.01	1.01	1.01	1.01	1.07	1.07	1.07	1.07	1.07	1.13	1.13	1.13	1.13	1.14	
77°F (25.0°C)	TC	20402	20430	20452	20453	20480	21632	21658	21679	21683	21709	22924	22954	22980	22984	23010	24306	24332	24358	24362	24393	
	S/T	0.52	0.61	0.69	0.69	0.79	0.55	0.65	0.74	0.74	0.84	0.59	0.69	0.78	0.78	0.89	0.62	0.73	0.83	0.83	0.94	
	PI	1.01	1.01	1.01	1.01	1.01	1.07	1.07	1.07	1.07	1.07	1.14	1.14	1.14	1.14	1.14	1.20	1.20	1.21	1.21	1.21	
82°F (27.8°C)	TC	20788	20816	20838	20839	20867	22040	22067	22088	22093	22119	23357	23388	23414	23418	23444	24765	24791	24818	24822	24853	
	S/T	0.53	0.62	0.70	0.70	0.80	0.56	0.66	0.75	0.75	0.85	0.59	0.70	0.79	0.79	0.90	0.63	0.74	0.84	0.84	0.95	
	PI	1.13	1.13	1.13	1.13	1.13	1.20	1.20	1.20	1.20	1.20	1.27	1.27	1.27	1.27	1.27	1.35	1.35	1.35	1.35	1.35	
86°F (30.0°C)	TC	20707	20735	20758	20758	20786	21955	21981	22003	22007	22033	23267	23297	23323	23328	23354	24669	24696	24723	24726	24757	
	S/T	0.53	0.63	0.71	0.71	0.81	0.57	0.66	0.75	0.75	0.86	0.60	0.70	0.80	0.80	0.91	0.64	0.75	0.85	0.85	0.97	
	PI	1.33	1.34	1.34	1.34	1.34	1.42	1.42	1.42	1.42	1.42	1.50	1.50	1.50	1.50	1.51	1.59	1.59	1.59	1.59	1.60	

Table 6: Cooling Performance - 18K D5CUHA + D5FUHA (Sheet 9 of 9)

620	95°F (35.0°C)	TC	20527	20554	20576	20577	20605	21764	21790	21811	21815	21841	23064	23094	23120	23124	23150	24454	24480	24507	24511	24541
		S/T	0.53	0.63	0.71	0.71	0.81	0.57	0.66	0.75	0.75	0.86	0.60	0.70	0.80	0.80	0.91	0.64	0.75	0.85	0.85	0.97
		PI	1.80	1.80	1.80	1.80	1.80	1.90	1.91	1.91	1.91	1.91	2.02	2.02	2.02	2.02	2.02	2.14	2.14	2.14	2.14	2.15
	104°F (40.0°C)	TC	17639	17663	17682	17683	17707	18702	18725	18743	18747	18769	19820	19846	19868	19871	19894	21014	21037	21060	21063	21089
		S/T	0.55	0.64	0.73	0.73	0.83	0.58	0.68	0.77	0.77	0.88	0.62	0.72	0.82	0.82	0.93	0.65	0.76	0.87	0.87	0.99
		PI	1.75	1.75	1.76	1.76	1.76	1.86	1.86	1.86	1.86	1.86	1.97	1.97	1.97	1.97	1.97	2.09	2.09	2.09	2.09	2.09
	110°F (43.0°C)	TC	15907	15928	15946	15946	15968	16866	16886	16902	16906	16926	17873	17896	17916	17920	17940	18950	18971	18991	18994	19018
		S/T	0.57	0.67	0.76	0.76	0.86	0.60	0.71	0.80	0.80	0.91	0.64	0.75	0.85	0.85	0.97	0.68	0.79	0.90	0.90	1.00
		PI	1.72	1.73	1.73	1.73	1.73	1.83	1.83	1.83	1.83	1.83	1.94	1.94	1.94	1.94	1.94	2.05	2.06	2.06	2.06	2.06
	115°F (46.0°C)	TC	14498	14518	14533	14534	14554	15372	15390	15406	15409	15427	16290	16312	16330	16333	16351	17272	17291	17310	17312	17334
		S/T	0.57	0.67	0.77	0.77	0.87	0.61	0.71	0.81	0.81	0.92	0.65	0.76	0.86	0.86	0.98	0.68	0.80	0.91	0.91	1.00
		PI	1.71	1.71	1.71	1.71	1.71	1.81	1.81	1.81	1.81	1.81	1.92	1.92	1.92	1.92	1.92	2.03	2.03	2.04	2.04	2.04
	122°F (50.0°C)	TC	12620	12637	12651	12651	12668	13381	13397	13410	13412	13428	14180	14199	14214	14217	14233	15035	15051	15067	15070	15088
		S/T	0.59	0.69	0.78	0.78	0.89	0.62	0.73	0.83	0.83	0.95	0.66	0.77	0.88	0.88	1.00	0.70	0.82	0.93	0.93	1.00
		PI	1.68	1.68	1.68	1.68	1.69	1.78	1.78	1.78	1.79	1.79	1.89	1.89	1.89	1.89	1.89	2.00	2.00	2.01	2.01	2.01

Manufacturer reserves the right to change, at any time, specifications and designs without notice and without obligations.

Heating Performance - 18K

Table 7: Heating Performance - 18K D5CUHA + D5FUHA (Sheet 1 of 2)

AIRFLOW (CFM)	HEATING PERFORMANCE AT INDOOR DRY BULB TEMPERATURE										
	OUTDOOR DB °F (°C)	TC: TOTAL HEATING CAPACITY (BTU/HR)					PI: POWER INPUT (KW)				
		INDOOR CONDITIONS DB °F (°C)					INDOOR CONDITIONS DB				
		60.8°F (16.0°C)	68°F (20.0°C)	70°F (21.1°C)	71.6°F (22.0°C)	75.2°F (24.0°C)	60.8°F (16.0°C)	68°F (20.0°C)	70°F (21.1°C)	71.6°F (22.0°C)	75.2°F (24.0°C)
490	-22°F (-30.0°C)	10523	10312	10261	10141	10050	1.92	1.93	1.94	1.94	1.95
	-13°F (-25.0°C)	13041	12780	12716	12085	11976	2.10	2.12	2.12	2.13	2.13
	-4°F (-20.0°C)	15150	14847	14773	14040	13913	2.27	2.29	2.29	2.29	2.30
	0°F (-17.8°C)	16270	15945	15865	15078	14942	2.38	2.40	2.41	2.41	2.42
	5°F (-15.0°C)	17670	17317	17230	16375	16227	2.52	2.54	2.55	2.55	2.56
	14°F (-10.0°C)	17905	17547	17459	16592	16443	2.36	2.38	2.39	2.39	2.40
	17°F (-8.3°C)	17983	17624	17536	16665	16515	2.31	2.33	2.33	2.34	2.35
	22°F (-5.6°C)	17993	17633	17545	16674	16524	2.20	2.22	2.22	2.23	2.24
	27°F (-2.8°C)	18002	17642	17554	16683	16532	2.09	2.11	2.11	2.11	2.12
	32°F (-0.0°C)	18012	17652	17564	16691	16541	1.98	1.99	2.00	2.00	2.01
	35°F (1.7°C)	18018	17657	17569	16697	16547	1.91	1.93	1.93	1.94	1.94
	37°F (2.8°C)	18549	18178	18088	17189	17035	1.90	1.91	1.92	1.92	1.93
	42°F (5.6°C)	19878	19481	19383	18421	18255	1.86	1.87	1.88	1.88	1.89
	44.6°F (7.0°C)	20410	20002	19902	18914	18743	1.84	1.86	1.86	1.87	1.87
	47°F (8.3°C)	21208	20783	20679	19653	19476	1.82	1.84	1.84	1.84	1.85
	52°F (11.1°C)	19258	18873	18779	17847	17686	1.68	1.69	1.69	1.70	1.71
	57°F (13.9°C)	17309	16963	16878	16040	15896	1.53	1.55	1.55	1.55	1.56
	59°F (15.0°C)	16530	16199	16118	15318	15180	1.48	1.49	1.49	1.49	1.50
62°F (16.7°C)	15360	15053	14978	14234	14106	1.39	1.40	1.40	1.41	1.41	
64.4°F (18.0°C)	14581	14289	14218	13512	13390	1.33	1.34	1.34	1.35	1.35	
530	-22°F (-30.0°C)	11137	10914	10860	10775	10678	1.94	1.95	1.96	1.96	1.97
	-13°F (-25.0°C)	13534	13263	13197	12839	12724	2.12	2.14	2.14	2.15	2.16
	-4°F (-20.0°C)	15724	15409	15332	14917	14782	2.29	2.31	2.31	2.32	2.33
	0°F (-17.8°C)	16886	16548	16465	16019	15875	2.41	2.42	2.43	2.43	2.44
	5°F (-15.0°C)	18339	17972	17882	17398	17241	2.55	2.57	2.57	2.58	2.59
	14°F (-10.0°C)	18582	18211	18120	17629	17470	2.39	2.41	2.41	2.42	2.43
	17°F (-8.3°C)	18664	18290	18199	17706	17547	2.33	2.35	2.36	2.36	2.37
	22°F (-5.6°C)	18674	18300	18209	17715	17556	2.22	2.24	2.24	2.25	2.26
	27°F (-2.8°C)	18684	18310	18218	17725	17565	2.11	2.13	2.13	2.14	2.14
	32°F (-0.0°C)	18693	18320	18228	17734	17575	2.00	2.01	2.02	2.02	2.03
	35°F (1.7°C)	18699	18325	18234	17740	17580	1.93	1.95	1.95	1.96	1.96
	37°F (2.8°C)	19251	18866	18772	18263	18099	1.92	1.93	1.94	1.94	1.95
	42°F (5.6°C)	20630	20218	20117	19572	19396	1.88	1.89	1.90	1.90	1.91
	44.6°F (7.0°C)	21182	20759	20655	20095	19914	1.86	1.88	1.88	1.89	1.89
	47°F (8.3°C)	22010	21570	21462	20880	20692	1.84	1.86	1.86	1.86	1.87
	52°F (11.1°C)	19987	19587	19489	18961	18791	1.69	1.71	1.71	1.72	1.72
	57°F (13.9°C)	17964	17605	17517	17042	16889	1.55	1.56	1.56	1.57	1.57
	59°F (15.0°C)	17155	16812	16728	16275	16128	1.49	1.50	1.51	1.51	1.51
62°F (16.7°C)	15941	15623	15545	15123	14987	1.40	1.41	1.42	1.42	1.43	
64.4°F (18.0°C)	15132	14830	14756	14356	14227	1.34	1.36	1.36	1.36	1.37	

Table 7: Heating Performance - 18K D5CUHA + D5FUHA (Sheet 2 of 2)

580	-22°F (-30.0°C)	11787	11551	11494	11448	11345	1.96	1.97	1.98	1.98	1.99
	-13°F (-25.0°C)	14046	13765	13696	13641	13519	2.14	2.16	2.16	2.17	2.18
	-4°F (-20.0°C)	16318	15992	15912	15848	15706	2.31	2.33	2.34	2.34	2.35
	0°F (-17.8°C)	17525	17174	17088	17020	16867	2.43	2.45	2.45	2.46	2.47
	5°F (-15.0°C)	19033	18652	18559	18484	18318	2.57	2.60	2.60	2.61	2.62
	14°F (-10.0°C)	19285	18900	18805	18730	18561	2.41	2.43	2.44	2.44	2.45
	17°F (-8.3°C)	19370	18982	18887	18812	18643	2.36	2.38	2.38	2.39	2.40
	22°F (-5.6°C)	19380	18992	18897	18822	18652	2.24	2.26	2.27	2.27	2.28
	27°F (-2.8°C)	19390	19003	18908	18832	18662	2.13	2.15	2.15	2.16	2.17
	32°F (-0.0°C)	19401	19013	18918	18842	18672	2.02	2.04	2.04	2.04	2.05
	35°F (1.7°C)	19407	19019	18924	18848	18678	1.95	1.97	1.97	1.98	1.98
	37°F (2.8°C)	19979	19580	19482	19404	19229	1.94	1.95	1.96	1.96	1.97
	42°F (5.6°C)	21411	20983	20878	20794	20607	1.90	1.91	1.92	1.92	1.93
	44.6°F (7.0°C)	21984	21544	21436	21350	21158	1.88	1.90	1.90	1.91	1.91
	47°F (8.3°C)	22842	22386	22274	22185	21985	1.86	1.87	1.88	1.88	1.89
	52°F (11.1°C)	20743	20328	20227	20146	19964	1.71	1.73	1.73	1.73	1.74
	57°F (13.9°C)	18644	18271	18180	18107	17944	1.56	1.58	1.58	1.58	1.59
	59°F (15.0°C)	17804	17448	17361	17291	17136	1.51	1.52	1.52	1.52	1.53
	62°F (16.7°C)	16545	16214	16133	16068	15923	1.42	1.43	1.43	1.43	1.44
	64.4°F (18.0°C)	15705	15391	15314	15253	15115	1.36	1.37	1.37	1.37	1.38
620	-22°F (-30.0°C)	12233	11988	11928	11881	11774	1.98	1.99	2.00	2.00	2.01
	-13°F (-25.0°C)	14577	14286	14214	14158	14030	2.16	2.18	2.19	2.19	2.20
	-4°F (-20.0°C)	16936	16597	16514	16448	16300	2.34	2.36	2.36	2.36	2.37
	0°F (-17.8°C)	18188	17824	17735	17664	17505	2.45	2.47	2.48	2.48	2.49
	5°F (-15.0°C)	19753	19358	19261	19184	19011	2.60	2.62	2.63	2.63	2.64
	14°F (-10.0°C)	20015	19615	19517	19439	19264	2.44	2.46	2.46	2.47	2.48
	17°F (-8.3°C)	20102	19700	19602	19524	19348	2.38	2.40	2.41	2.41	2.42
	22°F (-5.6°C)	20113	19711	19612	19534	19358	2.27	2.29	2.29	2.29	2.30
	27°F (-2.8°C)	20124	19721	19623	19544	19368	2.15	2.17	2.18	2.18	2.19
	32°F (-0.0°C)	20135	19732	19633	19555	19379	2.04	2.06	2.06	2.06	2.07
	35°F (1.7°C)	20141	19738	19639	19561	19385	1.97	1.99	1.99	1.99	2.00
	37°F (2.8°C)	20735	20321	20219	20138	19957	1.96	1.97	1.98	1.98	1.99
	42°F (5.6°C)	22221	21777	21668	21581	21387	1.92	1.93	1.94	1.94	1.95
	44.6°F (7.0°C)	22815	22359	22247	22158	21959	1.90	1.92	1.92	1.92	1.93
	47°F (8.3°C)	23707	23232	23116	23024	22817	1.88	1.89	1.90	1.90	1.91
	52°F (11.1°C)	21528	21097	20992	20908	20720	1.73	1.74	1.75	1.75	1.76
	57°F (13.9°C)	19349	18962	18867	18792	18623	1.58	1.59	1.60	1.60	1.61
	59°F (15.0°C)	18478	18108	18018	17945	17784	1.52	1.53	1.54	1.54	1.55
	62°F (16.7°C)	17170	16827	16743	16676	16526	1.43	1.44	1.45	1.45	1.45
	64.4°F (18.0°C)	16299	15973	15893	15830	15687	1.37	1.38	1.39	1.39	1.39

Table 8: Cooling Performance - 24K D5CUHA + D5FUHA (Sheet 1 of 8)

AIRFLOW (CFM)	OUTDOOR DB °F (°C)	ID WB(°F)	60.8°F (16.0°C)					64.4°F (18.0°C)					67°F (19.4°C)					71.6°F (22.0°C)				
		ID DB(°F)	73.4°F (23.0°C)	77.0°F (25.0°C)	80.0°F (26.7°C)	80.6°F (27.0°C)	84.2°F (29.0°C)	73.4°F (23.0°C)	77.0°F (25.0°C)	80.0°F (26.7°C)	80.6°F (27.0°C)	84.2°F (29.0°C)	73.4°F (23.0°C)	77.0°F (25.0°C)	80.0°F (26.7°C)	80.6°F (27.0°C)	84.2°F (29.0°C)	73.4°F (23.0°C)	77.0°F (25.0°C)	80.0°F (26.7°C)	80.6°F (27.0°C)	84.2°F (29.0°C)
629	-22°F (-30.0°C)	TC	15246	15266	15283	15283	15304	16165	16184	16200	16203	16222	17130	17153	17172	17175	17194	18163	18182	18202	18205	18228
		S/T	0.41	0.48	0.54	0.54	0.62	0.43	0.51	0.58	0.58	0.66	0.46	0.54	0.61	0.61	0.70	0.48	0.57	0.65	0.65	0.74
		PI	0.65	0.65	0.65	0.65	0.65	0.69	0.69	0.69	0.69	0.69	0.73	0.73	0.73	0.73	0.73	0.77	0.77	0.77	0.77	0.78
	-13°F (-25.0°C)	TC	16516	16539	16556	16557	16579	17512	17532	17550	17553	17574	18558	18582	18603	18606	18627	19676	19697	19719	19722	19747
		S/T	0.41	0.48	0.55	0.55	0.62	0.43	0.51	0.58	0.58	0.66	0.46	0.54	0.61	0.61	0.70	0.49	0.57	0.65	0.65	0.74
		PI	0.70	0.70	0.70	0.70	0.71	0.74	0.75	0.75	0.75	0.75	0.79	0.79	0.79	0.79	0.79	0.84	0.84	0.84	0.84	0.84
	-4°F (-20.0°C)	TC	17787	17811	17830	17831	17855	18859	18881	18900	18903	18926	19985	20011	20034	20037	20060	21190	21213	21236	21239	21265
		S/T	0.41	0.48	0.55	0.55	0.63	0.44	0.51	0.58	0.58	0.66	0.46	0.54	0.62	0.62	0.70	0.49	0.58	0.65	0.65	0.75
		PI	0.76	0.76	0.76	0.76	0.76	0.80	0.80	0.80	0.80	0.81	0.85	0.85	0.85	0.85	0.85	0.90	0.90	0.90	0.90	0.90
	0°F (-17.8°C)	TC	18351	18376	18396	18397	18422	19457	19480	19500	19504	19527	20620	20647	20670	20674	20697	21862	21886	21910	21913	21941
		S/T	0.41	0.48	0.55	0.55	0.63	0.44	0.51	0.58	0.58	0.67	0.46	0.54	0.62	0.62	0.71	0.49	0.58	0.66	0.66	0.75
		PI	0.78	0.78	0.78	0.78	0.78	0.83	0.83	0.83	0.83	0.83	0.88	0.88	0.88	0.88	0.88	0.93	0.93	0.93	0.93	0.93
	5°F (-15.0°C)	TC	19057	19083	19103	19104	19130	20206	20230	20250	20254	20278	21413	21441	21465	21469	21493	22703	22728	22753	22756	22784
		S/T	0.42	0.49	0.55	0.55	0.63	0.44	0.52	0.59	0.59	0.67	0.47	0.55	0.62	0.62	0.71	0.49	0.58	0.66	0.66	0.75
		PI	0.81	0.81	0.81	0.81	0.81	0.86	0.86	0.86	0.86	0.86	0.91	0.91	0.91	0.91	0.91	0.97	0.97	0.97	0.97	0.97
	14°F (-10.0°C)	TC	20172	20199	20221	20222	20249	21388	21413	21434	21439	21464	22666	22695	22720	22725	22750	24031	24057	24084	24087	24117
		S/T	0.42	0.49	0.55	0.55	0.63	0.44	0.52	0.59	0.59	0.67	0.47	0.55	0.62	0.62	0.71	0.50	0.58	0.66	0.66	0.75
		PI	0.91	0.91	0.91	0.91	0.92	0.97	0.97	0.97	0.97	0.97	1.02	1.03	1.03	1.03	1.03	1.09	1.09	1.09	1.09	1.09
	17°F (-8.3°C)	TC	20544	20571	20594	20594	20622	21782	21808	21829	21833	21859	23083	23113	23139	23143	23169	24474	24501	24527	24531	24562
		S/T	0.42	0.49	0.56	0.56	0.63	0.44	0.52	0.59	0.59	0.67	0.47	0.55	0.63	0.63	0.71	0.50	0.58	0.66	0.66	0.76
		PI	0.95	0.95	0.95	0.95	0.95	1.00	1.00	1.00	1.01	1.01	1.06	1.06	1.07	1.07	1.07	1.13	1.13	1.13	1.13	1.13
	23°F (-5.0°C)	TC	20072	20099	20121	20122	20149	21282	21307	21328	21333	21358	22554	22583	22608	22612	22638	23913	23938	23965	23968	23998
		S/T	0.42	0.49	0.56	0.56	0.64	0.44	0.52	0.59	0.59	0.68	0.47	0.55	0.63	0.63	0.72	0.50	0.59	0.67	0.67	0.76
		PI	1.02	1.02	1.02	1.02	1.02	1.08	1.08	1.08	1.08	1.09	1.15	1.15	1.15	1.15	1.15	1.21	1.22	1.22	1.22	1.22
35°F (1.7°C)	TC	19130	19156	19176	19177	19203	20283	20307	20327	20331	20355	21494	21522	21546	21550	21574	22790	22814	22839	22843	22871	
	S/T	0.42	0.49	0.56	0.56	0.64	0.45	0.52	0.60	0.60	0.68	0.47	0.56	0.63	0.63	0.72	0.50	0.59	0.67	0.67	0.76	
	PI	1.17	1.17	1.17	1.17	1.17	1.24	1.24	1.24	1.24	1.24	1.31	1.31	1.32	1.32	1.32	1.39	1.39	1.39	1.39	1.40	
41°F (5.0°C)	TC	17615	17639	17658	17658	17682	18676	18699	18717	18721	18743	19792	19818	19840	19844	19866	20985	21008	21030	21034	21060	
	S/T	0.42	0.50	0.56	0.56	0.64	0.45	0.53	0.60	0.60	0.68	0.47	0.56	0.63	0.63	0.72	0.50	0.59	0.67	0.67	0.76	
	PI	0.95	0.95	0.95	0.95	0.96	1.01	1.01	1.01	1.01	1.01	1.07	1.07	1.07	1.07	1.07	1.13	1.14	1.14	1.14	1.14	
47°F (8.3°C)	TC	16100	16122	16139	16140	16161	17070	17090	17107	17111	17131	18090	18114	18134	18137	18157	19180	19201	19222	19225	19249	
	S/T	0.42	0.50	0.56	0.56	0.64	0.45	0.53	0.60	0.60	0.68	0.48	0.56	0.63	0.63	0.72	0.50	0.59	0.67	0.67	0.77	
	PI	0.74	0.74	0.74	0.74	0.74	0.78	0.78	0.78	0.78	0.78	0.83	0.83	0.83	0.83	0.83	0.88	0.88	0.88	0.88	0.88	

Manufacturer reserves the right to change, at any time, specifications and designs without notice and without obligations.

Table 8: Cooling Performance - 24K D5CUHA + D5FUHA (Sheet 2 of 8)

629	50°F (10.0°C)	TC	16195	16217	16234	16235	16257	17171	17191	17208	17212	17232	18197	18221	18241	18244	18265	19293	19314	19335	19338	19362
		S/T	0.43	0.50	0.57	0.57	0.65	0.45	0.53	0.60	0.60	0.69	0.48	0.56	0.64	0.64	0.73	0.51	0.60	0.68	0.68	0.77
		PI	0.75	0.75	0.76	0.76	0.76	0.80	0.80	0.80	0.80	0.80	0.85	0.85	0.85	0.85	0.85	0.85	0.90	0.90	0.90	0.90
	59°F (15.0°C)	TC	16481	16503	16521	16521	16544	17474	17495	17512	17515	17536	18518	18542	18562	18566	18587	19634	19655	19676	19679	19704
		S/T	0.43	0.50	0.57	0.57	0.65	0.45	0.53	0.60	0.60	0.69	0.48	0.56	0.64	0.64	0.73	0.51	0.60	0.68	0.68	0.77
		PI	0.80	0.80	0.80	0.80	0.81	0.85	0.85	0.85	0.85	0.85	0.90	0.90	0.90	0.90	0.90	0.96	0.96	0.96	0.96	0.96
	68°F (20.0°C)	TC	16766	16789	16807	16808	16830	17777	17798	17815	17819	17840	18839	18863	18884	18888	18909	19974	19995	20017	20020	20045
		S/T	0.44	0.52	0.59	0.59	0.67	0.47	0.55	0.62	0.62	0.71	0.49	0.58	0.66	0.66	0.75	0.52	0.61	0.70	0.70	0.80
		PI	0.85	0.85	0.85	0.85	0.85	0.90	0.90	0.90	0.90	0.91	0.96	0.96	0.96	0.96	0.96	1.01	1.02	1.02	1.02	1.02
	77°F (25.0°C)	TC	17052	17075	17093	17094	17117	18079	18101	18119	18122	18144	19159	19184	19206	19209	19231	20314	20336	20358	20361	20387
		S/T	0.45	0.52	0.59	0.59	0.68	0.47	0.55	0.63	0.63	0.72	0.50	0.59	0.67	0.67	0.76	0.53	0.62	0.71	0.71	0.81
		PI	0.90	0.90	0.90	0.90	0.90	0.95	0.96	0.96	0.96	0.96	1.01	1.01	1.01	1.01	1.02	1.07	1.07	1.07	1.07	1.08
	82°F (27.8°C)	TC	17746	17770	17789	17790	17814	18815	18838	18856	18860	18882	19940	19965	19988	19991	20014	21141	21164	21187	21190	21217
		S/T	0.45	0.53	0.60	0.60	0.69	0.48	0.56	0.64	0.64	0.73	0.51	0.59	0.68	0.68	0.77	0.54	0.63	0.72	0.72	0.82
		PI	1.08	1.08	1.08	1.08	1.08	1.14	1.14	1.15	1.15	1.15	1.21	1.21	1.21	1.21	1.22	1.28	1.29	1.29	1.29	1.29
	86°F (30.0°C)	TC	18977	19003	19023	19024	19050	20121	20145	20165	20169	20193	21323	21351	21375	21379	21402	22608	22632	22657	22661	22689
		S/T	0.46	0.54	0.61	0.61	0.69	0.48	0.57	0.65	0.65	0.74	0.51	0.60	0.68	0.68	0.78	0.54	0.64	0.72	0.72	0.83
		PI	1.41	1.41	1.41	1.41	1.42	1.50	1.50	1.50	1.50	1.50	1.59	1.59	1.59	1.59	1.59	1.68	1.68	1.68	1.69	1.69
	95°F (35.0°C)	TC	21748	21777	21801	21802	21831	23059	23086	23109	23113	23141	24436	24468	24495	24500	24527	25909	25937	25965	25969	26001
		S/T	0.46	0.54	0.61	0.61	0.69	0.48	0.57	0.65	0.65	0.74	0.51	0.60	0.68	0.68	0.78	0.54	0.64	0.72	0.72	0.83
		PI	2.16	2.16	2.17	2.17	2.17	2.29	2.29	2.30	2.30	2.30	2.43	2.43	2.43	2.43	2.44	2.57	2.58	2.58	2.58	2.58
	104°F (40.0°C)	TC	19422	19448	19469	19470	19496	20593	20617	20637	20641	20666	21823	21851	21876	21880	21904	23138	23163	23188	23192	23221
		S/T	0.47	0.55	0.62	0.62	0.71	0.50	0.58	0.66	0.66	0.75	0.53	0.62	0.70	0.70	0.80	0.56	0.65	0.74	0.74	0.85
PI		2.14	2.15	2.15	2.15	2.15	2.27	2.28	2.28	2.28	2.28	2.41	2.41	2.41	2.42	2.42	2.55	2.56	2.56	2.56	2.56	
110°F (43.0°C)	TC	18027	18051	18070	18071	18095	19113	19136	19155	19158	19181	20255	20281	20304	20308	20330	21475	21499	21522	21525	21552	
	S/T	0.49	0.57	0.65	0.65	0.74	0.51	0.60	0.69	0.69	0.78	0.54	0.64	0.73	0.73	0.83	0.58	0.68	0.77	0.77	0.88	
	PI	2.13	2.14	2.14	2.14	2.14	2.26	2.27	2.27	2.27	2.27	2.40	2.40	2.40	2.40	2.41	2.54	2.55	2.55	2.55	2.55	
115°F (46.0°C)	TC	16067	16088	16106	16106	16128	17035	17055	17072	17075	17096	18053	18076	18096	18100	18120	19140	19161	19182	19185	19209	
	S/T	0.49	0.58	0.65	0.65	0.75	0.52	0.61	0.69	0.69	0.79	0.55	0.65	0.74	0.74	0.84	0.58	0.69	0.78	0.78	0.89	
	PI	1.95	1.95	1.95	1.95	1.96	2.07	2.07	2.07	2.07	2.07	2.19	2.19	2.20	2.20	2.20	2.32	2.32	2.33	2.33	2.33	
122°F (50.0°C)	TC	13453	13471	13486	13486	13505	14264	14281	14295	14298	14315	15116	15136	15153	15156	15172	16027	16044	16062	16064	16084	
	S/T	0.50	0.59	0.67	0.67	0.76	0.53	0.62	0.71	0.71	0.81	0.56	0.66	0.75	0.75	0.86	0.60	0.70	0.80	0.80	0.91	
	PI	1.70	1.71	1.71	1.71	1.71	1.81	1.81	1.81	1.81	1.81	1.91	1.92	1.92	1.92	1.92	2.03	2.03	2.03	2.03	2.04	
694	-22°F (-30.0°C)	TC	16064	16086	16103	16104	16125	17032	17052	17069	17072	17093	18050	18073	18093	18097	18117	19137	19158	19179	19182	19206
		S/T	0.43	0.50	0.57	0.57	0.65	0.45	0.53	0.61	0.61	0.69	0.48	0.57	0.64	0.64	0.73	0.51	0.60	0.68	0.68	0.78
		PI	0.68	0.68	0.68	0.68	0.69	0.72	0.73	0.73	0.73	0.73	0.77	0.77	0.77	0.77	0.77	0.81	0.81	0.82	0.82	0.82

Table 8: Cooling Performance - 24K D5CUHA + D5FUHA (Sheet 3 of 8)

629	-13°F (-25.0°C)	TC	17403	17426	17445	17446	17469	18451	18473	18491	18495	18517	19554	19579	19601	19605	19626	20732	20754	20777	20780	20806
		S/T	0.43	0.51	0.58	0.58	0.66	0.46	0.54	0.61	0.61	0.70	0.49	0.57	0.65	0.65	0.74	0.51	0.60	0.69	0.69	0.78
		PI	0.74	0.74	0.74	0.74	0.74	0.78	0.79	0.79	0.79	0.79	0.79	0.83	0.83	0.83	0.83	0.83	0.88	0.88	0.88	0.88
	-4°F (-20.0°C)	TC	18741	18766	18787	18788	18813	19871	19894	19914	19918	19941	21058	21085	21109	21113	21136	22327	22351	22375	22379	22407
		S/T	0.43	0.51	0.58	0.58	0.66	0.46	0.54	0.61	0.61	0.70	0.49	0.57	0.65	0.65	0.74	0.52	0.61	0.69	0.69	0.79
		PI	0.80	0.80	0.80	0.80	0.80	0.85	0.85	0.85	0.85	0.85	0.90	0.90	0.90	0.90	0.90	0.95	0.95	0.95	0.95	0.95
	0°F (-17.8°C)	TC	19336	19362	19383	19384	19410	20502	20526	20546	20550	20575	21726	21755	21779	21783	21807	23035	23060	23086	23089	23118
		S/T	0.44	0.51	0.58	0.58	0.66	0.46	0.54	0.62	0.62	0.70	0.49	0.57	0.65	0.65	0.74	0.52	0.61	0.69	0.69	0.79
		PI	0.82	0.82	0.82	0.82	0.83	0.87	0.87	0.87	0.87	0.88	0.92	0.93	0.93	0.93	0.93	0.98	0.98	0.98	0.98	0.98
	5°F (-15.0°C)	TC	20080	20107	20129	20130	20157	21290	21315	21336	21341	21366	22562	22591	22617	22621	22646	23921	23947	23974	23977	24007
		S/T	0.44	0.51	0.58	0.58	0.67	0.46	0.54	0.62	0.62	0.71	0.49	0.58	0.66	0.66	0.75	0.52	0.61	0.69	0.69	0.79
		PI	0.85	0.86	0.86	0.86	0.86	0.91	0.91	0.91	0.91	0.91	0.96	0.96	0.96	0.96	0.96	1.02	1.02	1.02	1.02	1.02
	14°F (-10.0°C)	TC	21255	21283	21306	21307	21336	22536	22562	22585	22589	22616	23882	23913	23940	23944	23971	25321	25348	25376	25380	25412
		S/T	0.44	0.51	0.58	0.58	0.67	0.46	0.55	0.62	0.62	0.71	0.49	0.58	0.66	0.66	0.75	0.52	0.61	0.70	0.70	0.79
		PI	0.96	0.96	0.96	0.96	0.96	1.02	1.02	1.02	1.02	1.02	1.08	1.08	1.08	1.08	1.08	1.14	1.15	1.15	1.15	1.15
	17°F (-8.3°C)	TC	21646	21675	21699	21700	21729	22951	22978	23001	23005	23032	24322	24353	24381	24385	24412	25787	25815	25843	25847	25880
		S/T	0.44	0.52	0.59	0.59	0.67	0.47	0.55	0.62	0.62	0.71	0.49	0.58	0.66	0.66	0.75	0.52	0.61	0.70	0.70	0.80
		PI	1.00	1.00	1.00	1.00	1.00	1.06	1.06	1.06	1.06	1.06	1.12	1.12	1.12	1.12	1.12	1.19	1.19	1.19	1.19	1.19
	23°F (-5.0°C)	TC	21150	21178	21201	21202	21230	22424	22451	22473	22477	22504	23764	23795	23821	23826	23852	25196	25223	25251	25254	25286
		S/T	0.44	0.52	0.59	0.59	0.67	0.47	0.55	0.62	0.62	0.71	0.50	0.58	0.66	0.66	0.75	0.53	0.62	0.70	0.70	0.80
		PI	1.07	1.08	1.08	1.08	1.08	1.14	1.14	1.14	1.14	1.14	1.21	1.21	1.21	1.21	1.21	1.28	1.28	1.28	1.28	1.28
	35°F (1.7°C)	TC	20156	20183	20205	20206	20233	21371	21396	21418	21422	21447	22648	22677	22703	22707	22732	24012	24039	24065	24068	24098
		S/T	0.44	0.52	0.59	0.59	0.68	0.47	0.55	0.63	0.63	0.72	0.50	0.59	0.67	0.67	0.76	0.53	0.62	0.71	0.71	0.80
		PI	1.23	1.23	1.23	1.23	1.24	1.30	1.31	1.31	1.31	1.31	1.38	1.38	1.39	1.39	1.39	1.47	1.47	1.47	1.47	1.47
41°F (5.0°C)	TC	18560	18585	18605	18606	18631	19679	19702	19721	19725	19749	20854	20881	20905	20909	20932	22111	22135	22159	22162	22190	
	S/T	0.45	0.52	0.59	0.59	0.68	0.47	0.55	0.63	0.63	0.72	0.50	0.59	0.67	0.67	0.76	0.53	0.62	0.71	0.71	0.81	
	PI	1.00	1.00	1.01	1.01	1.01	1.06	1.07	1.07	1.07	1.07	1.13	1.13	1.13	1.13	1.13	1.20	1.20	1.20	1.20	1.20	
47°F (8.3°C)	TC	16964	16987	17005	17006	17029	17986	18007	18025	18029	18050	19061	19086	19107	19110	19132	20209	20231	20253	20256	20282	
	S/T	0.45	0.52	0.60	0.60	0.68	0.47	0.56	0.63	0.63	0.72	0.50	0.59	0.67	0.67	0.76	0.53	0.62	0.71	0.71	0.81	
	PI	0.78	0.78	0.78	0.78	0.78	0.82	0.82	0.83	0.83	0.83	0.87	0.87	0.87	0.87	0.88	0.93	0.93	0.93	0.93	0.93	
50°F (10.0°C)	TC	17064	17087	17105	17106	17129	18093	18114	18132	18135	18157	19173	19198	19220	19223	19245	20329	20351	20373	20376	20401	
	S/T	0.45	0.53	0.60	0.60	0.68	0.48	0.56	0.63	0.63	0.72	0.50	0.59	0.67	0.67	0.77	0.53	0.63	0.71	0.71	0.81	
	PI	0.79	0.79	0.80	0.80	0.80	0.84	0.84	0.84	0.84	0.84	0.89	0.89	0.89	0.89	0.90	0.95	0.95	0.95	0.95	0.95	
59°F (15.0°C)	TC	17365	17388	17407	17408	17431	18411	18433	18451	18455	18477	19511	19537	19559	19562	19584	20687	20710	20732	20735	20761	
	S/T	0.45	0.53	0.60	0.60	0.69	0.48	0.56	0.64	0.64	0.73	0.51	0.59	0.68	0.68	0.77	0.54	0.63	0.72	0.72	0.82	
	PI	0.85	0.85	0.85	0.85	0.85	0.90	0.90	0.90	0.90	0.90	0.95	0.95	0.95	0.95	0.95	1.01	1.01	1.01	1.01	1.01	

Manufacturer reserves the right to change, at any time, specifications and designs without notice and without obligations.

Table 8: Cooling Performance - 24K D5CUHA + D5FUHA (Sheet 4 of 8)

629	68°F (20.0°C)	TC	17666	17690	17709	17709	17733	18730	18753	18771	18775	18797	19849	19875	19897	19901	19923	21045	21068	21091	21095	21121
		S/T	0.46	0.54	0.62	0.62	0.70	0.49	0.58	0.65	0.65	0.75	0.52	0.61	0.69	0.69	0.79	0.55	0.65	0.74	0.74	0.84
		PI	0.90	0.90	0.90	0.90	0.90	0.95	0.95	0.95	0.95	0.95	1.01	1.01	1.01	1.01	1.01	1.07	1.07	1.07	1.07	1.07
	77°F (25.0°C)	TC	17967	17991	18010	18011	18035	19049	19072	19091	19095	19117	20188	20214	20236	20240	20263	21404	21427	21450	21454	21481
		S/T	0.47	0.55	0.63	0.63	0.71	0.50	0.58	0.66	0.66	0.76	0.53	0.62	0.70	0.70	0.80	0.56	0.66	0.74	0.74	0.85
		PI	0.95	0.95	0.95	0.95	0.95	1.01	1.01	1.01	1.01	1.01	1.07	1.07	1.07	1.07	1.07	1.13	1.13	1.13	1.13	1.13
	82°F (27.8°C)	TC	18698	18723	18744	18744	18770	19825	19849	19868	19872	19896	21010	21037	21060	21064	21088	22275	22300	22324	22327	22355
		S/T	0.47	0.56	0.63	0.63	0.72	0.50	0.59	0.67	0.67	0.77	0.53	0.63	0.71	0.71	0.81	0.57	0.66	0.75	0.75	0.86
		PI	1.14	1.14	1.14	1.14	1.14	1.20	1.21	1.21	1.21	1.21	1.28	1.28	1.28	1.28	1.28	1.35	1.35	1.36	1.36	1.36
	86°F (30.0°C)	TC	19996	20023	20044	20045	20072	21201	21226	21247	21251	21276	22467	22497	22522	22526	22551	23821	23847	23873	23877	23906
		S/T	0.48	0.56	0.64	0.64	0.73	0.51	0.60	0.68	0.68	0.77	0.54	0.63	0.72	0.72	0.82	0.57	0.67	0.76	0.76	0.87
		PI	1.49	1.49	1.49	1.49	1.49	1.58	1.58	1.58	1.58	1.58	1.67	1.67	1.67	1.68	1.68	1.77	1.77	1.78	1.78	1.78
	95°F (35.0°C)	TC	22915	22946	22971	22972	23003	24296	24325	24349	24354	24382	25748	25781	25810	25814	25843	27299	27329	27358	27363	27397
		S/T	0.48	0.56	0.64	0.64	0.73	0.51	0.60	0.68	0.68	0.77	0.54	0.63	0.72	0.72	0.82	0.57	0.67	0.76	0.76	0.87
		PI	2.28	2.28	2.28	2.28	2.28	2.41	2.42	2.42	2.42	2.42	2.56	2.56	2.56	2.56	2.57	2.71	2.71	2.72	2.72	2.72
	104°F (40.0°C)	TC	20464	20492	20514	20515	20543	21698	21723	21745	21749	21775	22994	23024	23049	23054	23079	24379	24406	24432	24436	24467
		S/T	0.49	0.58	0.66	0.66	0.75	0.52	0.61	0.70	0.70	0.79	0.55	0.65	0.74	0.74	0.84	0.59	0.69	0.78	0.78	0.89
		PI	2.26	2.26	2.26	2.26	2.27	2.40	2.40	2.40	2.40	2.40	2.54	2.54	2.54	2.54	2.55	2.69	2.69	2.70	2.70	2.70
	110°F (43.0°C)	TC	18994	19020	19040	19041	19067	20139	20162	20182	20186	20210	21342	21370	21393	21397	21421	22628	22652	22677	22680	22709
		S/T	0.51	0.60	0.68	0.68	0.78	0.54	0.64	0.72	0.72	0.82	0.57	0.67	0.77	0.77	0.87	0.61	0.71	0.81	0.81	0.93
		PI	2.25	2.25	2.25	2.25	2.26	2.38	2.39	2.39	2.39	2.39	2.53	2.53	2.53	2.53	2.54	2.68	2.68	2.68	2.69	2.69
	115°F (46.0°C)	TC	16929	16952	16970	16971	16993	17949	17970	17988	17992	18013	19021	19046	19067	19071	19092	20167	20189	20211	20214	20240
		S/T	0.52	0.61	0.69	0.69	0.79	0.55	0.64	0.73	0.73	0.83	0.58	0.68	0.77	0.77	0.88	0.62	0.72	0.82	0.82	0.94
		PI	2.05	2.06	2.06	2.06	2.06	2.18	2.18	2.18	2.18	2.19	2.31	2.31	2.31	2.31	2.32	2.45	2.45	2.45	2.45	2.46
122°F (50.0°C)	TC	14175	14194	14210	14210	14229	15029	15047	15062	15065	15083	15927	15948	15966	15969	15987	16887	16905	16924	16926	16948	
	S/T	0.53	0.62	0.71	0.71	0.80	0.56	0.66	0.75	0.75	0.85	0.59	0.70	0.79	0.79	0.90	0.63	0.74	0.84	0.84	0.96	
	PI	1.79	1.80	1.80	1.80	1.80	1.90	1.90	1.91	1.91	1.91	2.02	2.02	2.02	2.02	2.02	2.14	2.14	2.14	2.14	2.15	
759	-22°F (-30.0°C)	TC	16926	16949	16967	16968	16991	17946	17967	17985	17989	18010	19018	19043	19064	19068	19089	20164	20186	20208	20211	20236
		S/T	0.45	0.53	0.60	0.60	0.69	0.48	0.56	0.64	0.64	0.73	0.51	0.60	0.68	0.68	0.77	0.54	0.63	0.72	0.72	0.82
		PI	0.72	0.72	0.72	0.72	0.72	0.76	0.76	0.76	0.77	0.77	0.81	0.81	0.81	0.81	0.81	0.86	0.86	0.86	0.86	0.86
	-13°F (-25.0°C)	TC	18336	18361	18381	18382	18407	19442	19465	19484	19488	19511	20603	20630	20653	20657	20680	21844	21868	21892	21895	21923
		S/T	0.45	0.53	0.61	0.61	0.69	0.48	0.57	0.64	0.64	0.73	0.51	0.60	0.68	0.68	0.78	0.54	0.64	0.72	0.72	0.82
		PI	0.78	0.78	0.78	0.78	0.78	0.83	0.83	0.83	0.83	0.83	0.88	0.88	0.88	0.88	0.88	0.93	0.93	0.93	0.93	0.93
	-4°F (-20.0°C)	TC	19747	19774	19795	19796	19822	20937	20962	20983	20987	21012	22188	22217	22241	22246	22270	23525	23550	23576	23580	23609
		S/T	0.46	0.54	0.61	0.61	0.70	0.48	0.57	0.65	0.65	0.74	0.51	0.60	0.69	0.69	0.78	0.54	0.64	0.73	0.73	0.83
		PI	0.84	0.84	0.84	0.84	0.84	0.89	0.89	0.89	0.89	0.89	0.94	0.94	0.95	0.95	0.95	1.00	1.00	1.00	1.00	1.00

Table 8: Cooling Performance - 24K D5CUHA + D5FUHA (Sheet 5 of 8)

759	0°F (-17.8°C)	TC	20374	20401	20423	20424	20452	21602	21627	21649	21653	21679	22892	22922	22948	22952	22977	24272	24298	24324	24328	24358
		S/T	0.46	0.54	0.61	0.61	0.70	0.49	0.57	0.65	0.65	0.74	0.52	0.60	0.69	0.69	0.78	0.55	0.64	0.73	0.73	0.83
		PI	0.87	0.87	0.87	0.87	0.87	0.92	0.92	0.92	0.92	0.92	0.92	0.97	0.97	0.98	0.98	0.98	1.03	1.03	1.03	1.03
	5°F (-15.0°C)	TC	21157	21186	21209	21210	21238	22433	22459	22481	22486	22512	23773	23804	23830	23835	23861	25205	25232	25260	25264	25295
		S/T	0.46	0.54	0.61	0.61	0.70	0.49	0.57	0.65	0.65	0.74	0.52	0.61	0.69	0.69	0.79	0.55	0.64	0.73	0.73	0.83
		PI	0.90	0.90	0.90	0.90	0.90	0.95	0.96	0.96	0.96	0.96	1.01	1.01	1.01	1.01	1.01	1.07	1.07	1.07	1.07	1.08
	14°F (-10.0°C)	TC	22395	22425	22449	22450	22481	23745	23773	23796	23801	23829	25163	25196	25224	25229	25257	26680	26709	26738	26742	26775
		S/T	0.46	0.54	0.62	0.62	0.70	0.49	0.57	0.65	0.65	0.74	0.52	0.61	0.69	0.69	0.79	0.55	0.65	0.73	0.73	0.84
		PI	1.01	1.01	1.01	1.01	1.02	1.07	1.07	1.08	1.08	1.08	1.14	1.14	1.14	1.14	1.14	1.21	1.21	1.21	1.21	1.21
	17°F (-8.3°C)	TC	22808	22838	22863	22864	22895	24182	24211	24235	24240	24268	25627	25660	25689	25694	25722	27171	27201	27230	27234	27268
		S/T	0.46	0.54	0.62	0.62	0.70	0.49	0.58	0.65	0.65	0.75	0.52	0.61	0.69	0.69	0.79	0.55	0.65	0.74	0.74	0.84
		PI	1.05	1.05	1.05	1.05	1.05	1.11	1.11	1.12	1.12	1.12	1.18	1.18	1.18	1.18	1.18	1.25	1.25	1.25	1.25	1.26
	23°F (-5.0°C)	TC	22284	22314	22338	22339	22370	23627	23655	23679	23683	23712	25039	25072	25100	25104	25132	26548	26577	26606	26610	26643
		S/T	0.47	0.55	0.62	0.62	0.71	0.49	0.58	0.66	0.66	0.75	0.52	0.61	0.70	0.70	0.80	0.55	0.65	0.74	0.74	0.84
		PI	1.13	1.13	1.13	1.14	1.14	1.20	1.20	1.20	1.20	1.20	1.27	1.27	1.28	1.28	1.28	1.35	1.35	1.35	1.35	1.35
	35°F (1.7°C)	TC	21238	21267	21289	21290	21319	22518	22545	22567	22571	22598	23863	23894	23921	23925	23952	25301	25329	25356	25360	25392
		S/T	0.47	0.55	0.62	0.62	0.71	0.50	0.58	0.66	0.66	0.75	0.53	0.62	0.70	0.70	0.80	0.56	0.65	0.74	0.74	0.85
		PI	1.30	1.30	1.30	1.30	1.30	1.37	1.38	1.38	1.38	1.38	1.46	1.46	1.46	1.46	1.46	1.54	1.55	1.55	1.55	1.55
	41°F (5.0°C)	TC	19556	19582	19603	19604	19631	20735	20759	20780	20784	20808	21973	22002	22026	22031	22055	23297	23323	23348	23352	23381
		S/T	0.47	0.55	0.63	0.63	0.71	0.50	0.58	0.66	0.66	0.76	0.53	0.62	0.70	0.70	0.80	0.56	0.66	0.74	0.74	0.85
		PI	1.06	1.06	1.06	1.06	1.06	1.12	1.12	1.12	1.12	1.13	1.19	1.19	1.19	1.19	1.19	1.26	1.26	1.26	1.26	1.26
47°F (8.3°C)	TC	17874	17898	17917	17918	17942	18951	18974	18993	18996	19019	20084	20110	20132	20136	20158	21294	21317	21340	21343	21370	
	S/T	0.47	0.55	0.63	0.63	0.71	0.50	0.59	0.66	0.66	0.76	0.53	0.62	0.70	0.70	0.80	0.56	0.66	0.75	0.75	0.85	
	PI	0.82	0.82	0.82	0.82	0.82	0.87	0.87	0.87	0.87	0.87	0.92	0.92	0.92	0.92	0.92	0.97	0.98	0.98	0.98	0.98	
50°F (10.0°C)	TC	17980	18004	18023	18024	18049	19063	19086	19105	19109	19131	20202	20229	20251	20255	20277	21420	21443	21466	21469	21496	
	S/T	0.47	0.55	0.63	0.63	0.72	0.50	0.59	0.67	0.67	0.76	0.53	0.62	0.71	0.71	0.81	0.56	0.66	0.75	0.75	0.86	
	PI	0.84	0.84	0.84	0.84	0.84	0.89	0.89	0.89	0.89	0.89	0.94	0.94	0.94	0.94	0.94	1.00	1.00	1.00	1.00	1.00	
59°F (15.0°C)	TC	18297	18321	18341	18342	18367	19399	19422	19442	19445	19469	20558	20585	20608	20612	20635	21797	21821	21845	21848	21875	
	S/T	0.48	0.56	0.63	0.63	0.72	0.50	0.59	0.67	0.67	0.77	0.53	0.63	0.71	0.71	0.81	0.57	0.66	0.75	0.75	0.86	
	PI	0.89	0.89	0.89	0.89	0.89	0.94	0.95	0.95	0.95	0.95	1.00	1.00	1.00	1.00	1.00	1.06	1.06	1.06	1.06	1.06	
68°F (20.0°C)	TC	18614	18639	18659	18660	18685	19736	19759	19778	19782	19806	20915	20942	20965	20969	20992	22175	22199	22223	22227	22254	
	S/T	0.49	0.57	0.65	0.65	0.74	0.52	0.61	0.69	0.69	0.79	0.55	0.64	0.73	0.73	0.83	0.58	0.68	0.77	0.77	0.88	
	PI	0.95	0.95	0.95	0.95	0.95	1.00	1.00	1.00	1.00	1.01	1.06	1.06	1.06	1.06	1.07	1.13	1.13	1.13	1.13	1.13	
77°F (25.0°C)	TC	18931	18956	18977	18978	19003	20072	20095	20115	20119	20143	21271	21298	21322	21326	21350	22552	22577	22602	22605	22633	
	S/T	0.49	0.58	0.66	0.66	0.75	0.52	0.61	0.70	0.70	0.80	0.56	0.65	0.74	0.74	0.84	0.59	0.69	0.78	0.78	0.89	
	PI	1.00	1.00	1.00	1.00	1.00	1.06	1.06	1.06	1.06	1.06	1.12	1.12	1.13	1.13	1.13	1.19	1.19	1.19	1.19	1.19	

Manufacturer reserves the right to change, at any time, specifications and designs without notice and without obligations.

Table 8: Cooling Performance - 24K D5CUHA + D5FUHA (Sheet 6 of 8)

759	82°F (27.8°C)	TC	19702	19728	19749	19750	19777	20889	20914	20934	20938	20963	22137	22166	22190	22194	22219	23471	23496	23522	23525	23555	
		S/T	0.50	0.59	0.67	0.67	0.76	0.53	0.62	0.71	0.71	0.81	0.56	0.66	0.75	0.75	0.85	0.60	0.70	0.79	0.79	0.91	
		PI	1.20	1.20	1.20	1.20	1.20	1.27	1.27	1.27	1.27	1.27	1.35	1.35	1.35	1.35	1.35	1.43	1.43	1.43	1.43	1.43	
	86°F (30.0°C)	TC	21069	21097	21120	21121	21149	22338	22365	22387	22391	22418	23673	23704	23730	23735	23761	25099	25127	25154	25158	25189	
		S/T	0.51	0.59	0.68	0.68	0.77	0.54	0.63	0.72	0.72	0.82	0.57	0.67	0.76	0.76	0.87	0.60	0.71	0.80	0.80	0.92	
		PI	1.57	1.57	1.57	1.57	1.57	1.66	1.66	1.66	1.67	1.67	1.76	1.76	1.76	1.76	1.77	1.87	1.87	1.87	1.87	1.87	
	95°F (35.0°C)	TC	24145	24177	24203	24204	24237	25600	25630	25655	25660	25691	27129	27164	27195	27200	27230	28764	28795	28826	28831	28867	
		S/T	0.51	0.59	0.68	0.68	0.77	0.54	0.63	0.72	0.72	0.82	0.57	0.67	0.76	0.76	0.87	0.60	0.71	0.80	0.80	0.92	
		PI	2.40	2.40	2.40	2.40	2.41	2.54	2.55	2.55	2.55	2.55	2.69	2.70	2.70	2.70	2.70	2.86	2.86	2.86	2.86	2.87	
	104°F (40.0°C)	TC	21562	21591	21615	21616	21645	22862	22889	22912	22916	22943	24228	24259	24286	24291	24318	25688	25716	25744	25748	25780	
		S/T	0.52	0.61	0.69	0.69	0.79	0.55	0.65	0.73	0.73	0.84	0.58	0.68	0.78	0.78	0.89	0.62	0.73	0.82	0.83	0.94	
		PI	2.38	2.38	2.39	2.39	2.39	2.52	2.53	2.53	2.53	2.53	2.67	2.68	2.68	2.68	2.68	2.84	2.84	2.84	2.84	2.85	
	110°F (43.0°C)	TC	20013	20040	20062	20063	20090	21219	21244	21265	21270	21295	22487	22516	22541	22546	22571	23842	23868	23894	23898	23927	
		S/T	0.54	0.63	0.72	0.72	0.82	0.57	0.67	0.76	0.76	0.87	0.61	0.71	0.81	0.81	0.92	0.64	0.75	0.86	0.86	0.97	
		PI	2.37	2.37	2.38	2.38	2.38	2.51	2.52	2.52	2.52	2.52	2.66	2.67	2.67	2.67	2.67	2.82	2.83	2.83	2.83	2.83	
	115°F (46.0°C)	TC	17837	17861	17880	17881	17905	18912	18935	18953	18957	18980	20042	20068	20090	20094	20117	21250	21273	21296	21299	21326	
		S/T	0.54	0.64	0.73	0.73	0.83	0.58	0.68	0.77	0.77	0.88	0.61	0.72	0.82	0.82	0.93	0.65	0.76	0.87	0.87	0.99	
		PI	2.16	2.17	2.17	2.17	2.17	2.29	2.30	2.30	2.30	2.30	2.43	2.44	2.44	2.44	2.44	2.58	2.58	2.58	2.58	2.59	
	122°F (50.0°C)	TC	14936	14956	14972	14973	14993	15836	15855	15870	15874	15892	16782	16804	16823	16826	16845	17793	17813	17832	17835	17857	
		S/T	0.56	0.65	0.74	0.74	0.85	0.59	0.69	0.79	0.79	0.90	0.63	0.73	0.84	0.84	0.95	0.66	0.78	0.89	0.89	1.00	
		PI	1.89	1.89	1.90	1.90	1.90	2.00	2.01	2.01	2.01	2.01	2.12	2.13	2.13	2.13	2.13	2.25	2.26	2.26	2.26	2.26	
	824	-22°F (-30.0°C)	TC	17834	17858	17877	17878	17902	18909	18931	18950	18954	18976	20039	20065	20087	20091	20113	21246	21269	21292	21296	21322
			S/T	0.48	0.56	0.63	0.63	0.72	0.50	0.59	0.67	0.67	0.77	0.53	0.63	0.71	0.71	0.81	0.57	0.67	0.76	0.76	0.86
			PI	0.76	0.76	0.76	0.76	0.76	0.80	0.81	0.81	0.81	0.81	0.85	0.85	0.85	0.85	0.86	0.90	0.90	0.91	0.91	0.91
-13°F (-25.0°C)		TC	19320	19346	19367	19368	19394	20485	20509	20529	20533	20558	21709	21737	21761	21765	21789	23017	23042	23067	23070	23099	
		S/T	0.48	0.56	0.64	0.64	0.73	0.51	0.60	0.68	0.68	0.77	0.54	0.63	0.72	0.72	0.82	0.57	0.67	0.76	0.76	0.87	
		PI	0.82	0.82	0.82	0.82	0.82	0.87	0.87	0.87	0.87	0.87	0.92	0.92	0.93	0.93	0.93	0.98	0.98	0.98	0.98	0.98	
-4°F (-20.0°C)		TC	20807	20835	20857	20858	20886	22061	22087	22108	22113	22139	23379	23409	23435	23439	23465	24787	24814	24841	24845	24876	
		S/T	0.48	0.57	0.64	0.64	0.73	0.51	0.60	0.68	0.68	0.78	0.54	0.64	0.72	0.72	0.82	0.57	0.67	0.77	0.77	0.87	
		PI	0.89	0.89	0.89	0.89	0.89	0.94	0.94	0.94	0.94	0.94	0.99	1.00	1.00	1.00	1.00	1.05	1.06	1.06	1.06	1.06	
0°F (-17.8°C)		TC	21467	21496	21519	21520	21549	22761	22788	22810	22815	22842	24121	24152	24179	24183	24210	25574	25602	25630	25634	25666	
		S/T	0.48	0.57	0.64	0.64	0.73	0.51	0.60	0.68	0.68	0.78	0.54	0.64	0.72	0.72	0.83	0.58	0.68	0.77	0.77	0.88	
		PI	0.91	0.91	0.92	0.92	0.92	0.97	0.97	0.97	0.97	0.97	1.03	1.03	1.03	1.03	1.03	1.09	1.09	1.09	1.09	1.09	
5°F (-15.0°C)		TC	22293	22323	22347	22348	22378	23636	23664	23688	23692	23720	25048	25081	25109	25114	25142	26558	26587	26615	26620	26653	
		S/T	0.49	0.57	0.65	0.65	0.74	0.51	0.60	0.69	0.69	0.78	0.55	0.64	0.73	0.73	0.83	0.58	0.68	0.77	0.77	0.88	
		PI	0.95	0.95	0.95	0.95	0.95	1.01	1.01	1.01	1.01	1.01	1.07	1.07	1.07	1.07	1.07	1.13	1.13	1.13	1.13	1.13	

Manufacturer reserves the right to change, at any time, specifications and designs without notice and without obligations.

Table 8: Cooling Performance - 24K D5CUHA + D5FUHA (Sheet 7 of 8)

824	14°F (-10.0°C)	TC	23597	23629	23654	23655	23687	25019	25049	25073	25078	25108	26514	26548	26578	26583	26612	28111	28142	28172	28177	28212
		S/T	0.49	0.57	0.65	0.65	0.74	0.52	0.61	0.69	0.69	0.78	0.55	0.64	0.73	0.73	0.83	0.58	0.68	0.77	0.77	0.88
		PI	1.07	1.07	1.07	1.07	1.07	1.13	1.13	1.13	1.13	1.14	1.20	1.20	1.20	1.20	1.20	1.20	1.27	1.27	1.27	1.27
	17°F (-8.3°C)	TC	24032	24064	24090	24091	24123	25480	25510	25535	25540	25571	27002	27037	27067	27072	27103	28629	28660	28691	28696	28732
		S/T	0.49	0.57	0.65	0.65	0.74	0.52	0.61	0.69	0.69	0.79	0.55	0.64	0.73	0.73	0.83	0.58	0.68	0.78	0.78	0.88
		PI	1.11	1.11	1.11	1.11	1.11	1.17	1.17	1.18	1.18	1.18	1.24	1.24	1.25	1.25	1.25	1.32	1.32	1.32	1.32	1.32
	23°F (-5.0°C)	TC	23480	23512	23537	23538	23570	24895	24925	24949	24954	24984	26383	26417	26446	26451	26481	27972	28003	28033	28038	28072
		S/T	0.49	0.58	0.65	0.65	0.75	0.52	0.61	0.69	0.69	0.79	0.55	0.65	0.74	0.74	0.84	0.58	0.69	0.78	0.78	0.89
		PI	1.19	1.19	1.20	1.20	1.20	1.26	1.27	1.27	1.27	1.27	1.34	1.34	1.34	1.34	1.35	1.42	1.42	1.42	1.42	1.43
	35°F (1.7°C)	TC	22378	22408	22432	22433	22463	23726	23754	23778	23782	23811	25144	25176	25204	25209	25237	26659	26688	26717	26721	26754
		S/T	0.49	0.58	0.66	0.66	0.75	0.52	0.61	0.70	0.70	0.79	0.55	0.65	0.74	0.74	0.84	0.59	0.69	0.78	0.78	0.89
		PI	1.37	1.37	1.37	1.37	1.37	1.45	1.45	1.45	1.45	1.45	1.54	1.54	1.54	1.54	1.54	1.63	1.63	1.63	1.63	1.63
	41°F (5.0°C)	TC	20605	20633	20655	20656	20684	21847	21873	21895	21899	21925	23153	23183	23208	23213	23239	24547	24574	24601	24605	24635
		S/T	0.49	0.58	0.66	0.66	0.75	0.52	0.61	0.70	0.70	0.80	0.56	0.65	0.74	0.74	0.84	0.59	0.69	0.78	0.78	0.89
		PI	1.11	1.12	1.12	1.12	1.12	1.18	1.18	1.18	1.18	1.19	1.25	1.25	1.26	1.26	1.26	1.33	1.33	1.33	1.33	1.33
	47°F (8.3°C)	TC	18833	18859	18879	18880	18905	19968	19992	20012	20016	20039	21161	21189	21212	21216	21240	22436	22461	22485	22489	22517
		S/T	0.50	0.58	0.66	0.66	0.75	0.53	0.62	0.70	0.70	0.80	0.56	0.65	0.74	0.74	0.85	0.59	0.69	0.79	0.79	0.90
		PI	0.86	0.86	0.86	0.86	0.87	0.91	0.92	0.92	0.92	0.92	0.97	0.97	0.97	0.97	0.97	1.03	1.03	1.03	1.03	1.03
	50°F (10.0°C)	TC	18945	18970	18991	18991	19017	20086	20110	20130	20134	20158	21286	21314	21338	21342	21366	22569	22593	22618	22622	22650
		S/T	0.50	0.58	0.66	0.66	0.76	0.53	0.62	0.70	0.70	0.80	0.56	0.66	0.75	0.75	0.85	0.59	0.70	0.79	0.79	0.90
		PI	0.88	0.88	0.88	0.88	0.88	0.93	0.94	0.94	0.94	0.94	0.99	0.99	0.99	0.99	0.99	1.05	1.05	1.05	1.05	1.05
	59°F (15.0°C)	TC	19279	19305	19325	19326	19352	20440	20465	20485	20489	20513	21662	21690	21714	21718	21742	22967	22992	23017	23020	23049
		S/T	0.50	0.59	0.67	0.67	0.76	0.53	0.62	0.71	0.71	0.81	0.56	0.66	0.75	0.75	0.86	0.60	0.70	0.80	0.80	0.91
		PI	0.94	0.94	0.94	0.94	0.94	1.00	1.00	1.00	1.00	1.00	1.05	1.06	1.06	1.06	1.06	1.12	1.12	1.12	1.12	1.12
68°F (20.0°C)	TC	19613	19639	19660	19661	19688	20795	20819	20840	20844	20869	22037	22066	22090	22094	22119	23365	23390	23416	23419	23448	
	S/T	0.51	0.60	0.69	0.69	0.78	0.54	0.64	0.73	0.73	0.83	0.58	0.68	0.77	0.77	0.88	0.61	0.72	0.82	0.82	0.93	
	PI	1.00	1.00	1.00	1.00	1.00	1.06	1.06	1.06	1.06	1.06	1.12	1.12	1.12	1.12	1.12	1.19	1.19	1.19	1.19	1.19	
77°F (25.0°C)	TC	19947	19973	19995	19996	20023	21149	21174	21195	21199	21224	22412	22441	22466	22471	22496	23763	23788	23814	23818	23848	
	S/T	0.52	0.61	0.69	0.69	0.79	0.55	0.65	0.74	0.74	0.84	0.59	0.69	0.78	0.78	0.89	0.62	0.73	0.83	0.83	0.94	
	PI	1.05	1.05	1.06	1.06	1.06	1.12	1.12	1.12	1.12	1.12	1.18	1.18	1.19	1.19	1.19	1.25	1.26	1.26	1.26	1.26	
82°F (27.8°C)	TC	20759	20787	20809	20810	20838	22010	22036	22058	22062	22088	23325	23355	23381	23385	23412	24730	24757	24784	24788	24819	
	S/T	0.53	0.62	0.70	0.70	0.80	0.56	0.66	0.75	0.75	0.85	0.59	0.70	0.79	0.79	0.90	0.63	0.74	0.84	0.84	0.95	
	PI	1.26	1.26	1.26	1.26	1.27	1.34	1.34	1.34	1.34	1.34	1.42	1.42	1.42	1.42	1.42	1.50	1.50	1.51	1.51	1.51	
86°F (30.0°C)	TC	22199	22229	22253	22254	22284	23537	23565	23588	23593	23621	24943	24976	25004	25008	25036	26446	26475	26504	26508	26541	
	S/T	0.53	0.63	0.71	0.71	0.81	0.57	0.66	0.75	0.75	0.86	0.60	0.70	0.80	0.80	0.91	0.64	0.75	0.85	0.85	0.97	
	PI	1.65	1.65	1.65	1.65	1.66	1.75	1.75	1.75	1.75	1.75	1.76	1.85	1.86	1.86	1.86	1.86	1.97	1.97	1.97	1.97	1.97

Manufacturer reserves the right to change, at any time, specifications and designs without notice and without obligations.

Table 8: Cooling Performance - 24K D5CUHA + D5FUHA (Sheet 8 of 8)

824	95°F (35.0°C)	TC	25440	25474	25502	25503	25537	26973	27005	27032	27037	27069	28585	28622	28654	28659	28691	30307	30340	30373	30378	30416
		S/T	0.53	0.63	0.71	0.71	0.81	0.57	0.66	0.75	0.75	0.86	0.60	0.70	0.80	0.80	0.91	0.64	0.75	0.85	0.85	0.97
		PI	2.53	2.53	2.53	2.53	2.54	2.68	2.68	2.68	2.69	2.69	2.84	2.84	2.85	2.85	2.85	3.01	3.01	3.02	3.02	3.02
	104°F (40.0°C)	TC	22720	22750	22775	22776	22806	24089	24117	24141	24146	24175	25528	25561	25590	25594	25623	27066	27095	27125	27129	27163
		S/T	0.55	0.64	0.73	0.73	0.83	0.58	0.68	0.77	0.77	0.88	0.62	0.72	0.82	0.82	0.93	0.65	0.76	0.87	0.87	0.99
		PI	2.51	2.51	2.51	2.51	2.52	2.66	2.66	2.66	2.67	2.67	2.82	2.82	2.82	2.83	2.83	2.99	2.99	2.99	2.99	3.00
	110°F (43.0°C)	TC	21087	21116	21138	21139	21168	22358	22384	22407	22411	22438	23694	23724	23751	23755	23782	25121	25149	25176	25180	25211
		S/T	0.57	0.67	0.76	0.76	0.86	0.60	0.71	0.80	0.80	0.91	0.64	0.75	0.85	0.85	0.97	0.68	0.79	0.90	0.90	1.00
		PI	2.50	2.50	2.50	2.50	2.51	2.65	2.65	2.65	2.65	2.66	2.81	2.81	2.81	2.81	2.82	2.97	2.98	2.98	2.98	2.98
	115°F (46.0°C)	TC	18794	18820	18840	18841	18866	19927	19951	19970	19974	19998	21118	21145	21169	21172	21196	22390	22414	22439	22442	22470
		S/T	0.57	0.67	0.77	0.77	0.87	0.61	0.71	0.81	0.81	0.92	0.65	0.76	0.86	0.86	0.98	0.68	0.80	0.91	0.91	1.00
		PI	2.28	2.28	2.29	2.29	2.29	2.42	2.42	2.42	2.42	2.43	2.56	2.57	2.57	2.57	2.57	2.72	2.72	2.72	2.72	2.73
	122°F (50.0°C)	TC	15737	15759	15775	15776	15797	16686	16706	16722	16725	16745	17683	17706	17725	17729	17748	18748	18768	18789	18792	18815
		S/T	0.59	0.69	0.78	0.78	0.89	0.62	0.73	0.83	0.83	0.95	0.66	0.77	0.88	0.88	1.00	0.70	0.82	0.93	0.93	1.00
		PI	1.99	2.00	2.00	2.00	2.00	2.11	2.11	2.12	2.12	2.12	2.24	2.24	2.24	2.24	2.25	2.37	2.38	2.38	2.38	2.38

Table 9: Heating Performance - 24K D5CUHA + D5FUHA (Sheet 1 of 2)

AIRFLOW (CFM)	HEATING PERFORMANCE AT INDOOR DRY BULB TEMPERATURE										
	OUTDOOR DB °F (°C)	TC: TOTAL HEATING CAPACITY (BTU/HR)					PI: POWER INPUT (KW)				
		INDOOR CONDITIONS (DB °F)					INDOOR CONDITIONS (DB °F)				
		60.8°F (16.0°C)	68°F (20.0°C)	70°F (21.1°C)	71.6°F (22.0°C)	75.2°F (24.0°C)	60.8°F (16.0°C)	68°F (20.0°C)	70°F (21.1°C)	71.6°F (22.0°C)	75.2°F (24.0°C)
629	-22°F (-30.0°C)	10366	10159	10108	10318	10226	2.40	2.42	2.42	2.43	2.44
	-13°F (-25.0°C)	13105	12843	12778	12543	12430	2.54	2.56	2.57	2.57	2.58
	-4°F (-20.0°C)	15716	15402	15325	15042	14907	2.55	2.57	2.58	2.58	2.59
	0°F (-17.8°C)	17092	16750	16667	16359	16212	2.68	2.70	2.71	2.71	2.73
	5°F (-15.0°C)	18812	18436	18344	18006	17844	2.85	2.87	2.88	2.88	2.89
	14°F (-10.0°C)	22500	22050	21940	21536	21342	1.61	1.62	1.63	1.63	1.64
	17°F (-8.3°C)	23730	23255	23139	22712	22508	1.20	1.21	1.21	1.21	1.22
	22°F (-5.6°C)	23214	22750	22636	22219	22019	1.54	1.55	1.55	1.56	1.56
	27°F (-2.8°C)	22698	22244	22133	21725	21529	1.88	1.89	1.90	1.90	1.91
	32°F (-0.0°C)	22182	21738	21629	21231	21040	2.22	2.23	2.24	2.24	2.25
	35°F (1.7°C)	21872	21435	21328	20934	20746	2.42	2.44	2.44	2.45	2.46
	37°F (2.8°C)	22473	22024	21914	21510	21316	2.41	2.43	2.43	2.44	2.45
	42°F (5.6°C)	23977	23497	23380	22949	22742	2.38	2.40	2.40	2.41	2.42
	44.6°F (7.0°C)	24578	24086	23966	23524	23312	2.37	2.39	2.39	2.40	2.40
	47°F (8.3°C)	25480	24970	24845	24387	24168	2.35	2.37	2.37	2.38	2.39
	52°F (11.1°C)	23955	23476	23359	22928	22722	2.24	2.25	2.26	2.26	2.27
	57°F (13.9°C)	22430	21982	21872	21469	21275	2.12	2.14	2.14	2.15	2.16
	59°F (15.0°C)	21820	21384	21277	20885	20697	2.08	2.09	2.10	2.10	2.11
62°F (16.7°C)	20906	20488	20385	20009	19829	2.01	2.03	2.03	2.03	2.04	
64.4°F (18.0°C)	20296	19890	19790	19426	19251	1.96	1.98	1.98	1.99	2.00	
694	-22°F (-30.0°C)	11138	10916	10861	10952	10853	2.42	2.44	2.45	2.45	2.46
	-13°F (-25.0°C)	13808	13532	13464	13313	13193	2.57	2.59	2.59	2.60	2.61
	-4°F (-20.0°C)	16560	16228	16147	15966	15822	2.58	2.60	2.60	2.61	2.62
	0°F (-17.8°C)	18009	17649	17561	17363	17207	2.71	2.73	2.74	2.74	2.75
	5°F (-15.0°C)	19822	19425	19328	19111	18939	2.88	2.90	2.91	2.91	2.92
	14°F (-10.0°C)	23708	23234	23117	22858	22652	1.63	1.64	1.64	1.65	1.65
	17°F (-8.3°C)	25003	24503	24381	24107	23890	1.21	1.22	1.22	1.22	1.23
	22°F (-5.6°C)	24459	23970	23850	23582	23370	1.55	1.56	1.57	1.57	1.58
	27°F (-2.8°C)	23916	23437	23320	23058	22851	1.90	1.91	1.91	1.92	1.93
	32°F (-0.0°C)	23372	22905	22790	22534	22331	2.24	2.26	2.26	2.27	2.27
	35°F (1.7°C)	23046	22585	22472	22219	22019	2.44	2.46	2.47	2.47	2.48
	37°F (2.8°C)	23679	23206	23090	22830	22625	2.43	2.45	2.46	2.46	2.47
	42°F (5.6°C)	25263	24758	24634	24357	24138	2.40	2.42	2.43	2.43	2.44
	44.6°F (7.0°C)	25897	25379	25252	24968	24743	2.39	2.41	2.41	2.42	2.43
	47°F (8.3°C)	26847	26310	26178	25884	25651	2.37	2.39	2.40	2.40	2.41
	52°F (11.1°C)	25240	24736	24612	24335	24116	2.26	2.28	2.28	2.29	2.29
	57°F (13.9°C)	23634	23161	23046	22786	22581	2.14	2.16	2.17	2.17	2.18
	59°F (15.0°C)	22991	22532	22419	22167	21967	2.10	2.12	2.12	2.12	2.13
62°F (16.7°C)	22028	21587	21479	21238	21046	2.03	2.05	2.05	2.05	2.06	
64.4°F (18.0°C)	21385	20957	20852	20618	20432	1.98	2.00	2.00	2.01	2.02	

Table 9: Heating Performance - 24K D5CUHA + D5FUHA (Sheet 2 of 2)

759	-22°F (-30.0°C)	11969	11729	11671	11624	11519	2.45	2.47	2.47	2.48	2.49
	-13°F (-25.0°C)	14549	14258	14187	14130	14003	2.59	2.62	2.62	2.63	2.64
	-4°F (-20.0°C)	17448	17099	17014	16946	16793	2.60	2.62	2.63	2.63	2.64
	0°F (-17.8°C)	18976	18596	18503	18429	18263	2.74	2.76	2.76	2.77	2.78
	5°F (-15.0°C)	20885	20468	20365	20284	20101	2.91	2.93	2.93	2.94	2.95
	14°F (-10.0°C)	24980	24480	24358	24261	24042	1.64	1.66	1.66	1.66	1.67
	17°F (-8.3°C)	26345	25818	25689	25586	25356	1.22	1.23	1.23	1.24	1.24
	22°F (-5.6°C)	25772	25257	25130	25030	24805	1.57	1.58	1.58	1.59	1.59
	27°F (-2.8°C)	25199	24695	24572	24473	24253	1.91	1.93	1.93	1.94	1.95
	32°F (-0.0°C)	24626	24134	24013	23917	23702	2.26	2.28	2.28	2.29	2.30
	35°F (1.7°C)	24283	23797	23678	23583	23371	2.47	2.49	2.49	2.50	2.51
	37°F (2.8°C)	24950	24451	24329	24232	24013	2.46	2.48	2.48	2.49	2.50
	42°F (5.6°C)	26619	26086	25956	25852	25620	2.43	2.45	2.45	2.46	2.47
	44.6°F (7.0°C)	27286	26741	26607	26501	26262	2.41	2.43	2.44	2.44	2.45
	47°F (8.3°C)	28288	27722	27583	27473	27226	2.40	2.42	2.42	2.43	2.44
	52°F (11.1°C)	26595	26063	25933	25829	25597	2.28	2.30	2.30	2.31	2.32
	57°F (13.9°C)	24902	24404	24282	24185	23967	2.17	2.18	2.19	2.19	2.20
	59°F (15.0°C)	24225	23741	23622	23527	23316	2.12	2.14	2.14	2.15	2.15
	62°F (16.7°C)	23210	22745	22632	22541	22338	2.05	2.07	2.07	2.08	2.08
	64.4°F (18.0°C)	22532	22082	21971	21884	21687	2.00	2.02	2.02	2.03	2.04
824	-22°F (-30.0°C)	12611	12359	12297	12248	12137	2.47	2.49	2.50	2.50	2.51
	-13°F (-25.0°C)	15330	15023	14948	14888	14754	2.62	2.64	2.65	2.65	2.66
	-4°F (-20.0°C)	18384	18017	17927	17855	17694	2.63	2.65	2.66	2.66	2.67
	0°F (-17.8°C)	19994	19594	19496	19418	19243	2.76	2.79	2.79	2.80	2.81
	5°F (-15.0°C)	22006	21566	21458	21372	21180	2.93	2.96	2.96	2.97	2.98
	14°F (-10.0°C)	26320	25794	25665	25562	25332	1.66	1.67	1.68	1.68	1.69
	17°F (-8.3°C)	27759	27203	27067	26959	26716	1.23	1.24	1.25	1.25	1.25
	22°F (-5.6°C)	27155	26612	26479	26373	26136	1.58	1.60	1.60	1.60	1.61
	27°F (-2.8°C)	26551	26020	25890	25787	25555	1.93	1.95	1.95	1.96	1.96
	32°F (-0.0°C)	25948	25429	25302	25200	24974	2.28	2.30	2.31	2.31	2.32
	35°F (1.7°C)	25586	25074	24949	24849	24625	2.49	2.51	2.52	2.52	2.53
	37°F (2.8°C)	26289	25763	25634	25532	25302	2.48	2.50	2.51	2.51	2.52
	42°F (5.6°C)	28047	27486	27349	27239	26994	2.45	2.47	2.48	2.48	2.49
	44.6°F (7.0°C)	28751	28176	28035	27923	27671	2.44	2.46	2.46	2.47	2.48
	47°F (8.3°C)	29806	29209	29063	28947	28687	2.42	2.44	2.45	2.45	2.46
	52°F (11.1°C)	28022	27462	27324	27215	26970	2.30	2.32	2.33	2.33	2.34
	57°F (13.9°C)	26239	25714	25585	25483	25253	2.19	2.21	2.21	2.21	2.22
	59°F (15.0°C)	25525	25015	24890	24790	24567	2.14	2.16	2.16	2.17	2.18
	62°F (16.7°C)	24455	23966	23846	23751	23537	2.07	2.09	2.09	2.10	2.10
	64.4°F (18.0°C)	23742	23267	23150	23058	22850	2.02	2.04	2.05	2.05	2.06

Table 10: Cooling Performance - 30K D5CUHA + D5FUHA (Sheet 1 of 8)

AIRFLOW (CFM)	OUTDOOR DB °F (°C)	ID WB(°F)	60.8°F (16.0°C)					64.4°F (18.0°C)					67°F (19.4°C)					71.6°F (22.0°C)				
			ID DB(°F)	73.4°F (23.0°C)	77.0°F (25.0°C)	80.0°F (26.7°C)	80.6°F (27.0°C)	84.2°F (29.0°C)	73.4°F (23.0°C)	77.0°F (25.0°C)	80.0°F (26.7°C)	80.6°F (27.0°C)	84.2°F (29.0°C)	73.4°F (23.0°C)	77.0°F (25.0°C)	80.0°F (26.7°C)	80.6°F (27.0°C)	84.2°F (29.0°C)	73.4°F (23.0°C)	77.0°F (25.0°C)	80.0°F (26.7°C)	80.6°F (27.0°C)
712	-22°F (-30.0°C)	TC	24383	24416	24442	24443	24476	25853	25883	25909	25914	25945	27397	27433	27463	27469	27499	29048	29080	29111	29116	29152
		S/T	0.39	0.45	0.51	0.51	0.59	0.41	0.48	0.54	0.54	0.62	0.43	0.51	0.58	0.58	0.66	0.46	0.54	0.61	0.61	0.70
		PI	1.87	1.87	1.88	1.88	1.88	1.98	1.99	1.99	1.99	1.99	2.10	2.11	2.11	2.11	2.11	2.23	2.23	2.23	2.23	2.24
	-13°F (-25.0°C)	TC	26415	26451	26479	26480	26516	28007	28040	28068	28074	28107	29680	29719	29752	29758	29791	31469	31503	31537	31542	31581
		S/T	0.39	0.46	0.52	0.52	0.59	0.41	0.48	0.55	0.55	0.62	0.44	0.51	0.58	0.58	0.66	0.46	0.54	0.62	0.62	0.70
		PI	2.03	2.03	2.03	2.03	2.03	2.15	2.15	2.15	2.15	2.16	2.28	2.28	2.28	2.28	2.29	2.41	2.42	2.42	2.42	2.42
	-4°F (-20.0°C)	TC	28447	28485	28516	28517	28556	30161	30197	30227	30233	30269	31963	32005	32041	32047	32082	33889	33926	33963	33968	34011
		S/T	0.39	0.46	0.52	0.52	0.59	0.41	0.49	0.55	0.55	0.63	0.44	0.51	0.58	0.58	0.67	0.46	0.55	0.62	0.62	0.71
		PI	2.18	2.19	2.19	2.19	2.19	2.31	2.32	2.32	2.32	2.32	2.45	2.46	2.46	2.46	2.46	2.60	2.60	2.61	2.61	2.61
	0°F (-17.8°C)	TC	29350	29390	29421	29423	29462	31119	31156	31187	31193	31230	32978	33021	33058	33064	33101	34965	35003	35041	35047	35090
		S/T	0.39	0.46	0.52	0.52	0.59	0.41	0.49	0.55	0.55	0.63	0.44	0.52	0.59	0.59	0.67	0.47	0.55	0.62	0.62	0.71
		PI	2.25	2.26	2.26	2.26	2.26	2.39	2.39	2.39	2.39	2.40	2.53	2.53	2.54	2.54	2.54	2.68	2.69	2.69	2.69	2.69
	5°F (-15.0°C)	TC	30479	30520	30553	30554	30595	32316	32354	32386	32393	32431	34247	34291	34329	34336	34374	36310	36349	36389	36395	36440
		S/T	0.39	0.46	0.52	0.52	0.60	0.42	0.49	0.56	0.56	0.63	0.44	0.52	0.59	0.59	0.67	0.47	0.55	0.62	0.62	0.71
		PI	2.34	2.34	2.34	2.34	2.35	2.48	2.48	2.49	2.49	2.49	2.63	2.63	2.63	2.63	2.64	2.79	2.79	2.79	2.79	2.80
	14°F (-10.0°C)	TC	32491	32534	32569	32571	32615	34449	34489	34524	34530	34571	36507	36554	36595	36602	36643	38706	38749	38791	38797	38845
		S/T	0.39	0.46	0.53	0.53	0.60	0.42	0.49	0.56	0.56	0.63	0.44	0.52	0.59	0.59	0.67	0.47	0.55	0.63	0.63	0.71
		PI	1.93	1.93	1.93	1.93	1.94	2.05	2.05	2.05	2.05	2.05	2.17	2.17	2.17	2.17	2.18	2.30	2.30	2.30	2.30	2.31
	17°F (-8.3°C)	TC	33161	33206	33242	33243	33288	35160	35201	35236	35243	35285	37260	37309	37350	37357	37399	39505	39548	39591	39597	39647
		S/T	0.40	0.46	0.53	0.53	0.60	0.42	0.49	0.56	0.56	0.64	0.44	0.52	0.59	0.59	0.67	0.47	0.55	0.63	0.63	0.72
		PI	1.79	1.80	1.80	1.80	1.80	1.90	1.90	1.91	1.91	1.91	2.02	2.02	2.02	2.02	2.02	2.14	2.14	2.14	2.14	2.14
	23°F (-5.0°C)	TC	33474	33519	33555	33557	33602	35491	35534	35569	35576	35618	37612	37661	37703	37710	37752	39878	39921	39965	39971	40021
		S/T	0.40	0.47	0.53	0.53	0.60	0.42	0.49	0.56	0.56	0.64	0.45	0.52	0.59	0.59	0.68	0.47	0.55	0.63	0.63	0.72
		PI	1.84	1.84	1.84	1.84	1.84	1.95	1.95	1.95	1.95	1.95	2.06	2.07	2.07	2.07	2.07	2.19	2.19	2.19	2.19	2.20
35°F (1.7°C)	TC	34100	34146	34183	34184	34230	36155	36198	36234	36241	36284	38315	38365	38408	38415	38458	40624	40668	40712	40719	40769	
	S/T	0.40	0.47	0.53	0.53	0.61	0.42	0.50	0.56	0.56	0.64	0.45	0.53	0.60	0.60	0.68	0.48	0.56	0.63	0.63	0.72	
	PI	1.92	1.93	1.93	1.93	1.93	2.04	2.04	2.05	2.05	2.05	2.16	2.17	2.17	2.17	2.17	2.29	2.30	2.30	2.30	2.30	
41°F (5.0°C)	TC	30781	30822	30855	30857	30898	32636	32674	32707	32713	32752	34585	34630	34669	34675	34714	36669	36709	36749	36755	36801	
	S/T	0.40	0.47	0.53	0.53	0.61	0.42	0.50	0.57	0.57	0.64	0.45	0.53	0.60	0.60	0.68	0.48	0.56	0.64	0.64	0.72	
	PI	1.53	1.53	1.53	1.53	1.54	1.62	1.62	1.63	1.63	1.63	1.72	1.72	1.72	1.72	1.73	1.82	1.82	1.83	1.83	1.83	

Manufacturer reserves the right to change, at any time, specifications and designs without notice and without obligations.

Table 10: Cooling Performance - 30K D5CUHA + D5FUHA (Sheet 2 of 8)

712	47°F (8.3°C)	TC	27461	27498	27528	27529	27566	29116	29150	29179	29185	29220	30856	30896	30930	30936	30970	32715	32750	32786	32791	32832
		S/T	0.40	0.47	0.53	0.53	0.61	0.43	0.50	0.57	0.57	0.65	0.45	0.53	0.60	0.60	0.69	0.48	0.56	0.64	0.64	0.73
		PI	1.14	1.14	1.14	1.14	1.14	1.20	1.21	1.21	1.21	1.21	1.28	1.28	1.28	1.28	1.28	1.35	1.35	1.36	1.36	1.36
	50°F (10.0°C)	TC	27210	27247	27276	27278	27314	28850	28884	28913	28919	28953	30574	30614	30648	30653	30688	32416	32451	32486	32492	32532
		S/T	0.40	0.47	0.54	0.54	0.61	0.43	0.50	0.57	0.57	0.65	0.45	0.53	0.60	0.60	0.69	0.48	0.56	0.64	0.64	0.73
		PI	1.17	1.17	1.18	1.18	1.18	1.24	1.24	1.25	1.25	1.25	1.32	1.32	1.32	1.32	1.32	1.40	1.40	1.40	1.40	1.40
	59°F (15.0°C)	TC	26458	26494	26522	26523	26559	28053	28086	28114	28119	28153	29729	29767	29800	29806	29839	31520	31554	31588	31593	31633
		S/T	0.41	0.48	0.54	0.54	0.62	0.43	0.50	0.57	0.57	0.65	0.46	0.53	0.61	0.61	0.69	0.48	0.57	0.64	0.64	0.73
		PI	1.28	1.29	1.29	1.29	1.29	1.36	1.36	1.36	1.36	1.37	1.44	1.44	1.45	1.45	1.45	1.53	1.53	1.53	1.53	1.53
	68°F (20.0°C)	TC	25706	25741	25768	25769	25804	27255	27287	27314	27320	27352	28883	28921	28953	28959	28991	30624	30657	30690	30695	30733
		S/T	0.42	0.49	0.55	0.55	0.63	0.44	0.52	0.59	0.59	0.67	0.47	0.55	0.62	0.62	0.71	0.50	0.58	0.66	0.66	0.75
		PI	1.39	1.40	1.40	1.40	1.40	1.48	1.48	1.48	1.48	1.48	1.57	1.57	1.57	1.57	1.57	1.66	1.66	1.66	1.67	1.67
	77°F (25.0°C)	TC	24954	24987	25014	25015	25049	26458	26489	26515	26520	26552	28038	28075	28106	28111	28143	29728	29760	29792	29797	29834
		S/T	0.42	0.49	0.56	0.56	0.64	0.45	0.52	0.60	0.60	0.68	0.47	0.56	0.63	0.63	0.72	0.50	0.59	0.67	0.67	0.76
		PI	1.51	1.51	1.51	1.51	1.51	1.60	1.60	1.60	1.60	1.60	1.69	1.69	1.70	1.70	1.70	1.79	1.80	1.80	1.80	1.80
	82°F (27.8°C)	TC	25218	25252	25279	25280	25314	26737	26769	26795	26801	26833	28335	28372	28403	28408	28440	30042	30075	30107	30112	30150
		S/T	0.43	0.50	0.57	0.57	0.65	0.45	0.53	0.60	0.60	0.69	0.48	0.56	0.64	0.64	0.73	0.51	0.60	0.68	0.68	0.77
		PI	1.71	1.71	1.71	1.71	1.71	1.81	1.81	1.81	1.81	1.81	1.92	1.92	1.92	1.92	1.92	2.03	2.03	2.04	2.04	2.04
	86°F (30.0°C)	TC	26289	26324	26353	26354	26389	27873	27906	27934	27939	27972	29538	29577	29610	29615	29648	31318	31352	31386	31391	31430
		S/T	0.43	0.51	0.58	0.58	0.66	0.46	0.54	0.61	0.61	0.70	0.49	0.57	0.65	0.65	0.74	0.51	0.60	0.69	0.69	0.78
		PI	2.04	2.04	2.04	2.04	2.05	2.16	2.16	2.17	2.17	2.17	2.29	2.29	2.30	2.30	2.30	2.43	2.43	2.43	2.44	2.44
	95°F (35.0°C)	TC	28699	28738	28769	28770	28809	30429	30465	30495	30501	30537	32247	32289	32325	32331	32367	34190	34227	34264	34269	34312
		S/T	0.43	0.51	0.58	0.58	0.66	0.46	0.54	0.61	0.61	0.70	0.49	0.57	0.65	0.65	0.74	0.51	0.60	0.69	0.69	0.78
		PI	2.79	2.79	2.80	2.80	2.80	2.96	2.96	2.97	2.97	2.97	3.14	3.14	3.14	3.14	3.15	3.32	3.33	3.33	3.33	3.34
104°F (40.0°C)	TC	25483	25517	25545	25546	25580	27019	27051	27077	27083	27115	28633	28670	28702	28707	28739	30358	30391	30424	30429	30467	
	S/T	0.44	0.52	0.59	0.59	0.67	0.47	0.55	0.63	0.63	0.71	0.50	0.58	0.66	0.66	0.76	0.53	0.62	0.70	0.70	0.80	
	PI	2.71	2.71	2.71	2.71	2.72	2.87	2.87	2.88	2.88	2.88	3.04	3.05	3.05	3.05	3.05	3.23	3.23	3.23	3.23	3.24	
110°F (43.0°C)	TC	23553	23585	23610	23611	23643	24973	25002	25027	25032	25061	26465	26499	26528	26533	26563	28059	28090	28120	28124	28160	
	S/T	0.46	0.54	0.61	0.61	0.70	0.49	0.57	0.65	0.65	0.74	0.52	0.61	0.69	0.69	0.78	0.55	0.64	0.73	0.73	0.83	
	PI	2.66	2.66	2.66	2.66	2.67	2.82	2.82	2.82	2.82	2.83	2.99	2.99	2.99	2.99	3.00	3.17	3.17	3.17	3.17	3.18	
115°F (46.0°C)	TC	19818	19844	19866	19867	19894	21012	21037	21058	21062	21087	22268	22296	22321	22325	22350	23609	23635	23661	23664	23694	
	S/T	0.46	0.55	0.62	0.62	0.71	0.49	0.58	0.66	0.66	0.75	0.52	0.61	0.70	0.70	0.79	0.55	0.65	0.74	0.74	0.84	
	PI	2.32	2.32	2.32	2.32	2.33	2.46	2.46	2.46	2.46	2.47	2.60	2.61	2.61	2.61	2.61	2.76	2.76	2.77	2.77	2.77	
122°F (50.0°C)	TC	14837	14857	14873	14874	14894	15732	15750	15766	15769	15788	16672	16693	16712	16715	16734	17676	17695	17714	17717	17739	
	S/T	0.48	0.56	0.63	0.63	0.72	0.50	0.59	0.67	0.67	0.77	0.53	0.63	0.71	0.71	0.81	0.57	0.66	0.75	0.75	0.86	
	PI	1.86	1.87	1.87	1.87	1.87	1.98	1.98	1.98	1.98	1.98	2.09	2.10	2.10	2.10	2.10	2.22	2.22	2.23	2.23	2.23	

Manufacturer reserves the right to change, at any time, specifications and designs without notice and without obligations.

Table 10: Cooling Performance - 30K D5CUHA + D5FUHA (Sheet 3 of 8)

806	-22°F (-30.0°C)	TC	26165	26200	26228	26230	26265	27742	27775	27802	27808	27841	29399	29437	29470	29476	29509	31171	31204	31238	31243	31282
		S/T	0.41	0.49	0.55	0.55	0.63	0.44	0.51	0.58	0.58	0.67	0.46	0.55	0.62	0.62	0.71	0.49	0.58	0.66	0.66	0.75
		PI	2.01	2.01	2.01	2.01	2.02	2.13	2.13	2.13	2.13	2.14	2.26	2.26	2.26	2.26	2.26	2.39	2.39	2.40	2.40	2.40
	-13°F (-25.0°C)	TC	28345	28383	28414	28415	28454	30054	30089	30119	30125	30161	31849	31891	31926	31932	31968	33768	33805	33842	33847	33889
		S/T	0.42	0.49	0.55	0.56	0.63	0.44	0.52	0.59	0.59	0.67	0.47	0.55	0.62	0.62	0.71	0.50	0.58	0.66	0.66	0.75
		PI	2.18	2.18	2.18	2.18	2.18	2.31	2.31	2.31	2.31	2.31	2.44	2.45	2.45	2.45	2.45	2.59	2.59	2.60	2.60	2.60
	-4°F (-20.0°C)	TC	30526	30567	30600	30601	30642	32365	32404	32436	32442	32481	34299	34344	34382	34388	34427	36366	36405	36445	36450	36496
		S/T	0.42	0.49	0.56	0.56	0.64	0.44	0.52	0.59	0.59	0.67	0.47	0.55	0.63	0.63	0.71	0.50	0.58	0.66	0.66	0.76
		PI	2.34	2.35	2.35	2.35	2.35	2.48	2.49	2.49	2.49	2.49	2.63	2.64	2.64	2.64	2.64	2.79	2.79	2.80	2.80	2.80
	0°F (-17.8°C)	TC	31495	31537	31571	31573	31615	33393	33432	33465	33472	33512	35388	35434	35473	35480	35520	37520	37561	37602	37608	37654
		S/T	0.42	0.49	0.56	0.56	0.64	0.44	0.52	0.59	0.59	0.68	0.47	0.55	0.63	0.63	0.72	0.50	0.59	0.67	0.67	0.76
		PI	2.42	2.42	2.42	2.42	2.43	2.56	2.57	2.57	2.57	2.57	2.72	2.72	2.72	2.72	2.73	2.88	2.88	2.89	2.89	2.89
	5°F (-15.0°C)	TC	32706	32750	32785	32787	32831	34677	34718	34753	34759	34801	36749	36797	36838	36845	36886	38963	39006	39048	39054	39103
		S/T	0.42	0.50	0.56	0.56	0.64	0.45	0.52	0.60	0.60	0.68	0.47	0.56	0.63	0.63	0.72	0.50	0.59	0.67	0.67	0.76
		PI	2.51	2.51	2.52	2.52	2.52	2.66	2.66	2.67	2.67	2.67	2.82	2.82	2.83	2.83	2.83	2.99	2.99	3.00	3.00	3.00
	14°F (-10.0°C)	TC	34865	34912	34949	34951	34998	36966	37010	37046	37054	37098	39174	39225	39269	39276	39320	41535	41580	41625	41632	41683
		S/T	0.42	0.50	0.56	0.56	0.64	0.45	0.53	0.60	0.60	0.68	0.47	0.56	0.63	0.63	0.72	0.50	0.59	0.67	0.67	0.77
		PI	2.07	2.07	2.08	2.08	2.08	2.20	2.20	2.20	2.20	2.20	2.33	2.33	2.33	2.33	2.34	2.47	2.47	2.47	2.47	2.48
	17°F (-8.3°C)	TC	35584	35632	35671	35672	35720	37729	37773	37811	37818	37863	39983	40035	40079	40087	40132	42392	42438	42484	42491	42544
		S/T	0.42	0.50	0.57	0.57	0.64	0.45	0.53	0.60	0.60	0.68	0.48	0.56	0.64	0.64	0.72	0.50	0.59	0.67	0.67	0.77
		PI	1.92	1.93	1.93	1.93	1.93	2.04	2.04	2.04	2.05	2.05	2.16	2.17	2.17	2.17	2.17	2.29	2.30	2.30	2.30	2.30
	23°F (-5.0°C)	TC	35920	35968	36007	36009	36057	38085	38130	38168	38175	38221	40360	40413	40458	40465	40510	42792	42839	42885	42892	42945
		S/T	0.43	0.50	0.57	0.57	0.65	0.45	0.53	0.60	0.60	0.69	0.48	0.56	0.64	0.64	0.73	0.51	0.60	0.68	0.68	0.77
		PI	1.97	1.97	1.98	1.98	1.98	2.09	2.09	2.09	2.10	2.10	2.22	2.22	2.22	2.22	2.22	2.35	2.35	2.35	2.35	2.36
35°F (1.7°C)	TC	36592	36641	36681	36682	36732	38797	38843	38881	38889	38935	41115	41168	41214	41222	41268	43592	43640	43687	43694	43748	
	S/T	0.43	0.50	0.57	0.57	0.65	0.45	0.53	0.61	0.61	0.69	0.48	0.56	0.64	0.64	0.73	0.51	0.60	0.68	0.68	0.78	
	PI	2.07	2.07	2.07	2.07	2.07	2.19	2.19	2.19	2.20	2.20	2.32	2.32	2.33	2.33	2.33	2.46	2.46	2.47	2.47	2.47	
41°F (5.0°C)	TC	33030	33074	33110	33111	33156	35020	35062	35096	35103	35145	37113	37161	37202	37209	37251	39349	39391	39434	39440	39490	
	S/T	0.43	0.50	0.57	0.57	0.65	0.45	0.53	0.61	0.61	0.69	0.48	0.57	0.64	0.64	0.73	0.51	0.60	0.68	0.68	0.78	
	PI	1.64	1.64	1.65	1.65	1.65	1.74	1.74	1.74	1.75	1.75	1.84	1.85	1.85	1.85	1.85	1.96	1.96	1.96	1.96	1.96	
47°F (8.3°C)	TC	29468	29507	29539	29540	29580	31244	31281	31311	31318	31355	33110	33153	33190	33196	33233	35105	35143	35182	35187	35231	
	S/T	0.43	0.51	0.57	0.57	0.65	0.46	0.54	0.61	0.61	0.69	0.48	0.57	0.64	0.64	0.74	0.51	0.60	0.68	0.68	0.78	
	PI	1.22	1.22	1.22	1.22	1.22	1.29	1.29	1.29	1.29	1.30	1.37	1.37	1.37	1.37	1.37	1.45	1.45	1.45	1.45	1.46	
50°F (10.0°C)	TC	29199	29238	29269	29271	29310	30958	30995	31026	31032	31069	32808	32850	32887	32893	32930	34785	34822	34860	34866	34909	
	S/T	0.43	0.51	0.58	0.58	0.66	0.46	0.54	0.61	0.61	0.70	0.49	0.57	0.65	0.65	0.74	0.52	0.60	0.69	0.69	0.78	
	PI	1.26	1.26	1.26	1.26	1.26	1.33	1.34	1.34	1.34	1.34	1.41	1.42	1.42	1.42	1.42	1.50	1.50	1.50	1.50	1.50	

Manufacturer reserves the right to change, at any time, specifications and designs without notice and without obligations.

Table 10: Cooling Performance - 30K D5CUHA + D5FUHA (Sheet 4 of 8)

806	59°F (15.0°C)	TC	28391	28430	28460	28462	28500	30102	30138	30168	30174	30210	31901	31942	31978	31984	32020	33823	33860	33897	33902	33944	
		S/T	0.43	0.51	0.58	0.58	0.66	0.46	0.54	0.61	0.61	0.70	0.49	0.57	0.65	0.65	0.74	0.52	0.61	0.69	0.69	0.69	0.79
		PI	1.38	1.38	1.38	1.38	1.38	1.46	1.46	1.46	1.46	1.47	1.55	1.55	1.55	1.55	1.55	1.64	1.64	1.64	1.64	1.64	1.65
	68°F (20.0°C)	TC	27584	27621	27651	27652	27690	29247	29281	29310	29316	29351	30994	31034	31069	31075	31109	32861	32897	32933	32938	32979	
		S/T	0.45	0.52	0.60	0.60	0.68	0.47	0.56	0.63	0.63	0.72	0.50	0.59	0.67	0.67	0.76	0.53	0.62	0.71	0.71	0.81	
		PI	1.50	1.50	1.50	1.50	1.50	1.59	1.59	1.59	1.59	1.59	1.68	1.68	1.69	1.69	1.69	1.78	1.78	1.79	1.79	1.79	
	77°F (25.0°C)	TC	26777	26813	26842	26843	26879	28391	28425	28453	28458	28492	30087	30126	30160	30165	30199	31900	31935	31969	31974	32014	
		S/T	0.45	0.53	0.60	0.60	0.69	0.48	0.56	0.64	0.64	0.73	0.51	0.60	0.68	0.68	0.77	0.54	0.63	0.72	0.72	0.82	
		PI	1.62	1.62	1.62	1.62	1.62	1.71	1.72	1.72	1.72	1.72	1.82	1.82	1.82	1.82	1.82	1.92	1.93	1.93	1.93	1.93	
	82°F (27.8°C)	TC	27060	27097	27126	27127	27164	28691	28725	28753	28759	28793	30405	30445	30479	30484	30518	32237	32272	32307	32312	32353	
		S/T	0.46	0.54	0.61	0.61	0.70	0.49	0.57	0.65	0.65	0.74	0.51	0.60	0.69	0.69	0.78	0.55	0.64	0.73	0.73	0.83	
		PI	1.83	1.83	1.83	1.83	1.84	1.94	1.94	1.94	1.94	1.95	2.06	2.06	2.06	2.06	2.06	2.18	2.18	2.18	2.19	2.19	
	86°F (30.0°C)	TC	28210	28248	28278	28279	28318	29910	29945	29975	29981	30016	31697	31738	31773	31779	31815	33607	33643	33680	33685	33727	
		S/T	0.46	0.54	0.62	0.62	0.70	0.49	0.58	0.66	0.66	0.75	0.52	0.61	0.69	0.69	0.79	0.55	0.65	0.74	0.74	0.84	
		PI	2.19	2.19	2.19	2.19	2.20	2.32	2.32	2.33	2.33	2.33	2.46	2.46	2.46	2.47	2.47	2.61	2.61	2.61	2.61	2.62	
	95°F (35.0°C)	TC	30796	30838	30871	30872	30914	32652	32691	32723	32730	32768	34603	34648	34687	34693	34732	36688	36728	36768	36773	36819	
		S/T	0.46	0.54	0.62	0.62	0.70	0.49	0.58	0.66	0.66	0.75	0.52	0.61	0.69	0.69	0.79	0.55	0.65	0.74	0.74	0.84	
		PI	2.99	3.00	3.00	3.00	3.01	3.18	3.18	3.18	3.18	3.19	3.36	3.37	3.37	3.37	3.38	3.57	3.57	3.58	3.58	3.58	
	104°F (40.0°C)	TC	27345	27382	27411	27412	27449	28993	29027	29056	29062	29096	30725	30765	30799	30805	30839	32576	32612	32647	32652	32693	
		S/T	0.48	0.56	0.63	0.63	0.72	0.50	0.59	0.67	0.67	0.77	0.53	0.63	0.71	0.71	0.81	0.57	0.66	0.75	0.75	0.86	
		PI	2.91	2.91	2.91	2.91	2.92	3.08	3.08	3.09	3.09	3.09	3.26	3.27	3.27	3.27	3.28	3.46	3.47	3.47	3.47	3.47	
110°F (43.0°C)	TC	25274	25308	25335	25337	25371	26797	26829	26856	26861	26893	28398	28435	28467	28472	28504	30109	30142	30175	30180	30217		
	S/T	0.49	0.58	0.66	0.66	0.75	0.52	0.61	0.70	0.70	0.79	0.55	0.65	0.74	0.74	0.84	0.59	0.69	0.78	0.78	0.89		
	PI	2.85	2.86	2.86	2.86	2.86	3.02	3.03	3.03	3.03	3.03	3.20	3.21	3.21	3.21	3.22	3.40	3.40	3.41	3.41	3.41		
115°F (46.0°C)	TC	21266	21295	21317	21318	21347	22548	22574	22597	22601	22628	23895	23926	23952	23957	23984	25334	25362	25389	25393	25425		
	S/T	0.50	0.58	0.66	0.66	0.76	0.53	0.62	0.70	0.70	0.80	0.56	0.66	0.75	0.75	0.85	0.59	0.70	0.79	0.79	0.90		
	PI	2.49	2.49	2.49	2.49	2.50	2.64	2.64	2.64	2.64	2.65	2.79	2.80	2.80	2.80	2.80	2.96	2.97	2.97	2.97	2.97		
122°F (50.0°C)	TC	15922	15943	15960	15961	15982	16881	16901	16918	16921	16941	17890	17913	17933	17936	17956	18968	18988	19009	19012	19036		
	S/T	0.51	0.60	0.68	0.68	0.78	0.54	0.63	0.72	0.72	0.82	0.57	0.67	0.76	0.76	0.87	0.61	0.71	0.81	0.81	0.92		
	PI	2.00	2.00	2.00	2.01	2.01	2.12	2.12	2.13	2.13	2.13	2.25	2.25	2.25	2.25	2.26	2.38	2.39	2.39	2.39	2.39		
894	-22°F (-30.0°C)	TC	28077	28115	28145	28146	28184	29769	29804	29834	29839	29875	31547	31588	31624	31629	31665	33448	33485	33521	33526	33568	
		S/T	0.44	0.52	0.59	0.59	0.67	0.47	0.55	0.63	0.63	0.71	0.50	0.58	0.66	0.66	0.76	0.53	0.62	0.70	0.70	0.80	
		PI	2.15	2.16	2.16	2.16	2.16	2.28	2.29	2.29	2.29	2.29	2.42	2.42	2.43	2.43	2.43	2.57	2.57	2.57	2.57	2.58	
	-13°F (-25.0°C)	TC	30417	30458	30490	30492	30533	32250	32288	32320	32326	32364	34176	34221	34259	34265	34304	36236	36275	36314	36320	36365	
		S/T	0.45	0.52	0.60	0.60	0.68	0.47	0.56	0.63	0.63	0.72	0.50	0.59	0.67	0.67	0.76	0.53	0.62	0.71	0.71	0.81	
		PI	2.33	2.34	2.34	2.34	2.34	2.47	2.48	2.48	2.48	2.48	2.62	2.63	2.63	2.63	2.63	2.78	2.78	2.79	2.79	2.79	

Table 10: Cooling Performance - 30K D5CUHA + D5FUHA (Sheet 5 of 8)

Table with 22 columns (TC, S/T, PI) and 22 rows for each temperature point. Temperature points include -4°F (-20.0°C), 0°F (-17.8°C), 5°F (-15.0°C), 14°F (-10.0°C), 17°F (-8.3°C), 23°F (-5.0°C), 35°F (1.7°C), 41°F (5.0°C), 47°F (8.3°C), 50°F (10.0°C), 59°F (15.0°C), and 68°F (20.0°C).

Manufacturer reserves the right to change, at any time, specifications and designs without notice and without obligations.

D5CUHA: Product Data

Table 10: Cooling Performance - 30K D5CUHA + D5FUHA (Sheet 6 of 8)

894	77°F (25.0°C)	TC	28734	28772	28803	28805	28844	30465	30502	30532	30538	30574	32286	32328	32364	32370	32406	34231	34268	34305	34311	34353	
		S/T	0.49	0.57	0.65	0.65	0.74	0.51	0.60	0.69	0.69	0.78	0.55	0.64	0.73	0.73	0.83	0.58	0.68	0.77	0.77	0.88	
		PI	1.73	1.74	1.74	1.74	1.74	1.84	1.84	1.84	1.84	1.84	1.95	1.95	1.95	1.95	1.96	2.07	2.07	2.07	2.07	2.07	
	82°F (27.8°C)	TC	29038	29077	29108	29109	29149	30788	30824	30854	30861	30897	32627	32669	32706	32712	32748	34593	34630	34668	34673	34717	
		S/T	0.49	0.58	0.66	0.66	0.75	0.52	0.61	0.69	0.69	0.79	0.55	0.65	0.74	0.74	0.84	0.59	0.69	0.78	0.78	0.89	
		PI	1.96	1.97	1.97	1.97	1.97	2.08	2.08	2.09	2.09	2.09	2.21	2.21	2.21	2.21	2.21	2.34	2.34	2.34	2.34	2.35	
	86°F (30.0°C)	TC	30271	30312	30344	30346	30387	32095	32133	32165	32172	32210	34013	34057	34095	34101	34139	36062	36101	36141	36146	36191	
		S/T	0.50	0.58	0.66	0.66	0.76	0.53	0.62	0.70	0.70	0.80	0.56	0.66	0.75	0.75	0.85	0.59	0.70	0.79	0.79	0.90	
		PI	2.35	2.35	2.35	2.35	2.36	2.49	2.49	2.50	2.50	2.50	2.64	2.64	2.64	2.65	2.65	2.80	2.80	2.80	2.80	2.81	
	95°F (35.0°C)	TC	33047	33091	33127	33128	33173	35038	35080	35114	35121	35163	37131	37180	37221	37228	37270	39369	39411	39454	39460	39510	
		S/T	0.50	0.58	0.66	0.66	0.76	0.53	0.62	0.70	0.70	0.80	0.56	0.66	0.75	0.75	0.85	0.59	0.70	0.79	0.79	0.90	
		PI	3.21	3.22	3.22	3.22	3.23	3.41	3.41	3.41	3.42	3.42	3.61	3.62	3.62	3.62	3.62	3.83	3.83	3.84	3.84	3.84	
	104°F (40.0°C)	TC	29343	29383	29414	29416	29455	31111	31148	31179	31185	31222	32970	33013	33050	33056	33093	34957	34995	35033	35038	35082	
		S/T	0.51	0.60	0.68	0.68	0.78	0.54	0.63	0.72	0.72	0.82	0.57	0.67	0.76	0.76	0.87	0.61	0.71	0.81	0.81	0.92	
		PI	3.12	3.12	3.13	3.13	3.13	3.31	3.31	3.31	3.31	3.32	3.50	3.51	3.51	3.51	3.52	3.71	3.72	3.72	3.72	3.73	
	110°F (43.0°C)	TC	27121	27157	27187	27188	27225	28755	28789	28818	28824	28858	30473	30513	30547	30553	30587	32309	32345	32380	32385	32425	
		S/T	0.53	0.62	0.70	0.71	0.80	0.56	0.66	0.75	0.75	0.85	0.59	0.70	0.79	0.79	0.90	0.63	0.74	0.84	0.84	0.96	
		PI	3.06	3.06	3.07	3.07	3.07	3.24	3.25	3.25	3.25	3.26	3.44	3.44	3.45	3.45	3.45	3.65	3.65	3.65	3.65	3.66	
	115°F (46.0°C)	TC	22820	22851	22875	22876	22907	24195	24224	24248	24252	24281	25641	25674	25703	25707	25736	27186	27215	27245	27249	27283	
		S/T	0.53	0.63	0.71	0.71	0.81	0.57	0.67	0.76	0.76	0.86	0.60	0.71	0.80	0.80	0.91	0.64	0.75	0.85	0.85	0.97	
		PI	2.67	2.67	2.68	2.68	2.68	2.83	2.83	2.84	2.84	2.84	3.00	3.00	3.01	3.01	3.01	3.18	3.18	3.19	3.19	3.19	
	122°F (50.0°C)	TC	17085	17108	17126	17127	17150	18115	18136	18154	18158	18179	19197	19222	19243	19247	19268	20354	20376	20398	20401	20426	
		S/T	0.55	0.64	0.73	0.73	0.83	0.58	0.68	0.77	0.77	0.88	0.62	0.72	0.82	0.82	0.93	0.65	0.76	0.87	0.87	0.99	
		PI	2.15	2.15	2.15	2.15	2.15	2.28	2.28	2.28	2.28	2.28	2.41	2.41	2.42	2.42	2.42	2.56	2.56	2.56	2.56	2.57	
	988	-22°F (-30.0°C)	TC	30128	30169	30201	30203	30244	31944	31982	32014	32020	32058	33853	33897	33934	33941	33979	35892	35931	35970	35976	36021
			S/T	0.48	0.56	0.63	0.63	0.72	0.50	0.59	0.67	0.67	0.77	0.53	0.63	0.71	0.71	0.81	0.57	0.67	0.76	0.76	0.86
			PI	2.31	2.32	2.32	2.32	2.32	2.45	2.45	2.46	2.46	2.46	2.60	2.60	2.60	2.60	2.61	2.75	2.76	2.76	2.76	2.76
-13°F (-25.0°C)		TC	32639	32683	32718	32720	32764	34606	34647	34681	34688	34729	36674	36721	36762	36769	36810	38883	38926	38968	38974	39023	
		S/T	0.48	0.56	0.64	0.64	0.73	0.51	0.60	0.68	0.68	0.77	0.54	0.63	0.72	0.72	0.82	0.57	0.67	0.76	0.76	0.87	
		PI	2.50	2.51	2.51	2.51	2.51	2.66	2.66	2.66	2.66	2.67	2.81	2.82	2.82	2.82	2.82	2.98	2.99	2.99	2.99	2.99	
-4°F (-20.0°C)		TC	35150	35197	35235	35237	35284	37268	37312	37349	37357	37401	39495	39546	39590	39597	39642	41874	41920	41966	41972	42024	
		S/T	0.48	0.57	0.64	0.64	0.73	0.51	0.60	0.68	0.68	0.78	0.54	0.64	0.72	0.72	0.82	0.57	0.67	0.77	0.77	0.87	
		PI	2.70	2.70	2.70	2.70	2.71	2.86	2.86	2.87	2.87	2.87	3.03	3.03	3.04	3.04	3.04	3.21	3.22	3.22	3.22	3.22	
0°F (-17.8°C)		TC	36266	36315	36354	36355	36404	38451	38497	38535	38542	38588	40749	40801	40847	40855	40900	43204	43251	43298	43304	43358	
		S/T	0.48	0.57	0.64	0.64	0.73	0.51	0.60	0.68	0.68	0.78	0.54	0.64	0.72	0.72	0.83	0.58	0.68	0.77	0.77	0.88	
		PI	2.78	2.79	2.79	2.79	2.79	2.95	2.95	2.96	2.96	2.96	3.13	3.13	3.13	3.14	3.14	3.32	3.32	3.32	3.32	3.33	

Manufacturer reserves the right to change, at any time, specifications and designs without notice and without obligations.

Table 10: Cooling Performance - 30K D5CUHA + D5FUHA (Sheet 7 of 8)

898 Manufacturer reserves the right to change, at any time, specifications and designs without notice and without obligations.	5°F (-15.0°C)	TC	37661	37711	37752	37754	37804	39930	39977	40017	40025	40072	42316	42371	42418	42426	42473	44865	44914	44963	44970	45026
		S/T	0.49	0.57	0.65	0.65	0.74	0.51	0.60	0.69	0.69	0.78	0.55	0.64	0.73	0.73	0.83	0.58	0.68	0.77	0.77	0.88
		PI	2.89	2.89	2.90	2.90	2.90	3.06	3.07	3.07	3.07	3.08	3.25	3.25	3.26	3.26	3.26	3.44	3.45	3.45	3.45	3.46
	14°F (-10.0°C)	TC	40146	40200	40243	40245	40300	42566	42616	42658	42666	42717	45109	45167	45218	45226	45276	47826	47878	47931	47938	47998
		S/T	0.49	0.57	0.65	0.65	0.74	0.52	0.61	0.69	0.69	0.78	0.55	0.64	0.73	0.73	0.83	0.58	0.68	0.77	0.77	0.88
		PI	2.38	2.39	2.39	2.39	2.39	2.53	2.53	2.53	2.53	2.54	2.68	2.68	2.69	2.69	2.69	2.84	2.84	2.85	2.85	2.85
	17°F (-8.3°C)	TC	40975	41030	41074	41076	41131	43444	43495	43538	43547	43599	46040	46099	46151	46159	46211	48814	48867	48920	48927	48988
		S/T	0.49	0.57	0.65	0.65	0.74	0.52	0.61	0.69	0.69	0.79	0.55	0.64	0.73	0.73	0.83	0.58	0.68	0.78	0.78	0.88
		PI	2.22	2.22	2.22	2.22	2.22	2.35	2.35	2.35	2.36	2.36	2.49	2.49	2.50	2.50	2.50	2.64	2.64	2.65	2.65	2.65
	23°F (-5.0°C)	TC	41361	41417	41462	41464	41519	43854	43906	43949	43958	44010	46474	46534	46586	46595	46647	49274	49328	49381	49389	49451
		S/T	0.49	0.58	0.65	0.65	0.75	0.52	0.61	0.69	0.69	0.79	0.55	0.65	0.74	0.74	0.84	0.58	0.69	0.78	0.78	0.89
		PI	2.27	2.27	2.28	2.28	2.28	2.41	2.41	2.41	2.41	2.42	2.55	2.55	2.56	2.56	2.56	2.70	2.71	2.71	2.71	2.71
	35°F (1.7°C)	TC	42135	42192	42237	42239	42296	44674	44727	44771	44780	44833	47343	47405	47458	47466	47519	50196	50250	50305	50313	50375
		S/T	0.49	0.58	0.66	0.66	0.75	0.52	0.61	0.70	0.70	0.79	0.55	0.65	0.74	0.74	0.84	0.59	0.69	0.78	0.78	0.89
		PI	2.38	2.38	2.38	2.38	2.39	2.52	2.52	2.53	2.53	2.53	2.67	2.68	2.68	2.68	2.68	2.83	2.84	2.84	2.84	2.84
	41°F (5.0°C)	TC	38033	38084	38125	38127	38178	40325	40373	40413	40421	40469	42734	42790	42838	42846	42893	45309	45359	45408	45415	45472
		S/T	0.49	0.58	0.66	0.66	0.75	0.52	0.61	0.70	0.70	0.80	0.56	0.65	0.74	0.74	0.84	0.59	0.69	0.78	0.78	0.89
		PI	1.89	1.89	1.90	1.90	1.90	2.00	2.01	2.01	2.01	2.01	2.12	2.13	2.13	2.13	2.13	2.25	2.25	2.26	2.26	2.26
	47°F (8.3°C)	TC	33931	33977	34014	34015	34061	35976	36019	36055	36062	36104	38126	38175	38218	38225	38268	40423	40467	40511	40517	40568
		S/T	0.50	0.58	0.66	0.66	0.75	0.53	0.62	0.70	0.70	0.80	0.56	0.65	0.74	0.74	0.85	0.59	0.69	0.79	0.79	0.90
		PI	1.40	1.40	1.41	1.41	1.41	1.49	1.49	1.49	1.49	1.49	1.58	1.58	1.58	1.58	1.58	1.67	1.67	1.67	1.68	1.68
	50°F (10.0°C)	TC	33622	33667	33703	33705	33750	35648	35690	35725	35732	35775	37778	37827	37869	37876	37918	40054	40097	40141	40147	40197
		S/T	0.50	0.58	0.66	0.66	0.76	0.53	0.62	0.70	0.70	0.80	0.56	0.66	0.75	0.75	0.85	0.59	0.70	0.79	0.79	0.90
		PI	1.45	1.45	1.45	1.45	1.45	1.54	1.54	1.54	1.54	1.54	1.63	1.63	1.63	1.63	1.63	1.73	1.73	1.73	1.73	1.73
59°F (15.0°C)	TC	32692	32736	32771	32773	32817	34662	34704	34738	34745	34786	36733	36781	36822	36829	36870	38947	38989	39031	39037	39086	
	S/T	0.50	0.59	0.67	0.67	0.76	0.53	0.62	0.71	0.71	0.81	0.56	0.66	0.75	0.75	0.86	0.60	0.70	0.80	0.80	0.91	
	PI	1.59	1.59	1.59	1.59	1.59	1.68	1.68	1.69	1.69	1.69	1.78	1.78	1.79	1.79	1.79	1.89	1.89	1.89	1.89	1.90	
68°F (20.0°C)	TC	31763	31806	31840	31841	31884	33677	33717	33750	33757	33797	35689	35735	35775	35782	35822	37839	37881	37922	37928	37975	
	S/T	0.51	0.60	0.69	0.69	0.78	0.54	0.64	0.73	0.73	0.83	0.58	0.68	0.77	0.77	0.88	0.61	0.72	0.82	0.82	0.93	
	PI	1.72	1.73	1.73	1.73	1.73	1.83	1.83	1.83	1.83	1.83	1.94	1.94	1.94	1.94	1.94	2.05	2.06	2.06	2.06	2.06	
77°F (25.0°C)	TC	30833	30875	30908	30910	30951	32692	32730	32763	32769	32808	34645	34690	34728	34735	34774	36732	36772	36812	36818	36864	
	S/T	0.52	0.61	0.69	0.69	0.79	0.55	0.65	0.74	0.74	0.84	0.59	0.69	0.78	0.78	0.89	0.62	0.73	0.83	0.83	0.94	
	PI	1.86	1.86	1.86	1.87	1.87	1.97	1.97	1.98	1.98	1.98	2.09	2.09	2.10	2.10	2.10	2.22	2.22	2.22	2.22	2.22	
82°F (27.8°C)	TC	31159	31201	31235	31236	31278	33037	33076	33109	33116	33155	35011	35056	35096	35102	35141	37120	37161	37201	37207	37253	
	S/T	0.53	0.62	0.70	0.70	0.80	0.56	0.66	0.75	0.75	0.85	0.59	0.70	0.79	0.79	0.90	0.63	0.74	0.84	0.84	0.95	
	PI	2.11	2.11	2.11	2.11	2.12	2.23	2.24	2.24	2.24	2.24	2.37	2.37	2.37	2.37	2.38	2.51	2.51	2.52	2.52	2.52	

D5CUHA: Product Data

Table 10: Cooling Performance - 30K D5CUHA + D5FUHA (Sheet 8 of 8)

898	86°F (30.0°C)	TC	32483	32527	32562	32563	32607	34441	34481	34515	34522	34563	36498	36546	36586	36593	36634	38697	38739	38782	38788	38836
		S/T	0.53	0.63	0.71	0.71	0.81	0.57	0.66	0.75	0.75	0.86	0.60	0.70	0.80	0.80	0.91	0.64	0.75	0.85	0.85	0.97
		PI	2.52	2.52	2.53	2.53	2.53	2.67	2.67	2.68	2.68	2.68	2.83	2.84	2.84	2.84	2.84	3.00	3.01	3.01	3.01	3.01
	95°F (35.0°C)	TC	35461	35509	35547	35549	35597	37598	37643	37680	37688	37732	39845	39896	39941	39948	39993	42245	42291	42337	42344	42397
		S/T	0.53	0.63	0.71	0.71	0.81	0.57	0.66	0.75	0.75	0.86	0.60	0.70	0.80	0.80	0.91	0.64	0.75	0.85	0.85	0.97
		PI	3.45	3.45	3.46	3.46	3.46	3.66	3.66	3.66	3.66	3.67	3.87	3.88	3.88	3.88	3.89	4.11	4.11	4.12	4.12	4.12
	104°F (40.0°C)	TC	31487	31530	31564	31565	31607	33385	33424	33457	33464	33504	35379	35425	35465	35471	35511	37511	37552	37593	37598	37645
		S/T	0.55	0.64	0.73	0.73	0.83	0.58	0.68	0.77	0.77	0.88	0.62	0.72	0.82	0.82	0.93	0.65	0.76	0.87	0.87	0.99
		PI	3.35	3.35	3.35	3.35	3.36	3.55	3.55	3.56	3.56	3.56	3.76	3.76	3.77	3.77	3.77	3.99	3.99	3.99	4.00	4.00
	110°F (43.0°C)	TC	29103	29142	29173	29175	29214	30857	30893	30924	30930	30966	32700	32743	32779	32785	32822	34670	34708	34746	34751	34795
		S/T	0.57	0.67	0.76	0.76	0.86	0.60	0.71	0.80	0.80	0.91	0.64	0.75	0.85	0.85	0.97	0.68	0.79	0.90	0.90	1.00
		PI	3.28	3.29	3.29	3.29	3.30	3.48	3.49	3.49	3.49	3.49	3.69	3.69	3.70	3.70	3.70	3.91	3.92	3.92	3.92	3.93
	115°F (46.0°C)	TC	24487	24520	24547	24548	24581	25963	25994	26019	26025	26056	27514	27550	27581	27586	27617	29172	29204	29235	29240	29276
		S/T	0.57	0.67	0.77	0.77	0.87	0.61	0.71	0.81	0.81	0.92	0.65	0.76	0.86	0.86	0.98	0.68	0.80	0.91	0.91	1.00
		PI	2.86	2.87	2.87	2.87	2.87	3.04	3.04	3.04	3.04	3.05	3.22	3.22	3.23	3.23	3.23	3.41	3.42	3.42	3.42	3.42
	122°F (50.0°C)	TC	18333	18358	18378	18379	18404	19438	19461	19481	19484	19508	20600	20626	20649	20653	20676	21841	21865	21888	21892	21919
		S/T	0.59	0.69	0.78	0.78	0.89	0.62	0.73	0.83	0.83	0.95	0.66	0.77	0.88	0.88	1.00	0.70	0.82	0.93	0.93	1.00
		PI	2.30	2.31	2.31	2.31	2.31	2.44	2.44	2.45	2.45	2.45	2.59	2.59	2.59	2.59	2.60	2.74	2.75	2.75	2.75	2.75

Table 11: Heating Performance - 30K D5CUHA + D5FUHA (Sheet 1 of 2)

AIRFLOW (CFM)	HEATING PERFORMANCE AT INDOOR DRY BULB TEMPERATURE										
	OUTDOOR DB °F (°C)	TC: Total Heating Capacity (BTU/hr)					PI: Power Input (kW)				
		Indoor Conditions(DB °F)					Indoor Conditions(DB °F)				
		60.8°F (16.0°C)	68°F (20.0°C)	70°F (21.1°C)	71.6°F (22.0°C)	75.2°F (24.0°C)	60.8°F (16.0°C)	68°F (20.0°C)	70°F (21.1°C)	71.6°F (22.0°C)	75.2°F (24.0°C)
712	-22°F (-30.0°C)	14805	14509	14436	14840	14706	3.57	3.60	3.60	3.61	3.63
	-13°F (-25.0°C)	20169	19765	19666	19439	19264	3.98	4.01	4.02	4.03	4.05
	-4°F (-20.0°C)	22618	22166	22055	21800	21604	4.21	4.24	4.25	4.26	4.28
	0°F (-17.8°C)	24826	24329	24208	23927	23712	4.47	4.50	4.51	4.52	4.54
	5°F (-15.0°C)	27585	27034	26898	26587	26348	4.79	4.83	4.84	4.85	4.87
	14°F (-10.0°C)	22091	21649	21541	21291	21100	3.87	3.90	3.91	3.92	3.93
	17°F (-8.3°C)	20259	19854	19755	19526	19350	3.56	3.59	3.60	3.61	3.62
	22°F (-5.6°C)	21706	21272	21165	20920	20732	3.44	3.47	3.48	3.49	3.50
	27°F (-2.8°C)	23152	22689	22576	22315	22114	3.32	3.35	3.36	3.37	3.38
	32°F (-0.0°C)	24599	24107	23987	23709	23496	3.21	3.23	3.24	3.24	3.26
	35°F (1.7°C)	25467	24958	24833	24546	24325	3.13	3.16	3.17	3.17	3.18
	37°F (2.8°C)	26168	25645	25517	25221	24994	3.10	3.12	3.13	3.13	3.15
	42°F (5.6°C)	27921	27362	27225	26910	26668	3.00	3.03	3.03	3.04	3.05
	44.6°F (7.0°C)	28622	28049	27909	27586	27338	2.96	2.99	2.99	3.00	3.01
	47°F (8.3°C)	29673	29080	28934	28600	28342	2.91	2.93	2.94	2.94	2.95
	52°F (11.1°C)	26626	26093	25963	25662	25431	2.61	2.63	2.64	2.64	2.65
	57°F (13.9°C)	23578	23106	22991	22725	22520	2.31	2.33	2.33	2.34	2.35
59°F (15.0°C)	22359	21912	21802	21550	21356	2.19	2.21	2.21	2.22	2.23	
62°F (16.7°C)	20530	20120	20019	19787	19609	2.01	2.03	2.03	2.04	2.04	
64.4°F (18.0°C)	19311	18925	18830	18612	18445	1.89	1.91	1.91	1.92	1.92	
806	-22°F (-30.0°C)	16201	15877	15798	15985	15841	3.60	3.63	3.64	3.65	3.66
	-13°F (-25.0°C)	21642	21210	21103	20939	20751	4.02	4.06	4.06	4.07	4.09
	-4°F (-20.0°C)	24271	23786	23667	23482	23271	4.25	4.29	4.29	4.30	4.32
	0°F (-17.8°C)	26640	26107	25977	25774	25542	4.51	4.55	4.56	4.57	4.58
	5°F (-15.0°C)	29601	29009	28864	28639	28381	4.84	4.88	4.89	4.90	4.92
	14°F (-10.0°C)	23705	23231	23115	22935	22728	3.91	3.94	3.95	3.96	3.97
	17°F (-8.3°C)	21740	21305	21198	21033	20844	3.60	3.63	3.64	3.64	3.66
	22°F (-5.6°C)	23292	22826	22712	22535	22332	3.48	3.51	3.51	3.52	3.54
	27°F (-2.8°C)	24844	24347	24226	24037	23821	3.36	3.39	3.39	3.40	3.41
	32°F (-0.0°C)	26397	25869	25739	25539	25309	3.24	3.26	3.27	3.28	3.29
	35°F (1.7°C)	27328	26781	26648	26440	26202	3.17	3.19	3.20	3.20	3.22
	37°F (2.8°C)	28080	27519	27381	27168	26923	3.13	3.15	3.16	3.17	3.18
	42°F (5.6°C)	29961	29362	29215	28987	28726	3.03	3.06	3.06	3.07	3.08
	44.6°F (7.0°C)	30713	30099	29948	29715	29448	2.99	3.02	3.02	3.03	3.04
	47°F (8.3°C)	31842	31205	31049	30807	30529	2.94	2.96	2.97	2.97	2.98
	52°F (11.1°C)	28571	28000	27860	27643	27394	2.64	2.66	2.66	2.67	2.68
	57°F (13.9°C)	25301	24795	24671	24479	24258	2.33	2.35	2.36	2.36	2.37
59°F (15.0°C)	23993	23513	23395	23213	23004	2.21	2.23	2.24	2.24	2.25	
62°F (16.7°C)	22030	21590	21482	21314	21123	2.03	2.05	2.05	2.06	2.07	
64.4°F (18.0°C)	20722	20308	20206	20049	19868	1.91	1.93	1.93	1.93	1.94	

Table 11: Heating Performance - 30K D5CUHA + D5FUHA (Sheet 2 of 2)

894	-22°F (-30.0°C)	17729	17375	17288	17219	17064	3.64	3.67	3.68	3.69	3.70
	-13°F (-25.0°C)	23224	22759	22646	22555	22352	4.06	4.10	4.10	4.11	4.13
	-4°F (-20.0°C)	26044	25524	25396	25294	25067	4.29	4.33	4.34	4.35	4.36
	0°F (-17.8°C)	28586	28015	27875	27763	27513	4.56	4.59	4.60	4.61	4.63
	5°F (-15.0°C)	31764	31129	30973	30849	30572	4.89	4.93	4.94	4.95	4.96
	14°F (-10.0°C)	25437	24928	24804	24705	24482	3.95	3.98	3.99	4.00	4.01
	17°F (-8.3°C)	23328	22862	22747	22656	22452	3.64	3.67	3.67	3.68	3.70
	22°F (-5.6°C)	24994	24494	24372	24274	24056	3.51	3.54	3.55	3.56	3.57
	27°F (-2.8°C)	26660	26126	25996	25892	25659	3.39	3.42	3.43	3.43	3.45
	32°F (-0.0°C)	28325	27759	27620	27510	27262	3.27	3.30	3.30	3.31	3.32
	35°F (1.7°C)	29325	28738	28595	28480	28224	3.20	3.22	3.23	3.24	3.25
	37°F (2.8°C)	30132	29529	29382	29264	29001	3.16	3.18	3.19	3.20	3.21
	42°F (5.6°C)	32150	31507	31350	31224	30943	3.06	3.09	3.09	3.10	3.11
	44.6°F (7.0°C)	32957	32298	32137	32008	31720	3.02	3.05	3.05	3.06	3.07
	47°F (8.3°C)	34168	33485	33317	33184	32885	2.97	2.99	3.00	3.00	3.01
	52°F (11.1°C)	30659	30046	29895	29776	29508	2.66	2.68	2.69	2.69	2.71
	57°F (13.9°C)	27150	26607	26474	26368	26130	2.36	2.38	2.38	2.39	2.40
	59°F (15.0°C)	25746	25231	25105	25004	24779	2.24	2.25	2.26	2.26	2.27
	62°F (16.7°C)	23640	23167	23052	22959	22753	2.05	2.07	2.07	2.08	2.09
	64.4°F (18.0°C)	22236	21792	21683	21596	21402	1.93	1.95	1.95	1.95	1.96
988	-22°F (-30.0°C)	19025	18644	18551	18477	18311	3.68	3.71	3.72	3.72	3.74
	-13°F (-25.0°C)	24921	24422	24300	24203	23985	4.10	4.14	4.15	4.15	4.17
	-4°F (-20.0°C)	27948	27389	27252	27143	26898	4.34	4.37	4.38	4.39	4.41
	0°F (-17.8°C)	30675	30062	29911	29792	29524	4.60	4.64	4.65	4.66	4.68
	5°F (-15.0°C)	34085	33403	33236	33103	32805	4.94	4.98	4.99	4.99	5.02
	14°F (-10.0°C)	27296	26750	26616	26510	26271	3.99	4.02	4.03	4.04	4.05
	17°F (-8.3°C)	25033	24532	24409	24312	24093	3.67	3.70	3.71	3.72	3.73
	22°F (-5.6°C)	26820	26284	26152	26048	25813	3.55	3.58	3.59	3.59	3.61
	27°F (-2.8°C)	28608	28036	27895	27784	27534	3.43	3.45	3.46	3.47	3.48
	32°F (-0.0°C)	30395	29787	29638	29520	29254	3.30	3.33	3.34	3.34	3.36
	35°F (1.7°C)	31468	30838	30684	30561	30286	3.23	3.26	3.26	3.27	3.28
	37°F (2.8°C)	32334	31687	31529	31403	31120	3.19	3.22	3.22	3.23	3.24
	42°F (5.6°C)	34499	33809	33640	33506	33204	3.09	3.12	3.12	3.13	3.14
	44.6°F (7.0°C)	35366	34658	34485	34347	34038	3.05	3.08	3.09	3.09	3.10
	47°F (8.3°C)	36665	35932	35752	35609	35288	3.00	3.02	3.03	3.03	3.05
	52°F (11.1°C)	32899	32241	32080	31952	31664	2.69	2.71	2.72	2.72	2.73
	57°F (13.9°C)	29133	28551	28408	28294	28040	2.38	2.40	2.41	2.41	2.42
	59°F (15.0°C)	27627	27075	26939	26831	26590	2.26	2.28	2.28	2.29	2.29
	62°F (16.7°C)	25368	24860	24736	24637	24415	2.07	2.09	2.09	2.10	2.11
	64.4°F (18.0°C)	23861	23384	23267	23174	22966	2	2	2	1.97	1.98

Table 12: Cooling Performance - 36K D5CUHA + D5FUHA (Sheet 1 of 8)

AIRFLOW (CFM)	OUTDOOR DB °F (°C)	ID WB(°F)	60.8°F(16.0°C)					64.4°F(18.0°C)					67°F(19.4°C)					71.6°F(22.0°C)				
		ID DB(°F)	73.4°F(23.0°C)	77.0°F(25.0°C)	80.0°F(26.7°C)	80.6°F(27.0°C)	84.2°F(29.0°C)	73.4°F(23.0°C)	77.0°F(25.0°C)	80.0°F(26.7°C)	80.6°F(27.0°C)	84.2°F(29.0°C)	73.4°F(23.0°C)	77.0°F(25.0°C)	80.0°F(26.7°C)	80.6°F(27.0°C)	84.2°F(29.0°C)	73.4°F(23.0°C)	77.0°F(25.0°C)	80.0°F(26.7°C)	80.6°F(27.0°C)	84.2°F(29.0°C)
971	-22°F(-30.0°C)	TC	27380	27417	27446	27447	27484	29030	29064	29093	29099	29133	30764	30804	30838	30844	30879	32618	32653	32689	32694	32734
		S/T	0.42	0.49	0.56	0.56	0.63	0.44	0.52	0.59	0.59	0.67	0.47	0.55	0.62	0.62	0.71	0.50	0.58	0.66	0.66	0.75
		PI	1.80	1.80	1.80	1.80	1.81	1.91	1.91	1.91	1.91	1.91	2.02	2.02	2.03	2.03	2.03	2.14	2.15	2.15	2.15	2.15
	-13°F(-25.0°C)	TC	29661	29701	29733	29735	29775	31449	31486	31517	31523	31561	33328	33371	33408	33414	33452	35336	35374	35413	35418	35462
		S/T	0.42	0.49	0.56	0.56	0.64	0.44	0.52	0.59	0.59	0.68	0.47	0.55	0.63	0.63	0.72	0.50	0.59	0.67	0.67	0.76
		PI	1.95	1.95	1.95	1.95	1.96	2.07	2.07	2.07	2.07	2.07	2.19	2.19	2.20	2.20	2.20	2.32	2.32	2.33	2.33	2.33
	-4°F(-20.0°C)	TC	31943	31986	32020	32022	32065	33868	33908	33942	33948	33989	35891	35938	35978	35985	36025	38054	38095	38137	38143	38190
		S/T	0.42	0.50	0.56	0.56	0.64	0.45	0.52	0.60	0.60	0.68	0.47	0.56	0.63	0.63	0.72	0.50	0.59	0.67	0.67	0.76
		PI	2.10	2.10	2.10	2.10	2.11	2.23	2.23	2.23	2.23	2.23	2.36	2.36	2.36	2.36	2.37	2.50	2.50	2.51	2.51	2.51
	0°F(-17.8°C)	TC	32957	33001	33037	33038	33083	34943	34985	35019	35026	35068	37031	37079	37120	37127	37169	39262	39305	39348	39354	39403
		S/T	0.42	0.50	0.56	0.56	0.64	0.45	0.53	0.60	0.60	0.68	0.48	0.56	0.63	0.63	0.72	0.50	0.59	0.67	0.67	0.77
		PI	2.17	2.17	2.17	2.17	2.17	2.30	2.30	2.30	2.30	2.30	2.43	2.44	2.44	2.44	2.44	2.58	2.58	2.59	2.59	2.59
	5°F(-15.0°C)	TC	34225	34271	34308	34309	34355	36287	36330	36366	36373	36416	38455	38505	38548	38555	38598	40772	40816	40861	40867	40918
		S/T	0.43	0.50	0.57	0.57	0.65	0.45	0.53	0.60	0.60	0.69	0.48	0.56	0.64	0.64	0.73	0.51	0.59	0.68	0.68	0.77
		PI	2.25	2.25	2.25	2.25	2.26	2.38	2.39	2.39	2.39	2.39	2.53	2.53	2.53	2.53	2.54	2.68	2.68	2.69	2.69	2.69
	14°F(-10.0°C)	TC	30513	30554	30587	30589	30630	32352	32391	32423	32429	32467	34285	34330	34368	34374	34413	36351	36390	36430	36436	36481
		S/T	0.43	0.50	0.57	0.57	0.65	0.45	0.53	0.60	0.60	0.69	0.48	0.56	0.64	0.64	0.73	0.51	0.60	0.68	0.68	0.77
		PI	1.41	1.41	1.41	1.41	1.41	1.49	1.49	1.50	1.50	1.50	1.58	1.58	1.59	1.59	1.59	1.68	1.68	1.68	1.68	1.68
	17°F(-8.3°C)	TC	29276	29316	29347	29349	29388	31041	31077	31108	31114	31151	32895	32938	32975	32981	33018	34877	34915	34953	34958	35002
		S/T	0.43	0.50	0.57	0.57	0.65	0.45	0.53	0.60	0.60	0.69	0.48	0.56	0.64	0.64	0.73	0.51	0.60	0.68	0.68	0.77
		PI	1.13	1.13	1.13	1.13	1.13	1.19	1.20	1.20	1.20	1.20	1.27	1.27	1.27	1.27	1.27	1.34	1.34	1.35	1.35	1.35
	23°F(-5.0°C)	TC	33019	33063	33099	33100	33145	35009	35050	35085	35092	35133	37100	37149	37190	37197	37238	39336	39379	39421	39428	39477
		S/T	0.43	0.50	0.57	0.57	0.65	0.46	0.53	0.61	0.61	0.69	0.48	0.57	0.64	0.64	0.73	0.51	0.60	0.68	0.68	0.78
		PI	1.56	1.56	1.56	1.56	1.56	1.65	1.65	1.65	1.65	1.66	1.75	1.75	1.75	1.75	1.75	1.85	1.86	1.86	1.86	1.86
35°F(1.7°C)	TC	40504	40559	40602	40604	40659	42945	42996	43038	43047	43098	45511	45570	45621	45629	45680	48253	48305	48358	48366	48426	
	S/T	0.43	0.51	0.58	0.58	0.66	0.46	0.54	0.61	0.61	0.70	0.49	0.57	0.65	0.65	0.74	0.51	0.60	0.69	0.69	0.78	
	PI	2.41	2.42	2.42	2.42	2.42	2.56	2.56	2.56	2.56	2.57	2.71	2.72	2.72	2.72	2.72	2.87	2.88	2.88	2.88	2.89	
41°F(5.0°C)	TC	36207	36256	36295	36296	36345	38389	38434	38472	38480	38526	40682	40735	40781	40788	40834	43134	43180	43227	43234	43288	
	S/T	0.43	0.51	0.58	0.58	0.66	0.46	0.54	0.61	0.61	0.70	0.49	0.57	0.65	0.65	0.74	0.52	0.60	0.69	0.69	0.78	
	PI	2.12	2.12	2.12	2.12	2.13	2.25	2.25	2.25	2.25	2.25	2.38	2.38	2.39	2.39	2.39	2.52	2.53	2.53	2.53	2.53	
47°F(8.3°C)	TC	31910	31952	31987	31988	32031	33833	33873	33906	33913	33953	35854	35900	35940	35947	35987	38014	38056	38097	38103	38150	
	S/T	0.43	0.51	0.58	0.58	0.66	0.46	0.54	0.61	0.61	0.70	0.49	0.57	0.65	0.65	0.74	0.52	0.61	0.69	0.69	0.79	
	PI	1.82	1.83	1.83	1.83	1.83	1.93	1.93	1.94	1.94	1.94	2.05	2.05	2.05	2.05	2.06	2.17	2.17	2.18	2.18	2.18	

Manufacturer reserves the right to change, at any time, specifications and designs without notice and without obligations.

Table 12: Cooling Performance - 36K D5CUHA + D5FUHA (Sheet 2 of 8)

971	50°F(10.0°C)	TC	31681	31724	31758	31760	31802	33591	33631	33664	33670	33710	35598	35644	35684	35690	35730	37742	37783	37825	37830	37878
		S/T	0.44	0.51	0.58	0.58	0.66	0.46	0.54	0.62	0.62	0.70	0.49	0.57	0.65	0.65	0.74	0.52	0.61	0.69	0.69	0.79
		PI	1.86	1.86	1.86	1.86	1.86	1.97	1.97	1.97	1.97	1.98	2.09	2.09	2.09	2.09	2.09	2.21	2.21	2.22	2.22	2.22
	59°F(15.0°C)	TC	30997	31039	31072	31074	31115	32865	32904	32937	32943	32982	34829	34874	34913	34919	34958	36927	36967	37007	37013	37059
		S/T	0.44	0.51	0.58	0.58	0.67	0.46	0.55	0.62	0.62	0.71	0.49	0.58	0.66	0.66	0.75	0.52	0.61	0.70	0.70	0.79
		PI	1.96	1.96	1.96	1.96	1.97	2.08	2.08	2.08	2.08	2.08	2.20	2.20	2.21	2.21	2.21	2.33	2.34	2.34	2.34	2.34
	68°F(20.0°C)	TC	30313	30353	30386	30388	30428	32139	32178	32209	32216	32254	34060	34104	34142	34148	34186	36112	36151	36190	36196	36241
		S/T	0.45	0.53	0.60	0.60	0.68	0.48	0.56	0.64	0.64	0.72	0.51	0.59	0.67	0.67	0.77	0.54	0.63	0.71	0.71	0.81
		PI	2.06	2.06	2.07	2.07	2.07	2.18	2.19	2.19	2.19	2.19	2.32	2.32	2.32	2.32	2.32	2.45	2.46	2.46	2.46	2.46
	77°F(25.0°C)	TC	29628	29668	29700	29701	29742	31414	31451	31482	31488	31526	33291	33334	33371	33377	33415	35296	35335	35373	35379	35423
		S/T	0.46	0.53	0.61	0.61	0.69	0.48	0.57	0.64	0.64	0.73	0.51	0.60	0.68	0.68	0.78	0.54	0.64	0.72	0.72	0.83
		PI	2.16	2.17	2.17	2.17	2.17	2.29	2.30	2.30	2.30	2.30	2.43	2.43	2.44	2.44	2.44	2.58	2.58	2.58	2.58	2.59
	82°F(27.8°C)	TC	29915	29955	29987	29989	30029	31718	31755	31787	31793	31831	33613	33656	33694	33700	33738	35638	35677	35715	35721	35766
		S/T	0.46	0.54	0.62	0.62	0.70	0.49	0.57	0.65	0.65	0.74	0.52	0.61	0.69	0.69	0.79	0.55	0.65	0.73	0.73	0.84
		PI	2.35	2.36	2.36	2.36	2.36	2.49	2.50	2.50	2.50	2.50	2.64	2.65	2.65	2.65	2.65	2.80	2.81	2.81	2.81	2.81
	86°F(30.0°C)	TC	30986	31027	31061	31062	31104	32853	32892	32924	32931	32970	34816	34861	34900	34906	34945	36913	36954	36994	37000	37046
		S/T	0.47	0.55	0.62	0.62	0.71	0.50	0.58	0.66	0.66	0.75	0.53	0.62	0.70	0.70	0.80	0.56	0.65	0.74	0.74	0.85
		PI	2.67	2.68	2.68	2.68	2.68	2.83	2.84	2.84	2.84	2.84	3.00	3.01	3.01	3.01	3.01	3.18	3.19	3.19	3.19	3.20
	95°F(35.0°C)	TC	33395	33440	33476	33477	33522	35407	35449	35484	35491	35533	37522	37571	37613	37620	37662	39783	39827	39870	39876	39926
		S/T	0.47	0.55	0.62	0.62	0.71	0.50	0.58	0.66	0.66	0.75	0.53	0.62	0.70	0.70	0.80	0.56	0.65	0.74	0.74	0.85
		PI	3.39	3.40	3.40	3.40	3.41	3.60	3.60	3.61	3.61	3.61	3.81	3.82	3.82	3.82	3.83	4.04	4.05	4.05	4.05	4.06
	104°F(40.0°C)	TC	31237	31279	31312	31314	31356	33119	33158	33191	33198	33237	35098	35143	35183	35189	35228	37213	37253	37294	37299	37346
		S/T	0.48	0.56	0.64	0.64	0.73	0.51	0.60	0.68	0.68	0.77	0.54	0.63	0.72	0.72	0.82	0.57	0.67	0.76	0.76	0.87
		PI	3.38	3.38	3.38	3.38	3.39	3.58	3.58	3.59	3.59	3.59	3.79	3.80	3.80	3.80	3.81	4.02	4.03	4.03	4.03	4.04
110°F(43.0°C)	TC	29942	29982	30014	30016	30056	31746	31784	31815	31822	31859	33643	33687	33724	33731	33768	35670	35709	35748	35753	35798	
	S/T	0.50	0.58	0.66	0.66	0.75	0.53	0.62	0.70	0.70	0.80	0.56	0.65	0.74	0.74	0.85	0.59	0.69	0.79	0.79	0.90	
	PI	3.36	3.37	3.37	3.37	3.38	3.57	3.57	3.57	3.57	3.58	3.78	3.78	3.79	3.79	3.79	4.01	4.01	4.02	4.02	4.02	
115°F(46.0°C)	TC	25269	25303	25330	25331	25365	26791	26823	26850	26855	26887	28392	28429	28461	28466	28498	30103	30135	30168	30173	30211	
	S/T	0.50	0.59	0.67	0.67	0.76	0.53	0.62	0.71	0.71	0.81	0.56	0.66	0.75	0.75	0.86	0.60	0.70	0.80	0.80	0.91	
	PI	3.04	3.04	3.05	3.05	3.05	3.22	3.23	3.23	3.23	3.23	3.41	3.42	3.42	3.42	3.43	3.62	3.62	3.63	3.63	3.63	
122°F(50.0°C)	TC	19038	19063	19084	19085	19110	20185	20209	20229	20233	20257	21391	21419	21442	21446	21470	22680	22704	22729	22733	22761	
	S/T	0.51	0.60	0.69	0.69	0.78	0.55	0.64	0.73	0.73	0.83	0.58	0.68	0.77	0.77	0.88	0.61	0.72	0.82	0.82	0.93	
	PI	2.61	2.61	2.61	2.61	2.62	2.76	2.77	2.77	2.77	2.77	2.93	2.93	2.94	2.94	2.94	3.10	3.11	3.11	3.11	3.12	
1059	-22°F(-30.0°C)	TC	28622	28660	28691	28692	28731	30347	30382	30413	30419	30455	32160	32201	32237	32243	32279	34097	34134	34171	34177	34219
		S/T	0.44	0.51	0.58	0.58	0.66	0.46	0.54	0.62	0.62	0.70	0.49	0.57	0.65	0.65	0.74	0.52	0.61	0.69	0.69	0.79
		PI	1.88	1.88	1.89	1.89	1.89	1.99	2.00	2.00	2.00	2.00	2.11	2.12	2.12	2.12	2.12	2.24	2.24	2.25	2.25	2.25

Table 12: Cooling Performance - 36K D5CUHA + D5FUHA (Sheet 3 of 8)

1059	-13°F(-25.0°C)	TC	31007	31049	31082	31083	31125	32875	32914	32947	32953	32993	34840	34885	34924	34930	34969	36939	36979	37019	37025	37071
		S/T	0.44	0.51	0.58	0.58	0.67	0.46	0.55	0.62	0.62	0.71	0.49	0.58	0.66	0.66	0.75	0.52	0.61	0.70	0.70	0.79
		PI	2.04	2.04	2.04	2.04	2.05	2.16	2.16	2.17	2.17	2.17	2.29	2.29	2.30	2.30	2.30	2.43	2.43	2.43	2.43	2.43
	-4°F(-20.0°C)	TC	33392	33437	33473	33474	33520	35404	35446	35481	35488	35530	37520	37568	37610	37617	37659	39780	39823	39867	39873	39923
		S/T	0.44	0.52	0.59	0.59	0.67	0.47	0.55	0.62	0.62	0.71	0.50	0.58	0.66	0.66	0.75	0.53	0.62	0.70	0.70	0.80
		PI	2.19	2.20	2.20	2.20	2.20	2.33	2.33	2.33	2.33	2.34	2.47	2.47	2.47	2.47	2.47	2.61	2.62	2.62	2.62	2.62
	0°F(-17.8°C)	TC	34452	34498	34536	34537	34584	36528	36572	36608	36615	36658	38711	38761	38804	38811	38855	41043	41088	41132	41139	41190
		S/T	0.44	0.52	0.59	0.59	0.67	0.47	0.55	0.63	0.63	0.71	0.50	0.58	0.66	0.66	0.76	0.53	0.62	0.70	0.70	0.80
		PI	2.26	2.27	2.27	2.27	2.27	2.40	2.40	2.41	2.41	2.41	2.54	2.55	2.55	2.55	2.55	2.70	2.70	2.70	2.70	2.71
	5°F(-15.0°C)	TC	35777	35825	35864	35865	35914	37933	37978	38016	38023	38068	40199	40252	40297	40304	40349	42622	42668	42714	42721	42774
		S/T	0.44	0.52	0.59	0.59	0.68	0.47	0.55	0.63	0.63	0.72	0.50	0.59	0.67	0.67	0.76	0.53	0.62	0.71	0.71	0.80
		PI	2.35	2.35	2.36	2.36	2.36	2.49	2.50	2.50	2.50	2.50	2.64	2.65	2.65	2.65	2.65	2.80	2.80	2.81	2.81	2.81
	14°F(-10.0°C)	TC	31897	31940	31975	31976	32019	33820	33860	33893	33900	33940	35840	35887	35927	35934	35974	38000	38041	38083	38088	38136
		S/T	0.45	0.52	0.59	0.59	0.68	0.47	0.55	0.63	0.63	0.72	0.50	0.59	0.67	0.67	0.76	0.53	0.62	0.71	0.71	0.81
		PI	1.47	1.47	1.47	1.48	1.48	1.56	1.56	1.56	1.56	1.57	1.65	1.66	1.66	1.66	1.66	1.75	1.75	1.76	1.76	1.76
	17°F(-8.3°C)	TC	30604	30645	30678	30680	30721	32449	32487	32519	32526	32564	34387	34432	34470	34477	34515	36459	36499	36539	36544	36590
		S/T	0.45	0.52	0.60	0.60	0.68	0.47	0.56	0.63	0.63	0.72	0.50	0.59	0.67	0.67	0.76	0.53	0.62	0.71	0.71	0.81
		PI	1.18	1.18	1.18	1.18	1.18	1.25	1.25	1.25	1.25	1.25	1.32	1.33	1.33	1.33	1.33	1.40	1.40	1.41	1.41	1.41
	23°F(-5.0°C)	TC	34517	34563	34600	34602	34649	36597	36640	36676	36684	36727	38783	38834	38877	38884	38928	41120	41165	41210	41216	41267
		S/T	0.45	0.53	0.60	0.60	0.68	0.48	0.56	0.63	0.63	0.72	0.50	0.59	0.67	0.67	0.77	0.53	0.63	0.71	0.71	0.81
		PI	1.63	1.63	1.63	1.63	1.63	1.72	1.73	1.73	1.73	1.73	1.83	1.83	1.83	1.83	1.83	1.94	1.94	1.94	1.94	1.94
	35°F(1.7°C)	TC	42341	42398	42444	42446	42503	44893	44946	44991	45000	45053	47575	47637	47690	47699	47752	50442	50497	50552	50559	50622
		S/T	0.45	0.53	0.60	0.60	0.69	0.48	0.56	0.64	0.64	0.73	0.51	0.59	0.68	0.68	0.77	0.54	0.63	0.72	0.72	0.82
		PI	2.52	2.53	2.53	2.53	2.53	2.67	2.68	2.68	2.68	2.68	2.83	2.84	2.84	2.84	2.85	3.01	3.01	3.01	3.01	3.02
41°F(5.0°C)	TC	37849	37900	37941	37943	37994	40130	40178	40217	40225	40273	42528	42583	42630	42638	42686	45090	45139	45188	45195	45252	
	S/T	0.45	0.53	0.60	0.60	0.69	0.48	0.56	0.64	0.64	0.73	0.51	0.60	0.68	0.68	0.77	0.54	0.63	0.72	0.72	0.82	
	PI	2.21	2.22	2.22	2.22	2.22	2.35	2.35	2.35	2.35	2.36	2.49	2.49	2.49	2.49	2.50	2.64	2.64	2.64	2.64	2.65	
47°F(8.3°C)	TC	33357	33402	33438	33439	33484	35367	35409	35444	35451	35493	37480	37529	37571	37578	37620	39739	39782	39825	39831	39881	
	S/T	0.45	0.53	0.60	0.60	0.69	0.48	0.56	0.64	0.64	0.73	0.51	0.60	0.68	0.68	0.77	0.54	0.63	0.72	0.72	0.82	
	PI	1.91	1.91	1.91	1.91	1.91	2.02	2.02	2.02	2.02	2.03	2.14	2.14	2.15	2.15	2.15	2.27	2.27	2.27	2.28	2.28	
50°F(10.0°C)	TC	33119	33163	33199	33200	33245	35114	35156	35191	35198	35239	37212	37261	37302	37309	37351	39454	39497	39540	39546	39596	
	S/T	0.46	0.53	0.61	0.61	0.69	0.48	0.57	0.64	0.64	0.73	0.51	0.60	0.68	0.68	0.78	0.54	0.64	0.72	0.72	0.83	
	PI	1.94	1.94	1.95	1.95	1.95	2.06	2.06	2.06	2.06	2.07	2.18	2.18	2.19	2.19	2.19	2.31	2.31	2.32	2.32	2.32	
59°F(15.0°C)	TC	32403	32447	32482	32483	32527	34356	34397	34431	34437	34478	36408	36456	36496	36503	36544	38602	38644	38686	38692	38740	
	S/T	0.46	0.54	0.61	0.61	0.70	0.49	0.57	0.65	0.65	0.74	0.51	0.60	0.69	0.69	0.78	0.55	0.64	0.73	0.73	0.83	
	PI	2.05	2.05	2.05	2.05	2.06	2.17	2.17	2.18	2.18	2.18	2.30	2.30	2.31	2.31	2.31	2.44	2.44	2.44	2.44	2.45	

Manufacturer reserves the right to change, at any time, specifications and designs without notice and without obligations.

Table 12: Cooling Performance - 36K D5CUHA + D5FUHA (Sheet 4 of 8)

1059	68°F(20.0°C)	TC	31688	31730	31765	31766	31809	33597	33637	33670	33677	33717	35605	35651	35691	35697	35737	37750	37791	37832	37838	37885
		S/T	0.47	0.55	0.63	0.63	0.71	0.50	0.58	0.66	0.66	0.76	0.53	0.62	0.70	0.70	0.80	0.56	0.66	0.75	0.75	0.85
		PI	2.15	2.16	2.16	2.16	2.16	2.28	2.29	2.29	2.29	2.29	2.29	2.42	2.42	2.43	2.43	2.43	2.57	2.57	2.57	2.57
	77°F(25.0°C)	TC	30972	31014	31047	31049	31091	32839	32878	32910	32917	32956	34801	34846	34885	34891	34930	36898	36938	36978	36984	37030
		S/T	0.48	0.56	0.64	0.64	0.72	0.51	0.59	0.67	0.67	0.77	0.54	0.63	0.71	0.71	0.81	0.57	0.67	0.76	0.76	0.86
		PI	2.26	2.26	2.27	2.27	2.27	2.40	2.40	2.40	2.40	2.41	2.54	2.54	2.55	2.55	2.55	2.69	2.70	2.70	2.70	2.70
	82°F(27.8°C)	TC	31272	31314	31348	31349	31391	33156	33196	33229	33235	33275	35137	35183	35222	35229	35268	37254	37295	37336	37341	37388
		S/T	0.48	0.57	0.64	0.64	0.73	0.51	0.60	0.68	0.68	0.78	0.54	0.64	0.72	0.72	0.82	0.57	0.67	0.77	0.77	0.87
		PI	2.46	2.46	2.47	2.47	2.47	2.61	2.61	2.61	2.61	2.62	2.76	2.77	2.77	2.77	2.77	2.93	2.93	2.94	2.94	2.94
	86°F(30.0°C)	TC	32391	32435	32470	32471	32515	34343	34384	34418	34425	34465	36395	36442	36483	36490	36530	38588	38630	38672	38678	38726
		S/T	0.49	0.57	0.65	0.65	0.74	0.52	0.61	0.69	0.69	0.79	0.55	0.64	0.73	0.73	0.83	0.58	0.68	0.78	0.78	0.88
		PI	2.79	2.80	2.80	2.80	2.80	2.96	2.97	2.97	2.97	2.97	3.14	3.14	3.15	3.15	3.15	3.33	3.33	3.34	3.34	3.34
	95°F(35.0°C)	TC	34909	34956	34994	34996	35043	37013	37057	37094	37101	37145	39225	39276	39319	39327	39370	41588	41633	41678	41685	41737
		S/T	0.49	0.57	0.65	0.65	0.74	0.52	0.61	0.69	0.69	0.79	0.55	0.64	0.73	0.73	0.83	0.58	0.68	0.78	0.78	0.88
		PI	3.55	3.55	3.56	3.56	3.56	3.76	3.77	3.77	3.77	3.78	3.99	3.99	4.00	4.00	4.00	4.23	4.23	4.24	4.24	4.24
	104°F(40.0°C)	TC	32654	32698	32733	32734	32778	34621	34662	34697	34704	34745	36690	36738	36779	36785	36826	38901	38943	38985	38991	39040
		S/T	0.50	0.59	0.67	0.67	0.76	0.53	0.62	0.71	0.71	0.81	0.56	0.66	0.75	0.75	0.86	0.60	0.70	0.80	0.80	0.91
		PI	3.53	3.53	3.54	3.54	3.54	3.74	3.75	3.75	3.75	3.75	3.96	3.97	3.97	3.97	3.98	4.20	4.21	4.21	4.21	4.22
	110°F(43.0°C)	TC	31300	31342	31376	31377	31420	33186	33226	33259	33265	33305	35169	35215	35254	35261	35300	37288	37329	37369	37375	37422
		S/T	0.52	0.61	0.69	0.69	0.79	0.55	0.65	0.73	0.73	0.84	0.58	0.68	0.78	0.78	0.89	0.62	0.73	0.82	0.82	0.94
		PI	3.52	3.52	3.52	3.53	3.53	3.73	3.73	3.74	3.74	3.74	3.95	3.96	3.96	3.96	3.97	4.19	4.19	4.20	4.20	4.20
	115°F(46.0°C)	TC	26415	26450	26479	26480	26516	28007	28040	28068	28073	28106	29680	29719	29752	29757	29790	31468	31502	31537	31542	31581
		S/T	0.53	0.62	0.70	0.70	0.80	0.56	0.65	0.74	0.74	0.85	0.59	0.69	0.79	0.79	0.90	0.63	0.73	0.83	0.83	0.95
		PI	3.18	3.18	3.18	3.18	3.19	3.37	3.37	3.38	3.38	3.38	3.57	3.57	3.58	3.58	3.58	3.78	3.79	3.79	3.79	3.80
122°F(50.0°C)	TC	19901	19928	19949	19950	19977	21100	21125	21146	21150	21176	22361	22390	22415	22419	22444	23708	23734	23760	23764	23793	
	S/T	0.54	0.63	0.72	0.72	0.82	0.57	0.67	0.76	0.76	0.87	0.60	0.71	0.81	0.81	0.92	0.64	0.75	0.85	0.85	0.97	
	PI	2.72	2.73	2.73	2.73	2.73	2.89	2.89	2.89	2.90	2.90	3.06	3.06	3.07	3.07	3.07	3.25	3.25	3.25	3.25	3.26	
1147	-22°F(-30.0°C)	TC	29920	29960	29992	29994	30034	31723	31761	31792	31798	31836	33618	33662	33700	33706	33743	35644	35683	35722	35727	35772
		S/T	0.46	0.53	0.61	0.61	0.69	0.48	0.57	0.64	0.64	0.73	0.51	0.60	0.68	0.68	0.78	0.54	0.64	0.72	0.72	0.82
		PI	1.97	1.97	1.97	1.97	1.97	2.08	2.09	2.09	2.09	2.09	2.21	2.21	2.21	2.22	2.22	2.34	2.35	2.35	2.35	2.35
	-13°F(-25.0°C)	TC	32413	32457	32492	32493	32537	34367	34407	34441	34448	34489	36420	36467	36508	36515	36555	38614	38656	38698	38704	38753
		S/T	0.46	0.54	0.61	0.61	0.70	0.49	0.57	0.65	0.65	0.74	0.52	0.60	0.69	0.69	0.78	0.55	0.64	0.73	0.73	0.83
		PI	2.13	2.13	2.14	2.14	2.14	2.26	2.26	2.26	2.26	2.27	2.39	2.40	2.40	2.40	2.40	2.54	2.54	2.54	2.54	2.55
	-4°F(-20.0°C)	TC	34907	34954	34991	34993	35040	37010	37054	37091	37098	37142	39221	39272	39316	39323	39367	41585	41630	41675	41682	41734
		S/T	0.46	0.54	0.61	0.61	0.70	0.49	0.57	0.65	0.65	0.74	0.52	0.61	0.69	0.69	0.79	0.55	0.64	0.73	0.73	0.83
		PI	2.29	2.30	2.30	2.30	2.30	2.43	2.44	2.44	2.44	2.44	2.58	2.58	2.58	2.58	2.59	2.73	2.74	2.74	2.74	2.74

Table 12: Cooling Performance - 36K D5CUHA + D5FUHA (Sheet 5 of 8)

1147	0°F(-17.8°C)	TC	36015	36063	36102	36104	36152	38185	38230	38268	38276	38321	40467	40519	40564	40572	40617	42905	42951	42998	43005	43058
		S/T	0.46	0.54	0.62	0.62	0.70	0.49	0.58	0.65	0.65	0.74	0.52	0.61	0.69	0.69	0.79	0.55	0.65	0.73	0.73	0.84
		PI	2.37	2.37	2.37	2.37	2.38	2.51	2.51	2.51	2.52	2.52	2.66	2.66	2.67	2.67	2.67	2.67	2.82	2.82	2.83	2.83
	5°F(-15.0°C)	TC	37400	37450	37491	37492	37543	39654	39701	39740	39748	39795	42023	42078	42124	42132	42179	44555	44603	44652	44659	44714
		S/T	0.46	0.55	0.62	0.62	0.71	0.49	0.58	0.66	0.66	0.75	0.52	0.61	0.70	0.70	0.79	0.55	0.65	0.74	0.74	0.84
		PI	2.46	2.46	2.46	2.46	2.47	2.61	2.61	2.61	2.61	2.62	2.76	2.77	2.77	2.77	2.77	2.93	2.93	2.93	2.93	2.94
	14°F(-10.0°C)	TC	33344	33389	33425	33427	33472	35354	35396	35431	35438	35480	37466	37515	37557	37564	37605	39724	39767	39810	39816	39866
		S/T	0.47	0.55	0.62	0.62	0.71	0.49	0.58	0.66	0.66	0.75	0.52	0.61	0.70	0.70	0.80	0.55	0.65	0.74	0.74	0.84
		PI	1.54	1.54	1.54	1.54	1.54	1.63	1.63	1.63	1.63	1.64	1.73	1.73	1.73	1.73	1.73	1.83	1.83	1.84	1.84	1.84
	17°F(-8.3°C)	TC	31993	32036	32070	32072	32115	33921	33961	33994	34001	34041	35947	35994	36034	36041	36081	38113	38154	38196	38202	38249
		S/T	0.47	0.55	0.62	0.62	0.71	0.50	0.58	0.66	0.66	0.75	0.52	0.62	0.70	0.70	0.80	0.56	0.65	0.74	0.74	0.85
		PI	1.23	1.23	1.23	1.23	1.24	1.31	1.31	1.31	1.31	1.31	1.38	1.39	1.39	1.39	1.39	1.47	1.47	1.47	1.47	1.47
	23°F(-5.0°C)	TC	36082	36131	36170	36171	36220	38257	38302	38340	38348	38393	40543	40595	40640	40648	40693	42985	43032	43079	43086	43139
		S/T	0.47	0.55	0.63	0.63	0.71	0.50	0.58	0.66	0.66	0.76	0.53	0.62	0.70	0.70	0.80	0.56	0.66	0.75	0.75	0.85
		PI	1.70	1.70	1.70	1.70	1.71	1.80	1.80	1.81	1.81	1.81	1.91	1.91	1.91	1.92	1.92	2.03	2.03	2.03	2.03	2.03
	35°F(1.7°C)	TC	44262	44322	44369	44371	44431	46930	46985	47032	47041	47097	49733	49798	49853	49863	49918	52730	52787	52845	52853	52919
		S/T	0.47	0.55	0.63	0.63	0.72	0.50	0.59	0.67	0.67	0.76	0.53	0.62	0.71	0.71	0.81	0.56	0.66	0.75	0.75	0.85
		PI	2.64	2.64	2.64	2.64	2.65	2.80	2.80	2.80	2.80	2.81	2.96	2.97	2.97	2.97	2.97	3.14	3.15	3.15	3.15	3.15
	41°F(5.0°C)	TC	39566	39619	39662	39664	39717	41951	42000	42042	42050	42100	44457	44515	44564	44573	44622	47136	47187	47238	47245	47304
		S/T	0.47	0.55	0.63	0.63	0.72	0.50	0.59	0.67	0.67	0.76	0.53	0.62	0.71	0.71	0.81	0.56	0.66	0.75	0.75	0.86
		PI	2.31	2.32	2.32	2.32	2.32	2.45	2.46	2.46	2.46	2.46	2.60	2.60	2.61	2.61	2.61	2.76	2.76	2.76	2.76	2.77
47°F(8.3°C)	TC	34870	34917	34955	34956	35003	36972	37015	37052	37059	37103	39180	39231	39275	39282	39326	41541	41586	41632	41638	41690	
	S/T	0.47	0.56	0.63	0.63	0.72	0.50	0.59	0.67	0.67	0.76	0.53	0.63	0.71	0.71	0.81	0.56	0.66	0.75	0.75	0.86	
	PI	1.99	1.99	2.00	2.00	2.00	2.11	2.11	2.12	2.12	2.12	2.24	2.24	2.24	2.24	2.25	2.37	2.38	2.38	2.38	2.38	
50°F(10.0°C)	TC	34621	34667	34705	34706	34753	36707	36751	36787	36794	36838	38900	38951	38994	39002	39045	41244	41289	41334	41340	41392	
	S/T	0.48	0.56	0.64	0.64	0.72	0.51	0.59	0.67	0.67	0.77	0.54	0.63	0.71	0.71	0.81	0.57	0.67	0.76	0.76	0.86	
	PI	2.03	2.03	2.03	2.03	2.04	2.15	2.15	2.16	2.16	2.16	2.28	2.28	2.29	2.29	2.29	2.42	2.42	2.42	2.42	2.43	
59°F(15.0°C)	TC	33873	33919	33955	33957	34002	35914	35957	35992	35999	36042	38060	38109	38152	38159	38202	40353	40397	40441	40447	40498	
	S/T	0.48	0.56	0.64	0.64	0.73	0.51	0.60	0.68	0.68	0.77	0.54	0.63	0.72	0.72	0.82	0.57	0.67	0.76	0.76	0.87	
	PI	2.14	2.14	2.15	2.15	2.15	2.27	2.27	2.27	2.27	2.28	2.40	2.41	2.41	2.41	2.41	2.55	2.55	2.56	2.56	2.56	
68°F(20.0°C)	TC	33125	33170	33205	33207	33252	35121	35163	35198	35205	35246	37220	37268	37310	37316	37358	39462	39505	39548	39554	39604	
	S/T	0.49	0.58	0.66	0.66	0.75	0.52	0.61	0.69	0.69	0.79	0.55	0.65	0.74	0.74	0.84	0.59	0.69	0.78	0.78	0.89	
	PI	2.25	2.25	2.26	2.26	2.26	2.39	2.39	2.39	2.39	2.40	2.53	2.53	2.54	2.54	2.54	2.68	2.69	2.69	2.69	2.69	
77°F(25.0°C)	TC	32377	32421	32456	32457	32501	34328	34369	34403	34410	34451	36379	36427	36467	36474	36515	38571	38613	38655	38661	38709	
	S/T	0.50	0.58	0.66	0.66	0.76	0.53	0.62	0.70	0.70	0.80	0.56	0.66	0.75	0.75	0.85	0.59	0.70	0.79	0.79	0.90	
	PI	2.36	2.37	2.37	2.37	2.37	2.51	2.51	2.51	2.51	2.51	2.66	2.66	2.66	2.66	2.67	2.82	2.82	2.82	2.82	2.83	

Table 12: Cooling Performance - 36K D5CUHA + D5FUHA (Sheet 6 of 8)

1147	82°F(27.8°C)	TC	32690	32734	32770	32771	32815	34660	34702	34736	34743	34784	36731	36779	36820	36827	36868	38944	38987	39029	39035	39084	
		S/T	0.50	0.59	0.67	0.67	0.77	0.53	0.63	0.71	0.71	0.81	0.57	0.67	0.76	0.76	0.86	0.60	0.70	0.80	0.80	0.91	
		PI	2.57	2.57	2.58	2.58	2.58	2.73	2.73	2.73	2.73	2.74	2.89	2.89	2.90	2.90	2.90	3.06	3.07	3.07	3.07	3.07	
	86°F(30.0°C)	TC	33860	33906	33942	33944	33990	35901	35944	35979	35986	36029	38046	38095	38138	38145	38187	40338	40382	40426	40432	40483	
		S/T	0.51	0.60	0.68	0.68	0.78	0.54	0.64	0.72	0.72	0.82	0.57	0.67	0.77	0.77	0.87	0.61	0.71	0.81	0.81	0.92	
		PI	2.92	2.92	2.93	2.93	2.93	3.10	3.10	3.10	3.10	3.11	3.28	3.29	3.29	3.29	3.29	3.48	3.48	3.49	3.49	3.49	
	95°F(35.0°C)	TC	36493	36542	36581	36583	36632	38692	38738	38776	38784	38830	41004	41057	41103	41110	41156	43474	43522	43569	43576	43630	
		S/T	0.51	0.60	0.68	0.68	0.78	0.54	0.64	0.72	0.72	0.82	0.57	0.67	0.77	0.77	0.87	0.61	0.71	0.81	0.81	0.92	
		PI	3.71	3.71	3.72	3.72	3.72	3.93	3.94	3.94	3.94	3.95	4.17	4.17	4.18	4.18	4.18	4.42	4.42	4.43	4.43	4.43	
	104°F(40.0°C)	TC	34135	34181	34218	34219	34265	36192	36235	36271	36278	36321	38354	38404	38447	38454	38497	40665	40709	40754	40760	40811	
		S/T	0.52	0.61	0.70	0.70	0.80	0.56	0.65	0.74	0.74	0.84	0.59	0.69	0.78	0.78	0.89	0.62	0.73	0.83	0.83	0.95	
		PI	3.69	3.69	3.70	3.70	3.70	3.91	3.92	3.92	3.92	3.92	4.14	4.15	4.15	4.15	4.16	4.39	4.40	4.40	4.40	4.41	
	110°F(43.0°C)	TC	32720	32764	32799	32801	32845	34692	34733	34767	34774	34815	36764	36812	36853	36860	36901	38980	39022	39064	39070	39119	
		S/T	0.54	0.64	0.72	0.72	0.82	0.58	0.68	0.77	0.77	0.87	0.61	0.72	0.81	0.81	0.93	0.65	0.76	0.86	0.86	0.98	
		PI	3.68	3.68	3.68	3.68	3.69	3.90	3.90	3.91	3.91	3.91	4.13	4.14	4.14	4.14	4.15	4.38	4.38	4.39	4.39	4.39	
	115°F(46.0°C)	TC	27613	27650	27680	27681	27719	29277	29312	29341	29347	29381	31026	31067	31101	31107	31142	32896	32931	32967	32972	33013	
		S/T	0.55	0.64	0.73	0.73	0.83	0.58	0.68	0.78	0.78	0.88	0.62	0.72	0.82	0.82	0.94	0.65	0.77	0.87	0.87	0.99	
		PI	3.32	3.33	3.33	3.33	3.33	3.52	3.53	3.53	3.53	3.53	3.73	3.74	3.74	3.74	3.75	3.96	3.96	3.96	3.97	3.97	
	122°F(50.0°C)	TC	20804	20832	20854	20855	20883	22058	22084	22106	22110	22136	23375	23406	23432	23436	23462	24784	24811	24838	24842	24873	
		S/T	0.56	0.66	0.75	0.75	0.85	0.60	0.70	0.79	0.79	0.91	0.63	0.74	0.84	0.84	0.96	0.67	0.79	0.89	0.89	1.00	
		PI	2.85	2.85	2.85	2.85	2.86	3.02	3.02	3.03	3.03	3.03	3.20	3.20	3.21	3.21	3.21	3.39	3.40	3.40	3.40	3.40	
	1235	-22°F(-30.0°C)	TC	31277	31319	31353	31354	31397	33162	33201	33234	33241	33280	35143	35189	35228	35235	35274	37261	37301	37342	37348	37394
			S/T	0.48	0.56	0.63	0.63	0.72	0.50	0.59	0.67	0.67	0.77	0.53	0.63	0.71	0.71	0.81	0.57	0.67	0.76	0.76	0.86
			PI	2.06	2.06	2.06	2.06	2.06	2.18	2.18	2.18	2.18	2.19	2.31	2.31	2.32	2.32	2.32	2.45	2.45	2.45	2.45	2.46
-13°F(-25.0°C)		TC	33884	33929	33966	33967	34013	35926	35968	36004	36011	36054	38072	38121	38164	38171	38214	40366	40410	40454	40460	40510	
		S/T	0.48	0.56	0.64	0.64	0.73	0.51	0.60	0.68	0.68	0.77	0.54	0.63	0.72	0.72	0.82	0.57	0.67	0.76	0.76	0.87	
		PI	2.23	2.23	2.23	2.23	2.24	2.36	2.36	2.37	2.37	2.37	2.50	2.51	2.51	2.51	2.51	2.65	2.66	2.66	2.66	2.66	
-4°F(-20.0°C)		TC	36490	36539	36578	36580	36629	38689	38735	38773	38781	38827	41001	41054	41100	41107	41153	43471	43518	43566	43572	43627	
		S/T	0.48	0.57	0.64	0.64	0.73	0.51	0.60	0.68	0.68	0.78	0.54	0.64	0.72	0.72	0.82	0.57	0.67	0.77	0.77	0.87	
		PI	2.40	2.40	2.40	2.40	2.41	2.54	2.55	2.55	2.55	2.55	2.69	2.70	2.70	2.70	2.70	2.86	2.86	2.86	2.86	2.87	
0°F(-17.8°C)		TC	37648	37699	37740	37741	37792	39917	39965	40004	40012	40059	42302	42357	42404	42412	42460	44851	44900	44949	44956	45012	
		S/T	0.48	0.57	0.64	0.64	0.73	0.51	0.60	0.68	0.68	0.78	0.54	0.64	0.72	0.72	0.83	0.58	0.68	0.77	0.77	0.88	
		PI	2.47	2.48	2.48	2.48	2.48	2.62	2.63	2.63	2.63	2.63	2.78	2.78	2.79	2.79	2.79	2.95	2.95	2.95	2.95	2.96	
5°F(-15.0°C)	TC	39096	39149	39191	39193	39246	41453	41502	41543	41551	41600	43929	43986	44035	44043	44093	46576	46627	46677	46685	46743		
	S/T	0.49	0.57	0.65	0.65	0.74	0.51	0.60	0.69	0.69	0.78	0.55	0.64	0.73	0.73	0.83	0.58	0.68	0.77	0.77	0.88		
	PI	2.57	2.57	2.58	2.58	2.58	2.72	2.73	2.73	2.73	2.73	2.89	2.89	2.89	2.89	2.90	3.06	3.06	3.07	3.07	3.07		

Manufacturer reserves the right to change, at any time, specifications and designs without notice and without obligations.

Table 12: Cooling Performance - 36K D5CUHA + D5FUHA (Sheet 7 of 8)

1235	14°F(-10.0°C)	TC	34857	34904	34941	34943	34990	36958	37001	37038	37045	37089	39166	39216	39260	39267	39311	41525	41571	41616	41622	41674
		S/T	0.49	0.57	0.65	0.65	0.74	0.52	0.61	0.69	0.69	0.78	0.55	0.64	0.73	0.73	0.83	0.58	0.68	0.77	0.77	0.88
		PI	1.61	1.61	1.61	1.61	1.61	1.70	1.71	1.71	1.71	1.71	1.81	1.81	1.81	1.81	1.81	1.92	1.92	1.92	1.92	1.92
	17°F(-8.3°C)	TC	33444	33489	33525	33526	33572	35459	35501	35536	35543	35586	37578	37627	37668	37675	37718	39842	39885	39929	39935	39985
		S/T	0.49	0.57	0.65	0.65	0.74	0.52	0.61	0.69	0.69	0.79	0.55	0.64	0.73	0.73	0.83	0.58	0.68	0.78	0.78	0.88
		PI	1.29	1.29	1.29	1.29	1.29	1.36	1.37	1.37	1.37	1.37	1.45	1.45	1.45	1.45	1.45	1.53	1.54	1.54	1.54	1.54
	23°F(-5.0°C)	TC	37719	37770	37811	37812	37863	39992	40040	40079	40087	40135	42382	42437	42484	42492	42539	44935	44984	45033	45040	45096
		S/T	0.49	0.58	0.65	0.65	0.75	0.52	0.61	0.69	0.69	0.79	0.55	0.65	0.74	0.74	0.84	0.58	0.69	0.78	0.78	0.89
		PI	1.78	1.78	1.78	1.78	1.78	1.88	1.89	1.89	1.89	1.89	2.00	2.00	2.00	2.00	2.00	2.12	2.12	2.12	2.12	2.12
	35°F(1.7°C)	TC	46270	46332	46382	46384	46447	49058	49116	49165	49175	49233	51989	52057	52115	52125	52183	55122	55182	55242	55250	55319
		S/T	0.49	0.58	0.66	0.66	0.75	0.52	0.61	0.70	0.70	0.79	0.55	0.65	0.74	0.74	0.84	0.59	0.69	0.78	0.78	0.89
		PI	2.76	2.76	2.76	2.76	2.77	2.92	2.93	2.93	2.93	2.93	3.10	3.10	3.11	3.11	3.11	3.28	3.29	3.29	3.29	3.30
	41°F(5.0°C)	TC	41361	41417	41461	41463	41519	43854	43905	43949	43957	44010	46474	46534	46586	46594	46646	49274	49327	49381	49389	49450
		S/T	0.49	0.58	0.66	0.66	0.75	0.52	0.61	0.70	0.70	0.80	0.56	0.65	0.74	0.74	0.84	0.59	0.69	0.78	0.78	0.89
		PI	2.42	2.42	2.43	2.43	2.43	2.57	2.57	2.57	2.57	2.57	2.72	2.72	2.73	2.73	2.73	2.88	2.89	2.89	2.89	2.89
	47°F(8.3°C)	TC	36452	36501	36540	36542	36591	38649	38694	38733	38740	38786	40958	41011	41057	41064	41110	43425	43473	43520	43527	43581
		S/T	0.50	0.58	0.66	0.66	0.75	0.53	0.62	0.70	0.70	0.80	0.56	0.65	0.74	0.74	0.85	0.59	0.69	0.79	0.79	0.90
		PI	2.08	2.08	2.09	2.09	2.09	2.21	2.21	2.21	2.21	2.22	2.34	2.34	2.35	2.35	2.35	2.48	2.48	2.49	2.49	2.49
	50°F(10.0°C)	TC	36191	36240	36279	36281	36330	38372	38418	38456	38463	38509	40665	40718	40763	40771	40816	43115	43162	43209	43216	43269
		S/T	0.50	0.58	0.66	0.66	0.76	0.53	0.62	0.70	0.70	0.80	0.56	0.66	0.75	0.75	0.85	0.59	0.70	0.79	0.79	0.90
		PI	2.12	2.12	2.13	2.13	2.13	2.25	2.25	2.25	2.25	2.26	2.38	2.39	2.39	2.39	2.39	2.53	2.53	2.53	2.53	2.54
	59°F(15.0°C)	TC	35409	35457	35495	35497	35545	37543	37588	37625	37632	37677	39786	39838	39883	39890	39934	42184	42230	42275	42282	42335
		S/T	0.50	0.59	0.67	0.67	0.76	0.53	0.62	0.71	0.71	0.81	0.56	0.66	0.75	0.75	0.86	0.60	0.70	0.80	0.80	0.91
		PI	2.24	2.24	2.24	2.24	2.25	2.37	2.37	2.38	2.38	2.38	2.51	2.52	2.52	2.52	2.52	2.67	2.67	2.67	2.67	2.67
68°F(20.0°C)	TC	34628	34674	34712	34713	34760	36715	36758	36794	36802	36845	38908	38959	39002	39009	39053	41252	41297	41342	41349	41400	
	S/T	0.51	0.60	0.69	0.69	0.78	0.54	0.64	0.73	0.73	0.83	0.58	0.68	0.77	0.77	0.88	0.61	0.72	0.82	0.82	0.93	
	PI	2.35	2.36	2.36	2.36	2.36	2.50	2.50	2.50	2.50	2.50	2.64	2.65	2.65	2.65	2.65	2.80	2.81	2.81	2.81	2.81	
77°F(25.0°C)	TC	33846	33891	33928	33929	33975	35886	35928	35964	35971	36013	38030	38079	38121	38128	38171	40321	40365	40409	40415	40465	
	S/T	0.52	0.61	0.69	0.69	0.79	0.55	0.65	0.74	0.74	0.84	0.59	0.69	0.78	0.78	0.89	0.62	0.73	0.83	0.83	0.94	
	PI	2.47	2.47	2.48	2.48	2.48	2.62	2.62	2.62	2.63	2.63	2.78	2.78	2.78	2.78	2.79	2.94	2.95	2.95	2.95	2.95	
82°F(27.8°C)	TC	34173	34219	34256	34258	34304	36233	36276	36311	36319	36362	38397	38447	38490	38497	38540	40711	40755	40800	40806	40857	
	S/T	0.53	0.62	0.70	0.70	0.80	0.56	0.66	0.75	0.75	0.85	0.59	0.70	0.79	0.79	0.90	0.63	0.74	0.84	0.84	0.95	
	PI	2.69	2.69	2.69	2.69	2.70	2.85	2.85	2.86	2.86	2.86	3.02	3.02	3.03	3.03	3.03	3.20	3.21	3.21	3.21	3.21	
86°F(30.0°C)	TC	35396	35444	35482	35484	35532	37530	37574	37611	37619	37663	39772	39823	39868	39875	39920	42168	42214	42260	42266	42319	
	S/T	0.53	0.63	0.71	0.71	0.81	0.57	0.66	0.75	0.75	0.86	0.60	0.70	0.80	0.80	0.91	0.64	0.75	0.85	0.85	0.97	
	PI	3.05	3.06	3.06	3.06	3.07	3.24	3.24	3.24	3.24	3.25	3.25	3.43	3.44	3.44	3.44	3.64	3.64	3.65	3.65	3.65	

Manufacturer reserves the right to change, at any time, specifications and designs without notice and without obligations.

Table 12: Cooling Performance - 36K D5CUHA + D5FUHA (Sheet 8 of 8)

1235	95°F(35.0°C)	TC	38148	38200	38241	38242	38294	40447	40495	40535	40543	40591	42864	42919	42967	42975	43023	45446	45496	45545	45552	45609
		S/T	0.53	0.63	0.71	0.71	0.81	0.57	0.66	0.75	0.75	0.86	0.60	0.70	0.80	0.80	0.91	0.64	0.75	0.85	0.85	0.97
		PI	3.88	3.88	3.89	3.89	3.89	4.11	4.12	4.12	4.12	4.13	4.36	4.36	4.37	4.37	4.37	4.37	4.62	4.62	4.63	4.63
	104°F(40.0°C)	TC	35683	35731	35770	35771	35820	37834	37878	37916	37923	37968	40094	40146	40191	40198	40243	42510	42556	42602	42609	42662
		S/T	0.55	0.64	0.73	0.73	0.83	0.58	0.68	0.77	0.77	0.88	0.62	0.72	0.82	0.82	0.93	0.65	0.76	0.87	0.87	0.99
		PI	3.86	3.86	3.86	3.87	3.87	4.09	4.09	4.10	4.10	4.10	4.33	4.34	4.34	4.34	4.35	4.59	4.60	4.60	4.60	4.61
	110°F(43.0°C)	TC	34204	34250	34287	34289	34335	36265	36308	36344	36351	36395	38432	38482	38525	38532	38575	40748	40792	40836	40843	40894
		S/T	0.57	0.67	0.76	0.76	0.86	0.60	0.71	0.80	0.80	0.91	0.64	0.75	0.85	0.85	0.97	0.68	0.79	0.90	0.90	1.00
		PI	3.84	3.85	3.85	3.85	3.86	4.07	4.08	4.08	4.08	4.09	4.32	4.32	4.33	4.33	4.33	4.58	4.58	4.59	4.59	4.59
	115°F(46.0°C)	TC	28866	28904	28936	28937	28976	30605	30641	30672	30678	30714	32434	32476	32512	32518	32554	34388	34425	34463	34468	34511
		S/T	0.57	0.67	0.77	0.77	0.87	0.61	0.71	0.81	0.81	0.92	0.65	0.76	0.86	0.86	0.98	0.68	0.80	0.91	0.91	1.00
		PI	3.47	3.48	3.48	3.48	3.48	3.68	3.69	3.69	3.69	3.69	3.90	3.91	3.91	3.91	3.92	4.14	4.14	4.14	4.15	4.15
	122°F(50.0°C)	TC	21748	21777	21800	21801	21831	23058	23085	23108	23113	23140	24436	24467	24495	24499	24527	25908	25936	25964	25968	26001
		S/T	0.59	0.69	0.78	0.78	0.89	0.62	0.73	0.83	0.83	0.95	0.66	0.77	0.88	0.88	1.00	0.70	0.82	0.93	0.93	1.00
		PI	2.98	2.98	2.98	2.98	2.99	3.16	3.16	3.16	3.16	3.17	3.34	3.35	3.35	3.35	3.36	3.55	3.55	3.55	3.55	3.56

Table 13: Heating Performance - 36K D5CUHA + D5FUHA (Sheet 1 of 2)

AIRFLOW (CFM)	HEATING PERFORMANCE AT INDOOR DRY BULB TEMPERATURE										
	OUTDOOR DB °F (°C)	TC: TOTAL HEATING CAPACITY (BTU/HR)					PI: POWER INPUT (KW)				
		INDOOR CONDITIONS(DB °F)					INDOOR CONDITIONS(DB °F)				
		60.8°F(16.0°C)	68°F(20.0°C)	70°F(21.1°C)	71.6°F(22.0°C)	75.2°F(24.0°C)	60.8°F(16.0°C)	68°F(20.0°C)	70°F(21.1°C)	71.6°F(22.0°C)	75.2°F(24.0°C)
971	-22°F(-30.0°C)	23936	23458	23340	23893	23678	4.98	5.02	5.03	5.04	5.07
	-13°F(-25.0°C)	31712	31078	30923	30437	30163	5.13	5.17	5.18	5.19	5.21
	-4°F(-20.0°C)	33369	32702	32538	32028	31740	5.09	5.13	5.14	5.15	5.17
	0°F(-17.8°C)	33874	33197	33031	32513	32220	5.12	5.16	5.17	5.18	5.20
	5°F(-15.0°C)	34506	33816	33647	33119	32821	5.15	5.19	5.20	5.21	5.24
	14°F(-10.0°C)	37699	36945	36760	36184	35858	5.25	5.29	5.30	5.31	5.33
	17°F(-8.3°C)	38764	37988	37798	37205	36870	5.28	5.32	5.33	5.34	5.37
	22°F(-5.6°C)	39578	38786	38592	37987	37645	5.08	5.12	5.13	5.14	5.16
	27°F(-2.8°C)	40392	39584	39386	38768	38419	4.87	4.91	4.92	4.93	4.95
	32°F(-0.0°C)	41206	40382	40180	39550	39194	4.67	4.70	4.71	4.72	4.74
	35°F(1.7°C)	41695	40861	40657	40019	39659	4.54	4.58	4.59	4.60	4.62
	37°F(2.8°C)	41799	40963	40758	40119	39758	4.46	4.50	4.50	4.51	4.53
	42°F(5.6°C)	42059	41218	41012	40369	40005	4.25	4.28	4.29	4.30	4.32
	44.6°F(7.0°C)	42164	41320	41114	40469	40104	4.17	4.20	4.21	4.22	4.23
	47°F(8.3°C)	42320	41473	41266	40619	40253	4.04	4.07	4.08	4.09	4.10
	52°F(11.1°C)	41588	40756	40553	39916	39557	3.67	3.70	3.71	3.71	3.73
	57°F(13.9°C)	40857	40040	39839	39214	38861	3.30	3.32	3.33	3.34	3.35
59°F(15.0°C)	40564	39753	39554	38933	38583	3.15	3.17	3.18	3.19	3.20	
62°F(16.7°C)	40125	39323	39126	38512	38165	2.93	2.95	2.96	2.96	2.97	
64.4°F(18.0°C)	39833	39036	38841	38231	37887	2.78	2.80	2.81	2.81	2.82	
1059	-22°F(-30.0°C)	25518	25007	24882	25125	24899	5.03	5.08	5.09	5.10	5.12
	-13°F(-25.0°C)	33151	32488	32325	32006	31718	5.18	5.22	5.23	5.24	5.26
	-4°F(-20.0°C)	34883	34185	34014	33679	33376	5.14	5.18	5.19	5.20	5.22
	0°F(-17.8°C)	35411	34703	34529	34189	33881	5.17	5.21	5.22	5.23	5.25
	5°F(-15.0°C)	36071	35350	35173	34826	34513	5.20	5.25	5.26	5.27	5.29
	14°F(-10.0°C)	39409	38621	38428	38049	37706	5.30	5.34	5.35	5.37	5.39
	17°F(-8.3°C)	40522	39711	39513	39123	38771	5.33	5.38	5.39	5.40	5.42
	22°F(-5.6°C)	41373	40546	40343	39945	39585	5.13	5.17	5.18	5.19	5.21
	27°F(-2.8°C)	42224	41380	41173	40767	40400	4.92	4.96	4.97	4.98	5.00
	32°F(-0.0°C)	43075	42214	42003	41589	41214	4.71	4.75	4.76	4.77	4.79
	35°F(1.7°C)	43586	42714	42501	42082	41703	4.59	4.63	4.64	4.65	4.66
	37°F(2.8°C)	43695	42821	42607	42187	41807	4.50	4.54	4.55	4.56	4.58
	42°F(5.6°C)	43967	43088	42872	42450	42068	4.29	4.33	4.34	4.34	4.36
	44.6°F(7.0°C)	44076	43195	42979	42555	42172	4.21	4.24	4.25	4.26	4.28
	47°F(8.3°C)	44239	43355	43138	42712	42328	4.08	4.11	4.12	4.13	4.15
	52°F(11.1°C)	43475	42605	42392	41974	41596	3.71	3.74	3.74	3.75	3.77
	57°F(13.9°C)	42710	41856	41647	41236	40865	3.33	3.36	3.36	3.37	3.38
59°F(15.0°C)	42404	41556	41348	40940	40572	3.18	3.21	3.21	3.22	3.23	
62°F(16.7°C)	41945	41106	40901	40497	40133	2.96	2.98	2.98	2.99	3.00	
64.4°F(18.0°C)	41639	40807	40603	40202	39840	2.81	2.83	2.83	2.84	2.85	

Table 13: Heating Performance - 36K D5CUHA + D5FUHA (Sheet 2 of 2)

1147	-22°F(-30.0°C)	27203	26659	26526	26420	26182	5.09	5.13	5.14	5.15	5.17
	-13°F(-25.0°C)	34655	33961	33792	33656	33354	5.23	5.28	5.29	5.30	5.32
	-4°F(-20.0°C)	36465	35736	35557	35415	35096	5.19	5.23	5.25	5.26	5.28
	0°F(-17.8°C)	37017	36277	36096	35951	35628	5.22	5.26	5.27	5.28	5.31
	5°F(-15.0°C)	37707	36953	36768	36621	36292	5.26	5.30	5.31	5.32	5.34
	14°F(-10.0°C)	41197	40373	40171	40010	39650	5.35	5.40	5.41	5.42	5.44
	17°F(-8.3°C)	42360	41513	41305	41140	40770	5.39	5.43	5.44	5.45	5.47
	22°F(-5.6°C)	43250	42385	42173	42004	41626	5.18	5.22	5.23	5.24	5.26
	27°F(-2.8°C)	44140	43257	43041	42868	42483	4.97	5.01	5.02	5.03	5.05
	32°F(-0.0°C)	45029	44129	43908	43733	43339	4.76	4.80	4.81	4.82	4.84
	35°F(1.7°C)	45563	44652	44429	44251	43853	4.64	4.67	4.68	4.69	4.71
	37°F(2.8°C)	45677	44764	44540	44362	43962	4.55	4.59	4.60	4.61	4.62
	42°F(5.6°C)	45962	45042	44817	44638	44236	4.34	4.37	4.38	4.39	4.41
	44.6°F(7.0°C)	46075	45154	44928	44748	44346	4.25	4.28	4.29	4.30	4.32
	47°F(8.3°C)	46246	45321	45095	44914	44510	4.12	4.15	4.16	4.17	4.19
	52°F(11.1°C)	45447	44538	44315	44138	43741	3.74	3.77	3.78	3.79	3.80
	57°F(13.9°C)	44647	43754	43536	43361	42971	3.36	3.39	3.40	3.40	3.42
	59°F(15.0°C)	44328	43441	43224	43051	42663	3.21	3.24	3.24	3.25	3.26
	62°F(16.7°C)	43848	42971	42756	42585	42202	2.98	3.01	3.02	3.02	3.03
64.4°F(18.0°C)	43528	42658	42444	42275	41894	2.83	2.86	2.86	2.87	2.88	
1235	-22°F(-30.0°C)	28437	27869	27729	27618	27370	5.14	5.18	5.19	5.20	5.22
	-13°F(-25.0°C)	36226	35502	35324	35183	34866	5.29	5.33	5.34	5.35	5.37
	-4°F(-20.0°C)	38120	37357	37170	37022	36688	5.25	5.29	5.30	5.31	5.33
	0°F(-17.8°C)	38696	37923	37733	37582	37244	5.27	5.32	5.33	5.34	5.36
	5°F(-15.0°C)	39418	38629	38436	38282	37938	5.31	5.35	5.36	5.37	5.40
	14°F(-10.0°C)	43066	42204	41993	41825	41449	5.41	5.45	5.46	5.47	5.50
	17°F(-8.3°C)	44281	43396	43179	43006	42619	5.44	5.49	5.50	5.51	5.53
	22°F(-5.6°C)	45212	44307	44086	43910	43514	5.23	5.27	5.28	5.29	5.32
	27°F(-2.8°C)	46142	45219	44993	44813	44410	5.02	5.06	5.07	5.08	5.10
	32°F(-0.0°C)	47072	46131	45900	45716	45305	4.81	4.85	4.86	4.87	4.89
	35°F(1.7°C)	47630	46678	46444	46258	45842	4.68	4.72	4.73	4.74	4.76
	37°F(2.8°C)	47749	46794	46560	46374	45957	4.60	4.63	4.64	4.65	4.67
	42°F(5.6°C)	48047	47086	46850	46663	46243	4.38	4.41	4.42	4.43	4.45
	44.6°F(7.0°C)	48166	47202	46966	46778	46357	4.29	4.33	4.34	4.34	4.36
	47°F(8.3°C)	48344	47377	47140	46952	46529	4.16	4.20	4.21	4.21	4.23
	52°F(11.1°C)	47508	46558	46325	46140	45725	3.78	3.81	3.82	3.83	3.84
	57°F(13.9°C)	46673	45739	45510	45328	44920	3.40	3.43	3.43	3.44	3.45
	59°F(15.0°C)	46338	45412	45185	45004	44599	3.24	3.27	3.28	3.28	3.30
	62°F(16.7°C)	45837	44920	44696	44517	44116	3.02	3.04	3.05	3.05	3.06
64.4°F(18.0°C)	45503	44593	44370	44192	43794	2.86	2.89	2.89	2.90	2.91	

Table 14: Cooling Performance - 48K D5CUHA + D5FUHA (Sheet 1 of 8)

AIRFLOW (CFM)	OUTDOOR DB °F (°C)	ID WB(°F) ID DB(°F)	60.8°F(16.0°C)					64.4°F(18.0°C)					67°F(19.4°C)					71.6°F(22.0°C)				
			73.4°F(23.0°C)	77.0°F(25.0°C)	80.0°F(26.7°C)	80.6°F(27.0°C)	84.2°F(29.0°C)	73.4°F(23.0°C)	77.0°F(25.0°C)	80.0°F(26.7°C)	80.6°F(27.0°C)	84.2°F(29.0°C)	73.4°F(23.0°C)	77.0°F(25.0°C)	80.0°F(26.7°C)	80.6°F(27.0°C)	84.2°F(29.0°C)	73.4°F(23.0°C)	77.0°F(25.0°C)	80.0°F(26.7°C)	80.6°F(27.0°C)	84.2°F(29.0°C)
			1088	-22°F(-30.0°C)	TC	28247	28285	28316	28317	28355	29949	29985	30014	30020	30056	31739	31780	31815	31821	31857	33651	33688
S/T	0.38	0.45			0.51	0.51	0.58	0.40	0.47	0.54	0.54	0.61	0.43	0.50	0.57	0.57	0.65	0.45	0.53	0.60	0.60	0.69
PI	1.15	1.15			1.15	1.15	1.15	1.21	1.22	1.22	1.22	1.22	1.29	1.29	1.29	1.29	1.29	1.36	1.37	1.37	1.37	1.37
-13°F(-25.0°C)	TC	30601		30642	30675	30677	30718	32445	32484	32516	32522	32561	34384	34428	34467	34473	34511	36455	36495	36535	36540	36586
	S/T	0.38		0.45	0.51	0.51	0.58	0.41	0.48	0.54	0.54	0.62	0.43	0.50	0.57	0.57	0.65	0.46	0.53	0.61	0.61	0.69
	PI	1.24		1.24	1.24	1.24	1.25	1.32	1.32	1.32	1.32	1.32	1.39	1.40	1.40	1.40	1.40	1.48	1.48	1.48	1.48	1.48
-4°F(-20.0°C)	TC	32955		32999	33035	33036	33081	34941	34982	35017	35024	35065	37028	37077	37118	37125	37166	39259	39302	39345	39351	39400
	S/T	0.38		0.45	0.51	0.51	0.59	0.41	0.48	0.54	0.54	0.62	0.43	0.51	0.58	0.58	0.66	0.46	0.54	0.61	0.61	0.70
	PI	1.34		1.34	1.34	1.34	1.34	1.42	1.42	1.42	1.42	1.42	1.50	1.50	1.51	1.51	1.51	1.59	1.59	1.60	1.60	1.60
0°F(-17.8°C)	TC	34001		34047	34083	34085	34131	36050	36093	36128	36136	36179	38204	38254	38296	38303	38346	40506	40550	40594	40600	40651
	S/T	0.39		0.45	0.51	0.51	0.59	0.41	0.48	0.55	0.55	0.62	0.43	0.51	0.58	0.58	0.66	0.46	0.54	0.61	0.61	0.70
	PI	1.38		1.38	1.38	1.38	1.38	1.46	1.46	1.47	1.47	1.47	1.55	1.55	1.55	1.55	1.56	1.64	1.64	1.65	1.65	1.65
5°F(-15.0°C)	TC	35309		35356	35394	35396	35444	37437	37481	37518	37525	37570	39673	39725	39769	39777	39821	42064	42109	42155	42162	42214
	S/T	0.39		0.46	0.52	0.52	0.59	0.41	0.48	0.55	0.55	0.63	0.44	0.51	0.58	0.58	0.66	0.46	0.54	0.62	0.62	0.70
	PI	1.43		1.43	1.44	1.44	1.44	1.52	1.52	1.52	1.52	1.52	1.61	1.61	1.61	1.61	1.62	1.71	1.71	1.71	1.71	1.71
14°F(-10.0°C)	TC	36392		36441	36480	36482	36531	38585	38631	38669	38677	38723	40890	40943	40989	40997	41042	43354	43401	43448	43455	43509
	S/T	0.39		0.46	0.52	0.52	0.59	0.41	0.48	0.55	0.55	0.63	0.44	0.51	0.58	0.58	0.66	0.46	0.54	0.62	0.62	0.70
	PI	1.92		1.92	1.92	1.92	1.93	2.04	2.04	2.04	2.04	2.04	2.16	2.16	2.16	2.16	2.17	2.29	2.29	2.29	2.29	2.30
17°F(-8.3°C)	TC	36753		36802	36842	36844	36893	38968	39014	39053	39060	39107	41296	41350	41396	41403	41450	43784	43832	43879	43886	43941
	S/T	0.39		0.46	0.52	0.52	0.59	0.41	0.48	0.55	0.55	0.63	0.44	0.51	0.58	0.58	0.67	0.46	0.54	0.62	0.62	0.71
	PI	2.08		2.09	2.09	2.09	2.09	2.21	2.21	2.21	2.21	2.22	2.34	2.34	2.35	2.35	2.35	2.48	2.48	2.49	2.49	2.49
23°F(-5.0°C)	TC	38880		38932	38974	38976	39029	41223	41272	41313	41321	41370	43686	43743	43792	43800	43849	46318	46369	46419	46426	46484
	S/T	0.39		0.46	0.52	0.52	0.60	0.42	0.49	0.55	0.55	0.63	0.44	0.52	0.59	0.59	0.67	0.47	0.55	0.62	0.62	0.71
	PI	2.42		2.42	2.42	2.42	2.43	2.56	2.57	2.57	2.57	2.57	2.72	2.72	2.72	2.72	2.73	2.88	2.88	2.89	2.89	2.89
35°F(1.7°C)	TC	43135	43193	43239	43241	43299	45734	45788	45833	45842	45897	48466	48529	48583	48592	48647	51387	51442	51498	51506	51571	
	S/T	0.39	0.46	0.53	0.53	0.60	0.42	0.49	0.56	0.56	0.63	0.44	0.52	0.59	0.59	0.67	0.47	0.55	0.63	0.63	0.71	
	PI	3.09	3.10	3.10	3.10	3.10	3.28	3.28	3.29	3.29	3.29	3.47	3.48	3.48	3.48	3.49	3.68	3.69	3.69	3.69	3.70	
41°F(5.0°C)	TC	41422	41478	41522	41524	41580	43918	43970	44014	44022	44074	46542	46602	46654	46663	46715	49346	49400	49454	49461	49523	
	S/T	0.39	0.46	0.53	0.53	0.60	0.42	0.49	0.56	0.56	0.64	0.44	0.52	0.59	0.59	0.67	0.47	0.55	0.63	0.63	0.71	
	PI	2.92	2.93	2.93	2.93	2.93	3.10	3.10	3.11	3.11	3.11	3.28	3.29	3.29	3.29	3.30	3.48	3.49	3.49	3.49	3.49	
47°F(8.3°C)	TC	39709	39763	39805	39807	39861	42102	42152	42194	42202	42252	44618	44675	44725	44734	44784	47306	47357	47409	47416	47475	
	S/T	0.40	0.46	0.53	0.53	0.60	0.42	0.49	0.56	0.56	0.64	0.44	0.52	0.59	0.59	0.68	0.47	0.55	0.63	0.63	0.72	
	PI	2.75	2.76	2.76	2.76	2.76	2.92	2.92	2.93	2.93	2.93	3.09	3.10	3.10	3.10	3.11	3.28	3.28	3.29	3.29	3.29	

Manufacturer reserves the right to change, at any time, specifications and designs without notice and without obligations.

Table 14: Cooling Performance - 48K D5CUHA + D5FUHA (Sheet 2 of 8)

1088	50°F(10.0°C)	TC	39061	39113	39155	39157	39210	41415	41464	41505	41513	41562	43889	43946	43995	44003	44052	46533	46584	46635	46642	46700	
		S/T	0.40	0.47	0.53	0.53	0.60	0.42	0.49	0.56	0.56	0.64	0.64	0.45	0.52	0.60	0.60	0.68	0.47	0.56	0.63	0.63	0.72
		PI	2.66	2.66	2.67	2.67	2.67	2.82	2.82	2.83	2.83	2.83	2.83	2.99	2.99	3.00	3.00	3.00	3.17	3.17	3.18	3.18	3.18
	59°F(15.0°C)	TC	37116	37165	37206	37207	37257	39352	39399	39438	39446	39492	41703	41758	41804	41812	41859	44216	44264	44312	44319	44374	
		S/T	0.40	0.47	0.53	0.53	0.61	0.42	0.50	0.57	0.57	0.64	0.45	0.53	0.60	0.60	0.68	0.48	0.56	0.63	0.63	0.72	
		PI	2.38	2.38	2.39	2.39	2.39	2.52	2.53	2.53	2.53	2.53	2.67	2.68	2.68	2.68	2.68	2.84	2.84	2.84	2.84	2.85	
	68°F(20.0°C)	TC	35170	35218	35256	35257	35305	37290	37334	37371	37378	37423	39518	39569	39613	39621	39665	41899	41944	41990	41997	42049	
		S/T	0.41	0.48	0.55	0.55	0.62	0.44	0.51	0.58	0.58	0.66	0.46	0.54	0.61	0.61	0.70	0.49	0.57	0.65	0.65	0.74	
		PI	2.10	2.10	2.10	2.10	2.11	2.23	2.23	2.23	2.23	2.23	2.36	2.36	2.36	2.37	2.37	2.50	2.50	2.51	2.51	2.51	
	77°F(25.0°C)	TC	33225	33270	33306	33307	33352	35228	35269	35304	35311	35353	37332	37381	37422	37429	37471	39582	39625	39668	39674	39723	
		S/T	0.42	0.49	0.55	0.55	0.63	0.44	0.52	0.59	0.59	0.67	0.47	0.55	0.62	0.62	0.71	0.50	0.58	0.66	0.66	0.75	
		PI	1.82	1.82	1.82	1.82	1.83	1.93	1.93	1.93	1.93	1.94	2.04	2.05	2.05	2.05	2.05	2.17	2.17	2.17	2.17	2.18	
	82°F(27.8°C)	TC	33148	33193	33229	33230	33275	35146	35188	35222	35229	35271	37246	37294	37336	37343	37384	39490	39533	39576	39582	39631	
		S/T	0.42	0.49	0.56	0.56	0.64	0.45	0.52	0.60	0.60	0.68	0.47	0.56	0.63	0.63	0.72	0.50	0.59	0.67	0.67	0.76	
		PI	1.95	1.95	1.95	1.95	1.96	2.07	2.07	2.07	2.07	2.07	2.19	2.19	2.19	2.20	2.20	2.32	2.32	2.33	2.33	2.33	
	86°F(30.0°C)	TC	34354	34400	34437	34438	34485	36424	36467	36503	36510	36554	38600	38650	38693	38700	38744	40926	40970	41015	41021	41072	
		S/T	0.43	0.50	0.57	0.57	0.65	0.45	0.53	0.60	0.60	0.69	0.48	0.56	0.64	0.64	0.73	0.51	0.60	0.68	0.68	0.77	
		PI	2.41	2.41	2.42	2.42	2.42	2.56	2.56	2.56	2.56	2.57	2.71	2.71	2.72	2.72	2.72	2.87	2.88	2.88	2.88	2.88	
	95°F(35.0°C)	TC	37065	37115	37155	37157	37207	39299	39345	39384	39392	39439	41647	41701	41747	41755	41802	44156	44204	44252	44259	44314	
		S/T	0.43	0.50	0.57	0.57	0.65	0.45	0.53	0.60	0.60	0.69	0.48	0.56	0.64	0.64	0.73	0.51	0.60	0.68	0.68	0.77	
		PI	3.45	3.46	3.46	3.46	3.47	3.66	3.67	3.67	3.67	3.67	3.88	3.89	3.89	3.89	3.89	4.11	4.12	4.12	4.12	4.13	
	104°F(40.0°C)	TC	34088	34134	34171	34172	34218	36142	36185	36221	36228	36271	38302	38351	38394	38401	38444	40609	40654	40698	40704	40755	
		S/T	0.44	0.51	0.58	0.58	0.66	0.46	0.54	0.62	0.62	0.70	0.49	0.58	0.65	0.65	0.75	0.52	0.61	0.69	0.69	0.79	
		PI	3.51	3.52	3.52	3.52	3.53	3.73	3.73	3.73	3.74	3.74	3.95	3.95	3.96	3.96	3.96	4.19	4.19	4.20	4.20	4.20	
110°F(43.0°C)	TC	32302	32345	32380	32382	32425	34249	34289	34323	34330	34371	36295	36342	36382	36389	36430	38482	38523	38565	38571	38619		
	S/T	0.45	0.53	0.60	0.60	0.69	0.48	0.56	0.64	0.64	0.73	0.51	0.60	0.68	0.68	0.77	0.54	0.63	0.72	0.72	0.82		
	PI	3.55	3.56	3.56	3.56	3.56	3.77	3.77	3.77	3.77	3.78	3.99	4.00	4.00	4.00	4.01	4.23	4.24	4.24	4.24	4.25		
115°F(46.0°C)	TC	28421	28460	28490	28492	28530	30134	30170	30200	30206	30241	31935	31976	32012	32018	32053	33859	33895	33932	33938	33980		
	S/T	0.46	0.54	0.61	0.61	0.70	0.49	0.57	0.65	0.65	0.74	0.52	0.60	0.69	0.69	0.78	0.55	0.64	0.73	0.73	0.83		
	PI	3.32	3.32	3.32	3.32	3.33	3.51	3.52	3.52	3.52	3.53	3.72	3.73	3.73	3.73	3.74	3.95	3.95	3.96	3.96	3.96		
122°F(50.0°C)	TC	23247	23279	23304	23305	23336	24648	24677	24702	24707	24736	26121	26155	26184	26189	26218	27695	27725	27755	27759	27794		
	S/T	0.47	0.55	0.63	0.63	0.71	0.50	0.58	0.66	0.66	0.76	0.53	0.62	0.70	0.70	0.80	0.56	0.66	0.74	0.74	0.85		
	PI	3.00	3.00	3.01	3.01	3.01	3.18	3.19	3.19	3.19	3.19	3.37	3.38	3.38	3.38	3.38	3.57	3.58	3.58	3.58	3.59		
1265	-22°F(-30.0°C)	TC	30447	30488	30520	30522	30563	32281	32320	32352	32358	32396	34210	34255	34293	34299	34337	36271	36311	36350	36356	36401	
		S/T	0.41	0.48	0.55	0.55	0.62	0.43	0.51	0.58	0.58	0.66	0.46	0.54	0.61	0.61	0.70	0.49	0.57	0.65	0.65	0.74	
		PI	1.23	1.24	1.24	1.24	1.24	1.31	1.31	1.31	1.31	1.31	1.39	1.39	1.39	1.39	1.39	1.47	1.47	1.47	1.47	1.48	

Manufacturer reserves the right to change, at any time, specifications and designs without notice and without obligations.

Table 14: Cooling Performance - 48K D5CUHA + D5FUHA (Sheet 3 of 8)

1265	-13°F(-25.0°C)	TC	32984	33028	33064	33065	33110	34972	35013	35048	35054	35096	37061	37109	37150	37157	37199	39294	39337	39379	39386	39435
		S/T	0.41	0.48	0.55	0.55	0.63	0.44	0.51	0.58	0.58	0.66	0.46	0.54	0.62	0.62	0.70	0.49	0.58	0.66	0.66	0.75
		PI	1.34	1.34	1.34	1.34	1.34	1.42	1.42	1.42	1.42	1.42	1.50	1.51	1.51	1.51	1.51	1.59	1.60	1.60	1.60	1.60
	-4°F(-20.0°C)	TC	35521	35569	35607	35609	35657	37662	37706	37744	37751	37796	39912	39964	40008	40016	40060	42317	42363	42409	42415	42468
		S/T	0.41	0.49	0.55	0.55	0.63	0.44	0.52	0.59	0.59	0.67	0.47	0.55	0.62	0.62	0.71	0.49	0.58	0.66	0.66	0.75
		PI	1.44	1.44	1.44	1.44	1.45	1.53	1.53	1.53	1.53	1.53	1.62	1.62	1.62	1.62	1.62	1.72	1.72	1.72	1.72	1.72
	0°F(-17.8°C)	TC	36649	36698	36737	36739	36789	38857	38903	38942	38949	38996	41179	41232	41278	41286	41332	43660	43707	43755	43762	43816
		S/T	0.42	0.49	0.55	0.55	0.63	0.44	0.52	0.59	0.59	0.67	0.47	0.55	0.62	0.62	0.71	0.50	0.58	0.66	0.66	0.75
		PI	1.49	1.49	1.49	1.49	1.49	1.58	1.58	1.58	1.58	1.58	1.67	1.67	1.67	1.67	1.68	1.77	1.77	1.77	1.78	1.78
	5°F(-15.0°C)	TC	38058	38109	38150	38152	38204	40352	40400	40440	40447	40496	42763	42818	42866	42874	42922	45339	45388	45438	45445	45501
		S/T	0.42	0.49	0.56	0.56	0.64	0.44	0.52	0.59	0.59	0.67	0.47	0.55	0.63	0.63	0.71	0.50	0.58	0.66	0.66	0.76
		PI	1.54	1.55	1.55	1.55	1.55	1.64	1.64	1.64	1.64	1.64	1.73	1.74	1.74	1.74	1.74	1.84	1.84	1.84	1.84	1.85
	14°F(-10.0°C)	TC	39226	39278	39321	39323	39376	41590	41639	41680	41688	41738	44074	44132	44181	44189	44238	46730	46781	46832	46839	46897
		S/T	0.42	0.49	0.56	0.56	0.64	0.44	0.52	0.59	0.59	0.68	0.47	0.55	0.63	0.63	0.72	0.50	0.59	0.67	0.67	0.76
		PI	2.07	2.07	2.07	2.07	2.08	2.19	2.20	2.20	2.20	2.20	2.33	2.33	2.33	2.33	2.33	2.47	2.47	2.47	2.47	2.47
	17°F(-8.3°C)	TC	39615	39668	39711	39713	39766	42002	42052	42094	42102	42152	44512	44569	44619	44627	44677	47194	47245	47296	47304	47363
		S/T	0.42	0.49	0.56	0.56	0.64	0.45	0.52	0.59	0.59	0.68	0.47	0.55	0.63	0.63	0.72	0.50	0.59	0.67	0.67	0.76
		PI	2.24	2.25	2.25	2.25	2.25	2.38	2.38	2.38	2.39	2.39	2.52	2.53	2.53	2.53	2.53	2.67	2.68	2.68	2.68	2.68
	23°F(-5.0°C)	TC	41908	41964	42009	42011	42068	44433	44486	44530	44539	44591	47088	47149	47202	47210	47263	49925	49979	50034	50041	50104
		S/T	0.42	0.50	0.56	0.56	0.64	0.45	0.53	0.60	0.60	0.68	0.47	0.56	0.63	0.63	0.72	0.50	0.59	0.67	0.67	0.76
		PI	2.61	2.61	2.61	2.61	2.62	2.76	2.77	2.77	2.77	2.77	2.93	2.93	2.94	2.94	2.94	3.11	3.11	3.11	3.11	3.12
35°F(1.7°C)	TC	46493	46556	46606	46608	46671	49295	49354	49402	49412	49471	52240	52308	52366	52376	52435	55388	55448	55508	55517	55586	
	S/T	0.42	0.50	0.57	0.57	0.65	0.45	0.53	0.60	0.60	0.68	0.48	0.56	0.64	0.64	0.72	0.51	0.59	0.67	0.67	0.77	
	PI	3.33	3.34	3.34	3.34	3.35	3.53	3.54	3.54	3.54	3.55	3.74	3.75	3.75	3.75	3.76	3.97	3.97	3.98	3.98	3.98	
41°F(5.0°C)	TC	44647	44707	44755	44757	44818	47338	47394	47441	47450	47506	50166	50231	50287	50297	50353	53189	53247	53304	53313	53379	
	S/T	0.43	0.50	0.57	0.57	0.65	0.45	0.53	0.60	0.60	0.69	0.48	0.56	0.64	0.64	0.73	0.51	0.59	0.68	0.68	0.77	
	PI	3.15	3.15	3.16	3.16	3.16	3.34	3.34	3.35	3.35	3.35	3.54	3.54	3.55	3.55	3.55	3.75	3.76	3.76	3.76	3.77	
47°F(8.3°C)	TC	42801	42859	42905	42907	42965	45381	45434	45479	45488	45542	48092	48154	48208	48217	48271	50989	51045	51100	51108	51172	
	S/T	0.43	0.50	0.57	0.57	0.65	0.45	0.53	0.60	0.60	0.69	0.48	0.56	0.64	0.64	0.73	0.51	0.60	0.68	0.68	0.77	
	PI	2.97	2.97	2.98	2.98	2.98	3.15	3.15	3.15	3.15	3.16	3.34	3.34	3.34	3.34	3.35	3.54	3.54	3.54	3.54	3.55	
50°F(10.0°C)	TC	42102	42159	42204	42206	42263	44640	44692	44737	44745	44799	47307	47368	47421	47430	47483	50157	50211	50266	50274	50336	
	S/T	0.43	0.50	0.57	0.57	0.65	0.45	0.53	0.61	0.61	0.69	0.48	0.57	0.64	0.64	0.73	0.51	0.60	0.68	0.68	0.78	
	PI	2.87	2.87	2.87	2.87	2.88	3.04	3.04	3.05	3.05	3.05	3.22	3.23	3.23	3.23	3.23	3.42	3.42	3.42	3.42	3.43	
59°F(15.0°C)	TC	40006	40059	40103	40104	40159	42417	42467	42509	42517	42568	44951	45009	45059	45068	45118	47659	47711	47763	47770	47830	
	S/T	0.43	0.51	0.57	0.57	0.65	0.46	0.54	0.61	0.61	0.69	0.48	0.57	0.65	0.65	0.74	0.51	0.60	0.68	0.68	0.78	
	PI	2.57	2.57	2.57	2.57	2.58	2.72	2.72	2.73	2.73	2.73	2.88	2.89	2.89	2.89	2.89	3.06	3.06	3.06	3.06	3.07	

Manufacturer reserves the right to change, at any time, specifications and designs without notice and without obligations.

Table 14: Cooling Performance - 48K D5CUHA + D5FUHA (Sheet 4 of 8)

1265	68°F(20.0°C)	TC	37909	37960	38001	38003	38054	40194	40241	40281	40289	40337	42595	42650	42698	42706	42753	45161	45211	45260	45267	45323	
		S/T	0.44	0.52	0.59	0.59	0.67	0.47	0.55	0.63	0.63	0.71	0.50	0.58	0.66	0.66	0.76	0.53	0.62	0.70	0.70	0.70	0.80
		PI	2.26	2.27	2.27	2.27	2.27	2.40	2.40	2.40	2.41	2.41	2.54	2.55	2.55	2.55	2.55	2.70	2.70	2.70	2.70	2.70	2.71
	77°F(25.0°C)	TC	35812	35861	35899	35901	35949	37971	38016	38053	38061	38106	40239	40291	40336	40344	40389	42664	42710	42757	42763	42816	
		S/T	0.45	0.53	0.60	0.60	0.68	0.48	0.56	0.63	0.63	0.72	0.50	0.59	0.67	0.67	0.77	0.53	0.63	0.71	0.71	0.81	
		PI	1.96	1.96	1.97	1.97	1.97	2.08	2.08	2.08	2.08	2.09	2.20	2.21	2.21	2.21	2.21	2.34	2.34	2.34	2.34	2.34	
	82°F(27.8°C)	TC	35730	35778	35816	35818	35866	37883	37928	37965	37973	38018	40146	40198	40243	40251	40295	42565	42611	42658	42664	42717	
		S/T	0.45	0.53	0.61	0.61	0.69	0.48	0.56	0.64	0.64	0.73	0.51	0.60	0.68	0.68	0.78	0.54	0.63	0.72	0.72	0.82	
		PI	2.10	2.10	2.11	2.11	2.11	2.23	2.23	2.23	2.23	2.23	2.36	2.36	2.37	2.37	2.37	2.50	2.50	2.51	2.51	2.51	
	86°F(30.0°C)	TC	37029	37078	37118	37120	37170	39260	39307	39345	39353	39400	41606	41660	41706	41714	41760	44112	44160	44208	44215	44270	
		S/T	0.46	0.54	0.61	0.61	0.70	0.49	0.57	0.65	0.65	0.74	0.52	0.61	0.69	0.69	0.78	0.55	0.64	0.73	0.73	0.83	
		PI	2.60	2.60	2.61	2.61	2.61	2.76	2.76	2.76	2.76	2.77	2.92	2.92	2.93	2.93	2.93	3.10	3.10	3.10	3.10	3.11	
	95°F(35.0°C)	TC	39951	40005	40048	40050	40104	42359	42409	42451	42459	42510	44890	44948	44998	45006	45057	47594	47646	47698	47705	47765	
		S/T	0.46	0.54	0.61	0.61	0.70	0.49	0.57	0.65	0.65	0.74	0.52	0.61	0.69	0.69	0.78	0.55	0.64	0.73	0.73	0.83	
		PI	3.72	3.73	3.73	3.73	3.74	3.95	3.95	3.96	3.96	3.96	4.18	4.19	4.19	4.19	4.20	4.43	4.44	4.44	4.44	4.45	
	104°F(40.0°C)	TC	36742	36792	36832	36833	36883	38957	39003	39041	39049	39095	41284	41338	41384	41392	41438	43772	43819	43867	43874	43928	
		S/T	0.47	0.55	0.63	0.63	0.72	0.50	0.59	0.67	0.67	0.76	0.53	0.62	0.71	0.71	0.80	0.56	0.66	0.75	0.75	0.85	
		PI	3.79	3.79	3.80	3.80	3.80	4.02	4.02	4.03	4.03	4.03	4.26	4.26	4.27	4.27	4.27	4.51	4.52	4.52	4.52	4.53	
	110°F(43.0°C)	TC	34817	34864	34902	34903	34950	36915	36959	36996	37003	37047	39121	39172	39215	39223	39266	41478	41523	41568	41575	41627	
		S/T	0.49	0.57	0.65	0.65	0.74	0.52	0.61	0.69	0.69	0.79	0.55	0.64	0.73	0.73	0.83	0.58	0.68	0.78	0.78	0.88	
		PI	3.83	3.83	3.84	3.84	3.84	4.06	4.06	4.07	4.07	4.07	4.30	4.31	4.31	4.31	4.32	4.56	4.57	4.57	4.57	4.58	
	115°F(46.0°C)	TC	30634	30676	30709	30710	30752	32481	32519	32551	32558	32596	34421	34466	34504	34511	34549	36495	36535	36575	36580	36626	
		S/T	0.49	0.58	0.66	0.66	0.75	0.52	0.61	0.70	0.70	0.80	0.56	0.65	0.74	0.74	0.84	0.59	0.69	0.78	0.78	0.89	
		PI	3.57	3.58	3.58	3.58	3.59	3.79	3.79	3.80	3.80	3.80	4.02	4.02	4.02	4.03	4.03	4.26	4.26	4.27	4.27	4.27	
122°F(50.0°C)	TC	25058	25091	25118	25119	25153	26568	26599	26625	26631	26662	28155	28191	28223	28228	28260	29851	29884	29916	29921	29958		
	S/T	0.51	0.59	0.67	0.67	0.77	0.54	0.63	0.71	0.71	0.81	0.57	0.67	0.76	0.76	0.86	0.60	0.71	0.80	0.80	0.92		
	PI	3.23	3.24	3.24	3.24	3.25	3.43	3.43	3.44	3.44	3.44	3.63	3.64	3.64	3.64	3.65	3.85	3.86	3.86	3.86	3.87		
1441	-22°F(-30.0°C)	TC	32817	32862	32897	32898	32943	34795	34836	34871	34878	34919	36874	36922	36963	36970	37011	39096	39138	39181	39187	39236	
		S/T	0.44	0.52	0.59	0.59	0.67	0.47	0.55	0.62	0.62	0.71	0.50	0.58	0.66	0.66	0.75	0.53	0.62	0.70	0.70	0.80	
		PI	1.33	1.33	1.33	1.33	1.34	1.41	1.41	1.41	1.41	1.42	1.50	1.50	1.50	1.50	1.50	1.59	1.59	1.59	1.59	1.59	
	-13°F(-25.0°C)	TC	35552	35600	35638	35640	35688	37695	37739	37777	37784	37829	39947	39999	40043	40051	40095	42354	42400	42446	42452	42505	
		S/T	0.44	0.52	0.59	0.59	0.68	0.47	0.55	0.63	0.63	0.72	0.50	0.59	0.67	0.67	0.76	0.53	0.62	0.71	0.71	0.80	
		PI	1.44	1.44	1.45	1.45	1.45	1.53	1.53	1.53	1.53	1.53	1.62	1.62	1.62	1.62	1.63	1.72	1.72	1.72	1.72	1.72	
	-4°F(-20.0°C)	TC	38287	38338	38380	38381	38433	40594	40642	40683	40691	40739	43020	43075	43124	43132	43180	45612	45661	45711	45718	45775	
		S/T	0.45	0.52	0.60	0.60	0.68	0.47	0.56	0.63	0.63	0.72	0.50	0.59	0.67	0.67	0.76	0.53	0.62	0.71	0.71	0.81	
		PI	1.55	1.56	1.56	1.56	1.56	1.65	1.65	1.65	1.65	1.65	1.74	1.75	1.75	1.75	1.75	1.85	1.85	1.85	1.85	1.86	

Manufacturer reserves the right to change, at any time, specifications and designs without notice and without obligations.

Table 14: Cooling Performance - 48K D5CUHA + D5FUHA (Sheet 5 of 8)

1441	0°F(-17.8°C)	TC	39502	39556	39598	39600	39653	41883	41933	41974	41982	42032	44385	44443	44493	44501	44550	47060	47111	47162	47169	47228
		S/T	0.45	0.53	0.60	0.60	0.68	0.48	0.56	0.63	0.63	0.72	0.50	0.59	0.67	0.67	0.77	0.53	0.63	0.71	0.71	0.81
		PI	1.60	1.60	1.61	1.61	1.61	1.70	1.70	1.70	1.70	1.70	1.80	1.80	1.80	1.80	1.81	1.91	1.91	1.91	1.91	1.92
	5°F(-15.0°C)	TC	41022	41077	41121	41123	41178	43494	43545	43588	43597	43649	46092	46152	46204	46212	46264	48870	48923	48976	48984	49045
		S/T	0.45	0.53	0.60	0.60	0.69	0.48	0.56	0.64	0.64	0.73	0.51	0.59	0.68	0.68	0.77	0.54	0.63	0.72	0.72	0.82
		PI	1.66	1.67	1.67	1.67	1.67	1.76	1.77	1.77	1.77	1.77	1.87	1.87	1.87	1.87	1.88	1.98	1.98	1.99	1.99	1.99
	14°F(-10.0°C)	TC	42280	42337	42383	42385	42442	44828	44881	44926	44934	44988	47506	47568	47621	47630	47683	50369	50424	50478	50486	50549
		S/T	0.45	0.53	0.60	0.60	0.69	0.48	0.56	0.64	0.64	0.73	0.51	0.60	0.68	0.68	0.77	0.54	0.63	0.72	0.72	0.82
		PI	2.23	2.23	2.24	2.24	2.24	2.36	2.37	2.37	2.37	2.37	2.51	2.51	2.51	2.51	2.52	2.66	2.66	2.66	2.66	2.67
	17°F(-8.3°C)	TC	42700	42757	42803	42805	42863	45273	45327	45371	45380	45434	47978	48040	48094	48103	48156	50868	50924	50979	50987	51051
		S/T	0.45	0.53	0.60	0.60	0.69	0.48	0.56	0.64	0.64	0.73	0.51	0.60	0.68	0.68	0.77	0.54	0.63	0.72	0.72	0.82
		PI	2.42	2.42	2.43	2.43	2.43	2.57	2.57	2.57	2.57	2.57	2.72	2.72	2.72	2.73	2.73	2.88	2.89	2.89	2.89	2.89
	23°F(-5.0°C)	TC	45171	45232	45280	45282	45344	47893	47950	47997	48007	48064	50755	50820	50877	50887	50943	53813	53871	53930	53938	54005
		S/T	0.46	0.53	0.61	0.61	0.69	0.48	0.57	0.64	0.64	0.73	0.51	0.60	0.68	0.68	0.78	0.54	0.64	0.72	0.72	0.82
		PI	2.81	2.81	2.82	2.82	2.82	2.98	2.98	2.99	2.99	2.99	3.16	3.16	3.17	3.17	3.17	3.35	3.35	3.36	3.36	3.36
	35°F(1.7°C)	TC	50114	50181	50235	50237	50305	53134	53197	53249	53260	53323	56308	56381	56444	56455	56518	59701	59766	59831	59840	59915
		S/T	0.46	0.54	0.61	0.61	0.70	0.48	0.57	0.65	0.65	0.74	0.51	0.60	0.69	0.69	0.78	0.54	0.64	0.73	0.73	0.83
		PI	3.59	3.60	3.60	3.60	3.61	3.81	3.81	3.82	3.82	3.82	4.04	4.04	4.05	4.05	4.05	4.28	4.28	4.29	4.29	4.29
	41°F(5.0°C)	TC	48124	48189	48240	48243	48308	51024	51084	51135	51145	51206	54072	54143	54203	54213	54274	57330	57393	57455	57464	57536
		S/T	0.46	0.54	0.61	0.61	0.70	0.49	0.57	0.65	0.65	0.74	0.52	0.60	0.69	0.69	0.78	0.55	0.64	0.73	0.73	0.83
		PI	3.40	3.40	3.40	3.40	3.41	3.60	3.60	3.61	3.61	3.61	3.82	3.82	3.82	3.83	3.83	4.05	4.05	4.05	4.05	4.06
	47°F(8.3°C)	TC	46134	46196	46246	46248	46310	48914	48972	49021	49030	49088	51837	51904	51962	51971	52029	54960	55020	55080	55088	55157
		S/T	0.46	0.54	0.61	0.61	0.70	0.49	0.57	0.65	0.65	0.74	0.52	0.61	0.69	0.69	0.79	0.55	0.64	0.73	0.73	0.83
		PI	3.20	3.20	3.21	3.21	3.21	3.39	3.40	3.40	3.40	3.40	3.59	3.60	3.60	3.60	3.61	3.81	3.82	3.82	3.82	3.82
50°F(10.0°C)	TC	45381	45442	45491	45493	45554	48116	48173	48220	48230	48287	50990	51056	51113	51123	51180	54062	54121	54180	54189	54256	
	S/T	0.46	0.54	0.62	0.62	0.70	0.49	0.57	0.65	0.65	0.74	0.52	0.61	0.69	0.69	0.79	0.55	0.65	0.73	0.73	0.84	
	PI	3.09	3.09	3.10	3.10	3.10	3.28	3.28	3.28	3.28	3.29	3.47	3.48	3.48	3.48	3.49	3.68	3.69	3.69	3.69	3.70	
59°F(15.0°C)	TC	43121	43179	43225	43227	43286	45720	45774	45819	45828	45882	48451	48514	48568	48577	48631	51370	51426	51482	51490	51554	
	S/T	0.46	0.54	0.62	0.62	0.71	0.49	0.58	0.66	0.66	0.75	0.52	0.61	0.70	0.70	0.79	0.55	0.65	0.74	0.74	0.84	
	PI	2.77	2.77	2.77	2.77	2.78	2.93	2.94	2.94	2.94	2.94	3.11	3.11	3.11	3.11	3.12	3.29	3.30	3.30	3.30	3.31	
68°F(20.0°C)	TC	40861	40916	40960	40962	41017	43323	43375	43418	43426	43478	45912	45971	46023	46031	46083	48678	48731	48784	48792	48852	
	S/T	0.48	0.56	0.64	0.64	0.72	0.51	0.59	0.67	0.67	0.77	0.54	0.63	0.71	0.71	0.81	0.57	0.67	0.76	0.76	0.86	
	PI	2.44	2.44	2.45	2.45	2.45	2.59	2.59	2.59	2.59	2.60	2.74	2.74	2.75	2.75	2.75	2.91	2.91	2.91	2.91	2.92	
77°F(25.0°C)	TC	38601	38653	38695	38696	38749	40927	40976	41016	41024	41073	43373	43429	43477	43485	43534	45986	46036	46086	46093	46150	
	S/T	0.48	0.57	0.64	0.64	0.73	0.51	0.60	0.68	0.68	0.78	0.54	0.64	0.72	0.72	0.82	0.58	0.68	0.77	0.77	0.87	
	PI	2.11	2.12	2.12	2.12	2.12	2.24	2.24	2.25	2.25	2.25	2.37	2.38	2.38	2.38	2.38	2.52	2.52	2.52	2.52	2.53	

Manufacturer reserves the right to change, at any time, specifications and designs without notice and without obligations.

Table 14: Cooling Performance - 48K D5CUHA + D5FUHA (Sheet 6 of 8)

1441	82°F(27.8°C)	TC	38512	38564	38605	38607	38659	40833	40881	40921	40929	40978	43272	43328	43377	43385	43433	45879	45929	45979	45986	46044	
		S/T	0.49	0.57	0.65	0.65	0.74	0.52	0.61	0.69	0.69	0.79	0.55	0.64	0.73	0.73	0.84	0.58	0.68	0.78	0.78	0.89	
		PI	2.26	2.27	2.27	2.27	2.27	2.40	2.40	2.41	2.41	2.41	2.54	2.55	2.55	2.55	2.55	2.70	2.70	2.70	2.70	2.71	
	86°F(30.0°C)	TC	39912	39966	40009	40010	40064	42317	42367	42409	42418	42468	44845	44904	44954	44962	45012	47547	47599	47651	47658	47718	
		S/T	0.50	0.58	0.66	0.66	0.75	0.53	0.62	0.70	0.70	0.80	0.56	0.65	0.74	0.74	0.85	0.59	0.69	0.79	0.79	0.90	
		PI	2.80	2.81	2.81	2.81	2.81	2.97	2.97	2.98	2.98	2.98	3.15	3.15	3.16	3.16	3.16	3.34	3.34	3.35	3.35	3.35	
	95°F(35.0°C)	TC	43062	43120	43167	43168	43227	45657	45711	45757	45766	45820	48385	48448	48502	48511	48565	51300	51356	51412	51420	51484	
		S/T	0.50	0.58	0.66	0.66	0.75	0.53	0.62	0.70	0.70	0.80	0.56	0.65	0.74	0.74	0.85	0.59	0.69	0.79	0.79	0.90	
		PI	4.01	4.02	4.02	4.02	4.03	4.25	4.26	4.26	4.26	4.27	4.51	4.51	4.52	4.52	4.52	4.78	4.79	4.79	4.79	4.80	
	104°F(40.0°C)	TC	39604	39657	39700	39701	39755	41990	42040	42081	42090	42140	44499	44557	44606	44615	44664	47180	47231	47283	47290	47349	
		S/T	0.51	0.60	0.68	0.68	0.77	0.54	0.63	0.72	0.72	0.82	0.57	0.67	0.76	0.76	0.87	0.60	0.71	0.81	0.81	0.92	
		PI	4.08	4.09	4.09	4.09	4.10	4.33	4.33	4.34	4.34	4.34	4.59	4.59	4.60	4.60	4.61	4.86	4.87	4.88	4.88	4.88	
	110°F(43.0°C)	TC	37528	37579	37619	37621	37672	39790	39837	39876	39884	39932	42167	42222	42269	42277	42324	44708	44756	44805	44812	44868	
		S/T	0.53	0.62	0.70	0.70	0.80	0.56	0.65	0.74	0.74	0.85	0.59	0.69	0.79	0.79	0.90	0.63	0.74	0.84	0.84	0.95	
		PI	4.13	4.13	4.14	4.14	4.14	4.37	4.38	4.38	4.38	4.39	4.64	4.64	4.65	4.65	4.65	4.92	4.92	4.93	4.93	4.93	
	115°F(46.0°C)	TC	33020	33064	33100	33101	33146	35010	35051	35086	35093	35135	37102	37150	37191	37198	37240	39337	39380	39423	39429	39478	
		S/T	0.53	0.62	0.71	0.71	0.81	0.56	0.66	0.75	0.75	0.86	0.60	0.70	0.80	0.80	0.91	0.63	0.74	0.85	0.85	0.96	
		PI	3.85	3.86	3.86	3.86	3.87	4.08	4.09	4.09	4.09	4.10	4.33	4.33	4.34	4.34	4.34	4.59	4.59	4.60	4.60	4.60	
	122°F(50.0°C)	TC	27009	27045	27074	27075	27112	28636	28670	28699	28704	28738	30347	30387	30421	30426	30460	32176	32211	32246	32251	32291	
		S/T	0.54	0.64	0.73	0.73	0.83	0.58	0.68	0.77	0.77	0.88	0.61	0.72	0.82	0.82	0.93	0.65	0.76	0.87	0.87	0.99	
		PI	3.49	3.49	3.49	3.49	3.50	3.70	3.70	3.70	3.70	3.71	3.92	3.92	3.93	3.93	3.93	4.15	4.16	4.16	4.16	4.17	
	1600	-22°F(-30.0°C)	TC	35373	35420	35459	35460	35508	37505	37549	37586	37594	37638	39745	39797	39841	39849	39893	42140	42186	42232	42238	42291
			S/T	0.48	0.56	0.63	0.63	0.72	0.50	0.59	0.67	0.67	0.77	0.53	0.63	0.71	0.71	0.81	0.57	0.67	0.76	0.76	0.86
			PI	1.43	1.44	1.44	1.44	1.44	1.52	1.52	1.52	1.52	1.53	1.61	1.61	1.62	1.62	1.62	1.71	1.71	1.71	1.71	1.72
-13°F(-25.0°C)		TC	38321	38372	38413	38415	38467	40630	40678	40718	40726	40775	43057	43113	43161	43169	43218	45652	45701	45751	45758	45815	
		S/T	0.48	0.56	0.64	0.64	0.73	0.51	0.60	0.68	0.68	0.77	0.54	0.63	0.72	0.72	0.82	0.57	0.67	0.76	0.76	0.87	
		PI	1.55	1.56	1.56	1.56	1.56	1.65	1.65	1.65	1.65	1.65	1.75	1.75	1.75	1.75	1.75	1.85	1.85	1.86	1.86	1.86	
-4°F(-20.0°C)		TC	41268	41324	41368	41370	41426	43755	43807	43850	43859	43911	46369	46430	46481	46490	46542	49163	49217	49270	49278	49339	
		S/T	0.48	0.57	0.64	0.64	0.73	0.51	0.60	0.68	0.68	0.78	0.54	0.64	0.72	0.72	0.82	0.57	0.67	0.77	0.77	0.87	
		PI	1.67	1.68	1.68	1.68	1.68	1.77	1.78	1.78	1.78	1.78	1.88	1.88	1.89	1.89	1.89	1.99	2.00	2.00	2.00	2.00	
0°F(-17.8°C)		TC	42578	42636	42682	42684	42741	45144	45198	45243	45251	45305	47842	47904	47957	47966	48019	50724	50779	50834	50842	50906	
		S/T	0.48	0.57	0.64	0.64	0.73	0.51	0.60	0.68	0.68	0.78	0.54	0.64	0.72	0.72	0.83	0.58	0.68	0.77	0.77	0.88	
		PI	1.73	1.73	1.73	1.73	1.73	1.83	1.83	1.84	1.84	1.84	1.94	1.94	1.95	1.95	1.95	2.06	2.06	2.06	2.06	2.06	
5°F(-15.0°C)		TC	44216	44276	44323	44325	44385	46881	46936	46983	46992	47048	49682	49746	49802	49811	49866	52675	52732	52790	52798	52864	
		S/T	0.49	0.57	0.65	0.65	0.74	0.51	0.60	0.69	0.69	0.78	0.55	0.64	0.73	0.73	0.83	0.58	0.68	0.77	0.77	0.88	
		PI	1.79	1.80	1.80	1.80	1.80	1.90	1.90	1.91	1.91	1.91	2.02	2.02	2.02	2.02	2.02	2.14	2.14	2.14	2.14	2.14	

Manufacturer reserves the right to change, at any time, specifications and designs without notice and without obligations.

Table 14: Cooling Performance - 48K D5CUHA + D5FUHA (Sheet 7 of 8)

1600	14°F(-10.0°C)	TC	45572	45634	45683	45685	45747	48319	48376	48424	48433	48491	51206	51272	51329	51339	51396	54291	54350	54409	54417	54485
		S/T	0.49	0.57	0.65	0.65	0.74	0.52	0.61	0.69	0.69	0.78	0.55	0.64	0.73	0.73	0.83	0.58	0.68	0.77	0.77	0.88
		PI	2.40	2.41	2.41	2.41	2.41	2.55	2.55	2.55	2.55	2.56	2.70	2.70	2.71	2.71	2.71	2.86	2.87	2.87	2.87	2.87
	17°F(-8.3°C)	TC	46025	46086	46136	46138	46200	48798	48856	48904	48914	48972	51714	51781	51839	51848	51906	54829	54889	54949	54957	55026
		S/T	0.49	0.57	0.65	0.65	0.74	0.52	0.61	0.69	0.69	0.79	0.55	0.64	0.73	0.73	0.83	0.58	0.68	0.78	0.78	0.88
		PI	2.61	2.61	2.61	2.61	2.62	2.76	2.77	2.77	2.77	2.77	2.93	2.93	2.94	2.94	2.94	3.11	3.11	3.11	3.11	3.12
	23°F(-5.0°C)	TC	48688	48754	48806	48809	48874	51623	51684	51735	51745	51806	54707	54778	54839	54849	54910	58003	58066	58129	58138	58211
		S/T	0.49	0.58	0.65	0.65	0.75	0.52	0.61	0.69	0.69	0.79	0.55	0.65	0.74	0.74	0.84	0.58	0.69	0.78	0.78	0.89
		PI	3.03	3.03	3.04	3.04	3.04	3.21	3.22	3.22	3.22	3.22	3.40	3.41	3.41	3.41	3.42	3.61	3.61	3.62	3.62	3.62
	35°F(1.7°C)	TC	54016	54089	54147	54149	54222	57271	57339	57396	57407	57475	60693	60772	60839	60851	60919	64350	64420	64490	64500	64580
		S/T	0.49	0.58	0.66	0.66	0.75	0.52	0.61	0.70	0.70	0.79	0.55	0.65	0.74	0.74	0.84	0.59	0.69	0.78	0.78	0.89
		PI	3.87	3.88	3.88	3.88	3.89	4.11	4.11	4.11	4.11	4.12	4.35	4.36	4.36	4.36	4.37	4.61	4.62	4.62	4.62	4.63
	41°F(5.0°C)	TC	51871	51941	51997	51999	52069	54997	55062	55117	55128	55193	58283	58359	58424	58435	58500	61795	61862	61929	61939	62016
		S/T	0.49	0.58	0.66	0.66	0.75	0.52	0.61	0.70	0.70	0.80	0.56	0.65	0.74	0.74	0.84	0.59	0.69	0.78	0.78	0.89
		PI	3.66	3.67	3.67	3.67	3.67	3.88	3.89	3.89	3.89	3.89	4.11	4.12	4.12	4.12	4.13	4.36	4.37	4.37	4.37	4.38
	47°F(8.3°C)	TC	49726	49793	49847	49849	49916	52723	52786	52838	52848	52911	55873	55946	56008	56018	56081	59240	59304	59368	59378	59452
		S/T	0.50	0.58	0.66	0.66	0.75	0.53	0.62	0.70	0.70	0.80	0.56	0.65	0.74	0.74	0.85	0.59	0.69	0.79	0.79	0.90
		PI	3.45	3.45	3.46	3.46	3.46	3.66	3.66	3.66	3.66	3.67	3.87	3.88	3.88	3.88	3.89	4.11	4.11	4.12	4.12	4.12
	50°F(10.0°C)	TC	48914	48980	49033	49035	49101	51862	51924	51975	51985	52047	54961	55032	55093	55104	55165	58272	58336	58399	58408	58481
		S/T	0.50	0.58	0.66	0.66	0.76	0.53	0.62	0.70	0.70	0.80	0.56	0.66	0.75	0.75	0.85	0.59	0.70	0.79	0.79	0.90
		PI	3.33	3.34	3.34	3.34	3.34	3.53	3.54	3.54	3.54	3.54	3.74	3.75	3.75	3.75	3.76	3.97	3.97	3.98	3.98	3.98
59°F(15.0°C)	TC	46479	46541	46591	46593	46656	49280	49338	49387	49396	49455	52224	52292	52350	52360	52418	55370	55431	55491	55500	55569	
	S/T	0.50	0.59	0.67	0.67	0.76	0.53	0.62	0.71	0.71	0.81	0.56	0.66	0.75	0.75	0.86	0.60	0.70	0.80	0.80	0.91	
	PI	2.98	2.98	2.99	2.99	2.99	3.16	3.16	3.17	3.17	3.17	3.35	3.35	3.36	3.36	3.36	3.55	3.55	3.56	3.56	3.56	
68°F(20.0°C)	TC	44043	44102	44149	44151	44211	46697	46752	46798	46808	46863	49487	49551	49606	49616	49671	52469	52526	52583	52591	52656	
	S/T	0.51	0.60	0.69	0.69	0.78	0.54	0.64	0.73	0.73	0.83	0.58	0.68	0.77	0.77	0.88	0.61	0.72	0.82	0.82	0.93	
	PI	2.63	2.63	2.64	2.64	2.64	2.79	2.79	2.79	2.79	2.80	2.95	2.96	2.96	2.96	2.97	3.13	3.14	3.14	3.14	3.14	
77°F(25.0°C)	TC	41607	41663	41708	41710	41766	44114	44167	44210	44219	44271	46750	46811	46863	46871	46924	49567	49621	49675	49682	49744	
	S/T	0.52	0.61	0.69	0.69	0.79	0.55	0.65	0.74	0.74	0.84	0.59	0.69	0.78	0.78	0.89	0.62	0.73	0.83	0.83	0.94	
	PI	2.28	2.28	2.28	2.28	2.29	2.42	2.42	2.42	2.42	2.42	2.56	2.56	2.57	2.57	2.57	2.71	2.72	2.72	2.72	2.72	
82°F(27.8°C)	TC	41511	41566	41611	41613	41669	44012	44064	44108	44117	44169	46642	46702	46754	46763	46815	49452	49506	49560	49567	49629	
	S/T	0.53	0.62	0.70	0.70	0.80	0.56	0.66	0.75	0.75	0.85	0.59	0.70	0.79	0.79	0.90	0.63	0.74	0.84	0.84	0.95	
	PI	2.44	2.44	2.45	2.45	2.45	2.59	2.59	2.59	2.59	2.60	2.74	2.75	2.75	2.75	2.75	2.91	2.91	2.91	2.91	2.92	
86°F(30.0°C)	TC	43020	43078	43124	43126	43184	45612	45666	45711	45720	45775	48337	48400	48454	48463	48517	51250	51306	51361	51369	51433	
	S/T	0.53	0.63	0.71	0.71	0.81	0.57	0.66	0.75	0.75	0.86	0.60	0.70	0.80	0.80	0.91	0.64	0.75	0.85	0.85	0.97	
	PI	3.02	3.02	3.03	3.03	3.03	3.20	3.21	3.21	3.21	3.21	3.39	3.40	3.40	3.40	3.41	3.60	3.60	3.61	3.61	3.61	

Manufacturer reserves the right to change, at any time, specifications and designs without notice and without obligations.

Table 14: Cooling Performance - 48K D5CUHA + D5FUHA (Sheet 8 of 8)

1600	95°F(35.0 °C)	TC	46415	46478	46528	46530	46593	49213	49271	49319	49329	49388	52153	52220	52279	52288	52347	55295	55355	55415	55424	55493
		S/T	0.53	0.63	0.71	0.71	0.81	0.57	0.66	0.75	0.75	0.86	0.60	0.70	0.80	0.80	0.91	0.64	0.75	0.85	0.85	0.97
		PI	4.32	4.33	4.34	4.34	4.34	4.59	4.59	4.60	4.60	4.60	4.86	4.87	4.87	4.87	4.88	5.15	5.16	5.16	5.16	5.17
	104°F(40.0 °C)	TC	42687	42745	42791	42793	42850	45260	45314	45358	45367	45421	47964	48026	48080	48089	48142	50854	50909	50965	50972	51036
		S/T	0.55	0.64	0.73	0.73	0.83	0.58	0.68	0.77	0.77	0.88	0.62	0.72	0.82	0.82	0.93	0.65	0.76	0.87	0.87	0.99
		PI	4.40	4.41	4.41	4.41	4.42	4.67	4.67	4.68	4.68	4.68	4.95	4.95	4.96	4.96	4.96	5.24	5.25	5.25	5.26	5.26
	110°F(43.0 °C)	TC	40451	40505	40549	40550	40605	42888	42939	42982	42990	43041	45451	45510	45560	45569	45620	48189	48242	48294	48302	48362
		S/T	0.57	0.67	0.76	0.76	0.86	0.60	0.71	0.80	0.80	0.91	0.64	0.75	0.85	0.85	0.97	0.68	0.79	0.90	0.90	1.00
		PI	4.45	4.45	4.46	4.46	4.46	4.72	4.72	4.73	4.73	4.73	5.00	5.00	5.01	5.01	5.02	5.30	5.30	5.31	5.31	5.32
	115°F(46.0 °C)	TC	35591	35639	35677	35679	35727	37736	37781	37818	37825	37870	39991	40042	40087	40095	40139	42400	42446	42492	42499	42552
		S/T	0.57	0.67	0.77	0.77	0.87	0.61	0.71	0.81	0.81	0.92	0.65	0.76	0.86	0.86	0.98	0.68	0.80	0.91	0.91	1.00
		PI	4.15	4.16	4.16	4.16	4.17	4.40	4.41	4.41	4.41	4.42	4.66	4.67	4.68	4.68	4.68	4.95	4.95	4.96	4.96	4.96
	122°F(50.0 °C)	TC	29112	29151	29182	29184	29223	30866	30903	30933	30939	30976	32710	32753	32789	32795	32832	34681	34719	34757	34762	34805
		S/T	0.59	0.69	0.78	0.78	0.89	0.62	0.73	0.83	0.83	0.95	0.66	0.77	0.88	0.88	1.00	0.70	0.82	0.93	0.93	1.00
		PI	3.76	3.76	3.77	3.77	3.77	3.98	3.99	3.99	3.99	4.00	4.22	4.23	4.23	4.23	4.24	4.48	4.48	4.49	4.49	4.49

Manufacturer reserves the right to change, at any time, specifications and designs without notice and without obligations.

Table 15: Heating Performance - 48K D5CUHA + D5FUHA (Sheet 1 of 2)

AIRFLOW (CFM)	HEATING PERFORMANCE AT INDOOR DRY BULB TEMPERATURE										
	OUTDOOR DB °F (°C)	TC: TOTAL HEATING CAPACITY (BTU/HR)					PI: POWER INPUT (KW)				
		INDOOR CONDITIONS(DB °F)					INDOOR CONDITIONS(DB °F)				
		60.8°F (16.0°C)	68°F (20.0°C)	70°F (21.1°C)	71.6°F (22.0°C)	75.2°F (24.0°C)	60.8°F (16.0°C)	68°F (20.0°C)	70°F (21.1°C)	71.6°F (22.0°C)	75.2°F (24.0°C)
1088	-22°F(-30.0°C)	23910	23431	23314	22923	22716	5.50	5.55	5.56	5.57	5.59
	-13°F(-25.0°C)	29613	29021	28876	27299	27053	6.04	6.09	6.10	6.11	6.14
	-4°F(-20.0°C)	35532	34821	34647	32755	32460	5.98	6.02	6.04	6.05	6.07
	0°F(-17.8°C)	37330	36583	36400	34412	34103	6.16	6.21	6.22	6.24	6.26
	5°F(-15.0°C)	39578	38786	38592	36484	36156	6.39	6.45	6.46	6.47	6.50
	14°F(-10.0°C)	39605	38813	38619	36510	36181	6.35	6.40	6.42	6.43	6.46
	17°F(-8.3°C)	39614	38822	38627	36518	36189	6.34	6.39	6.40	6.42	6.44
	22°F(-5.6°C)	40178	39375	39178	37038	36705	6.21	6.26	6.27	6.28	6.31
	27°F(-2.8°C)	40742	39928	39728	37558	37220	6.08	6.13	6.14	6.15	6.18
	32°F(-0.0°C)	41307	40481	40278	38078	37736	5.95	6.00	6.01	6.02	6.04
	35°F(1.7°C)	41645	40812	40608	38391	38045	5.87	5.92	5.93	5.94	5.96
	37°F(2.8°C)	42002	41162	40957	38720	38371	5.66	5.70	5.71	5.73	5.75
	42°F(5.6°C)	42895	42038	41827	39543	39187	5.13	5.17	5.18	5.19	5.21
	44.6°F(7.0°C)	43253	42388	42176	39872	39514	4.91	4.95	4.96	4.97	4.99
	47°F(8.3°C)	43788	42913	42698	40366	40003	4.60	4.63	4.64	4.65	4.67
	52°F(11.1°C)	41955	41116	40910	38676	38328	4.09	4.12	4.13	4.14	4.15
	57°F(13.9°C)	40121	39319	39122	36986	36653	3.58	3.61	3.61	3.62	3.64
59°F(15.0°C)	39388	38600	38407	36310	35983	3.37	3.40	3.41	3.41	3.43	
62°F(16.7°C)	38288	37522	37335	35296	34978	3.07	3.09	3.10	3.11	3.12	
64.4°F(18.0°C)	37555	36803	36619	34620	34308	2.86	2.89	2.89	2.90	2.91	
1265	-22°F(-30.0°C)	26282	25756	25627	25360	25132	5.56	5.60	5.61	5.63	5.65
	-13°F(-25.0°C)	31919	31281	31124	30202	29930	6.10	6.15	6.16	6.17	6.20
	-4°F(-20.0°C)	38298	37532	37345	36238	35912	6.04	6.09	6.10	6.11	6.13
	0°F(-17.8°C)	40237	39432	39235	38072	37729	6.22	6.27	6.29	6.30	6.33
	5°F(-15.0°C)	42659	41806	41597	40364	40001	6.46	6.51	6.52	6.54	6.56
	14°F(-10.0°C)	42689	41835	41626	40392	40029	6.42	6.47	6.48	6.49	6.52
	17°F(-8.3°C)	42699	41845	41635	40401	40038	6.40	6.45	6.47	6.48	6.51
	22°F(-5.6°C)	43307	42441	42228	40977	40608	6.27	6.32	6.33	6.35	6.37
	27°F(-2.8°C)	43915	43037	42821	41552	41178	6.14	6.19	6.20	6.21	6.24
	32°F(-0.0°C)	44523	43633	43415	42128	41749	6.01	6.06	6.07	6.08	6.10
	35°F(1.7°C)	44888	43990	43770	42473	42091	5.93	5.98	5.99	6.00	6.02
	37°F(2.8°C)	45273	44368	44146	42838	42452	5.71	5.76	5.77	5.78	5.81
	42°F(5.6°C)	46236	45311	45084	43748	43355	5.18	5.22	5.23	5.24	5.26
	44.6°F(7.0°C)	46621	45688	45460	44113	43716	4.96	5.00	5.01	5.02	5.04
	47°F(8.3°C)	47198	46254	46023	44659	44257	4.64	4.68	4.69	4.70	4.72
	52°F(11.1°C)	45222	44317	44096	42789	42404	4.13	4.16	4.17	4.18	4.19
	57°F(13.9°C)	43246	42381	42169	40919	40551	3.61	3.64	3.65	3.66	3.67
59°F(15.0°C)	42455	41606	41398	40171	39810	3.41	3.44	3.44	3.45	3.46	
62°F(16.7°C)	41269	40444	40242	39049	38698	3.10	3.12	3.13	3.14	3.15	
64.4°F(18.0°C)	40479	39669	39471	38301	37956	2.89	2.92	2.92	2.93	2.94	

Table 15: Heating Performance - 48K D5CUHA + D5FUHA (Sheet 2 of 2)

1441	-22°F(-30.0°C)	28889	28311	28170	28057	27805	5.61	5.66	5.67	5.68	5.71
	-13°F(-25.0°C)	34405	33717	33548	33414	33113	6.16	6.21	6.22	6.23	6.26
	-4°F(-20.0°C)	41280	40455	40253	40092	39731	6.10	6.15	6.16	6.17	6.20
	0°F(-17.8°C)	43370	42502	42290	42121	41742	6.29	6.34	6.35	6.36	6.39
	5°F(-15.0°C)	45981	45062	44836	44657	44255	6.52	6.58	6.59	6.60	6.63
	14°F(-10.0°C)	46013	45093	44867	44688	44285	6.48	6.53	6.55	6.56	6.59
	17°F(-8.3°C)	46023	45103	44877	44698	44296	6.47	6.52	6.53	6.55	6.57
	22°F(-5.6°C)	46679	45745	45517	45335	44927	6.33	6.39	6.40	6.41	6.44
	27°F(-2.8°C)	47335	46388	46156	45971	45558	6.20	6.25	6.26	6.28	6.30
	32°F(-0.0°C)	47990	47030	46795	46608	46189	6.07	6.12	6.13	6.14	6.17
	35°F(1.7°C)	48383	47416	47179	46990	46567	5.99	6.04	6.05	6.06	6.09
	37°F(2.8°C)	48798	47823	47583	47393	46967	5.77	5.82	5.83	5.84	5.87
	42°F(5.6°C)	49836	48839	48595	48401	47965	5.23	5.27	5.28	5.29	5.31
	44.6°F(7.0°C)	50251	49246	49000	48804	48364	5.01	5.05	5.06	5.07	5.09
	47°F(8.3°C)	50873	49856	49607	49408	48964	4.69	4.73	4.74	4.75	4.76
	52°F(11.1°C)	48743	47768	47530	47339	46913	4.17	4.20	4.21	4.22	4.24
	57°F(13.9°C)	46613	45681	45452	45271	44863	3.65	3.68	3.69	3.69	3.71
	59°F(15.0°C)	45761	44846	44622	44443	44043	3.44	3.47	3.48	3.48	3.50
	62°F(16.7°C)	44483	43593	43375	43202	42813	3.13	3.16	3.16	3.17	3.18
	64.4°F(18.0°C)	43631	42758	42544	42374	41993	2.92	2.95	2.95	2.96	2.97
1600	-22°F(-30.0°C)	31139	30516	30363	30242	29970	5.67	5.72	5.73	5.74	5.76
	-13°F(-25.0°C)	37084	36342	36160	36016	35692	6.22	6.27	6.29	6.30	6.32
	-4°F(-20.0°C)	44495	43605	43387	43213	42825	6.16	6.21	6.22	6.23	6.26
	0°F(-17.8°C)	46747	45812	45583	45400	44992	6.35	6.40	6.41	6.43	6.45
	5°F(-15.0°C)	49562	48570	48328	48134	47701	6.59	6.64	6.66	6.67	6.70
	14°F(-10.0°C)	49596	48604	48361	48167	47734	6.55	6.60	6.61	6.63	6.65
	17°F(-8.3°C)	49607	48615	48372	48178	47745	6.53	6.59	6.60	6.61	6.64
	22°F(-5.6°C)	50314	49307	49061	48865	48425	6.40	6.45	6.46	6.48	6.50
	27°F(-2.8°C)	51020	50000	49750	49551	49105	6.26	6.31	6.33	6.34	6.37
	32°F(-0.0°C)	51727	50692	50439	50237	49785	6.13	6.18	6.19	6.20	6.23
	35°F(1.7°C)	52151	51108	50852	50649	50193	6.05	6.10	6.11	6.12	6.15
	37°F(2.8°C)	52598	51546	51289	51083	50624	5.83	5.88	5.89	5.90	5.92
	42°F(5.6°C)	53717	52642	52379	52170	51700	5.28	5.33	5.34	5.35	5.37
	44.6°F(7.0°C)	54164	53081	52815	52604	52131	5.06	5.11	5.12	5.13	5.15
	47°F(8.3°C)	54835	53738	53469	53256	52776	4.74	4.77	4.78	4.79	4.81
	52°F(11.1°C)	52539	51488	51231	51026	50566	4.21	4.25	4.25	4.26	4.28
	57°F(13.9°C)	50243	49238	48992	48796	48357	3.69	3.72	3.72	3.73	3.75
	59°F(15.0°C)	49324	48338	48096	47904	47473	3.48	3.50	3.51	3.52	3.53
	62°F(16.7°C)	47947	46988	46753	46566	46147	3.16	3.19	3.19	3.20	3.21
	64.4°F(18.0°C)	47028	46088	45857	45674	45263	2.95	2.98	2.98	2.99	3.00

Table 16: Cooling Performance - 60K D5CUHA + D5FUHA (Sheet 1 of 8)

AIRFLOW (CFM)	OUTDOOR DB °F (°C)	ID WB(°F)	60.8°F(16.0°C)					64.4°F(18.0°C)					67°F(19.4°C)					71.6°F(22.0°C)				
			73.4°F(23.0°C)	77.0°F(25.0°C)	80.0°F(26.7°C)	80.6°F(27.0°C)	84.2°F(29.0°C)	73.4°F(23.0°C)	77.0°F(25.0°C)	80.0°F(26.7°C)	80.6°F(27.0°C)	84.2°F(29.0°C)	73.4°F(23.0°C)	77.0°F(25.0°C)	80.0°F(26.7°C)	80.6°F(27.0°C)	84.2°F(29.0°C)	73.4°F(23.0°C)	77.0°F(25.0°C)	80.0°F(26.7°C)	80.6°F(27.0°C)	84.2°F(29.0°C)
1235	-22°F(-30.0°C)	TC	32349	32393	32428	32429	32473	34299	34339	34373	34380	34421	36348	36395	36436	36442	36483	38538	38580	38622	38628	38676
		S/T	0.40	0.47	0.53	0.53	0.61	0.42	0.50	0.56	0.56	0.64	0.45	0.53	0.60	0.60	0.68	0.47	0.56	0.63	0.63	0.72
		PI	4.19	4.20	4.20	4.20	4.21	4.44	4.45	4.45	4.46	4.46	4.71	4.72	4.72	4.72	4.73	4.99	5.00	5.01	5.01	5.01
	-13°F(-25.0°C)	TC	35045	35092	35130	35131	35179	37157	37201	37238	37245	37289	39377	39428	39472	39479	39523	41749	41795	41840	41847	41899
		S/T	0.40	0.47	0.53	0.53	0.61	0.43	0.50	0.57	0.57	0.65	0.45	0.53	0.60	0.60	0.69	0.48	0.56	0.64	0.64	0.73
		PI	4.54	4.55	4.55	4.55	4.56	4.82	4.82	4.83	4.83	4.83	5.10	5.11	5.12	5.12	5.12	5.41	5.42	5.42	5.42	5.43
	-4°F(-20.0°C)	TC	37741	37791	37832	37834	37885	40015	40062	40102	40110	40158	42406	42461	42508	42516	42564	44961	45010	45059	45066	45122
		S/T	0.40	0.47	0.54	0.54	0.61	0.43	0.50	0.57	0.57	0.65	0.45	0.53	0.60	0.60	0.69	0.48	0.56	0.64	0.64	0.73
		PI	4.89	4.90	4.90	4.90	4.91	5.19	5.19	5.20	5.20	5.20	5.50	5.50	5.51	5.51	5.52	5.83	5.83	5.84	5.84	5.85
	0°F(-17.8°C)	TC	38939	38991	39033	39035	39088	41285	41334	41375	41383	41432	43752	43809	43858	43866	43915	46388	46439	46489	46496	46554
		S/T	0.40	0.47	0.54	0.54	0.62	0.43	0.50	0.57	0.57	0.65	0.45	0.53	0.61	0.61	0.69	0.48	0.57	0.64	0.64	0.73
		PI	5.05	5.05	5.06	5.06	5.07	5.35	5.36	5.36	5.36	5.37	5.67	5.68	5.68	5.68	5.69	6.01	6.02	6.02	6.03	6.03
	5°F(-15.0°C)	TC	40436	40491	40534	40536	40591	42873	42924	42966	42975	43026	45435	45494	45544	45553	45604	48172	48225	48277	48285	48345
		S/T	0.41	0.48	0.54	0.54	0.62	0.43	0.51	0.57	0.57	0.66	0.46	0.54	0.61	0.61	0.69	0.48	0.57	0.65	0.65	0.74
		PI	5.24	5.25	5.25	5.25	5.26	5.56	5.56	5.57	5.57	5.58	5.89	5.90	5.90	5.90	5.91	6.24	6.25	6.26	6.26	6.27
	14°F(-10.0°C)	TC	41844	41900	41945	41947	42004	44366	44418	44462	44471	44524	47016	47077	47130	47138	47191	49849	49903	49957	49965	50027
		S/T	0.41	0.48	0.54	0.54	0.62	0.43	0.51	0.58	0.58	0.66	0.46	0.54	0.61	0.61	0.70	0.49	0.57	0.65	0.65	0.74
		PI	5.38	5.39	5.39	5.39	5.40	5.71	5.71	5.72	5.72	5.73	6.05	6.05	6.06	6.06	6.07	6.41	6.42	6.42	6.43	6.43
	17°F(-8.3°C)	TC	42313	42370	42415	42417	42475	44863	44916	44960	44969	45023	47543	47605	47658	47667	47720	50408	50463	50518	50525	50588
		S/T	0.41	0.48	0.54	0.54	0.62	0.43	0.51	0.58	0.58	0.66	0.46	0.54	0.61	0.61	0.70	0.49	0.57	0.65	0.65	0.74
		PI	5.43	5.44	5.44	5.44	5.45	5.76	5.76	5.77	5.77	5.78	6.10	6.11	6.11	6.12	6.12	6.47	6.47	6.48	6.48	6.49
	23°F(-5.0°C)	TC	43694	43753	43800	43802	43861	46327	46382	46428	46437	46492	49095	49159	49214	49223	49278	52053	52110	52167	52175	52240
		S/T	0.41	0.48	0.55	0.55	0.62	0.44	0.51	0.58	0.58	0.66	0.46	0.54	0.62	0.62	0.70	0.49	0.57	0.65	0.65	0.74
		PI	5.44	5.45	5.46	5.46	5.47	5.77	5.78	5.78	5.79	5.79	6.12	6.13	6.13	6.13	6.14	6.49	6.49	6.50	6.50	6.51
35°F(1.7°C)	TC	46456	46519	46569	46571	46634	49256	49315	49363	49373	49432	52199	52267	52325	52335	52393	55344	55404	55465	55473	55542	
	S/T	0.41	0.48	0.55	0.55	0.63	0.44	0.51	0.58	0.58	0.67	0.46	0.54	0.62	0.62	0.71	0.49	0.58	0.66	0.66	0.75	
	PI	5.48	5.48	5.49	5.49	5.50	5.81	5.81	5.82	5.82	5.83	6.15	6.16	6.17	6.17	6.18	6.52	6.53	6.54	6.54	6.55	
41°F(5.0°C)	TC	42596	42653	42699	42701	42758	45163	45216	45261	45270	45324	47861	47923	47977	47985	48039	50745	50800	50855	50863	50926	
	S/T	0.41	0.49	0.55	0.55	0.63	0.44	0.51	0.58	0.58	0.67	0.46	0.55	0.62	0.62	0.71	0.49	0.58	0.66	0.66	0.75	
	PI	4.13	4.13	4.14	4.14	4.14	4.38	4.38	4.39	4.39	4.39	4.64	4.64	4.65	4.65	4.66	4.92	4.92	4.93	4.93	4.94	
47°F(8.3°C)	TC	38735	38787	38829	38830	38883	41069	41118	41158	41167	41215	43523	43579	43628	43636	43685	46145	46195	46246	46253	46310	
	S/T	0.41	0.49	0.55	0.55	0.63	0.44	0.52	0.59	0.59	0.67	0.47	0.55	0.62	0.62	0.71	0.49	0.58	0.66	0.66	0.75	
	PI	2.78	2.78	2.79	2.79	2.79	2.95	2.95	2.95	2.95	2.96	3.12	3.13	3.13	3.13	3.13	3.31	3.31	3.32	3.32	3.32	

Manufacturer reserves the right to change, at any time, specifications and designs without notice and without obligations.

Table 16: Cooling Performance - 60K D5CUHA + D5FUHA (Sheet 2 of 8)

1235	50°F(10.0°C)	TC	39058	39110	39152	39154	39207	41412	41461	41502	41510	41559	43886	43943	43992	44000	44049	46530	46581	46631	46638	46697	
		S/T	0.42	0.49	0.56	0.56	0.63	0.44	0.52	0.59	0.59	0.59	0.67	0.47	0.55	0.62	0.62	0.71	0.50	0.58	0.66	0.66	0.75
		PI	2.76	2.76	2.76	2.76	2.77	2.92	2.93	2.93	2.93	2.93	2.93	3.10	3.10	3.11	3.11	3.11	3.29	3.29	3.29	3.29	3.30
	59°F(15.0°C)	TC	40027	40080	40124	40125	40179	42439	42489	42531	42539	42590	44974	45033	45083	45091	45142	47684	47736	47788	47795	47855	
		S/T	0.42	0.49	0.56	0.56	0.64	0.44	0.52	0.59	0.59	0.59	0.68	0.47	0.55	0.63	0.63	0.72	0.50	0.59	0.67	0.67	0.76
		PI	2.69	2.70	2.70	2.70	2.70	2.85	2.86	2.86	2.86	2.86	2.86	3.02	3.03	3.03	3.03	3.04	3.21	3.21	3.21	3.21	3.22
	68°F(20.0°C)	TC	40995	41050	41095	41096	41152	43466	43517	43560	43569	43621	46063	46123	46174	46183	46234	48838	48891	48944	48952	49013	
		S/T	0.43	0.50	0.57	0.57	0.65	0.46	0.54	0.61	0.61	0.69	0.48	0.57	0.64	0.64	0.73	0.51	0.60	0.68	0.68	0.78	
		PI	2.63	2.63	2.63	2.63	2.64	2.78	2.79	2.79	2.79	2.79	2.95	2.95	2.96	2.96	2.96	2.96	3.13	3.13	3.13	3.14	3.14
	77°F(25.0°C)	TC	41964	42020	42066	42068	42124	44493	44546	44590	44598	44651	47151	47212	47265	47274	47327	49992	50047	50101	50109	50171	
		S/T	0.44	0.51	0.58	0.58	0.66	0.46	0.54	0.62	0.62	0.70	0.49	0.57	0.65	0.65	0.74	0.52	0.61	0.69	0.69	0.79	
		PI	2.56	2.56	2.57	2.57	2.57	2.71	2.72	2.72	2.72	2.72	2.88	2.88	2.88	2.88	2.89	3.05	3.05	3.06	3.06	3.06	
	82°F(27.8°C)	TC	42734	42792	42838	42840	42897	45310	45363	45408	45417	45471	48017	48079	48133	48141	48195	50910	50965	51021	51028	51092	
		S/T	0.44	0.52	0.59	0.59	0.67	0.47	0.55	0.62	0.62	0.71	0.50	0.58	0.66	0.66	0.75	0.53	0.62	0.70	0.70	0.80	
		PI	2.86	2.86	2.86	2.86	2.87	3.03	3.03	3.04	3.04	3.04	3.21	3.21	3.22	3.22	3.22	3.40	3.41	3.41	3.41	3.42	
	86°F(30.0°C)	TC	43643	43702	43749	43751	43810	46273	46328	46374	46383	46438	49038	49102	49156	49165	49220	51992	52049	52106	52114	52179	
		S/T	0.45	0.52	0.60	0.60	0.68	0.47	0.56	0.63	0.63	0.72	0.50	0.59	0.67	0.67	0.76	0.53	0.62	0.71	0.71	0.81	
		PI	3.52	3.52	3.52	3.52	3.53	3.73	3.73	3.74	3.74	3.74	3.95	3.95	3.96	3.96	3.96	4.19	4.19	4.20	4.20	4.20	
	95°F(35.0°C)	TC	45688	45750	45799	45801	45863	48442	48499	48547	48556	48614	51336	51402	51460	51469	51527	54429	54488	54547	54556	54624	
		S/T	0.45	0.52	0.60	0.60	0.68	0.47	0.56	0.63	0.63	0.72	0.50	0.59	0.67	0.67	0.76	0.53	0.62	0.71	0.71	0.81	
		PI	5.00	5.00	5.01	5.01	5.02	5.30	5.30	5.31	5.31	5.32	5.61	5.62	5.63	5.63	5.64	5.95	5.96	5.97	5.97	5.97	
104°F(40.0°C)	TC	41810	41866	41911	41913	41970	44330	44382	44426	44435	44487	46978	47039	47091	47100	47153	49809	49863	49917	49925	49987		
	S/T	0.46	0.54	0.61	0.61	0.70	0.49	0.57	0.65	0.65	0.74	0.51	0.60	0.69	0.69	0.78	0.55	0.64	0.73	0.73	0.83		
	PI	4.93	4.93	4.94	4.94	4.95	5.22	5.23	5.24	5.24	5.24	5.54	5.54	5.55	5.55	5.56	5.87	5.88	5.88	5.88	5.89		
110°F(43.0°C)	TC	39483	39536	39579	39580	39634	41862	41912	41953	41962	42011	44363	44421	44471	44479	44528	47036	47088	47139	47146	47205		
	S/T	0.47	0.56	0.63	0.63	0.72	0.50	0.59	0.67	0.67	0.77	0.53	0.63	0.71	0.71	0.81	0.57	0.66	0.75	0.75	0.86		
	PI	4.89	4.89	4.90	4.90	4.90	5.18	5.19	5.19	5.19	5.20	5.49	5.50	5.50	5.50	5.51	5.82	5.83	5.83	5.83	5.84		
115°F(46.0°C)	TC	33308	33353	33389	33390	33435	35315	35357	35392	35399	35441	37425	37474	37515	37522	37564	39680	39723	39766	39772	39822		
	S/T	0.48	0.56	0.64	0.64	0.73	0.51	0.60	0.68	0.68	0.77	0.54	0.63	0.72	0.72	0.82	0.57	0.67	0.76	0.76	0.87		
	PI	4.11	4.12	4.12	4.12	4.13	4.36	4.36	4.37	4.37	4.37	4.62	4.63	4.63	4.63	4.64	4.90	4.90	4.91	4.91	4.91		
122°F(50.0°C)	TC	25074	25108	25135	25136	25170	26585	26617	26643	26648	26680	28174	28210	28242	28247	28279	29871	29904	29936	29941	29978		
	S/T	0.49	0.58	0.66	0.66	0.75	0.52	0.61	0.69	0.70	0.79	0.55	0.65	0.74	0.74	0.84	0.59	0.69	0.78	0.78	0.89		
	PI	3.08	3.08	3.09	3.09	3.09	3.26	3.27	3.27	3.27	3.27	3.46	3.46	3.47	3.47	3.47	3.67	3.67	3.67	3.67	3.68		
1500	-22°F(-30.0°C)	TC	34325	34371	34408	34409	34456	36393	36436	36472	36479	36523	38567	38617	38660	38668	38711	40891	40936	40980	40986	41038	
		S/T	0.42	0.50	0.56	0.56	0.64	0.45	0.53	0.60	0.60	0.68	0.48	0.56	0.63	0.63	0.72	0.50	0.59	0.67	0.67	0.77	
		PI	4.45	4.45	4.46	4.46	4.47	4.72	4.72	4.73	4.73	4.73	5.00	5.00	5.01	5.01	5.02	5.30	5.31	5.31	5.31	5.32	

Manufacturer reserves the right to change, at any time, specifications and designs without notice and without obligations.

Table 16: Cooling Performance - 60K D5CUHA + D5FUHA (Sheet 3 of 8)

1500	-13°F(-25.0°C)	TC	37185	37235	37275	37277	37327	39426	39473	39512	39519	39566	41781	41836	41882	41890	41937	44299	44347	44395	44402	44457
		S/T	0.43	0.50	0.57	0.57	0.65	0.45	0.53	0.60	0.60	0.69	0.48	0.56	0.64	0.64	0.73	0.51	0.59	0.68	0.68	0.77
		PI	4.82	4.83	4.83	4.83	4.84	5.11	5.12	5.12	5.12	5.13	5.41	5.42	5.43	5.43	5.43	5.74	5.75	5.75	5.75	5.75
	-4°F(-20.0°C)	TC	40045	40099	40142	40144	40198	42459	42509	42551	42559	42610	44995	45054	45104	45112	45163	47706	47758	47810	47818	47877
		S/T	0.43	0.50	0.57	0.57	0.65	0.45	0.53	0.61	0.61	0.69	0.48	0.56	0.64	0.64	0.73	0.51	0.60	0.68	0.68	0.78
		PI	5.19	5.20	5.20	5.20	5.21	5.50	5.51	5.51	5.52	5.52	5.83	5.84	5.85	5.85	5.85	6.18	6.19	6.20	6.20	6.20
	0°F(-17.8°C)	TC	41317	41372	41417	41419	41474	43806	43858	43902	43910	43962	46424	46484	46536	46544	46596	49221	49274	49328	49336	49397
		S/T	0.43	0.50	0.57	0.57	0.65	0.46	0.53	0.61	0.61	0.69	0.48	0.57	0.64	0.64	0.73	0.51	0.60	0.68	0.68	0.78
		PI	5.35	5.36	5.37	5.37	5.37	5.68	5.68	5.69	5.69	5.70	6.02	6.02	6.03	6.03	6.04	6.38	6.39	6.39	6.39	6.40
	5°F(-15.0°C)	TC	42906	42963	43010	43012	43070	45491	45545	45590	45599	45653	48209	48272	48326	48335	48389	51114	51169	51225	51233	51297
		S/T	0.43	0.51	0.58	0.58	0.66	0.46	0.54	0.61	0.61	0.70	0.48	0.57	0.65	0.65	0.74	0.51	0.60	0.69	0.69	0.78
		PI	5.56	5.57	5.57	5.57	5.58	5.90	5.90	5.91	5.91	5.92	6.25	6.26	6.26	6.26	6.27	6.62	6.63	6.64	6.64	6.65
	14°F(-10.0°C)	TC	44399	44459	44507	44509	44569	47075	47130	47177	47186	47242	49887	49952	50008	50017	50073	52893	52950	53008	53016	53082
		S/T	0.43	0.51	0.58	0.58	0.66	0.46	0.54	0.61	0.61	0.70	0.49	0.57	0.65	0.65	0.74	0.51	0.60	0.69	0.69	0.78
		PI	5.71	5.72	5.72	5.72	5.73	6.05	6.06	6.07	6.07	6.08	6.42	6.42	6.43	6.43	6.44	6.80	6.81	6.82	6.82	6.83
	17°F(-8.3°C)	TC	44897	44957	45006	45008	45068	47602	47659	47706	47715	47772	50446	50512	50568	50578	50634	53486	53544	53602	53611	53677
		S/T	0.43	0.51	0.58	0.58	0.66	0.46	0.54	0.61	0.61	0.70	0.49	0.57	0.65	0.65	0.74	0.52	0.61	0.69	0.69	0.79
		PI	5.76	5.77	5.77	5.77	5.78	6.11	6.11	6.12	6.12	6.13	6.47	6.48	6.49	6.49	6.50	6.86	6.87	6.88	6.88	6.89
	23°F(-5.0°C)	TC	46362	46425	46475	46477	46539	49156	49215	49263	49273	49331	52093	52161	52219	52229	52287	55232	55292	55352	55361	55430
		S/T	0.44	0.51	0.58	0.58	0.66	0.46	0.54	0.62	0.62	0.70	0.49	0.57	0.65	0.65	0.74	0.52	0.61	0.69	0.69	0.79
		PI	5.78	5.78	5.79	5.79	5.80	6.12	6.13	6.14	6.14	6.15	6.49	6.50	6.51	6.51	6.51	6.88	6.89	6.90	6.90	6.91
35°F(1.7°C)	TC	49293	49360	49413	49415	49482	52264	52326	52378	52388	52450	55386	55458	55520	55531	55593	58724	58787	58851	58861	58934	
	S/T	0.44	0.51	0.58	0.58	0.67	0.46	0.54	0.62	0.62	0.71	0.49	0.58	0.66	0.66	0.75	0.52	0.61	0.70	0.70	0.79	
	PI	5.81	5.82	5.82	5.82	5.83	6.16	6.17	6.17	6.18	6.18	6.53	6.54	6.54	6.55	6.55	6.92	6.93	6.94	6.94	6.95	
41°F(5.0°C)	TC	45197	45258	45306	45308	45369	47921	47977	48025	48034	48091	50784	50849	50906	50916	50972	53843	53902	53961	53969	54036	
	S/T	0.44	0.51	0.59	0.59	0.67	0.47	0.55	0.62	0.62	0.71	0.49	0.58	0.66	0.66	0.75	0.52	0.61	0.70	0.70	0.79	
	PI	4.38	4.39	4.39	4.39	4.40	4.64	4.65	4.65	4.65	4.66	4.92	4.93	4.93	4.93	4.94	5.22	5.22	5.23	5.23	5.24	
47°F(8.3°C)	TC	41100	41155	41200	41202	41257	43577	43629	43672	43680	43732	46181	46241	46292	46301	46352	48963	49016	49070	49077	49138	
	S/T	0.44	0.52	0.59	0.59	0.67	0.47	0.55	0.62	0.62	0.71	0.49	0.58	0.66	0.66	0.75	0.52	0.62	0.70	0.70	0.80	
	PI	2.95	2.95	2.96	2.96	2.96	3.13	3.13	3.13	3.13	3.14	3.31	3.32	3.32	3.32	3.33	3.51	3.52	3.52	3.52	3.53	
50°F(10.0°C)	TC	41443	41499	41543	41545	41601	43940	43992	44036	44045	44097	46566	46626	46678	46687	46739	49371	49425	49479	49486	49548	
	S/T	0.44	0.52	0.59	0.59	0.67	0.47	0.55	0.63	0.63	0.71	0.50	0.58	0.66	0.66	0.76	0.53	0.62	0.70	0.70	0.80	
	PI	2.93	2.93	2.93	2.93	2.94	3.10	3.11	3.11	3.11	3.11	3.29	3.29	3.30	3.30	3.30	3.49	3.49	3.49	3.49	3.50	
59°F(15.0°C)	TC	42471	42528	42574	42576	42633	45030	45084	45128	45137	45191	47721	47783	47836	47845	47898	50596	50651	50706	50714	50777	
	S/T	0.44	0.52	0.59	0.59	0.68	0.47	0.55	0.63	0.63	0.72	0.50	0.59	0.67	0.67	0.76	0.53	0.62	0.71	0.71	0.80	
	PI	2.86	2.86	2.86	2.86	2.87	3.03	3.03	3.03	3.03	3.04	3.04	3.21	3.21	3.22	3.22	3.22	3.40	3.41	3.41	3.41	

Manufacturer reserves the right to change, at any time, specifications and designs without notice and without obligations.

Table 16: Cooling Performance - 60K D5CUHA + D5FUHA (Sheet 4 of 8)

1500	68°F(20.0°C)	TC	43499	43557	43604	43606	43665	46120	46175	46220	46229	46284	48875	48939	48994	49003	49057	51820	51877	51933	51941	52006	
		S/T	0.46	0.54	0.61	0.61	0.69	0.48	0.57	0.65	0.65	0.65	0.74	0.51	0.60	0.68	0.68	0.78	0.54	0.64	0.72	0.73	0.83
		PI	2.79	2.79	2.79	2.79	2.80	2.95	2.96	2.96	2.96	2.96	2.96	3.13	3.13	3.14	3.14	3.14	3.32	3.32	3.33	3.33	3.33
	77°F(25.0°C)	TC	44527	44586	44634	44636	44697	47210	47266	47313	47322	47378	50030	50095	50151	50161	50217	53045	53103	53160	53169	53235	
		S/T	0.46	0.54	0.62	0.62	0.70	0.49	0.58	0.65	0.65	0.75	0.52	0.61	0.69	0.69	0.79	0.55	0.65	0.73	0.73	0.84	
		PI	2.72	2.72	2.72	2.72	2.73	2.88	2.88	2.89	2.89	2.89	3.05	3.06	3.06	3.06	3.06	3.24	3.24	3.24	3.24	3.25	
	82°F(27.8°C)	TC	45344	45405	45454	45456	45517	48076	48133	48181	48190	48248	50949	51015	51072	51081	51138	54018	54077	54136	54144	54212	
		S/T	0.47	0.55	0.62	0.62	0.71	0.50	0.58	0.66	0.66	0.75	0.53	0.62	0.70	0.70	0.80	0.56	0.65	0.74	0.74	0.85	
		PI	3.03	3.04	3.04	3.04	3.04	3.21	3.22	3.22	3.22	3.23	3.41	3.41	3.41	3.41	3.42	3.61	3.61	3.62	3.62	3.62	
	86°F(30.0°C)	TC	46308	46370	46420	46422	46485	49099	49157	49206	49215	49274	52032	52100	52158	52168	52226	55167	55227	55287	55296	55365	
		S/T	0.47	0.56	0.63	0.63	0.72	0.50	0.59	0.67	0.67	0.76	0.53	0.63	0.71	0.71	0.81	0.56	0.66	0.75	0.75	0.86	
		PI	3.73	3.73	3.74	3.74	3.74	3.95	3.96	3.96	3.96	3.97	4.19	4.20	4.20	4.20	4.21	4.44	4.45	4.45	4.45	4.46	
	95°F(35.0°C)	TC	48478	48543	48596	48598	48663	51400	51460	51511	51521	51583	54470	54541	54602	54612	54673	57752	57815	57878	57887	57959	
		S/T	0.47	0.56	0.63	0.63	0.72	0.50	0.59	0.67	0.67	0.76	0.53	0.63	0.71	0.71	0.81	0.56	0.66	0.75	0.75	0.86	
		PI	5.30	5.31	5.31	5.31	5.32	5.62	5.63	5.63	5.63	5.64	5.96	5.96	5.97	5.97	5.98	6.32	6.32	6.33	6.33	6.34	
	104°F(40.0°C)	TC	44363	44423	44471	44472	44532	47037	47092	47139	47148	47204	49847	49911	49967	49976	50032	52850	52907	52965	52973	53039	
		S/T	0.49	0.57	0.65	0.65	0.74	0.52	0.60	0.69	0.69	0.78	0.55	0.64	0.73	0.73	0.83	0.58	0.68	0.77	0.77	0.88	
		PI	5.23	5.24	5.24	5.24	5.25	5.54	5.55	5.56	5.56	5.56	5.87	5.88	5.89	5.89	5.90	6.23	6.24	6.24	6.24	6.25	
	110°F(43.0°C)	TC	41894	41950	41995	41997	42054	44419	44471	44515	44524	44577	47072	47134	47186	47195	47248	49909	49963	50017	50025	50087	
		S/T	0.50	0.59	0.67	0.67	0.77	0.53	0.63	0.71	0.71	0.81	0.57	0.66	0.75	0.76	0.86	0.60	0.70	0.80	0.80	0.91	
		PI	5.18	5.19	5.20	5.20	5.20	5.50	5.50	5.51	5.51	5.52	5.83	5.83	5.84	5.84	5.85	6.18	6.18	6.19	6.19	6.20	
115°F(46.0°C)	TC	35342	35389	35427	35429	35477	37472	37516	37553	37560	37605	39710	39762	39806	39814	39858	42103	42149	42195	42201	42254		
	S/T	0.51	0.60	0.68	0.68	0.78	0.54	0.63	0.72	0.72	0.82	0.57	0.67	0.76	0.76	0.87	0.61	0.71	0.81	0.81	0.92		
	PI	4.36	4.37	4.37	4.37	4.38	4.62	4.63	4.63	4.64	4.64	4.90	4.91	4.91	4.91	4.92	5.20	5.20	5.21	5.21	5.22		
122°F(50.0°C)	TC	26605	26641	26670	26671	26707	28209	28242	28270	28276	28309	29894	29933	29966	29972	30005	31695	31730	31764	31769	31809		
	S/T	0.52	0.61	0.70	0.70	0.79	0.55	0.65	0.74	0.74	0.84	0.59	0.69	0.78	0.78	0.89	0.62	0.73	0.83	0.83	0.94		
	PI	3.27	3.27	3.27	3.27	3.28	3.46	3.47	3.47	3.47	3.47	3.67	3.67	3.68	3.68	3.68	3.89	3.89	3.90	3.90	3.90		
1647	-22°F(-30.0°C)	TC	36421	36469	36509	36510	36560	38615	38661	38699	38707	38753	40922	40976	41021	41029	41075	43388	43435	43483	43489	43543	
		S/T	0.45	0.53	0.60	0.60	0.68	0.48	0.56	0.63	0.63	0.72	0.50	0.59	0.67	0.67	0.77	0.53	0.63	0.71	0.71	0.81	
		PI	4.72	4.73	4.73	4.73	4.74	5.00	5.01	5.02	5.02	5.02	5.30	5.31	5.32	5.32	5.32	5.62	5.63	5.64	5.64	5.64	
	-13°F(-25.0°C)	TC	39456	39509	39551	39553	39606	41833	41883	41924	41933	41982	44333	44390	44440	44448	44498	47004	47055	47106	47113	47172	
		S/T	0.45	0.53	0.60	0.60	0.69	0.48	0.56	0.64	0.64	0.73	0.51	0.60	0.68	0.68	0.77	0.54	0.63	0.72	0.72	0.82	
		PI	5.11	5.12	5.13	5.13	5.13	5.42	5.43	5.43	5.43	5.44	5.75	5.75	5.76	5.76	5.77	6.09	6.10	6.10	6.11	6.11	
	-4°F(-20.0°C)	TC	42491	42548	42594	42595	42653	45051	45105	45149	45158	45212	47743	47805	47858	47867	47920	50619	50674	50730	50738	50801	
		S/T	0.45	0.53	0.61	0.61	0.69	0.48	0.56	0.64	0.64	0.73	0.51	0.60	0.68	0.68	0.78	0.54	0.63	0.72	0.72	0.82	
		PI	5.51	5.51	5.52	5.52	5.53	5.84	5.85	5.85	5.85	5.86	6.19	6.20	6.20	6.20	6.21	6.56	6.57	6.57	6.58	6.58	

Manufacturer reserves the right to change, at any time, specifications and designs without notice and without obligations.

Table 16: Cooling Performance - 60K D5CUHA + D5FUHA (Sheet 5 of 8)

1647	0°F(-17.8°C)	TC	43840	43898	43946	43948	44007	46481	46537	46583	46592	46647	49258	49322	49377	49387	49442	52226	52283	52340	52348	52413	
		S/T	0.46	0.53	0.61	0.61	0.69	0.48	0.57	0.64	0.64	0.64	0.73	0.51	0.60	0.68	0.68	0.78	0.54	0.64	0.72	0.72	0.82
		PI	5.68	5.69	5.70	5.70	5.70	6.02	6.03	6.04	6.04	6.04	6.05	6.38	6.39	6.40	6.40	6.41	6.77	6.78	6.78	6.78	6.79
	5°F(-15.0°C)	TC	45526	45587	45636	45638	45700	48269	48326	48374	48384	48441	51153	51219	51277	51286	51343	54235	54294	54353	54362	54429	
		S/T	0.46	0.54	0.61	0.61	0.70	0.49	0.57	0.65	0.65	0.74	0.51	0.60	0.69	0.69	0.78	0.55	0.64	0.73	0.73	0.83	
		PI	5.90	5.91	5.91	5.91	5.92	6.26	6.26	6.27	6.27	6.28	6.63	6.64	6.65	6.65	6.65	7.03	7.04	7.04	7.05	7.05	
	14°F(-10.0°C)	TC	47110	47174	47224	47226	47290	49949	50008	50058	50068	50127	52933	53002	53061	53071	53130	56123	56184	56245	56254	56324	
		S/T	0.46	0.54	0.61	0.61	0.70	0.49	0.57	0.65	0.65	0.74	0.52	0.60	0.69	0.69	0.78	0.55	0.64	0.73	0.73	0.83	
		PI	6.06	6.07	6.07	6.07	6.08	6.42	6.43	6.44	6.44	6.45	6.81	6.82	6.82	6.83	6.83	7.22	7.23	7.23	7.23	7.24	
	17°F(-8.3°C)	TC	47638	47702	47754	47756	47820	50509	50569	50619	50629	50689	53527	53596	53656	53666	53726	56752	56814	56876	56884	56955	
		S/T	0.46	0.54	0.61	0.61	0.70	0.49	0.57	0.65	0.65	0.74	0.52	0.61	0.69	0.69	0.79	0.55	0.64	0.73	0.73	0.83	
		PI	6.11	6.12	6.13	6.13	6.13	6.48	6.49	6.49	6.50	6.50	6.87	6.88	6.88	6.88	6.89	7.28	7.29	7.30	7.30	7.31	
	23°F(-5.0°C)	TC	49193	49260	49313	49315	49381	52158	52220	52271	52282	52344	55274	55346	55408	55418	55480	58605	58668	58732	58741	58814	
		S/T	0.46	0.54	0.62	0.62	0.70	0.49	0.58	0.65	0.65	0.75	0.52	0.61	0.69	0.69	0.79	0.55	0.65	0.73	0.73	0.84	
		PI	6.13	6.14	6.14	6.14	6.15	6.50	6.51	6.51	6.51	6.52	6.89	6.90	6.90	6.91	6.91	7.30	7.31	7.32	7.32	7.33	
	35°F(1.7°C)	TC	52303	52374	52430	52433	52503	55455	55521	55576	55587	55653	58769	58845	58911	58921	58987	62310	62377	62445	62455	62533	
		S/T	0.46	0.55	0.62	0.62	0.71	0.49	0.58	0.66	0.66	0.75	0.52	0.61	0.70	0.70	0.79	0.55	0.65	0.74	0.74	0.84	
		PI	6.17	6.17	6.18	6.18	6.19	6.54	6.54	6.55	6.55	6.56	6.93	6.94	6.94	6.95	6.95	7.34	7.35	7.36	7.36	7.37	
	41°F(5.0°C)	TC	47957	48021	48073	48075	48140	50847	50907	50957	50967	51028	53885	53955	54015	54025	54085	57131	57193	57256	57264	57336	
		S/T	0.47	0.55	0.62	0.62	0.71	0.49	0.58	0.66	0.66	0.75	0.52	0.61	0.70	0.70	0.80	0.55	0.65	0.74	0.74	0.84	
		PI	4.65	4.65	4.66	4.66	4.67	4.93	4.93	4.94	4.94	4.94	5.22	5.23	5.23	5.24	5.24	5.54	5.54	5.55	5.55	5.56	
47°F(8.3°C)	TC	43610	43669	43716	43718	43777	46238	46293	46339	46348	46403	49001	49064	49119	49128	49183	51953	52009	52066	52074	52139		
	S/T	0.47	0.55	0.62	0.62	0.71	0.50	0.58	0.66	0.66	0.75	0.52	0.62	0.70	0.70	0.80	0.56	0.65	0.74	0.74	0.85		
	PI	3.13	3.13	3.14	3.14	3.14	3.32	3.32	3.33	3.33	3.33	3.52	3.52	3.52	3.53	3.53	3.73	3.73	3.74	3.74	3.74		
50°F(10.0°C)	TC	43974	44033	44080	44082	44141	46624	46679	46725	46734	46790	49409	49473	49528	49538	49593	52386	52443	52500	52508	52574		
	S/T	0.47	0.55	0.63	0.63	0.71	0.50	0.58	0.66	0.66	0.76	0.53	0.62	0.70	0.70	0.80	0.56	0.66	0.75	0.75	0.85		
	PI	3.10	3.11	3.11	3.11	3.12	3.29	3.30	3.30	3.30	3.30	3.49	3.49	3.50	3.50	3.50	3.70	3.70	3.71	3.71	3.71		
59°F(15.0°C)	TC	45064	45125	45173	45175	45236	47780	47837	47884	47893	47950	50635	50700	50757	50766	50823	53685	53744	53802	53811	53878		
	S/T	0.47	0.55	0.63	0.63	0.72	0.50	0.59	0.67	0.67	0.76	0.53	0.62	0.71	0.71	0.81	0.56	0.66	0.75	0.75	0.85		
	PI	3.03	3.03	3.04	3.04	3.04	3.21	3.22	3.22	3.22	3.22	3.41	3.41	3.41	3.41	3.42	3.61	3.61	3.62	3.62	3.62		
68°F(20.0°C)	TC	46155	46217	46267	46269	46331	48936	48994	49043	49052	49111	51860	51927	51985	51995	52053	54985	55044	55104	55113	55182		
	S/T	0.48	0.57	0.65	0.65	0.74	0.51	0.60	0.68	0.68	0.78	0.54	0.64	0.73	0.73	0.83	0.58	0.68	0.77	0.77	0.88		
	PI	2.96	2.96	2.96	2.96	2.97	3.13	3.14	3.14	3.14	3.15	3.32	3.33	3.33	3.33	3.33	3.52	3.53	3.53	3.53	3.53		
77°F(25.0°C)	TC	47246	47309	47360	47362	47426	50093	50152	50202	50212	50271	53086	53154	53214	53224	53283	56284	56345	56407	56415	56486		
	S/T	0.49	0.58	0.65	0.65	0.75	0.52	0.61	0.69	0.69	0.79	0.55	0.65	0.74	0.74	0.84	0.58	0.69	0.78	0.78	0.89		
	PI	2.88	2.89	2.89	2.89	2.89	3.06	3.06	3.06	3.06	3.07	3.24	3.24	3.25	3.25	3.25	3.43	3.44	3.44	3.44	3.45		

Manufacturer reserves the right to change, at any time, specifications and designs without notice and without obligations. 67

Table 16: Cooling Performance - 60K D5CUHA + D5FUHA (Sheet 6 of 8)

1647	82°F(27.8°C)	TC	48113	48177	48229	48231	48296	51012	51073	51123	51133	51194	54060	54130	54190	54200	54261	57317	57379	57442	57451	57522	
		S/T	0.50	0.58	0.66	0.66	0.76	0.53	0.62	0.70	0.70	0.80	0.56	0.66	0.74	0.74	0.85	0.59	0.69	0.79	0.79	0.90	
		PI	3.22	3.22	3.22	3.22	3.23	3.41	3.41	3.42	3.42	3.42	3.61	3.62	3.62	3.62	3.63	3.83	3.84	3.84	3.84	3.85	
	86°F(30.0°C)	TC	49136	49202	49255	49257	49324	52097	52159	52210	52221	52283	55210	55281	55343	55353	55415	58536	58600	58664	58673	58746	
		S/T	0.50	0.59	0.67	0.67	0.76	0.53	0.63	0.71	0.71	0.81	0.57	0.66	0.75	0.75	0.86	0.60	0.70	0.80	0.80	0.91	
		PI	3.96	3.96	3.97	3.97	3.97	4.20	4.20	4.21	4.21	4.21	4.45	4.45	4.46	4.46	4.46	4.71	4.72	4.72	4.73	4.73	
	95°F(35.0°C)	TC	51438	51508	51563	51565	51635	54538	54603	54657	54668	54732	57797	57872	57936	57947	58012	61279	61346	61412	61422	61498	
		S/T	0.50	0.59	0.67	0.67	0.76	0.53	0.63	0.71	0.71	0.81	0.57	0.66	0.75	0.75	0.86	0.60	0.70	0.80	0.80	0.91	
		PI	5.63	5.63	5.64	5.64	5.65	5.96	5.97	5.98	5.98	5.99	6.32	6.33	6.34	6.34	6.34	6.70	6.71	6.72	6.72	6.73	
	104°F(40.0°C)	TC	47072	47135	47186	47188	47252	49909	49968	50017	50027	50086	52891	52959	53018	53028	53087	56077	56138	56199	56208	56278	
		S/T	0.52	0.61	0.69	0.69	0.78	0.55	0.64	0.73	0.73	0.83	0.58	0.68	0.77	0.77	0.88	0.61	0.72	0.82	0.82	0.93	
		PI	5.55	5.56	5.56	5.56	5.57	5.88	5.89	5.89	5.90	5.90	6.23	6.24	6.25	6.25	6.26	6.61	6.62	6.62	6.62	6.63	
	110°F(43.0°C)	TC	44452	44512	44560	44562	44622	47131	47187	47233	47243	47299	49947	50012	50068	50077	50133	52956	53014	53072	53080	53146	
		S/T	0.53	0.63	0.71	0.71	0.81	0.57	0.67	0.76	0.76	0.86	0.60	0.70	0.80	0.80	0.91	0.64	0.75	0.85	0.85	0.97	
		PI	5.50	5.51	5.51	5.51	5.52	5.83	5.84	5.84	5.85	5.85	6.18	6.19	6.20	6.20	6.20	6.55	6.56	6.57	6.57	6.58	
	115°F(46.0°C)	TC	37500	37550	37591	37592	37643	39760	39807	39846	39854	39901	42135	42190	42237	42245	42292	44674	44723	44771	44778	44834	
		S/T	0.54	0.63	0.72	0.72	0.82	0.57	0.67	0.76	0.76	0.87	0.61	0.71	0.81	0.81	0.92	0.64	0.76	0.86	0.86	0.98	
		PI	4.63	4.63	4.64	4.64	4.65	4.91	4.91	4.92	4.92	4.92	5.20	5.21	5.21	5.21	5.22	5.51	5.52	5.53	5.53	5.53	
	122°F(50.0°C)	TC	28230	28268	28299	28300	28338	29931	29967	29996	30002	30038	31720	31761	31796	31802	31838	33631	33667	33704	33709	33751	
		S/T	0.55	0.65	0.74	0.74	0.84	0.59	0.69	0.78	0.78	0.89	0.62	0.73	0.83	0.83	0.95	0.66	0.77	0.88	0.88	1.00	
		PI	3.46	3.47	3.47	3.47	3.48	3.67	3.68	3.68	3.68	3.69	3.89	3.90	3.90	3.90	3.91	4.13	4.13	4.14	4.14	4.14	
	1800	-22°F(-30.0°C)	TC	38645	38696	38738	38740	38792	40973	41022	41062	41071	41119	43421	43478	43526	43534	43583	46038	46088	46138	46145	46202
			S/T	0.48	0.56	0.63	0.63	0.72	0.50	0.59	0.67	0.67	0.77	0.53	0.63	0.71	0.71	0.81	0.57	0.67	0.76	0.76	0.86
			PI	5.01	5.01	5.02	5.02	5.03	5.31	5.32	5.32	5.32	5.33	5.63	5.63	5.64	5.64	5.65	5.97	5.97	5.98	5.98	5.99
-13°F(-25.0°C)		TC	41865	41921	41966	41968	42025	44388	44440	44484	44493	44546	47040	47101	47153	47162	47215	49874	49928	49983	49990	50053	
		S/T	0.48	0.56	0.64	0.64	0.73	0.51	0.60	0.68	0.68	0.77	0.54	0.63	0.72	0.72	0.82	0.57	0.67	0.76	0.76	0.87	
		PI	5.43	5.43	5.44	5.44	5.45	5.75	5.76	5.76	5.77	5.77	6.10	6.10	6.11	6.11	6.12	6.46	6.47	6.48	6.48	6.49	
-4°F(-20.0°C)		TC	45085	45146	45195	45197	45257	47802	47859	47906	47916	47973	50658	50724	50781	50790	50847	53710	53769	53827	53836	53903	
		S/T	0.48	0.57	0.64	0.64	0.73	0.51	0.60	0.68	0.68	0.78	0.54	0.64	0.72	0.72	0.82	0.57	0.67	0.77	0.77	0.87	
		PI	5.84	5.85	5.86	5.86	5.87	6.19	6.20	6.21	6.21	6.22	6.57	6.57	6.58	6.58	6.59	6.96	6.97	6.98	6.98	6.99	
0°F(-17.8°C)		TC	46517	46579	46629	46631	46694	49320	49378	49427	49437	49495	52266	52334	52393	52402	52461	55416	55476	55536	55545	55614	
		S/T	0.48	0.57	0.64	0.64	0.73	0.51	0.60	0.68	0.68	0.78	0.54	0.64	0.72	0.72	0.83	0.58	0.68	0.77	0.77	0.88	
		PI	6.03	6.04	6.04	6.04	6.05	6.39	6.40	6.41	6.41	6.41	6.77	6.78	6.79	6.79	6.80	7.18	7.19	7.20	7.20	7.21	
5°F(-15.0°C)		TC	48306	48371	48423	48425	48490	51217	51277	51328	51338	51399	54277	54347	54408	54418	54479	57547	57610	57672	57681	57753	
		S/T	0.49	0.57	0.65	0.65	0.74	0.51	0.60	0.69	0.69	0.78	0.55	0.64	0.73	0.73	0.83	0.58	0.68	0.77	0.77	0.88	
		PI	6.26	6.27	6.28	6.28	6.28	6.64	6.65	6.65	6.65	6.66	7.03	7.04	7.05	7.05	7.06	7.46	7.47	7.47	7.48	7.48	

Manufacturer reserves the right to change, at any time, specifications and designs without notice and without obligations.

Table 16: Cooling Performance - 60K D5CUHA + D5FUHA (Sheet 7 of 8)

1800	14°F(-10.0°C)	TC	49987	50054	50108	50110	50178	52999	53062	53115	53125	53188	56166	56239	56301	56312	56375	59550	59615	59679	59689	59763
		S/T	0.49	0.57	0.65	0.65	0.74	0.52	0.61	0.69	0.69	0.78	0.55	0.64	0.73	0.73	0.83	0.58	0.68	0.77	0.77	0.88
		PI	6.43	6.44	6.44	6.44	6.45	6.82	6.82	6.83	6.83	6.84	7.22	7.23	7.24	7.24	7.25	7.66	7.67	7.68	7.68	7.69
	17°F(-8.3°C)	TC	50547	50615	50670	50672	50740	53594	53657	53710	53721	53784	56795	56869	56933	56943	57007	60218	60283	60349	60358	60433
		S/T	0.49	0.57	0.65	0.65	0.74	0.52	0.61	0.69	0.69	0.79	0.55	0.64	0.73	0.73	0.83	0.58	0.68	0.78	0.78	0.88
		PI	6.48	6.49	6.50	6.50	6.51	6.88	6.88	6.89	6.89	6.90	7.29	7.30	7.30	7.31	7.31	7.73	7.73	7.74	7.74	7.75
	23°F(-5.0°C)	TC	52197	52268	52324	52326	52397	55343	55409	55463	55474	55540	58649	58726	58791	58802	58868	62183	62251	62318	62328	62406
		S/T	0.49	0.58	0.65	0.65	0.75	0.52	0.61	0.69	0.69	0.79	0.55	0.65	0.74	0.74	0.84	0.58	0.69	0.78	0.78	0.89
		PI	6.50	6.51	6.52	6.52	6.53	6.90	6.90	6.91	6.91	6.92	7.31	7.32	7.33	7.33	7.33	7.75	7.76	7.76	7.77	7.78
	35°F(1.7°C)	TC	55497	55572	55632	55634	55709	58842	58911	58970	58981	59051	62357	62438	62508	62519	62589	66114	66186	66258	66269	66351
		S/T	0.49	0.58	0.66	0.66	0.75	0.52	0.61	0.70	0.70	0.79	0.55	0.65	0.74	0.74	0.84	0.59	0.69	0.78	0.78	0.89
		PI	6.54	6.55	6.56	6.56	6.57	6.94	6.94	6.95	6.95	6.96	7.35	7.36	7.37	7.37	7.38	7.79	7.80	7.81	7.81	7.82
	41°F(5.0°C)	TC	50885	50954	51008	51011	51079	53952	54016	54069	54080	54144	57175	57249	57313	57324	57388	60620	60686	60752	60761	60837
		S/T	0.49	0.58	0.66	0.66	0.75	0.52	0.61	0.70	0.70	0.80	0.56	0.65	0.74	0.74	0.84	0.59	0.69	0.78	0.78	0.89
		PI	4.93	4.94	4.94	4.94	4.95	5.23	5.23	5.24	5.24	5.25	5.54	5.55	5.55	5.56	5.56	5.87	5.88	5.89	5.89	5.90
	47°F(8.3°C)	TC	46273	46335	46385	46387	46450	49062	49120	49168	49178	49236	51993	52060	52118	52128	52186	55125	55185	55245	55254	55323
		S/T	0.50	0.58	0.66	0.66	0.75	0.53	0.62	0.70	0.70	0.80	0.56	0.65	0.74	0.74	0.85	0.59	0.69	0.79	0.79	0.90
		PI	3.32	3.33	3.33	3.33	3.33	3.52	3.52	3.53	3.53	3.53	3.73	3.74	3.74	3.74	3.74	3.96	3.96	3.96	3.97	3.97
	50°F(10.0°C)	TC	46659	46721	46772	46774	46837	49471	49529	49578	49588	49647	52426	52494	52553	52563	52621	55585	55645	55706	55715	55784
		S/T	0.50	0.58	0.66	0.66	0.76	0.53	0.62	0.70	0.70	0.80	0.56	0.66	0.75	0.75	0.85	0.59	0.70	0.79	0.79	0.90
		PI	3.29	3.30	3.30	3.30	3.31	3.49	3.50	3.50	3.50	3.51	3.70	3.71	3.71	3.71	3.72	3.92	3.93	3.93	3.93	3.94
	59°F(15.0°C)	TC	47816	47880	47932	47934	47999	50698	50758	50808	50818	50878	53727	53796	53856	53866	53926	56964	57026	57088	57097	57168
		S/T	0.50	0.59	0.67	0.67	0.76	0.53	0.62	0.71	0.71	0.81	0.56	0.66	0.75	0.75	0.86	0.60	0.70	0.80	0.80	0.91
		PI	3.22	3.22	3.22	3.22	3.23	3.41	3.41	3.42	3.42	3.42	3.61	3.62	3.62	3.62	3.63	3.83	3.83	3.84	3.84	3.84
68°F(20.0°C)	TC	48973	49039	49092	49094	49160	51925	51986	52037	52048	52110	55027	55098	55160	55170	55232	58342	58406	58469	58478	58551	
	S/T	0.51	0.60	0.69	0.69	0.78	0.54	0.64	0.73	0.73	0.83	0.58	0.68	0.77	0.77	0.88	0.61	0.72	0.82	0.82	0.93	
	PI	3.14	3.14	3.14	3.14	3.15	3.33	3.33	3.33	3.33	3.34	3.52	3.53	3.53	3.53	3.54	3.74	3.74	3.74	3.75	3.75	
77°F(25.0°C)	TC	50131	50198	50252	50254	50322	53152	53215	53267	53278	53341	56327	56400	56463	56474	56537	59721	59786	59851	59860	59935	
	S/T	0.52	0.61	0.69	0.69	0.79	0.55	0.65	0.74	0.74	0.84	0.59	0.69	0.78	0.78	0.89	0.62	0.73	0.83	0.83	0.94	
	PI	3.06	3.06	3.07	3.07	3.07	3.24	3.25	3.25	3.25	3.25	3.44	3.44	3.44	3.44	3.45	3.64	3.65	3.65	3.65	3.66	
82°F(27.8°C)	TC	51051	51119	51174	51177	51246	54127	54191	54245	54256	54320	57361	57435	57499	57510	57574	60817	60883	60949	60959	61035	
	S/T	0.53	0.62	0.70	0.70	0.80	0.56	0.66	0.75	0.75	0.85	0.59	0.70	0.79	0.79	0.90	0.63	0.74	0.84	0.84	0.95	
	PI	3.41	3.42	3.42	3.42	3.43	3.62	3.62	3.63	3.63	3.63	3.83	3.84	3.84	3.84	3.85	4.07	4.07	4.07	4.07	4.08	
86°F(30.0°C)	TC	52136	52207	52263	52265	52336	55278	55344	55399	55409	55475	58581	58657	58722	58733	58799	62111	62178	62246	62255	62333	
	S/T	0.53	0.63	0.71	0.71	0.81	0.57	0.66	0.75	0.75	0.86	0.60	0.70	0.80	0.80	0.91	0.64	0.75	0.85	0.85	0.97	
	PI	4.20	4.20	4.21	4.21	4.22	4.45	4.46	4.46	4.46	4.46	4.47	4.72	4.72	4.73	4.73	4.74	5.00	5.01	5.01	5.01	5.02

Manufacturer reserves the right to change, at any time, specifications and designs without notice and without obligations.

Table 16: Cooling Performance - 60K D5CUHA + D5FUHA (Sheet 8 of 8)

1800	95°F(35.0°C)	TC	54579	54653	54712	54714	54788	57869	57937	57994	58006	58075	61326	61406	61474	61485	61554	65021	65092	65162	65173	65254
		S/T	0.53	0.63	0.71	0.71	0.81	0.57	0.66	0.75	0.75	0.86	0.60	0.70	0.80	0.80	0.91	0.64	0.75	0.85	0.85	0.97
		PI	5.97	5.98	5.98	5.98	5.99	6.33	6.34	6.34	6.34	6.35	6.71	6.72	6.72	6.72	6.73	7.11	7.12	7.13	7.13	7.14
	104°F(40.0°C)	TC	49946	50014	50067	50070	50137	52956	53019	53071	53082	53145	56120	56193	56256	56266	56329	59502	59566	59631	59640	59715
		S/T	0.55	0.64	0.73	0.73	0.83	0.58	0.68	0.77	0.77	0.88	0.62	0.72	0.82	0.82	0.93	0.65	0.76	0.87	0.87	0.99
		PI	5.89	5.89	5.90	5.90	5.91	6.24	6.25	6.25	6.26	6.26	6.61	6.62	6.63	6.63	6.64	7.01	7.02	7.03	7.03	7.04
	110°F(43.0°C)	TC	47167	47230	47281	47283	47347	50009	50068	50118	50128	50187	52997	53066	53125	53135	53194	56190	56251	56312	56321	56391
		S/T	0.57	0.67	0.76	0.76	0.86	0.60	0.71	0.80	0.80	0.91	0.64	0.75	0.85	0.85	0.97	0.68	0.79	0.90	0.90	1.00
		PI	5.84	5.84	5.85	5.85	5.86	6.19	6.20	6.20	6.20	6.21	6.56	6.57	6.57	6.58	6.58	6.95	6.96	6.97	6.97	6.98
	115°F(46.0°C)	TC	39790	39843	39886	39888	39942	42188	42238	42279	42288	42338	44708	44766	44816	44824	44874	47402	47453	47505	47512	47572
		S/T	0.57	0.67	0.77	0.77	0.87	0.61	0.71	0.81	0.81	0.92	0.65	0.76	0.86	0.86	0.98	0.68	0.80	0.91	0.91	1.00
		PI	4.91	4.92	4.92	4.92	4.93	5.21	5.21	5.22	5.22	5.23	5.52	5.53	5.53	5.53	5.54	5.85	5.86	5.86	5.86	5.87
	122°F(50.0°C)	TC	29954	29994	30027	30028	30068	31759	31797	31828	31834	31872	33657	33700	33738	33744	33782	35684	35723	35762	35768	35812
		S/T	0.59	0.69	0.78	0.78	0.89	0.62	0.73	0.83	0.83	0.95	0.66	0.77	0.88	0.88	1.00	0.70	0.82	0.93	0.93	1.00
		PI	3.68	3.68	3.69	3.69	3.69	3.90	3.90	3.91	3.91	3.91	4.13	4.14	4.14	4.14	4.15	4.38	4.38	4.39	4.39	4.40

Manufacturer reserves the right to change, at any time, specifications and designs without notice and without obligations.

Table 17: Heating Performance - 60K D5CUHA + D5FUHA (Sheet 1 of 2)

AIRFLOW (CFM)	HEATING PERFORMANCE AT INDOOR DRY BULB TEMPERATURE										
	OUTDOOR DB °F (°C)	TC: TOTAL HEATING CAPACITY (BTU/HR)					PI: POWER INPUT (KW)				
		INDOOR CONDITIONS(DB °F)					INDOOR CONDITIONS(DB °F)				
		60.8°F (16.0°C)	68°F (20.0°C)	70°F (21.1°C)	71.6°F (22.0°C)	75.2°F (24.0°C)	60.8°F (16.0°C)	68°F (20.0°C)	70°F (21.1°C)	71.6°F (22.0°C)	75.2°F (24.0°C)
1235	-22°F(-30.0°C)	30795	30179	30028	30816	30539	6.21	6.26	6.28	6.29	6.31
	-13°F(-25.0°C)	38049	37288	37102	36610	36281	6.57	6.62	6.64	6.65	6.68
	-4°F(-20.0°C)	42914	42056	41846	41292	40920	6.96	7.01	7.03	7.04	7.07
	0°F(-17.8°C)	45524	44614	44391	43803	43409	7.29	7.35	7.36	7.37	7.40
	5°F(-15.0°C)	48787	47811	47572	46943	46520	7.70	7.76	7.78	7.79	7.82
	14°F(-10.0°C)	47146	46203	45972	45364	44955	6.91	6.97	6.98	7.00	7.03
	17°F(-8.3°C)	46599	45667	45439	44837	44434	6.65	6.70	6.72	6.73	6.76
	22°F(-5.6°C)	45699	44785	44561	43971	43576	6.38	6.43	6.44	6.46	6.48
	27°F(-2.8°C)	44799	43903	43684	43106	42718	6.11	6.16	6.17	6.18	6.20
	32°F(-0.0°C)	43899	43021	42806	42240	41860	5.83	5.88	5.89	5.90	5.93
	35°F(1.7°C)	43360	42492	42280	41720	41345	5.67	5.72	5.73	5.74	5.76
	37°F(2.8°C)	44667	43774	43555	42979	42592	5.64	5.69	5.70	5.71	5.73
	42°F(5.6°C)	47937	46978	46743	46125	45709	5.57	5.61	5.62	5.64	5.66
	44.6°F(7.0°C)	49245	48260	48019	47383	46957	5.54	5.58	5.60	5.61	5.63
	47°F(8.3°C)	51207	50182	49932	49271	48827	5.50	5.54	5.55	5.56	5.59
	52°F(11.1°C)	48948	47969	47729	47097	46673	5.03	5.07	5.08	5.09	5.11
	57°F(13.9°C)	46689	45755	45526	44924	44519	4.57	4.61	4.62	4.63	4.64
	59°F(15.0°C)	45785	44870	44645	44054	43658	4.38	4.42	4.43	4.44	4.46
	62°F(16.7°C)	44430	43541	43324	42750	42365	4.11	4.14	4.15	4.16	4.17
	64.4°F(18.0°C)	43526	42656	42443	41881	41504	3.92	3.95	3.96	3.97	3.98
1500	-22°F(-30.0°C)	33323	32656	32493	32850	32555	6.28	6.33	6.34	6.35	6.38
	-13°F(-25.0°C)	40373	39565	39367	39027	38676	6.64	6.69	6.70	6.72	6.74
	-4°F(-20.0°C)	45535	44624	44401	44018	43622	7.03	7.08	7.10	7.11	7.14
	0°F(-17.8°C)	48304	47338	47102	46695	46275	7.36	7.42	7.43	7.45	7.48
	5°F(-15.0°C)	51766	50731	50477	50042	49591	7.78	7.84	7.86	7.87	7.90
	14°F(-10.0°C)	50025	49025	48779	48358	47923	6.98	7.04	7.05	7.07	7.10
	17°F(-8.3°C)	49445	48456	48213	47797	47367	6.72	6.77	6.79	6.80	6.83
	22°F(-5.6°C)	48490	47520	47282	46874	46453	6.44	6.49	6.51	6.52	6.55
	27°F(-2.8°C)	47535	46584	46351	45951	45538	6.17	6.22	6.23	6.24	6.27
	32°F(-0.0°C)	46580	45649	45420	45028	44623	5.89	5.94	5.95	5.96	5.99
	35°F(1.7°C)	46007	45087	44862	44475	44074	5.73	5.77	5.78	5.80	5.82
	37°F(2.8°C)	47395	46447	46215	45816	45404	5.70	5.74	5.76	5.77	5.79
	42°F(5.6°C)	50864	49847	49598	49170	48727	5.62	5.67	5.68	5.69	5.72
	44.6°F(7.0°C)	52252	51207	50951	50511	50057	5.60	5.64	5.65	5.66	5.69
	47°F(8.3°C)	54333	53247	52981	52523	52051	5.55	5.60	5.61	5.62	5.64
	52°F(11.1°C)	51937	50898	50643	50206	49755	5.08	5.13	5.14	5.15	5.17
	57°F(13.9°C)	49540	48549	48306	47889	47458	4.62	4.65	4.66	4.67	4.69
	59°F(15.0°C)	48581	47610	47372	46963	46540	4.43	4.46	4.47	4.48	4.50
	62°F(16.7°C)	47143	46200	45969	45573	45162	4.15	4.18	4.19	4.20	4.22
	64.4°F(18.0°C)	46184	45261	45034	44646	44244	3.96	3.99	4.00	4.01	4.02

Table 17: Heating Performance - 60K D5CUHA + D5FUHA (Sheet 2 of 2)

1647	-22°F(-30.0°C)	36058	35336	35160	35019	34704	6.34	6.39	6.40	6.42	6.44
	-13°F(-25.0°C)	42838	41981	41771	41604	41230	6.70	6.76	6.77	6.78	6.81
	-4°F(-20.0°C)	48315	47349	47112	46924	46502	7.10	7.15	7.17	7.18	7.21
	0°F(-17.8°C)	51254	50229	49978	49778	49330	7.43	7.49	7.51	7.52	7.55
	5°F(-15.0°C)	54927	53829	53560	53345	52865	7.86	7.92	7.94	7.95	7.98
	14°F(-10.0°C)	53080	52018	51758	51551	51087	7.05	7.11	7.13	7.14	7.17
	17°F(-8.3°C)	52464	51415	51158	50953	50494	6.79	6.84	6.85	6.87	6.90
	22°F(-5.6°C)	51451	50422	50170	49969	49519	6.51	6.56	6.57	6.59	6.61
	27°F(-2.8°C)	50438	49429	49182	48985	48544	6.23	6.28	6.29	6.31	6.33
	32°F(-0.0°C)	49425	48436	48194	48001	47569	5.95	6.00	6.01	6.02	6.05
	35°F(1.7°C)	48817	47840	47601	47411	46984	5.78	5.83	5.84	5.85	5.88
	37°F(2.8°C)	50289	49283	49037	48841	48401	5.76	5.80	5.81	5.82	5.85
	42°F(5.6°C)	53970	52891	52626	52416	51944	5.68	5.73	5.74	5.75	5.77
	44.6°F(7.0°C)	55443	54334	54062	53846	53361	5.65	5.70	5.71	5.72	5.74
	47°F(8.3°C)	57651	56498	56216	55991	55487	5.61	5.65	5.66	5.68	5.70
	52°F(11.1°C)	55108	54006	53736	53521	53039	5.14	5.18	5.19	5.20	5.22
	57°F(13.9°C)	52565	51514	51256	51051	50592	4.66	4.70	4.71	4.72	4.74
	59°F(15.0°C)	51548	50517	50264	50063	49613	4.47	4.51	4.52	4.53	4.55
	62°F(16.7°C)	50022	49021	48776	48581	48144	4.19	4.22	4.23	4.24	4.26
	64.4°F(18.0°C)	49005	48025	47784	47593	47165	4.00	4.03	4.04	4.05	4.07
1800	-22°F(-30.0°C)	38259	37494	37307	37158	36823	6.40	6.46	6.47	6.48	6.51
	-13°F(-25.0°C)	45454	44545	44322	44145	43747	6.77	6.83	6.84	6.85	6.88
	-4°F(-20.0°C)	51266	50240	49989	49789	49341	7.17	7.23	7.24	7.26	7.28
	0°F(-17.8°C)	54384	53296	53030	52818	52342	7.51	7.57	7.59	7.60	7.63
	5°F(-15.0°C)	58281	57116	56830	56603	56094	7.94	8.00	8.02	8.03	8.06
	14°F(-10.0°C)	56321	55195	54919	54699	54207	7.13	7.18	7.20	7.21	7.24
	17°F(-8.3°C)	55668	54554	54282	54064	53578	6.85	6.91	6.92	6.94	6.97
	22°F(-5.6°C)	54593	53501	53233	53020	52543	6.57	6.63	6.64	6.65	6.68
	27°F(-2.8°C)	53518	52447	52185	51976	51508	6.29	6.34	6.36	6.37	6.39
	32°F(-0.0°C)	52443	51394	51137	50932	50474	6.01	6.06	6.07	6.08	6.11
	35°F(1.7°C)	51798	50762	50508	50306	49853	5.84	5.89	5.90	5.91	5.94
	37°F(2.8°C)	53360	52293	52031	51823	51357	5.81	5.86	5.87	5.88	5.91
	42°F(5.6°C)	57266	56121	55840	55617	55116	5.74	5.79	5.80	5.81	5.83
	44.6°F(7.0°C)	58828	57652	57363	57134	56620	5.71	5.76	5.77	5.78	5.80
	47°F(8.3°C)	61172	59948	59649	59410	58875	5.66	5.71	5.72	5.73	5.76
	52°F(11.1°C)	58473	57304	57017	56789	56278	5.19	5.23	5.24	5.25	5.27
	57°F(13.9°C)	55775	54659	54386	54169	53681	4.71	4.75	4.76	4.77	4.79
	59°F(15.0°C)	54695	53602	53334	53120	52642	4.52	4.56	4.56	4.57	4.59
	62°F(16.7°C)	53076	52015	51755	51548	51084	4.23	4.27	4.27	4.28	4.30
	64.4°F(18.0°C)	51997	50957	50702	50500	50045	4.04	4.07	4.08	4.09	4.11

HEATING AND COOLING PERFORMANCE - AIR HANDLER (D5CUHA + D5FUAA)

Table 18: Cooling Performance - 18K D5CUHA + D5FUAA (Sheet 1 of 9)

AIRFLOW (CFM)	OUTDOOR DB °F (°C)	ID WB(F)	60.8 (16.0)					64.4 (18.0)					67(19.4)					71.6(22.0)				
		ID DB(F)	73.4	77.0	80.0	80.6	84.2	73.4	77.0	80.0	80.6	84.2	73.4	77.0	80.0	80.6	84.2	73.4	77.0	80.0	80.6	84.2
			(23.0)	(25.0)	(26.7)	(27.0)	(29.0)	(23.0)	(25.0)	(26.7)	(27.0)	(29.0)	(23.0)	(25.0)	(26.7)	(27.0)	(29.0)	(23.0)	(25.0)	(26.7)	(27.0)	(29.0)
490	-22 (-30.0)	TC	15073	15089	15089	15110	15959	15978	15994	15997	16016	16913	16935	16954	16957	16976	17932	17951	17971	17974	17996	15073
		S/T	0.50	0.57	0.57	0.65	0.45	0.53	0.60	0.60	0.69	0.48	0.56	0.64	0.64	0.73	0.51	0.60	0.68	0.68	0.77	0.50
		PI	0.46	0.46	0.46	0.46	0.49	0.49	0.49	0.49	0.49	0.51	0.51	0.52	0.52	0.52	0.55	0.55	0.55	0.55	0.55	0.55
	-13°F (-25.0°C)	TC	16329	16346	16347	16369	17289	17310	17327	17330	17351	18322	18346	18367	18370	18391	19426	19447	19469	19472	19496	16329
		S/T	0.50	0.57	0.57	0.65	0.45	0.53	0.61	0.61	0.69	0.48	0.57	0.64	0.64	0.73	0.51	0.60	0.68	0.68	0.78	0.50
		PI	0.50	0.50	0.50	0.50	0.53	0.53	0.53	0.53	0.53	0.56	0.56	0.56	0.56	0.56	0.59	0.59	0.59	0.59	0.59	0.59
	-4°F (-20.0°C)	TC	17585	17604	17604	17628	18619	18641	18660	18664	18686	19732	19757	19779	19783	19805	20921	20943	20966	20969	20996	17585
		S/T	0.51	0.57	0.57	0.66	0.46	0.54	0.61	0.61	0.69	0.48	0.57	0.65	0.65	0.74	0.51	0.60	0.68	0.68	0.78	0.51
		PI	0.53	0.54	0.54	0.54	0.57	0.57	0.57	0.57	0.57	0.60	0.60	0.60	0.60	0.60	0.64	0.64	0.64	0.64	0.64	0.64
	0°F (-17.8°C)	TC	18143	18162	18163	18188	19210	19233	19252	19256	19279	20358	20385	20407	20411	20434	21585	21608	21632	21635	21662	18143
		S/T	0.51	0.58	0.58	0.66	0.46	0.54	0.61	0.61	0.70	0.49	0.57	0.65	0.65	0.74	0.52	0.60	0.69	0.69	0.78	0.51
		PI	0.55	0.55	0.55	0.55	0.58	0.58	0.59	0.59	0.59	0.62	0.62	0.62	0.62	0.62	0.66	0.66	0.66	0.66	0.66	0.66
	5°F (-15.0°C)	TC	18841	18861	18862	18887	19949	19973	19993	19997	20020	21141	21169	21192	21196	21220	22415	22439	22464	22467	22495	18841
		S/T	0.51	0.58	0.58	0.66	0.46	0.54	0.61	0.61	0.70	0.49	0.57	0.65	0.65	0.74	0.52	0.61	0.69	0.69	0.79	0.51
		PI	0.57	0.57	0.57	0.57	0.61	0.61	0.61	0.61	0.61	0.64	0.64	0.64	0.64	0.64	0.68	0.68	0.68	0.68	0.68	0.68
	14°F (-10.0°C)	TC	17497	17516	17517	17541	18527	18549	18567	18571	18593	19634	19659	19681	19685	19707	20817	20840	20862	20865	20891	17497
		S/T	0.51	0.58	0.58	0.66	0.46	0.54	0.62	0.62	0.70	0.49	0.57	0.65	0.65	0.74	0.52	0.61	0.69	0.69	0.79	0.51
		PI	0.64	0.64	0.64	0.64	0.68	0.68	0.68	0.68	0.68	0.72	0.72	0.72	0.72	0.72	0.76	0.77	0.77	0.77	0.77	0.77
	17°F (-8.3°C)	TC	17050	17068	17069	17092	18053	18074	18092	18096	18117	19132	19156	19178	19181	19203	20284	20306	20328	20332	20357	17050
		S/T	0.51	0.58	0.58	0.66	0.46	0.54	0.62	0.62	0.70	0.49	0.58	0.65	0.65	0.75	0.52	0.61	0.69	0.69	0.79	0.51
		PI	0.67	0.67	0.67	0.67	0.70	0.71	0.71	0.71	0.71	0.75	0.75	0.75	0.75	0.75	0.79	0.79	0.79	0.79	0.79	0.79
	23°F (-5.0°C)	TC	16578	16596	16597	16619	17554	17575	17592	17596	17616	18603	18627	18648	18651	18672	19724	19745	19766	19770	19794	16578
		S/T	0.52	0.59	0.59	0.67	0.47	0.55	0.62	0.62	0.71	0.49	0.58	0.66	0.66	0.75	0.52	0.61	0.70	0.70	0.79	0.52
		PI	0.69	0.69	0.69	0.69	0.73	0.73	0.73	0.73	0.73	0.77	0.77	0.77	0.77	0.78	0.82	0.82	0.82	0.82	0.82	0.82
	35°F (1.7°C)	TC	15636	15653	15653	15675	16556	16576	16592	16595	16615	17545	17568	17587	17591	17610	18602	18622	18643	18646	18669	15636
		S/T	0.52	0.59	0.59	0.67	0.47	0.55	0.62	0.62	0.71	0.50	0.58	0.66	0.66	0.75	0.53	0.62	0.70	0.70	0.80	0.52
		PI	0.73	0.74	0.74	0.74	0.78	0.78	0.78	0.78	0.78	0.82	0.83	0.83	0.83	0.83	0.87	0.88	0.88	0.88	0.88	0.88

Manufacturer reserves the right to change, at any time, specifications and designs without notice and without obligations.

Table 18: Cooling Performance - 18K D5CUHA + D5FUA (Sheet 2 of 9)

Manufacturer reserves the right to change, at any time, specifications and designs without notice and without obligations. 74	490	41°F (5.0°C)	TC	15994	16011	16012	16034	16935	16955	16972	16975	16996	17947	17970	17990	17994	18014	19028	19049	19070	19073	19096	15994
			S/T	0.52	0.59	0.59	0.67	0.47	0.55	0.62	0.62	0.71	0.50	0.58	0.66	0.66	0.75	0.53	0.62	0.70	0.70	0.80	0.52
			PI	0.65	0.65	0.65	0.65	0.69	0.69	0.69	0.69	0.69	0.69	0.73	0.73	0.73	0.73	0.74	0.78	0.78	0.78	0.78	0.78
		47°F (8.3°C)	TC	16352	16370	16371	16393	17315	17335	17352	17356	17376	18349	18373	18393	18397	18417	19455	19476	19497	19500	19524	16352
			S/T	0.52	0.59	0.59	0.67	0.47	0.55	0.63	0.63	0.71	0.50	0.58	0.66	0.66	0.76	0.53	0.62	0.70	0.70	0.80	0.52
			PI	0.57	0.57	0.57	0.57	0.60	0.61	0.61	0.61	0.61	0.64	0.64	0.64	0.64	0.64	0.68	0.68	0.68	0.68	0.68	0.68
		50°F (10.0°C)	TC	16567	16585	16586	16608	17542	17563	17580	17584	17605	18590	18614	18635	18639	18659	19710	19732	19753	19756	19781	16567
			S/T	0.52	0.59	0.59	0.68	0.47	0.55	0.63	0.63	0.72	0.50	0.59	0.67	0.67	0.76	0.53	0.62	0.71	0.71	0.81	0.52
			PI	0.60	0.60	0.60	0.61	0.64	0.64	0.64	0.64	0.64	0.68	0.68	0.68	0.68	0.68	0.72	0.72	0.72	0.72	0.72	0.72
		59°F (15.0°C)	TC	17212	17231	17232	17255	18225	18247	18265	18268	18290	19314	19339	19360	19364	19386	20478	20500	20522	20525	20551	17212
			S/T	0.53	0.60	0.60	0.68	0.47	0.56	0.63	0.63	0.72	0.50	0.59	0.67	0.67	0.76	0.53	0.63	0.71	0.71	0.81	0.53
			PI	0.70	0.70	0.70	0.70	0.74	0.74	0.74	0.74	0.75	0.79	0.79	0.79	0.79	0.79	0.83	0.84	0.84	0.84	0.84	0.84
		68°F (20.0°C)	TC	17857	17876	17877	17901	18908	18930	18949	18953	18975	20037	20064	20086	20090	20112	21245	21268	21291	21294	21321	17857
			S/T	0.54	0.61	0.61	0.70	0.49	0.57	0.65	0.65	0.74	0.52	0.61	0.69	0.69	0.79	0.55	0.64	0.73	0.73	0.83	0.54
			PI	0.80	0.80	0.80	0.80	0.85	0.85	0.85	0.85	0.85	0.90	0.90	0.90	0.90	0.90	0.95	0.95	0.95	0.95	0.95	0.95
		77 (25.0)	TC	18502	18522	18523	18548	19591	19614	19633	19637	19660	20761	20788	20811	20815	20838	22012	22036	22060	22063	22091	18502
			S/T	0.55	0.62	0.62	0.71	0.49	0.58	0.66	0.66	0.75	0.52	0.61	0.70	0.70	0.80	0.55	0.65	0.74	0.74	0.84	0.55
			PI	0.90	0.90	0.90	0.90	0.95	0.95	0.95	0.95	0.95	1.01	1.01	1.01	1.01	1.01	1.07	1.07	1.07	1.07	1.07	1.07
		82°F (27.8)	TC	18661	18682	18682	18708	19759	19783	19802	19806	19830	20940	20967	20991	20994	21018	22202	22226	22250	22253	22281	18661
			S/T	0.55	0.63	0.63	0.72	0.50	0.59	0.67	0.67	0.76	0.53	0.62	0.71	0.71	0.81	0.56	0.66	0.75	0.75	0.85	0.55
			PI	1.02	1.02	1.02	1.02	1.08	1.08	1.08	1.08	1.08	1.15	1.15	1.15	1.15	1.15	1.21	1.22	1.22	1.22	1.22	1.22
		86°F (30.0°C)	TC	18538	18558	18559	18584	19629	19652	19671	19675	19699	20801	20828	20852	20856	20879	22055	22079	22103	22106	22134	18538
			S/T	0.56	0.64	0.64	0.73	0.51	0.59	0.68	0.68	0.77	0.54	0.63	0.72	0.72	0.82	0.57	0.67	0.76	0.76	0.86	0.56
			PI	1.21	1.21	1.21	1.21	1.28	1.28	1.28	1.28	1.28	1.36	1.36	1.36	1.36	1.36	1.44	1.44	1.44	1.44	1.44	1.44
95°F (35.0)	TC	18260	18280	18280	18305	19334	19357	19376	19380	19403	20490	20516	20539	20543	20566	21724	21748	21771	21775	21802	18260		
	S/T	0.56	0.64	0.64	0.73	0.51	0.59	0.68	0.68	0.77	0.54	0.63	0.72	0.72	0.82	0.57	0.67	0.76	0.76	0.86	0.56		
	PI	1.63	1.63	1.63	1.63	1.73	1.73	1.73	1.73	1.73	1.83	1.83	1.83	1.83	1.84	1.94	1.94	1.94	1.94	1.95	1.63		
104°F (40.0°C)	TC	16220	16237	16238	16260	17174	17194	17211	17215	17235	18200	18224	18244	18247	18268	19297	19318	19339	19342	19366	16220		
	S/T	0.57	0.65	0.65	0.74	0.52	0.61	0.69	0.69	0.79	0.55	0.65	0.73	0.73	0.84	0.58	0.68	0.78	0.78	0.89	0.57		
	PI	1.71	1.71	1.71	1.71	1.81	1.81	1.81	1.81	1.82	1.92	1.92	1.92	1.92	1.93	2.03	2.04	2.04	2.04	2.04	2.04	1.71	

Table 18: Cooling Performance - 18K D5CUHA + D5FUA (Sheet 3 of 9)

490	110°F (43.0°C)	TC	14996	15012	15012	15033	15878	15897	15912	15916	15934	16826	16848	16867	16870	16889	17840	17860	17879	17882	17904	14996
		S/T	0.60	0.68	0.68	0.77	0.54	0.63	0.72	0.72	0.82	0.57	0.67	0.76	0.76	0.87	0.60	0.71	0.81	0.81	0.92	0.60
		PI	1.76	1.76	1.76	1.76	1.86	1.86	1.86	1.86	1.87	1.97	1.97	1.98	1.98	1.98	2.09	2.09	2.09	2.10	2.10	1.76
	115°F (46.0°C)	TC	13789	13804	13805	13824	14601	14618	14633	14636	14653	15473	15493	15511	15513	15531	16405	16423	16441	16444	16464	13789
		S/T	0.60	0.68	0.68	0.78	0.54	0.64	0.73	0.73	0.83	0.58	0.68	0.77	0.77	0.88	0.61	0.72	0.82	0.82	0.93	0.60
		PI	1.69	1.69	1.69	1.69	1.78	1.79	1.79	1.79	1.79	1.89	1.89	1.90	1.90	1.90	2.01	2.01	2.01	2.01	2.01	1.69
	122°F (50.0°C)	TC	12181	12195	12195	12212	12898	12914	12926	12929	12944	13669	13687	13702	13704	13720	14492	14508	14524	14526	14544	12181
		S/T	0.62	0.70	0.70	0.80	0.56	0.65	0.74	0.74	0.85	0.59	0.69	0.79	0.79	0.90	0.63	0.73	0.83	0.83	0.95	0.62
		PI	1.59	1.59	1.59	1.59	1.68	1.69	1.69	1.69	1.69	1.78	1.79	1.79	1.79	1.79	1.89	1.89	1.90	1.90	1.90	1.59
530	-22°F (-30.0°C)	TC	15643	15660	15660	15681	16563	16583	16599	16602	16622	17553	17576	17595	17598	17618	18610	18631	18651	18654	18677	15643
		S/T	0.52	0.59	0.59	0.67	0.47	0.55	0.62	0.62	0.71	0.50	0.58	0.66	0.66	0.75	0.53	0.62	0.70	0.70	0.80	0.52
		PI	0.48	0.48	0.48	0.48	0.50	0.50	0.50	0.50	0.51	0.53	0.53	0.53	0.53	0.54	0.57	0.57	0.57	0.57	0.57	0.48
	-13°F (-25.0°C)	TC	16946	16965	16965	16988	17943	17965	17982	17986	18007	19016	19040	19061	19065	19086	20161	20183	20205	20208	20233	16946
		S/T	0.52	0.59	0.59	0.68	0.47	0.55	0.63	0.63	0.72	0.50	0.59	0.67	0.67	0.76	0.53	0.62	0.71	0.71	0.81	0.52
		PI	0.52	0.52	0.52	0.52	0.55	0.55	0.55	0.55	0.55	0.58	0.58	0.58	0.58	0.58	0.61	0.61	0.61	0.61	0.61	0.52
	-4°F (-20.0°C)	TC	18250	18270	18270	18295	19324	19347	19366	19370	19393	20478	20505	20528	20532	20554	21712	21736	21759	21763	21790	18250
		S/T	0.53	0.60	0.60	0.68	0.47	0.56	0.63	0.63	0.72	0.50	0.59	0.67	0.67	0.76	0.53	0.63	0.71	0.71	0.81	0.53
		PI	0.55	0.56	0.56	0.56	0.59	0.59	0.59	0.59	0.59	0.62	0.62	0.62	0.62	0.62	0.66	0.66	0.66	0.66	0.66	0.55
	0°F (-17.8°C)	TC	18829	18850	18850	18876	19937	19961	19981	19984	20008	21128	21156	21179	21183	21207	22401	22426	22450	22454	22482	18829
		S/T	0.53	0.60	0.60	0.68	0.48	0.56	0.63	0.63	0.72	0.50	0.59	0.67	0.67	0.77	0.53	0.63	0.71	0.71	0.81	0.53
		PI	0.57	0.57	0.57	0.57	0.61	0.61	0.61	0.61	0.61	0.64	0.64	0.64	0.64	0.64	0.68	0.68	0.68	0.68	0.68	0.57
	5°F (-15.0°C)	TC	19553	19575	19575	19602	20704	20729	20749	20753	20778	21941	21969	21994	21998	22023	23263	23288	23314	23317	23346	19553
		S/T	0.53	0.60	0.60	0.69	0.48	0.56	0.64	0.64	0.73	0.51	0.59	0.68	0.68	0.77	0.54	0.63	0.72	0.72	0.82	0.53
		PI	0.59	0.59	0.59	0.60	0.63	0.63	0.63	0.63	0.63	0.67	0.67	0.67	0.67	0.67	0.71	0.71	0.71	0.71	0.71	0.59
	14°F (-10.0°C)	TC	18159	18179	18180	18204	19228	19251	19270	19274	19296	20377	20403	20426	20430	20452	21604	21628	21651	21655	21682	18159
		S/T	0.53	0.60	0.60	0.69	0.48	0.56	0.64	0.64	0.73	0.51	0.60	0.68	0.68	0.77	0.54	0.63	0.72	0.72	0.82	0.53
		PI	0.67	0.67	0.67	0.67	0.71	0.71	0.71	0.71	0.71	0.75	0.75	0.75	0.75	0.75	0.79	0.79	0.79	0.80	0.80	0.67
	17°F (-8.3°C)	TC	17695	17714	17715	17738	18736	18758	18777	18780	18803	19855	19881	19903	19907	19929	21052	21074	21097	21101	21127	17695
		S/T	0.53	0.60	0.60	0.69	0.48	0.56	0.64	0.64	0.73	0.51	0.60	0.68	0.68	0.77	0.54	0.63	0.72	0.72	0.82	0.53
		PI	0.69	0.69	0.69	0.69	0.73	0.73	0.73	0.73	0.73	0.78	0.78	0.78	0.78	0.78	0.82	0.82	0.82	0.82	0.82	0.69
	23°F (-5.0°C)	TC	17206	17224	17225	17248	18218	18240	18258	18261	18283	19306	19332	19353	19357	19378	20470	20492	20514	20517	20543	17206
		S/T	0.53	0.61	0.61	0.69	0.48	0.57	0.64	0.64	0.73	0.51	0.60	0.68	0.68	0.78	0.54	0.64	0.72	0.72	0.82	0.53
		PI	0.71	0.72	0.72	0.72	0.76	0.76	0.76	0.76	0.76	0.80	0.80	0.80	0.80	0.81	0.85	0.85	0.85	0.85	0.85	0.71

Manufacturer reserves the right to change, at any time, specifications and designs without notice and without obligations.

Table 18: Cooling Performance - 18K D5CUHA + D5FUA (Sheet 4 of 9)

Manufacturer reserves the right to change, at any time, specifications and designs without notice and without obligations. 76	530	35°F (1.7°C)	TC	16227	16245	16246	16268	17182	17203	17220	17223	17243	18209	18232	18253	18256	18277	19306	19327	19348	19351	19375	16227	
			S/T	0.54	0.61	0.61	0.70	0.49	0.57	0.65	0.65	0.74	0.51	0.60	0.69	0.69	0.78	0.55	0.64	0.73	0.73	0.83	0.83	0.54
			PI	0.76	0.76	0.76	0.76	0.81	0.81	0.81	0.81	0.81	0.86	0.86	0.86	0.86	0.86	0.86	0.91	0.91	0.91	0.91	0.91	0.91
		41°F (5.0°C)	TC	16599	16617	16618	16640	17576	17597	17614	17618	17638	18626	18650	18671	18674	18695	19748	19770	19791	19794	19819	19819	16599
			S/T	0.54	0.61	0.61	0.70	0.49	0.57	0.65	0.65	0.74	0.52	0.60	0.69	0.69	0.78	0.55	0.64	0.73	0.73	0.83	0.83	0.54
			PI	0.68	0.68	0.68	0.68	0.72	0.72	0.72	0.72	0.72	0.76	0.76	0.76	0.76	0.76	0.81	0.81	0.81	0.81	0.81	0.81	0.68
		47°F (8.3°C)	TC	16971	16989	16990	17013	17970	17991	18009	18012	18034	19043	19068	19089	19093	19114	20190	20212	20234	20238	20263	20263	16971
			S/T	0.54	0.61	0.61	0.70	0.49	0.57	0.65	0.65	0.74	0.52	0.61	0.69	0.69	0.79	0.55	0.64	0.73	0.73	0.83	0.83	0.54
			PI	0.59	0.59	0.59	0.59	0.63	0.63	0.63	0.63	0.63	0.67	0.67	0.67	0.67	0.67	0.71	0.71	0.71	0.71	0.71	0.71	0.59
		50°F (10.0°C)	TC	17194	17213	17213	17237	18206	18227	18245	18249	18271	19293	19319	19340	19344	19365	20456	20478	20500	20504	20529	20529	17194
			S/T	0.54	0.62	0.62	0.70	0.49	0.58	0.65	0.65	0.75	0.52	0.61	0.69	0.69	0.79	0.55	0.65	0.73	0.73	0.84	0.84	0.54
			PI	0.63	0.63	0.63	0.63	0.66	0.66	0.66	0.66	0.67	0.70	0.70	0.70	0.70	0.71	0.75	0.75	0.75	0.75	0.75	0.75	0.63
		59°F (15.0°C)	TC	17863	17883	17883	17908	18914	18937	18956	18959	18982	20044	20071	20093	20097	20119	21252	21275	21298	21302	21328	21328	17863
			S/T	0.55	0.62	0.62	0.71	0.49	0.58	0.66	0.66	0.75	0.52	0.61	0.70	0.70	0.79	0.55	0.65	0.74	0.74	0.84	0.84	0.55
			PI	0.73	0.73	0.73	0.73	0.77	0.77	0.77	0.77	0.77	0.82	0.82	0.82	0.82	0.82	0.87	0.87	0.87	0.87	0.87	0.87	0.73
		68°F (20.0°C)	TC	18533	18553	18553	18578	19623	19646	19666	19670	19693	20796	20823	20846	20850	20873	22048	22072	22096	22100	22127	22127	18533
			S/T	0.56	0.64	0.64	0.73	0.51	0.59	0.67	0.67	0.77	0.54	0.63	0.71	0.71	0.81	0.57	0.67	0.76	0.76	0.86	0.86	0.56
			PI	0.83	0.83	0.83	0.83	0.88	0.88	0.88	0.88	0.88	0.93	0.93	0.93	0.93	0.93	0.99	0.99	0.99	0.99	0.99	0.99	0.83
		77°F (25.0°C)	TC	19202	19223	19224	19249	20332	20356	20376	20380	20404	21547	21575	21599	21603	21627	22845	22870	22895	22898	22927	22927	19202
			S/T	0.57	0.64	0.64	0.73	0.51	0.60	0.68	0.68	0.78	0.54	0.64	0.72	0.72	0.83	0.58	0.68	0.77	0.77	0.88	0.88	0.57
			PI	0.93	0.93	0.93	0.93	0.99	0.99	0.99	0.99	0.99	1.04	1.05	1.05	1.05	1.05	1.11	1.11	1.11	1.11	1.11	1.11	0.93
		82°F (27.8°C)	TC	19367	19388	19389	19415	20507	20531	20552	20556	20580	21732	21760	21785	21789	21813	23042	23067	23092	23095	23124	23124	19367
			S/T	0.57	0.65	0.65	0.74	0.52	0.61	0.69	0.69	0.79	0.55	0.65	0.73	0.73	0.84	0.58	0.68	0.78	0.78	0.89	0.89	0.57
			PI	1.06	1.06	1.06	1.06	1.12	1.12	1.12	1.12	1.13	1.19	1.19	1.19	1.19	1.19	1.26	1.26	1.26	1.26	1.26	1.26	1.06
86°F (30.0°C)	TC	19239	19260	19261	19287	20371	20395	20416	20420	20444	21588	21616	21640	21644	21669	22889	22914	22939	22942	22971	22971	19239		
	S/T	0.58	0.66	0.66	0.75	0.53	0.62	0.70	0.70	0.80	0.56	0.65	0.74	0.74	0.85	0.59	0.69	0.79	0.79	0.90	0.90	0.58		
	PI	1.25	1.26	1.26	1.26	1.33	1.33	1.33	1.33	1.33	1.41	1.41	1.41	1.41	1.41	1.49	1.49	1.50	1.50	1.50	1.50	1.25		
95°F (35.0°C)	TC	18951	18971	18972	18998	20066	20090	20109	20113	20137	21265	21292	21316	21320	21344	22546	22570	22595	22599	22627	22627	18951		
	S/T	0.58	0.66	0.66	0.75	0.53	0.62	0.70	0.70	0.80	0.56	0.65	0.74	0.74	0.85	0.59	0.69	0.79	0.79	0.90	0.90	0.58		
	PI	1.69	1.69	1.69	1.70	1.79	1.79	1.80	1.80	1.80	1.90	1.90	1.90	1.90	1.91	2.01	2.02	2.02	2.02	2.02	2.02	1.69		

Manufacturer reserves the right to change, at any time, specifications and designs without notice and without obligations.

Table 18: Cooling Performance - 18K D5CUHA + D5FUA (Sheet 5 of 9)

530	104°F (40.0°C)	TC	16833	16851	16852	16875	17824	17845	17863	17866	17887	18889	18913	18934	18938	18959	20027	20049	20070	20073	20098	16833
		S/T	0.60	0.68	0.68	0.77	0.54	0.63	0.72	0.72	0.82	0.57	0.67	0.76	0.76	0.87	0.61	0.71	0.81	0.81	0.92	0.60
		PI	1.77	1.78	1.78	1.78	1.88	1.88	1.88	1.88	1.89	1.99	1.99	2.00	2.00	2.00	2.11	2.11	2.12	2.12	2.12	1.77
	110°F (43.0°C)	TC	15563	15580	15580	15601	16479	16498	16514	16518	16537	17463	17486	17505	17508	17528	18515	18535	18556	18558	18582	15563
		S/T	0.62	0.70	0.70	0.80	0.56	0.66	0.74	0.74	0.85	0.59	0.69	0.79	0.79	0.90	0.63	0.74	0.84	0.84	0.95	0.62
		PI	1.82	1.83	1.83	1.83	1.93	1.93	1.93	1.94	1.94	2.05	2.05	2.05	2.05	2.05	2.17	2.17	2.17	2.17	2.18	1.82
	115°F (46.0°C)	TC	14311	14327	14327	14347	15153	15171	15186	15189	15207	16059	16079	16097	16100	16118	17026	17045	17063	17066	17087	14311
		S/T	0.63	0.71	0.71	0.81	0.56	0.66	0.75	0.75	0.86	0.60	0.70	0.80	0.80	0.91	0.63	0.74	0.85	0.85	0.96	0.63
		PI	1.75	1.75	1.75	1.75	1.85	1.85	1.86	1.86	1.86	1.96	1.97	1.97	1.97	1.97	2.08	2.08	2.09	2.09	2.09	1.75
	122°F (50.0°C)	TC	12642	12656	12656	12674	13386	13402	13415	13418	13434	14186	14204	14220	14223	14239	15041	15057	15073	15076	15095	12642
		S/T	0.64	0.73	0.73	0.83	0.58	0.68	0.77	0.77	0.88	0.61	0.72	0.82	0.82	0.93	0.65	0.76	0.87	0.87	0.99	0.64
		PI	1.65	1.65	1.65	1.65	1.75	1.75	1.75	1.75	1.75	1.85	1.85	1.86	1.86	1.86	1.96	1.97	1.97	1.97	1.97	1.65
580	-22°F (-30.0°C)	TC	16235	16252	16253	16275	17190	17210	17227	17231	17251	18217	18240	18261	18264	18285	19314	19335	19356	19359	19384	16235
		S/T	0.54	0.61	0.61	0.70	0.49	0.57	0.65	0.65	0.74	0.52	0.60	0.69	0.69	0.78	0.55	0.64	0.73	0.73	0.83	0.54
		PI	0.49	0.49	0.49	0.49	0.52	0.52	0.52	0.52	0.52	0.55	0.55	0.56	0.56	0.56	0.59	0.59	0.59	0.59	0.59	0.49
	-13°F (-25.0°C)	TC	17587	17606	17607	17631	18622	18644	18663	18666	18689	19735	19761	19783	19786	19808	20924	20947	20969	20973	20999	17587
		S/T	0.54	0.62	0.62	0.70	0.49	0.57	0.65	0.65	0.74	0.52	0.61	0.69	0.69	0.79	0.55	0.65	0.73	0.73	0.84	0.54
		PI	0.53	0.54	0.54	0.54	0.57	0.57	0.57	0.57	0.57	0.60	0.60	0.60	0.60	0.60	0.64	0.64	0.64	0.64	0.64	0.53
	-4°F (-20.0°C)	TC	18940	18961	18962	18987	20055	20079	20098	20102	20126	21253	21281	21304	21308	21332	22533	22558	22583	22586	22614	18940
		S/T	0.54	0.62	0.62	0.71	0.49	0.58	0.66	0.66	0.75	0.52	0.61	0.70	0.70	0.79	0.55	0.65	0.74	0.74	0.84	0.54
		PI	0.58	0.58	0.58	0.58	0.61	0.61	0.61	0.61	0.61	0.65	0.65	0.65	0.65	0.65	0.68	0.69	0.69	0.69	0.69	0.58
	0°F (-17.8°C)	TC	19542	19563	19564	19590	20691	20716	20736	20741	20765	21928	21956	21981	21985	22009	23249	23274	23299	23303	23332	19542
		S/T	0.55	0.62	0.62	0.71	0.49	0.58	0.66	0.66	0.75	0.52	0.61	0.70	0.70	0.80	0.55	0.65	0.74	0.74	0.84	0.55
		PI	0.59	0.59	0.59	0.60	0.63	0.63	0.63	0.63	0.63	0.67	0.67	0.67	0.67	0.67	0.71	0.71	0.71	0.71	0.71	0.59
	5°F (-15.0°C)	TC	20293	20315	20316	20343	21487	21513	21534	21538	21564	22771	22801	22826	22830	22856	24143	24169	24196	24199	24229	20293
		S/T	0.55	0.62	0.62	0.71	0.50	0.58	0.66	0.66	0.75	0.53	0.62	0.70	0.70	0.80	0.56	0.65	0.74	0.74	0.85	0.55
		PI	0.62	0.62	0.62	0.62	0.65	0.65	0.65	0.65	0.66	0.69	0.69	0.69	0.69	0.69	0.73	0.73	0.74	0.74	0.74	0.62
	14°F (-10.0°C)	TC	18846	18867	18868	18893	19955	19979	19999	20003	20026	21148	21175	21199	21203	21226	22422	22446	22471	22474	22502	18846
		S/T	0.55	0.63	0.63	0.71	0.50	0.58	0.66	0.66	0.76	0.53	0.62	0.70	0.70	0.80	0.56	0.66	0.74	0.74	0.85	0.55
		PI	0.69	0.69	0.69	0.69	0.73	0.73	0.73	0.73	0.74	0.78	0.78	0.78	0.78	0.78	0.82	0.82	0.83	0.83	0.83	0.69

Manufacturer reserves the right to change, at any time, specifications and designs without notice and without obligations.

Table 18: Cooling Performance - 18K D5CUHA + D5FUA (Sheet 6 of 9)

580	17°F (-8.3°C)	TC	18364	18384	18385	18410	19445	19468	19487	19491	19514	20606	20633	20656	20660	20683	21848	21872	21896	21899	21926	18364
		S/T	0.55	0.63	0.63	0.72	0.50	0.59	0.66	0.66	0.76	0.53	0.62	0.70	0.70	0.80	0.56	0.66	0.75	0.75	0.85	0.55
		PI	0.72	0.72	0.72	0.72	0.76	0.76	0.76	0.76	0.76	0.80	0.81	0.81	0.81	0.81	0.85	0.85	0.85	0.86	0.86	0.72
	23°F (-5.0°C)	TC	17857	17876	17877	17901	18907	18930	18948	18952	18975	20037	20063	20085	20089	20111	21244	21267	21290	21294	21320	17857
		S/T	0.55	0.63	0.63	0.72	0.50	0.59	0.67	0.67	0.76	0.53	0.62	0.71	0.71	0.81	0.56	0.66	0.75	0.75	0.86	0.55
		PI	0.74	0.74	0.74	0.74	0.79	0.79	0.79	0.79	0.79	0.83	0.83	0.83	0.83	0.84	0.88	0.88	0.88	0.88	0.89	0.74
	35°F (1.7°C)	TC	16841	16859	16860	16883	17832	17853	17871	17875	17896	18898	18922	18943	18947	18968	20036	20058	20080	20083	20108	16841
		S/T	0.56	0.63	0.63	0.72	0.50	0.59	0.67	0.67	0.77	0.53	0.63	0.71	0.71	0.81	0.57	0.66	0.75	0.75	0.86	0.56
		PI	0.79	0.79	0.79	0.79	0.84	0.84	0.84	0.84	0.84	0.89	0.89	0.89	0.89	0.89	0.94	0.94	0.94	0.94	0.95	0.79
	41°F (5.0°C)	TC	17227	17246	17246	17270	18241	18262	18280	18284	18306	19331	19356	19377	19381	19403	20495	20518	20540	20543	20569	17227
		S/T	0.56	0.63	0.63	0.72	0.50	0.59	0.67	0.67	0.77	0.53	0.63	0.71	0.71	0.81	0.57	0.67	0.76	0.76	0.86	0.56
		PI	0.70	0.70	0.70	0.71	0.74	0.75	0.75	0.75	0.75	0.79	0.79	0.79	0.79	0.79	0.84	0.84	0.84	0.84	0.84	0.70
	47°F (8.3°C)	TC	17613	17632	17633	17656	18649	18671	18690	18694	18716	19764	19789	19811	19815	19837	20954	20977	21000	21003	21029	17613
		S/T	0.56	0.64	0.64	0.73	0.51	0.59	0.67	0.68	0.77	0.54	0.63	0.72	0.72	0.82	0.57	0.67	0.76	0.76	0.86	0.56
		PI	0.62	0.62	0.62	0.62	0.65	0.65	0.65	0.65	0.65	0.69	0.69	0.69	0.69	0.69	0.73	0.73	0.73	0.73	0.73	0.62
	50°F (10.0°C)	TC	17845	17864	17865	17889	18894	18917	18936	18939	18962	20023	20049	20072	20075	20098	21230	21253	21276	21279	21306	17845
		S/T	0.56	0.64	0.64	0.73	0.51	0.60	0.68	0.68	0.77	0.54	0.63	0.72	0.72	0.82	0.57	0.67	0.76	0.76	0.87	0.56
		PI	0.65	0.65	0.65	0.65	0.69	0.69	0.69	0.69	0.69	0.73	0.73	0.73	0.73	0.73	0.77	0.77	0.78	0.78	0.78	0.65
	59°F (15.0°C)	TC	18539	18559	18560	18585	19630	19653	19673	19677	19700	20803	20830	20853	20857	20880	22056	22080	22104	22108	22135	18539
		S/T	0.57	0.64	0.64	0.73	0.51	0.60	0.68	0.68	0.78	0.54	0.64	0.72	0.72	0.82	0.57	0.67	0.77	0.77	0.87	0.57
		PI	0.76	0.76	0.76	0.76	0.80	0.80	0.80	0.80	0.80	0.85	0.85	0.85	0.85	0.85	0.90	0.90	0.90	0.90	0.90	0.76
	68°F (20.0°C)	TC	19234	19254	19255	19281	20366	20390	20410	20414	20438	21582	21610	21634	21638	21663	22883	22907	22932	22936	22965	19234
		S/T	0.58	0.66	0.66	0.75	0.52	0.62	0.70	0.70	0.80	0.56	0.65	0.74	0.74	0.85	0.59	0.69	0.79	0.79	0.90	0.58
		PI	0.86	0.86	0.86	0.86	0.91	0.91	0.91	0.91	0.91	0.97	0.97	0.97	0.97	0.97	1.02	1.02	1.03	1.03	1.03	0.86
77°F (25.0°C)	TC	19928	19950	19951	19978	21101	21126	21147	21151	21176	22362	22391	22416	22420	22445	23709	23735	23761	23764	23794	19928	
	S/T	0.59	0.67	0.67	0.76	0.53	0.62	0.71	0.71	0.81	0.56	0.66	0.75	0.75	0.86	0.60	0.70	0.80	0.80	0.91	0.59	
	PI	0.97	0.97	0.97	0.97	1.02	1.02	1.02	1.02	1.03	1.08	1.08	1.09	1.09	1.09	1.15	1.15	1.15	1.15	1.15	0.97	
82°F (27.8°C)	TC	20100	20122	20123	20150	21283	21308	21329	21333	21359	22554	22584	22609	22613	22638	23913	23939	23965	23969	23999	20100	
	S/T	0.60	0.68	0.68	0.77	0.54	0.63	0.72	0.72	0.82	0.57	0.67	0.76	0.76	0.87	0.61	0.71	0.81	0.81	0.92	0.60	
	PI	1.10	1.10	1.10	1.10	1.16	1.17	1.17	1.17	1.17	1.23	1.24	1.24	1.24	1.24	1.31	1.31	1.31	1.31	1.31	1.10	

Manufacturer reserves the right to change, at any time, specifications and designs without notice and without obligations.

Table 18: Cooling Performance - 18K D5CUHA + D5FUA (Sheet 7 of 9)

580	86°F (30.0°C)	TC	19967	19989	19989	20016	21142	21167	21188	21192	21217	22405	22434	22459	22463	22488	23755	23781	23807	23810	23840	19967	
		S/T	0.60	0.69	0.69	0.78	0.55	0.64	0.73	0.73	0.83	0.58	0.68	0.77	0.77	0.88	0.61	0.72	0.82	0.82	0.93	0.60	
		PI	1.30	1.30	1.30	1.30	1.38	1.38	1.38	1.38	1.38	1.46	1.46	1.46	1.46	1.47	1.55	1.55	1.55	1.55	1.55	1.55	1.30
	95°F (35.0°C)	TC	19668	19689	19690	19716	20825	20850	20870	20874	20899	22069	22098	22122	22127	22151	23399	23424	23450	23453	23483	19668	
		S/T	0.60	0.69	0.69	0.78	0.55	0.64	0.73	0.73	0.83	0.58	0.68	0.77	0.77	0.88	0.61	0.72	0.82	0.82	0.93	0.60	
		PI	1.76	1.76	1.76	1.76	1.86	1.86	1.86	1.86	1.87	1.97	1.97	1.98	1.98	1.98	2.09	2.09	2.09	2.09	2.10	1.76	
	104°F (40.0°C)	TC	17470	17489	17490	17513	18498	18520	18538	18542	18564	19603	19629	19651	19654	19676	20784	20807	20830	20833	20859	17470	
		S/T	0.62	0.70	0.70	0.80	0.56	0.66	0.75	0.75	0.85	0.59	0.70	0.79	0.79	0.90	0.63	0.74	0.84	0.84	0.95	0.62	
		PI	1.84	1.84	1.84	1.85	1.95	1.95	1.95	1.95	1.96	2.07	2.07	2.07	2.07	2.07	2.19	2.19	2.20	2.20	2.20	1.84	
	110°F (43.0°C)	TC	16152	16169	16170	16191	17102	17122	17139	17142	17163	18124	18147	18167	18171	18191	19216	19237	19257	19260	19284	16152	
		S/T	0.64	0.73	0.73	0.83	0.58	0.68	0.77	0.77	0.88	0.61	0.72	0.82	0.82	0.93	0.65	0.76	0.87	0.87	0.99	0.64	
		PI	1.89	1.89	1.89	1.90	2.00	2.01	2.01	2.01	2.01	2.12	2.13	2.13	2.13	2.13	2.25	2.25	2.26	2.26	2.26	1.89	
	115°F (46.0°C)	TC	14853	14869	14869	14889	15726	15745	15761	15764	15782	16666	16688	16706	16709	16728	17670	17689	17709	17711	17734	14853	
		S/T	0.65	0.74	0.74	0.84	0.59	0.69	0.78	0.78	0.89	0.62	0.73	0.83	0.83	0.94	0.66	0.77	0.88	0.88	1.00	0.65	
		PI	1.82	1.82	1.82	1.82	1.92	1.92	1.93	1.93	1.93	2.04	2.04	2.04	2.04	2.04	2.16	2.16	2.16	2.17	2.17	1.82	
	122°F (50.0°C)	TC	13121	13135	13135	13153	13893	13909	13923	13926	13942	14723	14742	14758	14761	14777	15610	15627	15644	15646	15666	13121	
		S/T	0.66	0.75	0.75	0.86	0.60	0.70	0.80	0.80	0.91	0.64	0.75	0.85	0.85	0.97	0.67	0.79	0.90	0.90	1.00	0.66	
		PI	1.71	1.72	1.72	1.72	1.81	1.82	1.82	1.82	1.82	1.92	1.92	1.93	1.93	1.93	2.04	2.04	2.04	2.04	2.05	1.71	
	620	-22°F (-30.0°C)	TC	16849	16867	16868	16890	17840	17861	17879	17882	17904	18906	18931	18952	18955	18976	20045	20067	20089	20092	20117	16849
			S/T	0.56	0.63	0.63	0.72	0.50	0.59	0.67	0.67	0.77	0.53	0.63	0.71	0.71	0.81	0.57	0.67	0.76	0.76	0.86	0.56
			PI	0.51	0.51	0.51	0.51	0.54	0.54	0.54	0.54	0.54	0.57	0.58	0.58	0.58	0.58	0.61	0.61	0.61	0.61	0.61	0.51
		-13°F (-25.0°C)	TC	18253	18272	18273	18298	19327	19350	19369	19373	19396	20481	20508	20531	20535	20558	21716	21739	21763	21766	21793	18253
			S/T	0.56	0.64	0.64	0.73	0.51	0.60	0.68	0.68	0.77	0.54	0.63	0.72	0.72	0.82	0.57	0.67	0.76	0.76	0.87	0.56
			PI	0.55	0.56	0.56	0.56	0.59	0.59	0.59	0.59	0.59	0.62	0.62	0.62	0.62	0.62	0.66	0.66	0.66	0.66	0.66	0.55
-4°F (-20.0°C)		TC	19657	19678	19679	19705	20813	20838	20859	20863	20888	22057	22086	22110	22114	22139	23386	23411	23437	23440	23470	19657	
		S/T	0.57	0.64	0.64	0.73	0.51	0.60	0.68	0.68	0.78	0.54	0.64	0.72	0.72	0.82	0.57	0.67	0.77	0.77	0.87	0.57	
		PI	0.60	0.60	0.60	0.60	0.63	0.63	0.63	0.63	0.63	0.67	0.67	0.67	0.67	0.67	0.71	0.71	0.71	0.71	0.71	0.60	
0°F (-17.8°C)		TC	20281	20303	20304	20331	21474	21500	21521	21525	21551	22757	22787	22812	22816	22842	24128	24155	24181	24185	24215	20281	
		S/T	0.57	0.64	0.64	0.73	0.51	0.60	0.68	0.68	0.78	0.54	0.64	0.72	0.72	0.83	0.58	0.68	0.77	0.77	0.88	0.57	
		PI	0.62	0.62	0.62	0.62	0.65	0.65	0.65	0.65	0.65	0.69	0.69	0.69	0.69	0.69	0.73	0.73	0.73	0.74	0.74	0.62	
5°F (-15.0°C)		TC	21061	21084	21085	21113	22300	22327	22349	22353	22380	23632	23663	23690	23694	23720	25056	25084	25111	25115	25146	21061	
		S/T	0.57	0.65	0.65	0.74	0.51	0.60	0.69	0.69	0.78	0.55	0.64	0.73	0.73	0.83	0.58	0.68	0.77	0.77	0.88	0.57	
		PI	0.64	0.64	0.64	0.64	0.68	0.68	0.68	0.68	0.68	0.72	0.72	0.72	0.72	0.72	0.76	0.76	0.76	0.76	0.76	0.64	

Manufacturer reserves the right to change, at any time, specifications and designs without notice and without obligations.

Table 18: Cooling Performance - 18K D5CUHA + D5FUAA (Sheet 8 of 9)

620	14°F (-10.0°C)	TC	19559	19580	19581	19608	20710	20735	20755	20759	20784	21948	21976	22001	22005	22029	23270	23295	23321	23324	23353	19559
		S/T	0.57	0.65	0.65	0.74	0.52	0.61	0.69	0.69	0.78	0.55	0.64	0.73	0.73	0.83	0.58	0.68	0.77	0.77	0.88	0.57
		PI	0.72	0.72	0.72	0.72	0.76	0.76	0.76	0.76	0.76	0.76	0.81	0.81	0.81	0.81	0.81	0.85	0.86	0.86	0.86	0.86
	17°F (-8.3°C)	TC	19059	19079	19080	19106	20180	20204	20224	20228	20252	21386	21414	21438	21442	21466	22674	22699	22724	22727	22756	19059
		S/T	0.57	0.65	0.65	0.74	0.52	0.61	0.69	0.69	0.79	0.55	0.64	0.73	0.73	0.83	0.58	0.68	0.78	0.78	0.88	0.57
		PI	0.74	0.74	0.74	0.75	0.79	0.79	0.79	0.79	0.79	0.83	0.84	0.84	0.84	0.84	0.89	0.89	0.89	0.89	0.89	0.74
	23°F (-5.0°C)	TC	18532	18552	18553	18578	19622	19646	19665	19669	19692	20795	20822	20845	20849	20872	22048	22072	22096	22099	22127	18532
		S/T	0.58	0.65	0.65	0.75	0.52	0.61	0.69	0.69	0.79	0.55	0.65	0.74	0.74	0.84	0.58	0.69	0.78	0.78	0.89	0.58
		PI	0.77	0.77	0.77	0.77	0.82	0.82	0.82	0.82	0.82	0.86	0.87	0.87	0.87	0.87	0.92	0.92	0.92	0.92	0.92	0.77
	35°F (1.7°C)	TC	17478	17497	17498	17522	18507	18529	18547	18551	18573	19613	19638	19660	19664	19686	20794	20817	20840	20843	20869	17478
		S/T	0.58	0.66	0.66	0.75	0.52	0.61	0.70	0.70	0.79	0.55	0.65	0.74	0.74	0.84	0.59	0.69	0.78	0.78	0.89	0.58
		PI	0.82	0.82	0.82	0.82	0.87	0.87	0.87	0.87	0.87	0.92	0.92	0.92	0.92	0.93	0.98	0.98	0.98	0.98	0.98	0.82
	41°F (5.0°C)	TC	17879	17898	17899	17923	18931	18953	18972	18976	18998	20062	20088	20110	20114	20137	21271	21294	21317	21320	21347	17879
		S/T	0.58	0.66	0.66	0.75	0.52	0.61	0.70	0.70	0.80	0.56	0.65	0.74	0.74	0.84	0.59	0.69	0.78	0.78	0.89	0.58
		PI	0.73	0.73	0.73	0.73	0.77	0.77	0.77	0.77	0.78	0.82	0.82	0.82	0.82	0.82	0.87	0.87	0.87	0.87	0.87	0.73
	47°F (8.3°C)	TC	18279	18299	18300	18324	19355	19378	19397	19401	19424	20511	20538	20561	20565	20587	21747	21771	21794	21798	21825	18279
		S/T	0.58	0.66	0.66	0.75	0.53	0.62	0.70	0.70	0.80	0.56	0.65	0.74	0.74	0.85	0.59	0.69	0.79	0.79	0.90	0.58
		PI	0.64	0.64	0.64	0.64	0.68	0.68	0.68	0.68	0.68	0.72	0.72	0.72	0.72	0.72	0.76	0.76	0.76	0.76	0.76	0.64
	50°F (10.0°C)	TC	18520	18540	18540	18565	19609	19633	19652	19656	19679	20781	20808	20831	20835	20858	22033	22057	22081	22084	22112	18520
		S/T	0.58	0.66	0.66	0.76	0.53	0.62	0.70	0.70	0.80	0.56	0.66	0.75	0.75	0.85	0.59	0.70	0.79	0.79	0.90	0.58
		PI	0.67	0.68	0.68	0.68	0.71	0.72	0.72	0.72	0.72	0.76	0.76	0.76	0.76	0.76	0.80	0.80	0.80	0.80	0.81	0.67
	59°F (15.0°C)	TC	19240	19261	19262	19288	20373	20397	20417	20421	20445	21590	21618	21642	21646	21670	22891	22915	22940	22944	22973	19240
		S/T	0.59	0.67	0.67	0.76	0.53	0.62	0.71	0.71	0.81	0.56	0.66	0.75	0.75	0.86	0.60	0.70	0.80	0.80	0.91	0.59
		PI	0.78	0.78	0.78	0.79	0.83	0.83	0.83	0.83	0.83	0.88	0.88	0.88	0.88	0.88	0.93	0.93	0.93	0.93	0.94	0.78
	68°F (20.0°C)	TC	19961	19983	19984	20011	21136	21161	21182	21186	21211	22399	22428	22453	22457	22482	23748	23774	23800	23804	23833	19961
		S/T	0.60	0.69	0.69	0.78	0.54	0.64	0.73	0.73	0.83	0.58	0.68	0.77	0.77	0.88	0.61	0.72	0.82	0.82	0.93	0.60
		PI	0.89	0.89	0.89	0.90	0.95	0.95	0.95	0.95	0.95	1.00	1.00	1.00	1.00	1.01	1.06	1.06	1.06	1.06	1.07	0.89
	77°F (25.0°C)	TC	20682	20705	20706	20733	21899	21925	21947	21951	21977	23208	23238	23264	23268	23294	24606	24633	24660	24663	24694	20682
S/T		0.61	0.69	0.69	0.79	0.55	0.65	0.74	0.74	0.84	0.59	0.69	0.78	0.78	0.89	0.62	0.73	0.83	0.83	0.94	0.61	
PI		1.00	1.00	1.00	1.00	1.06	1.06	1.06	1.06	1.06	1.12	1.13	1.13	1.13	1.13	1.19	1.19	1.19	1.20	1.20	1.00	
82°F (27.8°C)	TC	20860	20883	20884	20912	22088	22114	22136	22140	22167	23408	23438	23464	23468	23495	24818	24845	24872	24876	24907	20860	
	S/T	0.62	0.70	0.70	0.80	0.56	0.66	0.75	0.75	0.85	0.59	0.70	0.79	0.79	0.90	0.63	0.74	0.84	0.84	0.95	0.62	
	PI	1.14	1.14	1.14	1.14	1.21	1.21	1.21	1.21	1.21	1.28	1.28	1.28	1.28	1.29	1.36	1.36	1.36	1.36	1.36	1.14	
86°F (30.0°C)	TC	20722	20745	20746	20774	21942	21968	21989	21994	22020	23253	23283	23309	23313	23339	24654	24680	24707	24711	24742	20722	
	S/T	0.63	0.71	0.71	0.81	0.57	0.66	0.75	0.75	0.86	0.60	0.70	0.80	0.80	0.91	0.64	0.75	0.85	0.85	0.97	0.63	
	PI	1.35	1.35	1.35	1.35	1.43	1.43	1.43	1.43	1.44	1.52	1.52	1.52	1.52	1.52	1.61	1.61	1.61	1.61	1.61	1.35	

Manufacturer reserves the right to change, at any time, specifications and designs without notice and without obligations.

Table 18: Cooling Performance - 18K D5CUHA + D5FUA (Sheet 9 of 9)

620	95°F (35.0°C)	TC	20412	20434	20435	20462	21613	21638	21660	21664	21690	22904	22934	22959	22964	22989	24284	24310	24337	24341	24371	20412
		S/T	0.63	0.71	0.71	0.81	0.57	0.66	0.75	0.75	0.86	0.60	0.70	0.80	0.80	0.91	0.64	0.75	0.85	0.85	0.97	0.63
		PI	1.82	1.82	1.82	1.83	1.93	1.93	1.93	1.93	1.94	2.05	2.05	2.05	2.05	2.05	2.17	2.17	2.17	2.17	2.18	1.82
	104°F (40.0°C)	TC	18131	18151	18151	18176	19198	19221	19240	19243	19266	20345	20371	20394	20398	20421	21571	21594	21618	21621	21648	18131
		S/T	0.64	0.73	0.73	0.83	0.58	0.68	0.77	0.77	0.88	0.62	0.72	0.82	0.82	0.93	0.65	0.76	0.87	0.87	0.99	0.64
		PI	1.91	1.91	1.91	1.92	2.02	2.03	2.03	2.03	2.03	2.14	2.15	2.15	2.15	2.15	2.27	2.28	2.28	2.28	2.28	1.91
	110°F (43.0°C)	TC	16763	16781	16781	16804	17749	17770	17787	17791	17812	18809	18834	18855	18858	18879	19943	19964	19986	19989	20014	16763
		S/T	0.67	0.76	0.76	0.86	0.60	0.71	0.80	0.80	0.91	0.64	0.75	0.85	0.85	0.97	0.68	0.79	0.90	0.90	1.00	0.67
		PI	1.96	1.97	1.97	1.97	2.08	2.08	2.08	2.08	2.09	2.20	2.21	2.21	2.21	2.21	2.34	2.34	2.34	2.34	2.34	1.96
	115°F (46.0°C)	TC	15414	15431	15432	15453	16321	16341	16357	16360	16380	17297	17319	17338	17342	17361	18339	18359	18379	18381	18404	15414
		S/T	0.67	0.77	0.77	0.87	0.61	0.71	0.81	0.81	0.92	0.65	0.76	0.86	0.86	0.98	0.68	0.80	0.91	0.91	1.00	0.67
		PI	1.88	1.89	1.89	1.89	2.00	2.00	2.00	2.00	2.00	2.11	2.12	2.12	2.12	2.12	2.24	2.24	2.25	2.25	2.25	1.88
	122°F (50.0°C)	TC	13617	13632	13632	13651	14418	14435	14449	14452	14470	15280	15299	15316	15319	15336	16200	16218	16235	16238	16258	13617
		S/T	0.69	0.78	0.78	0.89	0.62	0.73	0.83	0.83	0.95	0.66	0.77	0.88	0.88	1.00	0.70	0.82	0.93	0.93	1.00	0.69
		PI	1.78	1.78	1.78	1.78	1.88	1.88	1.89	1.89	1.89	2.00	2.00	2.00	2.00	2.00	2.12	2.12	2.12	2.12	2.12	1.78

Manufacturer reserves the right to change, at any time, specifications and designs without notice and without obligations.

Heating Performance - 18K D5CUHA + D5FUA

Table 19: Heating Performance - 18K D5CUHA + D5FUA (Sheet 1 of 2)

AIRFLOW (CFM)	HEATING PERFORMANCE AT INDOOR DRY BULB TEMPERATURE										
	OUTDOOR DB °F (°C)	TC: TOTAL HEATING CAPACITY (BTU/HR)					PI: POWER INPUT (KW)				
		INDOOR CONDITIONS DB °F (°C)					INDOOR CONDITIONS DB				
		60.8°F (16.0°C)	68°F (20.0°C)	70°F (21.1°C)	71.6°F (22.0°C)	75.2°F (24.0°C)	60.8°F (16.0°C)	68°F (20.0°C)	70°F (21.1°C)	71.6°F (22.0°C)	75.2°F (24.0°C)
490	-22°F (-30.0°C)	9906	9707	9659	9546	9460	2.05	2.06	2.07	2.07	2.08
	-13°F (-25.0°C)	12966	12706	12643	12015	11907	2.27	2.29	2.29	2.30	2.31
	-4°F (-20.0°C)	15395	15087	15011	14266	14138	2.45	2.47	2.48	2.48	2.49
	0°F (-17.8°C)	16631	16299	16217	15412	15273	2.56	2.58	2.58	2.59	2.60
	5°F (-15.0°C)	18177	17814	17725	16845	16693	2.68	2.71	2.71	2.72	2.73
	14°F (-10.0°C)	19502	19111	19016	18072	17909	2.65	2.67	2.68	2.69	2.70
	17°F (-8.3°C)	19943	19544	19446	18481	18314	2.64	2.66	2.67	2.67	2.69
	22°F (-5.6°C)	19335	18948	18854	17918	17756	2.44	2.46	2.46	2.47	2.48
	27°F (-2.8°C)	18727	18353	18261	17354	17198	2.23	2.25	2.25	2.26	2.27
	32°F (-0.0°C)	18120	17757	17668	16791	16640	2.03	2.04	2.05	2.05	2.06
	35°F (1.7°C)	17755	17400	17313	16453	16305	1.90	1.92	1.92	1.93	1.93
	37°F (2.8°C)	18188	17825	17735	16855	16703	1.88	1.90	1.90	1.91	1.92
	42°F (5.6°C)	19272	18887	18792	17859	17699	1.84	1.85	1.86	1.86	1.87
	44.6°F (7.0°C)	19706	19312	19215	18261	18097	1.82	1.83	1.84	1.84	1.85
	47°F (8.3°C)	20356	19949	19849	18864	18694	1.79	1.80	1.81	1.81	1.82
	52°F (11.1°C)	18515	18144	18054	17157	17003	1.63	1.64	1.64	1.65	1.65
	57°F (13.9°C)	16673	16340	16258	15451	15312	1.46	1.47	1.48	1.48	1.49
	59°F (15.0°C)	15937	15618	15540	14768	14636	1.40	1.41	1.41	1.41	1.42
62°F (16.7°C)	14832	14535	14463	13745	13621	1.30	1.31	1.31	1.32	1.32	
64.4°F (18.0°C)	14096	13814	13745	13062	12945	1.23	1.24	1.25	1.25	1.25	
530	-22°F (-30.0°C)	10484	10274	10223	10143	10051	2.07	2.09	2.09	2.09	2.10
	-13°F (-25.0°C)	13456	13187	13121	12765	12651	2.29	2.31	2.32	2.32	2.33
	-4°F (-20.0°C)	15977	15657	15579	15157	15021	2.48	2.50	2.50	2.51	2.52
	0°F (-17.8°C)	17261	16915	16831	16375	16227	2.58	2.60	2.61	2.61	2.62
	5°F (-15.0°C)	18865	18488	18395	17897	17736	2.71	2.73	2.74	2.74	2.75
	14°F (-10.0°C)	20239	19834	19735	19201	19028	2.68	2.70	2.71	2.71	2.72
	17°F (-8.3°C)	20697	20283	20182	19635	19458	2.67	2.69	2.70	2.70	2.71
	22°F (-5.6°C)	20067	19665	19567	19037	18865	2.46	2.48	2.49	2.49	2.50
	27°F (-2.8°C)	19436	19047	18952	18438	18272	2.25	2.27	2.28	2.28	2.29
	32°F (-0.0°C)	18805	18429	18337	17840	17679	2.05	2.06	2.07	2.07	2.08
	35°F (1.7°C)	18427	18058	17968	17481	17324	1.92	1.94	1.94	1.95	1.95
	37°F (2.8°C)	18876	18499	18406	17908	17747	1.90	1.92	1.92	1.93	1.93
	42°F (5.6°C)	20001	19601	19503	18975	18804	1.86	1.87	1.87	1.88	1.89
	44.6°F (7.0°C)	20451	20042	19942	19402	19227	1.84	1.85	1.86	1.86	1.87
	47°F (8.3°C)	21126	20704	20600	20042	19862	1.81	1.82	1.83	1.83	1.84
	52°F (11.1°C)	19215	18831	18737	18229	18065	1.64	1.66	1.66	1.66	1.67
	57°F (13.9°C)	17304	16958	16873	16416	16268	1.48	1.49	1.49	1.50	1.50
	59°F (15.0°C)	16540	16209	16128	15691	15550	1.41	1.42	1.43	1.43	1.43
62°F (16.7°C)	15393	15085	15010	14603	14472	1.31	1.32	1.33	1.33	1.33	
64.4°F (18.0°C)	14629	14336	14265	13878	13753	1.25	1.26	1.26	1.26	1.27	

Table 19: Heating Performance - 18K D5CUHA + D5FUAA (Sheet 2 of 2)

580	-22°F (-30.0°C)	11096	10874	10820	10776	10679	2.09	2.11	2.11	2.11	2.12
	-13°F (-25.0°C)	13965	13686	13617	13563	13441	2.32	2.33	2.34	2.34	2.35
	-4°F (-20.0°C)	16581	16250	16169	16104	15959	2.50	2.52	2.53	2.53	2.54
	0°F (-17.8°C)	17914	17555	17468	17398	17241	2.61	2.63	2.63	2.64	2.65
	5°F (-15.0°C)	19579	19187	19091	19015	18844	2.74	2.76	2.77	2.77	2.78
	14°F (-10.0°C)	21005	20585	20482	20400	20216	2.71	2.73	2.73	2.74	2.75
	17°F (-8.3°C)	21480	21051	20945	20862	20674	2.70	2.72	2.72	2.73	2.74
	22°F (-5.6°C)	20826	20409	20307	20226	20044	2.49	2.51	2.51	2.52	2.53
	27°F (-2.8°C)	20171	19768	19669	19590	19414	2.28	2.30	2.30	2.31	2.31
	32°F (-0.0°C)	19516	19126	19030	18954	18784	2.07	2.08	2.09	2.09	2.10
	35°F (1.7°C)	19124	18741	18647	18573	18406	1.94	1.96	1.96	1.97	1.97
	37°F (2.8°C)	19591	19199	19103	19026	18855	1.92	1.94	1.94	1.95	1.95
	42°F (5.6°C)	20758	20343	20241	20160	19979	1.87	1.89	1.89	1.90	1.90
	44.6°F (7.0°C)	21225	20800	20696	20614	20428	1.86	1.87	1.87	1.88	1.89
	47°F (8.3°C)	21925	21487	21379	21294	21102	1.83	1.84	1.84	1.85	1.86
	52°F (11.1°C)	19942	19543	19446	19368	19193	1.66	1.67	1.68	1.68	1.69
	57°F (13.9°C)	17959	17600	17512	17442	17285	1.49	1.50	1.51	1.51	1.52
	59°F (15.0°C)	17166	16822	16738	16671	16521	1.43	1.44	1.44	1.44	1.45
	62°F (16.7°C)	15976	15656	15578	15515	15376	1.33	1.34	1.34	1.34	1.35
	64.4°F (18.0°C)	15182	14879	14804	14745	14612	1.26	1.27	1.27	1.27	1.28
620	-22°F (-30.0°C)	11516	11285	11229	11184	11083	2.11	2.13	2.13	2.14	2.14
	-13°F (-25.0°C)	14493	14204	14133	14076	13949	2.34	2.36	2.36	2.37	2.38
	-4°F (-20.0°C)	17209	16865	16780	16713	16563	2.53	2.55	2.55	2.56	2.57
	0°F (-17.8°C)	18591	18219	18128	18056	17893	2.63	2.66	2.66	2.67	2.68
	5°F (-15.0°C)	20319	19913	19813	19734	19557	2.77	2.79	2.79	2.80	2.81
	14°F (-10.0°C)	21800	21364	21257	21172	20981	2.73	2.76	2.76	2.77	2.78
	17°F (-8.3°C)	22293	21847	21738	21651	21456	2.72	2.75	2.75	2.76	2.77
	22°F (-5.6°C)	21614	21181	21075	20991	20802	2.51	2.53	2.54	2.54	2.55
	27°F (-2.8°C)	20934	20515	20413	20331	20148	2.30	2.32	2.32	2.33	2.34
	32°F (-0.0°C)	20255	19850	19750	19671	19494	2.09	2.11	2.11	2.11	2.12
	35°F (1.7°C)	19847	19450	19353	19275	19102	1.96	1.98	1.98	1.99	1.99
	37°F (2.8°C)	20332	19925	19825	19746	19568	1.94	1.96	1.96	1.97	1.97
	42°F (5.6°C)	21543	21112	21007	20923	20734	1.89	1.91	1.91	1.92	1.92
	44.6°F (7.0°C)	22028	21587	21479	21393	21201	1.87	1.89	1.89	1.90	1.90
	47°F (8.3°C)	22755	22300	22188	22099	21901	1.84	1.86	1.86	1.87	1.87
	52°F (11.1°C)	20697	20283	20181	20100	19920	1.68	1.69	1.69	1.70	1.70
	57°F (13.9°C)	18638	18265	18174	18101	17939	1.51	1.52	1.52	1.53	1.53
	59°F (15.0°C)	17815	17459	17371	17302	17146	1.44	1.45	1.46	1.46	1.46
	62°F (16.7°C)	16580	16248	16167	16102	15957	1.34	1.35	1.35	1.36	1.36
	64.4°F (18.0°C)	15757	15441	15364	15303	15165	1.27	1.28	1.29	1.29	1.29

Cooling Performance - 24K D5CUHA + D5FUAA

Table 20: Cooling Performance - 24K D5CUHA + D5FUAA (Sheet 1 of 8)

AIRFLOW (CFM)	OUTDOOR DB °F (°C)	ID WB(°F) ID DB(°F)	60.8°F (16.0°C)					64.4°F (18.0°C)					67°F (19.4°C)					71.6°F (22.0°C)				
			73.4°F (23.0°C)	77.0°F (25.0°C)	80.0°F (26.7°C)	80.6°F (27.0°C)	84.2°F (29.0°C)	73.4°F (23.0°C)	77.0°F (25.0°C)	80.0°F (26.7°C)	80.6°F (27.0°C)	84.2°F (29.0°C)	73.4°F (23.0°C)	77.0°F (25.0°C)	80.0°F (26.7°C)	80.6°F (27.0°C)	84.2°F (29.0°C)	73.4°F (23.0°C)	77.0°F (25.0°C)	80.0°F (26.7°C)	80.6°F (27.0°C)	84.2°F (29.0°C)
629	-22°F (-30.0°C)	TC	15617	15638	15655	15655	15676	16558	16577	16594	16597	16617	17547	17570	17589	17593	17612	18604	18625	18645	18648	18671
		S/T	0.41	0.48	0.54	0.54	0.62	0.43	0.51	0.58	0.58	0.66	0.46	0.54	0.61	0.61	0.70	0.48	0.57	0.65	0.65	0.74
		PI	0.60	0.60	0.60	0.60	0.60	0.64	0.64	0.64	0.64	0.64	0.68	0.68	0.68	0.68	0.68	0.72	0.72	0.72	0.72	0.72
	-13°F (-25.0°C)	TC	16918	16941	16959	16960	16983	17938	17959	17977	17980	18002	19009	19034	19055	19059	19080	20155	20177	20199	20202	20227
		S/T	0.41	0.48	0.55	0.55	0.62	0.43	0.51	0.58	0.58	0.66	0.46	0.54	0.61	0.61	0.70	0.49	0.57	0.65	0.65	0.74
		PI	0.65	0.65	0.65	0.65	0.66	0.69	0.69	0.69	0.69	0.69	0.73	0.73	0.73	0.74	0.74	0.78	0.78	0.78	0.78	0.78
	-4°F (-20.0°C)	TC	18219	18244	18264	18264	18289	19317	19340	19359	19363	19386	20472	20498	20521	20525	20548	21705	21729	21752	21756	21783
		S/T	0.41	0.48	0.55	0.55	0.63	0.44	0.51	0.58	0.58	0.66	0.46	0.54	0.62	0.62	0.70	0.49	0.58	0.65	0.65	0.75
		PI	0.70	0.70	0.70	0.70	0.71	0.75	0.75	0.75	0.75	0.75	0.79	0.79	0.79	0.79	0.79	0.84	0.84	0.84	0.84	0.84
	0°F (-17.8°C)	TC	18798	18823	18843	18844	18870	19931	19954	19974	19978	20002	21121	21149	21172	21176	21200	22394	22418	22443	22446	22474
		S/T	0.41	0.48	0.55	0.55	0.63	0.44	0.51	0.58	0.58	0.67	0.46	0.54	0.62	0.62	0.71	0.49	0.58	0.66	0.66	0.75
		PI	0.73	0.73	0.73	0.73	0.73	0.77	0.77	0.77	0.77	0.77	0.81	0.82	0.82	0.82	0.82	0.86	0.86	0.87	0.87	0.87
	5°F (-15.0°C)	TC	19521	19547	19568	19569	19595	20697	20722	20742	20746	20771	21934	21962	21987	21991	22015	23255	23281	23306	23310	23339
		S/T	0.42	0.49	0.55	0.55	0.63	0.44	0.52	0.59	0.59	0.67	0.47	0.55	0.62	0.62	0.71	0.49	0.58	0.66	0.66	0.75
		PI	0.75	0.75	0.75	0.75	0.76	0.80	0.80	0.80	0.80	0.80	0.85	0.85	0.85	0.85	0.85	0.90	0.90	0.90	0.90	0.90
	14°F (-10.0°C)	TC	19430	19456	19477	19478	19504	20600	20625	20645	20649	20674	21831	21860	21884	21888	21912	23147	23172	23197	23201	23230
		S/T	0.42	0.49	0.55	0.55	0.63	0.44	0.52	0.59	0.59	0.67	0.47	0.55	0.62	0.62	0.71	0.50	0.58	0.66	0.66	0.75
		PI	0.86	0.86	0.86	0.86	0.86	0.91	0.91	0.91	0.91	0.91	0.96	0.96	0.96	0.96	0.97	1.02	1.02	1.02	1.02	1.02
	17°F (-8.3°C)	TC	19399	19425	19446	19447	19473	20568	20593	20613	20617	20641	21797	21825	21850	21854	21878	23110	23136	23161	23164	23193
		S/T	0.42	0.49	0.56	0.56	0.63	0.44	0.52	0.59	0.59	0.67	0.47	0.55	0.63	0.63	0.71	0.50	0.58	0.66	0.66	0.76
		PI	0.89	0.89	0.89	0.89	0.89	0.94	0.95	0.95	0.95	0.95	1.00	1.00	1.00	1.00	1.00	1.06	1.06	1.06	1.06	1.06
	23°F (-5.0°C)	TC	19132	19157	19178	19179	19205	20285	20309	20329	20333	20357	21496	21524	21548	21552	21576	22792	22816	22841	22845	22873
		S/T	0.42	0.49	0.56	0.56	0.64	0.44	0.52	0.59	0.59	0.68	0.47	0.55	0.63	0.63	0.72	0.50	0.59	0.67	0.67	0.76
		PI	0.93	0.93	0.93	0.93	0.93	0.99	0.99	0.99	0.99	0.99	1.05	1.05	1.05	1.05	1.05	1.11	1.11	1.11	1.11	1.11
35°F (1.7°C)	TC	18596	18621	18641	18642	18667	19717	19740	19760	19764	19787	20895	20922	20945	20949	20973	22154	22178	22202	22206	22233	
	S/T	0.42	0.49	0.56	0.56	0.64	0.45	0.52	0.60	0.60	0.68	0.47	0.56	0.63	0.63	0.72	0.50	0.59	0.67	0.67	0.76	
	PI	1.01	1.01	1.01	1.01	1.02	1.07	1.07	1.08	1.08	1.08	1.14	1.14	1.14	1.14	1.14	1.21	1.21	1.21	1.21	1.21	
41°F (5.0°C)	TC	18157	18182	18201	18202	18227	19252	19274	19293	19297	19320	20402	20428	20451	20455	20478	21631	21655	21678	21682	21709	
	S/T	0.42	0.50	0.56	0.56	0.64	0.45	0.53	0.60	0.60	0.68	0.47	0.56	0.63	0.63	0.72	0.50	0.59	0.67	0.67	0.76	
	PI	0.91	0.91	0.91	0.91	0.91	0.96	0.96	0.96	0.96	0.97	1.02	1.02	1.02	1.02	1.02	1.08	1.08	1.08	1.08	1.09	
47°F (8.3°C)	TC	17718	17742	17761	17762	17786	18786	18809	18827	18831	18853	19909	19934	19957	19960	19983	21108	21131	21154	21157	21184	
	S/T	0.42	0.50	0.56	0.56	0.64	0.45	0.53	0.60	0.60	0.68	0.48	0.56	0.63	0.63	0.72	0.50	0.59	0.67	0.67	0.77	
	PI	0.80	0.80	0.80	0.80	0.81	0.85	0.85	0.85	0.85	0.85	0.90	0.90	0.90	0.90	0.91	0.96	0.96	0.96	0.96	0.96	

Manufacturer reserves the right to change, at any time, specifications and designs without notice and without obligations.

Table 20: Cooling Performance - 24K D5CUHA + D5FUA (Sheet 2 of 8)

629	50°F (10.0°C)	TC	17667	17691	17710	17710	17734	18731	18754	18772	18776	18798	19851	19876	19898	19902	19924	21047	21069	21092	21096	21122
		S/T	0.43	0.50	0.57	0.57	0.65	0.45	0.53	0.60	0.60	0.69	0.48	0.56	0.64	0.64	0.73	0.51	0.60	0.68	0.68	0.77
		PI	0.81	0.81	0.82	0.82	0.82	0.86	0.86	0.86	0.86	0.87	0.91	0.92	0.92	0.92	0.92	0.97	0.97	0.97	0.97	0.97
	59°F (15.0°C)	TC	17512	17535	17554	17555	17579	18567	18589	18607	18611	18633	19676	19702	19724	19727	19749	20862	20884	20907	20910	20937
		S/T	0.43	0.50	0.57	0.57	0.65	0.45	0.53	0.60	0.60	0.69	0.48	0.56	0.64	0.64	0.73	0.51	0.60	0.68	0.68	0.77
		PI	0.84	0.85	0.85	0.85	0.85	0.90	0.90	0.90	0.90	0.90	0.95	0.95	0.95	0.95	0.95	1.01	1.01	1.01	1.01	1.01
	68°F (20.0°C)	TC	17357	17380	17399	17399	17423	18403	18424	18443	18446	18468	19502	19527	19549	19553	19575	20677	20700	20722	20725	20751
		S/T	0.44	0.52	0.59	0.59	0.67	0.47	0.55	0.62	0.62	0.71	0.49	0.58	0.66	0.66	0.75	0.52	0.61	0.70	0.70	0.80
		PI	0.88	0.88	0.88	0.88	0.88	0.93	0.93	0.93	0.93	0.93	0.98	0.98	0.99	0.99	0.99	1.04	1.04	1.05	1.05	1.05
	77°F (25.0°C)	TC	17201	17225	17243	17244	17267	18238	18260	18278	18281	18303	19328	19353	19374	19378	19400	20492	20515	20537	20540	20566
		S/T	0.45	0.52	0.59	0.59	0.68	0.47	0.55	0.63	0.63	0.72	0.50	0.59	0.67	0.67	0.76	0.53	0.62	0.71	0.71	0.81
		PI	0.91	0.91	0.91	0.91	0.91	0.96	0.96	0.96	0.96	0.96	1.02	1.02	1.02	1.02	1.02	1.08	1.08	1.08	1.08	1.08
	82°F (27.8°C)	TC	17673	17696	17715	17716	17740	18738	18760	18778	18782	18804	19857	19883	19905	19909	19931	21054	21076	21099	21103	21129
		S/T	0.45	0.53	0.60	0.60	0.69	0.48	0.56	0.64	0.64	0.73	0.51	0.59	0.68	0.68	0.77	0.54	0.63	0.72	0.72	0.82
		PI	1.08	1.08	1.08	1.08	1.08	1.15	1.15	1.15	1.15	1.15	1.21	1.22	1.22	1.22	1.22	1.29	1.29	1.29	1.29	1.29
	86°F (30.0°C)	TC	18753	18778	18798	18799	18825	19883	19907	19926	19930	19954	21071	21098	21122	21126	21149	22340	22365	22389	22393	22420
		S/T	0.46	0.54	0.61	0.61	0.69	0.48	0.57	0.65	0.65	0.74	0.51	0.60	0.68	0.68	0.78	0.54	0.64	0.72	0.72	0.83
		PI	1.42	1.42	1.42	1.42	1.42	1.50	1.50	1.51	1.51	1.51	1.59	1.59	1.60	1.60	1.60	1.69	1.69	1.69	1.69	1.69
	95°F (35.0°C)	TC	21183	21212	21235	21236	21264	22460	22487	22509	22513	22540	23802	23833	23859	23864	23890	25236	25263	25291	25295	25326
		S/T	0.46	0.54	0.61	0.61	0.69	0.48	0.57	0.65	0.65	0.74	0.51	0.60	0.68	0.68	0.78	0.54	0.64	0.72	0.72	0.83
		PI	2.18	2.18	2.18	2.18	2.18	2.31	2.31	2.31	2.31	2.31	2.44	2.45	2.45	2.45	2.45	2.59	2.59	2.60	2.60	2.60
	104°F (40.0°C)	TC	19827	19854	19875	19876	19903	21022	21047	21068	21072	21097	22278	22307	22332	22336	22361	23620	23646	23672	23675	23705
		S/T	0.47	0.55	0.62	0.62	0.71	0.50	0.58	0.66	0.66	0.75	0.53	0.62	0.70	0.70	0.80	0.56	0.65	0.74	0.74	0.85
		PI	2.17	2.18	2.18	2.18	2.18	2.30	2.31	2.31	2.31	2.31	2.44	2.44	2.45	2.45	2.45	2.59	2.59	2.59	2.59	2.60
	110°F (43.0°C)	TC	19013	19039	19059	19060	19086	20159	20183	20203	20207	20231	21364	21391	21415	21419	21443	22651	22675	22700	22704	22732
S/T		0.49	0.57	0.65	0.65	0.74	0.51	0.60	0.69	0.69	0.78	0.54	0.64	0.73	0.73	0.83	0.58	0.68	0.77	0.77	0.88	
PI		2.17	2.17	2.18	2.18	2.18	2.30	2.31	2.31	2.31	2.31	2.44	2.44	2.45	2.45	2.45	2.59	2.59	2.59	2.59	2.60	
115°F (46.0°C)	TC	16190	16212	16229	16230	16252	17165	17186	17203	17206	17227	18191	18215	18235	18238	18259	19287	19308	19329	19332	19356	
	S/T	0.49	0.58	0.65	0.65	0.75	0.52	0.61	0.69	0.69	0.79	0.55	0.65	0.74	0.74	0.84	0.58	0.69	0.78	0.78	0.89	
	PI	1.96	1.96	1.97	1.97	1.97	2.08	2.08	2.08	2.08	2.09	2.20	2.21	2.21	2.21	2.21	2.34	2.34	2.34	2.34	2.34	
122°F (50.0°C)	TC	12425	12442	12455	12456	12473	13174	13190	13203	13205	13221	13961	13979	13995	13997	14013	14802	14818	14834	14837	14855	
	S/T	0.50	0.59	0.67	0.67	0.76	0.53	0.62	0.71	0.71	0.81	0.56	0.66	0.75	0.75	0.86	0.60	0.70	0.80	0.80	0.91	
	PI	1.68	1.68	1.68	1.68	1.69	1.78	1.78	1.78	1.78	1.79	1.89	1.89	1.89	1.89	1.89	2.00	2.00	2.00	2.00	2.01	
694	-22°F (-30.0°C)	TC	16455	16477	16495	16495	16518	17446	17467	17484	17488	17508	18489	18513	18533	18537	18557	19603	19624	19645	19648	19673
		S/T	0.43	0.50	0.57	0.57	0.65	0.45	0.53	0.61	0.61	0.69	0.48	0.57	0.64	0.64	0.73	0.51	0.60	0.68	0.68	0.78
		PI	0.63	0.64	0.64	0.64	0.64	0.67	0.67	0.67	0.67	0.68	0.71	0.71	0.71	0.71	0.72	0.76	0.76	0.76	0.76	0.76

Manufacturer reserves the right to change, at any time, specifications and designs without notice and without obligations.

Table 20: Cooling Performance - 24K D5CUHA + D5FUA (Sheet 3 of 8)

629	-13°F (-25.0°C)	TC	17826	17850	17869	17870	17894	18900	18923	18941	18945	18968	20029	20055	20078	20081	20104	21236	21259	21282	21286	21312
		S/T	0.43	0.51	0.58	0.58	0.66	0.46	0.54	0.61	0.61	0.70	0.49	0.57	0.65	0.65	0.74	0.51	0.60	0.69	0.69	0.78
		PI	0.69	0.69	0.69	0.69	0.69	0.73	0.73	0.73	0.73	0.73	0.77	0.77	0.77	0.77	0.78	0.82	0.82	0.82	0.82	0.82
	-4°F (-20.0°C)	TC	19197	19223	19244	19245	19270	20354	20378	20398	20402	20427	21570	21598	21622	21626	21650	22870	22895	22920	22923	22952
		S/T	0.43	0.51	0.58	0.58	0.66	0.46	0.54	0.61	0.61	0.70	0.49	0.57	0.65	0.65	0.74	0.52	0.61	0.69	0.69	0.79
		PI	0.74	0.74	0.74	0.74	0.74	0.79	0.79	0.79	0.79	0.79	0.83	0.83	0.83	0.83	0.84	0.88	0.88	0.88	0.88	0.89
	0°F (-17.8°C)	TC	19807	19833	19855	19855	19882	21000	21025	21046	21050	21075	22255	22284	22309	22313	22338	23596	23621	23647	23651	23680
		S/T	0.44	0.51	0.58	0.58	0.66	0.46	0.54	0.62	0.62	0.70	0.49	0.57	0.65	0.65	0.74	0.52	0.61	0.69	0.69	0.79
		PI	0.76	0.76	0.77	0.77	0.77	0.81	0.81	0.81	0.81	0.81	0.86	0.86	0.86	0.86	0.86	0.91	0.91	0.91	0.91	0.91
	5°F (-15.0°C)	TC	20568	20596	20618	20619	20647	21808	21834	21855	21860	21886	23111	23141	23167	23171	23197	24503	24530	24557	24560	24591
		S/T	0.44	0.51	0.58	0.58	0.67	0.46	0.54	0.62	0.62	0.71	0.49	0.58	0.66	0.66	0.75	0.52	0.61	0.69	0.69	0.79
		PI	0.79	0.79	0.80	0.80	0.80	0.84	0.84	0.84	0.84	0.84	0.89	0.89	0.89	0.89	0.89	0.95	0.95	0.95	0.95	0.95
	14°F (-10.0°C)	TC	20472	20500	20522	20523	20550	21706	21732	21753	21757	21783	23003	23033	23058	23063	23088	24389	24415	24442	24446	24476
		S/T	0.44	0.51	0.58	0.58	0.67	0.46	0.55	0.62	0.62	0.71	0.49	0.58	0.66	0.66	0.75	0.52	0.61	0.70	0.70	0.79
		PI	0.90	0.90	0.90	0.90	0.91	0.96	0.96	0.96	0.96	0.96	1.01	1.01	1.02	1.02	1.02	1.07	1.08	1.08	1.08	1.08
	17°F (-8.3°C)	TC	20440	20468	20490	20491	20518	21672	21698	21719	21723	21749	22967	22997	23022	23026	23052	24351	24377	24404	24407	24438
		S/T	0.44	0.52	0.59	0.59	0.67	0.47	0.55	0.62	0.62	0.71	0.49	0.58	0.66	0.66	0.75	0.52	0.61	0.70	0.70	0.80
		PI	0.94	0.94	0.94	0.94	0.94	0.99	1.00	1.00	1.00	1.00	1.05	1.06	1.06	1.06	1.06	1.12	1.12	1.12	1.12	1.12
	23°F (-5.0°C)	TC	20158	20185	20207	20208	20235	21373	21398	21419	21424	21449	22650	22679	22705	22709	22734	24015	24041	24067	24071	24101
		S/T	0.44	0.52	0.59	0.59	0.67	0.47	0.55	0.62	0.62	0.71	0.50	0.58	0.66	0.66	0.75	0.53	0.62	0.70	0.70	0.80
		PI	0.98	0.98	0.98	0.98	0.98	1.04	1.04	1.04	1.04	1.04	1.10	1.10	1.10	1.11	1.11	1.17	1.17	1.17	1.17	1.17
	35°F (1.7°C)	TC	19594	19621	19642	19643	19669	20775	20800	20820	20824	20849	22016	22045	22069	22074	22098	23343	23368	23394	23397	23426
		S/T	0.44	0.52	0.59	0.59	0.68	0.47	0.55	0.63	0.63	0.72	0.50	0.59	0.67	0.67	0.76	0.53	0.62	0.71	0.71	0.80
		PI	1.07	1.07	1.07	1.07	1.07	1.13	1.13	1.13	1.13	1.14	1.20	1.20	1.20	1.20	1.20	1.27	1.27	1.27	1.27	1.28
41°F (5.0°C)	TC	19132	19157	19178	19179	19205	20285	20309	20329	20333	20357	21497	21525	21549	21553	21577	22792	22817	22841	22845	22873	
	S/T	0.45	0.52	0.59	0.59	0.68	0.47	0.55	0.63	0.63	0.72	0.50	0.59	0.67	0.67	0.76	0.53	0.62	0.71	0.71	0.81	
	PI	0.96	0.96	0.96	0.96	0.96	1.01	1.02	1.02	1.02	1.02	1.07	1.08	1.08	1.08	1.08	1.14	1.14	1.14	1.14	1.14	
47°F (8.3°C)	TC	18669	18694	18714	18715	18741	19794	19818	19837	19841	19865	20977	21004	21028	21032	21055	22241	22265	22289	22293	22320	
	S/T	0.45	0.52	0.60	0.60	0.68	0.47	0.56	0.63	0.63	0.72	0.50	0.59	0.67	0.67	0.76	0.53	0.62	0.71	0.71	0.81	
	PI	0.85	0.85	0.85	0.85	0.85	0.90	0.90	0.90	0.90	0.90	0.95	0.95	0.95	0.95	0.95	1.01	1.01	1.01	1.01	1.01	
50°F (10.0°C)	TC	18615	18640	18660	18661	18686	19737	19760	19779	19783	19807	20916	20943	20966	20970	20994	22176	22200	22224	22228	22255	
	S/T	0.45	0.53	0.60	0.60	0.68	0.48	0.56	0.63	0.63	0.72	0.50	0.59	0.67	0.67	0.77	0.53	0.63	0.71	0.71	0.81	
	PI	0.86	0.86	0.86	0.86	0.86	0.91	0.91	0.91	0.91	0.91	0.96	0.96	0.97	0.97	0.97	1.02	1.02	1.02	1.02	1.02	
59°F (15.0°C)	TC	18451	18476	18496	18497	18522	19563	19586	19606	19610	19633	20732	20759	20782	20786	20809	21981	22005	22029	22033	22060	
	S/T	0.45	0.53	0.60	0.60	0.69	0.48	0.56	0.64	0.64	0.73	0.51	0.59	0.68	0.68	0.77	0.54	0.63	0.72	0.72	0.82	
	PI	0.89	0.89	0.89	0.89	0.89	0.94	0.94	0.95	0.95	0.95	1.00	1.00	1.00	1.00	1.00	1.06	1.06	1.06	1.06	1.06	

Manufacturer reserves the right to change, at any time, specifications and designs without notice and without obligations.

Table 20: Cooling Performance - 24K D5CUHA + D5FUA (Sheet 4 of 8)

629	68°F (20.0°C)	TC	18288	18313	18332	18333	18358	19390	19413	19432	19436	19459	20549	20575	20598	20602	20625	21787	21810	21834	21837	21865
		S/T	0.46	0.54	0.62	0.62	0.70	0.49	0.58	0.65	0.65	0.75	0.52	0.61	0.69	0.69	0.79	0.55	0.65	0.74	0.74	0.84
		PI	0.92	0.92	0.92	0.92	0.93	0.98	0.98	0.98	0.98	0.98	1.04	1.04	1.04	1.04	1.04	1.10	1.10	1.10	1.10	1.10
	77°F (25.0°C)	TC	18125	18149	18168	18169	18194	19217	19240	19259	19262	19285	20365	20391	20414	20418	20441	21592	21615	21639	21642	21669
		S/T	0.47	0.55	0.63	0.63	0.71	0.50	0.58	0.66	0.66	0.76	0.53	0.62	0.70	0.70	0.80	0.56	0.66	0.74	0.74	0.85
		PI	0.95	0.96	0.96	0.96	0.96	1.01	1.01	1.01	1.01	1.02	1.07	1.07	1.08	1.08	1.08	1.14	1.14	1.14	1.14	1.14
	82°F (27.8°C)	TC	18621	18646	18666	18667	18692	19743	19767	19786	19790	19813	20923	20950	20973	20977	21001	22183	22207	22232	22235	22263
		S/T	0.47	0.56	0.63	0.63	0.72	0.50	0.59	0.67	0.67	0.77	0.53	0.63	0.71	0.71	0.81	0.57	0.66	0.75	0.75	0.86
		PI	1.14	1.14	1.14	1.14	1.14	1.21	1.21	1.21	1.21	1.21	1.28	1.28	1.28	1.28	1.28	1.36	1.36	1.36	1.36	1.36
	86°F (30.0°C)	TC	19759	19786	19807	19808	19835	20950	20975	20996	21000	21025	22202	22230	22255	22259	22284	23539	23565	23591	23594	23624
		S/T	0.48	0.56	0.64	0.64	0.73	0.51	0.60	0.68	0.68	0.77	0.54	0.63	0.72	0.72	0.82	0.57	0.67	0.76	0.76	0.87
		PI	1.49	1.50	1.50	1.50	1.50	1.58	1.59	1.59	1.59	1.59	1.68	1.68	1.68	1.68	1.68	1.78	1.78	1.78	1.78	1.79
	95°F (35.0°C)	TC	22320	22350	22374	22375	22405	23665	23693	23717	23721	23750	25079	25112	25140	25144	25172	26590	26619	26648	26652	26685
		S/T	0.48	0.56	0.64	0.64	0.73	0.51	0.60	0.68	0.68	0.77	0.54	0.63	0.72	0.72	0.82	0.57	0.67	0.76	0.76	0.87
		PI	2.29	2.30	2.30	2.30	2.30	2.43	2.43	2.44	2.44	2.44	2.58	2.58	2.58	2.58	2.58	2.73	2.73	2.74	2.74	2.74
	104°F (40.0°C)	TC	20891	20919	20942	20943	20971	22150	22176	22198	22203	22229	23473	23504	23530	23534	23561	24888	24915	24942	24946	24977
		S/T	0.49	0.58	0.66	0.66	0.75	0.52	0.61	0.70	0.70	0.79	0.55	0.65	0.74	0.74	0.84	0.59	0.69	0.78	0.78	0.89
		PI	2.29	2.29	2.30	2.30	2.30	2.43	2.43	2.43	2.43	2.44	2.57	2.58	2.58	2.58	2.58	2.73	2.73	2.73	2.73	2.74
	110°F (43.0°C)	TC	20034	20061	20082	20083	20110	21241	21266	21287	21291	21317	22510	22539	22564	22568	22594	23866	23892	23918	23922	23952
		S/T	0.51	0.60	0.68	0.68	0.78	0.54	0.64	0.72	0.72	0.82	0.57	0.67	0.77	0.77	0.87	0.61	0.71	0.81	0.81	0.93
		PI	2.29	2.29	2.29	2.29	2.30	2.43	2.43	2.43	2.43	2.43	2.57	2.57	2.58	2.58	2.58	2.73	2.73	2.73	2.73	2.74
115°F (46.0°C)	TC	17059	17082	17100	17101	17124	18087	18108	18126	18130	18151	19167	19192	19213	19217	19238	20322	20344	20366	20369	20395	
	S/T	0.52	0.61	0.69	0.69	0.79	0.55	0.64	0.73	0.73	0.83	0.58	0.68	0.77	0.77	0.88	0.62	0.72	0.82	0.82	0.94	
	PI	2.07	2.07	2.07	2.07	2.07	2.19	2.19	2.19	2.20	2.20	2.32	2.32	2.33	2.33	2.33	2.46	2.46	2.47	2.47	2.47	
122°F (50.0°C)	TC	13092	13110	13124	13124	13142	13881	13897	13911	13914	13930	14710	14729	14746	14748	14765	15597	15614	15631	15633	15652	
	S/T	0.53	0.62	0.71	0.71	0.80	0.56	0.66	0.75	0.75	0.85	0.59	0.70	0.79	0.79	0.90	0.63	0.74	0.84	0.84	0.96	
	PI	1.77	1.77	1.77	1.77	1.78	1.88	1.88	1.88	1.88	1.88	1.99	1.99	1.99	1.99	2.00	2.11	2.11	2.11	2.11	2.11	
759	-22°F (-30.0°C)	TC	17338	17361	17380	17380	17404	18383	18404	18422	18426	18448	19481	19506	19528	19531	19553	20655	20677	20700	20703	20729
		S/T	0.45	0.53	0.60	0.60	0.69	0.48	0.56	0.64	0.64	0.73	0.51	0.60	0.68	0.68	0.77	0.54	0.63	0.72	0.72	0.82
		PI	0.67	0.67	0.67	0.67	0.67	0.71	0.71	0.71	0.71	0.71	0.75	0.75	0.75	0.75	0.75	0.80	0.80	0.80	0.80	0.80
	-13°F (-25.0°C)	TC	18782	18808	18828	18829	18854	19914	19938	19958	19962	19985	21104	21132	21155	21159	21183	22376	22400	22424	22428	22456
		S/T	0.45	0.53	0.61	0.61	0.69	0.48	0.57	0.64	0.64	0.73	0.51	0.60	0.68	0.68	0.78	0.54	0.64	0.72	0.72	0.82
		PI	0.72	0.73	0.73	0.73	0.73	0.77	0.77	0.77	0.77	0.77	0.81	0.82	0.82	0.82	0.82	0.86	0.86	0.86	0.87	0.87
	-4°F (-20.0°C)	TC	20227	20255	20276	20277	20305	21446	21472	21493	21497	21523	22728	22757	22782	22787	22812	24097	24123	24149	24153	24183
		S/T	0.46	0.54	0.61	0.61	0.70	0.48	0.57	0.65	0.65	0.74	0.51	0.60	0.69	0.69	0.78	0.54	0.64	0.73	0.73	0.83
		PI	0.78	0.78	0.78	0.78	0.78	0.83	0.83	0.83	0.83	0.83	0.88	0.88	0.88	0.88	0.88	0.93	0.93	0.93	0.93	0.93

Manufacturer reserves the right to change, at any time, specifications and designs without notice and without obligations. 87

Table 20: Cooling Performance - 24K D5CUHA + D5FUA (Sheet 5 of 8)

759	0°F (-17.8°C)	TC	20869	20898	20920	20921	20949	22127	22153	22175	22180	22206	23449	23480	23506	23510	23536	24862	24889	24916	24920	24951
		S/T	0.46	0.54	0.61	0.61	0.70	0.49	0.57	0.65	0.65	0.74	0.52	0.60	0.69	0.69	0.78	0.55	0.64	0.73	0.73	0.83
		PI	0.80	0.81	0.81	0.81	0.81	0.85	0.85	0.86	0.86	0.86	0.90	0.91	0.91	0.91	0.91	0.96	0.96	0.96	0.96	0.96
	5°F (-15.0°C)	TC	21672	21701	21725	21726	21755	22978	23005	23028	23033	23060	24351	24383	24410	24414	24442	25818	25846	25874	25878	25911
		S/T	0.46	0.54	0.61	0.61	0.70	0.49	0.57	0.65	0.65	0.74	0.52	0.61	0.69	0.69	0.79	0.55	0.64	0.73	0.73	0.83
		PI	0.84	0.84	0.84	0.84	0.84	0.89	0.89	0.89	0.89	0.89	0.94	0.94	0.94	0.94	0.94	1.00	1.00	1.00	1.00	1.00
	14°F (-10.0°C)	TC	21571	21600	21623	21624	21653	22871	22898	22920	22925	22952	24237	24269	24296	24300	24327	25697	25725	25753	25757	25789
		S/T	0.46	0.54	0.62	0.62	0.70	0.49	0.57	0.65	0.65	0.74	0.52	0.61	0.69	0.69	0.79	0.55	0.65	0.73	0.73	0.84
		PI	0.95	0.95	0.95	0.95	0.95	1.01	1.01	1.01	1.01	1.01	1.07	1.07	1.07	1.07	1.07	1.13	1.13	1.13	1.13	1.14
	17°F (-8.3°C)	TC	21537	21566	21589	21590	21619	22835	22862	22885	22889	22916	24199	24231	24258	24262	24289	25657	25685	25713	25717	25749
		S/T	0.46	0.54	0.62	0.62	0.70	0.49	0.58	0.65	0.65	0.75	0.52	0.61	0.69	0.69	0.79	0.55	0.65	0.74	0.74	0.84
		PI	0.99	0.99	0.99	0.99	0.99	1.05	1.05	1.05	1.05	1.05	1.11	1.11	1.11	1.11	1.11	1.18	1.18	1.18	1.18	1.18
	23°F (-5.0°C)	TC	21240	21268	21291	21292	21321	22520	22547	22569	22573	22600	23865	23896	23923	23927	23954	25303	25331	25358	25362	25394
		S/T	0.47	0.55	0.62	0.62	0.71	0.49	0.58	0.66	0.66	0.75	0.52	0.61	0.70	0.70	0.80	0.55	0.65	0.74	0.74	0.84
		PI	1.03	1.04	1.04	1.04	1.04	1.10	1.10	1.10	1.10	1.10	1.16	1.16	1.16	1.16	1.17	1.23	1.23	1.23	1.23	1.24
	35°F (1.7°C)	TC	20646	20673	20696	20697	20725	21890	21916	21937	21942	21968	23198	23228	23254	23258	23284	24595	24622	24649	24653	24684
		S/T	0.47	0.55	0.62	0.62	0.71	0.50	0.58	0.66	0.66	0.75	0.53	0.62	0.70	0.70	0.80	0.56	0.65	0.74	0.74	0.85
		PI	1.12	1.13	1.13	1.13	1.13	1.19	1.19	1.19	1.19	1.20	1.26	1.26	1.27	1.27	1.27	1.34	1.34	1.34	1.34	1.34
	41°F (5.0°C)	TC	20158	20186	20207	20208	20235	21373	21399	21420	21424	21449	22650	22680	22705	22709	22734	24015	24041	24067	24071	24101
		S/T	0.47	0.55	0.63	0.63	0.71	0.50	0.58	0.66	0.66	0.76	0.53	0.62	0.70	0.70	0.80	0.56	0.66	0.74	0.74	0.85
		PI	1.01	1.01	1.01	1.01	1.01	1.07	1.07	1.07	1.07	1.07	1.13	1.13	1.14	1.14	1.14	1.20	1.20	1.20	1.20	1.20
	47°F (8.3°C)	TC	19671	19698	19719	19720	19746	20857	20881	20902	20906	20931	22103	22131	22156	22160	22185	23434	23460	23485	23489	23518
		S/T	0.47	0.55	0.63	0.63	0.71	0.50	0.59	0.66	0.66	0.76	0.53	0.62	0.70	0.70	0.80	0.56	0.66	0.75	0.75	0.85
		PI	0.89	0.89	0.89	0.89	0.89	0.95	0.95	0.95	0.95	0.95	1.00	1.00	1.00	1.00	1.01	1.06	1.06	1.06	1.06	1.07
	50°F (10.0°C)	TC	19614	19640	19661	19662	19689	20796	20820	20841	20845	20870	22038	22067	22091	22095	22120	23366	23391	23417	23420	23450
		S/T	0.47	0.55	0.63	0.63	0.72	0.50	0.59	0.67	0.67	0.76	0.53	0.62	0.71	0.71	0.81	0.56	0.66	0.75	0.75	0.86
		PI	0.90	0.90	0.91	0.91	0.91	0.96	0.96	0.96	0.96	0.96	1.01	1.02	1.02	1.02	1.02	1.08	1.08	1.08	1.08	1.08
59°F (15.0°C)	TC	19441	19468	19489	19489	19516	20613	20638	20658	20662	20687	21845	21873	21897	21901	21926	23161	23186	23211	23215	23244	
	S/T	0.48	0.56	0.63	0.63	0.72	0.50	0.59	0.67	0.67	0.77	0.53	0.63	0.71	0.71	0.81	0.57	0.66	0.75	0.75	0.86	
	PI	0.94	0.94	0.94	0.94	0.94	0.99	1.00	1.00	1.00	1.00	1.05	1.05	1.06	1.06	1.06	1.12	1.12	1.12	1.12	1.12	
68°F (20.0°C)	TC	19269	19295	19316	19317	19343	20431	20455	20475	20479	20503	21651	21679	21703	21707	21732	22956	22981	23006	23009	23038	
	S/T	0.49	0.57	0.65	0.65	0.74	0.52	0.61	0.69	0.69	0.79	0.55	0.64	0.73	0.73	0.83	0.58	0.68	0.77	0.77	0.88	
	PI	0.97	0.97	0.97	0.97	0.98	1.03	1.03	1.03	1.03	1.03	1.09	1.09	1.09	1.09	1.10	1.16	1.16	1.16	1.16	1.16	
77°F (25.0°C)	TC	19097	19123	19143	19144	19170	20248	20272	20292	20296	20320	21458	21486	21510	21514	21538	22751	22775	22800	22804	22832	
	S/T	0.49	0.58	0.66	0.66	0.75	0.52	0.61	0.70	0.70	0.80	0.56	0.65	0.74	0.74	0.84	0.59	0.69	0.78	0.78	0.89	
	PI	1.01	1.01	1.01	1.01	1.01	1.07	1.07	1.07	1.07	1.07	1.13	1.13	1.13	1.13	1.13	1.20	1.20	1.20	1.20	1.20	

Manufacturer reserves the right to change, at any time, specifications and designs without notice and without obligations.

Table 20: Cooling Performance - 24K D5CUHA + D5FUA (Sheet 6 of 8)

759	82°F (27.8°C)	TC	19620	19647	19668	19669	19695	20803	20827	20848	20852	20877	22045	22074	22099	22103	22127	23374	23399	23425	23428	23457	
		S/T	0.50	0.59	0.67	0.67	0.76	0.53	0.62	0.71	0.71	0.81	0.56	0.66	0.75	0.75	0.85	0.60	0.70	0.79	0.79	0.91	
		PI	1.20	1.20	1.20	1.20	1.20	1.27	1.27	1.27	1.27	1.28	1.35	1.35	1.35	1.35	1.35	1.43	1.43	1.43	1.43	1.43	
	86°F (30.0°C)	TC	20819	20847	20870	20871	20899	22074	22100	22122	22127	22153	23393	23423	23449	23454	23480	24802	24829	24856	24860	24891	
		S/T	0.51	0.59	0.68	0.68	0.77	0.54	0.63	0.72	0.72	0.82	0.57	0.67	0.76	0.76	0.87	0.60	0.71	0.80	0.80	0.92	
		PI	1.57	1.58	1.58	1.58	1.58	1.67	1.67	1.67	1.67	1.67	1.77	1.77	1.77	1.77	1.77	1.87	1.88	1.88	1.88	1.88	
	95°F (35.0°C)	TC	23518	23550	23575	23576	23608	24935	24965	24989	24994	25024	26425	26459	26489	26494	26523	28017	28048	28078	28082	28117	
		S/T	0.51	0.59	0.68	0.68	0.77	0.54	0.63	0.72	0.72	0.82	0.57	0.67	0.76	0.76	0.87	0.60	0.71	0.80	0.80	0.92	
		PI	2.41	2.42	2.42	2.42	2.42	2.56	2.56	2.57	2.57	2.57	2.71	2.72	2.72	2.72	2.72	2.88	2.88	2.88	2.88	2.89	
	104°F (40.0°C)	TC	22012	22042	22065	22066	22096	23339	23366	23389	23394	23422	24733	24765	24793	24797	24825	26223	26252	26280	26284	26317	
		S/T	0.52	0.61	0.69	0.69	0.79	0.55	0.65	0.73	0.73	0.84	0.58	0.68	0.78	0.78	0.89	0.62	0.73	0.82	0.83	0.94	
		PI	2.41	2.42	2.42	2.42	2.42	2.56	2.56	2.56	2.56	2.57	2.71	2.71	2.72	2.72	2.72	2.87	2.88	2.88	2.88	2.88	
	110°F (43.0°C)	TC	21109	21137	21160	21161	21189	22381	22407	22429	22434	22460	23718	23749	23775	23780	23806	25147	25174	25202	25206	25237	
		S/T	0.54	0.63	0.72	0.72	0.82	0.57	0.67	0.76	0.76	0.87	0.61	0.71	0.81	0.81	0.92	0.64	0.75	0.86	0.86	0.97	
		PI	2.41	2.41	2.42	2.42	2.42	2.56	2.56	2.56	2.56	2.57	2.71	2.71	2.72	2.72	2.72	2.87	2.88	2.88	2.88	2.88	
	115°F (46.0°C)	TC	17974	17998	18018	18018	18043	19057	19080	19099	19102	19125	20196	20222	20244	20248	20271	21413	21436	21459	21463	21489	
		S/T	0.54	0.64	0.73	0.73	0.83	0.58	0.68	0.77	0.77	0.88	0.61	0.72	0.82	0.82	0.93	0.65	0.76	0.87	0.87	0.99	
		PI	2.18	2.18	2.18	2.18	2.18	2.31	2.31	2.31	2.31	2.32	2.45	2.45	2.45	2.45	2.45	2.59	2.60	2.60	2.60	2.60	
	122°F (50.0°C)	TC	13794	13813	13828	13829	13847	14626	14643	14658	14660	14678	15500	15520	15537	15540	15557	16433	16451	16469	16472	16492	
		S/T	0.56	0.65	0.74	0.74	0.85	0.59	0.69	0.79	0.79	0.90	0.63	0.73	0.84	0.84	0.95	0.66	0.78	0.89	0.89	1.00	
		PI	1.86	1.87	1.87	1.87	1.87	1.98	1.98	1.98	1.98	1.98	2.09	2.10	2.10	2.10	2.10	2.22	2.22	2.23	2.23	2.23	
	824	-22°F (-30.0°C)	TC	18268	18293	18312	18313	18338	19369	19392	19411	19415	19438	20526	20553	20576	20580	20603	21763	21787	21810	21814	21841
			S/T	0.48	0.56	0.63	0.63	0.72	0.50	0.59	0.67	0.67	0.77	0.53	0.63	0.71	0.71	0.81	0.57	0.67	0.76	0.76	0.86
			PI	0.70	0.71	0.71	0.71	0.71	0.75	0.75	0.75	0.75	0.75	0.79	0.79	0.79	0.79	0.79	0.84	0.84	0.84	0.84	0.84
-13°F (-25.0°C)		TC	19790	19817	19838	19839	19866	20983	21008	21029	21033	21058	22237	22266	22290	22295	22319	23576	23602	23628	23631	23661	
		S/T	0.48	0.56	0.64	0.64	0.73	0.51	0.60	0.68	0.68	0.77	0.54	0.63	0.72	0.72	0.82	0.57	0.67	0.76	0.76	0.87	
		PI	0.76	0.76	0.77	0.77	0.77	0.81	0.81	0.81	0.81	0.81	0.86	0.86	0.86	0.86	0.86	0.91	0.91	0.91	0.91	0.91	
-4°F (-20.0°C)		TC	21313	21341	21364	21365	21394	22597	22624	22646	22651	22678	23947	23978	24005	24009	24036	25390	25418	25445	25449	25481	
		S/T	0.48	0.57	0.64	0.64	0.73	0.51	0.60	0.68	0.68	0.78	0.54	0.64	0.72	0.72	0.82	0.57	0.67	0.77	0.77	0.87	
		PI	0.82	0.82	0.82	0.82	0.83	0.87	0.87	0.87	0.87	0.87	0.92	0.92	0.93	0.93	0.93	0.98	0.98	0.98	0.98	0.98	
0°F (-17.8°C)		TC	21989	22019	22043	22044	22073	23315	23342	23365	23370	23398	24707	24740	24767	24772	24799	26196	26225	26253	26257	26290	
		S/T	0.48	0.57	0.64	0.64	0.73	0.51	0.60	0.68	0.68	0.78	0.54	0.64	0.72	0.72	0.83	0.58	0.68	0.77	0.77	0.88	
		PI	0.85	0.85	0.85	0.85	0.85	0.90	0.90	0.90	0.90	0.90	0.95	0.95	0.96	0.96	0.96	1.01	1.01	1.01	1.01	1.01	
5°F (-15.0°C)		TC	22835	22866	22890	22891	22922	24211	24240	24264	24269	24297	25658	25691	25720	25724	25753	27204	27233	27263	27267	27301	
		S/T	0.49	0.57	0.65	0.65	0.74	0.51	0.60	0.69	0.69	0.78	0.55	0.64	0.73	0.73	0.83	0.58	0.68	0.77	0.77	0.88	
		PI	0.88	0.88	0.88	0.88	0.88	0.93	0.93	0.94	0.94	0.94	0.99	0.99	0.99	0.99	0.99	1.05	1.05	1.05	1.05	1.05	

Table 20: Cooling Performance - 24K D5CUHA + D5FUA (Sheet 8 of 8)

824	95°F (35.0°C)	TC	24780	24813	24840	24841	24875	26273	26304	26330	26336	26367	27843	27879	27910	27915	27947	29521	29553	29585	29589	29626
		S/T	0.53	0.63	0.71	0.71	0.81	0.57	0.66	0.75	0.75	0.86	0.60	0.70	0.80	0.80	0.91	0.64	0.75	0.85	0.85	0.97
		PI	2.54	2.55	2.55	2.55	2.55	2.70	2.70	2.70	2.70	2.71	2.86	2.86	2.87	2.87	2.87	3.03	3.03	3.04	3.04	3.04
	104°F (40.0°C)	TC	23193	23224	23249	23251	23282	24591	24620	24644	24649	24679	26060	26094	26123	26128	26157	27630	27660	27691	27695	27729
		S/T	0.55	0.64	0.73	0.73	0.83	0.58	0.68	0.77	0.77	0.88	0.62	0.72	0.82	0.82	0.93	0.65	0.76	0.87	0.87	0.99
		PI	2.54	2.55	2.55	2.55	2.55	2.69	2.70	2.70	2.70	2.70	2.86	2.86	2.86	2.86	2.87	3.03	3.03	3.03	3.04	3.04
	110°F (43.0°C)	TC	22241	22271	22295	22296	22326	23582	23610	23633	23638	23666	24991	25023	25051	25056	25084	26496	26525	26554	26558	26591
		S/T	0.57	0.67	0.76	0.76	0.86	0.60	0.71	0.80	0.80	0.91	0.64	0.75	0.85	0.85	0.97	0.68	0.79	0.90	0.90	1.00
		PI	2.54	2.54	2.55	2.55	2.55	2.69	2.70	2.70	2.70	2.70	2.85	2.86	2.86	2.86	2.86	3.03	3.03	3.03	3.03	3.04
	115°F (46.0°C)	TC	18938	18964	18984	18985	19011	20080	20104	20123	20127	20151	21279	21307	21331	21335	21359	22562	22586	22611	22614	22642
		S/T	0.57	0.67	0.77	0.77	0.87	0.61	0.71	0.81	0.81	0.92	0.65	0.76	0.86	0.86	0.98	0.68	0.80	0.91	0.91	1.00
		PI	2.29	2.30	2.30	2.30	2.30	2.43	2.43	2.44	2.44	2.44	2.58	2.58	2.58	2.58	2.59	2.73	2.73	2.74	2.74	2.74
	122°F (50.0°C)	TC	14535	14554	14570	14571	14590	15411	15429	15444	15447	15466	16331	16353	16371	16374	16392	17315	17334	17353	17356	17377
		S/T	0.59	0.69	0.78	0.78	0.89	0.62	0.73	0.83	0.83	0.95	0.66	0.77	0.88	0.88	1.00	0.70	0.82	0.93	0.93	1.00
		PI	1.96	1.97	1.97	1.97	1.97	2.08	2.08	2.09	2.09	2.09	2.21	2.21	2.21	2.21	2.21	2.34	2.34	2.34	2.35	2.35

Heating Performance - 24K D5CUHA + D5FUA

Table 21: Heating Performance - 24K D5CUHA + D5FUA (Sheet 1 of 2)

AIRFLOW (CFM)	HEATING PERFORMANCE AT INDOOR DRY BULB TEMPERATURE										
	OUTDOOR DB °F (°C)	TC: TOTAL HEATING CAPACITY (BTU/HR)					PI: POWER INPUT (KW)				
		INDOOR CONDITIONS DB °F (°C)					INDOOR CONDITIONS DB				
		60.8°F (16.0°C)	68°F (20.0°C)	70°F (21.1°C)	71.6°F (22.0°C)	75.2°F (24.0°C)	60.8°F (16.0°C)	68°F (20.0°C)	70°F (21.1°C)	71.6°F (22.0°C)	75.2°F (24.0°C)
490	-22°F (-30.0°C)	10199	9995	9945	10152	10061	2.38	2.40	2.41	2.41	2.42
	-13°F (-25.0°C)	12680	12426	12364	12136	12027	2.55	2.57	2.57	2.58	2.59
	-4°F (-20.0°C)	15175	14871	14797	14524	14393	2.57	2.59	2.60	2.60	2.61
	0°F (-17.8°C)	17350	17003	16918	16606	16456	2.84	2.86	2.87	2.87	2.89
	5°F (-15.0°C)	20068	19667	19569	19208	19035	3.18	3.20	3.21	3.21	3.23
	14°F (-10.0°C)	21459	21030	20925	20539	20355	3.18	3.21	3.21	3.22	3.23
	17°F (-8.3°C)	21923	21485	21377	20983	20794	3.18	3.21	3.21	3.22	3.23
	22°F (-5.6°C)	21863	21426	21319	20926	20738	2.99	3.02	3.02	3.03	3.04
	27°F (-2.8°C)	21803	21367	21261	20869	20681	2.80	2.82	2.83	2.84	2.85
	32°F (-0.0°C)	21744	21309	21202	20811	20624	2.61	2.63	2.64	2.64	2.65
	35°F (1.7°C)	21708	21274	21167	20777	20590	2.50	2.52	2.52	2.53	2.54
	37°F (2.8°C)	22552	22101	21991	21585	21391	2.52	2.54	2.54	2.55	2.56
	42°F (5.6°C)	24664	24170	24049	23606	23394	2.57	2.59	2.60	2.60	2.61
	44.6°F (7.0°C)	25508	24998	24873	24415	24195	2.59	2.61	2.62	2.62	2.63
	47°F (8.3°C)	26775	26239	26108	25627	25396	2.62	2.64	2.65	2.65	2.66
	52°F (11.1°C)	24859	24362	24240	23793	23579	2.52	2.54	2.54	2.55	2.56
	57°F (13.9°C)	22943	22484	22371	21959	21761	2.41	2.43	2.44	2.44	2.45
	59°F (15.0°C)	22176	21733	21624	21225	21034	2.37	2.39	2.39	2.40	2.41
62°F (16.7°C)	21026	20606	20503	20125	19944	2.31	2.33	2.33	2.34	2.35	
64.4°F (18.0°C)	20260	19855	19755	19391	19217	2.27	2.29	2.29	2.29	2.30	
530	-22°F (-30.0°C)	10959	10740	10686	10775	10678	2.41	2.43	2.43	2.44	2.45
	-13°F (-25.0°C)	13360	13093	13028	12881	12765	2.57	2.59	2.60	2.60	2.61
	-4°F (-20.0°C)	15989	15669	15591	15416	15277	2.60	2.62	2.62	2.63	2.64
	0°F (-17.8°C)	18281	17915	17826	17625	17467	2.87	2.89	2.90	2.90	2.91
	5°F (-15.0°C)	21145	20722	20619	20387	20204	3.21	3.23	3.24	3.25	3.26
	14°F (-10.0°C)	22611	22159	22048	21800	21604	3.21	3.24	3.24	3.25	3.26
	17°F (-8.3°C)	23099	22637	22524	22271	22071	3.21	3.24	3.25	3.25	3.26
	22°F (-5.6°C)	23036	22576	22463	22210	22010	3.02	3.05	3.05	3.06	3.07
	27°F (-2.8°C)	22973	22514	22401	22150	21950	2.83	2.85	2.86	2.86	2.88
	32°F (-0.0°C)	22910	22452	22340	22089	21890	2.64	2.66	2.67	2.67	2.68
	35°F (1.7°C)	22873	22415	22303	22052	21854	2.52	2.54	2.55	2.55	2.56
	37°F (2.8°C)	23762	23287	23171	22910	22704	2.54	2.56	2.57	2.57	2.59
	42°F (5.6°C)	25987	25467	25340	25055	24830	2.60	2.62	2.62	2.63	2.64
	44.6°F (7.0°C)	26877	26339	26208	25913	25680	2.62	2.64	2.64	2.65	2.66
	47°F (8.3°C)	28212	27647	27509	27200	26955	2.65	2.67	2.67	2.68	2.69
	52°F (11.1°C)	26193	25669	25540	25253	25026	2.54	2.56	2.57	2.57	2.58
	57°F (13.9°C)	24174	23690	23572	23307	23097	2.44	2.46	2.46	2.47	2.48
	59°F (15.0°C)	23366	22899	22784	22528	22325	2.39	2.41	2.42	2.42	2.43
62°F (16.7°C)	22155	21712	21603	21360	21168	2.33	2.35	2.36	2.36	2.37	
64.4°F (18.0°C)	21347	20920	20816	20582	20396	2.29	2.31	2.31	2.32	2.33	

Table 21: Heating Performance - 24K D5CUHA + D5FUAA (Sheet 2 of 2)

580	-22°F (-30.0°C)	11776	11540	11483	11437	11334	2.43	2.45	2.46	2.46	2.47
	-13°F (-25.0°C)	14077	13796	13727	13672	13549	2.60	2.62	2.62	2.63	2.64
	-4°F (-20.0°C)	16847	16510	16428	16362	16215	2.62	2.64	2.65	2.65	2.67
	0°F (-17.8°C)	19262	18876	18782	18707	18539	2.90	2.92	2.93	2.93	2.94
	5°F (-15.0°C)	22280	21834	21725	21638	21444	3.24	3.27	3.27	3.28	3.29
	14°F (-10.0°C)	23824	23348	23231	23138	22930	3.24	3.27	3.28	3.28	3.30
	17°F (-8.3°C)	24339	23852	23733	23638	23425	3.25	3.27	3.28	3.28	3.30
	22°F (-5.6°C)	24273	23787	23668	23574	23361	3.05	3.08	3.08	3.09	3.10
	27°F (-2.8°C)	24206	23722	23603	23509	23297	2.86	2.88	2.89	2.89	2.90
	32°F (-0.0°C)	24140	23657	23539	23445	23234	2.67	2.69	2.69	2.70	2.71
	35°F (1.7°C)	24100	23618	23500	23406	23195	2.55	2.57	2.57	2.58	2.59
	37°F (2.8°C)	25038	24537	24414	24316	24098	2.57	2.59	2.60	2.60	2.61
	42°F (5.6°C)	27382	26834	26700	26593	26354	2.62	2.64	2.65	2.65	2.66
	44.6°F (7.0°C)	28319	27753	27614	27504	27256	2.64	2.66	2.67	2.67	2.68
	47°F (8.3°C)	29726	29131	28985	28869	28610	2.67	2.69	2.70	2.71	2.72
	52°F (11.1°C)	27598	27046	26911	26803	26562	2.57	2.59	2.59	2.60	2.61
	57°F (13.9°C)	25471	24961	24837	24737	24515	2.46	2.48	2.49	2.49	2.50
	59°F (15.0°C)	24620	24128	24007	23911	23696	2.42	2.44	2.44	2.45	2.46
	62°F (16.7°C)	23344	22877	22762	22671	22467	2.36	2.37	2.38	2.38	2.39
	64.4°F (18.0°C)	22493	22043	21933	21845	21648	2.31	2.33	2.34	2.34	2.35
620	-22°F (-30.0°C)	12408	12160	12099	12051	11942	2.46	2.48	2.48	2.49	2.50
	-13°F (-25.0°C)	14833	14536	14463	14406	14276	2.62	2.64	2.65	2.66	2.67
	-4°F (-20.0°C)	17751	17396	17309	17240	17085	2.65	2.67	2.68	2.68	2.69
	0°F (-17.8°C)	20295	19889	19790	19711	19533	2.93	2.95	2.96	2.96	2.97
	5°F (-15.0°C)	23476	23006	22891	22800	22594	3.27	3.30	3.31	3.31	3.33
	14°F (-10.0°C)	25103	24601	24478	24380	24160	3.28	3.30	3.31	3.32	3.33
	17°F (-8.3°C)	25645	25132	25007	24907	24682	3.28	3.30	3.31	3.32	3.33
	22°F (-5.6°C)	25575	25064	24938	24839	24615	3.08	3.11	3.11	3.12	3.13
	27°F (-2.8°C)	25505	24995	24870	24771	24548	2.89	2.91	2.92	2.92	2.93
	32°F (-0.0°C)	25435	24926	24802	24703	24480	2.69	2.71	2.72	2.72	2.74
	35°F (1.7°C)	25393	24885	24761	24662	24440	2.57	2.60	2.60	2.61	2.62
	37°F (2.8°C)	26381	25853	25724	25621	25391	2.60	2.62	2.62	2.63	2.64
	42°F (5.6°C)	28851	28274	28133	28020	27768	2.65	2.67	2.67	2.68	2.69
	44.6°F (7.0°C)	29839	29242	29096	28979	28719	2.67	2.69	2.70	2.70	2.71
	47°F (8.3°C)	31321	30694	30541	30419	30145	2.70	2.72	2.73	2.73	2.74
	52°F (11.1°C)	29079	28498	28355	28242	27988	2.59	2.61	2.62	2.62	2.63
	57°F (13.9°C)	26838	26301	26169	26065	25830	2.49	2.51	2.51	2.52	2.53
	59°F (15.0°C)	25941	25422	25295	25194	24967	2.44	2.46	2.47	2.47	2.48
	62°F (16.7°C)	24596	24104	23984	23888	23673	2.38	2.40	2.40	2.41	2.42
	64.4°F (18.0°C)	23700	23226	23109	23017	22810	2.34	2.36	2.36	2.36	2.37

Cooling Performance - 30K D5CUHA + D5FUAA

Table 22: Cooling Performance - 30K D5CUHA + D5FUAA (Sheet 1 of 8)

AIRFLOW (CFM)	OUTDOOR DB °F (°C)	ID WB(°F)	60.8°F (16.0°C)					64.4°F (18.0°C)					67°F (19.4°C)					71.6°F (22.0°C)				
			ID DB(°F)	73.4°F (23.0°C)	77.0°F (25.0°C)	80.0°F (26.7°C)	80.6°F (27.0°C)	84.2°F (29.0°C)	73.4°F (23.0°C)	77.0°F (25.0°C)	80.0°F (26.7°C)	80.6°F (27.0°C)	84.2°F (29.0°C)	73.4°F (23.0°C)	77.0°F (25.0°C)	80.0°F (26.7°C)	80.6°F (27.0°C)	84.2°F (29.0°C)	73.4°F (23.0°C)	77.0°F (25.0°C)	80.0°F (26.7°C)	80.6°F (27.0°C)
712	-22°F (-30.0°C)	TC	21842	21871	21895	21896	21925	23158	23186	23209	23213	23241	24542	24574	24601	24606	24633	26021	26049	26077	26081	26114
		S/T	0.39	0.45	0.51	0.51	0.59	0.41	0.48	0.54	0.54	0.62	0.43	0.51	0.58	0.58	0.66	0.46	0.54	0.61	0.61	0.70
		PI	2.34	2.35	2.35	2.35	2.35	2.49	2.49	2.49	2.49	2.49	2.63	2.64	2.64	2.64	2.64	2.79	2.80	2.80	2.80	2.80
	-13°F (-25.0°C)	TC	23662	23694	23719	23721	23752	25088	25118	25143	25148	25177	26587	26621	26651	26656	26686	28189	28220	28250	28255	28290
		S/T	0.39	0.46	0.52	0.52	0.59	0.41	0.48	0.55	0.55	0.62	0.44	0.51	0.58	0.58	0.66	0.46	0.54	0.62	0.62	0.70
		PI	2.54	2.54	2.55	2.55	2.55	2.69	2.70	2.70	2.70	2.70	2.85	2.86	2.86	2.86	2.86	3.03	3.03	3.03	3.03	3.04
	-4°F (-20.0°C)	TC	25482	25517	25544	25545	25580	27018	27050	27077	27082	27114	28632	28669	28701	28707	28739	30357	30390	30423	30428	30466
		S/T	0.39	0.46	0.52	0.52	0.59	0.41	0.49	0.55	0.55	0.63	0.44	0.51	0.58	0.58	0.67	0.46	0.55	0.62	0.62	0.71
		PI	2.73	2.74	2.74	2.74	2.75	2.90	2.90	2.91	2.91	2.91	3.07	3.08	3.08	3.08	3.08	3.26	3.26	3.27	3.27	3.27
	0°F (-17.8°C)	TC	26291	26327	26355	26356	26392	27876	27909	27936	27942	27975	29541	29579	29612	29618	29651	31321	31355	31389	31394	31433
		S/T	0.39	0.46	0.52	0.52	0.59	0.41	0.49	0.55	0.55	0.63	0.44	0.52	0.59	0.59	0.67	0.47	0.55	0.62	0.62	0.71
		PI	2.82	2.83	2.83	2.83	2.83	2.99	3.00	3.00	3.00	3.00	3.17	3.17	3.18	3.18	3.18	3.36	3.37	3.37	3.37	3.37
	5°F (-15.0°C)	TC	27302	27339	27369	27370	27407	28948	28982	29011	29016	29051	30677	30717	30751	30757	30791	32526	32561	32596	32601	32642
		S/T	0.39	0.46	0.52	0.52	0.60	0.42	0.49	0.56	0.56	0.63	0.44	0.52	0.59	0.59	0.67	0.47	0.55	0.62	0.62	0.71
		PI	2.93	2.93	2.94	2.94	2.94	3.11	3.11	3.11	3.11	3.12	3.29	3.30	3.30	3.30	3.30	3.49	3.49	3.50	3.50	3.50
	14°F (-10.0°C)	TC	32511	32555	32590	32591	32635	34470	34511	34545	34552	34593	36530	36577	36618	36625	36666	38731	38773	38815	38821	38869
		S/T	0.39	0.46	0.53	0.53	0.60	0.42	0.49	0.56	0.56	0.63	0.44	0.52	0.59	0.59	0.67	0.47	0.55	0.63	0.63	0.71
		PI	2.07	2.07	2.08	2.08	2.08	2.20	2.20	2.20	2.20	2.20	2.33	2.33	2.33	2.33	2.34	2.47	2.47	2.47	2.47	2.48
	17°F (-8.3°C)	TC	34247	34293	34330	34332	34378	36311	36354	36390	36397	36440	38481	38531	38573	38581	38624	40799	40843	40888	40894	40945
		S/T	0.40	0.46	0.53	0.53	0.60	0.42	0.49	0.56	0.56	0.64	0.44	0.52	0.59	0.59	0.67	0.47	0.55	0.63	0.63	0.72
		PI	1.79	1.79	1.79	1.79	1.79	1.89	1.90	1.90	1.90	1.90	2.01	2.01	2.01	2.01	2.01	2.13	2.13	2.13	2.13	2.13
	23°F (-5.0°C)	TC	34098	34144	34180	34182	34228	36153	36195	36231	36238	36281	38313	38362	38405	38412	38455	40621	40665	40709	40716	40766
		S/T	0.40	0.47	0.53	0.53	0.60	0.42	0.49	0.56	0.56	0.64	0.45	0.52	0.59	0.59	0.68	0.47	0.55	0.63	0.63	0.72
		PI	1.85	1.85	1.86	1.86	1.86	1.96	1.97	1.97	1.97	1.97	2.08	2.08	2.09	2.09	2.09	2.21	2.21	2.21	2.21	2.21
35°F (1.7°C)	TC	33799	33844	33881	33882	33928	35835	35878	35913	35920	35963	37976	38026	38068	38075	38118	40265	40308	40352	40359	40409	
	S/T	0.40	0.47	0.53	0.53	0.61	0.42	0.50	0.56	0.56	0.64	0.45	0.53	0.60	0.60	0.68	0.48	0.56	0.63	0.63	0.72	
	PI	1.98	1.99	1.99	1.99	1.99	2.10	2.11	2.11	2.11	2.11	2.23	2.23	2.23	2.23	2.24	2.36	2.37	2.37	2.37	2.37	
41°F (5.0°C)	TC	28681	28719	28750	28752	28790	30409	30445	30475	30481	30517	32226	32268	32304	32310	32346	34168	34205	34242	34247	34290	
	S/T	0.40	0.47	0.53	0.53	0.61	0.42	0.50	0.57	0.57	0.64	0.45	0.53	0.60	0.60	0.68	0.48	0.56	0.64	0.64	0.72	
	PI	1.40	1.40	1.40	1.40	1.40	1.48	1.49	1.49	1.49	1.49	1.57	1.57	1.58	1.58	1.58	1.67	1.67	1.67	1.67	1.67	

Manufacturer reserves the right to change, at any time, specifications and designs without notice and without obligations.

Table 22: Cooling Performance - 30K D5CUHA + D5FUA (Sheet 2 of 8)

712	47°F (8.3°C)	TC	23563	23595	23620	23621	23653	24983	25013	25037	25042	25072	26476	26510	26539	26544	26574	28071	28101	28132	28136	28171
		S/T	0.40	0.47	0.53	0.53	0.61	0.43	0.50	0.57	0.57	0.65	0.45	0.53	0.60	0.60	0.69	0.48	0.56	0.64	0.64	0.73
		PI	0.81	0.82	0.82	0.82	0.82	0.86	0.87	0.87	0.87	0.87	0.92	0.92	0.92	0.92	0.92	0.97	0.97	0.97	0.97	0.97
	50°F (10.0°C)	TC	23781	23813	23839	23840	23872	25215	25244	25269	25274	25304	26721	26756	26785	26790	26820	28331	28362	28393	28397	28432
		S/T	0.40	0.47	0.54	0.54	0.61	0.43	0.50	0.57	0.57	0.65	0.45	0.53	0.60	0.60	0.69	0.48	0.56	0.64	0.64	0.73
		PI	0.86	0.86	0.86	0.86	0.86	0.91	0.91	0.91	0.91	0.91	0.96	0.96	0.96	0.96	0.97	1.02	1.02	1.02	1.02	1.02
	59°F (15.0°C)	TC	24437	24469	24496	24497	24530	25909	25940	25966	25971	26001	27457	27493	27523	27529	27559	29111	29143	29175	29179	29216
		S/T	0.41	0.48	0.54	0.54	0.62	0.43	0.50	0.57	0.57	0.65	0.46	0.53	0.61	0.61	0.69	0.48	0.57	0.64	0.64	0.73
		PI	0.98	0.98	0.98	0.98	0.98	1.04	1.04	1.04	1.04	1.04	1.10	1.10	1.10	1.10	1.11	1.17	1.17	1.17	1.17	1.17
	68°F (20.0°C)	TC	25092	25125	25153	25154	25188	26604	26635	26662	26667	26699	28193	28230	28261	28267	28298	29892	29925	29957	29962	29999
		S/T	0.42	0.49	0.55	0.55	0.63	0.44	0.52	0.59	0.59	0.67	0.47	0.55	0.62	0.62	0.71	0.50	0.58	0.66	0.66	0.75
		PI	1.10	1.11	1.11	1.11	1.11	1.17	1.17	1.17	1.17	1.18	1.24	1.24	1.24	1.24	1.25	1.32	1.32	1.32	1.32	1.32
	77°F (25.0°C)	TC	25747	25782	25809	25811	25845	27299	27331	27358	27363	27396	28930	28967	28999	29005	29037	30673	30706	30739	30744	30782
		S/T	0.42	0.49	0.56	0.56	0.64	0.45	0.52	0.60	0.60	0.68	0.47	0.56	0.63	0.63	0.72	0.50	0.59	0.67	0.67	0.76
		PI	1.23	1.23	1.23	1.23	1.23	1.30	1.30	1.31	1.31	1.31	1.38	1.38	1.38	1.38	1.39	1.46	1.47	1.47	1.47	1.47
	82°F (27.8°C)	TC	26209	26245	26273	26274	26310	27789	27822	27849	27855	27888	29449	29487	29520	29526	29559	31224	31258	31292	31296	31335
		S/T	0.43	0.50	0.57	0.57	0.65	0.45	0.53	0.60	0.60	0.69	0.48	0.56	0.64	0.64	0.73	0.51	0.60	0.68	0.68	0.77
		PI	1.44	1.45	1.45	1.45	1.45	1.53	1.53	1.53	1.53	1.54	1.62	1.62	1.63	1.63	1.63	1.72	1.72	1.72	1.72	1.73
	86°F (30.0°C)	TC	26704	26740	26769	26770	26806	28313	28347	28375	28380	28414	30005	30044	30077	30083	30116	31813	31847	31882	31887	31926
		S/T	0.43	0.51	0.58	0.58	0.66	0.46	0.54	0.61	0.61	0.70	0.49	0.57	0.65	0.65	0.74	0.51	0.60	0.69	0.69	0.78
		PI	1.80	1.80	1.80	1.80	1.81	1.91	1.91	1.91	1.91	1.91	2.02	2.02	2.03	2.03	2.03	2.14	2.15	2.15	2.15	2.15
	95°F (35.0°C)	TC	27816	27853	27883	27885	27922	29492	29527	29556	29562	29597	31254	31295	31330	31336	31371	33138	33174	33210	33215	33256
		S/T	0.43	0.51	0.58	0.58	0.66	0.46	0.54	0.61	0.61	0.70	0.49	0.57	0.65	0.65	0.74	0.51	0.60	0.69	0.69	0.78
		PI	2.60	2.60	2.60	2.61	2.61	2.76	2.76	2.76	2.76	2.77	2.92	2.92	2.93	2.93	2.93	3.10	3.10	3.10	3.10	3.11
104°F (40.0°C)	TC	24983	25017	25044	25045	25079	26489	26520	26547	26552	26583	28072	28108	28139	28145	28176	29763	29795	29828	29832	29870	
	S/T	0.44	0.52	0.59	0.59	0.67	0.47	0.55	0.63	0.63	0.71	0.50	0.58	0.66	0.66	0.76	0.53	0.62	0.70	0.70	0.80	
	PI	2.57	2.57	2.58	2.58	2.58	2.73	2.73	2.73	2.73	2.74	2.89	2.89	2.90	2.90	2.90	3.06	3.07	3.07	3.07	3.07	
110°F (43.0°C)	TC	23284	23315	23340	23341	23373	24687	24716	24741	24746	24775	26162	26196	26225	26230	26259	27738	27769	27799	27803	27838	
	S/T	0.46	0.54	0.61	0.61	0.70	0.49	0.57	0.65	0.65	0.74	0.52	0.61	0.69	0.69	0.78	0.55	0.64	0.73	0.73	0.83	
	PI	2.55	2.56	2.56	2.56	2.56	2.71	2.71	2.71	2.71	2.72	2.87	2.87	2.88	2.88	2.88	3.04	3.05	3.05	3.05	3.05	
115°F (46.0°C)	TC	19860	19887	19909	19910	19936	21057	21082	21103	21107	21132	22315	22344	22369	22373	22398	23660	23686	23711	23715	23745	
	S/T	0.46	0.55	0.62	0.62	0.71	0.49	0.58	0.66	0.66	0.75	0.52	0.61	0.70	0.70	0.79	0.55	0.65	0.74	0.74	0.84	
	PI	2.31	2.31	2.31	2.31	2.32	2.45	2.45	2.45	2.45	2.46	2.59	2.60	2.60	2.60	2.60	2.75	2.75	2.76	2.76	2.76	
122°F (50.0°C)	TC	15296	15316	15333	15334	15354	16218	16237	16253	16256	16275	17187	17209	17228	17231	17251	18222	18242	18262	18265	18287	
	S/T	0.48	0.56	0.63	0.63	0.72	0.50	0.59	0.67	0.67	0.77	0.53	0.63	0.71	0.71	0.81	0.57	0.66	0.75	0.75	0.86	
	PI	1.98	1.98	1.98	1.98	1.99	2.10	2.10	2.10	2.10	2.11	2.22	2.23	2.23	2.23	2.23	2.36	2.36	2.36	2.36	2.37	

Manufacturer reserves the right to change, at any time, specifications and designs without notice and without obligations.

Table 22: Cooling Performance - 30K D5CUHA + D5FUA (Sheet 3 of 8)

806	-22°F (-30.0°C)	TC	23438	23469	23495	23496	23527	24850	24880	24904	24909	24939	26335	26369	26399	26404	26433	27922	27952	27983	27987	28022
		S/T	0.41	0.49	0.55	0.55	0.63	0.44	0.51	0.58	0.58	0.67	0.46	0.55	0.62	0.62	0.71	0.49	0.58	0.66	0.66	0.75
		PI	2.52	2.52	2.52	2.52	2.52	2.67	2.67	2.67	2.67	2.68	2.83	2.83	2.83	2.83	2.84	3.00	3.00	3.00	3.00	3.01
	-13°F (-25.0°C)	TC	25391	25425	25453	25454	25488	26921	26953	26980	26985	27017	28530	28567	28599	28604	28636	30249	30282	30315	30319	30357
		S/T	0.42	0.49	0.55	0.56	0.63	0.44	0.52	0.59	0.59	0.67	0.47	0.55	0.62	0.62	0.71	0.50	0.58	0.66	0.66	0.75
		PI	2.73	2.73	2.73	2.73	2.74	2.89	2.89	2.90	2.90	2.90	3.06	3.07	3.07	3.07	3.07	3.25	3.25	3.25	3.25	3.26
	-4°F (-20.0°C)	TC	27344	27381	27411	27412	27449	28992	29027	29055	29061	29095	30724	30764	30798	30804	30839	32575	32611	32646	32651	32692
		S/T	0.42	0.49	0.56	0.56	0.64	0.44	0.52	0.59	0.59	0.67	0.47	0.55	0.63	0.63	0.71	0.50	0.58	0.66	0.66	0.76
		PI	2.93	2.94	2.94	2.94	2.95	3.11	3.12	3.12	3.12	3.12	3.30	3.30	3.31	3.31	3.31	3.50	3.50	3.50	3.50	3.51
	0°F (-17.8°C)	TC	28212	28250	28281	28282	28320	29913	29948	29978	29983	30019	31700	31741	31776	31782	31818	33610	33646	33683	33688	33730
		S/T	0.42	0.49	0.56	0.56	0.64	0.44	0.52	0.59	0.59	0.68	0.47	0.55	0.63	0.63	0.72	0.50	0.59	0.67	0.67	0.76
		PI	3.03	3.03	3.04	3.04	3.04	3.21	3.21	3.22	3.22	3.22	3.40	3.41	3.41	3.41	3.41	3.61	3.61	3.61	3.62	3.62
	5°F (-15.0°C)	TC	29297	29337	29368	29370	29409	31063	31100	31131	31137	31174	32919	32962	32998	33005	33041	34902	34940	34978	34984	35027
		S/T	0.42	0.50	0.56	0.56	0.64	0.45	0.52	0.60	0.60	0.68	0.47	0.56	0.63	0.63	0.72	0.50	0.59	0.67	0.67	0.76
		PI	3.14	3.15	3.15	3.15	3.16	3.33	3.34	3.34	3.34	3.35	3.53	3.54	3.54	3.54	3.55	3.75	3.75	3.75	3.75	3.76
	14°F (-10.0°C)	TC	34887	34934	34971	34973	35020	36989	37033	37069	37077	37121	39199	39250	39294	39301	39345	41561	41606	41651	41658	41710
		S/T	0.42	0.50	0.56	0.56	0.64	0.45	0.53	0.60	0.60	0.68	0.47	0.56	0.63	0.63	0.72	0.50	0.59	0.67	0.67	0.77
		PI	2.22	2.23	2.23	2.23	2.23	2.36	2.36	2.36	2.36	2.37	2.50	2.50	2.50	2.50	2.51	2.65	2.65	2.65	2.65	2.66
	17°F (-8.3°C)	TC	36750	36799	36839	36840	36890	38964	39011	39049	39057	39103	41292	41346	41392	41400	41446	43780	43828	43876	43882	43937
		S/T	0.42	0.50	0.57	0.57	0.64	0.45	0.53	0.60	0.60	0.68	0.48	0.56	0.64	0.64	0.72	0.50	0.59	0.67	0.67	0.77
		PI	1.92	1.92	1.92	1.92	1.92	2.03	2.03	2.04	2.04	2.04	2.15	2.16	2.16	2.16	2.16	2.28	2.29	2.29	2.29	2.29
	23°F (-5.0°C)	TC	36589	36638	36678	36680	36729	38794	38840	38879	38886	38932	41112	41165	41211	41219	41265	43589	43637	43684	43691	43745
		S/T	0.43	0.50	0.57	0.57	0.65	0.45	0.53	0.60	0.60	0.69	0.48	0.56	0.64	0.64	0.73	0.51	0.60	0.68	0.68	0.77
		PI	1.99	1.99	1.99	1.99	1.99	2.11	2.11	2.11	2.11	2.11	2.23	2.24	2.24	2.24	2.24	2.37	2.37	2.37	2.37	2.38
35°F (1.7°C)	TC	36268	36317	36356	36358	36407	38454	38500	38538	38545	38591	40751	40804	40850	40857	40903	43207	43254	43301	43308	43362	
	S/T	0.43	0.50	0.57	0.57	0.65	0.45	0.53	0.61	0.61	0.69	0.48	0.56	0.64	0.64	0.73	0.51	0.60	0.68	0.68	0.78	
	PI	2.13	2.13	2.13	2.13	2.14	2.26	2.26	2.26	2.26	2.27	2.39	2.40	2.40	2.40	2.40	2.54	2.54	2.54	2.54	2.55	
41°F (5.0°C)	TC	30777	30818	30851	30852	30894	32631	32670	32702	32709	32747	34581	34626	34664	34671	34709	36664	36704	36744	36750	36796	
	S/T	0.43	0.50	0.57	0.57	0.65	0.45	0.53	0.61	0.61	0.69	0.48	0.57	0.64	0.64	0.73	0.51	0.60	0.68	0.68	0.78	
	PI	1.50	1.50	1.51	1.51	1.51	1.59	1.59	1.60	1.60	1.60	1.69	1.69	1.69	1.69	1.69	1.79	1.79	1.79	1.79	1.80	
47°F (8.3°C)	TC	25285	25319	25346	25347	25381	26808	26840	26867	26872	26904	28410	28447	28479	28484	28516	30122	30155	30187	30192	30230	
	S/T	0.43	0.51	0.57	0.57	0.65	0.46	0.54	0.61	0.61	0.69	0.48	0.57	0.64	0.64	0.74	0.51	0.60	0.68	0.68	0.78	
	PI	0.87	0.88	0.88	0.88	0.88	0.93	0.93	0.93	0.93	0.93	0.98	0.98	0.98	0.99	0.99	1.04	1.04	1.04	1.04	1.05	
50°F (10.0°C)	TC	25519	25553	25581	25582	25617	27057	27089	27116	27121	27153	28673	28711	28743	28748	28780	30401	30434	30467	30472	30510	
	S/T	0.43	0.51	0.58	0.58	0.66	0.46	0.54	0.61	0.61	0.70	0.49	0.57	0.65	0.65	0.74	0.52	0.60	0.69	0.69	0.78	
	PI	0.92	0.92	0.92	0.92	0.92	0.97	0.98	0.98	0.98	0.98	1.03	1.03	1.04	1.04	1.04	1.09	1.10	1.10	1.10	1.10	

Manufacturer reserves the right to change, at any time, specifications and designs without notice and without obligations.

Table 22: Cooling Performance - 30K D5CUHA + D5FUAU (Sheet 4 of 8)

806	59°F (15.0°C)	TC	26222	26257	26286	26287	26322	27802	27835	27863	27868	27901	29463	29502	29535	29540	29573	31239	31273	31307	31312	31351
		S/T	0.43	0.51	0.58	0.58	0.66	0.46	0.54	0.61	0.61	0.70	0.49	0.57	0.65	0.65	0.74	0.52	0.61	0.69	0.69	0.79
		PI	1.05	1.05	1.05	1.05	1.06	1.12	1.12	1.12	1.12	1.12	1.18	1.18	1.19	1.19	1.19	1.25	1.25	1.26	1.26	1.26
	68°F (20.0°C)	TC	26925	26961	26990	26992	27028	28548	28582	28610	28616	28650	30253	30293	30327	30332	30366	32076	32111	32146	32151	32191
		S/T	0.45	0.52	0.60	0.60	0.68	0.47	0.56	0.63	0.63	0.72	0.50	0.59	0.67	0.67	0.76	0.53	0.62	0.71	0.71	0.81
		PI	1.19	1.19	1.19	1.19	1.19	1.26	1.26	1.26	1.26	1.26	1.33	1.33	1.34	1.34	1.34	1.41	1.41	1.42	1.42	1.42
	77°F (25.0°C)	TC	27628	27665	27695	27697	27734	29293	29328	29357	29363	29398	31043	31084	31118	31124	31159	32914	32950	32986	32991	33032
		S/T	0.45	0.53	0.60	0.60	0.69	0.48	0.56	0.64	0.64	0.73	0.51	0.60	0.68	0.68	0.77	0.54	0.63	0.72	0.72	0.82
		PI	1.32	1.32	1.32	1.32	1.32	1.40	1.40	1.40	1.40	1.40	1.48	1.48	1.49	1.49	1.49	1.57	1.57	1.57	1.57	1.58
	82°F (27.8°C)	TC	28125	28162	28193	28194	28232	29820	29855	29884	29890	29926	31601	31642	31677	31683	31719	33505	33542	33578	33583	33625
		S/T	0.46	0.54	0.61	0.61	0.70	0.49	0.57	0.65	0.65	0.74	0.51	0.60	0.69	0.69	0.78	0.55	0.64	0.73	0.73	0.83
		PI	1.55	1.55	1.55	1.55	1.55	1.64	1.64	1.65	1.65	1.65	1.74	1.74	1.74	1.75	1.75	1.85	1.85	1.85	1.85	1.85
	86°F (30.0°C)	TC	28655	28694	28725	28726	28765	30382	30418	30448	30454	30490	32197	32239	32275	32281	32317	34137	34174	34211	34217	34259
		S/T	0.46	0.54	0.62	0.62	0.70	0.49	0.58	0.66	0.66	0.75	0.52	0.61	0.69	0.69	0.79	0.55	0.65	0.74	0.74	0.84
		PI	1.93	1.93	1.94	1.94	1.94	2.05	2.05	2.05	2.05	2.05	2.17	2.17	2.17	2.17	2.18	2.30	2.30	2.30	2.31	2.31
	95°F (35.0°C)	TC	29849	29889	29921	29922	29963	31647	31685	31716	31722	31760	33538	33582	33619	33625	33663	35559	35598	35636	35642	35686
		S/T	0.46	0.54	0.62	0.62	0.70	0.49	0.58	0.66	0.66	0.75	0.52	0.61	0.69	0.69	0.79	0.55	0.65	0.74	0.74	0.84
		PI	2.79	2.79	2.80	2.80	2.80	2.96	2.96	2.96	2.96	2.97	3.13	3.14	3.14	3.14	3.14	3.32	3.33	3.33	3.33	3.33
	104°F (40.0°C)	TC	26809	26845	26874	26875	26911	28425	28458	28486	28492	28526	30123	30162	30196	30201	30235	31938	31973	32007	32012	32052
		S/T	0.48	0.56	0.63	0.63	0.72	0.50	0.59	0.67	0.67	0.77	0.53	0.63	0.71	0.71	0.81	0.57	0.66	0.75	0.75	0.86
		PI	2.76	2.76	2.77	2.77	2.77	2.92	2.93	2.93	2.93	2.93	3.10	3.10	3.11	3.11	3.11	3.29	3.29	3.29	3.29	3.30
	110°F (43.0°C)	TC	24985	25019	25046	25047	25081	26491	26522	26549	26554	26585	28074	28110	28142	28147	28178	29765	29798	29830	29835	29872
		S/T	0.49	0.58	0.66	0.66	0.75	0.52	0.61	0.70	0.70	0.79	0.55	0.65	0.74	0.74	0.84	0.59	0.69	0.78	0.78	0.89
		PI	2.74	2.74	2.75	2.75	2.75	2.91	2.91	2.91	2.91	2.92	3.08	3.08	3.09	3.09	3.09	3.26	3.27	3.27	3.27	3.28
115°F (46.0°C)	TC	21312	21340	21363	21364	21393	22596	22623	22645	22650	22677	23946	23977	24004	24008	24035	25389	25416	25444	25448	25480	
	S/T	0.50	0.58	0.66	0.66	0.76	0.53	0.62	0.70	0.70	0.80	0.56	0.66	0.75	0.75	0.85	0.59	0.70	0.79	0.79	0.90	
	PI	2.48	2.48	2.48	2.48	2.49	2.63	2.63	2.63	2.63	2.63	2.78	2.79	2.79	2.79	2.79	2.95	2.95	2.96	2.96	2.96	
122°F (50.0°C)	TC	16414	16436	16453	16454	16476	17403	17423	17441	17444	17465	18442	18466	18487	18490	18511	19554	19575	19596	19599	19624	
	S/T	0.51	0.60	0.68	0.68	0.78	0.54	0.63	0.72	0.72	0.82	0.57	0.67	0.76	0.76	0.87	0.61	0.71	0.81	0.81	0.92	
	PI	2.12	2.13	2.13	2.13	2.13	2.25	2.25	2.26	2.26	2.26	2.39	2.39	2.39	2.39	2.40	2.53	2.53	2.54	2.54	2.54	
894	-22°F (-30.0°C)	TC	25151	25184	25212	25213	25247	26666	26698	26724	26730	26761	28259	28296	28328	28333	28365	29962	29995	30027	30032	30069
		S/T	0.44	0.52	0.59	0.59	0.67	0.47	0.55	0.63	0.63	0.71	0.50	0.58	0.66	0.66	0.76	0.53	0.62	0.70	0.70	0.80
		PI	2.70	2.70	2.71	2.71	2.71	2.86	2.87	2.87	2.87	2.87	3.03	3.04	3.04	3.04	3.04	3.22	3.22	3.22	3.22	3.23
	-13°F (-25.0°C)	TC	27246	27283	27312	27314	27351	28888	28923	28951	28957	28991	30614	30654	30688	30694	30728	32459	32494	32530	32535	32575
		S/T	0.45	0.52	0.60	0.60	0.68	0.47	0.56	0.63	0.63	0.72	0.50	0.59	0.67	0.67	0.76	0.53	0.62	0.71	0.71	0.81
		PI	2.92	2.93	2.93	2.93	2.94	3.10	3.10	3.11	3.11	3.11	3.29	3.29	3.29	3.29	3.30	3.48	3.49	3.49	3.49	3.50

Table 22: Cooling Performance - 30K D5CUHA + D5FUA (Sheet 5 of 8)

894	-4°F (-20.0°C)	TC	29342	29382	29413	29415	29454	31111	31148	31178	31184	31221	32969	33012	33049	33055	33092	34956	34994	35032	35037	35081
		S/T	0.45	0.53	0.60	0.60	0.68	0.48	0.56	0.63	0.63	0.72	0.50	0.59	0.67	0.67	0.77	0.53	0.63	0.71	0.71	0.81
		PI	3.15	3.15	3.16	3.16	3.16	3.34	3.34	3.35	3.35	3.35	3.54	3.54	3.55	3.55	3.55	3.75	3.76	3.76	3.76	3.76
	0°F (-17.8°C)	TC	30274	30315	30347	30349	30390	32098	32136	32168	32174	32213	34016	34060	34098	34104	34143	36066	36105	36144	36150	36195
		S/T	0.45	0.53	0.60	0.60	0.68	0.48	0.56	0.64	0.64	0.73	0.51	0.59	0.67	0.67	0.77	0.54	0.63	0.72	0.72	0.82
		PI	3.25	3.25	3.26	3.26	3.26	3.44	3.45	3.45	3.45	3.46	3.65	3.66	3.66	3.66	3.66	3.87	3.87	3.88	3.88	3.88
	5°F (-15.0°C)	TC	31438	31481	31514	31516	31558	33333	33372	33405	33412	33452	35324	35370	35410	35416	35456	37453	37493	37534	37540	37587
		S/T	0.45	0.53	0.60	0.60	0.69	0.48	0.56	0.64	0.64	0.73	0.51	0.60	0.68	0.68	0.77	0.54	0.63	0.72	0.72	0.82
		PI	3.37	3.38	3.38	3.38	3.39	3.58	3.58	3.59	3.59	3.59	3.79	3.80	3.80	3.80	3.81	4.02	4.02	4.03	4.03	4.03
	14°F (-10.0°C)	TC	37436	37486	37527	37528	37579	39692	39739	39778	39786	39833	42063	42118	42165	42173	42220	44598	44646	44695	44702	44757
		S/T	0.45	0.53	0.60	0.60	0.69	0.48	0.56	0.64	0.64	0.73	0.51	0.60	0.68	0.68	0.77	0.54	0.63	0.72	0.72	0.82
		PI	2.39	2.39	2.39	2.39	2.39	2.53	2.53	2.53	2.54	2.54	2.68	2.68	2.69	2.69	2.69	2.84	2.85	2.85	2.85	2.85
	17°F (-8.3°C)	TC	39435	39488	39531	39532	39586	41812	41861	41903	41911	41961	44310	44367	44417	44425	44474	46979	47030	47082	47089	47148
		S/T	0.45	0.53	0.61	0.61	0.69	0.48	0.57	0.64	0.64	0.73	0.51	0.60	0.68	0.68	0.78	0.54	0.64	0.72	0.72	0.82
		PI	2.06	2.06	2.06	2.06	2.06	2.18	2.18	2.18	2.19	2.19	2.31	2.31	2.32	2.32	2.32	2.45	2.45	2.45	2.46	2.46
	23°F (-5.0°C)	TC	39263	39316	39358	39360	39413	41629	41678	41720	41728	41777	44116	44173	44223	44231	44280	46774	46825	46876	46883	46942
		S/T	0.46	0.54	0.61	0.61	0.70	0.48	0.57	0.65	0.65	0.74	0.51	0.60	0.69	0.69	0.78	0.54	0.64	0.73	0.73	0.83
		PI	2.13	2.14	2.14	2.14	2.14	2.26	2.26	2.27	2.27	2.27	2.40	2.40	2.40	2.40	2.40	2.54	2.54	2.55	2.55	2.55
	35°F (1.7°C)	TC	38918	38971	39013	39015	39067	41264	41313	41354	41362	41411	43729	43786	43835	43843	43892	46364	46414	46465	46472	46530
		S/T	0.46	0.54	0.61	0.61	0.70	0.49	0.57	0.65	0.65	0.74	0.52	0.61	0.69	0.69	0.78	0.55	0.64	0.73	0.73	0.83
		PI	2.28	2.29	2.29	2.29	2.29	2.42	2.42	2.43	2.43	2.43	2.57	2.57	2.57	2.57	2.58	2.72	2.72	2.73	2.73	2.73
	41°F (5.0°C)	TC	33025	33070	33105	33107	33152	35016	35057	35092	35099	35140	37108	37156	37197	37204	37246	39343	39386	39429	39435	39484
		S/T	0.46	0.54	0.61	0.61	0.70	0.49	0.57	0.65	0.65	0.74	0.52	0.61	0.69	0.69	0.79	0.55	0.64	0.73	0.73	0.83
		PI	1.61	1.61	1.62	1.62	1.62	1.71	1.71	1.71	1.71	1.71	1.81	1.81	1.81	1.82	1.82	1.92	1.92	1.92	1.92	1.93
47°F (8.3°C)	TC	27132	27169	27198	27199	27236	28767	28801	28830	28836	28870	30486	30526	30560	30565	30599	32323	32358	32393	32398	32439	
	S/T	0.46	0.54	0.62	0.62	0.70	0.49	0.57	0.65	0.65	0.74	0.52	0.61	0.69	0.69	0.79	0.55	0.65	0.73	0.73	0.84	
	PI	0.94	0.94	0.94	0.94	0.94	0.99	1.00	1.00	1.00	1.00	1.05	1.06	1.06	1.06	1.06	1.12	1.12	1.12	1.12	1.12	
50°F (10.0°C)	TC	27384	27421	27450	27451	27488	29034	29068	29097	29103	29137	30769	30809	30843	30849	30883	32623	32658	32694	32699	32739	
	S/T	0.46	0.54	0.62	0.62	0.71	0.49	0.58	0.66	0.66	0.75	0.52	0.61	0.70	0.70	0.79	0.55	0.65	0.74	0.74	0.84	
	PI	0.99	0.99	0.99	0.99	0.99	1.05	1.05	1.05	1.05	1.05	1.11	1.11	1.11	1.11	1.11	1.17	1.18	1.18	1.18	1.18	
59°F (15.0°C)	TC	28138	28176	28206	28208	28246	29834	29869	29899	29905	29940	31616	31657	31693	31699	31734	33521	33558	33594	33600	33641	
	S/T	0.47	0.55	0.62	0.62	0.71	0.49	0.58	0.66	0.66	0.75	0.52	0.62	0.70	0.70	0.80	0.56	0.65	0.74	0.74	0.84	
	PI	1.13	1.13	1.13	1.13	1.13	1.20	1.20	1.20	1.20	1.20	1.27	1.27	1.27	1.27	1.27	1.35	1.35	1.35	1.35	1.35	
68°F (20.0°C)	TC	28893	28932	28963	28964	29003	30634	30670	30700	30707	30743	32464	32506	32542	32549	32585	34420	34458	34495	34500	34543	
	S/T	0.48	0.56	0.64	0.64	0.73	0.51	0.60	0.68	0.68	0.77	0.54	0.63	0.72	0.72	0.82	0.57	0.67	0.76	0.76	0.87	
	PI	1.27	1.27	1.28	1.28	1.28	1.35	1.35	1.35	1.35	1.35	1.43	1.43	1.43	1.43	1.43	1.52	1.52	1.52	1.52	1.52	

Manufacturer reserves the right to change, at any time, specifications and designs without notice and without obligations.

Table 22: Cooling Performance - 30K D5CUHA + D5FUAU (Sheet 6 of 8)

894	77°F (25.0°C)	TC	29647	29687	29719	29720	29760	31434	31471	31502	31508	31546	33312	33355	33392	33398	33436	35319	35357	35396	35401	35445
		S/T	0.49	0.57	0.65	0.65	0.74	0.51	0.60	0.69	0.69	0.78	0.55	0.64	0.73	0.73	0.83	0.58	0.68	0.77	0.77	0.88
		PI	1.42	1.42	1.42	1.42	1.42	1.50	1.50	1.50	1.50	1.51	1.59	1.59	1.59	1.59	1.60	1.69	1.69	1.69	1.69	1.69
	82°F (27.8°C)	TC	30180	30220	30253	30254	30295	31999	32036	32068	32074	32112	33910	33954	33992	33998	34036	35953	35992	36032	36037	36082
		S/T	0.49	0.58	0.66	0.66	0.75	0.52	0.61	0.69	0.69	0.79	0.55	0.65	0.74	0.74	0.84	0.59	0.69	0.78	0.78	0.89
		PI	1.66	1.66	1.67	1.67	1.67	1.76	1.76	1.77	1.77	1.77	1.87	1.87	1.87	1.87	1.87	1.98	1.98	1.98	1.98	1.99
	86°F (30.0°C)	TC	30749	30790	30823	30825	30866	32602	32641	32673	32679	32718	34550	34595	34633	34640	34678	36632	36671	36711	36717	36763
		S/T	0.50	0.58	0.66	0.66	0.76	0.53	0.62	0.70	0.70	0.80	0.56	0.66	0.75	0.75	0.85	0.59	0.70	0.79	0.79	0.90
		PI	2.07	2.07	2.08	2.08	2.08	2.20	2.20	2.20	2.20	2.20	2.33	2.33	2.33	2.33	2.34	2.47	2.47	2.47	2.47	2.48
	95°F (35.0°C)	TC	32030	32073	32107	32109	32152	33960	34000	34034	34040	34081	35989	36036	36076	36082	36123	38157	38199	38240	38246	38294
		S/T	0.50	0.58	0.66	0.66	0.76	0.53	0.62	0.70	0.70	0.80	0.56	0.66	0.75	0.75	0.85	0.59	0.70	0.79	0.79	0.90
		PI	2.99	3.00	3.00	3.00	3.00	3.17	3.18	3.18	3.18	3.18	3.36	3.37	3.37	3.37	3.37	3.56	3.57	3.57	3.57	3.58
	104°F (40.0°C)	TC	28768	28807	28838	28839	28878	30502	30538	30568	30574	30610	32324	32366	32402	32408	32444	34272	34309	34346	34352	34394
		S/T	0.51	0.60	0.68	0.68	0.78	0.54	0.63	0.72	0.72	0.82	0.57	0.67	0.76	0.76	0.87	0.61	0.71	0.81	0.81	0.92
		PI	2.96	2.96	2.97	2.97	2.97	3.14	3.14	3.15	3.15	3.15	3.33	3.33	3.33	3.33	3.34	3.53	3.53	3.53	3.53	3.54
	110°F (43.0°C)	TC	26811	26847	26876	26877	26913	28427	28460	28489	28494	28528	30125	30164	30198	30203	30237	31940	31975	32010	32015	32055
		S/T	0.53	0.62	0.70	0.71	0.80	0.56	0.66	0.75	0.75	0.85	0.59	0.70	0.79	0.79	0.90	0.63	0.74	0.84	0.84	0.96
		PI	2.94	2.94	2.95	2.95	2.95	3.12	3.12	3.12	3.13	3.13	3.30	3.31	3.31	3.31	3.32	3.50	3.51	3.51	3.51	3.52
	115°F (46.0°C)	TC	22869	22900	22924	22925	22956	24247	24276	24300	24305	24334	25696	25729	25758	25763	25791	27244	27274	27303	27308	27342
		S/T	0.53	0.63	0.71	0.71	0.81	0.57	0.67	0.76	0.76	0.86	0.60	0.71	0.80	0.80	0.91	0.64	0.75	0.85	0.85	0.97
		PI	2.66	2.66	2.66	2.66	2.67	2.82	2.82	2.82	2.82	2.83	2.99	2.99	2.99	2.99	3.00	3.17	3.17	3.17	3.17	3.18
	122°F (50.0°C)	TC	17613	17637	17656	17656	17680	18674	18697	18715	18719	18741	19790	19816	19838	19842	19864	20982	21005	21028	21031	21058
		S/T	0.55	0.64	0.73	0.73	0.83	0.58	0.68	0.77	0.77	0.88	0.62	0.72	0.82	0.82	0.93	0.65	0.76	0.87	0.87	0.99
		PI	2.28	2.28	2.28	2.29	2.29	2.42	2.42	2.42	2.42	2.43	2.56	2.56	2.57	2.57	2.57	2.72	2.72	2.72	2.72	2.73
988	-22°F (-30.0°C)	TC	26988	27025	27054	27055	27091	28615	28649	28677	28683	28717	30324	30364	30398	30403	30437	32151	32186	32221	32226	32267
		S/T	0.48	0.56	0.63	0.63	0.72	0.50	0.59	0.67	0.67	0.77	0.53	0.63	0.71	0.71	0.81	0.57	0.67	0.76	0.76	0.86
		PI	2.90	2.90	2.90	2.90	2.91	3.07	3.07	3.08	3.08	3.08	3.25	3.26	3.26	3.26	3.27	3.45	3.45	3.46	3.46	3.46
	-13°F (-25.0°C)	TC	29237	29277	29308	29310	29349	30999	31036	31067	31073	31110	32851	32894	32931	32937	32974	34831	34869	34907	34912	34956
		S/T	0.48	0.56	0.64	0.64	0.73	0.51	0.60	0.68	0.68	0.77	0.54	0.63	0.72	0.72	0.82	0.57	0.67	0.76	0.76	0.87
		PI	3.14	3.14	3.15	3.15	3.15	3.33	3.33	3.33	3.33	3.34	3.53	3.53	3.53	3.53	3.54	3.74	3.74	3.75	3.75	3.75
	-4°F (-20.0°C)	TC	31486	31529	31563	31564	31607	33384	33423	33456	33463	33503	35378	35424	35464	35470	35510	37510	37551	37592	37598	37644
		S/T	0.48	0.57	0.64	0.64	0.73	0.51	0.60	0.68	0.68	0.78	0.54	0.64	0.72	0.72	0.82	0.57	0.67	0.77	0.77	0.87
		PI	3.38	3.38	3.39	3.39	3.39	3.58	3.59	3.59	3.59	3.60	3.80	3.80	3.81	3.81	3.81	4.03	4.03	4.03	4.04	4.04
	0°F (-17.8°C)	TC	32486	32530	32565	32566	32610	34444	34485	34519	34525	34566	36502	36549	36590	36597	36637	38701	38743	38785	38791	38839
		S/T	0.48	0.57	0.64	0.64	0.73	0.51	0.60	0.68	0.68	0.78	0.54	0.64	0.72	0.72	0.83	0.58	0.68	0.77	0.77	0.88
		PI	3.49	3.49	3.49	3.50	3.50	3.70	3.70	3.70	3.71	3.71	3.92	3.92	3.93	3.93	3.93	4.15	4.16	4.16	4.16	4.17

Manufacturer reserves the right to change, at any time, specifications and designs without notice and without obligations.

Table 22: Cooling Performance - 30K D5CUHA + D5FUA (Sheet 7 of 8)

898	5°F (-15.0°C)	TC	33735	33781	33817	33819	33864	35769	35811	35846	35853	35896	37905	37955	37997	38004	38046	40189	40233	40277	40283	40333
		S/T	0.49	0.57	0.65	0.65	0.74	0.51	0.60	0.69	0.69	0.78	0.55	0.64	0.73	0.73	0.83	0.58	0.68	0.77	0.77	0.88
		PI	3.62	3.63	3.63	3.63	3.63	3.84	3.84	3.85	3.85	3.85	4.07	4.07	4.08	4.08	4.08	4.31	4.32	4.32	4.32	4.33
	14°F (-10.0°C)	TC	40171	40225	40269	40271	40325	42592	42643	42685	42693	42744	45137	45196	45246	45254	45305	47857	47909	47961	47968	48028
		S/T	0.49	0.57	0.65	0.65	0.74	0.52	0.61	0.69	0.69	0.78	0.55	0.64	0.73	0.73	0.83	0.58	0.68	0.77	0.77	0.88
		PI	2.56	2.56	2.57	2.57	2.57	2.71	2.72	2.72	2.72	2.72	2.88	2.88	2.88	2.88	2.89	3.05	3.05	3.06	3.06	3.06
	17°F (-8.3°C)	TC	42317	42374	42419	42421	42478	44867	44920	44964	44973	45027	47547	47609	47662	47671	47724	50412	50467	50522	50530	50593
		S/T	0.49	0.57	0.65	0.65	0.74	0.52	0.61	0.69	0.69	0.79	0.55	0.64	0.73	0.73	0.83	0.58	0.68	0.78	0.78	0.88
		PI	2.21	2.21	2.21	2.21	2.21	2.34	2.34	2.34	2.34	2.35	2.48	2.48	2.49	2.49	2.49	2.63	2.63	2.63	2.63	2.64
	23°F (-5.0°C)	TC	42132	42189	42234	42236	42293	44671	44724	44768	44777	44830	47340	47401	47454	47463	47516	50192	50247	50301	50309	50372
		S/T	0.49	0.58	0.65	0.65	0.75	0.52	0.61	0.69	0.69	0.79	0.55	0.65	0.74	0.74	0.84	0.58	0.69	0.78	0.78	0.89
		PI	2.29	2.29	2.29	2.29	2.30	2.43	2.43	2.43	2.43	2.43	2.57	2.57	2.58	2.58	2.58	2.73	2.73	2.73	2.73	2.74
	35°F (1.7°C)	TC	41762	41818	41864	41865	41922	44279	44332	44375	44384	44437	46925	46985	47038	47047	47099	49752	49806	49860	49868	49930
		S/T	0.49	0.58	0.66	0.66	0.75	0.52	0.61	0.70	0.70	0.79	0.55	0.65	0.74	0.74	0.84	0.59	0.69	0.78	0.78	0.89
		PI	2.45	2.45	2.46	2.46	2.46	2.60	2.60	2.60	2.61	2.61	2.75	2.76	2.76	2.76	2.76	2.92	2.92	2.93	2.93	2.93
	41°F (5.0°C)	TC	35439	35486	35524	35526	35574	37574	37619	37656	37663	37708	39819	39871	39915	39923	39967	42218	42264	42310	42317	42369
		S/T	0.49	0.58	0.66	0.66	0.75	0.52	0.61	0.70	0.70	0.80	0.56	0.65	0.74	0.74	0.84	0.59	0.69	0.78	0.78	0.89
		PI	1.73	1.73	1.73	1.73	1.74	1.83	1.84	1.84	1.84	1.84	1.94	1.95	1.95	1.95	1.95	2.06	2.06	2.06	2.06	2.07
	47°F (8.3°C)	TC	29115	29154	29185	29187	29226	30869	30906	30937	30943	30979	32714	32756	32793	32799	32835	34685	34723	34760	34766	34809
		S/T	0.50	0.58	0.66	0.66	0.75	0.53	0.62	0.70	0.70	0.80	0.56	0.65	0.74	0.74	0.85	0.59	0.69	0.79	0.79	0.90
		PI	1.01	1.01	1.01	1.01	1.01	1.07	1.07	1.07	1.07	1.07	1.13	1.13	1.13	1.13	1.14	1.20	1.20	1.20	1.20	1.20
	50°F (10.0°C)	TC	29385	29424	29456	29457	29497	31156	31192	31223	31229	31267	33017	33060	33097	33103	33140	35006	35044	35082	35088	35132
		S/T	0.50	0.58	0.66	0.66	0.76	0.53	0.62	0.70	0.70	0.80	0.56	0.66	0.75	0.75	0.85	0.59	0.70	0.79	0.79	0.90
		PI	1.06	1.06	1.06	1.06	1.06	1.12	1.12	1.12	1.12	1.13	1.19	1.19	1.19	1.19	1.19	1.26	1.26	1.26	1.26	1.27
59°F (15.0°C)	TC	30194	30235	30267	30269	30310	32014	32052	32084	32090	32128	33927	33971	34009	34015	34053	35971	36010	36049	36055	36100	
	S/T	0.50	0.59	0.67	0.67	0.76	0.53	0.62	0.71	0.71	0.81	0.56	0.66	0.75	0.75	0.86	0.60	0.70	0.80	0.80	0.91	
	PI	1.21	1.21	1.21	1.21	1.22	1.28	1.29	1.29	1.29	1.29	1.36	1.36	1.36	1.36	1.37	1.44	1.44	1.45	1.45	1.45	
68°F (20.0°C)	TC	31004	31046	31079	31080	31122	32872	32911	32944	32950	32989	34836	34882	34920	34927	34966	36935	36975	37016	37021	37067	
	S/T	0.51	0.60	0.69	0.69	0.78	0.54	0.64	0.73	0.73	0.83	0.58	0.68	0.77	0.77	0.88	0.61	0.72	0.82	0.82	0.93	
	PI	1.37	1.37	1.37	1.37	1.37	1.45	1.45	1.45	1.45	1.45	1.53	1.54	1.54	1.54	1.54	1.63	1.63	1.63	1.63	1.63	
77°F (25.0°C)	TC	31813	31856	31891	31892	31935	33731	33771	33804	33811	33851	35746	35792	35832	35839	35879	37900	37941	37982	37988	38035	
	S/T	0.52	0.61	0.69	0.69	0.79	0.55	0.65	0.74	0.74	0.84	0.59	0.69	0.78	0.78	0.89	0.62	0.73	0.83	0.83	0.94	
	PI	1.52	1.52	1.52	1.52	1.52	1.61	1.61	1.61	1.61	1.62	1.71	1.71	1.71	1.71	1.71	1.81	1.81	1.81	1.81	1.82	
82°F (27.8°C)	TC	32385	32429	32463	32465	32509	34337	34377	34411	34418	34459	36388	36435	36476	36483	36523	38581	38622	38665	38671	38719	
	S/T	0.53	0.62	0.70	0.70	0.80	0.56	0.66	0.75	0.75	0.85	0.59	0.70	0.79	0.79	0.90	0.63	0.74	0.84	0.84	0.95	
	PI	1.78	1.79	1.79	1.79	1.79	1.89	1.89	1.90	1.90	1.90	2.00	2.01	2.01	2.01	2.01	2.12	2.13	2.13	2.13	2.13	

Manufacturer reserves the right to change, at any time, specifications and designs without notice and without obligations.

Table 22: Cooling Performance - 30K D5CUHA + D5FUAA (Sheet 8 of 8)

898	86°F (30.0°C)	TC	32996	33040	33076	33077	33122	34984	35026	35060	35067	35109	37074	37123	37164	37171	37212	39308	39351	39394	39400	39449
		S/T	0.53	0.63	0.71	0.71	0.81	0.57	0.66	0.75	0.75	0.86	0.60	0.70	0.80	0.80	0.91	0.64	0.75	0.85	0.85	0.97
		PI	2.22	2.23	2.23	2.23	2.23	2.36	2.36	2.36	2.36	2.37	2.50	2.50	2.50	2.50	2.51	2.65	2.65	2.65	2.65	2.66
	95°F (35.0°C)	TC	34370	34416	34453	34455	34501	36441	36485	36521	36528	36571	38619	38669	38712	38719	38762	40945	40990	41035	41041	41092
		S/T	0.53	0.63	0.71	0.71	0.81	0.57	0.66	0.75	0.75	0.86	0.60	0.70	0.80	0.80	0.91	0.64	0.75	0.85	0.85	0.97
		PI	3.21	3.22	3.22	3.22	3.22	3.40	3.41	3.41	3.41	3.42	3.61	3.61	3.62	3.62	3.62	3.83	3.83	3.83	3.83	3.84
	104°F (40.0°C)	TC	30870	30912	30945	30946	30988	32731	32769	32802	32808	32847	34686	34731	34770	34776	34815	36776	36816	36856	36862	36908
		S/T	0.55	0.64	0.73	0.73	0.83	0.58	0.68	0.77	0.77	0.88	0.62	0.72	0.82	0.82	0.93	0.65	0.76	0.87	0.87	0.99
		PI	3.18	3.18	3.18	3.18	3.19	3.37	3.37	3.37	3.38	3.38	3.57	3.57	3.58	3.58	3.58	3.78	3.79	3.79	3.79	3.80
	110°F (43.0°C)	TC	28770	28809	28840	28841	28880	30504	30540	30570	30576	30613	32326	32368	32404	32410	32447	34274	34311	34349	34354	34397
		S/T	0.57	0.67	0.76	0.76	0.86	0.60	0.71	0.80	0.80	0.91	0.64	0.75	0.85	0.85	0.97	0.68	0.79	0.90	0.90	1.00
		PI	3.16	3.16	3.16	3.16	3.17	3.35	3.35	3.35	3.35	3.36	3.55	3.55	3.55	3.55	3.56	3.76	3.76	3.77	3.77	3.77
	115°F (46.0°C)	TC	24540	24573	24600	24601	24634	26019	26050	26075	26081	26112	27573	27609	27640	27645	27676	29235	29267	29298	29303	29339
		S/T	0.57	0.67	0.77	0.77	0.87	0.61	0.71	0.81	0.81	0.92	0.65	0.76	0.86	0.86	0.98	0.68	0.80	0.91	0.91	1.00
		PI	2.85	2.86	2.86	2.86	2.86	3.02	3.03	3.03	3.03	3.03	3.20	3.21	3.21	3.21	3.22	3.40	3.40	3.40	3.40	3.41
	122°F (50.0°C)	TC	18900	18925	18946	18947	18972	20039	20063	20083	20086	20110	21236	21264	21287	21291	21315	22516	22540	22565	22568	22596
		S/T	0.59	0.69	0.78	0.78	0.89	0.62	0.73	0.83	0.83	0.95	0.66	0.77	0.88	0.88	1.00	0.70	0.82	0.93	0.93	1.00
		PI	2.45	2.45	2.45	2.45	2.46	2.59	2.60	2.60	2.60	2.60	2.75	2.75	2.76	2.76	2.76	2.91	2.92	2.92	2.92	2.92

Heating Performance - 30K D5CUHA + D5FUAA

Table 23: Heating Performance - 30K D5CUHA + D5FUAA (Sheet 1 of 2)

AIRFLOW (CFM)	HEATING PERFORMANCE AT INDOOR DRY BULB TEMPERATURE										
	OUTDOOR DB °F (°C)	TC: TOTAL HEATING CAPACITY (BTU/HR)					PI: POWER INPUT (KW)				
		INDOOR CONDITIONS DB °F (°C)					INDOOR CONDITIONS DB				
		60.8°F (16.0°C)	68°F (20.0°C)	70°F (21.1°C)	71.6°F (22.0°C)	75.2°F (24.0°C)	60.8°F (16.0°C)	68°F (20.0°C)	70°F (21.1°C)	71.6°F (22.0°C)	75.2°F (24.0°C)
490	-22°F (-30.0°C)	16014	15694	15615	16052	15907	3.65	3.68	3.69	3.70	3.71
	-13°F (-25.0°C)	19407	19019	18924	18705	18536	4.02	4.05	4.06	4.06	4.08
	-4°F (-20.0°C)	23397	22929	22814	22550	22347	4.23	4.26	4.27	4.28	4.30
	0°F (-17.8°C)	25277	24772	24648	24363	24143	4.40	4.43	4.44	4.45	4.47
	5°F (-15.0°C)	27628	27075	26940	26628	26388	4.60	4.64	4.65	4.66	4.68
	14°F (-10.0°C)	30417	29809	29660	29316	29053	4.50	4.53	4.54	4.55	4.57
	17°F (-8.3°C)	31347	30720	30566	30213	29941	4.46	4.50	4.51	4.51	4.53
	22°F (-5.6°C)	29691	29098	28952	28617	28360	4.05	4.08	4.09	4.10	4.11
	27°F (-2.8°C)	28036	27475	27338	27021	26778	3.63	3.66	3.67	3.68	3.69
	32°F (-0.0°C)	26380	25853	25724	25426	25197	3.22	3.24	3.25	3.26	3.27
	35°F (1.7°C)	25387	24879	24755	24469	24248	2.97	2.99	3.00	3.01	3.02
	37°F (2.8°C)	26477	25947	25818	25519	25289	2.96	2.98	2.99	2.99	3.01
	42°F (5.6°C)	29201	28617	28474	28144	27891	2.93	2.95	2.96	2.96	2.97
	44.6°F (7.0°C)	30290	29684	29536	29194	28931	2.91	2.94	2.94	2.95	2.96
	47°F (8.3°C)	31925	31286	31130	30769	30492	2.90	2.92	2.93	2.93	2.94
	52°F (11.1°C)	28920	28342	28200	27873	27623	2.64	2.66	2.67	2.67	2.68
	57°F (13.9°C)	25915	25397	25270	24978	24753	2.38	2.40	2.41	2.41	2.42
	59°F (15.0°C)	24713	24219	24098	23819	23605	2.28	2.30	2.30	2.31	2.32
62°F (16.7°C)	22911	22452	22340	22082	21883	2.13	2.14	2.15	2.15	2.16	
64.4°F (18.0°C)	21709	21275	21168	20923	20735	2.02	2.04	2.04	2.05	2.06	
530	-22°F (-30.0°C)	17524	17174	17088	17290	17135	3.69	3.72	3.73	3.74	3.75
	-13°F (-25.0°C)	20825	20408	20306	20148	19967	4.06	4.09	4.10	4.11	4.12
	-4°F (-20.0°C)	25107	24604	24481	24291	24072	4.27	4.31	4.32	4.32	4.34
	0°F (-17.8°C)	27124	26582	26449	26243	26007	4.44	4.48	4.48	4.49	4.51
	5°F (-15.0°C)	29647	29054	28908	28683	28425	4.65	4.69	4.70	4.71	4.72
	14°F (-10.0°C)	32640	31987	31827	31579	31295	4.54	4.58	4.59	4.60	4.61
	17°F (-8.3°C)	33637	32965	32800	32544	32251	4.51	4.54	4.55	4.56	4.58
	22°F (-5.6°C)	31861	31224	31068	30826	30548	4.09	4.12	4.13	4.14	4.15
	27°F (-2.8°C)	30085	29483	29335	29107	28845	3.67	3.70	3.71	3.71	3.73
	32°F (-0.0°C)	28308	27742	27603	27388	27142	3.25	3.28	3.28	3.29	3.30
	35°F (1.7°C)	27242	26697	26564	26357	26120	3.00	3.02	3.03	3.04	3.05
	37°F (2.8°C)	28411	27843	27704	27488	27241	2.99	3.01	3.02	3.02	3.04
	42°F (5.6°C)	31334	30708	30554	30316	30043	2.96	2.98	2.99	2.99	3.00
	44.6°F (7.0°C)	32504	31854	31694	31447	31164	2.94	2.97	2.97	2.98	2.99
	47°F (8.3°C)	34257	33572	33404	33144	32846	2.93	2.95	2.95	2.96	2.97
	52°F (11.1°C)	31033	30412	30260	30025	29754	2.67	2.69	2.69	2.70	2.71
	57°F (13.9°C)	27809	27253	27116	26905	26663	2.41	2.43	2.43	2.44	2.45
	59°F (15.0°C)	26519	25989	25859	25657	25426	2.30	2.32	2.33	2.33	2.34
62°F (16.7°C)	24585	24093	23973	23786	23572	2.15	2.16	2.17	2.17	2.18	
64.4°F (18.0°C)	23295	22829	22715	22538	22335	2.04	2.06	2.06	2.07	2.08	

Table 23: Heating Performance - 30K D5CUHA + D5FUA (Sheet 2 of 2)

580	-22°F (-30.0°C)	19177	18794	18700	18625	18457	3.73	3.76	3.77	3.77	3.79
	-13°F (-25.0°C)	22347	21900	21790	21703	21508	4.10	4.13	4.14	4.15	4.16
	-4°F (-20.0°C)	26941	26402	26270	26165	25930	4.32	4.35	4.36	4.37	4.39
	0°F (-17.8°C)	29106	28524	28382	28268	28014	4.48	4.52	4.53	4.54	4.56
	5°F (-15.0°C)	31813	31177	31021	30897	30619	4.70	4.73	4.74	4.75	4.77
	14°F (-10.0°C)	35025	34324	34153	34016	33710	4.59	4.62	4.63	4.64	4.66
	17°F (-8.3°C)	36095	35373	35197	35056	34740	4.55	4.59	4.60	4.61	4.62
	22°F (-5.6°C)	34189	33505	33338	33204	32906	4.13	4.16	4.17	4.18	4.20
	27°F (-2.8°C)	32283	31637	31479	31353	31071	3.71	3.74	3.74	3.75	3.77
	32°F (-0.0°C)	30377	29769	29620	29502	29236	3.28	3.31	3.32	3.32	3.34
	35°F (1.7°C)	29233	28648	28505	28391	28135	3.03	3.05	3.06	3.07	3.08
	37°F (2.8°C)	30488	29878	29728	29609	29343	3.02	3.04	3.05	3.05	3.07
	42°F (5.6°C)	33624	32952	32787	32656	32362	2.99	3.01	3.02	3.02	3.03
	44.6°F (7.0°C)	34879	34181	34010	33874	33569	2.97	3.00	3.00	3.01	3.02
	47°F (8.3°C)	36761	36025	35845	35702	35381	2.95	2.98	2.98	2.99	3.00
	52°F (11.1°C)	33301	32635	32472	32342	32051	2.69	2.71	2.72	2.73	2.74
	57°F (13.9°C)	29841	29244	29098	28982	28721	2.43	2.45	2.46	2.46	2.47
	59°F (15.0°C)	28457	27888	27748	27637	27389	2.33	2.34	2.35	2.35	2.36
	62°F (16.7°C)	26381	25854	25724	25621	25391	2.17	2.19	2.19	2.19	2.20
	64.4°F (18.0°C)	24997	24497	24375	24277	24059	2.06	2.08	2.08	2.09	2.10
620	-22°F (-30.0°C)	20578	20167	20066	19986	19806	3.77	3.80	3.80	3.81	3.83
	-13°F (-25.0°C)	23980	23500	23382	23289	23079	4.14	4.17	4.18	4.19	4.21
	-4°F (-20.0°C)	28910	28332	28190	28077	27824	4.36	4.39	4.40	4.41	4.43
	0°F (-17.8°C)	31233	30609	30456	30334	30061	4.53	4.57	4.58	4.58	4.60
	5°F (-15.0°C)	34137	33455	33287	33154	32856	4.74	4.78	4.79	4.80	4.82
	14°F (-10.0°C)	37584	36832	36648	36502	36173	4.63	4.67	4.68	4.69	4.71
	17°F (-8.3°C)	38733	37958	37768	37617	37279	4.60	4.63	4.64	4.65	4.67
	22°F (-5.6°C)	36687	35954	35774	35631	35310	4.17	4.20	4.21	4.22	4.24
	27°F (-2.8°C)	34642	33949	33779	33644	33341	3.74	3.77	3.78	3.79	3.80
	32°F (-0.0°C)	32596	31944	31785	31658	31373	3.32	3.34	3.35	3.36	3.37
	35°F (1.7°C)	31369	30742	30588	30466	30191	3.06	3.09	3.09	3.10	3.11
	37°F (2.8°C)	32715	32061	31901	31773	31487	3.05	3.07	3.08	3.09	3.10
	42°F (5.6°C)	36081	35359	35183	35042	34726	3.02	3.04	3.05	3.05	3.07
	44.6°F (7.0°C)	37427	36679	36495	36349	36022	3.00	3.03	3.03	3.04	3.05
	47°F (8.3°C)	39447	38658	38464	38311	37966	2.98	3.01	3.01	3.02	3.03
	52°F (11.1°C)	35734	35019	34844	34705	34393	2.72	2.74	2.75	2.75	2.76
	57°F (13.9°C)	32021	31381	31224	31099	30819	2.46	2.48	2.48	2.49	2.49
	59°F (15.0°C)	30536	29926	29776	29657	29390	2.35	2.37	2.37	2.38	2.39
	62°F (16.7°C)	28309	27743	27604	27494	27246	2.19	2.21	2.21	2.22	2.23
	64.4°F (18.0°C)	26824	26287	26156	26051	25817	2.08	2.10	2.11	2.11	2.12

Cooling Performance - 36K D5CUHA + D5FUAA

Table 24: Cooling Performance - 36K D5CUHA + D5FUAA (Sheet 1 of 8)

AIRFLOW (CFM)	OUTDOOR DB °F (°C)	ID WB(°F)	60.8°F (16.0°C)					64.4°F (18.0°C)					67°F (19.4°C)					71.6°F (22.0°C)				
			ID DB(°F)	73.4°F (23.0°C)	77.0°F (25.0°C)	80.0°F (26.7°C)	80.6°F (27.0°C)	84.2°F (29.0°C)	73.4°F (23.0°C)	77.0°F (25.0°C)	80.0°F (26.7°C)	80.6°F (27.0°C)	84.2°F (29.0°C)	73.4°F (23.0°C)	77.0°F (25.0°C)	80.0°F (26.7°C)	80.6°F (27.0°C)	84.2°F (29.0°C)	73.4°F (23.0°C)	77.0°F (25.0°C)	80.0°F (26.7°C)	80.6°F (27.0°C)
712	-22°F (-30.0°C)	TC	23382	23413	23438	23439	23471	24791	24820	24845	24849	24879	26272	26306	26335	26340	26370	27855	27885	27915	27920	27954
		S/T	0.39	0.46	0.53	0.53	0.60	0.42	0.49	0.56	0.56	0.63	0.44	0.52	0.59	0.59	0.67	0.47	0.55	0.63	0.63	0.71
		PI	0.96	0.96	0.96	0.96	0.96	1.02	1.02	1.02	1.02	1.02	1.08	1.08	1.08	1.08	1.08	1.14	1.14	1.15	1.15	1.15
	-13°F (-25.0°C)	TC	25330	25364	25391	25393	25427	26857	26888	26915	26920	26952	28461	28498	28530	28535	28567	30176	30209	30242	30246	30284
		S/T	0.40	0.47	0.53	0.53	0.60	0.42	0.49	0.56	0.56	0.64	0.45	0.52	0.59	0.59	0.68	0.47	0.55	0.63	0.63	0.72
		PI	1.04	1.04	1.04	1.04	1.04	1.10	1.10	1.10	1.10	1.11	1.17	1.17	1.17	1.17	1.17	1.24	1.24	1.24	1.24	1.24
	-4°F (-20.0°C)	TC	27279	27315	27345	27346	27383	28922	28957	28985	28991	29025	30650	30690	30724	30730	30764	32497	32533	32568	32573	32614
		S/T	0.40	0.47	0.53	0.53	0.61	0.42	0.50	0.56	0.56	0.64	0.45	0.53	0.60	0.60	0.68	0.47	0.56	0.63	0.63	0.72
		PI	1.12	1.12	1.12	1.12	1.12	1.19	1.19	1.19	1.19	1.19	1.26	1.26	1.26	1.26	1.26	1.33	1.34	1.34	1.34	1.34
	0°F (-17.8°C)	TC	28145	28182	28213	28214	28252	29841	29876	29905	29911	29947	31623	31665	31700	31706	31741	33529	33565	33602	33607	33649
		S/T	0.40	0.47	0.53	0.53	0.61	0.42	0.50	0.57	0.57	0.64	0.45	0.53	0.60	0.60	0.68	0.48	0.56	0.63	0.64	0.72
		PI	1.15	1.16	1.16	1.16	1.16	1.22	1.23	1.23	1.23	1.23	1.30	1.30	1.30	1.30	1.30	1.38	1.38	1.38	1.38	1.38
	5°F (-15.0°C)	TC	29227	29266	29298	29299	29339	30988	31025	31056	31062	31099	32840	32882	32919	32925	32962	34818	34856	34894	34900	34943
		S/T	0.40	0.47	0.54	0.54	0.61	0.43	0.50	0.57	0.57	0.65	0.45	0.53	0.60	0.60	0.69	0.48	0.56	0.64	0.64	0.73
		PI	1.20	1.20	1.20	1.20	1.20	1.27	1.27	1.27	1.27	1.28	1.35	1.35	1.35	1.35	1.35	1.43	1.43	1.43	1.43	1.43
	14°F (-10.0°C)	TC	32657	32701	32736	32738	32782	34625	34666	34700	34707	34748	36694	36741	36782	36789	36830	38905	38947	38989	38995	39044
		S/T	0.40	0.47	0.54	0.54	0.61	0.43	0.50	0.57	0.57	0.65	0.45	0.53	0.60	0.60	0.69	0.48	0.56	0.64	0.64	0.73
		PI	1.50	1.50	1.51	1.51	1.51	1.59	1.60	1.60	1.60	1.60	1.69	1.69	1.69	1.69	1.69	1.79	1.79	1.79	1.79	1.80
	17°F (-8.3°C)	TC	33800	33846	33882	33884	33929	35837	35880	35915	35922	35965	37978	38028	38070	38077	38120	40267	40310	40354	40361	40411
		S/T	0.40	0.47	0.54	0.54	0.61	0.43	0.50	0.57	0.57	0.65	0.45	0.53	0.61	0.61	0.69	0.48	0.56	0.64	0.64	0.73
		PI	1.60	1.61	1.61	1.61	1.61	1.70	1.70	1.70	1.70	1.71	1.80	1.80	1.81	1.81	1.81	1.91	1.91	1.92	1.92	1.92
	23°F (-5.0°C)	TC	34704	34751	34788	34790	34837	36796	36839	36876	36883	36927	38994	39045	39088	39095	39139	41343	41388	41433	41440	41491
		S/T	0.41	0.48	0.54	0.54	0.62	0.43	0.50	0.57	0.57	0.65	0.46	0.54	0.61	0.61	0.69	0.48	0.57	0.64	0.64	0.73
		PI	1.89	1.90	1.90	1.90	1.90	2.01	2.01	2.01	2.01	2.02	2.13	2.13	2.13	2.13	2.14	2.26	2.26	2.26	2.26	2.27
35°F (1.7°C)	TC	36512	36561	36600	36602	36651	38712	38758	38796	38804	38850	41025	41078	41124	41132	41178	43497	43544	43592	43598	43653	
	S/T	0.41	0.48	0.54	0.54	0.62	0.43	0.51	0.58	0.58	0.66	0.46	0.54	0.61	0.61	0.70	0.49	0.57	0.65	0.65	0.74	
	PI	2.48	2.48	2.48	2.48	2.49	2.63	2.63	2.63	2.63	2.64	2.78	2.79	2.79	2.79	2.79	2.95	2.95	2.96	2.96	2.96	
41°F (5.0°C)	TC	32511	32555	32590	32591	32635	34470	34511	34545	34552	34593	36530	36577	36618	36625	36666	38731	38773	38815	38821	38869	
	S/T	0.41	0.48	0.55	0.55	0.62	0.43	0.51	0.58	0.58	0.66	0.46	0.54	0.61	0.61	0.70	0.49	0.57	0.65	0.65	0.74	
	PI	1.96	1.96	1.96	1.96	1.97	2.08	2.08	2.08	2.08	2.08	2.20	2.20	2.21	2.21	2.21	2.33	2.34	2.34	2.34	2.34	

Manufacturer reserves the right to change, at any time, specifications and designs without notice and without obligations.

Table 24: Cooling Performance - 36K D5CUHA + D5FUAA (Sheet 2 of 8)

712	47°F (8.3°C)	TC	28510	28549	28579	28581	28619	30228	30264	30294	30300	30336	32034	32076	32112	32118	32154	33965	34002	34039	34044	34086
		S/T	0.41	0.48	0.55	0.55	0.62	0.43	0.51	0.58	0.58	0.66	0.46	0.54	0.61	0.61	0.70	0.49	0.57	0.65	0.65	0.74
		PI	1.44	1.44	1.44	1.44	1.45	1.53	1.53	1.53	1.53	1.53	1.62	1.62	1.62	1.62	1.63	1.72	1.72	1.72	1.72	1.72
	50°F (10.0°C)	TC	28640	28678	28709	28710	28749	30366	30402	30432	30438	30474	32180	32222	32258	32264	32300	34119	34156	34193	34198	34241
		S/T	0.41	0.48	0.55	0.55	0.63	0.44	0.51	0.58	0.58	0.66	0.46	0.54	0.62	0.62	0.70	0.49	0.58	0.65	0.65	0.75
		PI	1.52	1.52	1.52	1.52	1.52	1.61	1.61	1.61	1.61	1.61	1.70	1.71	1.71	1.71	1.71	1.81	1.81	1.81	1.81	1.81
	59°F (15.0°C)	TC	29028	29067	29098	29100	29139	30777	30814	30844	30850	30887	32616	32658	32695	32701	32737	34581	34619	34656	34662	34705
		S/T	0.41	0.49	0.55	0.55	0.63	0.44	0.52	0.59	0.59	0.67	0.47	0.55	0.62	0.62	0.71	0.49	0.58	0.66	0.66	0.75
		PI	1.74	1.74	1.74	1.74	1.75	1.84	1.85	1.85	1.85	1.85	1.95	1.96	1.96	1.96	1.96	2.07	2.07	2.08	2.08	2.08
	68°F (20.0°C)	TC	29416	29456	29487	29489	29528	31189	31226	31257	31263	31300	33052	33095	33132	33138	33175	35044	35082	35120	35125	35169
		S/T	0.43	0.50	0.57	0.57	0.65	0.45	0.53	0.60	0.60	0.69	0.48	0.56	0.64	0.64	0.73	0.51	0.59	0.68	0.68	0.77
		PI	1.96	1.97	1.97	1.97	1.97	2.08	2.08	2.09	2.09	2.09	2.21	2.21	2.21	2.21	2.21	2.34	2.34	2.34	2.34	2.35
	77°F (25.0°C)	TC	29804	29844	29876	29878	29918	31600	31638	31669	31675	31713	33488	33532	33569	33575	33613	35506	35545	35583	35589	35633
		S/T	0.43	0.51	0.57	0.57	0.65	0.46	0.54	0.61	0.61	0.69	0.48	0.57	0.65	0.65	0.74	0.51	0.60	0.68	0.68	0.78
		PI	2.19	2.19	2.19	2.19	2.20	2.32	2.32	2.32	2.32	2.33	2.46	2.46	2.46	2.46	2.47	2.61	2.61	2.61	2.61	2.62
	82°F (27.8°C)	TC	30090	30130	30163	30164	30205	31903	31941	31972	31979	32017	33809	33853	33891	33897	33935	35846	35885	35924	35930	35975
		S/T	0.44	0.51	0.58	0.58	0.66	0.46	0.54	0.62	0.62	0.70	0.49	0.58	0.65	0.65	0.75	0.52	0.61	0.69	0.69	0.79
		PI	2.39	2.40	2.40	2.40	2.40	2.54	2.54	2.54	2.54	2.55	2.69	2.69	2.70	2.70	2.70	2.85	2.85	2.86	2.86	2.86
	86°F (30.0°C)	TC	30406	30447	30480	30482	30523	32239	32277	32309	32315	32354	34165	34209	34247	34254	34292	36224	36263	36302	36308	36353
		S/T	0.44	0.52	0.59	0.59	0.67	0.47	0.55	0.62	0.62	0.71	0.50	0.58	0.66	0.66	0.75	0.53	0.62	0.70	0.70	0.80
		PI	2.66	2.66	2.67	2.67	2.67	2.82	2.82	2.83	2.83	2.83	2.99	2.99	3.00	3.00	3.00	3.17	3.17	3.18	3.18	3.18
	95°F (35.0°C)	TC	31119	31161	31194	31196	31238	32994	33033	33066	33073	33112	34966	35011	35050	35057	35096	37072	37113	37153	37159	37205
		S/T	0.44	0.52	0.59	0.59	0.67	0.47	0.55	0.62	0.62	0.71	0.50	0.58	0.66	0.66	0.75	0.53	0.62	0.70	0.70	0.80
		PI	3.26	3.26	3.27	3.27	3.27	3.46	3.46	3.46	3.46	3.47	3.66	3.67	3.67	3.67	3.68	3.88	3.89	3.89	3.89	3.90
104°F (40.0°C)	TC	28652	28691	28722	28723	28762	30379	30415	30445	30451	30487	32194	32236	32272	32278	32314	34134	34171	34208	34213	34256	
	S/T	0.45	0.53	0.60	0.60	0.69	0.48	0.56	0.64	0.64	0.73	0.51	0.60	0.68	0.68	0.77	0.54	0.63	0.72	0.72	0.82	
	PI	3.23	3.24	3.24	3.24	3.24	3.43	3.43	3.43	3.43	3.44	3.63	3.64	3.64	3.64	3.64	3.85	3.85	3.86	3.86	3.86	
110°F (43.0°C)	TC	27172	27209	27238	27239	27276	28810	28844	28872	28878	28912	30531	30571	30605	30610	30644	32370	32406	32441	32446	32486	
	S/T	0.47	0.55	0.63	0.63	0.71	0.50	0.58	0.66	0.66	0.76	0.53	0.62	0.70	0.70	0.80	0.56	0.66	0.75	0.75	0.85	
	PI	3.21	3.22	3.22	3.22	3.23	3.41	3.41	3.42	3.42	3.42	3.61	3.62	3.62	3.62	3.63	3.83	3.83	3.84	3.84	3.84	
115°F (46.0°C)	TC	23383	23415	23440	23441	23472	24792	24822	24846	24851	24881	26273	26308	26337	26342	26371	27857	27887	27917	27921	27956	
	S/T	0.47	0.56	0.63	0.63	0.72	0.50	0.59	0.67	0.67	0.77	0.53	0.63	0.71	0.71	0.81	0.57	0.66	0.75	0.75	0.86	
	PI	2.88	2.89	2.89	2.89	2.89	3.06	3.06	3.06	3.06	3.07	3.24	3.24	3.25	3.25	3.25	3.44	3.44	3.44	3.44	3.45	
122°F (50.0°C)	TC	18331	18356	18376	18376	18401	19436	19459	19478	19482	19505	20597	20624	20647	20651	20674	21838	21862	21886	21889	21916	
	S/T	0.49	0.57	0.65	0.65	0.74	0.52	0.60	0.69	0.69	0.78	0.55	0.64	0.73	0.73	0.83	0.58	0.68	0.77	0.77	0.88	
	PI	2.44	2.45	2.45	2.45	2.45	2.59	2.59	2.59	2.60	2.60	2.74	2.75	2.75	2.75	2.75	2.91	2.91	2.92	2.92	2.92	

Manufacturer reserves the right to change, at any time, specifications and designs without notice and without obligations.

Table 24: Cooling Performance - 36K D5CUHA + D5FUA (Sheet 3 of 8)

806	-22°F (-30.0°C)	TC	24908	24941	24968	24969	25003	26409	26440	26466	26471	26503	27986	28023	28054	28059	28091	29673	29705	29737	29742	29779
		S/T	0.42	0.49	0.56	0.56	0.64	0.44	0.52	0.59	0.59	0.68	0.47	0.55	0.63	0.63	0.72	0.50	0.59	0.67	0.67	0.76
		PI	1.02	1.02	1.02	1.02	1.03	1.08	1.08	1.09	1.09	1.09	1.15	1.15	1.15	1.15	1.15	1.22	1.22	1.22	1.22	1.22
	-13°F (-25.0°C)	TC	26983	27020	27049	27050	27086	28609	28643	28672	28677	28711	30319	30358	30392	30397	30431	32145	32180	32215	32220	32260
		S/T	0.42	0.50	0.56	0.56	0.64	0.45	0.53	0.60	0.60	0.68	0.47	0.56	0.63	0.63	0.72	0.50	0.59	0.67	0.67	0.76
		PI	1.11	1.11	1.11	1.11	1.11	1.17	1.18	1.18	1.18	1.18	1.24	1.25	1.25	1.25	1.25	1.32	1.32	1.32	1.32	1.32
	-4°F (-20.0°C)	TC	29059	29098	29129	29131	29170	30810	30847	30877	30883	30920	32651	32693	32730	32736	32772	34618	34656	34693	34699	34742
		S/T	0.42	0.50	0.57	0.57	0.65	0.45	0.53	0.60	0.60	0.68	0.48	0.56	0.64	0.64	0.73	0.51	0.59	0.67	0.67	0.77
		PI	1.19	1.19	1.20	1.20	1.20	1.26	1.27	1.27	1.27	1.27	1.34	1.34	1.34	1.34	1.34	1.42	1.42	1.42	1.42	1.43
	0°F (-17.8°C)	TC	29981	30022	30054	30055	30096	31788	31826	31857	31864	31901	33687	33731	33769	33775	33813	35717	35756	35795	35800	35845
		S/T	0.43	0.50	0.57	0.57	0.65	0.45	0.53	0.60	0.60	0.69	0.48	0.56	0.64	0.64	0.73	0.51	0.60	0.68	0.68	0.77
		PI	1.23	1.23	1.23	1.23	1.24	1.30	1.31	1.31	1.31	1.31	1.38	1.38	1.39	1.39	1.39	1.47	1.47	1.47	1.47	1.47
	5°F (-15.0°C)	TC	31134	31176	31210	31211	31253	33011	33050	33083	33089	33128	34983	35028	35067	35074	35113	37091	37131	37172	37177	37224
		S/T	0.43	0.50	0.57	0.57	0.65	0.45	0.53	0.61	0.61	0.69	0.48	0.56	0.64	0.64	0.73	0.51	0.60	0.68	0.68	0.77
		PI	1.28	1.28	1.28	1.28	1.28	1.35	1.36	1.36	1.36	1.36	1.44	1.44	1.44	1.44	1.44	1.52	1.52	1.53	1.53	1.53
	14°F (-10.0°C)	TC	34788	34835	34873	34874	34921	36885	36929	36965	36972	37016	39089	39139	39183	39190	39234	41444	41489	41534	41540	41592
		S/T	0.43	0.50	0.57	0.57	0.65	0.45	0.53	0.61	0.61	0.69	0.48	0.57	0.64	0.64	0.73	0.51	0.60	0.68	0.68	0.78
		PI	1.60	1.60	1.60	1.60	1.61	1.70	1.70	1.70	1.70	1.70	1.80	1.80	1.80	1.80	1.81	1.91	1.91	1.91	1.91	1.91
	17°F (-8.3°C)	TC	36006	36055	36094	36095	36144	38176	38221	38259	38267	38312	40457	40510	40555	40562	40608	42895	42941	42988	42995	43048
		S/T	0.43	0.50	0.57	0.57	0.65	0.46	0.54	0.61	0.61	0.69	0.48	0.57	0.64	0.64	0.73	0.51	0.60	0.68	0.68	0.78
		PI	1.71	1.71	1.71	1.71	1.72	1.81	1.81	1.82	1.82	1.82	1.92	1.92	1.92	1.92	1.93	2.04	2.04	2.04	2.04	2.04
	23°F (-5.0°C)	TC	36969	37019	37059	37060	37110	39197	39243	39282	39290	39337	41539	41593	41639	41647	41693	44042	44090	44138	44144	44199
		S/T	0.43	0.51	0.58	0.58	0.66	0.46	0.54	0.61	0.61	0.70	0.49	0.57	0.65	0.65	0.74	0.51	0.60	0.69	0.69	0.78
		PI	2.02	2.02	2.02	2.02	2.03	2.14	2.14	2.14	2.15	2.15	2.27	2.27	2.27	2.27	2.28	2.40	2.41	2.41	2.41	2.41
35°F (1.7°C)	TC	38895	38947	38989	38991	39043	41239	41288	41328	41337	41386	43702	43759	43808	43816	43865	46336	46386	46437	46444	46502	
	S/T	0.43	0.51	0.58	0.58	0.66	0.46	0.54	0.61	0.61	0.70	0.49	0.57	0.65	0.65	0.74	0.52	0.61	0.69	0.69	0.79	
	PI	2.64	2.64	2.64	2.64	2.65	2.80	2.80	2.80	2.80	2.81	2.96	2.97	2.97	2.97	2.98	3.14	3.15	3.15	3.15	3.15	
41°F (5.0°C)	TC	34633	34679	34717	34718	34765	36720	36763	36800	36807	36851	38914	38964	39008	39015	39059	41258	41303	41348	41355	41406	
	S/T	0.44	0.51	0.58	0.58	0.66	0.46	0.54	0.62	0.62	0.70	0.49	0.57	0.65	0.65	0.74	0.52	0.61	0.69	0.69	0.79	
	PI	2.09	2.09	2.09	2.09	2.09	2.21	2.21	2.22	2.22	2.22	2.34	2.35	2.35	2.35	2.35	2.49	2.49	2.49	2.49	2.49	
47°F (8.3°C)	TC	30371	30412	30445	30446	30487	32201	32239	32271	32278	32316	34125	34169	34208	34214	34252	36181	36221	36260	36266	36311	
	S/T	0.44	0.51	0.58	0.58	0.66	0.46	0.54	0.62	0.62	0.70	0.49	0.58	0.65	0.65	0.75	0.52	0.61	0.69	0.69	0.79	
	PI	1.54	1.54	1.54	1.54	1.54	1.63	1.63	1.63	1.63	1.63	1.72	1.73	1.73	1.73	1.73	1.83	1.83	1.83	1.83	1.84	
50°F (10.0°C)	TC	30509	30550	30583	30584	30625	32347	32386	32418	32424	32463	34280	34325	34363	34369	34408	36345	36385	36425	36430	36476	
	S/T	0.44	0.52	0.59	0.59	0.67	0.47	0.55	0.62	0.62	0.71	0.49	0.58	0.66	0.66	0.75	0.52	0.61	0.70	0.70	0.79	
	PI	1.61	1.62	1.62	1.62	1.62	1.71	1.71	1.72	1.72	1.72	1.81	1.82	1.82	1.82	1.82	1.92	1.93	1.93	1.93	1.93	

Manufacturer reserves the right to change, at any time, specifications and designs without notice and without obligations.

Table 24: Cooling Performance - 36K D5CUHA + D5FUA (Sheet 4 of 8)

806	59°F (15.0°C)	TC	30922	30964	30997	30999	31040	32786	32825	32857	32864	32903	34745	34790	34829	34835	34874	36838	36878	36918	36924	36970
		S/T	0.44	0.52	0.59	0.59	0.67	0.47	0.55	0.62	0.62	0.71	0.50	0.58	0.66	0.66	0.75	0.53	0.62	0.70	0.70	0.80
		PI	1.85	1.86	1.86	1.86	1.86	1.96	1.97	1.97	1.97	1.97	2.08	2.08	2.09	2.09	2.09	2.21	2.21	2.21	2.21	2.22
	68°F (20.0°C)	TC	31336	31378	31412	31413	31456	33224	33264	33296	33303	33343	35209	35255	35294	35301	35340	37331	37371	37412	37418	37464
		S/T	0.45	0.53	0.60	0.60	0.69	0.48	0.56	0.64	0.64	0.73	0.51	0.60	0.68	0.68	0.77	0.54	0.63	0.72	0.72	0.82
		PI	2.09	2.09	2.10	2.10	2.10	2.22	2.22	2.22	2.22	2.23	2.35	2.35	2.36	2.36	2.36	2.49	2.49	2.50	2.50	2.50
	77°F (25.0°C)	TC	31749	31792	31826	31828	31871	33663	33703	33736	33743	33783	35674	35720	35760	35767	35807	37823	37864	37906	37912	37959
		S/T	0.46	0.54	0.61	0.61	0.70	0.49	0.57	0.65	0.65	0.74	0.52	0.60	0.69	0.69	0.78	0.55	0.64	0.73	0.73	0.83
		PI	2.33	2.33	2.34	2.34	2.34	2.47	2.47	2.48	2.48	2.48	2.62	2.62	2.62	2.63	2.63	2.78	2.78	2.78	2.78	2.79
	82°F (27.8°C)	TC	32054	32097	32131	32133	32176	33985	34026	34059	34066	34106	36016	36062	36103	36109	36150	38186	38227	38269	38275	38322
		S/T	0.46	0.55	0.62	0.62	0.71	0.49	0.58	0.66	0.66	0.75	0.52	0.61	0.70	0.70	0.79	0.55	0.65	0.74	0.74	0.84
		PI	2.55	2.55	2.56	2.56	2.56	2.70	2.71	2.71	2.71	2.71	2.86	2.87	2.87	2.87	2.87	3.04	3.04	3.04	3.04	3.05
	86°F (30.0°C)	TC	32391	32434	32469	32471	32515	34343	34384	34418	34424	34465	36395	36442	36483	36489	36530	38588	38630	38672	38678	38726
		S/T	0.47	0.55	0.63	0.63	0.72	0.50	0.59	0.67	0.67	0.76	0.53	0.62	0.70	0.71	0.80	0.56	0.66	0.75	0.75	0.85
		PI	2.83	2.84	2.84	2.84	2.84	3.00	3.01	3.01	3.01	3.01	3.18	3.19	3.19	3.19	3.20	3.38	3.38	3.38	3.38	3.39
	95°F (35.0°C)	TC	33150	33195	33230	33232	33277	35148	35189	35224	35231	35273	37248	37296	37338	37344	37386	39492	39535	39578	39584	39633
		S/T	0.47	0.55	0.63	0.63	0.72	0.50	0.59	0.67	0.67	0.76	0.53	0.62	0.70	0.71	0.80	0.56	0.66	0.75	0.75	0.85
		PI	3.47	3.48	3.48	3.48	3.49	3.68	3.69	3.69	3.69	3.69	3.90	3.91	3.91	3.91	3.92	4.14	4.14	4.15	4.15	4.15
	104°F (40.0°C)	TC	30522	30563	30596	30598	30639	32362	32400	32432	32438	32477	34295	34340	34378	34384	34423	36361	36401	36440	36446	36492
		S/T	0.48	0.57	0.64	0.64	0.73	0.51	0.60	0.68	0.68	0.78	0.54	0.64	0.72	0.72	0.82	0.57	0.67	0.77	0.77	0.87
		PI	3.44	3.45	3.45	3.45	3.46	3.65	3.65	3.66	3.66	3.66	3.87	3.87	3.88	3.88	3.88	4.10	4.11	4.11	4.11	4.12
	110°F (43.0°C)	TC	28945	28984	29016	29017	29056	30690	30726	30757	30763	30799	32523	32566	32602	32608	32644	34483	34521	34558	34563	34607
		S/T	0.50	0.59	0.67	0.67	0.76	0.53	0.62	0.71	0.71	0.81	0.56	0.66	0.75	0.75	0.85	0.60	0.70	0.79	0.79	0.91
		PI	3.42	3.43	3.43	3.43	3.44	3.63	3.64	3.64	3.64	3.64	3.85	3.85	3.86	3.86	3.86	4.08	4.08	4.09	4.09	4.09
115°F (46.0°C)	TC	24909	24943	24970	24971	25004	26410	26442	26468	26473	26504	27988	28025	28056	28061	28092	29675	29707	29739	29744	29781	
	S/T	0.51	0.59	0.67	0.67	0.77	0.54	0.63	0.71	0.72	0.82	0.57	0.67	0.76	0.76	0.86	0.60	0.71	0.80	0.80	0.92	
	PI	3.07	3.08	3.08	3.08	3.08	3.26	3.26	3.26	3.26	3.27	3.45	3.46	3.46	3.46	3.46	3.66	3.66	3.67	3.67	3.67	
122°F (50.0°C)	TC	19527	19554	19575	19576	19602	20704	20729	20749	20753	20778	21941	21970	21994	21998	22023	23263	23289	23314	23318	23347	
	S/T	0.52	0.61	0.69	0.69	0.79	0.55	0.64	0.73	0.73	0.83	0.58	0.68	0.78	0.78	0.88	0.62	0.72	0.82	0.82	0.94	
	PI	2.60	2.60	2.61	2.61	2.61	2.76	2.76	2.76	2.76	2.77	2.92	2.93	2.93	2.93	2.93	3.10	3.10	3.11	3.11	3.11	
894	-22°F (-30.0°C)	TC	26533	26569	26597	26599	26635	28132	28165	28193	28199	28232	29813	29852	29885	29890	29924	31609	31644	31678	31683	31722
		S/T	0.45	0.52	0.60	0.60	0.68	0.47	0.56	0.63	0.63	0.72	0.50	0.59	0.67	0.67	0.76	0.53	0.62	0.71	0.71	0.81
		PI	1.09	1.09	1.09	1.09	1.09	1.15	1.16	1.16	1.16	1.16	1.22	1.22	1.23	1.23	1.23	1.30	1.30	1.30	1.30	1.30
	-13°F (-25.0°C)	TC	28744	28783	28814	28815	28854	30477	30513	30543	30549	30585	32297	32339	32375	32381	32417	34243	34281	34318	34323	34366
		S/T	0.45	0.53	0.60	0.60	0.68	0.48	0.56	0.64	0.64	0.72	0.51	0.59	0.67	0.67	0.77	0.54	0.63	0.71	0.71	0.81
		PI	1.18	1.18	1.18	1.18	1.18	1.25	1.25	1.25	1.25	1.26	1.33	1.33	1.33	1.33	1.33	1.41	1.41	1.41	1.41	1.41

Manufacturer reserves the right to change, at any time, specifications and designs without notice and without obligations.

Table 24: Cooling Performance - 36K D5CUHA + D5FUAU (Sheet 5 of 8)

894	-4°F (-20.0°C)	TC	30955	30997	31030	31032	31074	32821	32860	32892	32899	32938	34782	34827	34866	34872	34911	36877	36917	36958	36963	37009
		S/T	0.45	0.53	0.60	0.60	0.69	0.48	0.56	0.64	0.64	0.73	0.51	0.60	0.68	0.68	0.77	0.54	0.63	0.72	0.72	0.82
		PI	1.27	1.27	1.27	1.27	1.28	1.35	1.35	1.35	1.35	1.35	1.43	1.43	1.43	1.43	1.43	1.51	1.51	1.52	1.52	1.52
	0°F (-17.8°C)	TC	31938	31981	32015	32017	32060	33863	33903	33936	33943	33983	35886	35933	35973	35979	36019	38048	38089	38131	38137	38184
		S/T	0.45	0.53	0.60	0.61	0.69	0.48	0.56	0.64	0.64	0.73	0.51	0.60	0.68	0.68	0.77	0.54	0.63	0.72	0.72	0.82
		PI	1.31	1.31	1.31	1.31	1.32	1.39	1.39	1.39	1.39	1.39	1.47	1.47	1.48	1.48	1.48	1.56	1.56	1.56	1.56	1.57
	5°F (-15.0°C)	TC	33166	33211	33247	33248	33293	35165	35207	35242	35249	35290	37266	37315	37356	37363	37405	39512	39554	39598	39604	39653
		S/T	0.46	0.54	0.61	0.61	0.69	0.48	0.57	0.64	0.64	0.73	0.51	0.60	0.68	0.68	0.78	0.54	0.64	0.72	0.72	0.83
		PI	1.36	1.36	1.36	1.36	1.37	1.44	1.44	1.45	1.45	1.45	1.53	1.53	1.53	1.53	1.53	1.62	1.62	1.62	1.63	1.63
	14°F (-10.0°C)	TC	37059	37109	37149	37150	37200	39292	39339	39378	39385	39432	41640	41694	41740	41748	41795	44149	44196	44245	44251	44307
		S/T	0.46	0.54	0.61	0.61	0.69	0.48	0.57	0.65	0.65	0.74	0.51	0.60	0.68	0.68	0.78	0.54	0.64	0.73	0.73	0.83
		PI	1.71	1.71	1.71	1.71	1.71	1.81	1.81	1.81	1.81	1.81	1.92	1.92	1.92	1.92	1.92	2.03	2.03	2.04	2.04	2.04
	17°F (-8.3°C)	TC	38356	38408	38449	38451	38503	40668	40716	40756	40764	40813	43097	43153	43202	43210	43258	45694	45744	45794	45801	45858
		S/T	0.46	0.54	0.61	0.61	0.70	0.49	0.57	0.65	0.65	0.74	0.51	0.60	0.69	0.69	0.78	0.55	0.64	0.73	0.73	0.83
		PI	1.82	1.82	1.82	1.82	1.83	1.93	1.93	1.93	1.93	1.94	2.05	2.05	2.05	2.05	2.05	2.17	2.17	2.17	2.17	2.18
	23°F (-5.0°C)	TC	39382	39435	39477	39479	39532	41755	41805	41846	41854	41904	44250	44307	44357	44365	44414	46916	46967	47018	47025	47084
		S/T	0.46	0.54	0.61	0.61	0.70	0.49	0.57	0.65	0.65	0.74	0.52	0.61	0.69	0.69	0.79	0.55	0.64	0.73	0.73	0.83
		PI	2.15	2.15	2.16	2.16	2.16	2.28	2.28	2.28	2.29	2.29	2.42	2.42	2.42	2.42	2.43	2.56	2.56	2.57	2.57	2.57
	35°F (1.7°C)	TC	41433	41489	41534	41535	41591	43930	43982	44026	44034	44087	46555	46615	46667	46676	46728	49360	49413	49467	49475	49536
		S/T	0.46	0.54	0.62	0.62	0.70	0.49	0.58	0.65	0.65	0.75	0.52	0.61	0.69	0.69	0.79	0.55	0.65	0.74	0.74	0.84
		PI	2.81	2.81	2.82	2.82	2.82	2.98	2.98	2.99	2.99	2.99	3.16	3.16	3.17	3.17	3.17	3.35	3.35	3.36	3.36	3.36
	41°F (5.0°C)	TC	36893	36943	36983	36984	37034	39117	39163	39202	39209	39256	41454	41507	41554	41561	41608	43951	43999	44047	44054	44109
		S/T	0.46	0.54	0.62	0.62	0.71	0.49	0.58	0.66	0.66	0.75	0.52	0.61	0.69	0.69	0.79	0.55	0.65	0.74	0.74	0.84
		PI	2.22	2.23	2.23	2.23	2.23	2.36	2.36	2.36	2.36	2.37	2.50	2.50	2.50	2.50	2.51	2.65	2.65	2.65	2.65	2.66
47°F (8.3°C)	TC	32353	32397	32432	32433	32477	34303	34344	34377	34384	34425	36352	36400	36440	36447	36488	38543	38585	38626	38632	38681	
	S/T	0.47	0.55	0.62	0.62	0.71	0.49	0.58	0.66	0.66	0.75	0.52	0.61	0.70	0.70	0.79	0.55	0.65	0.74	0.74	0.84	
	PI	1.64	1.64	1.64	1.64	1.64	1.73	1.74	1.74	1.74	1.74	1.84	1.84	1.84	1.84	1.84	1.95	1.95	1.95	1.95	1.96	
50°F (10.0°C)	TC	32500	32544	32579	32580	32624	34459	34499	34533	34540	34581	36517	36565	36605	36612	36653	38718	38760	38802	38808	38856	
	S/T	0.47	0.55	0.62	0.62	0.71	0.50	0.58	0.66	0.66	0.75	0.53	0.62	0.70	0.70	0.80	0.56	0.65	0.74	0.74	0.85	
	PI	1.72	1.72	1.72	1.72	1.73	1.82	1.83	1.83	1.83	1.83	1.93	1.94	1.94	1.94	1.94	2.05	2.05	2.05	2.05	2.06	
59°F (15.0°C)	TC	32940	32985	33020	33022	33066	34926	34967	35002	35008	35050	37012	37060	37102	37109	37150	39242	39285	39328	39334	39383	
	S/T	0.47	0.55	0.63	0.63	0.71	0.50	0.58	0.66	0.66	0.76	0.53	0.62	0.70	0.70	0.80	0.56	0.66	0.75	0.75	0.85	
	PI	1.97	1.98	1.98	1.98	1.98	2.09	2.10	2.10	2.10	2.10	2.22	2.22	2.22	2.22	2.23	2.35	2.35	2.36	2.36	2.36	
68°F (20.0°C)	TC	33381	33426	33462	33463	33508	35393	35435	35470	35477	35519	37507	37556	37598	37605	37647	39767	39810	39854	39860	39909	
	S/T	0.48	0.57	0.64	0.64	0.73	0.51	0.60	0.68	0.68	0.78	0.54	0.64	0.72	0.72	0.82	0.57	0.67	0.77	0.77	0.87	
	PI	2.23	2.23	2.23	2.23	2.24	2.36	2.37	2.37	2.37	2.37	2.50	2.51	2.51	2.51	2.51	2.65	2.66	2.66	2.66	2.66	

Manufacturer reserves the right to change, at any time, specifications and designs without notice and without obligations.

Table 24: Cooling Performance - 36K D5CUHA + D5FUAU (Sheet 6 of 8)

894	77°F (25.0°C)	TC	33821	33867	33903	33905	33951	35860	35902	35938	35945	35987	38002	38051	38094	38101	38143	40292	40336	40380	40386	40436
		S/T	0.49	0.57	0.65	0.65	0.74	0.52	0.61	0.69	0.69	0.79	0.55	0.64	0.73	0.73	0.83	0.58	0.68	0.78	0.78	0.88
		PI	2.48	2.49	2.49	2.49	2.49	2.63	2.64	2.64	2.64	2.64	2.79	2.79	2.80	2.80	2.80	2.96	2.96	2.96	2.96	2.97
	82°F (27.8°C)	TC	34146	34191	34228	34230	34276	36203	36246	36282	36289	36332	38366	38416	38459	38466	38509	40678	40722	40766	40773	40824
		S/T	0.50	0.58	0.66	0.66	0.75	0.52	0.62	0.70	0.70	0.80	0.56	0.65	0.74	0.74	0.85	0.59	0.69	0.79	0.79	0.90
		PI	2.72	2.72	2.72	2.72	2.73	2.88	2.88	2.89	2.89	2.89	3.05	3.06	3.06	3.06	3.06	3.23	3.24	3.24	3.24	3.25
	86°F (30.0°C)	TC	34505	34551	34589	34590	34637	36584	36628	36664	36671	36715	38770	38820	38864	38871	38914	41106	41151	41195	41202	41253
		S/T	0.50	0.59	0.67	0.67	0.76	0.53	0.62	0.71	0.71	0.81	0.56	0.66	0.75	0.75	0.86	0.60	0.70	0.80	0.80	0.91
		PI	3.02	3.02	3.03	3.03	3.03	3.20	3.20	3.21	3.21	3.21	3.39	3.40	3.40	3.40	3.40	3.60	3.60	3.60	3.60	3.61
	95°F (35.0°C)	TC	35313	35361	35399	35401	35448	37442	37486	37523	37530	37575	39679	39730	39774	39782	39826	42069	42115	42161	42167	42220
		S/T	0.50	0.59	0.67	0.67	0.76	0.53	0.62	0.71	0.71	0.81	0.56	0.66	0.75	0.75	0.86	0.60	0.70	0.80	0.80	0.91
		PI	3.70	3.70	3.71	3.71	3.71	3.92	3.93	3.93	3.93	3.94	4.16	4.16	4.17	4.17	4.17	4.41	4.41	4.42	4.42	4.42
	104°F (40.0°C)	TC	32514	32558	32593	32594	32638	34474	34514	34549	34555	34596	36533	36581	36621	36628	36669	38734	38777	38819	38825	38873
		S/T	0.51	0.60	0.69	0.69	0.78	0.54	0.64	0.73	0.73	0.83	0.58	0.68	0.77	0.77	0.88	0.61	0.72	0.82	0.82	0.93
		PI	3.67	3.67	3.68	3.68	3.68	3.89	3.89	3.90	3.90	3.90	4.12	4.13	4.13	4.13	4.14	4.37	4.37	4.38	4.38	4.38
	110°F (43.0°C)	TC	30835	30876	30909	30911	30952	32693	32732	32764	32770	32809	34646	34691	34730	34736	34775	36734	36773	36813	36819	36865
		S/T	0.53	0.62	0.71	0.71	0.81	0.56	0.66	0.75	0.75	0.86	0.60	0.70	0.80	0.80	0.91	0.63	0.74	0.85	0.85	0.96
		PI	3.65	3.65	3.66	3.66	3.66	3.87	3.87	3.88	3.88	3.88	4.10	4.10	4.11	4.11	4.11	4.35	4.35	4.36	4.36	4.36
	115°F (46.0°C)	TC	26535	26571	26599	26600	26636	28134	28167	28195	28201	28234	29815	29854	29887	29892	29926	31611	31646	31680	31685	31724
		S/T	0.54	0.63	0.72	0.72	0.82	0.57	0.67	0.76	0.76	0.87	0.61	0.71	0.81	0.81	0.92	0.64	0.75	0.86	0.86	0.98
		PI	3.27	3.28	3.28	3.28	3.28	3.47	3.47	3.48	3.48	3.48	3.68	3.68	3.69	3.69	3.69	3.90	3.90	3.91	3.91	3.91
	122°F (50.0°C)	TC	20802	20830	20852	20853	20881	22056	22082	22103	22108	22134	23373	23404	23430	23434	23460	24781	24808	24835	24839	24870
		S/T	0.55	0.65	0.74	0.74	0.84	0.58	0.69	0.78	0.78	0.89	0.62	0.73	0.83	0.83	0.94	0.66	0.77	0.88	0.88	1.00
		PI	2.77	2.77	2.78	2.78	2.78	2.94	2.94	2.94	2.95	2.95	3.11	3.12	3.12	3.12	3.13	3.30	3.30	3.31	3.31	3.31
988	-22°F (-30.0°C)	TC	28265	28303	28333	28335	28373	29968	30004	30033	30039	30075	31759	31800	31835	31841	31877	33672	33709	33745	33751	33793
		S/T	0.48	0.56	0.63	0.63	0.72	0.50	0.59	0.67	0.67	0.77	0.53	0.63	0.71	0.71	0.81	0.57	0.67	0.76	0.76	0.86
		PI	1.16	1.16	1.16	1.16	1.16	1.23	1.23	1.23	1.23	1.23	1.30	1.30	1.31	1.31	1.31	1.38	1.38	1.38	1.38	1.39
	-13°F (-25.0°C)	TC	30620	30661	30694	30696	30737	32466	32504	32536	32543	32581	34405	34450	34488	34495	34533	36478	36518	36558	36563	36609
		S/T	0.48	0.56	0.64	0.64	0.73	0.51	0.60	0.68	0.68	0.77	0.54	0.63	0.72	0.72	0.82	0.57	0.67	0.76	0.76	0.87
		PI	1.26	1.26	1.26	1.26	1.26	1.33	1.33	1.34	1.34	1.34	1.41	1.41	1.42	1.42	1.42	1.50	1.50	1.50	1.50	1.50
	-4°F (-20.0°C)	TC	32976	33020	33056	33057	33102	34963	35004	35039	35046	35087	37052	37100	37141	37148	37190	39284	39327	39370	39376	39425
		S/T	0.48	0.57	0.64	0.64	0.73	0.51	0.60	0.68	0.68	0.78	0.54	0.64	0.72	0.72	0.82	0.57	0.67	0.77	0.77	0.87
		PI	1.35	1.36	1.36	1.36	1.36	1.43	1.44	1.44	1.44	1.44	1.52	1.52	1.52	1.52	1.53	1.61	1.61	1.62	1.62	1.62
	0°F (-17.8°C)	TC	34022	34068	34105	34106	34152	36073	36116	36151	36158	36201	38228	38278	38320	38327	38370	40531	40575	40620	40626	40676
		S/T	0.48	0.57	0.64	0.64	0.73	0.51	0.60	0.68	0.68	0.78	0.54	0.64	0.72	0.72	0.83	0.58	0.68	0.77	0.77	0.88
		PI	1.40	1.40	1.40	1.40	1.40	1.48	1.48	1.48	1.48	1.49	1.57	1.57	1.57	1.57	1.57	1.66	1.67	1.67	1.67	1.67

Manufacturer reserves the right to change, at any time, specifications and designs without notice and without obligations.

Table 24: Cooling Performance - 36K D5CUHA + D5FUAU (Sheet 7 of 8)

898	5°F (-15.0°C)	TC	35331	35379	35417	35418	35466	37460	37505	37542	37549	37594	39698	39750	39794	39802	39846	42090	42136	42182	42188	42241
		S/T	0.49	0.57	0.65	0.65	0.74	0.51	0.60	0.69	0.69	0.78	0.55	0.64	0.73	0.73	0.83	0.58	0.68	0.77	0.77	0.88
		PI	1.45	1.45	1.45	1.45	1.46	1.54	1.54	1.54	1.54	1.54	1.63	1.63	1.63	1.63	1.64	1.73	1.73	1.73	1.73	1.73
	14°F (-10.0°C)	TC	39477	39531	39573	39575	39628	41857	41906	41947	41956	42006	44357	44415	44464	44473	44522	47030	47081	47132	47140	47198
		S/T	0.49	0.57	0.65	0.65	0.74	0.52	0.61	0.69	0.69	0.78	0.55	0.64	0.73	0.73	0.83	0.58	0.68	0.77	0.77	0.88
		PI	1.82	1.82	1.82	1.82	1.82	1.93	1.93	1.93	1.93	1.93	2.04	2.04	2.05	2.05	2.05	2.16	2.17	2.17	2.17	2.17
	17°F (-8.3°C)	TC	40860	40915	40959	40960	41016	43322	43373	43416	43425	43476	45910	45970	46021	46030	46081	48676	48729	48782	48790	48851
		S/T	0.49	0.57	0.65	0.65	0.74	0.52	0.61	0.69	0.69	0.79	0.55	0.64	0.73	0.73	0.83	0.58	0.68	0.78	0.78	0.88
		PI	1.94	1.94	1.94	1.94	1.95	2.06	2.06	2.06	2.06	2.06	2.18	2.18	2.18	2.18	2.19	2.31	2.31	2.32	2.32	2.32
	23°F (-5.0°C)	TC	41952	42009	42054	42056	42112	44480	44533	44577	44586	44639	47138	47199	47252	47260	47313	49978	50032	50087	50095	50157
		S/T	0.49	0.58	0.65	0.65	0.75	0.52	0.61	0.69	0.69	0.79	0.55	0.65	0.74	0.74	0.84	0.58	0.69	0.78	0.78	0.89
		PI	2.29	2.29	2.30	2.30	2.30	2.43	2.43	2.43	2.43	2.44	2.57	2.58	2.58	2.58	2.58	2.73	2.73	2.73	2.74	2.74
	35°F (1.7°C)	TC	44137	44197	44244	44246	44306	46797	46853	46899	46908	46964	49593	49657	49713	49722	49778	52581	52638	52696	52704	52769
		S/T	0.49	0.58	0.66	0.66	0.75	0.52	0.61	0.70	0.70	0.79	0.55	0.65	0.74	0.74	0.84	0.59	0.69	0.78	0.78	0.89
		PI	2.99	3.00	3.00	3.00	3.01	3.17	3.18	3.18	3.18	3.19	3.36	3.37	3.37	3.37	3.38	3.57	3.57	3.57	3.57	3.58
	41°F (5.0°C)	TC	39301	39354	39396	39398	39451	41669	41719	41760	41768	41818	44159	44216	44266	44274	44323	46820	46871	46922	46929	46987
		S/T	0.49	0.58	0.66	0.66	0.75	0.52	0.61	0.70	0.70	0.80	0.56	0.65	0.74	0.74	0.84	0.59	0.69	0.78	0.78	0.89
		PI	2.37	2.37	2.37	2.37	2.38	2.51	2.51	2.52	2.52	2.52	2.66	2.66	2.67	2.67	2.67	2.82	2.82	2.83	2.83	2.83
	47°F (8.3°C)	TC	34465	34511	34548	34550	34596	36542	36585	36621	36628	36672	38725	38775	38818	38826	38869	41058	41103	41147	41154	41205
		S/T	0.50	0.58	0.66	0.66	0.75	0.53	0.62	0.70	0.70	0.80	0.56	0.65	0.74	0.74	0.85	0.59	0.69	0.79	0.79	0.90
		PI	1.74	1.74	1.75	1.75	1.75	1.85	1.85	1.85	1.85	1.85	1.96	1.96	1.96	1.96	1.96	2.08	2.08	2.08	2.08	2.08
	50°F (10.0°C)	TC	34621	34668	34705	34707	34753	36707	36751	36787	36795	36838	38901	38951	38994	39002	39045	41244	41289	41334	41341	41392
		S/T	0.50	0.58	0.66	0.66	0.76	0.53	0.62	0.70	0.70	0.80	0.56	0.66	0.75	0.75	0.85	0.59	0.70	0.79	0.79	0.90
		PI	1.83	1.83	1.84	1.84	1.84	1.94	1.94	1.95	1.95	1.95	2.06	2.06	2.06	2.06	2.07	2.18	2.19	2.19	2.19	2.19
59°F (15.0°C)	TC	35090	35137	35175	35177	35224	37205	37249	37286	37293	37337	39428	39479	39523	39530	39574	41803	41849	41894	41901	41953	
	S/T	0.50	0.59	0.67	0.67	0.76	0.53	0.62	0.71	0.71	0.81	0.56	0.66	0.75	0.75	0.86	0.60	0.70	0.80	0.80	0.91	
	PI	2.10	2.11	2.11	2.11	2.11	2.23	2.23	2.23	2.23	2.24	2.36	2.37	2.37	2.37	2.37	2.51	2.51	2.51	2.51	2.51	
68°F (20.0°C)	TC	35560	35607	35646	35647	35695	37703	37747	37784	37792	37837	39955	40007	40052	40059	40104	42362	42408	42455	42461	42514	
	S/T	0.51	0.60	0.69	0.69	0.78	0.54	0.64	0.73	0.73	0.83	0.58	0.68	0.77	0.77	0.88	0.61	0.72	0.82	0.82	0.93	
	PI	2.37	2.38	2.38	2.38	2.38	2.52	2.52	2.52	2.52	2.53	2.67	2.67	2.67	2.67	2.68	2.83	2.83	2.83	2.83	2.84	
77°F (25.0°C)	TC	36029	36077	36116	36118	36166	38200	38245	38283	38291	38336	40482	40535	40580	40588	40633	42921	42968	43015	43022	43075	
	S/T	0.52	0.61	0.69	0.69	0.79	0.55	0.65	0.74	0.74	0.84	0.59	0.69	0.78	0.78	0.89	0.62	0.73	0.83	0.83	0.94	
	PI	2.64	2.65	2.65	2.65	2.65	2.80	2.81	2.81	2.81	2.81	2.97	2.98	2.98	2.98	2.98	3.15	3.15	3.16	3.16	3.16	
82°F (27.8°C)	TC	36374	36423	36462	36464	36513	38566	38612	38650	38658	38703	40870	40923	40969	40976	41022	43333	43380	43427	43434	43488	
	S/T	0.53	0.62	0.70	0.70	0.80	0.56	0.66	0.75	0.75	0.85	0.59	0.70	0.79	0.79	0.90	0.63	0.74	0.84	0.84	0.95	
	PI	2.89	2.90	2.90	2.90	2.90	3.07	3.07	3.07	3.07	3.08	3.25	3.25	3.26	3.26	3.26	3.45	3.45	3.45	3.45	3.46	

Manufacturer reserves the right to change, at any time, specifications and designs without notice and without obligations.

Table 24: Cooling Performance - 36K D5CUHA + D5FUA (Sheet 8 of 8)

898	86°F (30.0°C)	TC	36757	36806	36846	36848	36897	38972	39018	39057	39064	39111	41300	41354	41400	41408	41454	43789	43836	43884	43891	43946
		S/T	0.53	0.63	0.71	0.71	0.81	0.57	0.66	0.75	0.75	0.86	0.60	0.70	0.80	0.80	0.91	0.64	0.75	0.85	0.85	0.97
		PI	3.22	3.22	3.22	3.22	3.23	3.41	3.41	3.42	3.42	3.42	3.61	3.62	3.62	3.62	3.63	3.83	3.83	3.84	3.84	3.84
	95°F (35.0°C)	TC	37618	37669	37709	37711	37762	39885	39932	39972	39980	40027	42268	42323	42370	42378	42425	44815	44864	44912	44919	44975
		S/T	0.53	0.63	0.71	0.71	0.81	0.57	0.66	0.75	0.75	0.86	0.60	0.70	0.80	0.80	0.91	0.64	0.75	0.85	0.85	0.97
		PI	3.94	3.95	3.95	3.95	3.96	4.18	4.18	4.19	4.19	4.19	4.43	4.43	4.44	4.44	4.44	4.69	4.70	4.70	4.71	4.71
	104°F (40.0°C)	TC	34636	34683	34720	34722	34768	36724	36767	36803	36811	36854	38918	38968	39012	39019	39062	41262	41307	41352	41359	41410
		S/T	0.55	0.64	0.73	0.73	0.83	0.58	0.68	0.77	0.77	0.88	0.62	0.72	0.82	0.82	0.93	0.65	0.76	0.87	0.87	0.99
		PI	3.91	3.91	3.92	3.92	3.92	4.14	4.15	4.15	4.15	4.16	4.39	4.39	4.40	4.40	4.41	4.65	4.66	4.66	4.66	4.67
	110°F (43.0°C)	TC	32847	32891	32927	32928	32972	34827	34868	34902	34909	34951	36907	36955	36996	37003	37044	39131	39173	39216	39222	39271
		S/T	0.57	0.67	0.76	0.76	0.86	0.60	0.71	0.80	0.80	0.91	0.64	0.75	0.85	0.85	0.97	0.68	0.79	0.90	0.90	1.00
		PI	3.89	3.89	3.90	3.90	3.90	4.12	4.13	4.13	4.13	4.13	4.37	4.37	4.38	4.38	4.38	4.63	4.63	4.64	4.64	4.65
	115°F (46.0°C)	TC	28267	28305	28335	28336	28375	29970	30006	30035	30041	30077	31761	31802	31837	31843	31879	33674	33711	33748	33753	33795
		S/T	0.57	0.67	0.77	0.77	0.87	0.61	0.71	0.81	0.81	0.92	0.65	0.76	0.86	0.86	0.98	0.68	0.80	0.91	0.91	1.00
		PI	3.49	3.49	3.49	3.49	3.50	3.70	3.70	3.70	3.70	3.71	3.92	3.92	3.93	3.93	3.93	4.15	4.16	4.16	4.16	4.17
	122°F (50.0°C)	TC	22160	22189	22213	22214	22244	23495	23523	23546	23551	23579	24899	24931	24959	24963	24991	26399	26428	26456	26460	26493
		S/T	0.59	0.69	0.78	0.78	0.89	0.62	0.73	0.83	0.83	0.95	0.66	0.77	0.88	0.88	1.00	0.70	0.82	0.93	0.93	1.00
		PI	2.95	2.96	2.96	2.96	2.96	3.13	3.13	3.14	3.14	3.14	3.32	3.32	3.33	3.33	3.33	3.52	3.52	3.52	3.53	3.53

Heating Performance - 36K D5CUHA + D5FUAA

Table 25: Heating Performance - 36K D5CUHA + D5FUAA (Sheet 1 of 2)

AIRFLOW (CFM)	HEATING PERFORMANCE AT INDOOR DRY BULB TEMPERATURE										
	OUTDOOR DB °F (°C)	TC: TOTAL HEATING CAPACITY (BTU/HR)					PI: POWER INPUT (KW)				
		INDOOR CONDITIONS DB °F (°C)					INDOOR CONDITIONS DB				
		60.8°F (16.0°C)	68°F (20.0°C)	70°F (21.1°C)	71.6°F (22.0°C)	75.2°F (24.0°C)	60.8°F (16.0°C)	68°F (20.0°C)	70°F (21.1°C)	71.6°F (22.0°C)	75.2°F (24.0°C)
490	-22°F (-30.0°C)	22795	22339	22227	22360	22158	4.94	4.98	4.99	5.00	5.02
	-13°F (-25.0°C)	26211	25686	25558	24721	24499	5.24	5.28	5.29	5.30	5.32
	-4°F (-20.0°C)	30254	29649	29501	28535	28278	5.47	5.51	5.52	5.53	5.55
	0°F (-17.8°C)	32470	31820	31661	30625	30349	5.59	5.64	5.65	5.66	5.68
	5°F (-15.0°C)	35239	34534	34361	33236	32937	5.75	5.79	5.81	5.82	5.84
	14°F (-10.0°C)	35343	34636	34463	33335	33035	5.39	5.43	5.44	5.45	5.47
	17°F (-8.3°C)	35378	34670	34497	33368	33067	5.26	5.31	5.32	5.33	5.35
	22°F (-5.6°C)	37148	36405	36223	35037	34722	5.13	5.17	5.18	5.19	5.21
	27°F (-2.8°C)	38919	38140	37950	36707	36377	5.00	5.04	5.05	5.06	5.08
	32°F (-0.0°C)	40689	39876	39676	38377	38032	4.87	4.91	4.92	4.93	4.95
	35°F (1.7°C)	41752	40917	40712	39379	39025	4.79	4.83	4.83	4.84	4.86
	37°F (2.8°C)	41604	40772	40568	39240	38887	4.69	4.73	4.74	4.74	4.76
	42°F (5.6°C)	41235	40410	40208	38892	38542	4.44	4.48	4.49	4.50	4.51
	44.6°F (7.0°C)	41087	40266	40064	38753	38404	4.34	4.38	4.39	4.40	4.41
	47°F (8.3°C)	40866	40049	39848	38544	38197	4.19	4.23	4.24	4.25	4.26
	52°F (11.1°C)	40028	39228	39031	37754	37414	3.78	3.81	3.82	3.82	3.84
	57°F (13.9°C)	39190	38407	38215	36964	36631	3.36	3.39	3.40	3.40	3.42
59°F (15.0°C)	38855	38078	37888	36647	36318	3.20	3.22	3.23	3.24	3.25	
62°F (16.7°C)	38353	37586	37398	36173	35848	2.95	2.97	2.98	2.98	2.99	
64.4°F (18.0°C)	38018	37257	37071	35857	35535	2.78	2.80	2.81	2.81	2.83	
530	-22°F (-30.0°C)	24764	24268	24147	24170	23953	4.99	5.03	5.04	5.05	5.07
	-13°F (-25.0°C)	27921	27363	27226	26723	26482	5.29	5.33	5.35	5.36	5.38
	-4°F (-20.0°C)	32229	31584	31426	30846	30568	5.52	5.57	5.58	5.59	5.61
	0°F (-17.8°C)	34589	33897	33727	33104	32806	5.65	5.69	5.70	5.72	5.74
	5°F (-15.0°C)	37539	36788	36604	35928	35604	5.81	5.85	5.86	5.88	5.90
	14°F (-10.0°C)	37650	36897	36712	36034	35710	5.44	5.48	5.49	5.51	5.53
	17°F (-8.3°C)	37687	36933	36748	36069	35745	5.32	5.36	5.37	5.38	5.40
	22°F (-5.6°C)	39573	38781	38587	37875	37534	5.18	5.23	5.24	5.25	5.27
	27°F (-2.8°C)	41459	40630	40426	39680	39323	5.05	5.09	5.10	5.11	5.13
	32°F (-0.0°C)	43345	42478	42266	41485	41111	4.92	4.96	4.97	4.97	4.99
	35°F (1.7°C)	44477	43587	43369	42568	42185	4.83	4.87	4.88	4.89	4.91
	37°F (2.8°C)	44319	43433	43216	42417	42036	4.74	4.77	4.78	4.79	4.81
	42°F (5.6°C)	43926	43048	42832	42041	41663	4.49	4.52	4.53	4.54	4.56
	44.6°F (7.0°C)	43769	42893	42679	41891	41514	4.39	4.42	4.43	4.44	4.46
	47°F (8.3°C)	43533	42662	42449	41665	41290	4.24	4.27	4.28	4.29	4.31
	52°F (11.1°C)	42641	41788	41579	40811	40443	3.82	3.85	3.86	3.86	3.88
	57°F (13.9°C)	41748	40913	40709	39957	39597	3.40	3.42	3.43	3.44	3.45
59°F (15.0°C)	41391	40563	40361	39615	39258	3.23	3.26	3.26	3.27	3.28	
62°F (16.7°C)	40856	40039	39838	39102	38751	2.98	3.00	3.01	3.01	3.03	
64.4°F (18.0°C)	40499	39689	39490	38761	38412	2.81	2.83	2.84	2.84	2.85	

Table 25: Heating Performance - 36K D5CUHA + D5FUAA (Sheet 2 of 2)

580	-22°F (-30.0°C)	26902	26364	26232	26127	25892	5.04	5.08	5.09	5.10	5.12
	-13°F (-25.0°C)	29743	29149	29003	28887	28627	5.35	5.39	5.40	5.41	5.43
	-4°F (-20.0°C)	34332	33646	33477	33343	33043	5.58	5.62	5.63	5.64	5.67
	0°F (-17.8°C)	36846	36109	35929	35785	35463	5.70	5.75	5.76	5.77	5.80
	5°F (-15.0°C)	39989	39189	38993	38837	38487	5.86	5.91	5.92	5.94	5.96
	14°F (-10.0°C)	40107	39305	39108	38952	38601	5.49	5.54	5.55	5.56	5.58
	17°F (-8.3°C)	40146	39343	39147	38990	38639	5.37	5.41	5.43	5.44	5.46
	22°F (-5.6°C)	42155	41312	41106	40941	40573	5.24	5.28	5.29	5.30	5.32
	27°F (-2.8°C)	44165	43281	43065	42893	42507	5.10	5.14	5.15	5.16	5.18
	32°F (-0.0°C)	46174	45250	45024	44844	44440	4.97	5.01	5.02	5.03	5.05
	35°F (1.7°C)	47379	46432	46200	46015	45601	4.88	4.92	4.93	4.94	4.96
	37°F (2.8°C)	47212	46267	46036	45852	45439	4.78	4.82	4.83	4.84	4.86
	42°F (5.6°C)	46793	45857	45628	45445	45036	4.53	4.57	4.58	4.59	4.61
	44.6°F (7.0°C)	46625	45693	45464	45283	44875	4.43	4.47	4.48	4.48	4.50
	47°F (8.3°C)	46374	45447	45219	45039	44633	4.28	4.31	4.32	4.33	4.35
	52°F (11.1°C)	45423	44515	44292	44115	43718	3.86	3.89	3.89	3.90	3.92
	57°F (13.9°C)	44473	43583	43365	43192	42803	3.43	3.46	3.47	3.47	3.49
	59°F (15.0°C)	44093	43211	42995	42823	42437	3.26	3.29	3.29	3.30	3.31
	62°F (16.7°C)	43522	42652	42438	42269	41888	3.01	3.03	3.04	3.04	3.06
	64.4°F (18.0°C)	43142	42279	42068	41899	41522	2.84	2.86	2.87	2.87	2.88
620	-22°F (-30.0°C)	28658	28085	27944	27833	27582	5.09	5.13	5.14	5.15	5.17
	-13°F (-25.0°C)	31685	31051	30896	30772	30495	5.40	5.44	5.45	5.46	5.49
	-4°F (-20.0°C)	36573	35841	35662	35520	35200	5.63	5.68	5.69	5.70	5.72
	0°F (-17.8°C)	39251	38466	38274	38120	37777	5.76	5.81	5.82	5.83	5.86
	5°F (-15.0°C)	42598	41746	41538	41372	40999	5.92	5.97	5.98	6.00	6.02
	14°F (-10.0°C)	42724	41870	41661	41494	41120	5.55	5.59	5.61	5.62	5.64
	17°F (-8.3°C)	42766	41911	41701	41535	41161	5.43	5.47	5.48	5.49	5.51
	22°F (-5.6°C)	44907	44009	43788	43613	43221	5.29	5.33	5.34	5.35	5.37
	27°F (-2.8°C)	47047	46106	45875	45692	45281	5.15	5.19	5.20	5.21	5.24
	32°F (-0.0°C)	49187	48204	47962	47771	47341	5.02	5.06	5.07	5.08	5.10
	35°F (1.7°C)	50471	49462	49215	49018	48577	4.93	4.97	4.98	4.99	5.01
	37°F (2.8°C)	50293	49287	49041	48845	48405	4.83	4.87	4.88	4.89	4.91
	42°F (5.6°C)	49847	48850	48606	48411	47976	4.58	4.61	4.62	4.63	4.65
	44.6°F (7.0°C)	49668	48675	48432	48238	47804	4.48	4.51	4.52	4.53	4.55
	47°F (8.3°C)	49401	48413	48171	47978	47546	4.32	4.36	4.37	4.38	4.39
	52°F (11.1°C)	48388	47420	47183	46994	46571	3.89	3.93	3.93	3.94	3.96
	57°F (13.9°C)	47375	46428	46196	46011	45597	3.47	3.49	3.50	3.51	3.52
	59°F (15.0°C)	46970	46031	45801	45617	45207	3.29	3.32	3.33	3.33	3.35
	62°F (16.7°C)	46363	45435	45208	45027	44622	3.04	3.06	3.07	3.07	3.09
	64.4°F (18.0°C)	45958	45038	44813	44634	44232	2.87	2.89	2.90	2.90	2.91

Cooling Performance - 48K D5CUHA + D5FUAA

Table 26: Cooling Performance - 48K D5CUHA + D5FUAA (Sheet 1 of 8)

AIRFLOW (CFM)	OUTDOOR DB °F (°C)	ID WB(°F)	60.8°F (16.0°C)					64.4°F (18.0°C)					67°F (19.4°C)					71.6°F (22.0°C)				
			ID DB(°F)	73.4°F (23.0°C)	77.0°F (25.0°C)	80.0°F (26.7°C)	80.6°F (27.0°C)	84.2°F (29.0°C)	73.4°F (23.0°C)	77.0°F (25.0°C)	80.0°F (26.7°C)	80.6°F (27.0°C)	84.2°F (29.0°C)	73.4°F (23.0°C)	77.0°F (25.0°C)	80.0°F (26.7°C)	80.6°F (27.0°C)	84.2°F (29.0°C)	73.4°F (23.0°C)	77.0°F (25.0°C)	80.0°F (26.7°C)	80.6°F (27.0°C)
712	-22°F (-30.0°C)	TC	31040	31082	31115	31117	31159	32911	32950	32982	32989	33028	34877	34922	34961	34968	35007	36978	37019	37059	37065	37111
		S/T	0.40	0.47	0.54	0.54	0.61	0.43	0.50	0.57	0.57	0.65	0.45	0.53	0.61	0.61	0.69	0.48	0.56	0.64	0.64	0.73
		PI	1.36	1.36	1.36	1.36	1.36	1.44	1.44	1.44	1.44	1.44	1.52	1.53	1.53	1.53	1.53	1.62	1.62	1.62	1.62	1.62
	-13°F (-25.0°C)	TC	33627	33672	33708	33710	33755	35653	35695	35731	35738	35780	37783	37832	37875	37882	37924	40060	40103	40147	40153	40203
		S/T	0.41	0.48	0.54	0.54	0.62	0.43	0.51	0.57	0.57	0.66	0.46	0.54	0.61	0.61	0.69	0.48	0.57	0.65	0.65	0.74
		PI	1.47	1.47	1.47	1.47	1.47	1.56	1.56	1.56	1.56	1.56	1.65	1.65	1.65	1.65	1.66	1.75	1.75	1.75	1.75	1.76
	-4°F (-20.0°C)	TC	36213	36262	36301	36303	36352	38396	38441	38479	38487	38533	40690	40743	40788	40796	40841	43141	43188	43235	43242	43296
		S/T	0.41	0.48	0.55	0.55	0.62	0.43	0.51	0.58	0.58	0.66	0.46	0.54	0.61	0.61	0.70	0.49	0.57	0.65	0.65	0.74
		PI	1.58	1.58	1.59	1.59	1.59	1.68	1.68	1.68	1.68	1.68	1.78	1.78	1.78	1.78	1.78	1.88	1.89	1.89	1.89	1.89
	0°F (-17.8°C)	TC	37363	37413	37454	37455	37506	39615	39662	39701	39709	39756	41981	42036	42083	42091	42138	44511	44559	44608	44615	44670
		S/T	0.41	0.48	0.55	0.55	0.62	0.43	0.51	0.58	0.58	0.66	0.46	0.54	0.61	0.61	0.70	0.49	0.57	0.65	0.65	0.74
		PI	1.63	1.63	1.64	1.64	1.64	1.73	1.73	1.73	1.73	1.74	1.83	1.84	1.84	1.84	1.84	1.94	1.95	1.95	1.95	1.95
	5°F (-15.0°C)	TC	38800	38852	38894	38896	38948	41138	41187	41228	41236	41285	43596	43653	43701	43710	43758	46223	46273	46324	46331	46388
		S/T	0.41	0.48	0.55	0.55	0.63	0.44	0.51	0.58	0.58	0.66	0.46	0.54	0.62	0.62	0.70	0.49	0.58	0.65	0.65	0.75
		PI	1.69	1.70	1.70	1.70	1.70	1.80	1.80	1.80	1.80	1.80	1.90	1.91	1.91	1.91	1.91	2.02	2.02	2.02	2.02	2.03
	14°F (-10.0°C)	TC	40223	40277	40320	40322	40376	42647	42697	42739	42748	42799	45195	45253	45304	45312	45363	47918	47970	48022	48029	48089
		S/T	0.41	0.48	0.55	0.55	0.63	0.44	0.51	0.58	0.58	0.67	0.46	0.54	0.62	0.62	0.71	0.49	0.58	0.66	0.66	0.75
		PI	1.63	1.63	1.63	1.63	1.64	1.73	1.73	1.73	1.73	1.73	1.83	1.83	1.84	1.84	1.84	1.94	1.94	1.95	1.95	1.95
	17°F (-8.3°C)	TC	40697	40752	40796	40797	40852	43150	43201	43243	43252	43303	45727	45787	45838	45846	45898	48483	48535	48588	48596	48656
		S/T	0.41	0.49	0.55	0.55	0.63	0.44	0.52	0.59	0.59	0.67	0.47	0.55	0.62	0.62	0.71	0.49	0.58	0.66	0.66	0.75
		PI	1.61	1.61	1.61	1.61	1.61	1.71	1.71	1.71	1.71	1.71	1.81	1.81	1.81	1.81	1.81	1.92	1.92	1.92	1.92	1.92
	23°F (-5.0°C)	TC	42257	42314	42359	42361	42418	44804	44857	44901	44910	44963	47480	47542	47595	47604	47657	50341	50396	50451	50459	50521
		S/T	0.42	0.49	0.56	0.56	0.63	0.44	0.52	0.59	0.59	0.67	0.47	0.55	0.62	0.62	0.71	0.50	0.58	0.66	0.66	0.75
		PI	2.25	2.25	2.25	2.25	2.25	2.38	2.38	2.39	2.39	2.39	2.52	2.53	2.53	2.53	2.53	2.68	2.68	2.68	2.68	2.69
35°F (1.7°C)	TC	45377	45438	45487	45489	45551	48112	48169	48217	48226	48283	50986	51053	51110	51119	51176	54058	54117	54176	54185	54252	
	S/T	0.42	0.49	0.56	0.56	0.64	0.44	0.52	0.59	0.59	0.67	0.47	0.55	0.63	0.63	0.71	0.50	0.58	0.66	0.66	0.76	
	PI	3.52	3.53	3.53	3.53	3.53	3.73	3.74	3.74	3.74	3.75	3.96	3.96	3.97	3.97	3.97	4.19	4.20	4.20	4.20	4.21	
41°F (5.0°C)	TC	38318	38370	38411	38413	38465	40627	40676	40716	40724	40772	43055	43111	43159	43167	43215	45649	45698	45748	45755	45812	
	S/T	0.42	0.49	0.56	0.56	0.64	0.44	0.52	0.59	0.59	0.68	0.47	0.55	0.63	0.63	0.72	0.50	0.59	0.67	0.67	0.76	
	PI	2.39	2.39	2.40	2.40	2.40	2.53	2.54	2.54	2.54	2.54	2.69	2.69	2.69	2.69	2.70	2.85	2.85	2.85	2.85	2.86	

Manufacturer reserves the right to change, at any time, specifications and designs without notice and without obligations.

Table 26: Cooling Performance - 48K D5CUHA + D5FUAU (Sheet 2 of 8)

712	47°F (8.3°C)	TC	31259	31301	31335	31336	31378	33143	33182	33215	33221	33261	35123	35169	35208	35214	35254	37239	37280	37320	37326	37373
		S/T	0.42	0.49	0.56	0.56	0.64	0.45	0.52	0.59	0.59	0.68	0.47	0.55	0.63	0.63	0.72	0.50	0.59	0.67	0.67	0.76
		PI	1.26	1.26	1.26	1.26	1.26	1.34	1.34	1.34	1.34	1.34	1.42	1.42	1.42	1.42	1.42	1.50	1.50	1.50	1.50	1.51
	50°F (10.0°C)	TC	31515	31558	31592	31593	31636	33415	33454	33487	33494	33534	35411	35457	35496	35503	35543	37544	37585	37626	37632	37679
		S/T	0.42	0.50	0.56	0.56	0.64	0.45	0.53	0.60	0.60	0.68	0.47	0.56	0.63	0.63	0.72	0.50	0.59	0.67	0.67	0.77
		PI	1.31	1.31	1.31	1.31	1.31	1.39	1.39	1.39	1.39	1.39	1.47	1.47	1.47	1.47	1.48	1.56	1.56	1.56	1.56	1.56
	59°F (15.0°C)	TC	32284	32327	32362	32364	32407	34230	34270	34304	34311	34352	36275	36322	36362	36369	36410	38460	38502	38544	38550	38598
		S/T	0.42	0.50	0.57	0.57	0.65	0.45	0.53	0.60	0.60	0.68	0.48	0.56	0.64	0.64	0.73	0.51	0.59	0.67	0.67	0.77
		PI	1.46	1.46	1.46	1.46	1.46	1.54	1.55	1.55	1.55	1.55	1.64	1.64	1.64	1.64	1.64	1.73	1.74	1.74	1.74	1.74
	68°F (20.0°C)	TC	33053	33097	33133	33134	33179	35045	35086	35121	35128	35170	37138	37187	37228	37235	37277	39376	39419	39462	39468	39517
		S/T	0.44	0.51	0.58	0.58	0.66	0.46	0.54	0.62	0.62	0.70	0.49	0.57	0.65	0.65	0.74	0.52	0.61	0.69	0.69	0.79
		PI	1.60	1.61	1.61	1.61	1.61	1.70	1.70	1.70	1.70	1.71	1.80	1.80	1.81	1.81	1.81	1.91	1.91	1.91	1.91	1.92
	77°F (25.0°C)	TC	33822	33867	33904	33905	33951	35860	35902	35938	35945	35988	38002	38052	38094	38101	38144	40292	40336	40380	40386	40436
		S/T	0.44	0.52	0.59	0.59	0.67	0.47	0.55	0.62	0.62	0.71	0.50	0.58	0.66	0.66	0.75	0.53	0.62	0.70	0.70	0.80
		PI	1.75	1.75	1.75	1.76	1.76	1.86	1.86	1.86	1.86	1.86	1.97	1.97	1.97	1.97	1.97	2.09	2.09	2.09	2.09	2.09
	82°F (27.8°C)	TC	34643	34690	34727	34729	34776	36731	36775	36811	36818	36862	38926	38976	39020	39027	39071	41271	41316	41361	41367	41419
		S/T	0.45	0.52	0.60	0.60	0.68	0.47	0.56	0.63	0.63	0.72	0.50	0.59	0.67	0.67	0.76	0.53	0.63	0.71	0.71	0.81
		PI	2.07	2.08	2.08	2.08	2.08	2.20	2.20	2.20	2.20	2.21	2.33	2.33	2.34	2.34	2.34	2.47	2.47	2.48	2.48	2.48
	86°F (30.0°C)	TC	35799	35847	35886	35887	35936	37956	38001	38039	38046	38092	40224	40276	40321	40329	40374	42648	42694	42741	42747	42800
		S/T	0.45	0.53	0.60	0.60	0.69	0.48	0.56	0.64	0.64	0.73	0.51	0.60	0.68	0.68	0.77	0.54	0.63	0.72	0.72	0.82
		PI	2.64	2.64	2.64	2.64	2.65	2.79	2.80	2.80	2.80	2.80	2.96	2.97	2.97	2.97	2.97	3.14	3.14	3.15	3.15	3.15
	95°F (35.0°C)	TC	38399	38451	38492	38494	38546	40713	40761	40802	40810	40858	43146	43202	43250	43258	43306	45745	45795	45845	45852	45909
		S/T	0.45	0.53	0.60	0.60	0.69	0.48	0.56	0.64	0.64	0.73	0.51	0.60	0.68	0.68	0.77	0.54	0.63	0.72	0.72	0.82
		PI	3.90	3.91	3.91	3.91	3.92	4.14	4.14	4.14	4.15	4.15	4.38	4.39	4.39	4.39	4.40	4.65	4.65	4.66	4.66	4.66
104°F (40.0°C)	TC	34284	34330	34367	34368	34415	36350	36393	36429	36436	36479	38521	38571	38614	38622	38665	40842	40887	40931	40938	40989	
	S/T	0.46	0.54	0.62	0.62	0.71	0.49	0.58	0.66	0.66	0.75	0.52	0.61	0.70	0.70	0.79	0.55	0.65	0.74	0.74	0.84	
	PI	3.74	3.74	3.74	3.74	3.75	3.96	3.97	3.97	3.97	3.97	4.20	4.20	4.21	4.21	4.21	4.45	4.45	4.46	4.46	4.47	
110°F (43.0°C)	TC	31814	31857	31891	31893	31936	33732	33771	33805	33811	33852	35747	35793	35833	35840	35880	37901	37942	37983	37989	38036	
	S/T	0.48	0.56	0.64	0.64	0.73	0.51	0.60	0.68	0.68	0.78	0.54	0.63	0.72	0.72	0.82	0.57	0.67	0.76	0.76	0.87	
	PI	3.64	3.64	3.64	3.65	3.65	3.86	3.86	3.86	3.86	3.87	4.09	4.09	4.10	4.10	4.10	4.33	4.34	4.34	4.34	4.35	
115°F (46.0°C)	TC	28015	28053	28083	28084	28122	29703	29738	29768	29774	29809	31478	31519	31554	31560	31595	33374	33411	33447	33452	33494	
	S/T	0.49	0.57	0.65	0.65	0.74	0.52	0.61	0.69	0.69	0.78	0.55	0.64	0.73	0.73	0.83	0.58	0.68	0.77	0.77	0.88	
	PI	3.42	3.42	3.42	3.42	3.43	3.62	3.63	3.63	3.63	3.63	3.84	3.84	3.85	3.85	3.85	4.07	4.07	4.08	4.08	4.08	
122°F (50.0°C)	TC	22949	22980	23005	23006	23037	24332	24361	24385	24390	24419	25786	25819	25848	25853	25882	27339	27369	27399	27403	27437	
	S/T	0.50	0.58	0.66	0.66	0.76	0.53	0.62	0.70	0.70	0.80	0.56	0.66	0.75	0.75	0.85	0.59	0.70	0.79	0.79	0.90	
	PI	3.12	3.13	3.13	3.13	3.13	3.31	3.31	3.32	3.32	3.32	3.51	3.51	3.52	3.52	3.52	3.72	3.72	3.73	3.73	3.73	

Manufacturer reserves the right to change, at any time, specifications and designs without notice and without obligations.

Table 26: Cooling Performance - 48K D5CUHA + D5FUAU (Sheet 3 of 8)

806	-22°F (-30.0°C)	TC	32788	32832	32867	32869	32913	34764	34805	34839	34846	34888	36841	36889	36930	36937	36978	39061	39103	39146	39152	39200
		S/T	0.43	0.50	0.57	0.57	0.65	0.45	0.53	0.60	0.60	0.69	0.48	0.56	0.64	0.64	0.73	0.51	0.60	0.68	0.68	0.77
		PI	1.43	1.43	1.44	1.44	1.44	1.52	1.52	1.52	1.52	1.52	1.61	1.61	1.61	1.61	1.62	1.71	1.71	1.71	1.71	1.71
	-13°F (-25.0°C)	TC	35520	35568	35606	35608	35656	37661	37706	37743	37750	37795	39911	39963	40007	40015	40059	42316	42362	42408	42414	42467
		S/T	0.43	0.50	0.57	0.57	0.65	0.46	0.53	0.61	0.61	0.69	0.48	0.57	0.64	0.64	0.73	0.51	0.60	0.68	0.68	0.78
		PI	1.55	1.55	1.56	1.56	1.56	1.65	1.65	1.65	1.65	1.65	1.74	1.75	1.75	1.75	1.75	1.85	1.85	1.85	1.85	1.86
	-4°F (-20.0°C)	TC	38253	38304	38345	38347	38399	40558	40606	40646	40654	40702	42981	43037	43085	43093	43141	45571	45620	45670	45677	45734
		S/T	0.43	0.51	0.58	0.58	0.66	0.46	0.54	0.61	0.61	0.70	0.49	0.57	0.65	0.65	0.74	0.51	0.60	0.69	0.69	0.78
		PI	1.67	1.67	1.68	1.68	1.68	1.77	1.77	1.78	1.78	1.78	1.88	1.88	1.88	1.88	1.88	1.99	1.99	1.99	2.00	2.00
	0°F (-17.8°C)	TC	39467	39520	39563	39564	39618	41845	41895	41936	41945	41994	44346	44403	44453	44461	44510	47017	47069	47120	47127	47186
		S/T	0.43	0.51	0.58	0.58	0.66	0.46	0.54	0.61	0.61	0.70	0.49	0.57	0.65	0.65	0.74	0.52	0.61	0.69	0.69	0.78
		PI	1.72	1.73	1.73	1.73	1.73	1.83	1.83	1.83	1.83	1.83	1.94	1.94	1.94	1.94	1.94	2.05	2.06	2.06	2.06	2.06
	5°F (-15.0°C)	TC	40985	41040	41084	41086	41142	43455	43506	43549	43558	43610	46051	46111	46162	46171	46222	48826	48879	48932	48940	49001
		S/T	0.44	0.51	0.58	0.58	0.66	0.46	0.54	0.62	0.62	0.70	0.49	0.57	0.65	0.65	0.74	0.52	0.61	0.69	0.69	0.79
		PI	1.79	1.79	1.79	1.79	1.80	1.90	1.90	1.90	1.90	1.90	2.01	2.01	2.02	2.02	2.02	2.13	2.14	2.14	2.14	2.14
	14°F (-10.0°C)	TC	42488	42545	42591	42593	42650	45048	45102	45146	45155	45209	47740	47802	47855	47864	47917	50616	50671	50726	50734	50797
		S/T	0.44	0.51	0.58	0.58	0.66	0.46	0.54	0.62	0.62	0.70	0.49	0.58	0.65	0.65	0.75	0.52	0.61	0.69	0.69	0.79
		PI	1.72	1.72	1.73	1.73	1.73	1.83	1.83	1.83	1.83	1.83	1.93	1.94	1.94	1.94	1.94	2.05	2.05	2.06	2.06	2.06
	17°F (-8.3°C)	TC	42989	43046	43093	43095	43153	45579	45633	45678	45687	45742	48302	48365	48419	48428	48482	51213	51268	51324	51332	51396
		S/T	0.44	0.51	0.58	0.58	0.67	0.46	0.54	0.62	0.62	0.71	0.49	0.58	0.66	0.66	0.75	0.52	0.61	0.69	0.69	0.79
		PI	1.70	1.70	1.70	1.70	1.71	1.80	1.80	1.81	1.81	1.81	1.91	1.91	1.91	1.91	1.92	2.02	2.03	2.03	2.03	2.03
	23°F (-5.0°C)	TC	44637	44697	44745	44747	44807	47327	47383	47429	47439	47495	50154	50219	50275	50285	50341	53176	53234	53292	53300	53366
		S/T	0.44	0.52	0.59	0.59	0.67	0.47	0.55	0.62	0.62	0.71	0.49	0.58	0.66	0.66	0.75	0.52	0.61	0.70	0.70	0.80
		PI	2.37	2.38	2.38	2.38	2.38	2.52	2.52	2.52	2.52	2.52	2.67	2.67	2.67	2.67	2.68	2.83	2.83	2.83	2.83	2.84
35°F (1.7°C)	TC	47933	47997	48049	48051	48116	50821	50881	50932	50942	51002	53857	53927	53988	53998	54058	57102	57165	57227	57236	57307	
	S/T	0.44	0.52	0.59	0.59	0.67	0.47	0.55	0.62	0.62	0.71	0.50	0.58	0.66	0.66	0.75	0.53	0.62	0.70	0.70	0.80	
	PI	3.72	3.72	3.73	3.73	3.73	3.94	3.95	3.95	3.95	3.96	4.18	4.18	4.19	4.19	4.19	4.43	4.44	4.44	4.44	4.45	
41°F (5.0°C)	TC	40476	40530	40574	40576	40631	42915	42966	43008	43017	43068	45479	45538	45589	45597	45648	48219	48272	48324	48332	48392	
	S/T	0.44	0.52	0.59	0.59	0.67	0.47	0.55	0.63	0.63	0.71	0.50	0.58	0.66	0.66	0.76	0.53	0.62	0.70	0.70	0.80	
	PI	2.52	2.53	2.53	2.53	2.53	2.68	2.68	2.68	2.68	2.69	2.84	2.84	2.84	2.84	2.85	3.01	3.01	3.01	3.01	3.02	
47°F (8.3°C)	TC	33019	33064	33099	33101	33145	35009	35051	35085	35092	35134	37101	37149	37190	37197	37239	39336	39379	39422	39428	39477	
	S/T	0.44	0.52	0.59	0.59	0.68	0.47	0.55	0.63	0.63	0.72	0.50	0.59	0.67	0.67	0.76	0.53	0.62	0.71	0.71	0.80	
	PI	1.33	1.33	1.33	1.33	1.34	1.41	1.41	1.41	1.41	1.42	1.49	1.50	1.50	1.50	1.50	1.58	1.59	1.59	1.59	1.59	
50°F (10.0°C)	TC	33290	33335	33371	33372	33417	35296	35338	35373	35380	35422	37405	37454	37495	37502	37544	39659	39702	39745	39751	39801	
	S/T	0.45	0.52	0.60	0.60	0.68	0.47	0.56	0.63	0.63	0.72	0.50	0.59	0.67	0.67	0.76	0.53	0.62	0.71	0.71	0.81	
	PI	1.38	1.38	1.39	1.39	1.39	1.47	1.47	1.47	1.47	1.47	1.55	1.56	1.56	1.56	1.56	1.65	1.65	1.65	1.65	1.65	

Manufacturer reserves the right to change, at any time, specifications and designs without notice and without obligations.

Table 26: Cooling Performance - 48K D5CUHA + D5FUA (Sheet 4 of 8)

806	59°F (15.0°C)	TC	34102	34148	34185	34186	34232	36157	36200	36236	36243	36286	38317	38367	38410	38417	38460	40626	40670	40714	40721	40772
		S/T	0.45	0.53	0.60	0.60	0.68	0.48	0.56	0.63	0.63	0.72	0.50	0.59	0.67	0.67	0.77	0.53	0.63	0.71	0.71	0.81
		PI	1.54	1.54	1.54	1.54	1.54	1.63	1.63	1.63	1.63	1.64	1.73	1.73	1.73	1.73	1.73	1.83	1.83	1.84	1.84	1.84
	68°F (20.0°C)	TC	34914	34961	34999	35000	35047	37018	37062	37099	37106	37150	39230	39281	39325	39332	39376	41593	41639	41684	41690	41742
		S/T	0.46	0.54	0.61	0.61	0.70	0.49	0.57	0.65	0.65	0.74	0.52	0.61	0.69	0.69	0.79	0.55	0.64	0.73	0.73	0.83
		PI	1.69	1.70	1.70	1.70	1.70	1.80	1.80	1.80	1.80	1.80	1.90	1.91	1.91	1.91	1.91	2.02	2.02	2.02	2.02	2.02
	77°F (25.0°C)	TC	35726	35774	35813	35814	35863	37879	37924	37961	37969	38014	40142	40194	40239	40247	40292	42561	42607	42653	42660	42713
		S/T	0.47	0.55	0.62	0.62	0.71	0.49	0.58	0.66	0.66	0.75	0.52	0.62	0.70	0.70	0.80	0.56	0.65	0.74	0.74	0.84
		PI	1.85	1.85	1.85	1.85	1.86	1.96	1.96	1.97	1.97	1.97	2.08	2.08	2.08	2.08	2.09	2.20	2.21	2.21	2.21	2.21
	82°F (27.8°C)	TC	36594	36643	36683	36685	36734	38800	38846	38884	38892	38938	41118	41171	41217	41225	41271	43595	43642	43690	43697	43751
		S/T	0.47	0.55	0.63	0.63	0.72	0.50	0.59	0.67	0.67	0.76	0.53	0.62	0.71	0.71	0.81	0.56	0.66	0.75	0.75	0.86
		PI	2.19	2.19	2.20	2.20	2.20	2.32	2.32	2.33	2.33	2.33	2.46	2.46	2.47	2.47	2.47	2.61	2.61	2.61	2.62	2.62
	86°F (30.0°C)	TC	37815	37866	37907	37908	37959	40094	40141	40181	40189	40237	42489	42544	42592	42600	42647	45049	45098	45147	45154	45211
		S/T	0.48	0.56	0.64	0.64	0.73	0.51	0.60	0.68	0.68	0.77	0.54	0.63	0.72	0.72	0.82	0.57	0.67	0.76	0.76	0.87
		PI	2.78	2.79	2.79	2.79	2.79	2.95	2.96	2.96	2.96	2.96	3.13	3.13	3.14	3.14	3.14	3.32	3.32	3.32	3.32	3.33
	95°F (35.0°C)	TC	40561	40616	40660	40662	40716	43006	43057	43099	43108	43159	45575	45634	45685	45694	45745	48321	48374	48426	48434	48494
		S/T	0.48	0.56	0.64	0.64	0.73	0.51	0.60	0.68	0.68	0.77	0.54	0.63	0.72	0.72	0.82	0.57	0.67	0.76	0.76	0.87
		PI	4.12	4.13	4.13	4.13	4.14	4.37	4.37	4.38	4.38	4.38	4.63	4.64	4.64	4.64	4.65	4.91	4.91	4.92	4.92	4.93
	104°F (40.0°C)	TC	36214	36263	36302	36304	36352	38397	38442	38480	38488	38533	40691	40743	40789	40796	40842	43142	43189	43236	43243	43297
		S/T	0.49	0.58	0.65	0.65	0.75	0.52	0.61	0.69	0.69	0.79	0.55	0.65	0.73	0.73	0.84	0.58	0.69	0.78	0.78	0.89
		PI	3.95	3.95	3.96	3.96	3.96	4.18	4.19	4.19	4.19	4.20	4.43	4.44	4.44	4.44	4.45	4.70	4.71	4.71	4.71	4.72
	110°F (43.0°C)	TC	33606	33651	33687	33689	33734	35631	35673	35708	35715	35758	37760	37809	37851	37858	37900	40035	40078	40122	40128	40178
		S/T	0.51	0.60	0.68	0.68	0.77	0.54	0.63	0.72	0.72	0.82	0.57	0.67	0.76	0.76	0.87	0.61	0.71	0.81	0.81	0.92
		PI	3.84	3.85	3.85	3.85	3.86	4.07	4.08	4.08	4.08	4.09	4.32	4.32	4.33	4.33	4.33	4.58	4.58	4.59	4.59	4.59
115°F (46.0°C)	TC	29592	29632	29664	29665	29705	31376	31413	31444	31450	31488	33250	33293	33331	33337	33374	35254	35292	35330	35336	35380	
	S/T	0.51	0.60	0.69	0.69	0.78	0.55	0.64	0.73	0.73	0.83	0.58	0.68	0.77	0.77	0.88	0.61	0.72	0.82	0.82	0.93	
	PI	3.61	3.61	3.62	3.62	3.62	3.83	3.83	3.83	3.83	3.84	4.05	4.06	4.06	4.06	4.07	4.30	4.30	4.31	4.31	4.31	
122°F (50.0°C)	TC	24241	24274	24300	24301	24334	25702	25733	25758	25763	25794	27238	27273	27304	27309	27339	28879	28910	28942	28946	28982	
	S/T	0.53	0.62	0.70	0.70	0.80	0.56	0.65	0.74	0.74	0.85	0.59	0.69	0.79	0.79	0.90	0.63	0.74	0.84	0.84	0.95	
	PI	3.30	3.30	3.31	3.31	3.31	3.50	3.50	3.50	3.51	3.51	3.71	3.71	3.71	3.72	3.72	3.93	3.93	3.94	3.94	3.94	
894	-22°F (-30.0°C)	TC	34634	34681	34718	34720	34767	36722	36765	36801	36809	36852	38915	38966	39009	39017	39060	41260	41305	41350	41356	41408
		S/T	0.45	0.53	0.60	0.60	0.68	0.48	0.56	0.64	0.64	0.73	0.51	0.59	0.68	0.68	0.77	0.54	0.63	0.72	0.72	0.82
		PI	1.51	1.51	1.52	1.52	1.52	1.60	1.61	1.61	1.61	1.61	1.70	1.70	1.70	1.70	1.71	1.80	1.80	1.81	1.81	1.81
	-13°F (-25.0°C)	TC	37520	37571	37611	37613	37664	39782	39829	39868	39876	39923	42158	42213	42260	42268	42315	44698	44747	44796	44803	44859
		S/T	0.45	0.53	0.60	0.61	0.69	0.48	0.56	0.64	0.64	0.73	0.51	0.60	0.68	0.68	0.77	0.54	0.63	0.72	0.72	0.82
		PI	1.64	1.64	1.64	1.64	1.65	1.74	1.74	1.74	1.74	1.74	1.84	1.84	1.85	1.85	1.85	1.95	1.95	1.96	1.96	1.96

Manufacturer reserves the right to change, at any time, specifications and designs without notice and without obligations.

Table 26: Cooling Performance - 48K D5CUHA + D5FUA (Sheet 5 of 8)

894	-4°F (-20.0°C)	TC	40407	40461	40505	40506	40561	42842	42893	42935	42943	42994	45401	45460	45511	45519	45570	48137	48189	48242	48249	48309
		S/T	0.46	0.54	0.61	0.61	0.69	0.48	0.57	0.64	0.64	0.74	0.51	0.60	0.68	0.68	0.78	0.54	0.64	0.72	0.72	0.83
		PI	1.77	1.77	1.77	1.77	1.77	1.87	1.87	1.88	1.88	1.88	1.98	1.99	1.99	1.99	1.99	2.10	2.11	2.11	2.11	2.11
	0°F (-17.8°C)	TC	41689	41745	41790	41792	41849	44202	44254	44298	44307	44359	46843	46903	46956	46964	47017	49665	49719	49773	49781	49843
		S/T	0.46	0.54	0.61	0.61	0.70	0.49	0.57	0.65	0.65	0.74	0.51	0.60	0.69	0.69	0.78	0.55	0.64	0.73	0.73	0.83
		PI	1.82	1.82	1.83	1.83	1.83	1.93	1.93	1.94	1.94	1.94	2.05	2.05	2.05	2.05	2.05	2.17	2.17	2.17	2.17	2.18
	5°F (-15.0°C)	TC	43293	43351	43398	43400	43458	45902	45956	46002	46011	46065	48644	48707	48762	48771	48825	51575	51631	51687	51695	51760
		S/T	0.46	0.54	0.61	0.61	0.70	0.49	0.57	0.65	0.65	0.74	0.52	0.61	0.69	0.69	0.79	0.55	0.64	0.73	0.73	0.83
		PI	1.89	1.89	1.90	1.90	1.90	2.01	2.01	2.01	2.01	2.01	2.12	2.13	2.13	2.13	2.13	2.25	2.26	2.26	2.26	2.26
	14°F (-10.0°C)	TC	44880	44941	44989	44991	45052	47585	47641	47688	47698	47754	50428	50493	50550	50559	50615	53466	53524	53583	53591	53658
		S/T	0.46	0.54	0.61	0.61	0.70	0.49	0.57	0.65	0.65	0.74	0.52	0.61	0.69	0.69	0.79	0.55	0.64	0.73	0.73	0.83
		PI	1.82	1.82	1.82	1.82	1.83	1.93	1.93	1.93	1.93	1.94	2.04	2.05	2.05	2.05	2.05	2.17	2.17	2.17	2.17	2.17
	17°F (-8.3°C)	TC	45409	45470	45519	45521	45583	48146	48203	48251	48260	48317	51022	51089	51146	51155	51212	54097	54155	54214	54223	54290
		S/T	0.46	0.54	0.62	0.62	0.70	0.49	0.57	0.65	0.65	0.74	0.52	0.61	0.69	0.69	0.79	0.55	0.65	0.73	0.73	0.84
		PI	1.79	1.80	1.80	1.80	1.80	1.90	1.90	1.91	1.91	1.91	2.02	2.02	2.02	2.02	2.02	2.14	2.14	2.14	2.14	2.15
	23°F (-5.0°C)	TC	47150	47214	47264	47266	47330	49992	50051	50100	50110	50170	52978	53047	53106	53116	53175	56170	56231	56293	56301	56371
		S/T	0.46	0.55	0.62	0.62	0.71	0.49	0.58	0.66	0.66	0.75	0.52	0.61	0.70	0.70	0.79	0.55	0.65	0.74	0.74	0.84
		PI	2.51	2.51	2.51	2.51	2.52	2.66	2.66	2.66	2.66	2.67	2.82	2.82	2.82	2.82	2.83	2.99	2.99	2.99	2.99	3.00
	35°F (1.7°C)	TC	50632	50700	50754	50757	50825	53683	53747	53800	53810	53874	56890	56964	57028	57038	57102	60318	60384	60449	60459	60534
		S/T	0.47	0.55	0.62	0.62	0.71	0.49	0.58	0.66	0.66	0.75	0.52	0.62	0.70	0.70	0.80	0.56	0.65	0.74	0.74	0.85
		PI	3.93	3.93	3.94	3.94	3.94	4.17	4.17	4.17	4.18	4.18	4.41	4.42	4.42	4.43	4.43	4.68	4.69	4.69	4.69	4.70
	41°F (5.0°C)	TC	42755	42813	42859	42861	42918	45332	45385	45430	45439	45493	48040	48102	48156	48165	48219	50935	50990	51045	51053	51117
		S/T	0.47	0.55	0.62	0.62	0.71	0.50	0.58	0.66	0.66	0.75	0.53	0.62	0.70	0.70	0.80	0.56	0.65	0.74	0.74	0.85
		PI	2.67	2.67	2.67	2.67	2.68	2.83	2.83	2.83	2.83	2.84	3.00	3.00	3.00	3.00	3.01	3.18	3.18	3.18	3.18	3.19
47°F (8.3°C)	TC	34879	34926	34963	34965	35012	36981	37024	37061	37068	37112	39190	39241	39285	39292	39336	41551	41596	41642	41648	41700	
	S/T	0.47	0.55	0.63	0.63	0.71	0.50	0.58	0.66	0.66	0.76	0.53	0.62	0.70	0.70	0.80	0.56	0.66	0.75	0.75	0.85	
	PI	1.41	1.41	1.41	1.41	1.41	1.49	1.49	1.49	1.49	1.50	1.58	1.58	1.58	1.58	1.58	1.67	1.68	1.68	1.68	1.68	
50°F (10.0°C)	TC	35165	35212	35250	35251	35299	37284	37328	37365	37372	37417	39511	39563	39607	39614	39658	41892	41937	41983	41990	42042	
	S/T	0.47	0.55	0.63	0.63	0.72	0.50	0.59	0.67	0.67	0.76	0.53	0.62	0.71	0.71	0.81	0.56	0.66	0.75	0.75	0.85	
	PI	1.46	1.46	1.46	1.46	1.47	1.55	1.55	1.55	1.55	1.55	1.64	1.64	1.64	1.64	1.65	1.74	1.74	1.74	1.74	1.75	
59°F (15.0°C)	TC	36022	36071	36110	36111	36160	38193	38238	38276	38284	38329	40475	40528	40573	40580	40626	42914	42960	43007	43014	43067	
	S/T	0.47	0.56	0.63	0.63	0.72	0.50	0.59	0.67	0.67	0.76	0.53	0.62	0.71	0.71	0.81	0.56	0.66	0.75	0.75	0.86	
	PI	1.62	1.63	1.63	1.63	1.63	1.72	1.72	1.73	1.73	1.73	1.83	1.83	1.83	1.83	1.83	1.94	1.94	1.94	1.94	1.94	
68°F (20.0°C)	TC	36880	36930	36969	36971	37021	39103	39149	39188	39195	39242	41439	41493	41539	41547	41593	43936	43983	44031	44038	44093	
	S/T	0.49	0.57	0.65	0.65	0.74	0.52	0.61	0.69	0.69	0.78	0.55	0.64	0.73	0.73	0.83	0.58	0.68	0.77	0.77	0.88	
	PI	1.79	1.79	1.79	1.79	1.80	1.90	1.90	1.90	1.90	1.90	2.01	2.01	2.01	2.02	2.02	2.13	2.13	2.14	2.14	2.14	

Table 26: Cooling Performance - 48K D5CUHA + D5FUA (Sheet 6 of 8)

894	77°F (25.0°C)	TC	37738	37789	37829	37831	37882	40012	40060	40099	40107	40155	42403	42458	42505	42513	42560	44957	45006	45055	45062	45118
		S/T	0.49	0.58	0.66	0.66	0.75	0.52	0.61	0.70	0.70	0.79	0.55	0.65	0.74	0.74	0.84	0.59	0.69	0.78	0.78	0.89
		PI	1.95	1.96	1.96	1.96	1.96	2.07	2.07	2.08	2.08	2.08	2.19	2.20	2.20	2.20	2.20	2.33	2.33	2.33	2.33	2.34
	82°F (27.8°C)	TC	38655	38707	38749	38750	38803	40984	41033	41073	41082	41130	43433	43489	43538	43546	43595	46050	46100	46150	46157	46215
		S/T	0.50	0.59	0.67	0.67	0.76	0.53	0.62	0.71	0.71	0.80	0.56	0.66	0.75	0.75	0.85	0.59	0.70	0.79	0.79	0.90
		PI	2.31	2.32	2.32	2.32	2.32	2.45	2.46	2.46	2.46	2.46	2.60	2.60	2.61	2.61	2.61	2.76	2.76	2.76	2.76	2.77
	86°F (30.0°C)	TC	39944	39998	40041	40043	40097	42352	42402	42444	42452	42502	44882	44940	44990	44999	45049	47586	47638	47690	47697	47756
		S/T	0.51	0.59	0.67	0.67	0.77	0.54	0.63	0.71	0.71	0.81	0.57	0.67	0.76	0.76	0.86	0.60	0.71	0.80	0.80	0.92
		PI	2.94	2.94	2.95	2.95	2.95	3.12	3.12	3.12	3.13	3.13	3.30	3.31	3.31	3.31	3.32	3.50	3.51	3.51	3.51	3.52
	95°F (35.0°C)	TC	42845	42903	42949	42951	43009	45428	45481	45526	45535	45589	48142	48204	48258	48267	48321	51042	51098	51153	51161	51225
		S/T	0.51	0.59	0.67	0.67	0.77	0.54	0.63	0.71	0.71	0.81	0.57	0.67	0.76	0.76	0.86	0.60	0.71	0.80	0.80	0.92
		PI	4.35	4.36	4.36	4.36	4.37	4.61	4.62	4.62	4.63	4.63	4.89	4.90	4.90	4.90	4.91	5.18	5.19	5.20	5.20	5.20
	104°F (40.0°C)	TC	38253	38305	38346	38348	38399	40559	40607	40647	40655	40703	42982	43038	43086	43094	43142	45572	45621	45671	45678	45735
		S/T	0.52	0.61	0.69	0.69	0.79	0.55	0.64	0.73	0.73	0.83	0.58	0.68	0.78	0.78	0.88	0.62	0.72	0.82	0.82	0.94
		PI	4.17	4.17	4.18	4.18	4.18	4.42	4.42	4.43	4.43	4.43	4.68	4.69	4.69	4.70	4.70	4.97	4.97	4.98	4.98	4.98
	110°F (43.0°C)	TC	35498	35546	35584	35586	35634	37637	37682	37719	37727	37771	39886	39938	39982	39990	40034	42289	42335	42381	42388	42441
		S/T	0.54	0.63	0.72	0.72	0.82	0.57	0.67	0.76	0.76	0.87	0.60	0.71	0.80	0.80	0.92	0.64	0.75	0.85	0.85	0.97
		PI	4.06	4.06	4.07	4.07	4.07	4.30	4.31	4.31	4.31	4.32	4.56	4.56	4.57	4.57	4.58	4.83	4.84	4.84	4.84	4.85
	115°F (46.0°C)	TC	31259	31301	31335	31336	31378	33143	33182	33215	33221	33261	35123	35168	35207	35214	35253	37239	37279	37320	37326	37372
		S/T	0.54	0.64	0.72	0.72	0.83	0.58	0.68	0.77	0.77	0.88	0.61	0.72	0.81	0.81	0.93	0.65	0.76	0.86	0.86	0.98
		PI	3.81	3.82	3.82	3.82	3.83	4.04	4.05	4.05	4.05	4.06	4.28	4.29	4.29	4.29	4.30	4.54	4.55	4.55	4.55	4.56
	122°F (50.0°C)	TC	25606	25641	25668	25670	25704	27150	27182	27208	27214	27246	28772	28809	28841	28846	28879	30505	30538	30571	30576	30614
		S/T	0.56	0.65	0.74	0.74	0.85	0.59	0.69	0.79	0.79	0.90	0.62	0.73	0.83	0.83	0.95	0.66	0.78	0.88	0.88	1.00
		PI	3.48	3.49	3.49	3.49	3.50	3.69	3.70	3.70	3.70	3.71	3.91	3.92	3.92	3.92	3.93	4.15	4.15	4.16	4.16	4.17
988	-22°F (-30.0°C)	TC	36585	36634	36673	36675	36724	38789	38835	38874	38881	38927	41107	41160	41206	41214	41260	43584	43631	43678	43685	43740
		S/T	0.48	0.56	0.63	0.63	0.72	0.50	0.59	0.67	0.67	0.77	0.53	0.63	0.71	0.71	0.81	0.57	0.67	0.76	0.76	0.86
		PI	1.60	1.60	1.60	1.60	1.60	1.69	1.70	1.70	1.70	1.70	1.80	1.80	1.80	1.80	1.80	1.90	1.91	1.91	1.91	1.91
	-13°F (-25.0°C)	TC	39633	39687	39729	39731	39785	42022	42072	42113	42121	42171	44532	44590	44640	44648	44698	47216	47267	47318	47326	47385
		S/T	0.48	0.56	0.64	0.64	0.73	0.51	0.60	0.68	0.68	0.77	0.54	0.63	0.72	0.72	0.82	0.57	0.67	0.76	0.76	0.87
		PI	1.73	1.73	1.74	1.74	1.74	1.84	1.84	1.84	1.84	1.84	1.95	1.95	1.95	1.95	1.95	2.06	2.06	2.07	2.07	2.07
	-4°F (-20.0°C)	TC	42682	42739	42785	42787	42845	45254	45308	45353	45362	45415	47958	48020	48074	48083	48136	50847	50903	50958	50966	51030
		S/T	0.48	0.57	0.64	0.64	0.73	0.51	0.60	0.68	0.68	0.78	0.54	0.64	0.72	0.72	0.82	0.57	0.67	0.77	0.77	0.87
		PI	1.86	1.87	1.87	1.87	1.87	1.98	1.98	1.98	1.98	1.98	2.09	2.10	2.10	2.10	2.10	2.22	2.22	2.23	2.23	2.23
	0°F (-17.8°C)	TC	44037	44096	44144	44146	44205	46691	46746	46792	46802	46857	49480	49545	49600	49609	49664	52462	52519	52576	52584	52650
		S/T	0.48	0.57	0.64	0.64	0.73	0.51	0.60	0.68	0.68	0.78	0.54	0.64	0.72	0.72	0.83	0.58	0.68	0.77	0.77	0.88
		PI	1.92	1.93	1.93	1.93	1.93	2.04	2.04	2.04	2.04	2.05	2.16	2.16	2.17	2.17	2.17	2.29	2.29	2.30	2.30	2.30

Manufacturer reserves the right to change, at any time, specifications and designs without notice and without obligations.

Table 26: Cooling Performance - 48K D5CUHA + D5FUAU (Sheet 7 of 8)

898	5°F (-15.0°C)	TC	45731	45792	45842	45844	45905	48487	48544	48592	48602	48659	51383	51450	51508	51517	51575	54479	54539	54598	54606	54675
		S/T	0.49	0.57	0.65	0.65	0.74	0.51	0.60	0.69	0.69	0.78	0.55	0.64	0.73	0.73	0.83	0.58	0.68	0.77	0.77	0.88
		PI	2.00	2.00	2.00	2.00	2.01	2.12	2.12	2.12	2.12	2.13	2.24	2.25	2.25	2.25	2.25	2.38	2.38	2.39	2.39	2.39
	14°F (-10.0°C)	TC	47407	47471	47522	47524	47589	50264	50324	50374	50384	50443	53267	53337	53396	53406	53466	56477	56538	56600	56609	56679
		S/T	0.49	0.57	0.65	0.65	0.74	0.52	0.61	0.69	0.69	0.78	0.55	0.64	0.73	0.73	0.83	0.58	0.68	0.77	0.77	0.88
		PI	1.92	1.92	1.93	1.93	1.93	2.04	2.04	2.04	2.04	2.04	2.16	2.16	2.16	2.16	2.17	2.29	2.29	2.29	2.29	2.30
	17°F (-8.3°C)	TC	47966	48031	48083	48085	48150	50857	50917	50968	50978	51038	53895	53965	54026	54036	54096	57143	57205	57267	57276	57347
		S/T	0.49	0.57	0.65	0.65	0.74	0.52	0.61	0.69	0.69	0.79	0.55	0.64	0.73	0.73	0.83	0.58	0.68	0.78	0.78	0.88
		PI	1.90	1.90	1.90	1.90	1.90	2.01	2.01	2.01	2.01	2.02	2.13	2.13	2.14	2.14	2.14	2.26	2.26	2.26	2.26	2.27
	23°F (-5.0°C)	TC	49805	49872	49926	49928	49995	52807	52869	52921	52932	52995	55962	56034	56097	56107	56170	59333	59398	59462	59472	59546
		S/T	0.49	0.58	0.65	0.65	0.75	0.52	0.61	0.69	0.69	0.79	0.55	0.65	0.74	0.74	0.84	0.58	0.69	0.78	0.78	0.89
		PI	2.65	2.65	2.65	2.65	2.66	2.81	2.81	2.81	2.81	2.82	2.97	2.98	2.98	2.98	2.99	3.15	3.16	3.16	3.16	3.16
	35°F (1.7°C)	TC	53483	53555	53612	53615	53687	56706	56773	56829	56840	56908	60094	60172	60239	60250	60317	63715	63784	63853	63863	63943
		S/T	0.49	0.58	0.66	0.66	0.75	0.52	0.61	0.70	0.70	0.79	0.55	0.65	0.74	0.74	0.84	0.59	0.69	0.78	0.78	0.89
		PI	4.15	4.16	4.16	4.16	4.17	4.40	4.41	4.41	4.41	4.42	4.66	4.67	4.67	4.67	4.68	4.94	4.95	4.95	4.96	4.96
	41°F (5.0°C)	TC	45163	45223	45272	45274	45335	47884	47941	47988	47998	48055	50745	50811	50868	50877	50934	53803	53861	53920	53928	53995
		S/T	0.49	0.58	0.66	0.66	0.75	0.52	0.61	0.70	0.70	0.80	0.56	0.65	0.74	0.74	0.84	0.59	0.69	0.78	0.78	0.89
		PI	2.82	2.82	2.82	2.82	2.83	2.99	2.99	2.99	2.99	3.00	3.17	3.17	3.17	3.17	3.18	3.36	3.36	3.36	3.36	3.37
	47°F (8.3°C)	TC	36843	36892	36932	36934	36983	39063	39109	39148	39156	39202	41397	41451	41497	41504	41551	43891	43939	43987	43993	44048
		S/T	0.50	0.58	0.66	0.66	0.75	0.53	0.62	0.70	0.70	0.80	0.56	0.65	0.74	0.74	0.85	0.59	0.69	0.79	0.79	0.90
		PI	1.48	1.49	1.49	1.49	1.49	1.57	1.58	1.58	1.58	1.58	1.67	1.67	1.67	1.67	1.67	1.77	1.77	1.77	1.77	1.77
50°F (10.0°C)	TC	37145	37195	37235	37236	37287	39383	39430	39469	39477	39523	41736	41790	41837	41845	41891	44251	44299	44347	44354	44409	
	S/T	0.50	0.58	0.66	0.66	0.76	0.53	0.62	0.70	0.70	0.80	0.56	0.66	0.75	0.75	0.85	0.59	0.70	0.79	0.79	0.90	
	PI	1.54	1.54	1.55	1.55	1.55	1.64	1.64	1.64	1.64	1.64	1.73	1.74	1.74	1.74	1.74	1.84	1.84	1.84	1.84	1.84	
59°F (15.0°C)	TC	38051	38102	38143	38145	38196	40344	40392	40432	40440	40488	42754	42810	42857	42865	42913	45330	45380	45429	45436	45493	
	S/T	0.50	0.59	0.67	0.67	0.76	0.53	0.62	0.71	0.71	0.81	0.56	0.66	0.75	0.75	0.86	0.60	0.70	0.80	0.80	0.91	
	PI	1.72	1.72	1.72	1.72	1.72	1.82	1.82	1.82	1.82	1.83	1.93	1.93	1.93	1.93	1.94	2.04	2.05	2.05	2.05	2.05	
68°F (20.0°C)	TC	38957	39009	39051	39053	39106	41305	41353	41394	41403	41452	43772	43829	43878	43886	43935	46410	46460	46511	46518	46576	
	S/T	0.51	0.60	0.69	0.69	0.78	0.54	0.64	0.73	0.73	0.83	0.58	0.68	0.77	0.77	0.88	0.61	0.72	0.82	0.82	0.93	
	PI	1.89	1.89	1.89	1.89	1.90	2.00	2.01	2.01	2.01	2.01	2.12	2.13	2.13	2.13	2.13	2.25	2.25	2.26	2.26	2.26	
77°F (25.0°C)	TC	39863	39917	39960	39961	40015	42265	42315	42357	42365	42416	44790	44849	44899	44907	44957	47489	47541	47592	47600	47659	
	S/T	0.52	0.61	0.69	0.69	0.79	0.55	0.65	0.74	0.74	0.84	0.59	0.69	0.78	0.78	0.89	0.62	0.73	0.83	0.83	0.94	
	PI	2.06	2.07	2.07	2.07	2.07	2.19	2.19	2.19	2.19	2.20	2.32	2.32	2.32	2.32	2.33	2.46	2.46	2.46	2.46	2.47	
82°F (27.8°C)	TC	40832	40886	40931	40932	40988	43292	43344	43386	43395	43446	45879	45938	45990	45998	46049	48643	48696	48749	48756	48817	
	S/T	0.53	0.62	0.70	0.70	0.80	0.56	0.66	0.75	0.75	0.85	0.59	0.70	0.79	0.79	0.90	0.63	0.74	0.84	0.84	0.95	
	PI	2.44	2.45	2.45	2.45	2.45	2.59	2.59	2.60	2.60	2.60	2.75	2.75	2.75	2.75	2.76	2.91	2.91	2.92	2.92	2.92	

Manufacturer reserves the right to change, at any time, specifications and designs without notice and without obligations.

Table 26: Cooling Performance - 48K D5CUHA + D5FUAA (Sheet 8 of 8)

898	86°F (30.0°C)	TC	42194	42250	42296	42298	42355	44736	44789	44834	44842	44896	47409	47471	47524	47532	47585	50266	50320	50375	50383	50446
		S/T	0.53	0.63	0.71	0.71	0.81	0.57	0.66	0.75	0.75	0.86	0.60	0.70	0.80	0.80	0.91	0.64	0.75	0.85	0.85	0.97
		PI	3.11	3.11	3.11	3.11	3.12	3.29	3.30	3.30	3.30	3.31	3.49	3.49	3.50	3.50	3.50	3.70	3.70	3.71	3.71	3.71
	95°F (35.0°C)	TC	45258	45319	45368	45370	45431	47986	48042	48090	48099	48156	50852	50919	50975	50985	51042	53916	53975	54034	54042	54110
		S/T	0.53	0.63	0.71	0.71	0.81	0.57	0.66	0.75	0.75	0.86	0.60	0.70	0.80	0.80	0.91	0.64	0.75	0.85	0.85	0.97
		PI	4.60	4.60	4.61	4.61	4.61	4.87	4.88	4.88	4.89	4.89	5.17	5.17	5.18	5.18	5.18	5.48	5.48	5.49	5.49	5.50
	104°F (40.0°C)	TC	40407	40462	40505	40507	40562	42843	42893	42936	42944	42995	45402	45461	45512	45520	45571	48138	48190	48243	48250	48310
		S/T	0.55	0.64	0.73	0.73	0.83	0.58	0.68	0.77	0.77	0.88	0.62	0.72	0.82	0.82	0.93	0.65	0.76	0.87	0.87	0.99
		PI	4.40	4.41	4.41	4.41	4.42	4.67	4.67	4.68	4.68	4.68	4.95	4.95	4.96	4.96	4.97	5.24	5.25	5.26	5.26	5.26
	110°F (43.0°C)	TC	37497	37547	37588	37590	37640	39757	39804	39843	39851	39898	42132	42187	42234	42242	42289	44671	44719	44768	44775	44830
		S/T	0.57	0.67	0.76	0.76	0.86	0.60	0.71	0.80	0.80	0.91	0.64	0.75	0.85	0.85	0.97	0.68	0.79	0.90	0.90	1.00
		PI	4.29	4.29	4.30	4.30	4.30	4.54	4.55	4.55	4.55	4.56	4.82	4.82	4.83	4.83	4.83	5.11	5.11	5.12	5.12	5.12
	115°F (46.0°C)	TC	33019	33063	33099	33100	33145	35009	35050	35085	35092	35134	37100	37149	37190	37197	37238	39336	39379	39421	39428	39477
		S/T	0.57	0.67	0.77	0.77	0.87	0.61	0.71	0.81	0.81	0.92	0.65	0.76	0.86	0.86	0.98	0.68	0.80	0.91	0.91	1.00
		PI	4.03	4.03	4.04	4.04	4.04	4.27	4.27	4.28	4.28	4.28	4.52	4.53	4.53	4.54	4.54	4.80	4.80	4.81	4.81	4.81
	122°F (50.0°C)	TC	27048	27085	27114	27115	27152	28678	28712	28741	28746	28780	30392	30431	30465	30471	30505	32223	32258	32293	32298	32338
		S/T	0.59	0.69	0.78	0.78	0.89	0.62	0.73	0.83	0.83	0.95	0.66	0.77	0.88	0.88	1.00	0.70	0.82	0.93	0.93	1.00
		PI	3.68	3.68	3.69	3.69	3.69	3.90	3.91	3.91	3.91	3.92	4.13	4.14	4.14	4.15	4.15	4.38	4.39	4.39	4.39	4.40

Heating Performance - 48K D5CUHA + D5FUA

Table 27: Heating Performance - 48K D5CUHA + D5FUA (Sheet 1 of 2)

AIRFLOW (CFM)	HEATING PERFORMANCE AT INDOOR DRY BULB TEMPERATURE										
	OUTDOOR DB °F (°C)	TC: TOTAL HEATING CAPACITY (BTU/HR)					PI: POWER INPUT (KW)				
		INDOOR CONDITIONS DB °F (°C)					INDOOR CONDITIONS DB				
		60.8°F (16.0°C)	68°F (20.0°C)	70°F (21.1°C)	71.6°F (22.0°C)	75.2°F (24.0°C)	60.8°F (16.0°C)	68°F (20.0°C)	70°F (21.1°C)	71.6°F (22.0°C)	75.2°F (24.0°C)
490	-22°F (-30.0°C)	21644	21211	21105	19677	19500	5.50	5.55	5.56	5.57	5.59
	-13°F (-25.0°C)	29745	29150	29004	26002	25768	5.97	6.02	6.03	6.04	6.07
	-4°F (-20.0°C)	35391	34684	34510	30938	30660	6.16	6.21	6.22	6.23	6.26
	0°F (-17.8°C)	37780	37024	36839	33026	32729	6.52	6.57	6.58	6.59	6.62
	5°F (-15.0°C)	40765	39950	39750	35636	35315	6.96	7.02	7.03	7.05	7.08
	14°F (-10.0°C)	42459	41610	41402	37117	36783	6.55	6.60	6.62	6.63	6.66
	17°F (-8.3°C)	43024	42164	41953	37611	37272	6.41	6.46	6.48	6.49	6.51
	22°F (-5.6°C)	41266	40440	40238	36073	35749	6.04	6.09	6.10	6.11	6.14
	27°F (-2.8°C)	39507	38717	38523	34536	34225	5.67	5.71	5.72	5.73	5.76
	32°F (-0.0°C)	37749	36994	36809	32999	32702	5.29	5.34	5.35	5.36	5.38
	35°F (1.7°C)	36693	35960	35780	32077	31788	5.07	5.11	5.12	5.13	5.15
	37°F (2.8°C)	38881	38103	37913	33989	33683	5.06	5.10	5.11	5.12	5.14
	42°F (5.6°C)	44350	43463	43245	38769	38421	5.03	5.07	5.08	5.09	5.11
	44.6°F (7.0°C)	46537	45606	45378	40682	40316	5.01	5.06	5.07	5.08	5.10
	47°F (8.3°C)	49818	48822	48578	43550	43158	5.00	5.04	5.05	5.06	5.08
	52°F (11.1°C)	47129	46186	45955	41199	40828	4.43	4.46	4.47	4.48	4.50
	57°F (13.9°C)	44439	43550	43332	38847	38498	3.86	3.89	3.90	3.91	3.92
	59°F (15.0°C)	43363	42496	42283	37907	37566	3.63	3.66	3.67	3.68	3.69
62°F (16.7°C)	41749	40914	40709	36496	36167	3.29	3.32	3.32	3.33	3.34	
64.4°F (18.0°C)	40673	39859	39660	35555	35235	3.06	3.09	3.10	3.10	3.11	
530	-22°F (-30.0°C)	23315	22849	22735	21909	21711	5.56	5.60	5.61	5.63	5.65
	-13°F (-25.0°C)	31420	30791	30637	28950	28690	6.03	6.08	6.09	6.10	6.13
	-4°F (-20.0°C)	37384	36637	36453	34446	34136	6.22	6.27	6.28	6.30	6.32
	0°F (-17.8°C)	39907	39109	38913	36771	36440	6.58	6.63	6.65	6.66	6.69
	5°F (-15.0°C)	43061	42200	41989	39677	39320	7.03	7.09	7.10	7.12	7.15
	14°F (-10.0°C)	44850	43953	43734	41326	40954	6.62	6.67	6.68	6.70	6.72
	17°F (-8.3°C)	45447	44538	44315	41875	41498	6.48	6.53	6.54	6.55	6.58
	22°F (-5.6°C)	43589	42718	42504	40164	39802	6.10	6.15	6.16	6.17	6.20
	27°F (-2.8°C)	41732	40897	40693	38452	38106	5.72	5.77	5.78	5.79	5.82
	32°F (-0.0°C)	39874	39077	38881	36741	36410	5.35	5.39	5.40	5.41	5.43
	35°F (1.7°C)	38760	37985	37795	35714	35392	5.12	5.16	5.17	5.18	5.20
	37°F (2.8°C)	41070	40249	40048	37843	37502	5.11	5.15	5.16	5.17	5.19
	42°F (5.6°C)	46847	45910	45681	43165	42777	5.08	5.12	5.13	5.14	5.16
	44.6°F (7.0°C)	49158	48175	47934	45295	44887	5.07	5.11	5.12	5.13	5.15
	47°F (8.3°C)	52624	51571	51313	48488	48052	5.05	5.09	5.10	5.11	5.13
	52°F (11.1°C)	49782	48787	48543	45870	45457	4.47	4.51	4.52	4.53	4.55
	57°F (13.9°C)	46941	46002	45772	43252	42863	3.90	3.93	3.94	3.95	3.96
	59°F (15.0°C)	45805	44888	44664	42205	41825	3.67	3.70	3.71	3.71	3.73
62°F (16.7°C)	44100	43218	43002	40634	40268	3.32	3.35	3.36	3.37	3.38	
64.4°F (18.0°C)	42963	42104	41893	39587	39231	3.10	3.12	3.13	3.13	3.15	

Table 27: Heating Performance - 48K D5CUHA + D5FUA (Sheet 2 of 2)

580	-22°F (-30.0°C)	25116	24614	24491	24393	24173	5.61	5.66	5.67	5.68	5.70
	-13°F (-25.0°C)	33189	32525	32362	32233	31943	6.09	6.14	6.15	6.17	6.19
	-4°F (-20.0°C)	39489	38700	38506	38352	38007	6.28	6.33	6.35	6.36	6.39
	0°F (-17.8°C)	42154	41311	41105	40940	40572	6.65	6.70	6.72	6.73	6.76
	5°F (-15.0°C)	45486	44576	44353	44176	43778	7.10	7.16	7.18	7.19	7.22
	14°F (-10.0°C)	47376	46428	46196	46011	45597	6.68	6.74	6.75	6.76	6.79
	17°F (-8.3°C)	48006	47046	46811	46623	46204	6.54	6.59	6.61	6.62	6.65
	22°F (-5.6°C)	46044	45123	44897	44718	44315	6.16	6.21	6.22	6.24	6.26
	27°F (-2.8°C)	44082	43200	42984	42812	42427	5.78	5.83	5.84	5.85	5.87
	32°F (-0.0°C)	42120	41277	41071	40907	40538	5.40	5.44	5.45	5.47	5.49
	35°F (1.7°C)	40942	40123	39923	39763	39405	5.17	5.21	5.22	5.23	5.26
	37°F (2.8°C)	43383	42515	42303	42134	41754	5.16	5.20	5.21	5.22	5.24
	42°F (5.6°C)	49485	48495	48253	48060	47627	5.13	5.17	5.18	5.19	5.21
	44.6°F (7.0°C)	51926	50887	50633	50430	49976	5.12	5.16	5.17	5.18	5.20
	47°F (8.3°C)	55587	54475	54203	53986	53500	5.10	5.14	5.15	5.16	5.18
	52°F (11.1°C)	52586	51534	51276	51071	50612	4.52	4.55	4.56	4.57	4.59
	57°F (13.9°C)	49584	48593	48350	48156	47723	3.94	3.97	3.98	3.99	4.00
	59°F (15.0°C)	48384	47416	47179	46990	46567	3.71	3.74	3.74	3.75	3.77
	62°F (16.7°C)	46583	45651	45423	45241	44834	3.36	3.39	3.39	3.40	3.41
	64.4°F (18.0°C)	45383	44475	44253	44076	43679	3.13	3.15	3.16	3.16	3.18
620	-22°F (-30.0°C)	26530	26000	25870	25766	25534	5.67	5.72	5.73	5.74	5.76
	-13°F (-25.0°C)	35058	34357	34185	34048	33742	6.15	6.20	6.22	6.23	6.25
	-4°F (-20.0°C)	41713	40879	40674	40512	40147	6.35	6.40	6.41	6.42	6.45
	0°F (-17.8°C)	44528	43638	43419	43246	42856	6.72	6.77	6.78	6.80	6.82
	5°F (-15.0°C)	48047	47086	46850	46663	46243	7.18	7.23	7.25	7.26	7.29
	14°F (-10.0°C)	50044	49043	48798	48602	48165	6.75	6.80	6.82	6.83	6.86
	17°F (-8.3°C)	50709	49695	49447	49249	48806	6.61	6.66	6.67	6.69	6.71
	22°F (-5.6°C)	48637	47664	47426	47236	46811	6.22	6.27	6.29	6.30	6.32
	27°F (-2.8°C)	46564	45633	45405	45223	44816	5.84	5.89	5.90	5.91	5.93
	32°F (-0.0°C)	44491	43602	43384	43210	42821	5.45	5.50	5.51	5.52	5.54
	35°F (1.7°C)	43248	42383	42171	42002	41624	5.22	5.27	5.28	5.29	5.31
	37°F (2.8°C)	45826	44909	44685	44506	44106	5.21	5.25	5.26	5.28	5.30
	42°F (5.6°C)	52272	51226	50970	50766	50309	5.18	5.22	5.23	5.24	5.26
	44.6°F (7.0°C)	54850	53753	53484	53270	52791	5.17	5.21	5.22	5.23	5.25
	47°F (8.3°C)	58717	57543	57255	57026	56513	5.15	5.19	5.20	5.21	5.23
	52°F (11.1°C)	55547	54436	54164	53947	53462	4.56	4.60	4.61	4.62	4.64
	57°F (13.9°C)	52377	51329	51072	50868	50410	3.98	4.01	4.02	4.03	4.04
	59°F (15.0°C)	51108	50086	49836	49636	49190	3.74	3.77	3.78	3.79	3.80
	62°F (16.7°C)	49206	48222	47981	47789	47359	3.39	3.42	3.43	3.43	3.45
	64.4°F (18.0°C)	47938	46979	46744	46557	46138	3.16	3.18	3.19	3.20	3.21

Cooling Performance - 60K D5CUHA + D5FUAA

Table 28: Cooling Performance - 60K D5CUHA + D5FUAA (Sheet 1 of 8)

AIRFLOW (CFM)	OUTDOOR DB °F (°C)	ID WB(°F)	60.8°F (16.0°C)					64.4°F (18.0°C)					67°F (19.4°C)					71.6°F (22.0°C)				
			ID DB(°F)	73.4°F (23.0°C)	77.0°F (25.0°C)	80.0°F (26.7°C)	80.6°F (27.0°C)	84.2°F (29.0°C)	73.4°F (23.0°C)	77.0°F (25.0°C)	80.0°F (26.7°C)	80.6°F (27.0°C)	84.2°F (29.0°C)	73.4°F (23.0°C)	77.0°F (25.0°C)	80.0°F (26.7°C)	80.6°F (27.0°C)	84.2°F (29.0°C)	73.4°F (23.0°C)	77.0°F (25.0°C)	80.0°F (26.7°C)	80.6°F (27.0°C)
712	-22°F (-30.0°C)	TC	30006	30046	30079	30080	30121	31814	31852	31883	31890	31928	33715	33759	33797	33803	33841	35746	35785	35824	35830	35874
		S/T	0.35	0.41	0.47	0.47	0.53	0.37	0.44	0.49	0.49	0.56	0.39	0.46	0.52	0.52	0.60	0.42	0.49	0.56	0.56	0.63
		PI	3.76	3.76	3.77	3.77	3.77	3.98	3.99	3.99	3.99	4.00	4.22	4.23	4.23	4.23	4.24	4.48	4.48	4.49	4.49	4.49
	-13°F (-25.0°C)	TC	32507	32550	32585	32587	32631	34466	34506	34540	34547	34588	36525	36572	36613	36620	36661	38725	38767	38810	38816	38864
		S/T	0.35	0.41	0.47	0.47	0.54	0.37	0.44	0.50	0.50	0.57	0.40	0.46	0.53	0.53	0.60	0.42	0.49	0.56	0.56	0.64
		PI	4.07	4.08	4.08	4.08	4.09	4.32	4.32	4.32	4.33	4.33	4.57	4.58	4.58	4.58	4.59	4.85	4.85	4.86	4.86	4.87
	-4°F (-20.0°C)	TC	35007	35054	35092	35093	35141	37117	37161	37197	37205	37249	39334	39385	39429	39437	39481	41704	41750	41795	41802	41854
		S/T	0.35	0.42	0.47	0.47	0.54	0.38	0.44	0.50	0.50	0.57	0.40	0.47	0.53	0.53	0.61	0.42	0.50	0.56	0.56	0.64
		PI	4.38	4.39	4.39	4.39	4.40	4.65	4.65	4.66	4.66	4.66	4.92	4.93	4.94	4.94	4.94	5.22	5.23	5.23	5.23	5.24
	0°F (-17.8°C)	TC	36118	36167	36206	36208	36256	38295	38340	38378	38386	38431	40583	40636	40681	40689	40734	43028	43075	43122	43129	43182
		S/T	0.36	0.42	0.47	0.47	0.54	0.38	0.44	0.50	0.50	0.57	0.40	0.47	0.53	0.53	0.61	0.42	0.50	0.56	0.56	0.64
		PI	4.52	4.53	4.53	4.53	4.54	4.79	4.80	4.80	4.81	4.81	5.08	5.09	5.09	5.09	5.10	5.39	5.39	5.40	5.40	5.41
	5°F (-15.0°C)	TC	37508	37558	37598	37600	37651	39768	39815	39854	39862	39910	42144	42199	42246	42253	42301	44683	44732	44780	44787	44843
		S/T	0.36	0.42	0.48	0.48	0.54	0.38	0.44	0.50	0.50	0.58	0.40	0.47	0.53	0.54	0.61	0.43	0.50	0.57	0.57	0.65
		PI	4.70	4.70	4.71	4.71	4.71	4.98	4.98	4.99	4.99	5.00	5.28	5.28	5.29	5.29	5.30	5.59	5.60	5.61	5.61	5.61
	14°F (-10.0°C)	TC	37392	37443	37483	37485	37535	39646	39693	39732	39740	39787	42014	42069	42116	42124	42171	44546	44594	44643	44650	44705
		S/T	0.36	0.42	0.48	0.48	0.54	0.38	0.45	0.51	0.51	0.58	0.40	0.47	0.54	0.54	0.61	0.43	0.50	0.57	0.57	0.65
		PI	4.60	4.60	4.61	4.61	4.62	4.87	4.88	4.89	4.89	4.89	5.17	5.17	5.18	5.18	5.19	5.48	5.48	5.49	5.49	5.50
	17°F (-8.3°C)	TC	37354	37404	37444	37446	37497	39605	39652	39691	39699	39746	41971	42026	42073	42080	42127	44500	44548	44597	44604	44659
		S/T	0.36	0.42	0.48	0.48	0.55	0.38	0.45	0.51	0.51	0.58	0.40	0.47	0.54	0.54	0.61	0.43	0.50	0.57	0.57	0.65
		PI	4.56	4.57	4.58	4.58	4.58	4.84	4.85	4.85	4.85	4.86	5.13	5.14	5.14	5.14	5.15	5.44	5.44	5.45	5.45	5.46
	23°F (-5.0°C)	TC	36749	36798	36838	36840	36889	38964	39010	39048	39056	39102	41291	41345	41391	41399	41445	43779	43827	43875	43881	43936
		S/T	0.36	0.42	0.48	0.48	0.55	0.38	0.45	0.51	0.51	0.58	0.41	0.48	0.54	0.54	0.62	0.43	0.50	0.57	0.57	0.65
		PI	4.60	4.61	4.61	4.61	4.62	4.88	4.89	4.89	4.89	4.90	5.17	5.18	5.18	5.19	5.19	5.48	5.49	5.50	5.50	5.50
35°F (1.7°C)	TC	35539	35587	35625	35627	35675	37681	37725	37763	37770	37815	39932	39984	40028	40036	40081	42338	42384	42430	42437	42490	
	S/T	0.36	0.43	0.48	0.48	0.55	0.38	0.45	0.51	0.51	0.58	0.41	0.48	0.54	0.54	0.62	0.43	0.51	0.58	0.58	0.66	
	PI	4.68	4.69	4.69	4.69	4.70	4.96	4.97	4.97	4.97	4.98	5.26	5.27	5.27	5.27	5.28	5.58	5.58	5.59	5.59	5.60	
41°F (5.0°C)	TC	35060	35107	35145	35147	35194	37173	37217	37254	37261	37305	39394	39445	39489	39496	39541	41768	41813	41858	41865	41917	
	S/T	0.36	0.43	0.48	0.48	0.55	0.39	0.45	0.51	0.51	0.59	0.41	0.48	0.54	0.54	0.62	0.43	0.51	0.58	0.58	0.66	
	PI	3.41	3.42	3.42	3.42	3.42	3.62	3.62	3.62	3.62	3.63	3.83	3.84	3.84	3.84	3.85	4.06	4.07	4.07	4.07	4.08	

Manufacturer reserves the right to change, at any time, specifications and designs without notice and without obligations.

Table 28: Cooling Performance - 60K D5CUHA + D5FUA (Sheet 2 of 8)

712	47°F (8.3°C)	TC	34581	34628	34665	34667	34714	36665	36709	36745	36752	36796	38856	38906	38950	38957	39001	41197	41242	41287	41293	41345
		S/T	0.36	0.43	0.49	0.49	0.55	0.39	0.45	0.51	0.51	0.59	0.41	0.48	0.55	0.55	0.62	0.43	0.51	0.58	0.58	0.66
		PI	2.14	2.14	2.15	2.15	2.15	2.27	2.27	2.27	2.28	2.28	2.41	2.41	2.41	2.41	2.41	2.55	2.55	2.56	2.56	2.56
	50°F (10.0°C)	TC	34524	34571	34608	34609	34656	36605	36648	36684	36692	36735	38792	38842	38885	38893	38936	41129	41174	41219	41225	41276
		S/T	0.37	0.43	0.49	0.49	0.56	0.39	0.46	0.52	0.52	0.59	0.41	0.48	0.55	0.55	0.63	0.44	0.51	0.58	0.58	0.66
		PI	2.15	2.15	2.15	2.15	2.15	2.27	2.28	2.28	2.28	2.28	2.41	2.41	2.42	2.42	2.42	2.56	2.56	2.56	2.56	2.56
	59°F (15.0°C)	TC	34353	34399	34436	34437	34484	36423	36466	36502	36509	36553	38599	38649	38692	38699	38743	40925	40969	41014	41020	41071
		S/T	0.37	0.43	0.49	0.49	0.56	0.39	0.46	0.52	0.52	0.59	0.41	0.49	0.55	0.55	0.63	0.44	0.51	0.58	0.58	0.67
		PI	2.16	2.16	2.16	2.16	2.17	2.29	2.29	2.29	2.29	2.30	2.42	2.43	2.43	2.43	2.43	2.57	2.57	2.58	2.58	2.58
	68°F (20.0°C)	TC	34181	34227	34264	34265	34312	36241	36284	36320	36327	36370	38406	38456	38499	38506	38549	40720	40765	40809	40815	40866
		S/T	0.38	0.44	0.50	0.50	0.57	0.40	0.47	0.53	0.53	0.61	0.42	0.50	0.57	0.57	0.65	0.45	0.53	0.60	0.60	0.68
		PI	2.17	2.17	2.18	2.18	2.18	2.30	2.30	2.31	2.31	2.31	2.44	2.44	2.45	2.45	2.45	2.59	2.59	2.59	2.59	2.60
	77°F (25.0°C)	TC	34010	34055	34092	34093	34139	36059	36102	36137	36145	36187	38213	38263	38306	38313	38356	40516	40560	40604	40610	40661
		S/T	0.38	0.45	0.51	0.51	0.58	0.41	0.48	0.54	0.54	0.62	0.43	0.50	0.57	0.57	0.65	0.46	0.53	0.61	0.61	0.69
		PI	2.18	2.19	2.19	2.19	2.19	2.32	2.32	2.32	2.32	2.32	2.45	2.46	2.46	2.46	2.46	2.60	2.60	2.61	2.61	2.61
	82°F (27.8°C)	TC	34313	34359	34396	34398	34444	36381	36424	36460	36467	36511	38555	38605	38648	38655	38698	40878	40922	40966	40973	41024
		S/T	0.39	0.45	0.52	0.52	0.59	0.41	0.48	0.55	0.55	0.62	0.44	0.51	0.58	0.58	0.66	0.46	0.54	0.62	0.62	0.70
		PI	2.45	2.45	2.45	2.45	2.46	2.60	2.60	2.60	2.60	2.61	2.75	2.75	2.76	2.76	2.76	2.92	2.92	2.92	2.92	2.93
	86°F (30.0°C)	TC	35059	35106	35144	35146	35193	37172	37216	37253	37260	37305	39393	39444	39488	39495	39540	41767	41812	41857	41864	41916
		S/T	0.39	0.46	0.52	0.52	0.60	0.42	0.49	0.55	0.55	0.63	0.44	0.52	0.59	0.59	0.67	0.47	0.55	0.62	0.62	0.71
		PI	2.99	2.99	2.99	2.99	3.00	3.17	3.17	3.17	3.17	3.18	3.35	3.36	3.36	3.36	3.37	3.56	3.56	3.56	3.56	3.57
	95°F (35.0°C)	TC	36738	36788	36827	36829	36879	38952	38999	39037	39045	39091	41280	41333	41379	41387	41433	43767	43814	43862	43869	43923
		S/T	0.39	0.46	0.52	0.52	0.60	0.42	0.49	0.55	0.55	0.63	0.44	0.52	0.59	0.59	0.67	0.47	0.55	0.62	0.62	0.71
		PI	4.19	4.20	4.20	4.20	4.21	4.45	4.45	4.46	4.46	4.46	4.71	4.72	4.72	4.72	4.73	5.00	5.00	5.01	5.01	5.01
104°F (40.0°C)	TC	34519	34565	34602	34604	34651	36599	36642	36678	36686	36729	38786	38836	38879	38886	38930	41122	41167	41212	41218	41270	
	S/T	0.40	0.47	0.54	0.54	0.61	0.43	0.50	0.57	0.57	0.65	0.45	0.53	0.60	0.60	0.69	0.48	0.56	0.64	0.64	0.73	
	PI	4.20	4.20	4.21	4.21	4.21	4.45	4.46	4.46	4.46	4.47	4.72	4.72	4.73	4.73	4.73	5.00	5.01	5.01	5.01	5.02	
110°F (43.0°C)	TC	33187	33231	33267	33269	33314	35187	35229	35263	35270	35312	37289	37337	37379	37386	37428	39536	39579	39622	39628	39677	
	S/T	0.42	0.49	0.56	0.56	0.63	0.44	0.52	0.59	0.59	0.67	0.47	0.55	0.62	0.62	0.71	0.50	0.58	0.66	0.66	0.76	
	PI	4.20	4.21	4.21	4.21	4.22	4.45	4.46	4.46	4.46	4.47	4.72	4.73	4.73	4.73	4.74	5.00	5.01	5.02	5.02	5.02	
115°F (46.0°C)	TC	28662	28701	28731	28733	28771	30389	30425	30455	30461	30497	32205	32247	32283	32289	32325	34145	34182	34220	34225	34268	
	S/T	0.42	0.50	0.56	0.56	0.64	0.45	0.52	0.60	0.60	0.68	0.47	0.56	0.63	0.63	0.72	0.50	0.59	0.67	0.67	0.76	
	PI	3.72	3.73	3.73	3.73	3.74	3.95	3.95	3.96	3.96	3.96	4.18	4.19	4.19	4.20	4.20	4.44	4.44	4.45	4.45	4.45	
122°F (50.0°C)	TC	22629	22659	22684	22685	22715	23993	24021	24045	24049	24078	25426	25459	25487	25492	25521	26958	26987	27017	27021	27054	
	S/T	0.43	0.51	0.58	0.58	0.66	0.46	0.54	0.61	0.61	0.70	0.49	0.57	0.65	0.65	0.74	0.51	0.60	0.69	0.69	0.78	
	PI	3.09	3.09	3.09	3.10	3.10	3.27	3.28	3.28	3.28	3.29	3.47	3.47	3.48	3.48	3.48	3.68	3.68	3.69	3.69	3.69	

Manufacturer reserves the right to change, at any time, specifications and designs without notice and without obligations.

Table 28: Cooling Performance - 60K D5CUHA + D5FUAU (Sheet 3 of 8)

806	-22°F (-30.0°C)	TC	33247	33292	33328	33329	33374	35251	35293	35328	35335	35377	37357	37406	37447	37454	37496	39608	39651	39694	39700	39750
		S/T	0.39	0.45	0.52	0.52	0.59	0.41	0.48	0.55	0.55	0.62	0.44	0.51	0.58	0.58	0.66	0.46	0.54	0.62	0.62	0.70
		PI	4.16	4.17	4.17	4.17	4.18	4.41	4.42	4.42	4.42	4.43	4.68	4.68	4.69	4.69	4.69	4.96	4.96	4.97	4.97	4.98
	-13°F (-25.0°C)	TC	36018	36066	36105	36107	36156	38189	38234	38272	38279	38325	40470	40523	40568	40575	40621	42909	42955	43002	43009	43062
		S/T	0.39	0.46	0.52	0.52	0.59	0.41	0.49	0.55	0.55	0.63	0.44	0.51	0.58	0.58	0.67	0.46	0.55	0.62	0.62	0.71
		PI	4.51	4.52	4.52	4.52	4.53	4.78	4.79	4.79	4.79	4.80	5.07	5.07	5.08	5.08	5.09	5.37	5.38	5.38	5.38	5.39
	-4°F (-20.0°C)	TC	38789	38841	38883	38884	38937	41126	41175	41216	41224	41273	43583	43640	43689	43697	43745	46209	46260	46310	46317	46375
		S/T	0.39	0.46	0.52	0.52	0.60	0.42	0.49	0.55	0.55	0.63	0.44	0.52	0.59	0.59	0.67	0.47	0.55	0.62	0.62	0.71
		PI	4.86	4.86	4.87	4.87	4.87	5.15	5.16	5.16	5.16	5.17	5.46	5.46	5.47	5.47	5.48	5.79	5.79	5.80	5.80	5.81
	0°F (-17.8°C)	TC	40020	40074	40117	40119	40173	42432	42482	42524	42532	42583	44967	45025	45075	45084	45134	47676	47728	47780	47787	47847
		S/T	0.39	0.46	0.52	0.52	0.60	0.42	0.49	0.56	0.56	0.63	0.44	0.52	0.59	0.59	0.67	0.47	0.55	0.63	0.63	0.71
		PI	5.01	5.02	5.02	5.02	5.03	5.31	5.32	5.32	5.33	5.33	5.63	5.64	5.64	5.64	5.65	5.97	5.98	5.98	5.98	5.99
	5°F (-15.0°C)	TC	41559	41615	41660	41662	41718	44064	44116	44160	44168	44221	46696	46757	46809	46818	46870	49510	49564	49618	49625	49687
		S/T	0.40	0.46	0.53	0.53	0.60	0.42	0.49	0.56	0.56	0.64	0.44	0.52	0.59	0.59	0.68	0.47	0.55	0.63	0.63	0.72
		PI	5.20	5.21	5.22	5.22	5.22	5.52	5.52	5.53	5.53	5.54	5.85	5.85	5.86	5.86	5.87	6.20	6.21	6.21	6.21	6.22
	14°F (-10.0°C)	TC	41432	41487	41532	41534	41590	43928	43980	44024	44033	44085	46553	46613	46665	46674	46726	49358	49411	49465	49473	49535
		S/T	0.40	0.47	0.53	0.53	0.60	0.42	0.49	0.56	0.56	0.64	0.45	0.52	0.59	0.59	0.68	0.47	0.55	0.63	0.63	0.72
		PI	5.09	5.10	5.11	5.11	5.11	5.40	5.41	5.41	5.41	5.42	5.72	5.73	5.74	5.74	5.75	6.07	6.08	6.08	6.08	6.09
	17°F (-8.3°C)	TC	41389	41445	41489	41491	41547	43883	43935	43979	43987	44040	46505	46565	46617	46626	46678	49307	49361	49414	49422	49484
		S/T	0.40	0.47	0.53	0.53	0.60	0.42	0.49	0.56	0.56	0.64	0.45	0.52	0.60	0.60	0.68	0.47	0.56	0.63	0.63	0.72
		PI	5.06	5.06	5.07	5.07	5.08	5.36	5.37	5.37	5.38	5.38	5.68	5.69	5.70	5.70	5.70	6.03	6.03	6.04	6.04	6.05
	23°F (-5.0°C)	TC	40719	40773	40817	40819	40874	43173	43224	43266	43275	43326	45752	45811	45862	45871	45922	48509	48561	48614	48622	48682
		S/T	0.40	0.47	0.53	0.53	0.61	0.42	0.50	0.56	0.56	0.64	0.45	0.53	0.60	0.60	0.68	0.48	0.56	0.63	0.63	0.72
		PI	5.10	5.11	5.11	5.11	5.12	5.41	5.41	5.42	5.42	5.43	5.73	5.74	5.74	5.75	5.75	6.08	6.08	6.09	6.09	6.10
35°F (1.7°C)	TC	39378	39431	39473	39475	39528	41751	41801	41842	41850	41900	44246	44303	44352	44361	44410	46911	46962	47014	47021	47079	
	S/T	0.40	0.47	0.54	0.54	0.61	0.43	0.50	0.57	0.57	0.65	0.45	0.53	0.60	0.60	0.69	0.48	0.56	0.64	0.64	0.73	
	PI	5.19	5.19	5.20	5.20	5.21	5.50	5.50	5.51	5.51	5.52	5.83	5.83	5.84	5.84	5.85	6.18	6.18	6.19	6.19	6.20	
41°F (5.0°C)	TC	38848	38900	38942	38943	38996	41189	41237	41278	41286	41335	43649	43706	43755	43763	43812	46279	46330	46380	46387	46445	
	S/T	0.40	0.47	0.54	0.54	0.61	0.43	0.50	0.57	0.57	0.65	0.45	0.53	0.60	0.60	0.69	0.48	0.56	0.64	0.64	0.73	
	PI	3.78	3.78	3.79	3.79	3.79	4.01	4.01	4.02	4.02	4.02	4.25	4.25	4.26	4.26	4.26	4.50	4.51	4.51	4.51	4.52	
47°F (8.3°C)	TC	38317	38369	38410	38412	38463	40626	40674	40714	40723	40771	43053	43109	43157	43165	43214	45647	45697	45747	45754	45811	
	S/T	0.40	0.47	0.54	0.54	0.61	0.43	0.50	0.57	0.57	0.65	0.45	0.53	0.60	0.60	0.69	0.48	0.56	0.64	0.64	0.73	
	PI	2.37	2.38	2.38	2.38	2.38	2.51	2.52	2.52	2.52	2.52	2.67	2.67	2.67	2.67	2.68	2.83	2.83	2.83	2.83	2.84	
50°F (10.0°C)	TC	38254	38305	38346	38348	38400	40559	40607	40647	40655	40703	42982	43038	43086	43094	43142	45572	45621	45671	45678	45735	
	S/T	0.41	0.48	0.54	0.54	0.62	0.43	0.50	0.57	0.57	0.65	0.46	0.53	0.61	0.61	0.69	0.48	0.57	0.64	0.64	0.73	
	PI	2.38	2.38	2.38	2.38	2.39	2.52	2.52	2.53	2.53	2.53	2.67	2.67	2.68	2.68	2.68	2.83	2.83	2.84	2.84	2.84	

Manufacturer reserves the right to change, at any time, specifications and designs without notice and without obligations.

Table 28: Cooling Performance - 60K D5CUHA + D5FUA (Sheet 4 of 8)

806	59°F (15.0°C)	TC	38064	38115	38156	38158	38209	40357	40405	40445	40453	40501	42769	42824	42872	42880	42928	45345	45395	45444	45451	45508
		S/T	0.41	0.48	0.54	0.54	0.62	0.43	0.51	0.58	0.58	0.66	0.46	0.54	0.61	0.61	0.70	0.49	0.57	0.65	0.65	0.74
		PI	2.39	2.39	2.40	2.40	2.40	2.54	2.54	2.54	2.54	2.54	2.69	2.69	2.69	2.69	2.70	2.85	2.85	2.85	2.86	2.86
	68°F (20.0°C)	TC	37873	37924	37965	37967	38018	40156	40203	40243	40251	40299	42555	42610	42658	42666	42713	45119	45168	45217	45224	45281
		S/T	0.42	0.49	0.56	0.56	0.64	0.44	0.52	0.59	0.59	0.67	0.47	0.55	0.63	0.63	0.71	0.50	0.59	0.66	0.66	0.76
		PI	2.41	2.41	2.41	2.41	2.41	2.55	2.55	2.56	2.56	2.56	2.70	2.71	2.71	2.71	2.71	2.87	2.87	2.87	2.87	2.88
	77°F (25.0°C)	TC	37683	37734	37775	37776	37827	39954	40002	40041	40049	40097	42341	42396	42444	42451	42499	44893	44941	44990	44997	45053
		S/T	0.42	0.50	0.57	0.57	0.64	0.45	0.53	0.60	0.60	0.68	0.48	0.56	0.64	0.64	0.72	0.51	0.59	0.67	0.67	0.77
		PI	2.42	2.42	2.43	2.43	2.43	2.57	2.57	2.57	2.57	2.57	2.72	2.72	2.73	2.73	2.73	2.88	2.89	2.89	2.89	2.89
	82°F (27.8°C)	TC	38020	38071	38112	38114	38165	40311	40359	40399	40407	40455	42719	42775	42822	42830	42878	45293	45342	45392	45399	45455
		S/T	0.43	0.50	0.57	0.57	0.65	0.46	0.53	0.61	0.61	0.69	0.48	0.57	0.64	0.64	0.73	0.51	0.60	0.68	0.68	0.78
		PI	2.71	2.72	2.72	2.72	2.72	2.88	2.88	2.88	2.88	2.89	3.05	3.05	3.06	3.06	3.06	3.23	3.24	3.24	3.24	3.24
	86°F (30.0°C)	TC	38847	38899	38941	38942	38995	41188	41236	41277	41285	41334	43648	43705	43754	43762	43811	46278	46329	46379	46386	46444
		S/T	0.43	0.51	0.58	0.58	0.66	0.46	0.54	0.61	0.61	0.70	0.49	0.57	0.65	0.65	0.74	0.52	0.61	0.69	0.69	0.79
		PI	3.31	3.31	3.32	3.32	3.32	3.51	3.51	3.51	3.52	3.52	3.72	3.72	3.73	3.73	3.73	3.94	3.95	3.95	3.95	3.95
	95°F (35.0°C)	TC	40707	40762	40806	40807	40862	43160	43211	43254	43262	43314	45739	45798	45849	45858	45909	48495	48547	48600	48608	48668
		S/T	0.43	0.51	0.58	0.58	0.66	0.46	0.54	0.61	0.61	0.70	0.49	0.57	0.65	0.65	0.74	0.52	0.61	0.69	0.69	0.79
		PI	4.65	4.65	4.66	4.66	4.66	4.93	4.93	4.94	4.94	4.94	5.22	5.23	5.23	5.23	5.24	5.54	5.54	5.55	5.55	5.56
	104°F (40.0°C)	TC	38247	38299	38340	38342	38394	40552	40600	40641	40649	40697	42975	43031	43079	43087	43135	45565	45614	45664	45671	45728
		S/T	0.45	0.52	0.59	0.59	0.68	0.47	0.55	0.63	0.63	0.72	0.50	0.59	0.67	0.67	0.76	0.53	0.62	0.71	0.71	0.81
		PI	4.65	4.66	4.66	4.66	4.67	4.93	4.94	4.94	4.94	4.95	5.23	5.23	5.24	5.24	5.25	5.54	5.55	5.55	5.55	5.56
	110°F (43.0°C)	TC	36772	36821	36861	36863	36912	38988	39034	39073	39080	39127	41317	41371	41417	41425	41471	43807	43854	43902	43909	43963
		S/T	0.46	0.54	0.62	0.62	0.70	0.49	0.57	0.65	0.65	0.74	0.52	0.61	0.69	0.69	0.79	0.55	0.65	0.73	0.73	0.84
		PI	4.65	4.66	4.67	4.67	4.67	4.94	4.94	4.95	4.95	4.95	5.23	5.24	5.24	5.24	5.25	5.55	5.55	5.56	5.56	5.57
115°F (46.0°C)	TC	31758	31801	31835	31837	31879	33672	33712	33745	33752	33792	35684	35730	35770	35777	35816	37834	37875	37916	37922	37969	
	S/T	0.47	0.55	0.62	0.62	0.71	0.50	0.58	0.66	0.66	0.75	0.53	0.62	0.70	0.70	0.80	0.56	0.65	0.74	0.74	0.85	
	PI	4.13	4.13	4.14	4.14	4.14	4.37	4.38	4.38	4.39	4.39	4.64	4.64	4.65	4.65	4.65	4.92	4.92	4.93	4.93	4.93	
122°F (50.0°C)	TC	25073	25107	25134	25135	25169	26584	26616	26642	26647	26679	28173	28209	28241	28246	28277	29870	29902	29935	29940	29977	
	S/T	0.48	0.56	0.64	0.64	0.73	0.51	0.60	0.68	0.68	0.77	0.54	0.63	0.72	0.72	0.82	0.57	0.67	0.76	0.76	0.87	
	PI	3.42	3.43	3.43	3.43	3.43	3.63	3.63	3.63	3.64	3.64	3.84	3.85	3.85	3.85	3.86	4.08	4.08	4.08	4.08	4.09	
894	-22°F (-30.0°C)	TC	36839	36888	36928	36930	36980	39059	39105	39144	39152	39198	41393	41446	41492	41500	41547	43887	43934	43982	43989	44044
		S/T	0.43	0.50	0.57	0.57	0.65	0.46	0.53	0.61	0.61	0.69	0.48	0.57	0.64	0.64	0.73	0.51	0.60	0.68	0.68	0.78
		PI	4.61	4.62	4.62	4.62	4.63	4.89	4.90	4.90	4.90	4.91	5.18	5.19	5.19	5.20	5.20	5.49	5.50	5.51	5.51	5.51
	-13°F (-25.0°C)	TC	39909	39962	40006	40007	40061	42314	42364	42406	42414	42465	44842	44900	44950	44959	45009	47544	47595	47647	47655	47714
		S/T	0.43	0.51	0.58	0.58	0.66	0.46	0.54	0.61	0.61	0.70	0.49	0.57	0.65	0.65	0.74	0.52	0.60	0.69	0.69	0.78
		PI	5.00	5.00	5.01	5.01	5.02	5.30	5.30	5.31	5.31	5.32	5.61	5.62	5.63	5.63	5.64	5.95	5.96	5.97	5.97	5.97

Manufacturer reserves the right to change, at any time, specifications and designs without notice and without obligations.

Table 28: Cooling Performance - 60K D5CUHA + D5FUAU (Sheet 5 of 8)

894	-4°F (-20.0°C)	TC	42979	43037	43083	43085	43143	45569	45623	45668	45677	45731	48291	48354	48408	48417	48471	51201	51257	51312	51320	51384
		S/T	0.44	0.51	0.58	0.58	0.66	0.46	0.54	0.61	0.61	0.70	0.49	0.57	0.65	0.65	0.74	0.52	0.61	0.69	0.69	0.79
		PI	5.38	5.39	5.39	5.39	5.40	5.71	5.71	5.72	5.72	5.73	6.05	6.05	6.06	6.06	6.07	6.41	6.42	6.42	6.43	6.43
	0°F (-17.8°C)	TC	44343	44403	44451	44453	44513	47015	47071	47118	47127	47183	49824	49889	49945	49954	50010	52826	52884	52941	52950	53016
		S/T	0.44	0.51	0.58	0.58	0.66	0.46	0.54	0.62	0.62	0.70	0.49	0.58	0.65	0.65	0.75	0.52	0.61	0.69	0.69	0.79
		PI	5.55	5.56	5.57	5.57	5.57	5.89	5.89	5.90	5.90	5.91	6.24	6.25	6.25	6.25	6.26	6.61	6.62	6.63	6.63	6.64
	5°F (-15.0°C)	TC	46049	46111	46160	46162	46225	48824	48882	48930	48940	48998	51741	51808	51866	51875	51933	54858	54918	54978	54986	55055
		S/T	0.44	0.51	0.58	0.58	0.67	0.46	0.55	0.62	0.62	0.71	0.49	0.58	0.66	0.66	0.75	0.52	0.61	0.70	0.70	0.79
		PI	5.77	5.77	5.78	5.78	5.79	6.11	6.12	6.13	6.13	6.13	6.48	6.49	6.49	6.49	6.50	6.87	6.88	6.88	6.88	6.89
	14°F (-10.0°C)	TC	45907	45969	46018	46020	46083	48674	48731	48779	48789	48847	51582	51649	51706	51716	51774	54690	54749	54809	54817	54885
		S/T	0.44	0.52	0.59	0.59	0.67	0.47	0.55	0.62	0.62	0.71	0.49	0.58	0.66	0.66	0.75	0.52	0.61	0.70	0.70	0.80
		PI	5.64	5.65	5.66	5.66	5.67	5.98	5.99	6.00	6.00	6.01	6.34	6.35	6.36	6.36	6.37	6.72	6.73	6.74	6.74	6.75
	17°F (-8.3°C)	TC	45860	45922	45971	45973	46035	48624	48681	48729	48739	48797	51529	51596	51653	51663	51720	54633	54693	54752	54761	54829
		S/T	0.44	0.52	0.59	0.59	0.67	0.47	0.55	0.62	0.62	0.71	0.50	0.58	0.66	0.66	0.75	0.52	0.62	0.70	0.70	0.80
		PI	5.60	5.61	5.62	5.62	5.63	5.94	5.95	5.95	5.96	5.96	6.30	6.31	6.31	6.31	6.32	6.68	6.68	6.69	6.69	6.70
	23°F (-5.0°C)	TC	45117	45178	45227	45229	45290	47836	47893	47940	47950	48007	50694	50760	50817	50826	50883	53749	53807	53866	53874	53941
		S/T	0.44	0.52	0.59	0.59	0.67	0.47	0.55	0.63	0.63	0.71	0.50	0.58	0.66	0.66	0.76	0.53	0.62	0.70	0.70	0.80
		PI	5.65	5.66	5.67	5.67	5.67	5.99	6.00	6.01	6.01	6.01	6.35	6.36	6.37	6.37	6.37	6.73	6.74	6.75	6.75	6.76
	35°F (1.7°C)	TC	43632	43690	43738	43739	43798	46261	46316	46362	46371	46426	49025	49089	49143	49153	49207	51979	52035	52092	52100	52165
		S/T	0.45	0.52	0.59	0.59	0.68	0.47	0.55	0.63	0.63	0.72	0.50	0.59	0.67	0.67	0.76	0.53	0.62	0.71	0.71	0.81
		PI	5.75	5.75	5.76	5.76	5.77	6.09	6.10	6.11	6.11	6.11	6.46	6.46	6.47	6.47	6.48	6.85	6.85	6.86	6.86	6.87
	41°F (5.0°C)	TC	43044	43102	43148	43150	43208	45638	45692	45737	45746	45801	48365	48427	48481	48490	48545	51279	51334	51390	51398	51462
		S/T	0.45	0.52	0.59	0.59	0.68	0.47	0.55	0.63	0.63	0.72	0.50	0.59	0.67	0.67	0.76	0.53	0.62	0.71	0.71	0.81
		PI	4.19	4.19	4.20	4.20	4.20	4.44	4.44	4.45	4.45	4.46	4.70	4.71	4.72	4.72	4.72	4.99	4.99	5.00	5.00	5.01
47°F (8.3°C)	TC	42456	42513	42559	42561	42618	45015	45068	45113	45122	45175	47704	47766	47819	47828	47882	50578	50633	50689	50696	50760	
	S/T	0.45	0.52	0.60	0.60	0.68	0.47	0.56	0.63	0.63	0.72	0.50	0.59	0.67	0.67	0.76	0.53	0.63	0.71	0.71	0.81	
	PI	2.63	2.63	2.63	2.63	2.64	2.79	2.79	2.79	2.79	2.80	2.95	2.96	2.96	2.96	2.96	3.13	3.13	3.14	3.14	3.14	
50°F (10.0°C)	TC	42386	42443	42489	42491	42548	44940	44994	45038	45047	45100	47625	47687	47740	47749	47802	50495	50550	50605	50613	50676	
	S/T	0.45	0.53	0.60	0.60	0.68	0.48	0.56	0.64	0.64	0.72	0.51	0.59	0.67	0.67	0.77	0.54	0.63	0.71	0.71	0.81	
	PI	2.63	2.64	2.64	2.64	2.64	2.79	2.80	2.80	2.80	2.80	2.96	2.96	2.97	2.97	2.97	3.14	3.14	3.14	3.14	3.15	
59°F (15.0°C)	TC	42175	42232	42278	42279	42336	44717	44770	44814	44823	44876	47389	47450	47503	47512	47565	50244	50298	50353	50361	50424	
	S/T	0.45	0.53	0.60	0.60	0.69	0.48	0.56	0.64	0.64	0.73	0.51	0.60	0.68	0.68	0.77	0.54	0.63	0.72	0.72	0.82	
	PI	2.65	2.65	2.66	2.66	2.66	2.81	2.81	2.82	2.82	2.82	2.98	2.98	2.98	2.98	2.99	3.16	3.16	3.16	3.16	3.17	
68°F (20.0°C)	TC	41965	42021	42066	42068	42125	44494	44546	44590	44599	44652	47152	47213	47266	47275	47327	49993	50047	50102	50109	50172	
	S/T	0.46	0.54	0.62	0.62	0.71	0.49	0.58	0.66	0.66	0.75	0.52	0.61	0.69	0.70	0.79	0.55	0.65	0.74	0.74	0.84	
	PI	2.67	2.67	2.67	2.67	2.68	2.83	2.83	2.83	2.83	2.84	2.99	3.00	3.00	3.00	3.01	3.18	3.18	3.18	3.18	3.19	

Manufacturer reserves the right to change, at any time, specifications and designs without notice and without obligations.

Table 28: Cooling Performance - 60K D5CUHA + D5FUAU (Sheet 6 of 8)

894	77°F (25.0°C)	TC	41754	41810	41855	41857	41914	44270	44323	44367	44375	44428	46915	46976	47028	47037	47090	49742	49796	49850	49858	49920
		S/T	0.47	0.55	0.63	0.63	0.71	0.50	0.58	0.66	0.66	0.76	0.53	0.62	0.70	0.70	0.80	0.56	0.66	0.75	0.75	0.85
		PI	2.68	2.68	2.69	2.69	2.69	2.84	2.85	2.85	2.85	2.85	3.01	3.02	3.02	3.02	3.02	3.19	3.20	3.20	3.20	3.21
	82°F (27.8°C)	TC	42127	42183	42229	42231	42288	44665	44718	44763	44771	44825	47334	47395	47448	47457	47510	50186	50241	50295	50303	50366
		S/T	0.48	0.56	0.63	0.63	0.72	0.50	0.59	0.67	0.67	0.77	0.53	0.63	0.71	0.71	0.81	0.57	0.67	0.76	0.76	0.86
		PI	3.01	3.01	3.01	3.01	3.02	3.19	3.19	3.19	3.19	3.20	3.38	3.38	3.39	3.39	3.39	3.58	3.59	3.59	3.59	3.59
	86°F (30.0°C)	TC	43043	43101	43147	43149	43207	45637	45691	45736	45745	45799	48363	48426	48480	48489	48543	51277	51333	51389	51397	51461
		S/T	0.48	0.57	0.64	0.64	0.73	0.51	0.60	0.68	0.68	0.78	0.54	0.64	0.72	0.72	0.82	0.57	0.67	0.77	0.77	0.87
		PI	3.67	3.67	3.67	3.67	3.68	3.89	3.89	3.89	3.90	3.90	4.12	4.12	4.13	4.13	4.13	4.37	4.37	4.38	4.38	4.38
	95°F (35.0°C)	TC	45104	45165	45214	45216	45277	47822	47879	47926	47936	47993	50680	50745	50802	50811	50868	53733	53792	53850	53858	53926
		S/T	0.48	0.57	0.64	0.64	0.73	0.51	0.60	0.68	0.68	0.78	0.54	0.64	0.72	0.72	0.82	0.57	0.67	0.77	0.77	0.87
		PI	5.15	5.16	5.16	5.16	5.17	5.46	5.47	5.47	5.47	5.48	5.78	5.79	5.80	5.80	5.81	6.13	6.14	6.15	6.15	6.16
	104°F (40.0°C)	TC	42379	42436	42482	42484	42541	44933	44986	45031	45040	45093	47618	47679	47733	47741	47795	50487	50542	50597	50604	50667
		S/T	0.49	0.58	0.66	0.66	0.75	0.52	0.61	0.70	0.70	0.80	0.56	0.65	0.74	0.74	0.84	0.59	0.69	0.78	0.78	0.89
		PI	5.15	5.16	5.17	5.17	5.17	5.46	5.47	5.48	5.48	5.48	5.79	5.80	5.81	5.81	5.81	6.14	6.15	6.15	6.15	6.16
	110°F (43.0°C)	TC	40744	40799	40843	40845	40900	43199	43251	43293	43302	43353	45780	45840	45891	45899	45951	48539	48591	48644	48652	48713
		S/T	0.51	0.60	0.68	0.68	0.78	0.54	0.64	0.72	0.72	0.83	0.58	0.68	0.77	0.77	0.87	0.61	0.72	0.81	0.81	0.93
		PI	5.16	5.16	5.17	5.17	5.18	5.47	5.48	5.48	5.48	5.49	5.80	5.80	5.81	5.81	5.82	6.14	6.15	6.16	6.16	6.17
	115°F (46.0°C)	TC	35189	35236	35274	35276	35323	37309	37354	37390	37398	37442	39538	39590	39634	39641	39686	41921	41966	42012	42018	42071
		S/T	0.52	0.61	0.69	0.69	0.79	0.55	0.64	0.73	0.73	0.83	0.58	0.68	0.78	0.78	0.88	0.62	0.72	0.82	0.82	0.94
		PI	4.57	4.58	4.58	4.58	4.59	4.85	4.85	4.86	4.86	4.86	5.14	5.14	5.15	5.15	5.16	5.45	5.45	5.46	5.46	5.47
	122°F (50.0°C)	TC	27782	27819	27849	27850	27888	29456	29491	29520	29526	29561	31216	31256	31291	31297	31332	33097	33133	33169	33174	33215
		S/T	0.53	0.62	0.71	0.71	0.81	0.56	0.66	0.75	0.75	0.85	0.60	0.70	0.79	0.79	0.91	0.63	0.74	0.84	0.84	0.96
		PI	3.79	3.80	3.80	3.80	3.80	4.02	4.02	4.03	4.03	4.03	4.26	4.26	4.27	4.27	4.27	4.52	4.52	4.53	4.53	4.53
988	-22°F (-30.0°C)	TC	40818	40873	40917	40919	40974	43278	43330	43372	43381	43432	45864	45923	45975	45983	46035	48627	48680	48733	48741	48801
		S/T	0.48	0.56	0.63	0.63	0.72	0.50	0.59	0.67	0.67	0.77	0.53	0.63	0.71	0.71	0.81	0.57	0.67	0.76	0.76	0.86
		PI	5.11	5.12	5.12	5.12	5.13	5.42	5.42	5.43	5.43	5.44	5.74	5.75	5.76	5.76	5.76	6.09	6.09	6.10	6.10	6.11
	-13°F (-25.0°C)	TC	44220	44279	44327	44329	44389	46885	46940	46987	46996	47052	49686	49750	49806	49815	49871	52680	52737	52794	52802	52868
		S/T	0.48	0.56	0.64	0.64	0.73	0.51	0.60	0.68	0.68	0.77	0.54	0.63	0.72	0.72	0.82	0.57	0.67	0.76	0.76	0.87
		PI	5.54	5.54	5.55	5.55	5.56	5.87	5.88	5.88	5.88	5.89	6.22	6.23	6.24	6.24	6.24	6.60	6.60	6.61	6.61	6.62
	-4°F (-20.0°C)	TC	47621	47685	47737	47739	47803	50491	50551	50601	50611	50671	53508	53577	53637	53647	53707	56732	56794	56855	56864	56935
		S/T	0.48	0.57	0.64	0.64	0.73	0.51	0.60	0.68	0.68	0.78	0.54	0.64	0.72	0.72	0.82	0.57	0.67	0.77	0.77	0.87
		PI	5.96	5.97	5.98	5.98	5.98	6.32	6.33	6.34	6.34	6.34	6.70	6.71	6.72	6.72	6.72	7.10	7.11	7.12	7.12	7.13
	0°F (-17.8°C)	TC	49133	49199	49252	49254	49321	52094	52156	52207	52218	52280	55207	55278	55340	55350	55412	58533	58596	58660	58669	58742
		S/T	0.48	0.57	0.64	0.64	0.73	0.51	0.60	0.68	0.68	0.78	0.54	0.64	0.72	0.72	0.83	0.58	0.68	0.77	0.77	0.88
		PI	6.15	6.16	6.17	6.17	6.17	6.52	6.53	6.54	6.54	6.55	6.91	6.92	6.93	6.93	6.94	7.33	7.34	7.34	7.35	7.35

Manufacturer reserves the right to change, at any time, specifications and designs without notice and without obligations.

Table 28: Cooling Performance - 60K D5CUHA + D5FUA (Sheet 7 of 8)

898	5°F (-15.0°C)	TC	51023	51092	51147	51149	51218	54098	54162	54215	54226	54290	57330	57404	57468	57479	57543	60784	60850	60916	60926	61002
		S/T	0.49	0.57	0.65	0.65	0.74	0.51	0.60	0.69	0.69	0.78	0.55	0.64	0.73	0.73	0.83	0.58	0.68	0.77	0.77	0.88
		PI	6.39	6.40	6.40	6.40	6.41	6.77	6.78	6.79	6.79	6.80	7.18	7.19	7.20	7.20	7.20	7.61	7.62	7.63	7.63	7.64
	14°F (-10.0°C)	TC	50866	50935	50989	50992	51060	53932	53995	54049	54059	54124	57154	57228	57292	57302	57366	60597	60663	60729	60739	60814
		S/T	0.49	0.57	0.65	0.65	0.74	0.52	0.61	0.69	0.69	0.78	0.55	0.64	0.73	0.73	0.83	0.58	0.68	0.77	0.77	0.88
		PI	6.25	6.26	6.27	6.27	6.28	6.63	6.64	6.65	6.65	6.65	7.03	7.04	7.04	7.05	7.05	7.45	7.46	7.47	7.47	7.48
	17°F (-8.3°C)	TC	50814	50882	50937	50939	51008	53876	53940	53993	54004	54068	57095	57169	57233	57244	57307	60535	60601	60667	60676	60752
		S/T	0.49	0.57	0.65	0.65	0.74	0.52	0.61	0.69	0.69	0.79	0.55	0.64	0.73	0.73	0.83	0.58	0.68	0.78	0.78	0.88
		PI	6.21	6.22	6.22	6.22	6.23	6.58	6.59	6.60	6.60	6.61	6.98	6.99	6.99	7.00	7.00	7.40	7.41	7.41	7.41	7.42
	23°F (-5.0°C)	TC	49991	50058	50112	50114	50182	53004	53066	53119	53129	53192	56170	56243	56306	56316	56379	59555	59619	59684	59694	59768
		S/T	0.49	0.58	0.65	0.65	0.75	0.52	0.61	0.69	0.69	0.79	0.55	0.65	0.74	0.74	0.84	0.58	0.69	0.78	0.78	0.89
		PI	6.26	6.27	6.28	6.28	6.29	6.64	6.65	6.65	6.66	6.66	7.04	7.05	7.05	7.05	7.06	7.46	7.47	7.48	7.48	7.49
	35°F (1.7°C)	TC	48345	48410	48462	48464	48530	51259	51319	51370	51380	51441	54321	54391	54452	54462	54523	57594	57656	57719	57728	57800
		S/T	0.49	0.58	0.66	0.66	0.75	0.52	0.61	0.70	0.70	0.79	0.55	0.65	0.74	0.74	0.84	0.59	0.69	0.78	0.78	0.89
		PI	6.37	6.38	6.38	6.38	6.39	6.75	6.76	6.77	6.77	6.77	7.15	7.16	7.17	7.17	7.18	7.58	7.59	7.60	7.60	7.61
	41°F (5.0°C)	TC	47694	47758	47809	47811	47876	50568	50628	50678	50688	50748	53589	53659	53719	53729	53788	56818	56880	56942	56950	57021
		S/T	0.49	0.58	0.66	0.66	0.75	0.52	0.61	0.70	0.70	0.80	0.56	0.65	0.74	0.74	0.84	0.59	0.69	0.78	0.78	0.89
		PI	4.64	4.65	4.65	4.65	4.66	4.92	4.92	4.93	4.93	4.94	5.21	5.22	5.23	5.23	5.23	5.53	5.53	5.54	5.54	5.55
	47°F (8.3°C)	TC	47042	47106	47156	47159	47222	49877	49936	49986	49996	50055	52857	52926	52985	52995	53054	56042	56103	56164	56173	56243
		S/T	0.50	0.58	0.66	0.66	0.75	0.53	0.62	0.70	0.70	0.80	0.56	0.65	0.74	0.74	0.85	0.59	0.69	0.79	0.79	0.90
		PI	2.91	2.92	2.92	2.92	2.92	3.09	3.09	3.09	3.09	3.10	3.27	3.28	3.28	3.28	3.28	3.47	3.47	3.48	3.48	3.48
	50°F (10.0°C)	TC	46965	47028	47078	47081	47144	49795	49854	49903	49913	49972	52770	52838	52897	52907	52966	55949	56010	56071	56080	56150
		S/T	0.50	0.58	0.66	0.66	0.76	0.53	0.62	0.70	0.70	0.80	0.56	0.66	0.75	0.75	0.85	0.59	0.70	0.79	0.79	0.90
		PI	2.92	2.92	2.93	2.93	2.93	3.09	3.10	3.10	3.10	3.10	3.28	3.28	3.29	3.29	3.29	3.48	3.48	3.48	3.48	3.49
59°F (15.0°C)	TC	46731	46794	46844	46847	46910	49547	49606	49655	49665	49724	52508	52576	52634	52644	52703	55671	55732	55793	55801	55871	
	S/T	0.50	0.59	0.67	0.67	0.76	0.53	0.62	0.71	0.71	0.81	0.56	0.66	0.75	0.75	0.86	0.60	0.70	0.80	0.80	0.91	
	PI	2.94	2.94	2.94	2.94	2.95	3.11	3.12	3.12	3.12	3.12	3.30	3.30	3.31	3.31	3.31	3.50	3.50	3.50	3.51	3.51	
68°F (20.0°C)	TC	46498	46560	46610	46613	46675	49300	49358	49407	49417	49476	52245	52313	52372	52381	52440	55393	55453	55514	55522	55592	
	S/T	0.51	0.60	0.69	0.69	0.78	0.54	0.64	0.73	0.73	0.83	0.58	0.68	0.77	0.77	0.88	0.61	0.72	0.82	0.82	0.93	
	PI	2.95	2.96	2.96	2.96	2.96	3.13	3.13	3.14	3.14	3.14	3.32	3.32	3.33	3.33	3.33	3.52	3.52	3.53	3.53	3.53	
77°F (25.0°C)	TC	46264	46327	46377	46379	46441	49053	49111	49159	49169	49227	51983	52051	52109	52118	52177	55115	55175	55235	55244	55313	
	S/T	0.52	0.61	0.69	0.69	0.79	0.55	0.65	0.74	0.74	0.84	0.59	0.69	0.78	0.78	0.89	0.62	0.73	0.83	0.83	0.94	
	PI	2.97	2.97	2.98	2.98	2.98	3.15	3.15	3.16	3.16	3.16	3.34	3.34	3.35	3.35	3.35	3.54	3.54	3.55	3.55	3.55	
82°F (27.8°C)	TC	46677	46740	46791	46793	46856	49490	49549	49598	49608	49667	52447	52515	52574	52584	52642	55607	55668	55728	55737	55806	
	S/T	0.53	0.62	0.70	0.70	0.80	0.56	0.66	0.75	0.75	0.85	0.59	0.70	0.79	0.79	0.90	0.63	0.74	0.84	0.84	0.95	
	PI	3.33	3.34	3.34	3.34	3.34	3.53	3.54	3.54	3.54	3.54	3.74	3.75	3.75	3.75	3.76	3.97	3.97	3.98	3.98	3.98	

Manufacturer reserves the right to change, at any time, specifications and designs without notice and without obligations.

Table 28: Cooling Performance - 60K D5CUHA + D5FUA (Sheet 8 of 8)

898	86°F (30.0°C)	TC	47693	47757	47808	47810	47875	50567	50627	50677	50687	50747	53588	53657	53717	53727	53787	56817	56878	56940	56949	57020
		S/T	0.53	0.63	0.71	0.71	0.81	0.57	0.66	0.75	0.75	0.86	0.60	0.70	0.80	0.80	0.91	0.64	0.75	0.85	0.85	0.97
		PI	4.06	4.07	4.07	4.07	4.08	4.31	4.31	4.32	4.32	4.32	4.56	4.57	4.57	4.58	4.58	4.84	4.84	4.85	4.85	4.86
	95°F (35.0°C)	TC	49977	50044	50098	50100	50167	52988	53051	53104	53114	53177	56154	56227	56290	56300	56363	59538	59602	59667	59676	59751
		S/T	0.53	0.63	0.71	0.71	0.81	0.57	0.66	0.75	0.75	0.86	0.60	0.70	0.80	0.80	0.91	0.64	0.75	0.85	0.85	0.97
		PI	5.70	5.71	5.72	5.72	5.73	6.05	6.06	6.06	6.06	6.07	6.41	6.42	6.43	6.43	6.43	6.80	6.80	6.81	6.81	6.82
	104°F (40.0°C)	TC	46957	47020	47071	47073	47136	49787	49846	49895	49905	49964	52761	52830	52889	52899	52958	55940	56001	56062	56071	56141
		S/T	0.55	0.64	0.73	0.73	0.83	0.58	0.68	0.77	0.77	0.88	0.62	0.72	0.82	0.82	0.93	0.65	0.76	0.87	0.87	0.99
		PI	5.71	5.72	5.72	5.73	5.73	6.06	6.06	6.07	6.07	6.08	6.42	6.43	6.43	6.43	6.44	6.80	6.81	6.82	6.82	6.83
	110°F (43.0°C)	TC	45145	45206	45255	45257	45318	47866	47923	47970	47979	48036	50726	50792	50848	50858	50914	53782	53841	53899	53907	53975
		S/T	0.57	0.67	0.76	0.76	0.86	0.60	0.71	0.80	0.80	0.91	0.64	0.75	0.85	0.85	0.97	0.68	0.79	0.90	0.90	1.00
		PI	5.72	5.72	5.73	5.73	5.74	6.06	6.07	6.07	6.07	6.08	6.42	6.43	6.44	6.44	6.45	6.81	6.82	6.82	6.82	6.83
	115°F (46.0°C)	TC	38990	39042	39084	39086	39139	41340	41389	41430	41438	41487	43809	43866	43915	43923	43972	46449	46500	46550	46557	46615
		S/T	0.57	0.67	0.77	0.77	0.87	0.61	0.71	0.81	0.81	0.92	0.65	0.76	0.86	0.86	0.98	0.68	0.80	0.91	0.91	1.00
		PI	5.07	5.07	5.08	5.08	5.09	5.37	5.38	5.38	5.38	5.39	5.69	5.70	5.71	5.71	5.71	6.03	6.04	6.05	6.05	6.06
	122°F (50.0°C)	TC	30783	30824	30857	30859	30900	32638	32677	32709	32715	32754	34588	34633	34671	34678	34717	36672	36712	36752	36757	36803
		S/T	0.59	0.69	0.78	0.78	0.89	0.62	0.73	0.83	0.83	0.95	0.66	0.77	0.88	0.88	1.00	0.70	0.82	0.93	0.93	1.00
		PI	4.20	4.21	4.21	4.21	4.22	4.45	4.46	4.46	4.46	4.47	4.72	4.73	4.73	4.73	4.74	5.00	5.01	5.01	5.02	5.02

Manufacturer reserves the right to change, at any time, specifications and designs without notice and without obligations.

Heating Performance - 60K D5CUHA + D5FUAA

Table 29: Heating Performance - 60K D5CUHA + D5FUAA (Sheet 1 of 2)

AIRFLOW (CFM)	HEATING PERFORMANCE AT INDOOR DRY BULB TEMPERATURE										
	OUTDOOR DB °F (°C)	TC: TOTAL HEATING CAPACITY (BTU/HR)					PI: POWER INPUT (KW)				
		INDOOR CONDITIONS DB °F (°C)					INDOOR CONDITIONS DB				
		60.8°F (16.0°C)	68°F (20.0°C)	70°F (21.1°C)	71.6°F (22.0°C)	75.2°F (24.0°C)	60.8°F (16.0°C)	68°F (20.0°C)	70°F (21.1°C)	71.6°F (22.0°C)	75.2°F (24.0°C)
490	-22°F (-30.0°C)	22386	21938	21829	21718	21522	5.94	5.99	6.00	6.01	6.04
	-13°F (-25.0°C)	31369	30741	30588	29261	28998	6.97	7.03	7.04	7.06	7.08
	-4°F (-20.0°C)	35217	34512	34340	32851	32555	7.19	7.25	7.26	7.28	7.31
	0°F (-17.8°C)	37734	36980	36795	35200	34883	7.53	7.59	7.61	7.62	7.65
	5°F (-15.0°C)	40882	40064	39864	38135	37792	7.95	8.02	8.03	8.05	8.08
	14°F (-10.0°C)	43240	42375	42163	40335	39972	7.91	7.97	7.99	8.01	8.04
	17°F (-8.3°C)	44026	43145	42929	41068	40699	7.90	7.96	7.98	7.99	8.03
	22°F (-5.6°C)	43133	42271	42059	40236	39874	7.39	7.45	7.47	7.48	7.51
	27°F (-2.8°C)	42241	41397	41190	39404	39049	6.89	6.95	6.96	6.98	7.00
	32°F (-0.0°C)	41349	40522	40320	38572	38224	6.39	6.44	6.45	6.47	6.49
	35°F (1.7°C)	40814	39998	39798	38072	37730	6.09	6.14	6.15	6.16	6.19
	37°F (2.8°C)	42119	41277	41071	39290	38936	6.03	6.08	6.09	6.10	6.13
	42°F (5.6°C)	45383	44475	44253	42334	41953	5.88	5.93	5.94	5.95	5.98
	44.6°F (7.0°C)	46688	45755	45526	43552	43160	5.82	5.87	5.88	5.89	5.92
	47°F (8.3°C)	48646	47673	47435	45379	44970	5.73	5.78	5.79	5.80	5.83
	52°F (11.1°C)	48190	47226	46990	44953	44548	5.24	5.29	5.30	5.31	5.33
	57°F (13.9°C)	47734	46779	46545	44527	44127	4.75	4.79	4.80	4.81	4.83
	59°F (15.0°C)	47552	46600	46367	44357	43958	4.56	4.60	4.60	4.61	4.63
62°F (16.7°C)	47278	46332	46101	44102	43705	4.26	4.30	4.31	4.32	4.33	
64.4°F (18.0°C)	47095	46153	45923	43932	43536	4.07	4.10	4.11	4.12	4.13	
530	-22°F (-30.0°C)	25295	24790	24666	24553	24332	6.00	6.05	6.06	6.08	6.10
	-13°F (-25.0°C)	34757	34062	33892	33082	32785	7.04	7.10	7.11	7.13	7.16
	-4°F (-20.0°C)	39021	38240	38049	37141	36807	7.26	7.32	7.34	7.35	7.38
	0°F (-17.8°C)	41811	40974	40769	39796	39438	7.61	7.67	7.68	7.70	7.73
	5°F (-15.0°C)	45298	44392	44170	43115	42727	8.03	8.10	8.11	8.13	8.16
	14°F (-10.0°C)	47910	46952	46718	45602	45192	7.99	8.06	8.07	8.09	8.12
	17°F (-8.3°C)	48781	47806	47567	46431	46013	7.98	8.04	8.06	8.07	8.11
	22°F (-5.6°C)	47793	46837	46603	45490	45081	7.47	7.53	7.54	7.56	7.59
	27°F (-2.8°C)	46804	45868	45639	44549	44148	6.96	7.02	7.03	7.05	7.07
	32°F (-0.0°C)	45816	44900	44675	43608	43216	6.45	6.51	6.52	6.53	6.56
	35°F (1.7°C)	45223	44318	44097	43044	42656	6.15	6.20	6.21	6.22	6.25
	37°F (2.8°C)	46669	45736	45507	44421	44021	6.09	6.14	6.15	6.16	6.19
	42°F (5.6°C)	50285	49280	49033	47862	47432	5.94	5.99	6.00	6.01	6.04
	44.6°F (7.0°C)	51732	50697	50444	49239	48796	5.88	5.93	5.94	5.95	5.98
	47°F (8.3°C)	53901	52823	52559	51304	50843	5.79	5.84	5.85	5.86	5.89
	52°F (11.1°C)	53396	52328	52066	50823	50366	5.30	5.34	5.35	5.36	5.38
	57°F (13.9°C)	52890	51833	51573	50342	49889	4.80	4.84	4.85	4.86	4.88
	59°F (15.0°C)	52688	51634	51376	50150	49698	4.60	4.64	4.65	4.66	4.68
62°F (16.7°C)	52385	51337	51081	49861	49412	4.31	4.34	4.35	4.36	4.38	
64.4°F (18.0°C)	52183	51139	50883	49668	49221	4.11	4.14	4.15	4.16	4.18	

Table 29: Heating Performance - 60K D5CUHA + D5FUAA (Sheet 2 of 2)

580	-22°F (-30.0°C)	28583	28011	27871	27760	27510	6.06	6.11	6.12	6.14	6.16
	-13°F (-25.0°C)	38512	37741	37553	37403	37066	7.11	7.17	7.18	7.20	7.23
	-4°F (-20.0°C)	43236	42371	42159	41991	41613	7.34	7.40	7.41	7.43	7.46
	0°F (-17.8°C)	46327	45401	45174	44993	44588	7.68	7.74	7.76	7.78	7.81
	5°F (-15.0°C)	50191	49187	48941	48745	48307	8.11	8.18	8.20	8.21	8.24
	14°F (-10.0°C)	53086	52024	51764	51557	51093	8.07	8.14	8.15	8.17	8.20
	17°F (-8.3°C)	54051	52970	52705	52494	52022	8.06	8.12	8.14	8.16	8.19
	22°F (-5.6°C)	52956	51897	51637	51430	50968	7.54	7.61	7.62	7.64	7.67
	27°F (-2.8°C)	51860	50823	50569	50367	49913	7.03	7.09	7.10	7.12	7.15
	32°F (-0.0°C)	50765	49750	49501	49303	48859	6.52	6.57	6.59	6.60	6.62
	35°F (1.7°C)	50108	49106	48860	48665	48227	6.21	6.26	6.27	6.29	6.31
	37°F (2.8°C)	51711	50676	50423	50221	49769	6.15	6.20	6.21	6.23	6.25
	42°F (5.6°C)	55717	54603	54330	54113	53626	6.00	6.05	6.06	6.07	6.10
	44.6°F (7.0°C)	57320	56174	55893	55669	55168	5.94	5.99	6.00	6.01	6.04
	47°F (8.3°C)	59724	58529	58237	58004	57482	5.85	5.90	5.91	5.92	5.94
	52°F (11.1°C)	59164	57981	57691	57460	56943	5.35	5.39	5.40	5.42	5.44
	57°F (13.9°C)	58604	57432	57145	56916	56404	4.85	4.89	4.90	4.91	4.93
	59°F (15.0°C)	58380	57212	56926	56698	56188	4.65	4.69	4.70	4.71	4.73
	62°F (16.7°C)	58044	56883	56598	56372	55865	4.35	4.39	4.40	4.40	4.42
	64.4°F (18.0°C)	57820	56663	56380	56154	55649	4.15	4.19	4.19	4.20	4.22
620	-22°F (-30.0°C)	31671	31037	30882	30758	30482	6.12	6.17	6.19	6.20	6.22
	-13°F (-25.0°C)	42672	41818	41609	41443	41070	7.18	7.24	7.26	7.27	7.30
	-4°F (-20.0°C)	47907	46948	46714	46527	46108	7.41	7.47	7.49	7.50	7.53
	0°F (-17.8°C)	51331	50305	50053	49853	49404	7.76	7.82	7.84	7.85	7.89
	5°F (-15.0°C)	55613	54500	54228	54011	53525	8.20	8.26	8.28	8.29	8.33
	14°F (-10.0°C)	58820	57644	57356	57126	56612	8.15	8.22	8.24	8.25	8.29
	17°F (-8.3°C)	59890	58692	58398	58165	57641	8.14	8.20	8.22	8.24	8.27
	22°F (-5.6°C)	58676	57503	57215	56986	56473	7.62	7.68	7.70	7.71	7.74
	27°F (-2.8°C)	57462	56313	56032	55808	55305	7.10	7.16	7.17	7.19	7.22
	32°F (-0.0°C)	56249	55124	54848	54629	54137	6.59	6.64	6.65	6.67	6.69
	35°F (1.7°C)	55521	54410	54138	53922	53436	6.27	6.33	6.34	6.35	6.38
	37°F (2.8°C)	57296	56151	55870	55646	55145	6.21	6.26	6.28	6.29	6.31
	42°F (5.6°C)	61736	60501	60199	59958	59418	6.06	6.11	6.12	6.13	6.16
	44.6°F (7.0°C)	63512	62242	61930	61683	61127	6.00	6.05	6.06	6.07	6.10
	47°F (8.3°C)	66176	64852	64528	64270	63691	5.91	5.96	5.97	5.98	6.00
	52°F (11.1°C)	65555	64244	63923	63667	63094	5.40	5.45	5.46	5.47	5.49
	57°F (13.9°C)	64934	63636	63317	63064	62497	4.90	4.94	4.95	4.96	4.98
	59°F (15.0°C)	64686	63392	63075	62823	62258	4.70	4.74	4.75	4.76	4.77
	62°F (16.7°C)	64314	63027	62712	62462	61899	4.40	4.43	4.44	4.45	4.47
	64.4°F (18.0°C)	64066	62784	62470	62220	61660	4.19	4.23	4.24	4.24	4.26

APPLICATION DATA

Unit Selections

Select equipment that either matches or supports slightly more than the anticipated peak load. This provides better humidity control, fewer unit cycles, and less part-load operation.

For units used in spaces with high sensible loads, base equipment selection on unit sensible load, not on total anticipated load. Adjust for anticipated room wet bulb temperature to avoid undersizing the equipment.

Unit Mounting (Outdoor)

Refer to the unit's installation instructions for further details.

Unit leveling - For reliable operation, units should be level in all planes.

Clearance - Minimum clearance (see Fig. 7 — on page 8, and see Fig. 8 — on page 9) must be provided for airflow. The condensing units are designed for free-flow application. Air inlets and outlets should not be restricted.

Unit location - A location which is convenient to installation and not exposed to strong winds. A location that can bear the weight of the outdoor unit and where the outdoor unit can be mounted in a level position.

Do not install the indoor or outdoor units in a location with special environmental conditions. For those applications, contact your sales representative.

System Operating Conditions

OPERATING RANGE MIN/MAX °F / °C

All High Heat Units:

- **Cooling:** -22/130 (-30/55)
- **Heating:** -22/86 (-30/30)

NOTE: Without intervention, the unit may continue to run at temperatures outside of the specified operating temperatures. However, operation outside of the specified temperature range may result in decreased performance and may cause damage to the unit.

METERING DEVICES

The metering device is located in the outdoor unit.

DRAIN CONNECTIONS

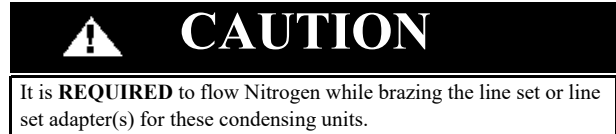
Install drains to meet the local codes.

REFRIGERANT LINES

General refrigerant line sizing:

1. The outdoor units are shipped with a full charge of R-454B refrigerant. All charges, line sizing, and capacities are based on runs of 25 ft. (7.6 m). For runs over 25 ft. (7.6 m), add 0.69 oz/ft (65 g/m) of refrigerant charge.
2. Refrigerant lines should not be buried in the ground. If it is necessary to bury the lines, do not bury more than 36-in (914 mm). Provide a minimum 6-in (152 mm) vertical rise to the service valves to prevent refrigerant migration.
3. Insulate the suction line with a minimum 3/8-in (10 mm) wall thermal pipe insulation. Follow local codes.

4. Special consideration should be given to isolating the interconnecting tubing from the building structure. Isolate the tubing so vibration or noise is not transmitted into the structure.



WIRING

All wires must be sized per NEC (National Electrical Code) or CEC (Canadian Electrical Code) and local codes. Use Electrical Data table MCA (minimum circuit amps) and MOCP (maximum over current protection) to correctly size the wires and the disconnect fuse or breakers respectively.

Power wiring

1. Remove the electric cover of the outdoor unit.
2. Connect the fork terminal to the terminals.
3. Match the wire labels with the labels on the terminal block.
4. Firmly screw the fork terminal of each wire to its corresponding terminal.
5. Insulate unused wires with electrical tape. Keep them away from any electrical or metal parts.
6. Reinstall the cover of the electric control box.

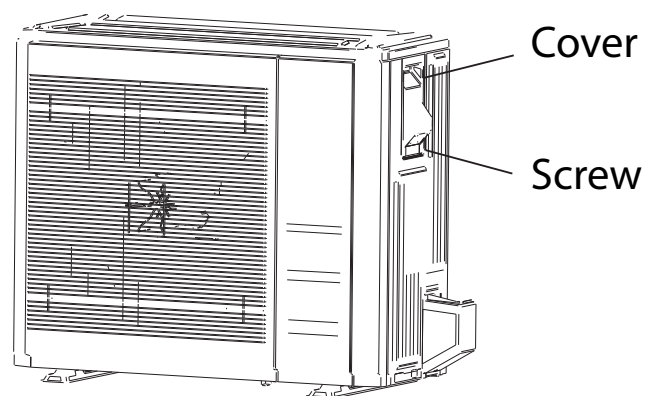
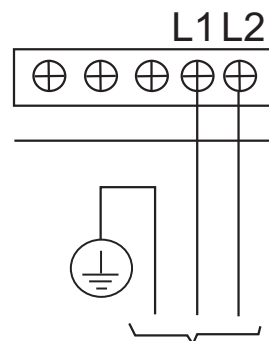


Fig. 9 — Remove Electrical Cover



TO POWER SOURCE

Fig. 10 — Match Fork Terminal to Terminal Labels

SPECIFIC WIRING METHODS

!
WARNING

Refer to the wiring nameplate for the wiring method. Do not connect 24V AC to S1 - S2, as this will damage the system.

SCENARIO 1:

This is the preferred method of control. This allows a 24 volt thermostat to be used with RS485 communication between the indoor and outdoor units. None of the 24 volt terminals in the outdoor unit can be used with this scenario. It is recommended to use 16 AWG stranded shielded cable for RS 485 communication.

- The **B** terminal and **W** terminal should not be used together at the air handler.
- **W** should only be used with a conventional thermostat for the heat demand at the air handler.
- **DS** is a reserve Terminal.

To use a 24V thermostat, Refer to the following wiring:

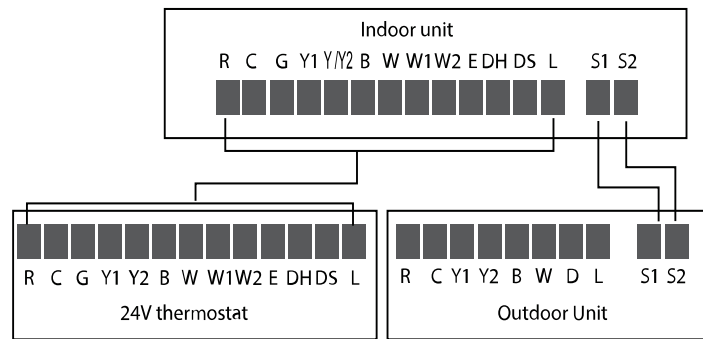


Fig. 11 —Scenario 1

SCENARIO 2 (DEFAULT):

This allows the KSACN1401AAA wired controller to be used with RS485 communication between indoor and outdoor units. It is recommended to use 16 AWG stranded shielded cable for RS 485 communication.

- None of the 24 volt terminals at the air handler or outdoor unit can be used for this scenario
- Using the 1401 wired controller allows for the system to be fully communicating.
- Refer to the 1401 wired controller Owner's Manual for wired controller operating information.

Refer to the wiring method of indoor and outdoor unit communication and wired controller as follows:

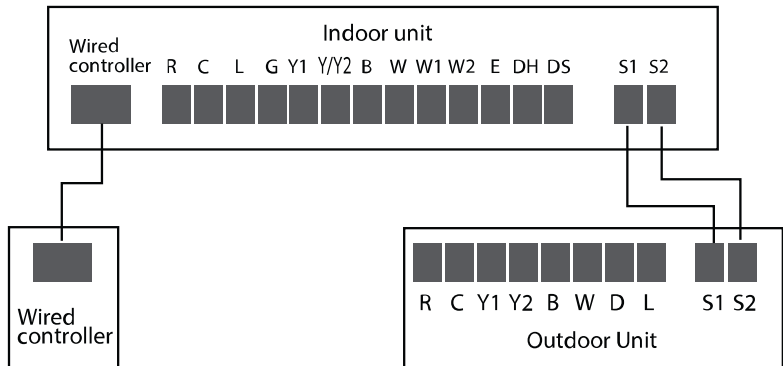


Fig. 12 —Scenario 2 (Default)

SCENARIO 3:

This allows a 24 volt thermostat to be used with 24 volt communication between the indoor and outdoor units. Some communication features will not be available with this method.

NOTE: This equipment energizes the reversing valve in heat. Ensure that the B terminal is configured at the thermostat for heat.

NOTE: This method can be used for a D5FUHA outdoor unit and a third party indoor unit or cased coil and gas furnace.

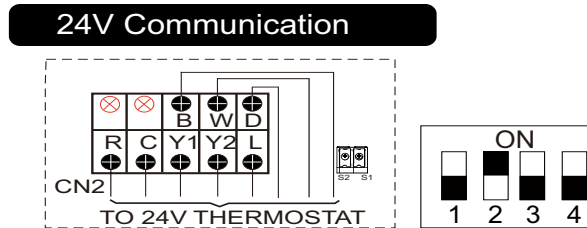


Fig. 13 —Scenario 3 - Wiring to the Outdoor Unit

NOTE: DIP switch 2 in the outdoor unit must be turned on for Scenario 3 and Crossover applications. Leave off for the other 2 scenarios.

NOTE: The 24 volt wire terminals in the outdoor unit should only be used for Scenario 3. S1 and S2 should only be used for Scenarios 1 and 2.

24V must never be connected to S1 – S2. All wiring must be in compliance with the above scenarios. Incorrect wiring can damage the outdoor and indoor control boards.

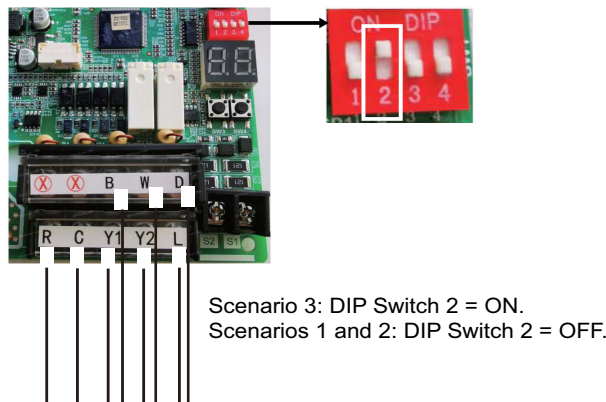


Fig. 14 —24V Connection Dip Switch Setting (as shown in Fig 13)

The SW3 button is not active.

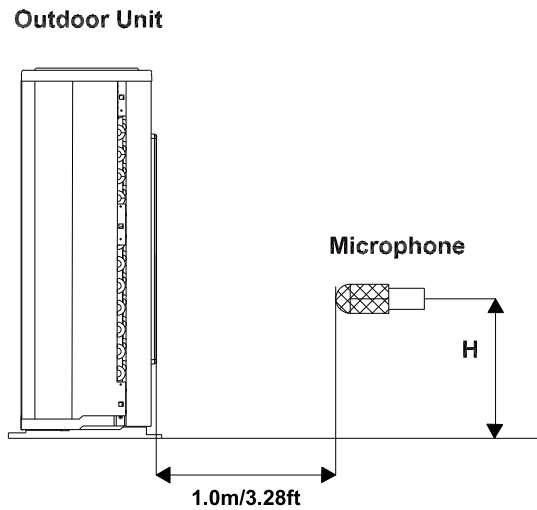
SW4 button should be used for point check inquiry and forced defrost.

NOTE: The use of shielded communication or thermostat wire is not required, but is recommended where separation from high voltage conductors can not be maintained, or in areas with high electrical noise. The shield must be grounded at the outdoor unit and stripped back and taped at the indoor unit. Grounding at both ends results in an increase of noise transmitted onto the signal wires.

SOUND PRESSURE

			D5CUHAH18AAK	D5CUHAH24AAK	D5CUHAH30AAK	D5CUHAH36AAK	D5CUHAH48AAK	D5CUHAH60AAK	
SOUND DATA		OUTDOOR SOUND PRESSURE LEVEL	dB(A)	59	60	60.5	62.5	65	65
ENVIRONMENTAL SPECIFICATIONS	COOLING OPERATING RANGE	INDOOR MIN - MAX DB	°F	60~90	60~90	60~90	60~90	60~90	60~90
			(°C)	(16?32)	(16?32)	(16?32)	(16?32)	(16?32)	(16?32)
		INDOOR MIN - MAX WB	°F	59-84	59-84	59-84	59-84	59-84	59-84
			(°C)	(15-29)	(15-29)	(15-29)	(15-29)	(15-29)	(15-29)
		OUTDOOR MIN - MAX DB	°F	-22~122	-22~122	-22~122	-22~122	-22~122	-22~122
			(°C)	(-30?50)	(-30?50)	(-30?50)	(-30?50)	(-30?50)	(-30?50)
	HEATING OPERATING RANGE	INDOOR MIN - MAX DB	°F	32~86	32~86	32~86	32~86	32~86	32~86
			(°C)	(0?30)	(0?30)	(0?30)	(0?30)	(0?30)	(0?30)
		OUTDOOR MIN - MAX DB	°F	-22~75	-22~75	-22~75	-22~75	-22~75	-22~75
			(°C)	(-30?24)	(-30?24)	(-30?24)	(-30?24)	(-30?24)	(-30?24)

SOUND PRESSURE TESTING METHOD



Note: $H = 0.5 \times \text{height of outdoor unit}$

Notes:

- Sound measured at 1.0m/3.25ft away from the center of the unit.
- Data is valid at free field condition
- Data is valid at nominal operation condition
- Reference acoustic pressure $OdB=20\mu Pa$
- Sound level will vary depending on arrange off actors such as the construction (acoustic absorption coefficient) of particular room in which the equipment is installed.
- The operating conditions are assumed to be standard.

Fig. 15 —Sound Pressure Testing Method

SOUND PRESSURE OCTAVE TABLES

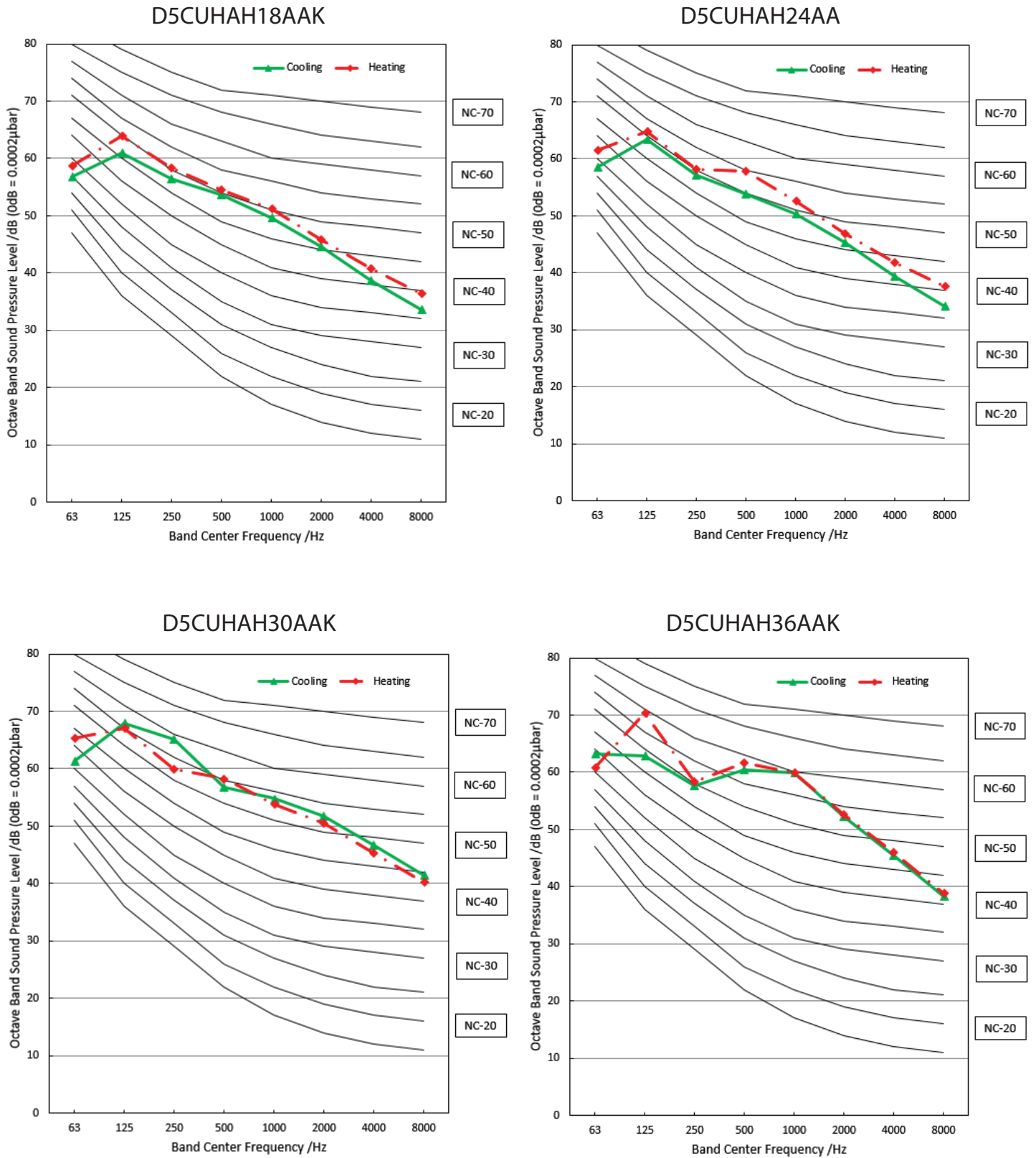


Fig. 16 — Sound Octave Bands

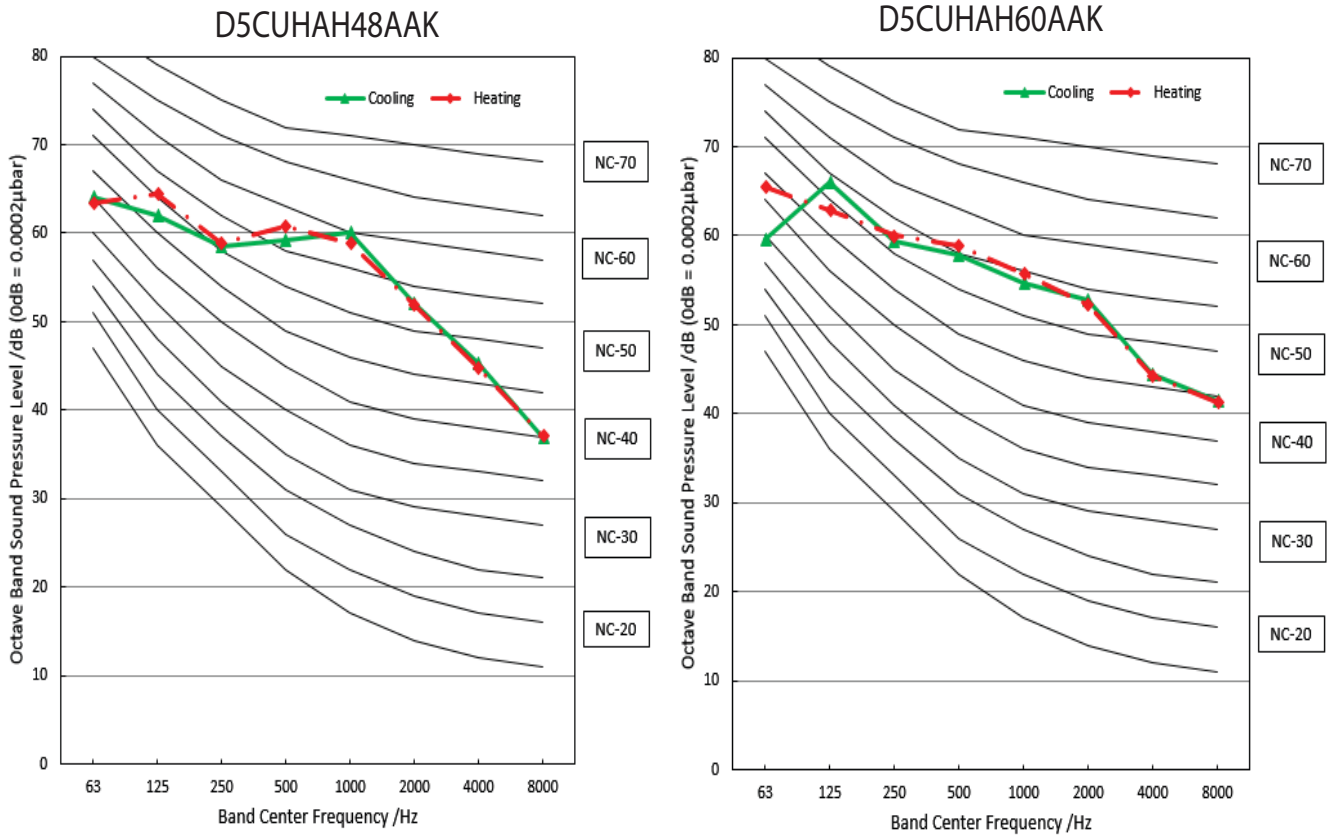


Fig. 17 —Sound Octave Bands

CAPACITY CORRECTION FACTOR FOR REFRIGERANT LINE SIZE DIAMETER

VAPOR LINE SIZE AND COOLING CAPACITY LOSSES											
UNIT NOMINAL SIZE (BTU/HR)	MAXIMUM LIQUID LINE DIAMETERS (IN. OD)	VAPOR LINE DIAMETERS (IN. OD)	COOLING CAPACITY LOSS (%)								
			TOTAL EQUIVALENT LINE LENGTH FT. (M)								
			26-50 (7.9-15.2)	51-80 (15.5-24.4)	81-100 (24.7-30.5)	101-125 (30.8-38.1)	126-150 (38.4-45.7)	151-164 (46.0-50.0)	165-213 (50.2-65.0)	214-225 (65.3-68.6)	226-250 (68.9-76.2)
18000	3/8	1/2	2	4	6	NA	NA	NA	NA	NA	NA
		5/8	1	2	3	NA	NA	NA	NA	NA	NA
		3/4	0	1	2	NA	NA	NA	NA	NA	NA
24000	3/8	5/8	1	2	3	5	7	8	NA	NA	NA
		3/4	0	1	2	3	4	4	NA	NA	NA
		7/8	0	1	1	2	2	3	NA	NA	NA
30000	3/8	5/8	1	2	3	4	5	5	NA	NA	NA
		3/4	0	1	1	2	2	3	NA	NA	NA
		7/8	0	0	1	1	1	2	NA	NA	NA
36000	3/8	5/8	2	3	4	5	7	7	10	11	12
		3/4	1	1	2	2	3	4	5	5	6
		7/8	0	1	1	1	2	2	3	3	4
48000	3/8	3/4	1	2	3	4	5	5	7	8	9
		7/8	0	1	1	2	3	3	4	5	5
		11/8	0	0	0	1	1	1	2	2	3
60000	3/8	3/4	1	2	3	4	6	6	8	9	10
		7/8	0	1	2	2	3	3	5	5	6
		11/8	0	0	0	1	1	1	2	2	3

CAPACITY CORRECTION FACTOR FOR HEIGHT DIFFERENCE

EXAMPLE: When Indoor is installed 16.4 ft higher than Outdoor, and total refrigerant pipe length is 65.6ft, then cooling capacity might drop by 4% and heating capacity might drop by 1.3% (Refer to green shading in table).

Capacity(Btu/h)	18k		Pipe Length (ft/m)			
Cooling			24.6/7.5	32.8/10	65.6/20	98.4/30
Height difference H (m)	Indoor Upper than Outdoor	65.6/20			0.941	0.919
		32.8/10		0.974	0.951	0.928
		16.4/5	0.995	0.983	0.960	0.937
	Outdoor Upper than Indoor	0	1.000	0.988	0.965	0.942
		-16.4/-5	1.000	0.988	0.965	0.942
		-32.8/-10		0.988	0.965	0.942
		-65.6/-20			0.965	0.942
Heating			24.6/7.5	32.8/10	65.6/20	98.4/30
Height difference H (m)	Indoor Upper than Outdoor	65.6/20			0.987	0.978
		32.8/10		0.996	0.987	0.978
		16.4/5	1.000	0.996	0.987	0.978
	Outdoor Upper than Indoor	0	1.000	0.996	0.987	0.978
		-16.4/-5	0.992	0.988	0.979	0.970
		-32.8/-10		0.980	0.971	0.962
		-65.6/-20			0.963	0.955

Fig. 18 —Capacity Correction Factor - 18K

Capacity (Btu/h)		24k		Pipe Length (ft/m)				
Cooling			24.6/7.5	32.8/10	65.6/20	98.4/30	131.2/40	164/50
Height difference H (m)	Indoor Upper than Outdoor	82/25	/	/	/	0.917	0.898	0.879
		65.6/20	/	/	0.946	0.926	0.907	0.887
		32.8/10	/	0.975	0.955	0.936	0.916	0.896
		16.4/5	0.995	0.985	0.965	0.945	0.925	0.905
		0	1.000	0.990	0.970	0.950	0.930	0.910
	Outdoor Upper than Indoor	-16.4/-5	1.000	0.990	0.970	0.950	0.930	0.910
		-32.8/-10	/	0.990	0.970	0.950	0.930	0.910
		-65.6/-20	/	/	0.970	0.950	0.930	0.910
		-82/-25	/	/	/	0.950	0.930	0.910
	Heating			24.6/7.5	32.8/10	65.6/20	98.4/30	131.2/40
Height difference H (m)	Indoor Upper than Outdoor	82/25	/	/	/	0.984	0.978	0.972
		65.6/20	/	/	0.991	0.984	0.978	0.972
		32.8/10	/	0.997	0.991	0.984	0.978	0.972
		16.4/5	1.000	0.997	0.991	0.984	0.978	0.972
		0	1.000	0.997	0.991	0.984	0.978	0.972
	Outdoor Upper than Indoor	-16.4/-5	0.992	0.989	0.983	0.977	0.970	0.964
		-32.8/-10	/	0.981	0.975	0.969	0.963	0.957
		-65.6/-20	/	/	0.967	0.961	0.955	0.949
		-82/-25	/	/	/	0.953	0.947	0.941

Fig. 19 —Capacity Correction Factor - 24K

Capacity (Btu/h)	30k		Pipe Length (ft/m)					
Cooling			24.6/7.5	32.8/10	65.6/20	98.4/30	131.2/40	164/50
Height difference H (m)	Indoor Upper than Outdoor	82/25	/	/	/	0.891	0.862	0.832
		65.6/20	/	/	0.930	0.900	0.871	0.841
		32.8/10	/	0.970	0.940	0.910	0.879	0.849
		16.4/5	0.995	0.980	0.949	0.919	0.888	0.858
	0		1.000	0.985	0.954	0.923	0.893	0.862
	Outdoor Upper than Indoor	-16.4/-5	1.000	0.985	0.954	0.923	0.893	0.862
		-32.8/-10	/	0.985	0.954	0.923	0.893	0.862
		-65.6/-20	/	/	0.954	0.923	0.893	0.862
-82/-25		/	/	/	0.923	0.893	0.862	
Heating			24.6/7.5	32.8/10	65.6/20	98.4/30	131.2/40	164/50
Height difference H (m)	Indoor Upper than Outdoor	82/25	/	/	/	0.961	0.945	0.929
		65.6/20	/	/	0.976	0.961	0.945	0.929
		32.8/10	/	0.992	0.976	0.961	0.945	0.929
		16.4/5	1.000	0.992	0.976	0.961	0.945	0.929
	0		1.000	0.992	0.976	0.961	0.945	0.929
	Outdoor Upper than Indoor	-16.4/-5	0.992	0.984	0.969	0.953	0.937	0.922
		-32.8/-10	/	0.976	0.961	0.945	0.930	0.914
		-65.6/-20	/	/	0.953	0.938	0.922	0.907
-82/-25		/	/	/	0.930	0.915	0.900	

Fig. 20 —Capacity Correction Factor - 30K

Capacity (Btu/h)	36k		Pipe Length (ft/m)					
Cooling			24.6/7.5	15/49.2	82/25	35/114.8	164/50	246/75
Height difference H (m)	Indoor Upper than Outdoor	98.4/30	/	/	/	0.889	0.851	0.787
		65.6/20	/	/	0.924	0.898	0.859	0.795
		32.8/10	/	0.959	0.933	0.907	0.868	0.803
		16.4/5	0.995	0.969	0.942	0.916	0.876	0.811
	0		1.000	0.974	0.947	0.921	0.881	0.815
	Outdoor Upper than Indoor	-16.4/-5	1.000	0.974	0.947	0.921	0.881	0.815
		-32.8/-10	/	0.974	0.947	0.921	0.881	0.815
		-65.6/-20	/	/	0.947	0.921	0.881	0.815
-30/-98.4		/	/	/	0.921	0.881	0.815	
Heating			24.6/7.5	15/49.2	82/25	35/114.8	164/50	246/75
Height difference H (m)	Indoor Upper than Outdoor	98.4/30	/	/	/	0.964	0.945	0.915
		65.6/20	/	/	0.976	0.964	0.945	0.915
		32.8/10	/	0.988	0.976	0.964	0.945	0.915
		16.4/5	1.000	0.988	0.976	0.964	0.945	0.915
	0		1.000	0.988	0.976	0.964	0.945	0.915
	Outdoor Upper than Indoor	-16.4/-5	0.992	0.980	0.968	0.956	0.938	0.908
		-32.8/-10	/	0.972	0.960	0.948	0.930	0.900
		-65.6/-20	/	/	0.952	0.941	0.923	0.893
-30/-98.4		/	/	/	0.933	0.915	0.886	

Fig. 21 —Capacity Correction Factor - 36K

Capacity (Btu/h)	48k		Pipe Length (ft/m)					
Cooling			24.6/7.5	15/49.2	82/25	35/114.8	164/50	246/75
Height difference H (m)	Indoor Upper than Outdoor	98.4/30	/	/	/	0.884	0.843	0.775
		65.6/20	/	/	0.920	0.893	0.852	0.783
		32.8/10	/	0.957	0.930	0.902	0.860	0.791
		16.4/5	0.995	0.967	0.939	0.911	0.869	0.799
	0		1.000	0.972	0.944	0.916	0.873	0.803
	Outdoor Upper than Indoor	-16.4/-5	1.000	0.972	0.944	0.916	0.873	0.803
		-32.8/-10	/	0.972	0.944	0.916	0.873	0.803
		-65.6/-20	/	/	0.944	0.916	0.873	0.803
		-30/-98.4	/	/	/	0.916	0.873	0.803
	Heating			24.6/7.5	15/49.2	82/25	35/114.8	164/50
Height difference H (m)	Indoor Upper than Outdoor	98.4/30	/	/	/	0.958	0.936	0.901
		65.6/20	/	/	0.972	0.958	0.936	0.901
		32.8/10	/	0.986	0.972	0.958	0.936	0.901
		16.4/5	1.000	0.986	0.972	0.958	0.936	0.901
	0		1.000	0.986	0.972	0.958	0.936	0.901
	Outdoor Upper than Indoor	-16.4/-5	0.992	0.978	0.964	0.950	0.929	0.894
		-32.8/-10	/	0.970	0.956	0.942	0.921	0.887
		-65.6/-20	/	/	0.949	0.935	0.914	0.880
		-30/-98.4	/	/	/	0.927	0.907	0.873

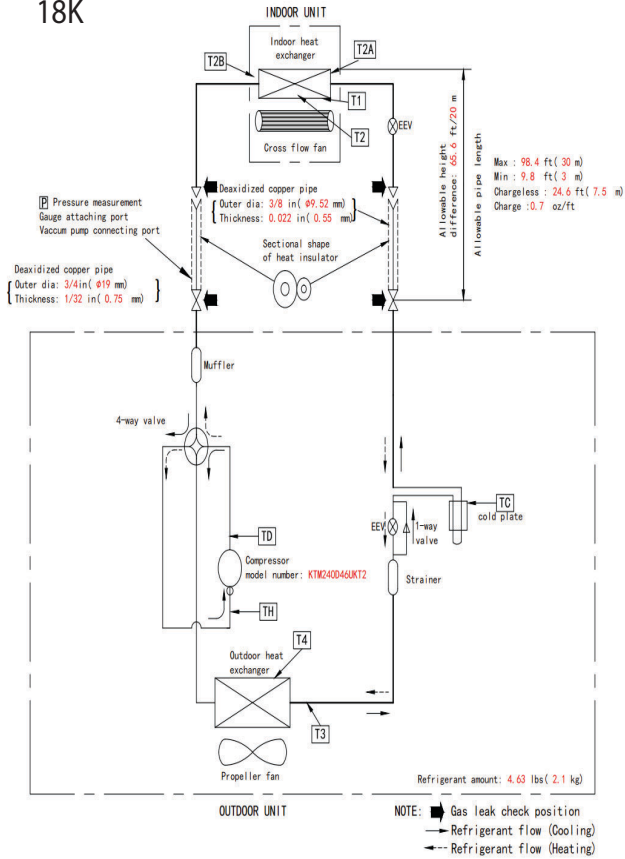
Fig. 22 — Capacity Correction Factor - 48K

Capacity (Btu/h)	60k		Pipe Length (ft/m)					
Cooling			24.6/7.5	15/49.2	82/25	35/114.8	164/50	246/75
Height difference H (m)	Indoor Upper than Outdoor	98.4/30	/	/	/	0.870	0.823	0.743
		65.6/20	/	/	0.911	0.879	0.831	0.751
		32.8/10	/	0.953	0.920	0.888	0.840	0.758
		16.4/5	0.995	0.962	0.930	0.897	0.848	0.766
	0		1.000	0.967	0.934	0.902	0.852	0.770
	Outdoor Upper than Indoor	-16.4/-5	1.000	0.967	0.934	0.902	0.852	0.770
		-32.8/-10	/	0.967	0.934	0.902	0.852	0.770
		-65.6/-20	/	/	0.934	0.902	0.852	0.770
		-30/-98.4	/	/	/	0.902	0.852	0.770
	Heating			24.6/7.5	15/49.2	82/25	35/114.8	164/50
Height difference H (m)	Indoor Upper than Outdoor	98.4/30	/	/	/	0.955	0.932	0.894
		65.6/20	/	/	0.970	0.955	0.932	0.894
		32.8/10	/	0.985	0.970	0.955	0.932	0.894
		16.4/5	1.000	0.985	0.970	0.955	0.932	0.894
	0		1.000	0.985	0.970	0.955	0.932	0.894
	Outdoor Upper than Indoor	-16.4/-5	0.992	0.977	0.962	0.947	0.924	0.887
		-32.8/-10	/	0.969	0.954	0.939	0.917	0.880
		-65.6/-20	/	/	0.947	0.932	0.910	0.873
		-30/-98.4	/	/	/	0.924	0.902	0.866

Fig. 23 — Capacity Correction Factor - 60K

REFRIGERANT CYCLE DIAGRAMS

18K



24K

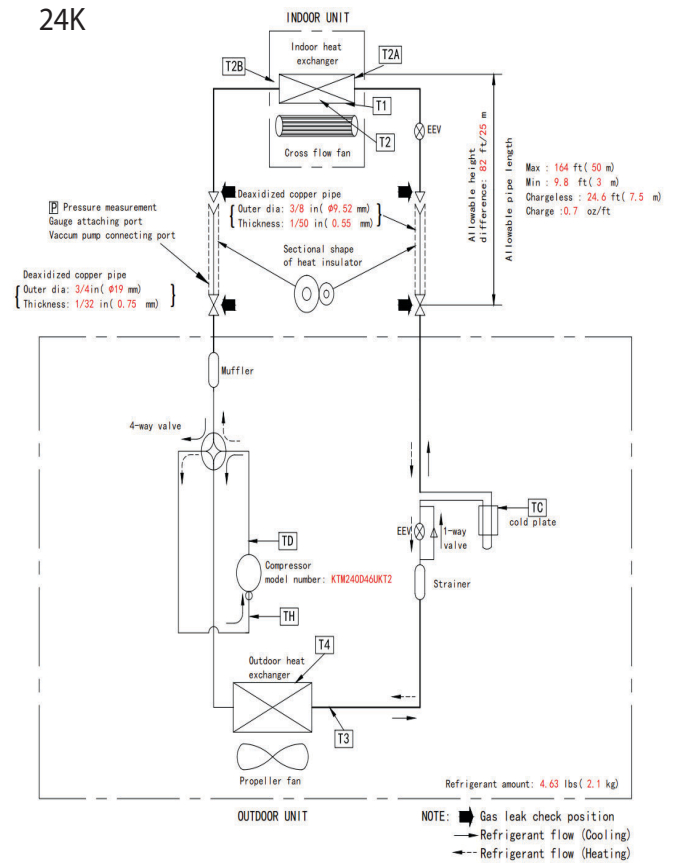
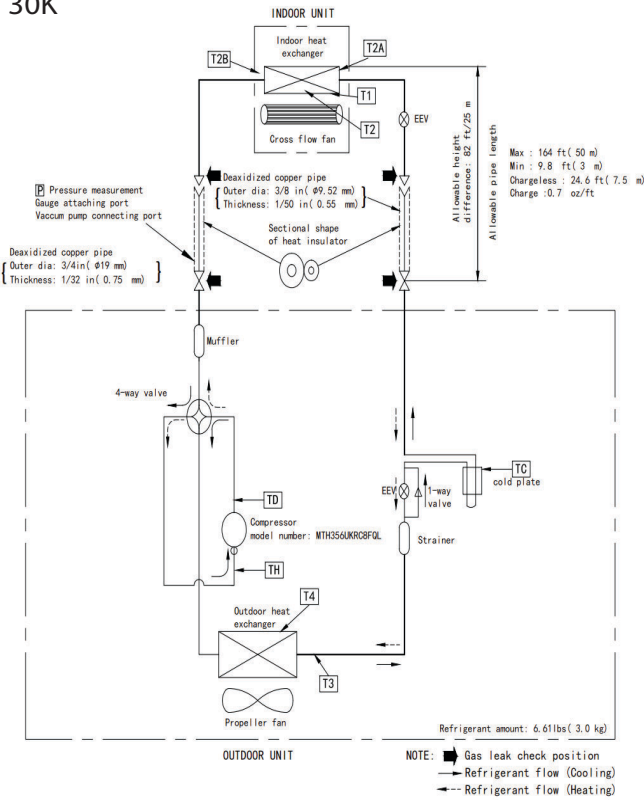


Fig. 24 —Refrigerant Cycle 18K, 24K

30K



36K

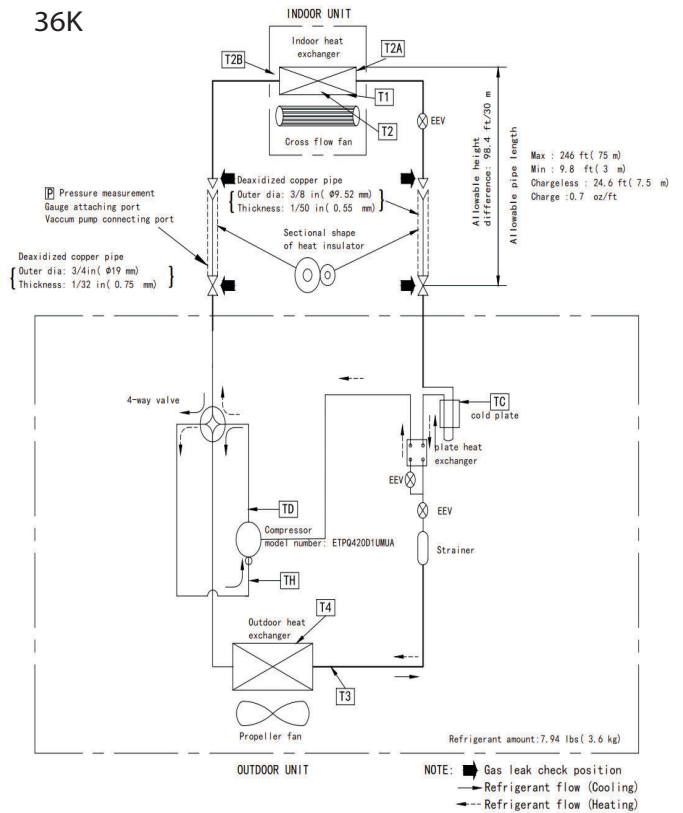
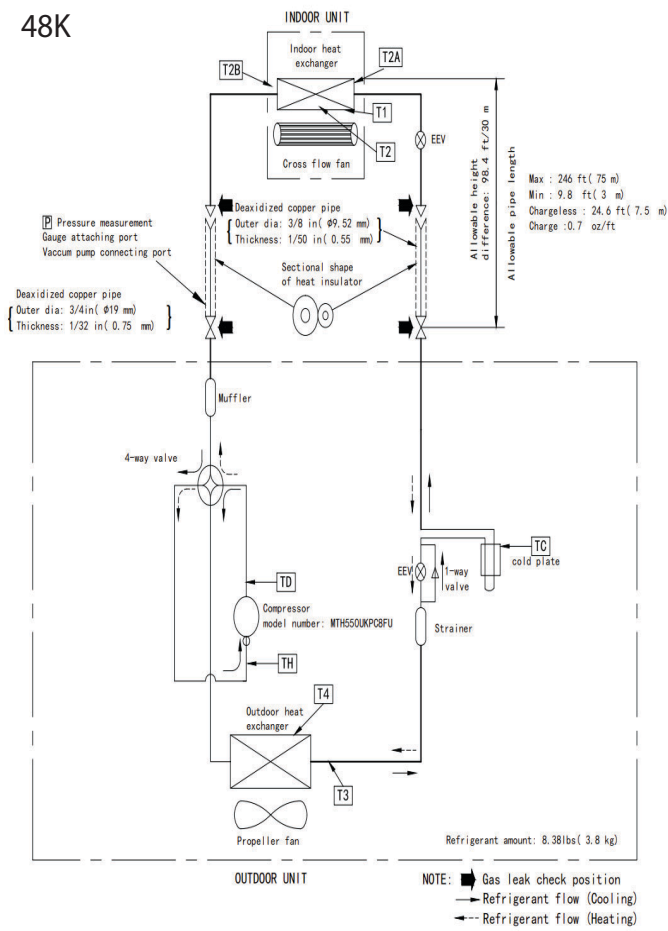


Fig. 25 —Refrigerant Cycle 30K, 36K

48K



60K

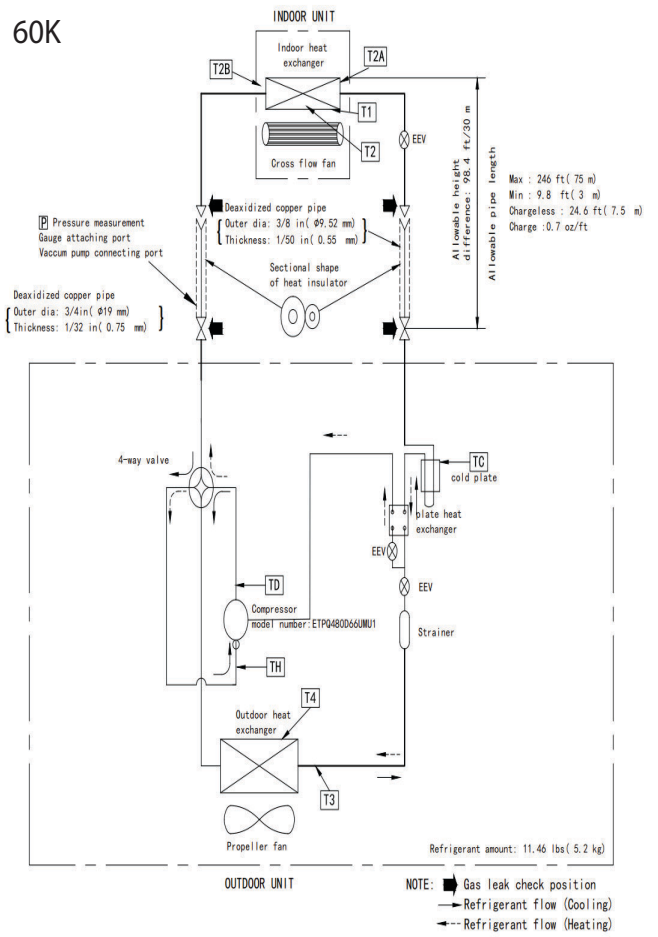


Fig. 26 — Refrigerant Cycle 48K. 60K

ELECTRICAL DATA

ELECTRICAL DATA							
OUTDOOR UNIT		18K	24K	30K	36K	48K	60K
VOLTAGE		(208/230V)	(208/230V)	(208/230V)	(208/230V)	(208/230V)	(208/230V)
MINIMUM CIRCUIT AMPACITY (MCA)	A	16	19	29.5	29	38	40
MAXIMUM OVERCURRENT PROTECTION AMPACITY (MOPA)	A	20	20	30	30	40	40
VOLTAGE-PHASE-FREQUENCY		208/230-1-60					
MAX – MIN VOLTAGE RANGE		253-187					
COOLING (WITH AHU3 IDU)							
RUNNING CURRENT	(A)	6.6	9	11.4	13.4	20	23.3
POWER CONSUMPTION	(W)	1445	1965	2567	3076	4690	5400
HEATING (WITH AHU3 IDU)							
RUNNING CURRENT RANGE	(A)	7.6	9.5	12.4	13.1	20.5	23.1
POWER CONSUMPTION	(W)	1740	2112	2790	3012	4750	5300

FAN AND MOTOR SPECIFICATIONS							
MATERIAL	-	Acrylonitrile Styrene +20%GF	Acrylonitrile Styrene +20%GF	Acrylonitrile Styrene +20%GF	Acrylonitrile Styrene +20%GF	Acrylonitrile Styrene +20%GF	Acrylonitrile Styrene +20%GF
TYPE	-	ZL-535*133*12-3KF N	ZL-535*133*12-3KF N	ZL-560*139*12-3KN	ZL-570*196*15-3N	ZL-570*196*15-3N	ZL-530*114-3KFN
DIAMETER	inch	21.1	21.1	22.0	22.4	22.4	20.9
	mm	535	535	560	570	570	530
HEIGHT	inch	5.2	5.2	5.5	7.7	7.7	4.5
	mm	133	133	139	196	196	114

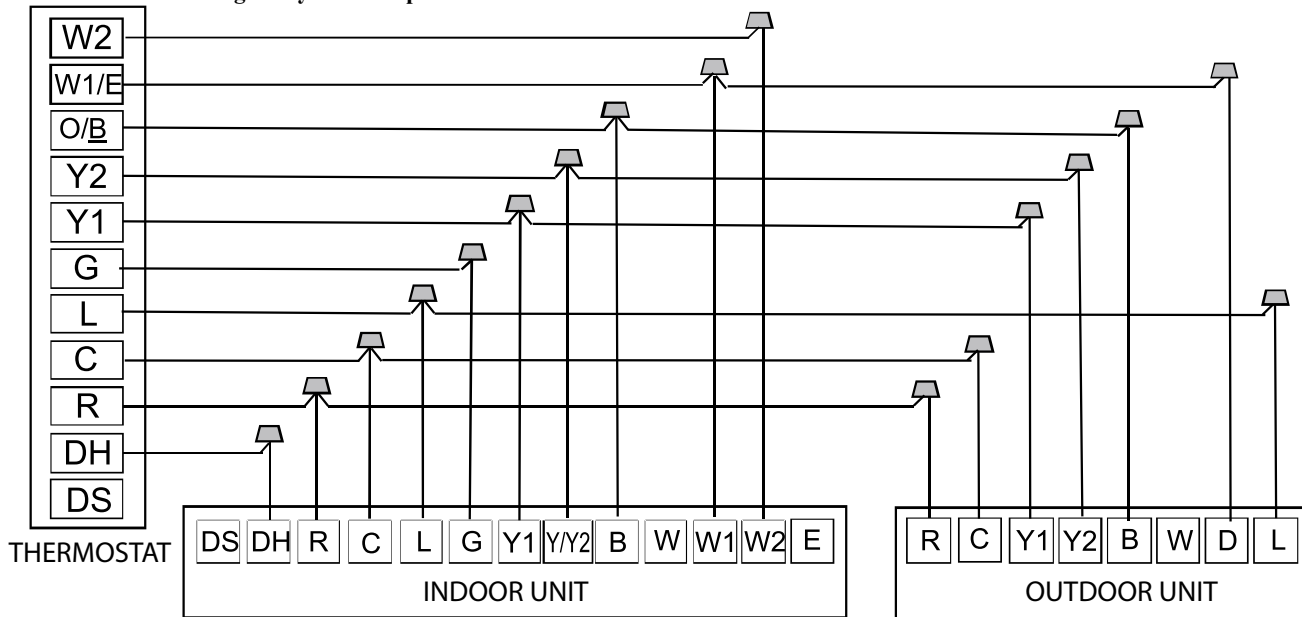
Table 30: Terminal Function

R	24V Power Connection
C	Common
Y	1 Low Demand
Y2	High Demand
B	Heating Reversing Valve
W	Heating Control
D	Defrost - (24V output signal)
L	System Fault - (24V output signal)

NOTE: Terminal D will be energized when the outdoor unit goes into defrost mode and can be used to enable electric heat. The D terminal CANNOT be used to enable gas furnace heating during defrost. This feature is not available when the outdoor unit communicates with the indoor unit via non-polarity RS485 Communication S1-S2.

24V CONNECTION DIAGRAMS

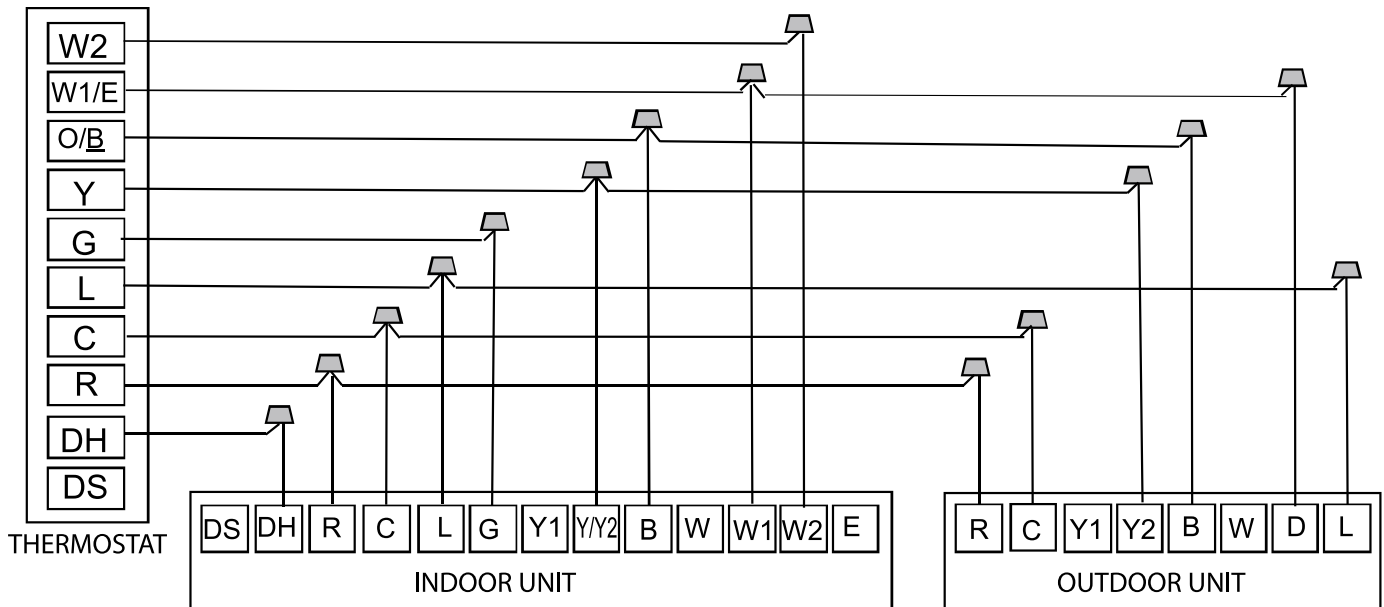
NOTE: The following wiring diagram are suitable for the AHU and ODU with 24V thermostat. Any 24 volt connections to the outdoor should only be reserved for Scenario 3 wiring. Scenario's 1 and 2 should use the S1 and S2 terminals at the outdoor unit. failure to observe this could result in damage to system components.



S4-2 Default on, DH Function off.
Turn switch off to activate DH function

S4-4 Default on, W1 and W2 shorted for single stage Aux heat operation.
Turn off to separate stages.

Fig. 27 —Wiring for 4H and 2C thermostat

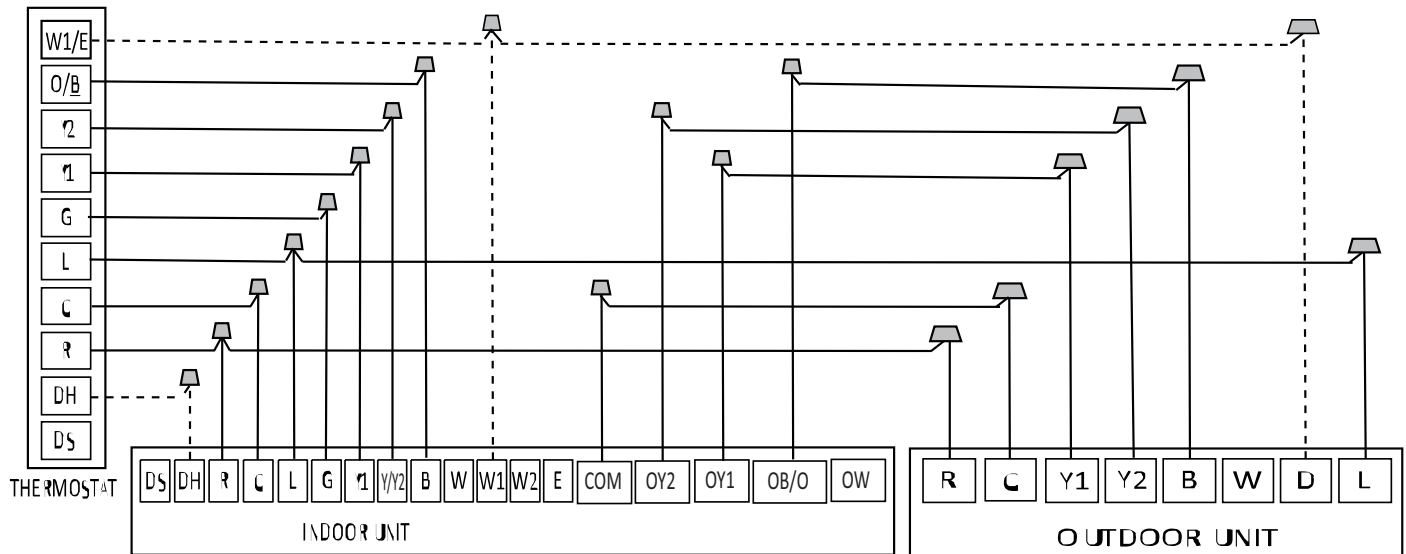


S4-2 Default on, DH Function off.
Turn switch off to activate DH function

S4-4 Default on, W1 and W2 shorted for single stage Aux heat operation.
Turn off to separate stages.

Fig. 28 —Wiring for 3H and 1C thermostat

THERMOSTAT WIRING METHODS (CONT.)



S4-2 Default on, DH function off.
Turn switch off to activate DH function.

S4-4 Default on, W1 and W2 shorted for single stage Aux heat operation. Turn off to separate stages.

Fig. 29 —Wiring for 3H and 2C thermostat

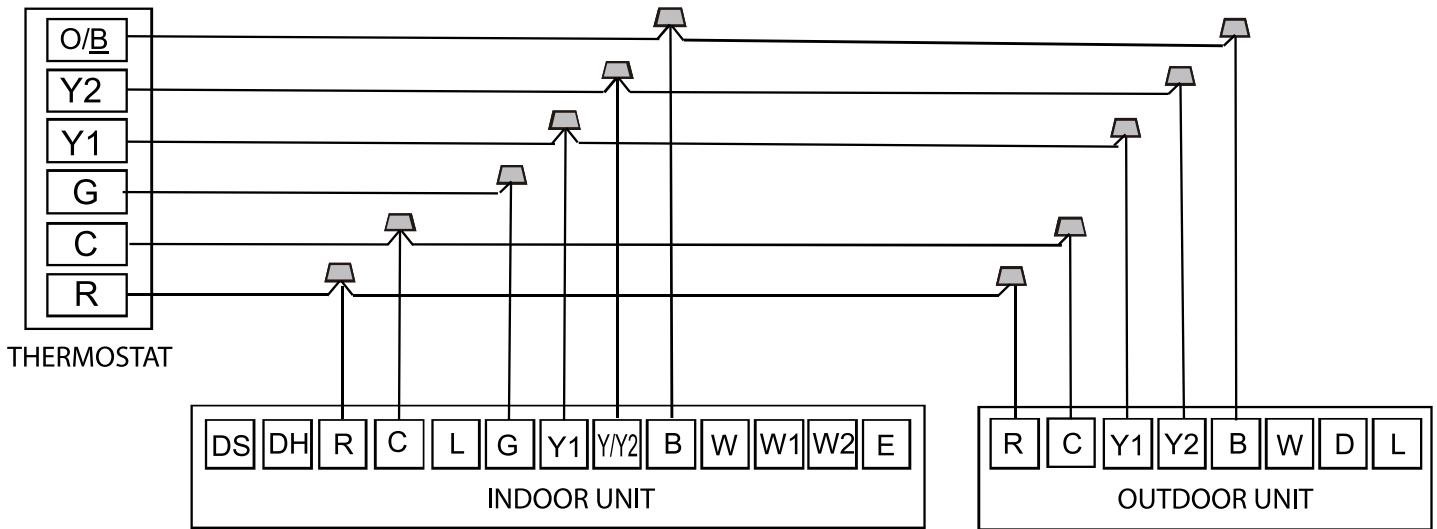
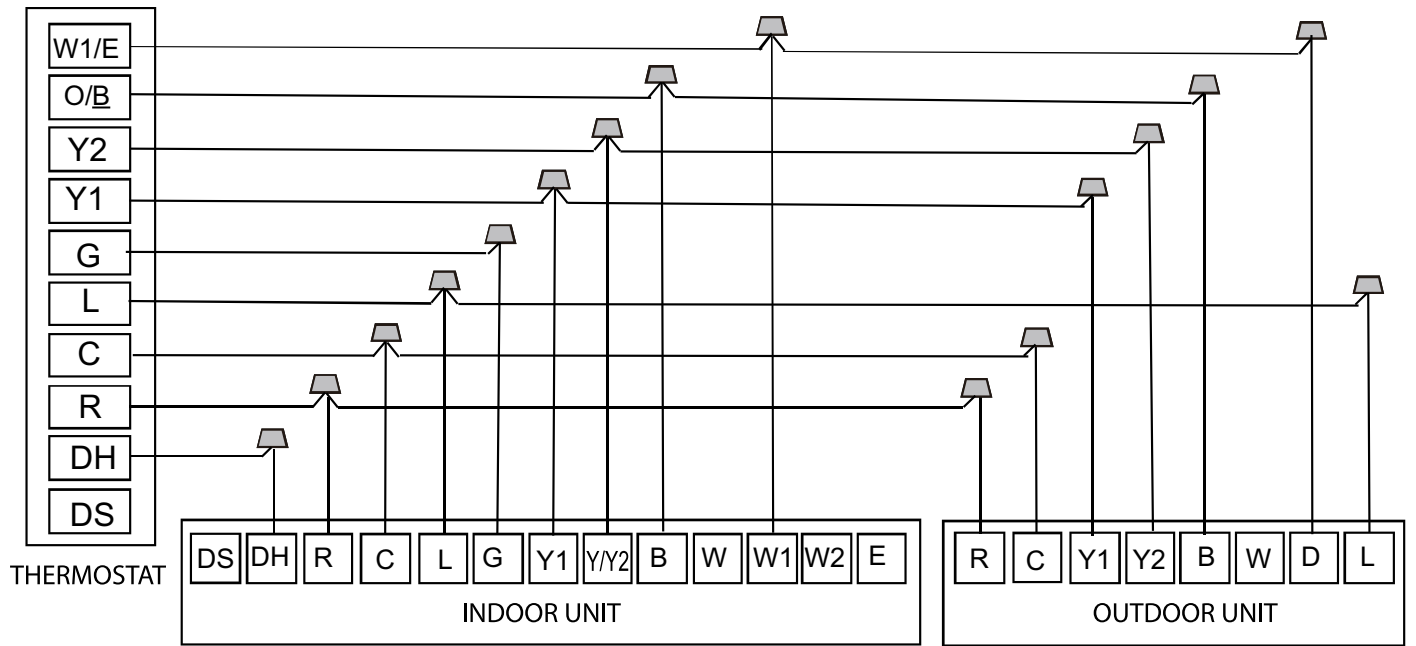


Fig. 30 —Wiring for 2H and 2C thermostat

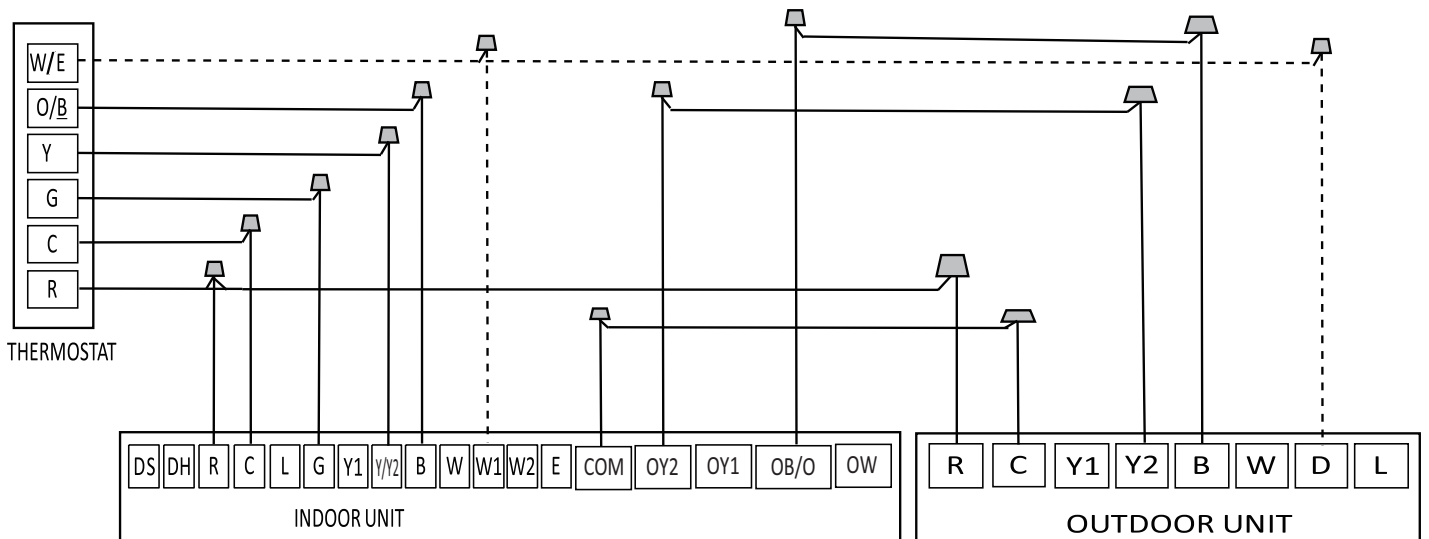
THERMOSTAT WIRING METHODS (CONT.)



S4-2 Default on, DH Function off.
Turn switch off to activate DH function

S4-4 Default on, W1 and W2 shorted for single stage Aux heat operation. Turn off to separate stages.

Fig. 31 —Wiring for 3H and 2C thermostat



S4-4 Default on, W1 and W2 shorted for single stage Aux heat operation. Turn off to separate stages.

Fig. 32 —Wiring for 2H and 1C thermostat

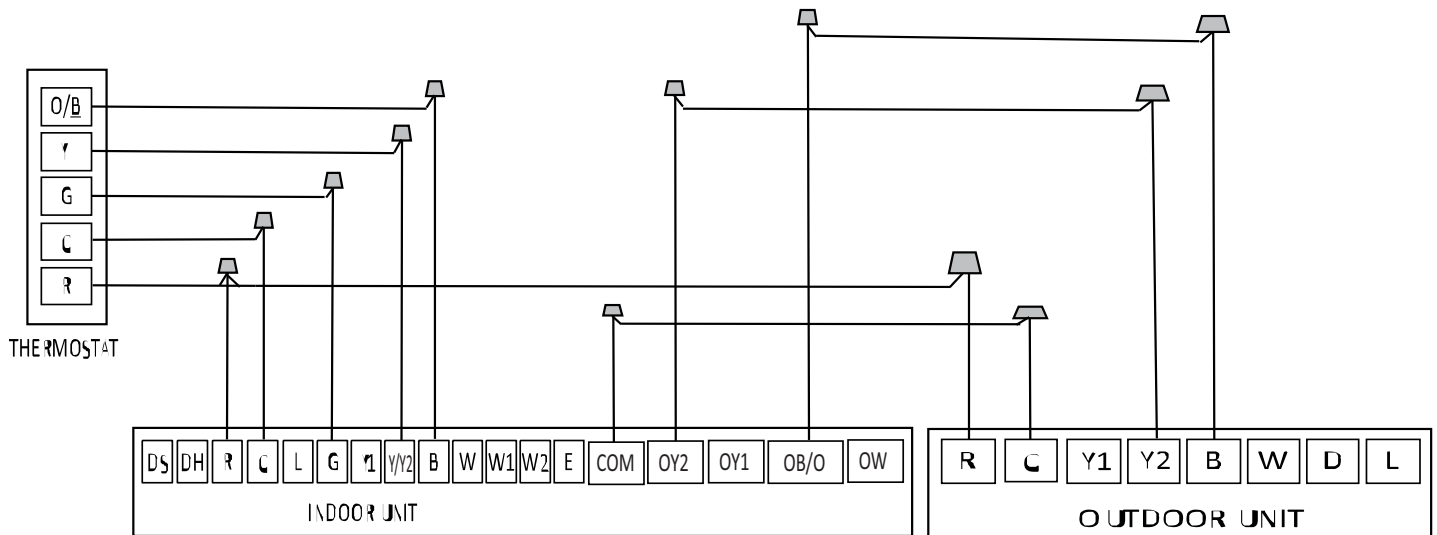


Fig. 33 —Wiring for 1H and 1C thermostat

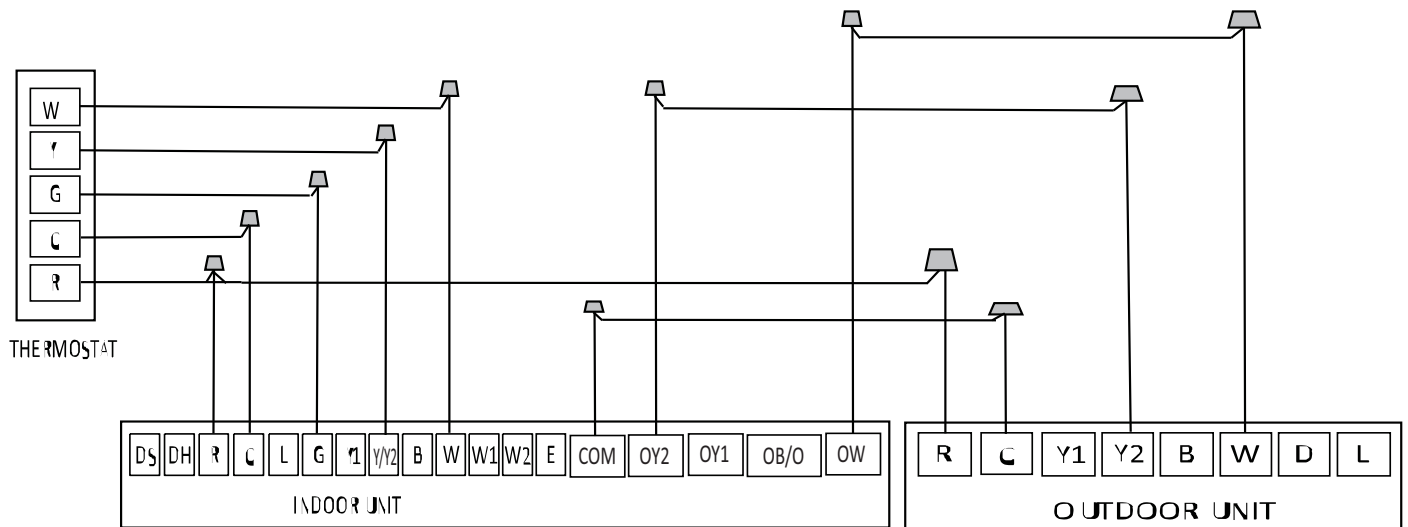


Fig. 34 —Wiring for 1H and 1C thermostat

Control Logic

Table 31 — Indoor Unit Connector

Connector	Purpose
R	24V power Connection
C	Common
Y1	Low Cooling
Y2	High Cooling
B	Heating Reversing Valve
W	Heating control
D	Defrost control
L	System Fault Signal

LED Display

The control displays unit status as well as any active fault codes on the LED display. If the unit is functioning normally, the LED will be blank. When a fault code is active, the display will flash the active fault code. Please refer to the fault code table located in the troubleshooting section of the Service Manual for detailed fault code information.

WIRING DIAGRAMS

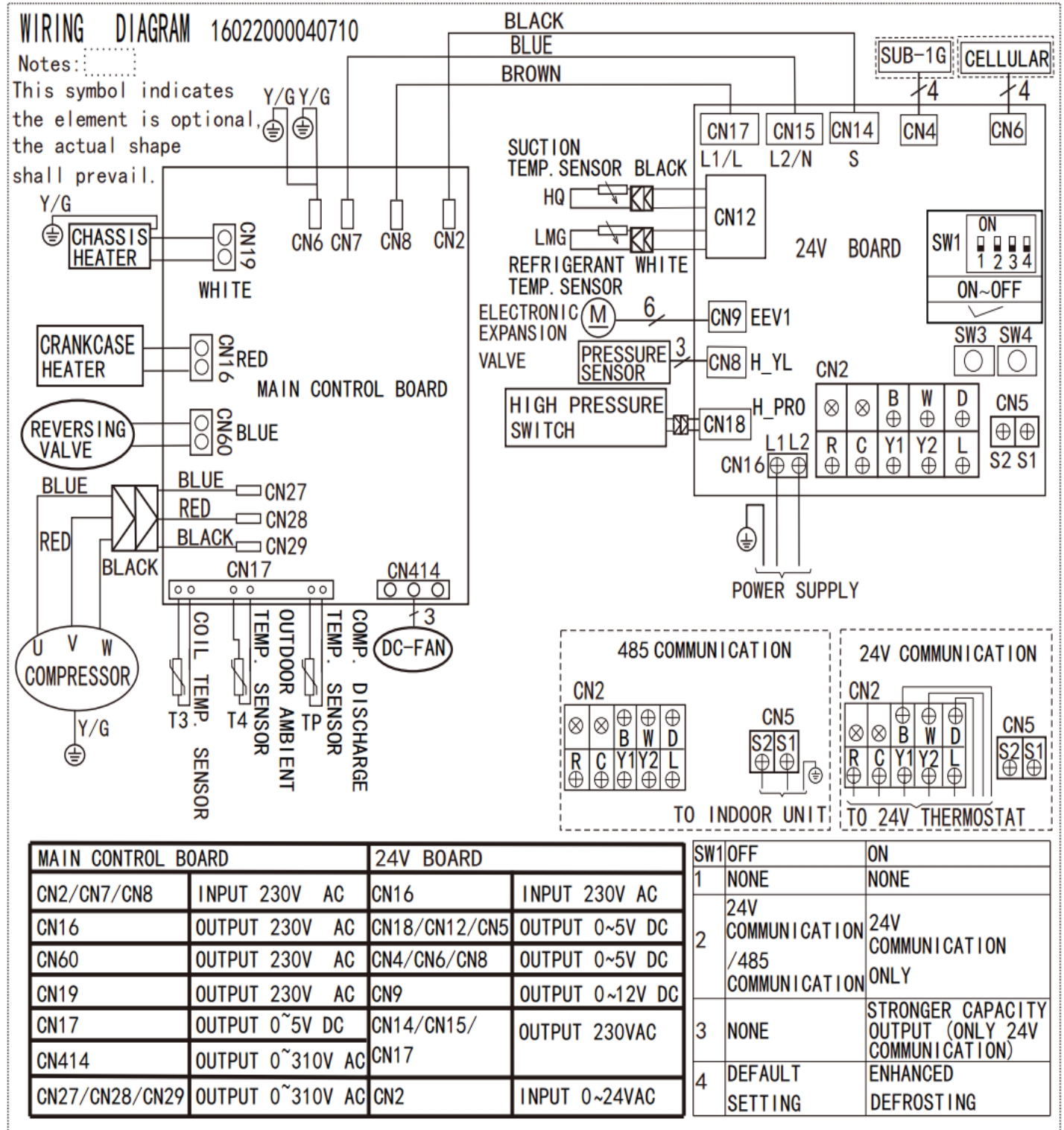


Fig. 35 — Wiring Diagram Sizes 18K and 24K

Note:

485 Communication only use the connection points at CN5 (S1 & S2).

24V Communication only use the connection points at CN2.

WIRING DIAGRAMS (CONT)

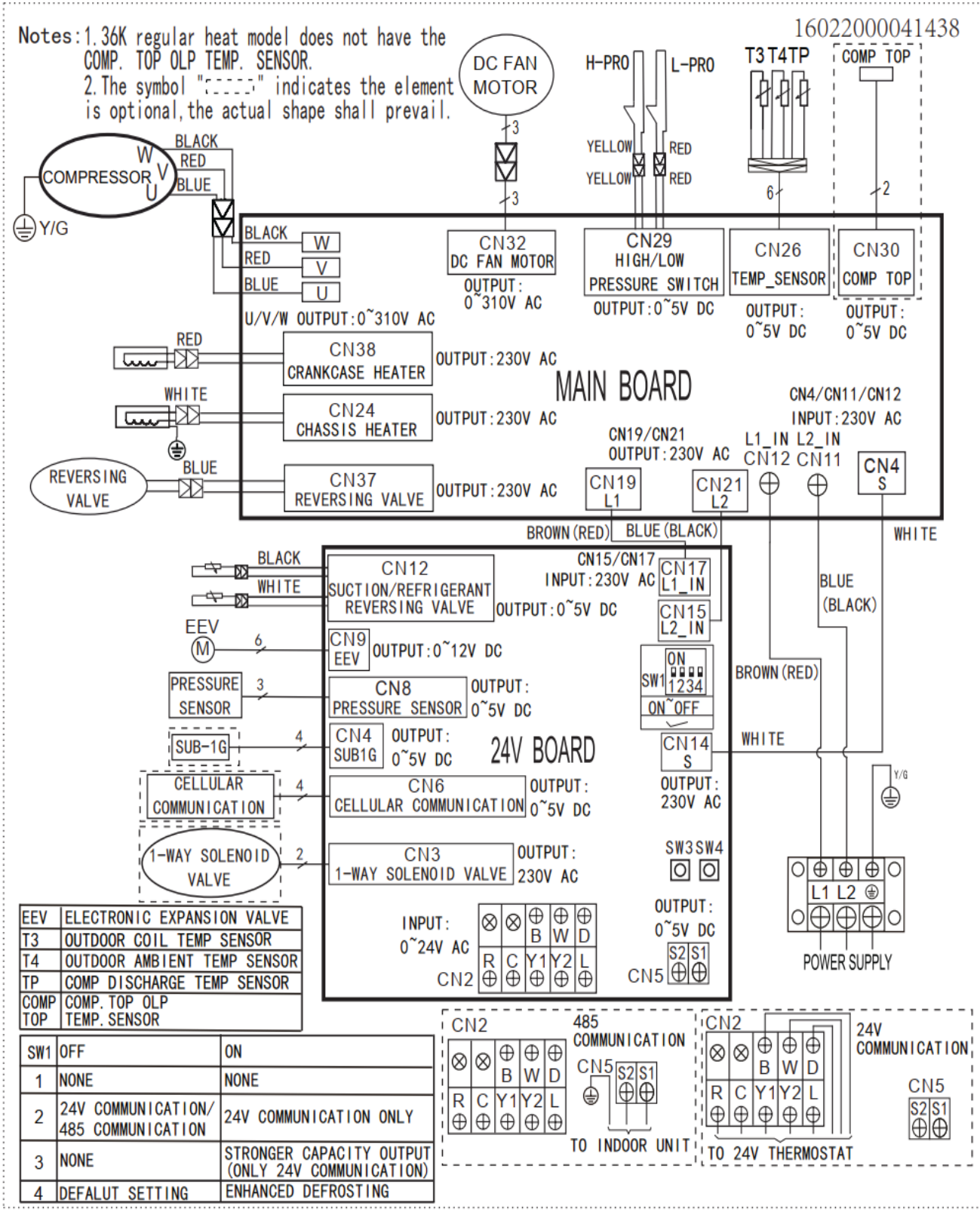


Fig. 36 — Wiring Diagram Size 30K

Note:

485 Communication only use the connection points at CN5 (S1 & S2).

24V Communication only use the connection points at CN2.

WIRING DIAGRAMS (CONT)

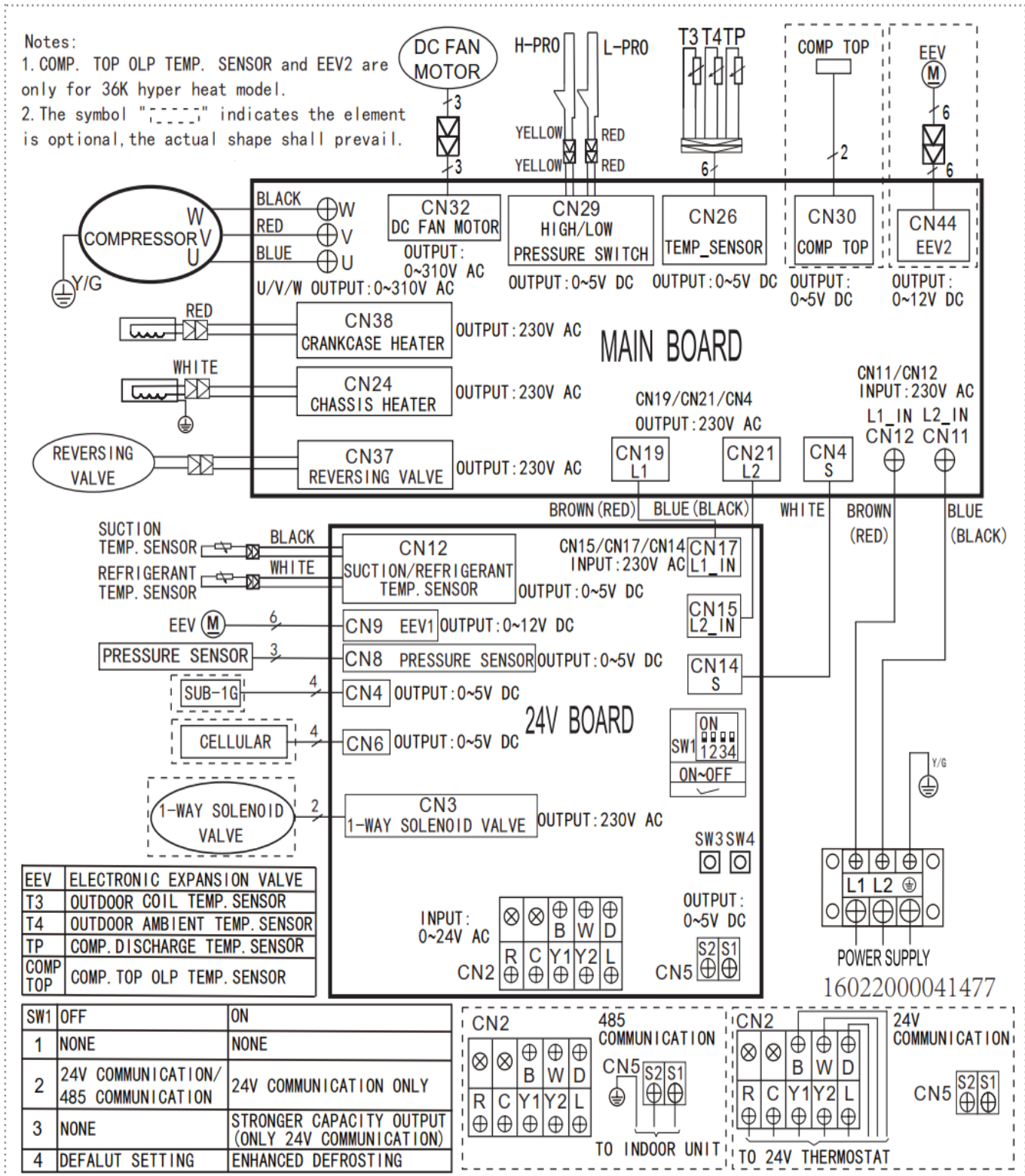


Fig. 37 — Wiring Diagram Sizes 36K - 48K

Note:

485 Communication only use the connection points at CN5 (S1 & S2).

24V Communication only use the connection points at CN2.

WIRING DIAGRAMS (CONT)

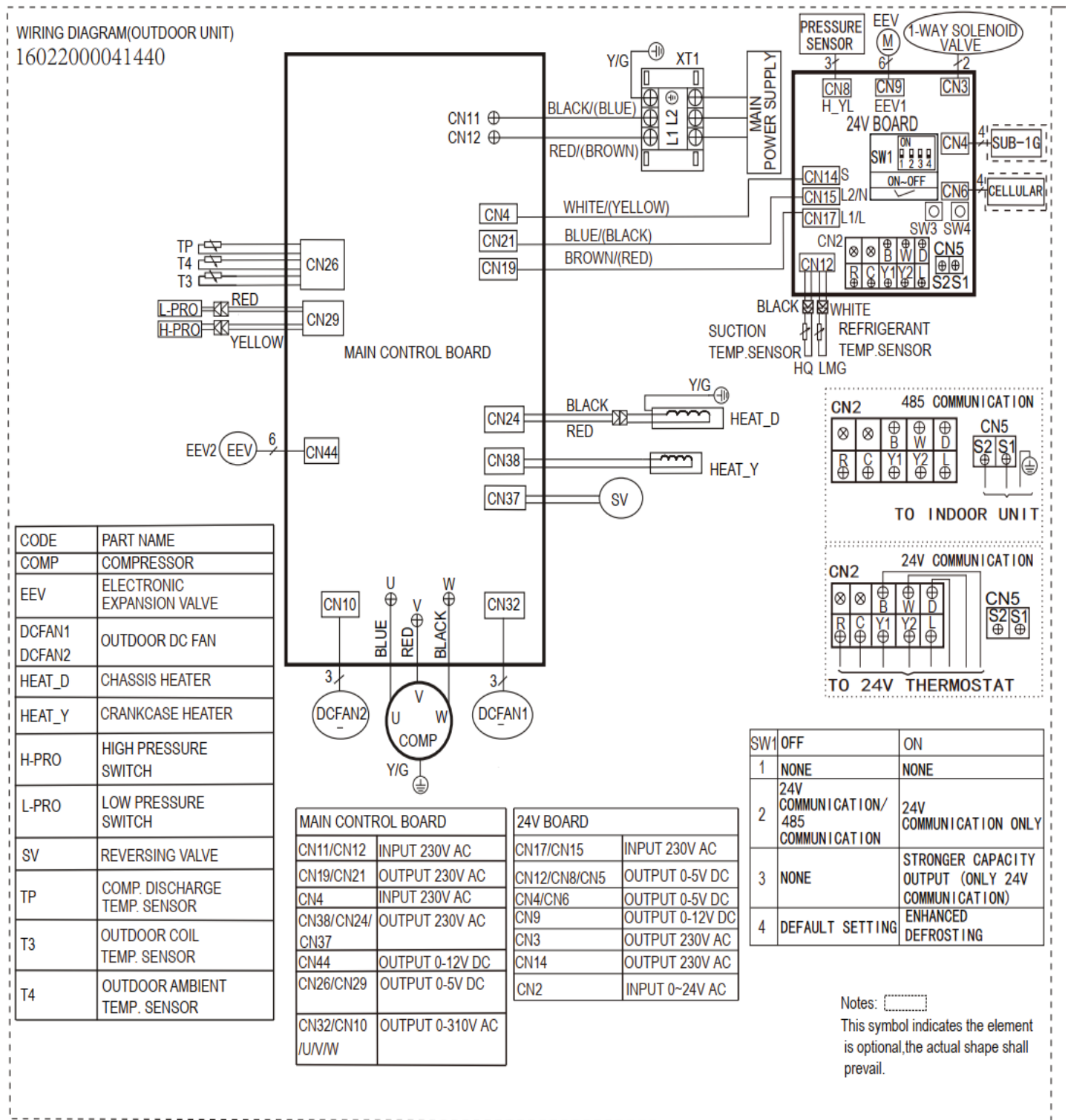


Fig. 38 — Wiring Diagram Size - 60K

Note:

485 Communication only use the connection points at CN5 (S1 & S2).

24V Communication only use the connection points at CN2.

GUIDE SPECIFICATIONS

HORIZONTAL DISCHARGE SPLIT-SYSTEM HEAT PUMP

Size Range: 1-1/2 to 5 Ton Nominal Cooling and Heating Capacity
Model Number: **D5FUHA**

Part 1 - GENERAL

1.01 System Description

1. Outdoor air-cooled split system compressor sections suitable for on-the-ground, rooftop, wall hung or balcony mounting. Units consist of a rotary compressor, an air-cooled coil, propeller-type draw-through outdoor fan, reversing valve (HP), accumulator (HP units), metering device(s), and a control box with integrated 24V and RS485 communication. Units discharge air horizontally as shown on the contract drawings. Units function as the outdoor component of an air-to-air heat pump system.
2. Units are to be used in a refrigeration circuit matched to residential heat pump fan coil units.

1.02 Agency Listings

1. Unit construction complies with ANSI/ASHRAE 15, latest revision, and with the NEC.
2. Units are evaluated in accordance with UL standard 60335-2-40.
3. Units are listed in the CEC directory.
4. Unit cabinet is capable of withstanding 500-hour salt spray test per Federal Test Standard No. 141 (method 6061).
5. Air-cooled condenser coils are leak tested at 550 psig.

1.03 Delivery, Storage, And Handling

Units are shipped in one piece and are stored and handled per unit manufacturer's recommendations.

1.04 Warranty (For Inclusion By Specifying Engineer)

Part 2 - PRODUCTS

2.01 Equipment

A. General:

Factory assembled, single piece, air-cooled outdoor unit. Contained within the unit enclosure is all the factory wiring, piping, controls, and the compressor.

B. Unit Cabinet:

1. Unit cabinet is constructed of galvanized steel, bonderized and coated with a baked-enamel finish on the inside and outside.
2. Unit access panels is removable with minimal screws and provides full access to the compressor, fan, and control components.
3. The outdoor compartment is isolated and has an acoustic lining to assure quiet operation.

C. Fans:

1. Outdoor fans are the direct drive propeller type, and discharges air horizontally. Fans draw air through the outdoor coil.
2. Outdoor fan motors are totally enclosed, single phase motors with class E insulation and permanently lubricated ball bearings. The motor shall be protected by internal thermal overload protection.
3. The shaft has inherent corrosion resistance.
4. Fan blades are non-metallic and statically and dynamically balanced.
5. Outdoor fan openings are equipped with a PVC metal/mesh coated protection grille over the fan.

D. Compressor:

1. Compressor is the fully hermetic rotary type.
2. Compressor is equipped with an oil system, operating oil charge, and a motor.
3. Motor is NEMA rated class E, suitable for operation in a refrigerant atmosphere.
4. Compressor assembly is installed on rubber vibration isolators.

E. Outdoor Coil:

The coil is constructed of aluminum pre-coated fins mechanically bonded to seamless copper tubes, which are cleaned, dehydrated, and sealed.

F. Refrigeration Components:

Refrigerant circuit components include a brass external liquid line service valve with service gage port connections, a suction line service valve with a service gage connection port, service gage port connections on compressor suction and discharge lines with Schrader type fittings with brass caps, accumulator, reversing valve.

G. Controls and Safeties:

Operating controls and safeties are factory selected, assembled, and tested. The minimum control functions include the following:

1. Controls:
 - **A time delay control sequence is provided standard through the fan coil board**
 - **Automatic outdoor fan motor protection.**
2. Safeties:
 - **System diagnostics**
 - **Compressor motor current and temperature overload protection**
 - **Outdoor fan failure protection.**

H. Electrical Requirements:

1. Unit operates on single-phase, 60 Hz power at 208/230V for unit sizes 1.5T, 2T, 2.5T, 3T, 4T, 5T, as specified.
2. Unit electrical power has a single point connection.
3. All power and control wiring must be installed per NEC and all local electrical codes.
4. The unit has high and low voltage terminal block connections.

