


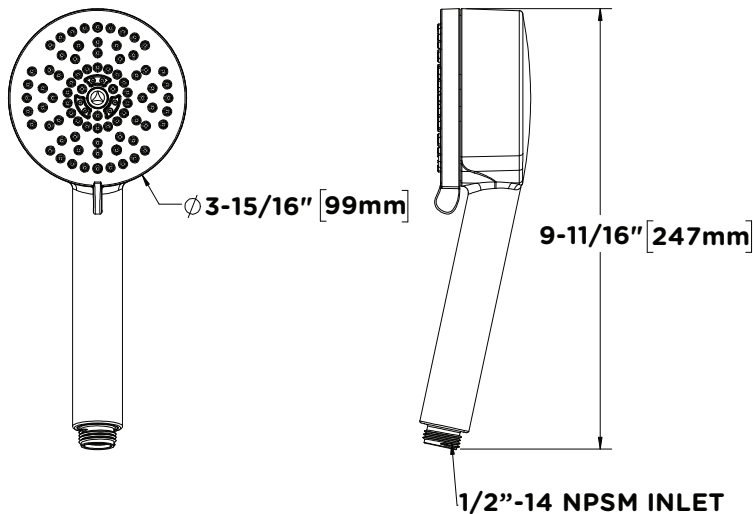
482W Location:  
 4" Single-Mode Round Hand Shower Wand  
**Specification Submittal**

<b>Model Numbers</b> <input type="checkbox"/> <b>482W</b> 4" Single-Mode HydroMersion Round Hand Shower Wand	<b>Feature Highlights</b> <ul style="list-style-type: none"> <li>• 4" round HydroMersion hand shower wand.</li> <li>• Single mode with Non-Positive Shutoff (NPSO).</li> <li>• Rubber nozzles.</li> <li>• 2.0 gpm (7.6 L/min) standard flow rate.</li> <li>• Standard Polished Chrome finish.</li> </ul>
<b>Compliance</b> -ASME® A112.18.1/CSA® B125.1 -WaterSense® 2.0 gpm (7.6 L/min) -Meets ADA requirements for operation	<b>Warranty</b> <b>Limited Lifetime</b> - for residential installations. <b>10 Years</b> - for commercial/industrial installations. Refer to <a href="http://www.symmons.com/warranty">www.symmons.com/warranty</a> for complete warranty information.
<b>Options/Modifications</b> <input type="checkbox"/> <b>BBZ</b> Brushed Bronze finish <input type="checkbox"/> <b>MB</b> Matte Black finish <input type="checkbox"/> <b>STN</b> Satin Nickel finish <input type="checkbox"/> <b>15</b> 1.5 gpm (5.7 L/min) flow restrictor	

**Architectural/Engineering Specification**

Symmons \_\_\_\_\_ 4" single-mode HydroMersion round hand shower wand. Includes 4" round hand shower wand, single mode with NPSO, rubber nozzles, 2.0 gpm (7.6 L/min) standard flow rate, and standard Polished Chrome finish. 10-Year Commercial Warranty. ASME A112.18.1/CSA B125.1 and WaterSense 2.0 gpm (7.6 L/min) compliant. Meets ADA requirements for operation. Options include: BBZ = Brushed Bronze finish, MB = Matte Black finish, STN = Satin Nickel finish, and 15 = 1.5 gpm (5.7 L/min) flow restrictor.

**Dimensions**



**⚠ WARNING:** This product can expose you to chemicals including lead, which is known to the state of California to cause cancer, birth defects, or other reproductive harm. For more information, go to [www.P65Warnings.ca.gov](http://www.P65Warnings.ca.gov).