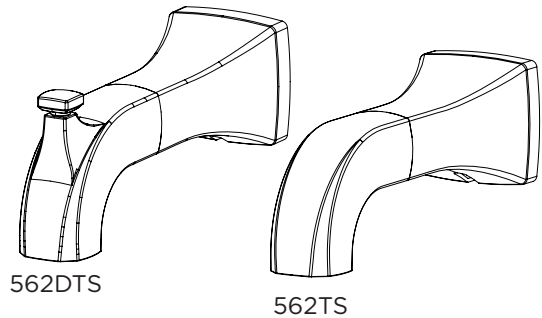





562TS, 562DTS
 Diverter Tub Spout
Specification Submittal

Location:



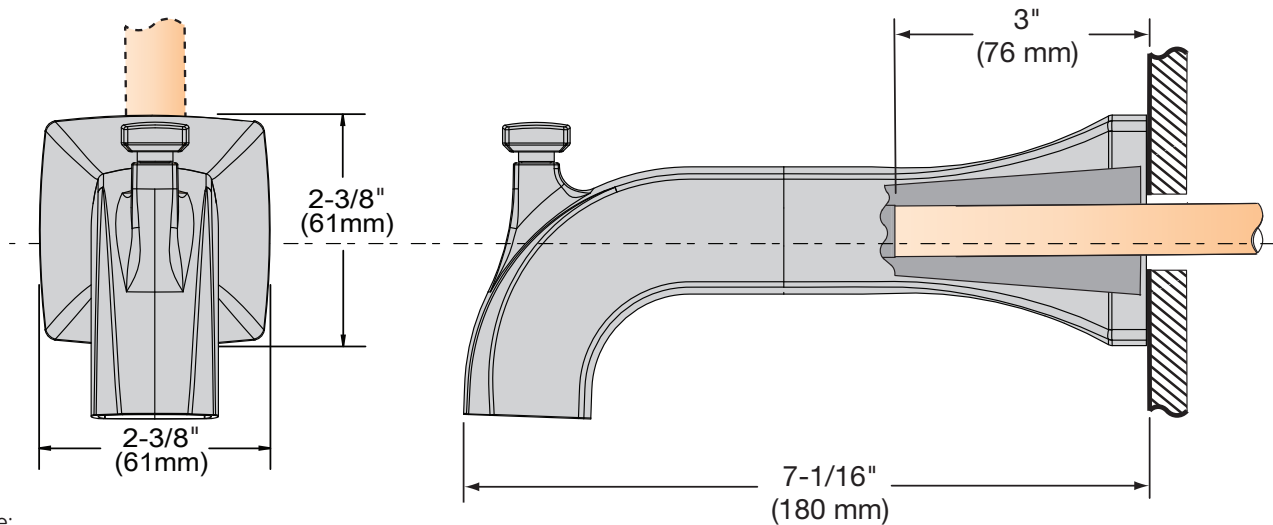
Model Numbers	Feature Highlights
<input type="checkbox"/> 562TS Tub Spout without diverter <input type="checkbox"/> 562DTS Tub Spout with diverter	<ul style="list-style-type: none"> • Metal construction. • Standard finish is Polished Chrome. • Slip on tub spout.
Options/Modifications	
<input type="checkbox"/> BBZ Brushed Bronze finish <input type="checkbox"/> MB Matte Black finish <input type="checkbox"/> STN Satin Nickel finish Note: Append appropriate suffix to model number.	Warranty Limited Lifetime - for residential installations. 10 Years - for commercial/industrial installations. Refer to www.symmons.com/warranty for complete warranty information.
Compliance <input type="checkbox"/> ASME A112.18.1/CSA B125.1.	



Architectural/Engineering Specification

Symmons Oak Diverter Tub Spout _____ Features includes metal construction. Standard finish is Polished Chrome, slip on tub spout. 10-Year Commercial Warranty. ASME A112.18.1/CSA B125.1 compliant. Available options: BBZ = Brushed Bronze finish, MB = Matte Black finish and STN = Satin Nickel finish.

Dimensions



Note:
 1) Dimensions subject to change without notice.