

5693TRM  
Shower Trim

Location:

### Specification Submittal

#### Model Numbers

- 5693TRM**  
Hand Shower Trim

**Valve Options:**

- 261 Series Temtrol Shower Valve with TRM modifier
- 161 Series Temtrol Shower Valve requires TC modifier

#### Feature Highlights

- Oak Hand Shower Trim.
- Requires Temptrol® Pressure Balancing Shower Valve.
- Metal lever handle.
- 30" slide bar for hand shower wand.
- Dual checks for backflow protection.
- 60" flexible metal hose.
- Single-Mode HydroMersion™ hand shower with Non-Positive Shutoff (NPSO).
- 2.0 gpm (7.6 L/min) flow restrictor.
- Components made from metal and nonmetal materials, plated in standard Polished Chrome finish.
- For optional in-line vacuum breaker order p/n EF-109.

#### Compliance

- ASME A112.18.1/CSA B125.1
- WaterSense 1.5 gpm (5.7 L/min) 2.0 gpm (7.6 L/min)
- Lever handle meets ADA requirements for operation.



#### Warranty

**Limited Lifetime** - for residential installations.  
**10 Years** - for commercial/industrial installations.  
Refer to [www.symmons.com/warranty](http://www.symmons.com/warranty) for complete warranty information.



#### Modifications

- 15** 1.5 gpm (5.7 L/min) flow restrictor
- L2** Less handshower
- L7** Less handle
- TC** Test Cap Trim (includes TA-10&T-12A) used with 161 series Temptrol Valve
- BBZ** Brushed Bronze finish
- MB** Matte Black finish
- STN** Satin Nickel finish

**Note:** Append appropriate suffix to model number.

#### SKU Builder

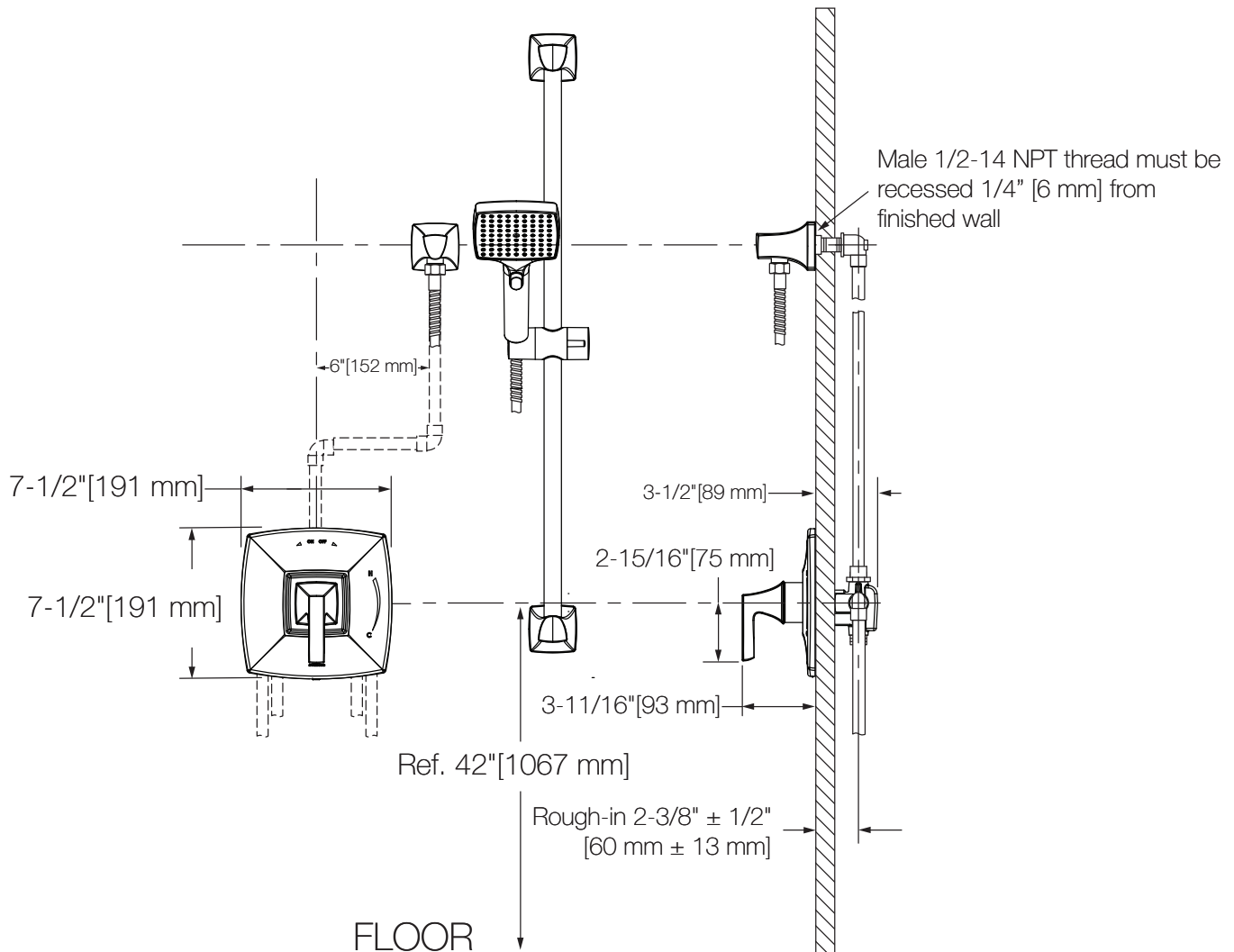
Series	Finish	Modifier	Flow Rate	Trim (required)	Test Cap	Final SKU
5693	MB	L2		TRM	TC	5693MBL2TRMTC
5693	MB			TRM		5693MBTRM

**Note:** No more than two modifiers (L1-L7) permitted when ordering. Modifiers will list in numerical order.

#### Architectural/Engineering Specification

Symmons Oak Shower Trim \_\_\_\_\_ Includes Oak Hand Shower Trim powered by Temptrol® Pressure Balancing Shower Valve. Features include metal lever handle, 30" slide bar for hand shower wand, dual checks for backflow protection, 60" flexible metal hose, single-mode HydroMersion hand shower with NPSO, 2.0 gpm (7.6 L/min) flow restrictor. Components made from metal and nonmetal materials, plated in standard Polished Chrome finish. For optional in-line vacuum breaker order p/n EF-109. 10 Year Commercial Warranty, ASME A112.18.1/CSA B125.1, WaterSense 1.5/2.0 complaint. Lever handle meets ADA requirements for operation. Available options: 15 = 1.5 gpm (5.7 L/min) flow restrictor, L2 = Less handshower, L7 = Less handle, TC = Test Cap Trim, BBZ = Brushed Bronze finish, MB = Matte Black finish, STN = Satin Nickel finish.

## Dimensions



### Notes:

- 1) Valve body and piping not included and shown as reference only.
- 2) Plaster shield (p/n T-176) for dry wall, plaster or other type walls 1/2" or greater.
- 3) All dimensions measured from nominal rough-in (see 2-3/8" ± 1/2" [60 mm ± 13 mm] as reference).
- 4) Dimensions subject to change without notice.