


SLC5912PP Location:
Two Handle Centerset Lavatory Faucet
Specification Submittal

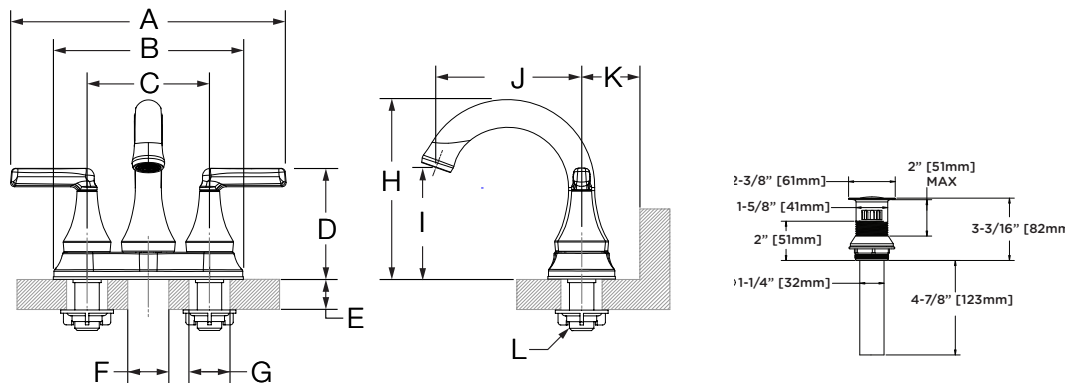
Model Numbers	Feature Highlights
<input type="checkbox"/> SLC5912PP Two Handle Centerset Lavatory Faucet with Push-Pop Drain Assembly	<ul style="list-style-type: none"> • 4" mount. • Quarter turn ceramic cartridges. • 1/2" IPS inlet connections. • Push-Pop drain assembly. • 1.0 gpm (3.8 L/min) standard flow rate. • Components shall be metal and nonmetal construction. • Plated in standard Polished Chrome finish.
Options/Modifications	Warranty
<input type="checkbox"/> 05 0.5 gpm (1.9 L/min) flow rate restrictor <input type="checkbox"/> STN Satin Nickel finish	<p>Limited Lifetime - for residential installations. 10 Years - for commercial/industrial installations. Refer to www.symmons.com/warranty for complete warranty information.</p> 
Note: Append appropriate -suffix to model number.	
Compliance - ASME® A112.18.1/CSA® B125.1 - NSF/ANSI/CAN 61: Q<1, NSF/ANSI 372 - WaterSense® 1.0 gpm (3.8 L/min)	



Architectural/Engineering Specification

Symmons Birch® two handle centerset lavatory faucet _____. Features 4" mount, Push-Pop drain assembly, quarter-turn ceramic cartridges, 1/2" IPS inlet connections, and 1.0 gpm (3.8 L/min) standard flow rate. Components shall be metal and nonmetal construction. Plated in standard Polished Chrome finish. 10-Year commercial Warranty. ASME A112.18.1/CSA B125.1, NSF/ANSI/CAN 61: Q<1, NSF/ANSI 372, WaterSense 1.0 gpm (3.8 L/min) compliant. Available options: 05 = 0.5 gpm (1.9 L/min) flow rate restrictor, and STN = Satin Nickel finish.

Dimensions



Measurements	
A	9", 228 mm
B	6-3/16", 158 mm
C	4", 102 mm
D	3-5/8", 92 mm
E	Deck Thickness Ref. Max. 1-1/4", 32 mm
F	Hole Size Min. Ø 1", 25 mm Max. Ø 1-1/8", 29 mm
G	(2x) Hole Size Min. Ø 1-1/8", 29 mm Max. Ø 1-1/4", 32 mm
H	5-7/8", 149 mm
I	3-5/8", 92 mm
J	4-3/4", 121 mm
K	1-3/4", 44 mm
L	1/2-14 NPSM

Note: Dimensions subject to change without notice.