

SPECIFICATION:

JOSAM 71000 SERIES CAST BRONZE NON-FREEZE WALL HYDRANT WITH 3/4" H.P.T. OUTLET, SATIN FINISH STAINLESS STEEL BOX AND HINGED LATCHING COVER, INTEGRAL VACUUM BREAKER-BACKFLOW PREVENTER, PRESSURE RELIEF VALVE, BRONZE CASING, BRONZE OPERATING PARTS CONVERTIBLE INTO SERVICE TOOL, 3/4" FEMALE AND 1" MALE N.P.T. INLET CONNECTION.

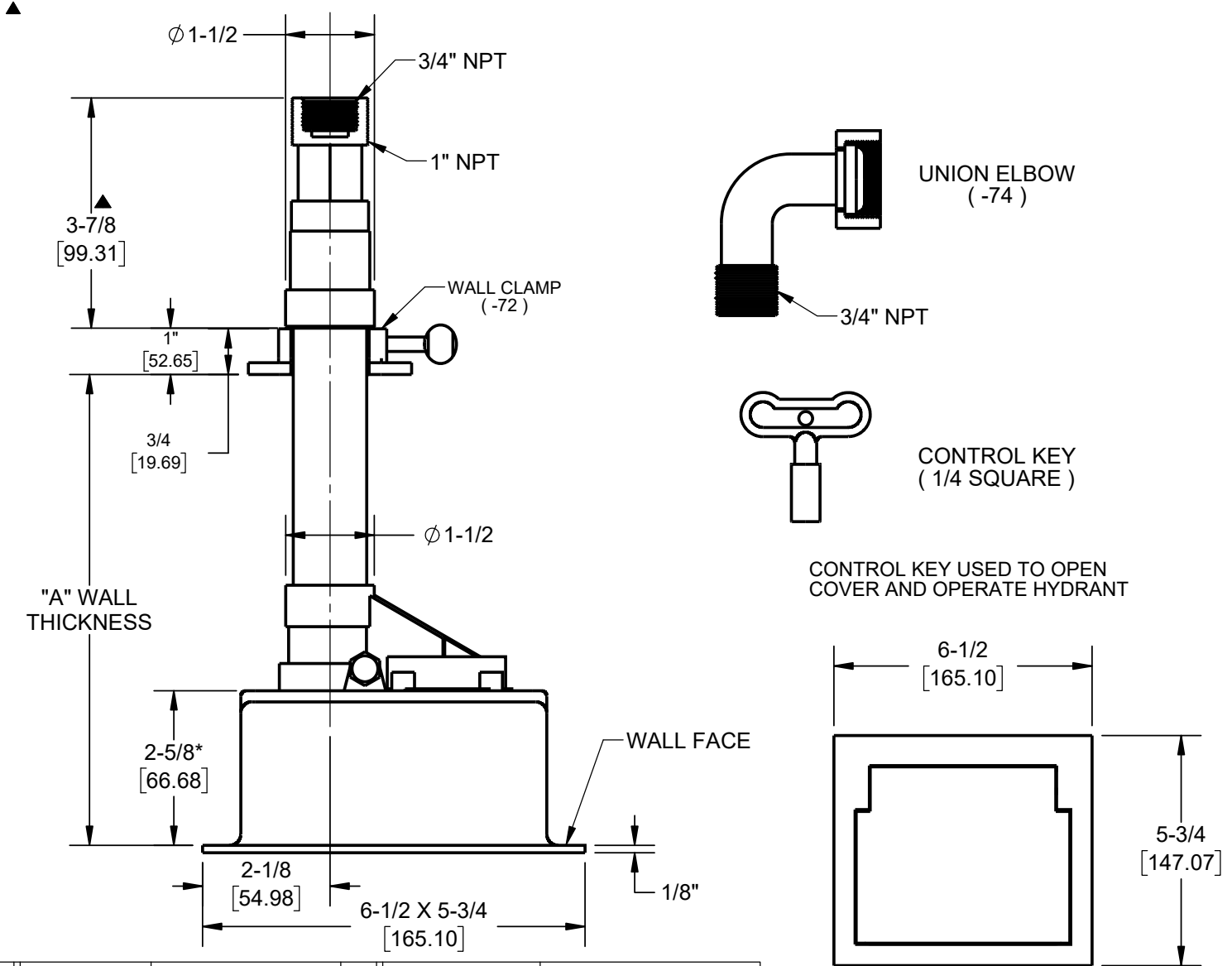
HYDRANTS

HYDRASAN® 1 NON-FREEZE W/ BOX

SERIES

71000

WHEN UNION ELBOW IS USED, THIS DIM. IS 6-3/8 OVERALL



TYPE	DIM. "A"	TYPE	DIM. "A"
71000-4	4-3/4	71000-16	16-3/4
71000-6	6-3/4	71000-18	18-3/4
71000-8	8-3/4	71000-20	20-3/4
71000-10	10-3/4	71000-22	22-3/4
71000-12	12-3/4	71000-24	24-3/4
71000-14	14-3/4		

WALL OPENING 4-3/4 x 6-1/4

*** BOX DEPTH IS 1-5/8 ON NIKALOY & BRONZE BOXES**

* -52	SATIN FINISH FACE, CAST BRONZE BOX	-74	UNION ELBOW ASSEMBLY
* -54	SATIN FINISH FACE, CAST NIKALOY BOX	-91	1" HOSE PIPE THREADED OUTLET
-72	WALL CLAMP	-95	CYLINDER SECURED LOCK
-73	SOLDER INLET ADAPTER	-CP	CHROME PLATED BRONZE BOX

DATE OF LAST CHANGE: 05/23/18

DIMENSIONS ARE SUBJECT TO MANUFACTURERS TOLERANCES AND CHANGE WITHOUT NOTICE. WE CAN ASSUME NO RESPONSIBILITY FOR USE OF SUPERSEDED OR VOID DATA.

JOSAM

MICHIGAN CITY, INDIANA

NOTES

WARNING: Cancer and Reproductive Harm - www.P65Warnings.ca.gov