

# D5CURA Outdoor Unit Single Zone Heat Pump System Sizes 1-1/2 to 5 Nominal Tons



## Product Data



Fig. 1 – Typical Unit

**NOTE:** Images are for illustration purposes only. Actual models may differ slightly.

### INDUSTRY LEADING FEATURES / BENEFITS

#### Energy Efficiency

- 15.2 – 18.8 SEER2; 10 – 13 EER2 B2; 8.4 – 9.2 HSPF2 IV

#### Sound

- Levels as low as 55 dB(A)

#### Design Features

- Small Footprint
- Integrated 24V and RS-485 communications

#### Reliability, Quality, and Toughness

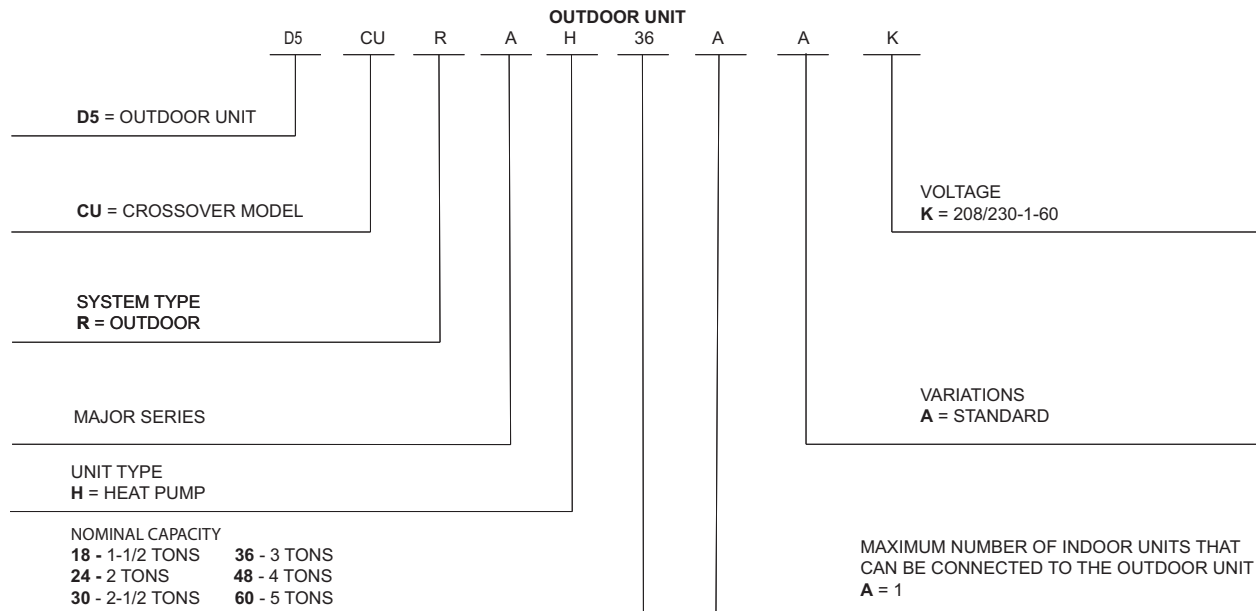
- Inverter-driven, variable speed, rotary Compressor
- Line lengths up to 246' (75 m)
- Low ambient operation on high heat models down to -22°F (-30°C) without the use of wind baffles
- Conventional line set sizes

**NOTE:** Ratings contained in this document are subject to change at any time. Always refer to the AHRI directory ([www.ahridirectory.org](http://www.ahridirectory.org)) for the most up-to-date ratings information.

### TABLE OF CONTENTS

MODEL NUMBER NOMENCLATURE .....	2
STANDARD FEATURES AND ACCESSORIES .....	2
Table 1 – Features .....	2
Table 2 – Accessories .....	2
DIMENSIONS .....	3
Table 3 – Dimensions and Weights .....	3
PERFORMANCE RATINGS .....	7
CLEARANCES .....	7
SPECIFICATIONS .....	9
Table 4 – Comprehensive Specifications .....	9
COOLING PERFORMANCE .....	11
Table 5 – 18K Cooling — D5CURA + D5FUAA .....	12
Table 6 – 24K Cooling — D5CURA + D5FUAA .....	16
Table 7 – 30K Cooling — D5CURA + D5FUAA .....	20
Table 8 – 36K Cooling — D5CURA + D5FUAA .....	24
Table 9 – 48K Cooling — D5CURA + D5FUAA .....	28
Table 10 – 60K Cooling — D5CURA + D5FUAA .....	32
HEATING PERFORMANCE .....	36
Table 11 – 18K Heating — D5CURA + D5FUAA .....	36
Table 12 – 24K Heating — D5CURA + D5FUAA .....	38
Table 13 – 30K Heating — D5CURA + D5FUAA .....	40
Table 14 – 36K Heating — D5CURA + D5FUAA .....	42
Table 15 – 48K Heating — D5CURA + D5FUAA .....	44
Table 16 – 60K Heating — D5CURA + D5FUAA .....	46
APPLICATION DATA .....	48
WIRING .....	48
Table 17 – Communication Wiring .....	48
SPECIFIC WIRING METHODS .....	49
Table 18 – Terminal Functions .....	50
24V WIRING .....	50
Table 19 – Jumper Usage for Thermostat Wiring .....	50
AIR FLOW DATA .....	51
Table 20 – Airflow Data .....	51
SOUND PRESSURE AND SOUND POWER .....	51
Table 21 – Sound Pressure and Sound Power .....	51
SOUND PRESSURE IN OCTAVE BANDS .....	51
CAPACITY CORRECTION FACTOR FOR REFRIGERANT LINE SIZE DIAMETER .....	52
Table 22 – Outdoor Unit Sound Pressure Test Conditions .....	52
REFRIGERANT CYCLE DIAGRAMS .....	53
FAN AND MOTOR AND ELECTRICAL SPECIFICATIONS .....	58
WIRING DIAGRAMS .....	58
GUIDE SPECIFICATIONS .....	63

# MODEL NUMBER NOMENCLATURE



Use of the AHRI Certified TM Mark indicates a manufacturer's participation in the program. For verification of certification for individual products, go to [www.ahridirectory.org](http://www.ahridirectory.org).



## STANDARD FEATURES AND ACCESSORIES

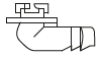

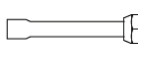

Table 1 – Features

<b>Ease Of Installation</b>	
Low Voltage Controls	S
<b>Comfort Features</b>	
Microprocessor Control	S
Auto Restart Function	S
Auto Changeover	S
<b>Energy Saving Features</b>	
Inverter Driven Compressor	S
46° F Heating Mode (Heating Setback)	S
<b>Safety And Reliability</b>	
3 Minute Time Delay For Compressor	S
High Compressor Discharge Temperature	S
Low Voltage Protection	S
Compressor Overload Protection	S
Compressor Over Current Protection	S
IPM Module Protection	S
Condenser High Temperature Protection in Cooling Mode	
Aluminum Hydrophilic pre-coated fins	S
<b>Ease Of Service And Maintenance</b>	
Diagnostics	S
Liquid Line Pressure Taps	S
<b>Application Flexibility</b>	
Crankcase Heater	S
Base pan Heater	S

**LEGEND**  
S - Standard  
A - Accessory

## ACCESSORIES

Table 2 – Accessories

Name	Image	Qty
Drain Fitting		1
Gasket		1
Flare-to-Braze Adapter		1
5/8 Flare to 3/4 Flare Adapter (for 18K Regular Heat Series)		1
6 feet of Drain Tubing		1

### Outdoor Units

#### Crankcase Heater

The crankcase heater is standard on all unit sizes. Heater clamps must be placed around the compressor oil sump.

#### Base pan Heater

The base pan heater is standard on all unit sizes.

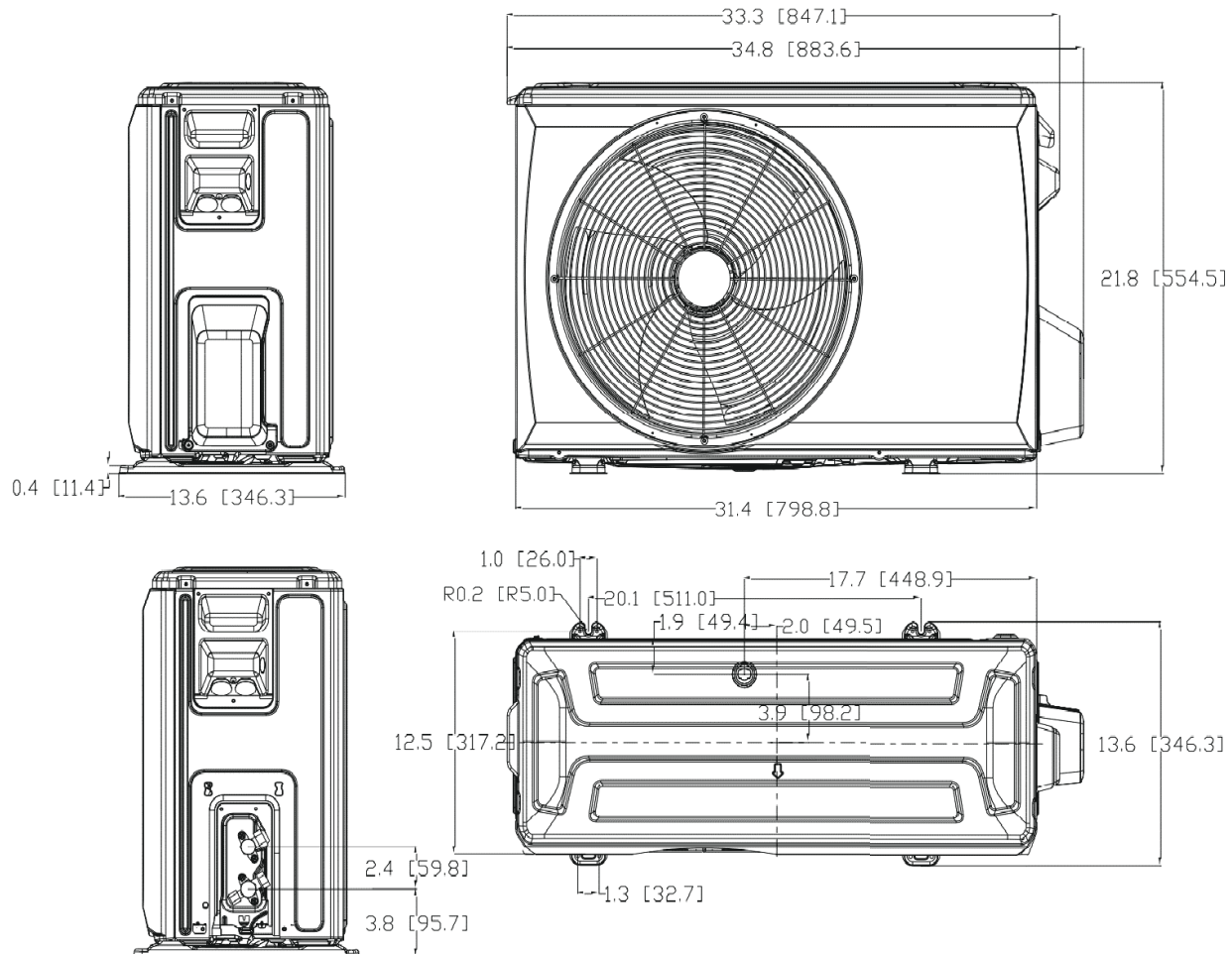
#### Long Line Piping Length

Piping flexibility up to a total piping length of 246ft. (75m).

# DIMENSIONS

**Table 3 – Dimensions and Weights**

System Size		18K	24K	30K	36K	48K	60K
		(208/230 V)	(208/230 V)	(208/230 V)	(208/230 V)	(208/230 V)	(208/230 V)
Height (H)	in	21.81	26.5	31.89	31.89	38.39	38.39
	mm	554	673	810	810	975	975
Width (W)	in	31.69	35.04	37.24	37.24	38.58	38.58
	mm	805	890	946	946	980	980
Depth (D)	in	12.99	13.46	16.14	16.14	16.34	16.34
	mm	330	342	410	410	415	415
Weight -Net	lbs.	77.16	102.29	141.76	153.22	192.9	192.9
	kg	35	46.4	64.3	69.5	87.5	87.5
<b>Packaging</b>							
Height (H)	in	24.21	29.13	34.84	34.84	42.52	42.52
	mm	615	740	885	885	1080	1080
Width (W)	in	36.02	39.17	42.91	42.91	45.08	45.08
	mm	915	995	1090	1090	1145	1145
Depth (D)	in	14.57	15.67	19.68	19.68	19.68	19.68
	mm	370	398	500	500	500	500
Weight-Gross	lbs.	83.77	109.13	152.34	163.58	224.21	224.21
	kg	38	49.5	69.1	74.2	101.7	101.7



**Fig. 2 – Size 18K**

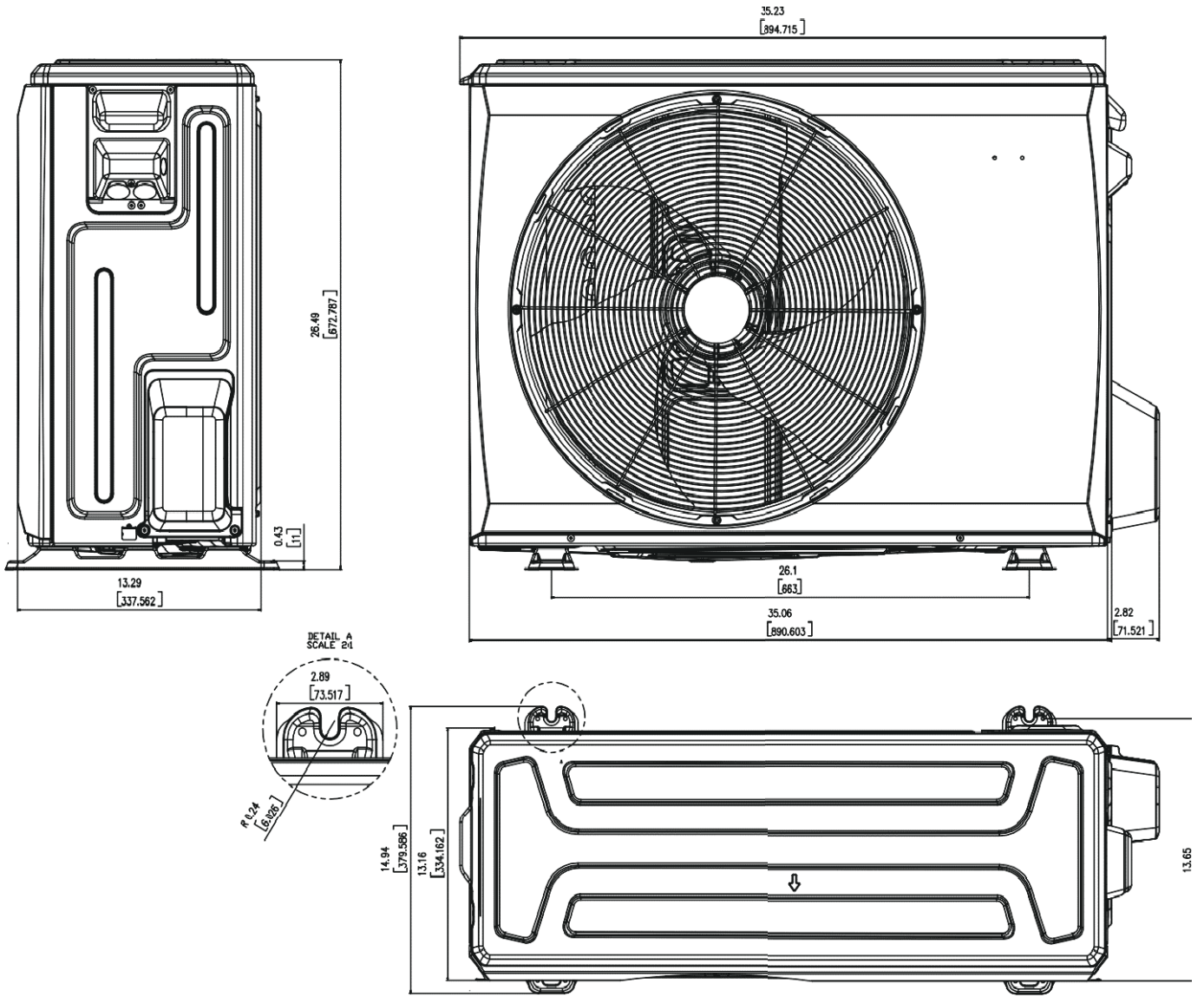


Fig. 3 – Size 24K

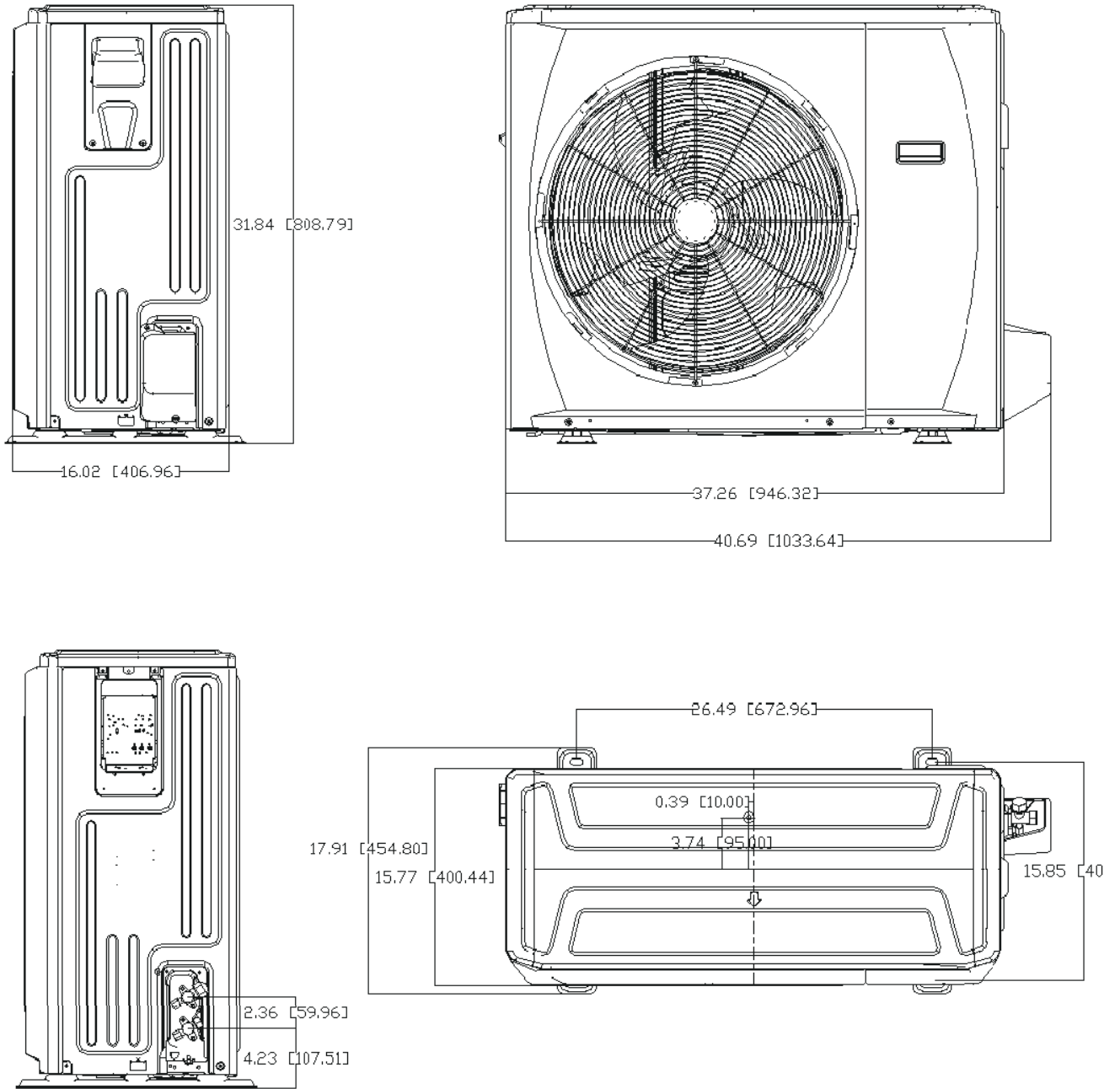


Fig. 4 – Sizes 30/36K

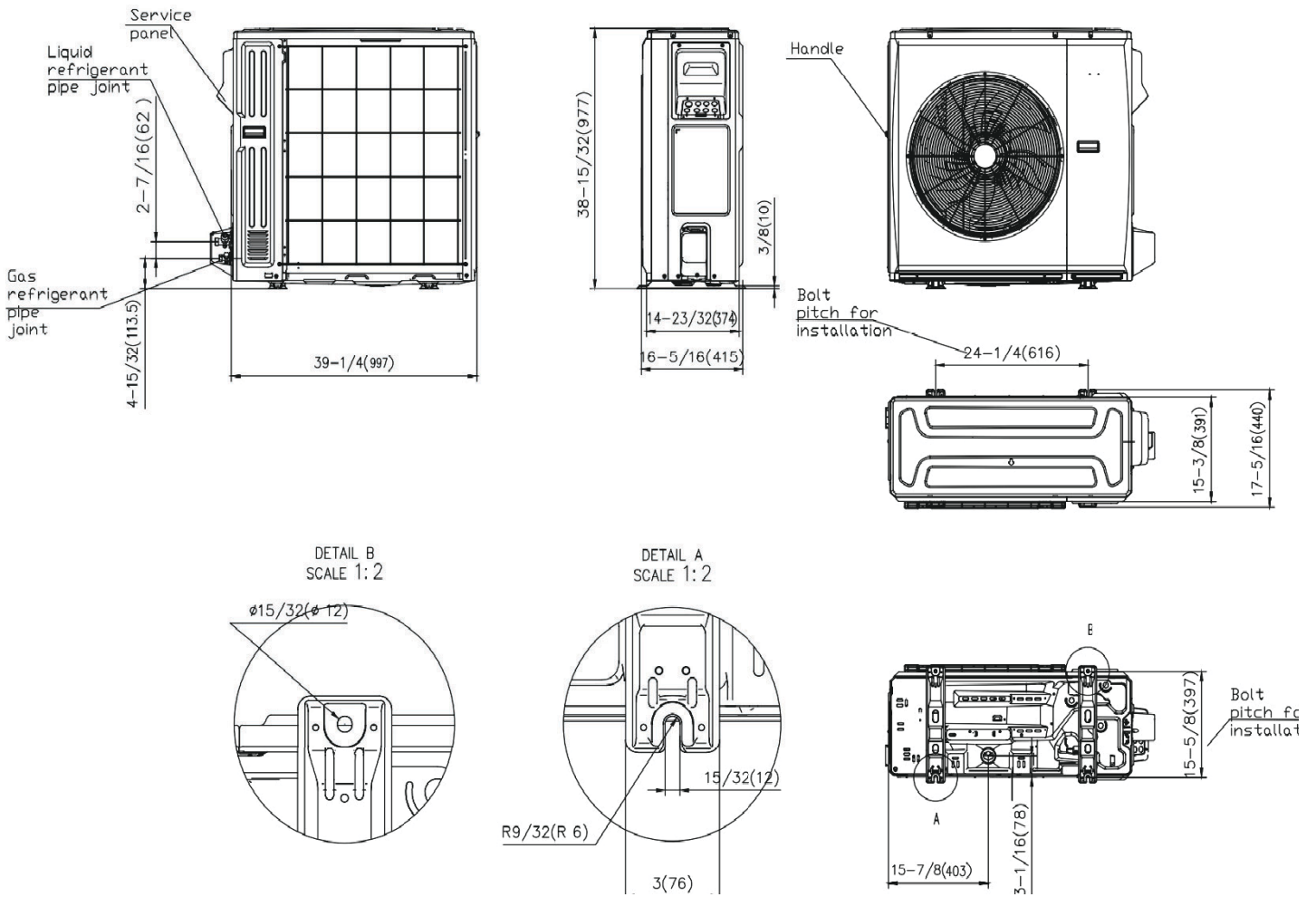


Fig. 5 – Sizes 48/60K

## PERFORMANCE RATINGS

Indoor model		D5FUA AH18XAK	D5FUA AH24XAK	D5FUA AH30XAK	D5FUA AH36XAK	D5FUA AH48XAK	D5FUA AH60XAK	
Outdoor model		D5CURAH18AAK	D5CURAH24AAK	D5CURAH30AAK	D5CURAH36AAK	D5CURAH36AAK	D5CURAH60AAK	
Power supply		V; Ph;Hz 208/230V; 1Ph;60HZ	208/230V; 1Ph;60HZ	208/230V; 1Ph;60HZ	208/230V; 1Ph;60HZ	208/230V; 1Ph;60HZ	208/230V; 1Ph;60HZ	
Performance Data	Cooling Rated Capacity (DOE A2 - 95°F)	Btu/h	18000	24000	30000	36000	48000	54000
	Cooling Capacity Range	Btu/h	5350~20000	7200~27000	10400~34000	8300~38900	16600~49900	21000~55000
	SEER2	Btu/h.W	18.8	18.2	17	16.2	16	15.2
	EER2 (DOE A2 - 95°F)	Btu/h.W	11	11	10.8	10	10	8.7
	Heating Rated Capacity (DOE H12 - 47°F)	Btu/h	18000	26000	31000	36000	48000	54000
	Heating Capacity Range	Btu/h	5600~19000	7100~30000	6400~32000	6700~41300	15300~49500	26000~55000
	COP (DOE H12 - 47°F)	W/W	3.15	3.18	3.5	3.4	3.45	3.37
	HSPF2 IV	Btu/h.W	9.2	9.7	8.5	8.7	8.5	8.4
	HSPF2 V	Btu/h.W	7	7.7	6.6	7	7.2	6.8
	Cooling Rated Capacity (DOE B2 - 82°F)	Btu/h	18800	25600	32400	36400	44000	55000
	EER (DOE B2 - 82°F)	Btu/h.W	13	13.8	13.5	12.1	10.9	10
	Heating Rated Capacity (DOE H32 - 17°F)	Btu/h	12600	20000	18500	25600	32400	33000
	COP (DOE H32 - 17°F)	W/W	2.6	2.42	2.4	2.6	2.47	2.34
	Heating Maximum Capacity (17°F)	Btu/h	12600	22000	20600	30000	39000	40000
	Heating Rated Capacity (DOE H42 - 5°F)	Btu/h	11200	21600	19100	27000	38000	38000
	COP (DOE H42 - 5°F)	W/W	2	1.87	2	2	1.85	1.8
Heating Maximum Capacity (5°F)	Btu/h	11200	21600	19100	27000	38000	38000	

## CLEARANCES

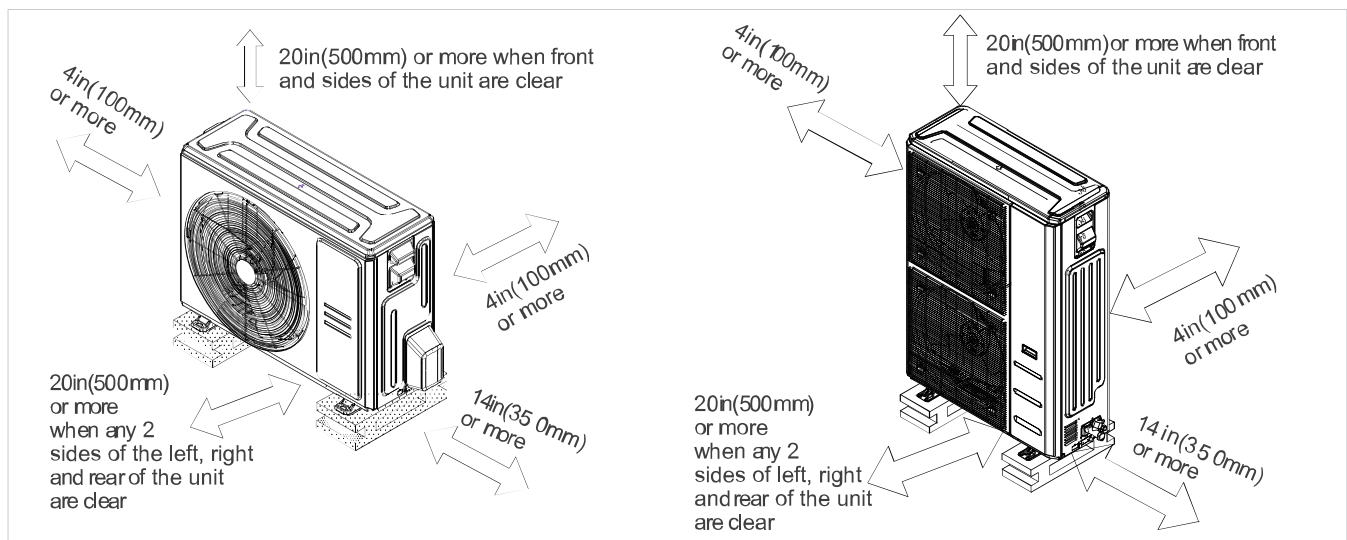


Fig. 6 – Clearances

**NOTE:** The outdoor unit must be mounted at least 2in (50mm) above the maximum anticipated snow depth.

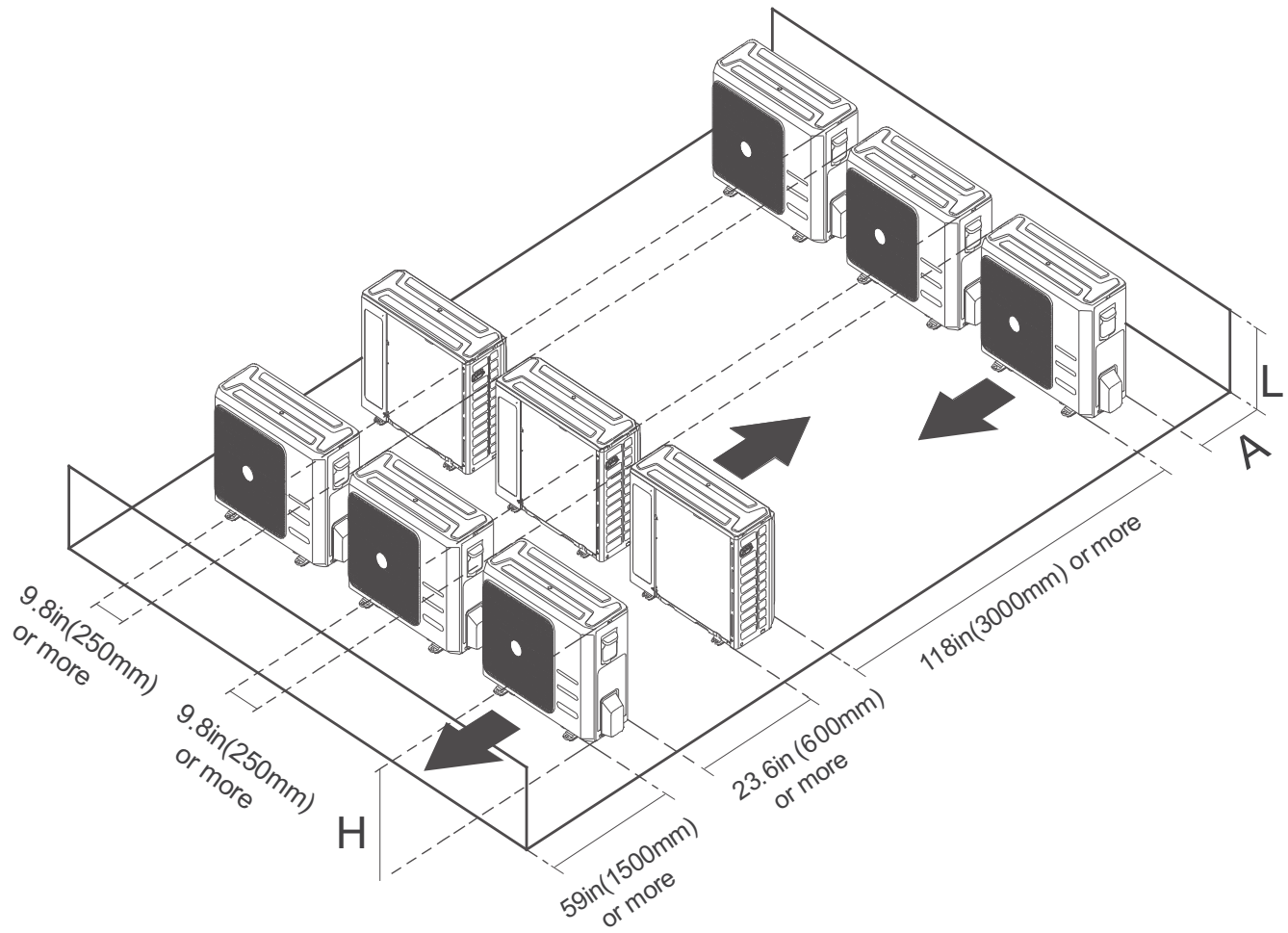


Fig. 7 – Clearances for multiple units

# SPECIFICATIONS

**Table 4 – Comprehensive Specifications**

Outdoor model			D5CURAH18AAK	D5CURAH24AAK	D5CURAH30AAK	D5CURAH36AAK	D5CUHAH48AAK	D5CUHAH60AAK	
Power supply		V;Ph;Hz	208/230V;1Ph;60HZ						
COMPRESSOR SPECIFICATIONS	Model		KSN140D58UFZ	KTM240D46UKT2	KTF250D22UMT	KTF310D43UMT	MTH550UKPC8FU	MTH550UKPC8FU	
	Type		ROTARY	ROTARY	ROTARY	ROTARY	ROTARY	ROTARY	
	Brand		GMCC	GMCC	GMCC	GMCC	HIGHLY	HIGHLY	
	Capacity	W		4315	4780/7600	8095	10010	16250	16250
		Btu/h		14723	16309/25931	27620	34154	55445	55445
	Input	W	1090	805/2045	2200	2765	4900	4900	
	RLA	A	7.15	4.15/9.30	10	15.38	21	21	
	Refrigerant Oil		ESTER OIL	ESTER OIL	ESTER OIL	ESTER OIL	HAF68D1C	HAF68D1C	
	Oil Type		VG74	VG74	VG74	VG74	HAF68D1C	HAF68D1C	
Oil Charge	fl. Oz	14.88	20.97	22.66	33.82	60.87	60.87		
OUTDOOR FAN SPECIFICATIONS	Material	-	Acrylonitrile Styrene +20%GF						
	Type	-	ZL-434*144*8-3KN	ZL-535*133*12-3KFN	ZL-560*139*12-3KN	ZL-560*139*12-3KN	ZL-570*196*15-3N	ZL-570*196*15-3N	
	Diameter	inch	17.1	21.1	22.0	22.0	22.4	22.4	
		mm	434	535	560	560	570	570	
	Height	inch	5.7	5.2	5.5	5.5	7.7	7.7	
mm		144	133	139	139	196	196		
OUTDOOR MOTOR SPECIFICATIONS	Model	-	ZKFN-34-10-1L-1	ZKFN-80-8-3	ZKFN-120-8-2	ZKFN-120-10-1L	ZKFN-250-10-1	ZKFN-250-10-1	
	Type	-	DC	DC	DC	DC	DC	DC	
	Input	W	35.4	94.7	91.0	81.8	228.0	228.0	
	Max. input	W	81.0	239.0	176.0	181.0	365.0	365.0	
	Output	W	26.6	71	68.3	61.4	171.0	171.0	
	FLA	A	0.8	1	1.1	1.5	2	1.2	
	Rated HP	HP	0.04	0.10	0.09	0.08	0.23	0.23	
	Range of current	Amps	0.57~0.85	0.3~1.85	0.79~1.67	0.84~1.69	1.28~2.96	1.28~2.96	
	RLA	Amps	0.620	0.82	1.09	1.05	2.00	2.00	
	Speed	rev/min	840/700/650	810/700/450	850/700/500	800/750/500	850/800/750/650	850/800/750/650	
	Rated RPM	rev/min	840	810	850	800	850	850	
	Insulation class	-	B	E	E	B	B	B	
Safe class	-	IP24	IPX4	IPX4	IP44	IP44	IP44		

Manufacturer reserves the right to change, at any time, specifications and designs without notice and without obligations.

**Table 4 – Comprehensive Specifications (Continued)**

Outdoor model			D5CURAH18AAK	D5CURAH24AAK	D5CURAH30AAK	D5CURAH36AAK	D5CUHAH48AAK	D5CUHAH60AAK	
<b>OUTDOOR REFRIGERANT COIL SPECIFICATIONS</b>	Number of rows	Rows	2	2	2.6	3	3	3	
	Tube outside dia.	inch	0.276	0.276	0.276	0.276	0.276	0.276	
		mm	Φ7	Φ7	Φ7	Φ7	Φ7	Φ7	
	Nominal Tube Wall	mm	0.00945 (0.24)	0.00945 (0.24)	0.00945 (0.24)	0.00945 (0.24)	0.00945 (0.24)	0.00945 (0.24)	
	Tube Enhancement	(Yes/No)	Yes	Yes	Yes	Yes	Yes	Yes	
	Tube Material		Copper	Copper	Copper	Copper	Copper	Copper	
	Tube pitch (a)x row pitch (b)	inch	0.83× 0.87	0.83× 0.87	0.83x0.53	0.83x0.53	0.83x0.53	0.83x0.53	
		mm	21x22	21x22	21x13.37	21x13.37	21x13.37	21x13.37	
	Fin Spacing	FPI	20	20	19	19	20	20	
		mm	1.3	1.3	1.4	1.4	1.3	1.3	
	Fin type		Flat fin	Flat fin	Louvered	Louvered	Flat fin	Flat fin	
	Fin Material		Gold hydrophilic aluminum						
	Coil length x height x width	inch	33.86x19.84x1.73	35.43x23.98x0.86+34.06x23.98x0.86	39.57x29.76x1.05+23.54x29.76x0.53	39.37x29.76x0.53+38.58x29.76x0.53+37.64x29.76x0.53	29.92x36.38x1.58	29.92x36.38x1.58	
		mm	860*504*44	900*609*22+865*609*22	1005x756x26.74+598x756x13.37	1000x756x13.37+980x756x13.37+965x756x13.37	760*924*40.11	760*924*40.11	
	Face area	ft2	4.67	5.90	8.18	8.14	7.56	7.56	
Number of circuits	#	4	6	6	6	10	10		
High Burst Pressure	Psi (MPa)	550(3.79)	550(3.79)	550(3.79)	550(3.79)	550(3.79)	550(3.79)		
Low Burst Pressure	Psi (MPa)	340(2.34)	340(2.34)	340(2.34)	340(2.34)	340(2.34)	340(2.34)		
<b>Piping and Refrigerant Information</b>	Refrigerant Type	Type	R454B	R454B	R454B	R454B	R454B	R454B	
	Charge Amount	lb. (kg)	3.2(1.45)	4.63(2.1)	5.73(2.6)	7.28(3.3)	8.38(3.8)	8.38(3.8)	
	Additional refrigerant charge	Oz/ft (g/m)	0.7(65)	0.7(65)	0.7(65)	0.7(65)	0.7(65)	0.7(65)	
	Liquid Pipe (size - connection type)	In (mm)	3/8in (9.52mm)	3/8in (9.52mm)	3/8in (9.52mm)	3/8in (9.52mm)	3/8in (9.52mm)	3/8in (9.52mm)	
	Suction Pipe (size - connection type)	In (mm)	3/4in (19mm)	3/4in (19mm)	3/4in (19mm)	3/4in (19mm)	3/4in (19mm)	3/4in (19mm)	
	Min. Piping Length	ft. (m)	10 (3)	10 (3)	10 (3)	10 (3)	10 (3)	10 (3)	
	Standard Piping Length	ft. (m)	24.6 (7.5)	24.6 (7.5)	24.6 (7.5)	24.6 (7.5)	24.6 (7.5)	24.6 (7.5)	
	Max. Piping Length with no additional refrigerant charge per System	ft. (m)	24.6 (7.5)	24.6 (7.5)	24.6 (7.5)	24.6 (7.5)	24.6 (7.5)	24.6 (7.5)	
	Total Maximum Piping Length per system	ft. (m)	98.42(30)	164.04(50)	164.04(50)	246(75)	246(75)	246(75)	
	Max. outdoor-indoor height difference (OU higher than IU)	ft. (m)	65.62(20)	82.02(25)	82.02(25)	98.42(30)	98.42(30)	98.42(30)	
Max. outdoor-indoor height difference (IU higher than OU)	ft. (m)	65.62(20)	82.02(25)	82.02(25)	98.42(30)	98.42(30)	98.42(30)		

Manufacturer reserves the right to change, at any time, specifications and designs without notice and without obligations.

**Table 4 – Comprehensive Specifications (Continued)**

Outdoor model			D5CURAH18AAK	D5CURAH24AAK	D5CURAH30AAK	D5CURAH36AAK	D5CUHAH48AAK	D5CUHAH60AAK	
<b>AIRFLOW SPECIFICATIONS</b>	Outdoor (CFM)	CFM	1451.7	1766.8	3003.5	2237.9	3037.1	3037.1	
<b>SOUND DATA</b>	Outdoor Sound Pressure Level	dB(A)	55	60	60	63	65	65	
<b>ENVIRONMENTAL SPECIFICATIONS</b>	Cooling Operating Range	Indoor Min - Max DB	°F	60~90	60~90	60~90	60~90	60~90	
			(°C)	(16?32)	(16?32)	(16?32)	(16?32)	(16?32)	
		Indoor Min - Max WB	°F	59-84	59-84	59-84	59-84	59-84	59-84
			(°C)	(15-29)	(15-29)	(15-29)	(15-29)	(15-29)	(15-29)
	Outdoor Min - Max DB	°F	-13~122	-13~122	-13~122	-13~122	-13~122	-13~122	
		(°C)	(-25?50)	(-25?50)	(-25?50)	(-25?50)	(-25?50)	(-25?50)	
	Heating Operating Range	Indoor Min - Max DB	°F	32~86	32~86	32~86	32~86	32~86	32~86
			(°C)	(0?30)	(0?30)	(0?30)	(0?30)	(0?30)	(0?30)
		Outdoor Min - Max DB	°F	-13~75	-13~75	-13~75	-13~75	-13~75	-13~75
			(°C)	(-25?24)	(-25?24)	(-25?24)	(-25?24)	(-25?24)	(-25?24)
	Cooling Cut-in	Temperature	°F	NA	NA	NA	NA	NA	NA
			(°C)	NA	NA	NA	NA	NA	NA
	Cooling Cut-out	Temperature	°F	NA	NA	NA	NA	NA	NA
			(°C)	NA	NA	NA	NA	NA	NA
Heating Cut-in	Temperature	°F	NA	NA	NA	NA	NA	NA	
		(°C)	NA	NA	NA	NA	NA	NA	
Heating Cut-Out	Temperature	°F	NA	NA	NA	NA	NA	NA	
		(°C)	NA	NA	NA	NA	NA	NA	
Non-operating environment Storage	Temperature range (DB)	°F	-49-140	-49-140	-49-140	-49-140	-49-140	-49-140	
		(°C)	(-45-60)	(-45-60)	(-45-60)	(-45-60)	(-45-60)	(-45-60)	
Operation Humidity	%		0-80 %	0-80 %	0-80 %	0-80 %	0-80 %	0-80 %	
Ambient Humidity	%		0-80 %	0-80 %	0-80 %	0-80 %	0-80 %	0-80 %	

**COOLING PERFORMANCE**

For the following tables:

TC = Total Cooling Capacity (BTU/hr)

S/T = Sensible Cooling Capacity Ratio

PI = Power Input (kW)

Extrapolated Data

The highlighted data is tested; other data is simulated and for reference.

Manufacturer reserves the right to change, at any time, specifications and designs without notice and without obligations.

Table 5 – 18K Cooling — D5CURA + D5FUAA

Airflow CFM	Out-door DB °F °C	ID WB °F(°C)	60.8°F (16.0°C)					64.4°F (16.0°C)					67.0°F (19.4°C)					71.6°F (22.0°C)					
			ID DB °F/°C	73.4°F 23.0°C	77.0°F 25.0°C	80.0°F 26.7°C	80.6°F 27.0°C	84.2°F 29.0°C	73.4°F 23.0°C	77.0°F 25.0°C	80.0°F 26.7°C	80.6°F 27.0°C	84.2°F 29.0°C	73.4°F 23.0°C	77.0°F 25.0°C	80.0°F 26.7°C	80.6°F 27.0°C	84.2°F 29.0°C	73.4°F 23.0°C	77.0°F 25.0°C	80.0°F 26.7°C	80.6°F 27.0°C	84.2°F 29.0°C
			TC	/	/	/	/	/	/	/	/	/	/	/	/	/	/	/	/	/	/	/	/
S/T	/	/	/	/	/	/	/	/	/	/	/	/	/	/	/	/	/	/	/	/	/	/	/
PI	/	/	/	/	/	/	/	/	/	/	/	/	/	/	/	/	/	/	/	/	/	/	/
-22°F 30°C	TC	13578	13596	13610	13611	13629	14396	14413	14427	14430	14447	15256	15276	15293	15296	15313	16175	16193	16210	16213	16233		
	S/T	0.43	0.50	0.57	0.57	0.65	0.45	0.53	0.61	0.61	0.69	0.48	0.57	0.64	0.64	0.73	0.51	0.60	0.68	0.68	0.68	0.78	
	PI	0.52	0.52	0.52	0.52	0.52	0.55	0.55	0.55	0.55	0.55	0.58	0.58	0.58	0.58	0.59	0.62	0.62	0.62	0.62	0.62	0.62	
-13°F 25°C	TC	14622	14642	14657	14658	14678	15503	15522	15537	15540	15558	16429	16451	16469	16472	16491	17419	17438	17457	17460	17482		
	S/T	0.43	0.51	0.57	0.57	0.66	0.46	0.54	0.61	0.61	0.69	0.48	0.57	0.65	0.65	0.74	0.51	0.60	0.68	0.68	0.68	0.78	
	PI	0.56	0.56	0.56	0.56	0.56	0.59	0.59	0.59	0.59	0.59	0.63	0.63	0.63	0.63	0.63	0.67	0.67	0.67	0.67	0.67	0.67	
-4°F 20°C	TC	15086	15106	15123	15123	15144	15995	16014	16030	16033	16052	16951	16973	16992	16995	17014	17972	17992	18011	18014	18037		
	S/T	0.43	0.51	0.58	0.58	0.66	0.46	0.54	0.61	0.61	0.70	0.49	0.57	0.65	0.65	0.74	0.52	0.60	0.69	0.69	0.69	0.78	
	PI	0.58	0.58	0.58	0.58	0.58	0.61	0.61	0.61	0.61	0.61	0.65	0.65	0.65	0.65	0.65	0.69	0.69	0.69	0.69	0.69	0.69	
0°F 17.8°C	TC	15666	15687	15704	15705	15726	16611	16630	16647	16650	16670	17603	17626	17645	17649	17668	18664	18684	18704	18707	18730		
	S/T	0.43	0.51	0.58	0.58	0.66	0.46	0.54	0.61	0.61	0.70	0.49	0.57	0.65	0.65	0.74	0.52	0.61	0.69	0.69	0.69	0.79	
	PI	0.60	0.60	0.60	0.60	0.60	0.63	0.64	0.64	0.64	0.64	0.67	0.67	0.67	0.67	0.68	0.71	0.71	0.71	0.72	0.72		
5°F 15°C	TC	16736	16758	16776	16777	16799	17744	17765	17783	17786	17807	18804	18829	18850	18853	18874	19937	19959	19981	19984	20009		
	S/T	0.44	0.51	0.58	0.58	0.66	0.46	0.54	0.62	0.62	0.70	0.49	0.57	0.65	0.65	0.74	0.52	0.61	0.69	0.69	0.69	0.79	
	PI	0.54	0.54	0.54	0.54	0.54	0.57	0.57	0.57	0.57	0.57	0.61	0.61	0.61	0.61	0.61	0.64	0.64	0.64	0.64	0.64	0.65	
14°F 10°C	TC	17092	17115	17133	17134	17157	18122	18143	18161	18165	18186	19205	19230	19251	19255	19276	20362	20384	20406	20409	20435		
	S/T	0.44	0.51	0.58	0.58	0.66	0.46	0.54	0.62	0.62	0.70	0.49	0.58	0.65	0.65	0.75	0.52	0.61	0.69	0.69	0.69	0.79	
	PI	0.52	0.52	0.52	0.52	0.52	0.55	0.55	0.55	0.55	0.55	0.58	0.59	0.59	0.59	0.59	0.62	0.62	0.62	0.62	0.62	0.62	
17°F 10°C	TC	17144	17167	17186	17187	17210	18177	18199	18217	18221	18242	19263	19288	19310	19314	19335	20424	20446	20469	20472	20497		
	S/T	0.44	0.52	0.59	0.59	0.67	0.47	0.55	0.62	0.62	0.71	0.49	0.58	0.66	0.66	0.75	0.52	0.61	0.70	0.70	0.79		
	PI	0.57	0.57	0.57	0.57	0.57	0.60	0.60	0.60	0.60	0.61	0.64	0.64	0.64	0.64	0.64	0.68	0.68	0.68	0.68	0.68	0.68	
23°F 5°C	TC	17249	17272	17291	17292	17315	18289	18310	18328	18332	18354	19381	19406	19428	19432	19453	20549	20571	20594	20597	20623		
	S/T	0.44	0.52	0.59	0.59	0.67	0.47	0.55	0.62	0.62	0.71	0.50	0.58	0.66	0.66	0.75	0.53	0.62	0.70	0.70	0.80		
	PI	0.67	0.67	0.67	0.67	0.67	0.71	0.71	0.71	0.71	0.71	0.75	0.75	0.75	0.75	0.75	0.79	0.79	0.79	0.79	0.80		
35°F 1.7°C	TC	15566	15587	15604	15605	15626	16504	16524	16540	16543	16563	17490	17513	17533	17536	17555	18544	18564	18584	18587	18610		
	S/T	0.44	0.52	0.59	0.59	0.67	0.47	0.55	0.62	0.62	0.71	0.50	0.58	0.66	0.66	0.75	0.53	0.62	0.70	0.70	0.80		
	PI	0.68	0.68	0.68	0.68	0.68	0.72	0.72	0.72	0.72	0.73	0.77	0.77	0.77	0.77	0.77	0.81	0.81	0.81	0.81	0.81	0.81	
41°F 5°C	TC	13883	13902	13917	13918	13936	14720	14737	14752	14755	14772	15599	15620	15637	15640	15657	16539	16557	16575	16578	16598		
	S/T	0.44	0.52	0.59	0.59	0.67	0.47	0.55	0.63	0.63	0.71	0.50	0.58	0.66	0.66	0.76	0.53	0.62	0.70	0.70	0.80		
	PI	0.70	0.70	0.70	0.70	0.70	0.74	0.74	0.74	0.74	0.74	0.78	0.78	0.79	0.79	0.79	0.83	0.83	0.83	0.83	0.83	0.83	
47°F 8.3°C	TC	13924	13943	13958	13958	13977	14763	14780	14795	14798	14816	15645	15665	15683	15686	15703	16588	16606	16624	16626	16647		
	S/T	0.45	0.52	0.59	0.59	0.68	0.47	0.55	0.63	0.63	0.72	0.50	0.59	0.67	0.67	0.76	0.53	0.62	0.71	0.71	0.81		
	PI	0.71	0.71	0.71	0.71	0.71	0.75	0.75	0.75	0.75	0.75	0.79	0.79	0.79	0.79	0.80	0.84	0.84	0.84	0.84	0.84	0.84	
50°F 10°C	TC	14046	14064	14080	14080	14099	14892	14910	14924	14927	14945	15782	15802	15820	15823	15840	16733	16751	16769	16772	16793		
	S/T	0.45	0.53	0.60	0.60	0.68	0.47	0.56	0.63	0.63	0.72	0.50	0.59	0.67	0.67	0.76	0.53	0.63	0.71	0.71	0.81		
	PI	0.73	0.73	0.73	0.73	0.73	0.77	0.77	0.78	0.78	0.78	0.82	0.82	0.82	0.82	0.82	0.87	0.87	0.87	0.87	0.87	0.87	
59°F 15°C	TC	14167	14186	14202	14202	14221	15021	15039	15054	15057	15075	15918	15939	15957	15960	15978	16878	16896	16914	16917	16938		
	S/T	0.46	0.54	0.61	0.61	0.70	0.49	0.57	0.65	0.65	0.74	0.52	0.61	0.69	0.69	0.79	0.55	0.64	0.73	0.73	0.83		
	PI	0.75	0.75	0.76	0.76	0.76	0.80	0.80	0.80	0.80	0.80	0.85	0.85	0.85	0.85	0.85	0.90	0.90	0.90	0.90	0.90	0.90	
68°F 20°C	TC	14289	14308	14324	14324	14344	15150	15168	15183	15186	15204	16055	16076	16094	16097	16115	17023	17041	17060	17062	17084		
	S/T	0.47	0.55	0.62	0.62	0.71	0.49	0.58	0.66	0.66	0.75	0.52	0.61	0.70	0.70	0.80	0.55	0.65	0.74	0.74	0.84		
	PI	0.78	0.78	0.78	0.78	0.78	0.82	0.83	0.83	0.83	0.83	0.87	0.88	0.88	0.88	0.88	0.93	0.93	0.93	0.93	0.93	0.93	
77°F 25°C	TC	14582	14602	14617	14618	14638	15461	15479	15494	15497	15516	16384	16406	16424	16427	16445	17372	17391	17409	17412	17434		
	S/T	0.47	0.55	0.63	0.63	0.72	0.50	0.59	0.67	0.67	0.76	0.53	0.62	0.71	0.71	0.81	0.56	0.66	0.75	0.75	0.85		
	PI	0.88	0.88	0.88	0.88	0.88	0.93	0.93	0.93	0.93	0.93	0.99	0.99	0.99	0.99	0.99	1.05	1.05	1.05	1.05	1.05	1.05	
82°F 27.8°C	TC	15101	15121	15137	15138	15158	16011	16030	16046	16049	16068	16967	16989	17008	17012	17031	17990	18009	18029	18032	18054		
	S/T	0.48	0.56	0.64	0.64	0.73	0.51	0.59	0.68	0.68	0.77	0.54	0.63	0.72	0.72	0.82	0.57	0.67	0.76	0.76	0.86		
	PI	1.07	1.07	1.07	1.07	1.07	1.13	1.13	1.13	1.14	1.14	1.20	1.20	1.20	1.20								

Table 5 – 18K Cooling — D5CURA + D5FUAA (Continued)

Airflow CFM	Out-door DB °F °C	ID WB °F(°C)	60.8°F (16.0°C)					64.4°F (16.0°C)					67.0°F (19.4°C)					71.6°F (22.0°C)					
			ID DB °F/°C	73.4°F 23.0°C	77.0°F 25.0°C	80.0°F 26.7°C	80.6°F 27.0°C	84.2°F 29.0°C	73.4°F 23.0°C	77.0°F 25.0°C	80.0°F 26.7°C	80.6°F 27.0°C	84.2°F 29.0°C	73.4°F 23.0°C	77.0°F 25.0°C	80.0°F 26.7°C	80.6°F 27.0°C	84.2°F 29.0°C	73.4°F 23.0°C	77.0°F 25.0°C	80.0°F 26.7°C	80.6°F 27.0°C	84.2°F 29.0°C
			TC	S/T	PI	TC	S/T	PI	TC	S/T	PI	TC	S/T	PI	TC	S/T	PI	TC	S/T	PI	TC	S/T	PI
530	-22°F 30°C	TC	/	/	/	/	/	/	/	/	/	/	/	/	/	/	/	/	/	/	/	/	
		S/T	/	/	/	/	/	/	/	/	/	/	/	/	/	/	/	/	/	/	/	/	
		PI	/	/	/	/	/	/	/	/	/	/	/	/	/	/	/	/	/	/	/	/	
	-13°F 25°C	TC	14091	14110	14125	14126	14145	14940	14958	14973	14976	14994	15833	15854	15871	15874	15892	16787	16805	16824	16826	16847	
		S/T	0.44	0.52	0.59	0.59	0.68	0.47	0.55	0.63	0.63	0.72	0.50	0.59	0.67	0.67	0.76	0.53	0.62	0.71	0.71	0.81	
		PI	0.54	0.54	0.54	0.54	0.54	0.57	0.57	0.57	0.57	0.57	0.61	0.61	0.61	0.61	0.61	0.64	0.64	0.64	0.64	0.64	
	-4°F 20°C	TC	15175	15196	15212	15213	15233	16090	16109	16125	16128	16147	17051	17073	17092	17095	17114	18078	18098	18118	18120	18143	
		S/T	0.45	0.53	0.60	0.60	0.68	0.47	0.56	0.63	0.63	0.72	0.50	0.59	0.67	0.67	0.76	0.53	0.63	0.71	0.71	0.81	
		PI	0.58	0.58	0.58	0.58	0.58	0.62	0.62	0.62	0.62	0.62	0.65	0.65	0.65	0.65	0.65	0.69	0.69	0.69	0.69	0.69	
	0°F 17.8°C	TC	15657	15678	15695	15696	15717	16600	16620	16637	16640	16660	17592	17615	17635	17638	17658	18652	18672	18693	18696	18719	
		S/T	0.45	0.53	0.60	0.60	0.68	0.48	0.56	0.63	0.63	0.72	0.50	0.59	0.67	0.67	0.77	0.53	0.63	0.71	0.71	0.81	
		PI	0.60	0.60	0.60	0.60	0.60	0.63	0.64	0.64	0.64	0.64	0.67	0.67	0.67	0.67	0.67	0.71	0.71	0.71	0.71	0.72	
	5°F 15°C	TC	16259	16281	16298	16299	16321	17239	17259	17276	17280	17300	18269	18293	18313	18316	18337	19370	19391	19412	19415	19439	
		S/T	0.45	0.53	0.60	0.60	0.69	0.48	0.56	0.64	0.64	0.73	0.51	0.59	0.68	0.68	0.77	0.54	0.63	0.72	0.72	0.82	
		PI	0.62	0.62	0.62	0.62	0.62	0.66	0.66	0.66	0.66	0.66	0.70	0.70	0.70	0.70	0.70	0.74	0.74	0.74	0.74	0.74	
	14°F 10°C	TC	17369	17392	17411	17411	17435	18415	18437	18455	18459	18481	19516	19541	19563	19566	19588	20691	20714	20736	20740	20765	
		S/T	0.45	0.53	0.60	0.60	0.69	0.48	0.56	0.64	0.64	0.73	0.51	0.60	0.68	0.68	0.77	0.54	0.63	0.72	0.72	0.82	
		PI	0.56	0.56	0.56	0.56	0.56	0.59	0.59	0.60	0.60	0.60	0.63	0.63	0.63	0.63	0.63	0.67	0.67	0.67	0.67	0.67	
	17°F 10°C	TC	17738	17762	17781	17782	17806	18807	18830	18848	18852	18874	19931	19957	19979	19983	20005	21132	21155	21178	21181	21208	
		S/T	0.45	0.53	0.60	0.60	0.69	0.48	0.56	0.64	0.64	0.73	0.51	0.60	0.68	0.68	0.77	0.54	0.63	0.72	0.72	0.82	
		PI	0.54	0.54	0.54	0.54	0.54	0.57	0.57	0.57	0.57	0.57	0.61	0.61	0.61	0.61	0.61	0.64	0.64	0.64	0.64	0.65	
	23°F 5°C	TC	17793	17817	17836	17837	17861	18865	18887	18906	18910	18932	19992	20018	20040	20044	20067	21197	21220	21243	21246	21273	
		S/T	0.46	0.53	0.61	0.61	0.69	0.48	0.57	0.64	0.64	0.73	0.51	0.60	0.68	0.68	0.78	0.54	0.64	0.72	0.72	0.82	
		PI	0.59	0.59	0.59	0.59	0.59	0.63	0.63	0.63	0.63	0.63	0.66	0.66	0.66	0.66	0.67	0.70	0.70	0.70	0.70	0.71	
	35°F 1.7°C	TC	17902	17926	17945	17946	17970	18980	19003	19022	19025	19048	20114	20141	20163	20167	20189	21326	21350	21373	21376	21403	
		S/T	0.46	0.54	0.61	0.61	0.70	0.49	0.57	0.65	0.65	0.74	0.51	0.60	0.69	0.69	0.78	0.55	0.64	0.73	0.73	0.83	
		PI	0.69	0.69	0.69	0.69	0.69	0.73	0.73	0.73	0.73	0.73	0.78	0.78	0.78	0.78	0.78	0.82	0.82	0.82	0.82	0.83	
41°F 5°C	TC	16155	16177	16194	16195	16217	17129	17149	17166	17169	17190	18152	18176	18196	18199	18219	19246	19267	19288	19291	19315		
	S/T	0.46	0.54	0.61	0.61	0.70	0.49	0.57	0.65	0.65	0.74	0.52	0.60	0.69	0.69	0.78	0.55	0.64	0.73	0.73	0.83		
	PI	0.71	0.71	0.71	0.71	0.71	0.75	0.75	0.75	0.75	0.75	0.79	0.80	0.80	0.80	0.80	0.84	0.84	0.84	0.84	0.85		
47°F 8.3°C	TC	14408	14428	14443	14444	14463	15277	15295	15310	15313	15331	16189	16211	16229	16232	16250	17165	17184	17202	17205	17226		
	S/T	0.46	0.54	0.61	0.61	0.70	0.49	0.57	0.65	0.65	0.74	0.52	0.61	0.69	0.69	0.79	0.55	0.64	0.73	0.73	0.83		
	PI	0.72	0.72	0.73	0.73	0.73	0.77	0.77	0.77	0.77	0.77	0.81	0.81	0.82	0.82	0.82	0.86	0.86	0.86	0.86	0.87		
50°F 10°C	TC	14451	14470	14486	14486	14506	15321	15340	15355	15358	15376	16237	16258	16276	16279	16297	17215	17234	17253	17255	17277		
	S/T	0.46	0.54	0.62	0.62	0.70	0.49	0.58	0.65	0.65	0.75	0.52	0.61	0.69	0.69	0.79	0.55	0.65	0.73	0.73	0.84		
	PI	0.73	0.73	0.73	0.73	0.73	0.78	0.78	0.78	0.78	0.78	0.82	0.82	0.82	0.82	0.83	0.87	0.87	0.87	0.87	0.88		
59°F 15°C	TC	14577	14597	14612	14613	14633	15455	15474	15489	15492	15510	16379	16400	16418	16421	16440	17366	17384	17403	17406	17428		
	S/T	0.46	0.55	0.62	0.62	0.71	0.49	0.58	0.66	0.66	0.75	0.52	0.61	0.70	0.70	0.79	0.55	0.65	0.74	0.74	0.84		
	PI	0.76	0.76	0.76	0.76	0.76	0.80	0.80	0.80	0.80	0.81	0.85	0.85	0.85	0.85	0.85	0.90	0.90	0.90	0.90	0.91		
68°F 20°C	TC	14703	14723	14739	14740	14759	15589	15608	15623	15626	15645	16521	16542	16561	16564	16582	17516	17535	17554	17557	17579		
	S/T	0.48	0.56	0.64	0.64	0.73	0.51	0.59	0.67	0.67	0.77	0.54	0.63	0.71	0.71	0.81	0.57	0.67	0.76	0.76	0.86		
	PI	0.78	0.78	0.78	0.78	0.79	0.83	0.83	0.83	0.83	0.83	0.88	0.88	0.88	0.88	0.88	0.93	0.93	0.93	0.93	0.94		
77°F 25°C	TC	14830	14850	14866	14866	14886	15723	15742	15757	15761	15779	16663	16684	16703	16706	16725	17667	17686	17705	17708	17730		
	S/T	0.48	0.57	0.64	0.64	0.73	0.51	0.60	0.68	0.68	0.78	0.54	0.64	0.72	0.72	0.83	0.58	0.68	0.77	0.77	0.88		
	PI	0.81	0.81	0.81	0.81	0.81	0.86	0.86	0.86	0.86	0.86	0.91	0.91	0.91	0.91	0.91	0.96	0.96	0.96	0.96	0.97		
82°F 27.8°C	TC	15134	15154	15170	15171	15191	16046	16065	16081	16084	16103	17004	17026	17045	17049	17068	18029	18048	18068	18071	18093		
	S/T	0.49	0.57	0.65	0.65	0.74	0.52	0.61	0.69	0.69	0.79	0.55	0.65	0.73	0.73	0.84	0.58	0.68	0.78	0.78	0.89		
	PI	0.91	0.91	0.91	0.91	0.92	0.97	0.97	0.97	0.97	0.97	1.02	1.03	1.03	1.03	1.03	1.09	1.09	1.09	1.09	1.09		
86°F 30°C	TC	15672	15693	15710	15711	15732	16617	16636	16653	16656	16676	17609	17632	17652	17655	17675	18670	18691	18711	18714	18737		
	S/T	0.50	0.58	0.66	0.66	0.75	0.53	0.62	0.70	0.70	0.80	0.56	0.65	0.74	0.74	0.85	0.59	0.69	0.79	0.79	0.90		
	PI	1.11	1.11	1.11	1.11	1.11	1.18	1.18	1.18	1.18	1.18	1.25	1.25	1.25	1.25	1.25	1.32	1.32	1.32	1.32	1.33		
95°F 35°C	TC	16883	16906	16924	16925	16948	17901	17922	17940	17943	17965	18970	18995	19016	19020	19041	20113	20135	20157	20160	20185		
	S/T	0.50	0.58	0.66	0.66	0.75	0.53	0.62	0.70	0.70	0.80	0.56	0.65	0.74	0.74	0.85	0.59	0.69	0.79	0.79	0.90		
	PI	1.55	1.55	1.56	1.56	1.56	1.64	1.65	1.65	1.65	1.65	1.74	1.75	1.75	1.75	1.75	1.85	1.85	1.85	1.85	1.85		
104°F 40°C	TC	14479	14498	14514	14515	14534	15351	15370	15385	15388	15406	16268	16290	16308	16311	16329	17249	17267	17286	17289	17310		
	S/T	0.51	0.60	0.68	0.68	0.77	0.54	0.63	0.72	0.72	0.82	0.57	0.67	0.76	0.76	0.87	0.61	0.71	0.81	0.81	0.92		
	PI	1.41	1.42	1.42	1.42	1.42	1.50	1.50	1.50	1.50	1.50	1.59	1.59	1.59	1.59	1.59	1.68	1.69	1.69	1.69	1.69		
110°F 43°C	TC	13036																					

Table 5 – 18K Cooling — D5CURA + D5FUAA (Continued)

Airflow CFM	Out-door DB °F °C	ID WB °F(°C)	60.8°F (16.0°C)					64.4°F (16.0°C)					67.0°F (19.4°C)					71.6°F (22.0°C)					
			ID DB °F/°C	73.4°F 23.0°C	77.0°F 25.0°C	80.0°F 26.7°C	80.6°F 27.0°C	84.2°F 29.0°C	73.4°F 23.0°C	77.0°F 25.0°C	80.0°F 26.7°C	80.6°F 27.0°C	84.2°F 29.0°C	73.4°F 23.0°C	77.0°F 25.0°C	80.0°F 26.7°C	80.6°F 27.0°C	84.2°F 29.0°C	73.4°F 23.0°C	77.0°F 25.0°C	80.0°F 26.7°C	80.6°F 27.0°C	84.2°F 29.0°C
			TC	S/T	PI	TC	S/T	PI	TC	S/T	PI	TC	S/T	PI	TC	S/T	PI	TC	S/T	PI	TC	S/T	PI
580	-22°F 30°C	TC	/	/	/	/	/	/	/	/	/	/	/	/	/	/	/	/	/	/	/	/	
		S/T	/	/	/	/	/	/	/	/	/	/	/	/	/	/	/	/	/	/	/	/	
		PI	/	/	/	/	/	/	/	/	/	/	/	/	/	/	/	/	/	/	/	/	
	-13°F 25°C	TC	14624	14644	14660	14660	14680	15506	15524	15539	15542	15561	16432	16453	16472	16475	16493	17422	17441	17460	17463	17484	
		S/T	0.46	0.54	0.62	0.62	0.70	0.49	0.57	0.65	0.65	0.74	0.52	0.61	0.69	0.69	0.79	0.55	0.65	0.73	0.73	0.84	
		PI	0.56	0.56	0.56	0.56	0.56	0.59	0.59	0.59	0.59	0.59	0.63	0.63	0.63	0.63	0.63	0.67	0.67	0.67	0.67	0.67	
	-4°F 20°C	TC	15749	15770	15787	15788	15809	16698	16718	16735	16738	16758	17696	17719	17739	17742	17762	18762	18783	18803	18806	18829	
		S/T	0.46	0.54	0.62	0.62	0.71	0.49	0.58	0.66	0.66	0.75	0.52	0.61	0.70	0.70	0.79	0.55	0.65	0.74	0.74	0.84	
		PI	0.60	0.60	0.60	0.60	0.60	0.64	0.64	0.64	0.64	0.64	0.68	0.68	0.68	0.68	0.68	0.72	0.72	0.72	0.72	0.72	
	0°F 17.8°C	TC	16249	16271	16289	16289	16311	17228	17249	17266	17269	17290	18258	18281	18302	18305	18326	19358	19379	19400	19403	19427	
		S/T	0.47	0.55	0.62	0.62	0.71	0.49	0.58	0.66	0.66	0.75	0.52	0.61	0.70	0.70	0.80	0.55	0.65	0.74	0.74	0.84	
		PI	0.62	0.62	0.62	0.62	0.62	0.66	0.66	0.66	0.66	0.66	0.70	0.70	0.70	0.70	0.70	0.74	0.74	0.74	0.74	0.74	
	5°F 15°C	TC	16874	16897	16915	16916	16939	17891	17912	17930	17934	17955	18960	18985	19006	19009	19031	20102	20124	20146	20149	20174	
		S/T	0.47	0.55	0.62	0.62	0.71	0.50	0.58	0.66	0.66	0.75	0.53	0.62	0.70	0.70	0.80	0.56	0.65	0.74	0.74	0.85	
		PI	0.65	0.65	0.65	0.65	0.65	0.68	0.68	0.69	0.69	0.69	0.72	0.73	0.73	0.73	0.73	0.77	0.77	0.77	0.77	0.77	
	14°F 10°C	TC	18026	18050	18069	18070	18095	19112	19135	19154	19157	19180	20254	20280	20303	20307	20329	21474	21498	21521	21524	21551	
		S/T	0.47	0.55	0.63	0.63	0.71	0.50	0.58	0.66	0.66	0.76	0.53	0.62	0.70	0.70	0.80	0.56	0.66	0.74	0.74	0.85	
		PI	0.58	0.58	0.58	0.58	0.58	0.62	0.62	0.62	0.62	0.62	0.65	0.65	0.65	0.66	0.66	0.69	0.69	0.69	0.69	0.70	
	17°F 10°C	TC	18410	18434	18454	18455	18480	19519	19542	19561	19565	19588	20685	20712	20735	20739	20762	21931	21955	21979	21983	22010	
		S/T	0.47	0.55	0.63	0.63	0.72	0.50	0.59	0.66	0.66	0.76	0.53	0.62	0.70	0.70	0.80	0.56	0.66	0.75	0.75	0.85	
		PI	0.56	0.56	0.56	0.56	0.56	0.59	0.59	0.60	0.60	0.60	0.63	0.63	0.63	0.63	0.63	0.67	0.67	0.67	0.67	0.67	
	23°F 5°C	TC	18466	18491	18511	18512	18536	19579	19602	19621	19625	19649	20749	20775	20799	20802	20826	21999	22023	22047	22050	22077	
		S/T	0.47	0.55	0.63	0.63	0.72	0.50	0.59	0.67	0.67	0.76	0.53	0.62	0.71	0.71	0.81	0.56	0.66	0.75	0.75	0.86	
		PI	0.61	0.61	0.61	0.61	0.61	0.65	0.65	0.65	0.65	0.65	0.69	0.69	0.69	0.69	0.69	0.73	0.73	0.73	0.73	0.73	
35°F 1.7°C	TC	18579	18604	18624	18625	18650	19698	19722	19741	19745	19769	20875	20902	20926	20930	20953	22133	22157	22181	22185	22212		
	S/T	0.48	0.56	0.63	0.63	0.72	0.50	0.59	0.67	0.67	0.77	0.53	0.63	0.71	0.71	0.81	0.57	0.66	0.75	0.75	0.86		
	PI	0.72	0.72	0.72	0.72	0.72	0.76	0.76	0.76	0.76	0.76	0.81	0.81	0.81	0.81	0.81	0.85	0.85	0.86	0.86	0.86		
41°F 5°C	TC	16766	16789	16807	16808	16830	17777	17798	17815	17819	17840	18839	18863	18884	18888	18909	19974	19995	20017	20020	20045		
	S/T	0.48	0.56	0.63	0.63	0.72	0.50	0.59	0.67	0.67	0.77	0.53	0.63	0.71	0.71	0.81	0.57	0.67	0.76	0.76	0.86		
	PI	0.73	0.73	0.74	0.74	0.74	0.78	0.78	0.78	0.78	0.78	0.82	0.83	0.83	0.83	0.83	0.87	0.88	0.88	0.88	0.88		
47°F 8.3°C	TC	14954	14974	14990	14990	15011	15855	15873	15889	15892	15911	16802	16824	16843	16846	16864	17814	17834	17853	17856	17878		
	S/T	0.48	0.56	0.64	0.64	0.73	0.51	0.59	0.67	0.68	0.77	0.54	0.63	0.72	0.72	0.82	0.57	0.67	0.76	0.76	0.86		
	PI	0.75	0.75	0.75	0.75	0.75	0.80	0.80	0.80	0.80	0.80	0.84	0.85	0.85	0.85	0.85	0.89	0.90	0.90	0.90	0.90		
50°F 10°C	TC	14997	15017	15034	15034	15055	15901	15920	15936	15939	15958	16851	16873	16892	16895	16914	17866	17886	17905	17908	17930		
	S/T	0.48	0.56	0.64	0.64	0.73	0.51	0.60	0.68	0.68	0.77	0.54	0.63	0.72	0.72	0.82	0.57	0.67	0.76	0.76	0.87		
	PI	0.76	0.76	0.76	0.76	0.76	0.81	0.81	0.81	0.81	0.81	0.85	0.85	0.86	0.86	0.86	0.91	0.91	0.91	0.91	0.91		
59°F 15°C	TC	15128	15149	15165	15166	15186	16040	16059	16075	16078	16097	16998	17020	17039	17043	17062	18023	18042	18062	18065	18087		
	S/T	0.48	0.57	0.64	0.64	0.73	0.51	0.60	0.68	0.68	0.78	0.54	0.64	0.72	0.72	0.82	0.57	0.67	0.77	0.77	0.87		
	PI	0.79	0.79	0.79	0.79	0.79	0.83	0.83	0.84	0.84	0.84	0.88	0.88	0.89	0.89	0.89	0.94	0.94	0.94	0.94	0.94		
68°F 20°C	TC	15259	15280	15296	15297	15318	16179	16198	16214	16217	16237	17146	17168	17187	17190	17209	18179	18199	18218	18221	18244		
	S/T	0.50	0.58	0.66	0.66	0.75	0.52	0.62	0.70	0.70	0.80	0.56	0.65	0.74	0.74	0.85	0.59	0.69	0.79	0.79	0.90		
	PI	0.81	0.81	0.81	0.81	0.82	0.86	0.86	0.86	0.86	0.86	0.91	0.91	0.91	0.91	0.92	0.97	0.97	0.97	0.97	0.97		
77°F 25°C	TC	15391	15411	15428	15429	15449	16318	16337	16354	16357	16376	17293	17315	17335	17338	17357	18335	18355	18375	18378	18401		
	S/T	0.50	0.59	0.67	0.67	0.76	0.53	0.62	0.71	0.71	0.81	0.56	0.66	0.75	0.75	0.86	0.60	0.70	0.80	0.80	0.91		
	PI	0.84	0.84	0.84	0.84	0.84	0.89	0.89	0.89	0.89	0.89	0.94	0.94	0.94	0.94	0.95	1.00	1.00	1.00	1.00	1.00		
82°F 27.8°C	TC	15706	15727	15744	15745	15766	16653	16672	16689	16692	16712	17648	17671	17690	17693	17713	18711	18731	18752	18755	18778		
	S/T	0.51	0.60	0.68	0.68	0.77	0.54	0.63	0.72	0.72	0.82	0.57	0.67	0.76	0.76	0.87	0.61	0.71	0.81	0.81	0.92		
	PI	0.95	0.95	0.95	0.95	0.95	1.00	1.00	1.01	1.01	1.01	1.06	1.06	1.07	1.07	1.07	1.13	1.13	1.13	1.13	1.13		
86°F 30°C	TC	16265	16287	16304	16305	16327	17245	17266	17283	17286	17307	18275	18299	18320	18323	18343	19377	19398	19419	19422	19446		
	S/T	0.51	0.60	0.69	0.69	0.78	0.55	0.64	0.73	0.73	0.83	0.58	0.68	0.77	0.77	0.88	0.61	0.72	0.82	0.82	0.93		
	PI	1.15	1.15	1.15	1.15	1.15	1.22	1.22	1.22	1.22	1.22	1.29	1.29	1.30	1.30	1.30	1.37	1.37	1.37	1.37	1.38		
95°F 35°C	TC	17522	17546	17565	17565	17589	18578	18600	18619	18622	18644	19688	19714	19736	19739	19761	20874	20897	20920	20923	20949		
	S/T	0.51	0.60	0.69	0.69	0.78	0.55	0.64	0.73	0.73	0.83	0.58	0.68	0.77	0.77	0.88	0.61	0.72	0.82	0.82	0.93		
	PI	1.61	1.61	1.61	1.61	1.62	1.71	1.71	1.71	1.71	1.71	1.81	1.81	1.81	1.81	1.82	1.92	1.92	1.92	1.92	1.92		
104°F 40°C	TC	15027	15047	15063	15064	15084	15932	15951	15967	15970	15989	16884	16906	16925	16928	16947	17901	17921	17940	17943	17965		
	S/T	0.53	0.62	0.70	0.70	0.80	0.56	0.66	0.75	0.75	0.85	0.59	0.70	0.79	0.79	0.90	0.63	0.74	0.84	0.84	0.95		
	PI	1.47	1.47	1.47	1.47	1.47	1.56	1.56	1.56	1.56	1.56	1.65	1.65	1.65	1.65	1.65	1.75	1.75	1.75	1.75	1.75		
110°F 43°C	TC	13529																					

Table 5 – 18K Cooling — D5CURA + D5FUAA (Continued)

Airflow CFM	Out-door DB °F °C	ID WB °F(°C)	60.8°F (16.0°C)					64.4°F (16.0°C)					67.0°F (19.4°C)					71.6°F (22.0°C)					
			ID DB °F/°C	73.4°F 23.0°C	77.0°F 25.0°C	80.0°F 26.7°C	80.6°F 27.0°C	84.2°F 29.0°C	73.4°F 23.0°C	77.0°F 25.0°C	80.0°F 26.7°C	80.6°F 27.0°C	84.2°F 29.0°C	73.4°F 23.0°C	77.0°F 25.0°C	80.0°F 26.7°C	80.6°F 27.0°C	84.2°F 29.0°C	73.4°F 23.0°C	77.0°F 25.0°C	80.0°F 26.7°C	80.6°F 27.0°C	84.2°F 29.0°C
			TC	/	/	/	/	/	/	/	/	/	/	/	/	/	/	/	/	/	/	/	/
S/T	/	/	/	/	/	/	/	/	/	/	/	/	/	/	/	/	/	/	/	/	/	/	/
PI	/	/	/	/	/	/	/	/	/	/	/	/	/	/	/	/	/	/	/	/	/	/	/
-22°F 30°C	TC	/	/	/	/	/	/	/	/	/	/	/	/	/	/	/	/	/	/	/	/	/	/
	S/T	/	/	/	/	/	/	/	/	/	/	/	/	/	/	/	/	/	/	/	/	/	/
	PI	/	/	/	/	/	/	/	/	/	/	/	/	/	/	/	/	/	/	/	/	/	/
-13°F 25°C	TC	15178	15198	15214	15215	15236	16092	16111	16127	16130	16150	17054	17076	17095	17098	17117	18081	18101	18120	18123	18146		
	S/T	0.48	0.56	0.64	0.64	0.73	0.51	0.60	0.68	0.68	0.77	0.54	0.63	0.72	0.72	0.82	0.57	0.67	0.76	0.76	0.87		
	PI	0.58	0.58	0.58	0.58	0.58	0.62	0.62	0.62	0.62	0.62	0.65	0.65	0.65	0.65	0.65	0.69	0.69	0.69	0.69	0.69		
-4°F 20°C	TC	16345	16367	16385	16385	16407	17330	17351	17368	17371	17392	18365	18389	18410	18413	18434	19472	19493	19514	19517	19542		
	S/T	0.48	0.57	0.64	0.64	0.73	0.51	0.60	0.68	0.68	0.78	0.54	0.64	0.72	0.72	0.82	0.57	0.67	0.77	0.77	0.87		
	PI	0.62	0.63	0.63	0.63	0.63	0.66	0.66	0.66	0.66	0.66	0.70	0.70	0.70	0.70	0.70	0.74	0.75	0.75	0.75	0.75		
0°F 17.8°C	TC	16864	16887	16905	16906	16928	17880	17901	17919	17923	17944	18948	18973	18994	18998	19019	20090	20112	20134	20137	20162		
	S/T	0.48	0.57	0.64	0.64	0.73	0.51	0.60	0.68	0.68	0.78	0.54	0.64	0.72	0.72	0.83	0.58	0.68	0.77	0.77	0.88		
	PI	0.64	0.65	0.65	0.65	0.65	0.68	0.68	0.68	0.69	0.69	0.72	0.73	0.73	0.73	0.73	0.77	0.77	0.77	0.77	0.77		
5°F 15°C	TC	17513	17536	17555	17556	17579	18568	18590	18608	18612	18634	19677	19703	19725	19728	19750	20863	20886	20908	20912	20938		
	S/T	0.49	0.57	0.65	0.65	0.74	0.51	0.60	0.69	0.69	0.78	0.55	0.64	0.73	0.73	0.83	0.58	0.68	0.77	0.77	0.88		
	PI	0.67	0.67	0.67	0.67	0.67	0.71	0.71	0.71	0.71	0.71	0.75	0.75	0.75	0.75	0.75	0.80	0.80	0.80	0.80	0.80		
14°F 10°C	TC	18708	18733	18753	18754	18779	19835	19859	19878	19882	19906	21020	21047	21071	21075	21098	22287	22311	22335	22339	22366		
	S/T	0.49	0.57	0.65	0.65	0.74	0.52	0.61	0.69	0.69	0.78	0.55	0.64	0.73	0.73	0.83	0.58	0.68	0.77	0.77	0.88		
	PI	0.60	0.60	0.60	0.61	0.61	0.64	0.64	0.64	0.64	0.64	0.68	0.68	0.68	0.68	0.68	0.72	0.72	0.72	0.72	0.72		
17°F 10°C	TC	19106	19132	19152	19153	19179	20257	20281	20301	20305	20330	21468	21496	21519	21523	21548	22761	22786	22811	22814	22843		
	S/T	0.49	0.57	0.65	0.65	0.74	0.52	0.61	0.69	0.69	0.79	0.55	0.64	0.73	0.73	0.83	0.58	0.68	0.78	0.78	0.88		
	PI	0.58	0.58	0.58	0.58	0.58	0.62	0.62	0.62	0.62	0.62	0.65	0.65	0.66	0.66	0.66	0.69	0.69	0.69	0.69	0.70		
23°F 5°C	TC	19165	19190	19211	19212	19238	20319	20344	20364	20368	20392	21533	21561	21585	21589	21614	22831	22856	22881	22884	22913		
	S/T	0.49	0.58	0.65	0.65	0.75	0.52	0.61	0.69	0.69	0.79	0.55	0.65	0.74	0.74	0.84	0.58	0.69	0.78	0.78	0.89		
	PI	0.64	0.64	0.64	0.64	0.64	0.67	0.67	0.68	0.68	0.68	0.71	0.72	0.72	0.72	0.72	0.76	0.76	0.76	0.76	0.76		
35°F 1.7°C	TC	19282	19308	19328	19329	19355	20444	20468	20488	20492	20516	21665	21693	21717	21721	21746	22970	22995	23020	23024	23053		
	S/T	0.49	0.58	0.66	0.66	0.75	0.52	0.61	0.70	0.70	0.79	0.55	0.65	0.74	0.74	0.84	0.59	0.69	0.78	0.78	0.89		
	PI	0.74	0.75	0.75	0.75	0.75	0.79	0.79	0.79	0.79	0.79	0.84	0.84	0.84	0.84	0.84	0.89	0.89	0.89	0.89	0.89		
41°F 5°C	TC	17400	17424	17443	17443	17467	18449	18471	18489	18493	18515	19551	19577	19599	19602	19624	20729	20752	20774	20778	20804		
	S/T	0.49	0.58	0.66	0.66	0.75	0.52	0.61	0.70	0.70	0.80	0.56	0.65	0.74	0.74	0.84	0.59	0.69	0.78	0.78	0.89		
	PI	0.76	0.76	0.76	0.76	0.76	0.81	0.81	0.81	0.81	0.81	0.86	0.86	0.86	0.86	0.86	0.91	0.91	0.91	0.91	0.91		
47°F 8.3°C	TC	15519	15540	15557	15558	15579	16455	16474	16490	16494	16513	17438	17460	17480	17483	17502	18488	18508	18528	18531	18554		
	S/T	0.50	0.58	0.66	0.66	0.75	0.53	0.62	0.70	0.70	0.80	0.56	0.65	0.74	0.74	0.85	0.59	0.69	0.79	0.79	0.90		
	PI	0.78	0.78	0.78	0.78	0.78	0.83	0.83	0.83	0.83	0.83	0.88	0.88	0.88	0.88	0.88	0.93	0.93	0.93	0.93	0.93		
50°F 10°C	TC	15565	15586	15602	15603	15624	16503	16522	16538	16542	16561	17489	17511	17531	17534	17554	18542	18562	18583	18585	18609		
	S/T	0.50	0.58	0.66	0.66	0.76	0.53	0.62	0.70	0.70	0.80	0.56	0.66	0.75	0.75	0.85	0.59	0.70	0.79	0.79	0.90		
	PI	0.79	0.79	0.79	0.79	0.79	0.84	0.84	0.84	0.84	0.84	0.89	0.89	0.89	0.89	0.89	0.94	0.94	0.94	0.94	0.94		
59°F 15°C	TC	15701	15722	15739	15739	15761	16647	16667	16683	16686	16706	17641	17664	17684	17687	17707	18704	18725	18745	18748	18771		
	S/T	0.50	0.59	0.67	0.67	0.76	0.53	0.62	0.71	0.71	0.81	0.56	0.66	0.75	0.75	0.86	0.60	0.70	0.80	0.80	0.91		
	PI	0.82	0.82	0.82	0.82	0.82	0.86	0.87	0.87	0.87	0.87	0.92	0.92	0.92	0.92	0.92	0.97	0.97	0.97	0.97	0.98		
68°F 20°C	TC	15837	15858	15875	15876	15897	16791	16811	16828	16831	16851	17794	17817	17837	17841	17861	18866	18887	18908	18910	18934		
	S/T	0.51	0.60	0.69	0.69	0.78	0.54	0.64	0.73	0.73	0.83	0.58	0.68	0.77	0.77	0.88	0.61	0.72	0.82	0.82	0.93		
	PI	0.84	0.84	0.84	0.84	0.85	0.89	0.89	0.90	0.90	0.90	0.95	0.95	0.95	0.95	0.95	1.00	1.00	1.01	1.01	1.01		
77°F 25°C	TC	15973	15994	16012	16012	16034	16935	16955	16972	16976	16996	17947	17971	17991	17994	18014	19029	19049	19070	19073	19097		
	S/T	0.52	0.61	0.69	0.69	0.79	0.55	0.65	0.74	0.74	0.84	0.59	0.69	0.78	0.78	0.89	0.62	0.73	0.83	0.83	0.94		
	PI	0.87	0.87	0.87	0.87	0.87	0.92	0.92	0.92	0.92	0.93	0.98	0.98	0.98	0.98	0.98	1.04	1.04	1.04	1.04	1.04		
82°F 27.8°C	TC	16300	16322	16340	16341	16363	17283	17303	17320	17324	17344	18315	18339	18359	18363	18383	19419	19440	19461	19464	19488		
	S/T	0.53	0.62	0.70	0.70	0.80	0.56	0.66	0.75	0.75	0.85	0.59	0.70	0.79	0.79	0.90	0.63	0.74	0.84	0.84	0.95		
	PI	0.98	0.98	0.98	0.98	0.99	1.04	1.04	1.04	1.04	1.04	1.10	1.10	1.11	1.11	1.11	1.17	1.17	1.17	1.17	1.17		
86°F 30°C	TC	16880	16903	16921	16922	16945	17898	17919	17936	17940	17961	18967	18991	19013	19016	19037	20110	20131	20153	20156	20182		
	S/T	0.53	0.63	0.71	0.71	0.81	0.57	0.66	0.75	0.75	0.86	0.60	0.70	0.80	0.80	0.91	0.64	0.75	0.85	0.85	0.97		
	PI	1.19	1.20	1.20	1.20	1.20	1.27	1.27	1.27	1.27	1.27	1.34	1.34	1.34	1.34	1.35	1.42	1.42	1.43	1.43	1.43		
95°F 35°C	TC	18185	18210	18229	18230	18255	19281	19304	19323	19327	19350	20433	20459	20482	20486	20509	21664	21688	21711	21715	21742		
	S/T	0.53	0.63	0.71	0.71	0.81	0.57	0.66	0.75	0.75	0.86	0.60	0.70	0.80	0.80	0.91	0.64	0.75	0.85	0.85	0.97		
	PI	1.67	1.67	1.67	1.68	1.68	1.77	1.77	1.78	1.78	1.78	1.88	1.88	1.88	1.88	1.88	1.99	1.99	1.99	1.99	2.00		

Table 6 – 24K Cooling — D5CURA + D5FUAA

Airflow CFM	Out-door DB °F °C	ID WB °F(°C) ID DB °F/°C	60.8°F (16.0°C)					64.4°F (16.0°C)					67.0°F (19.4°C)					71.6°F (22.0°C)				
			73.4°F 23.0°C	77.0°F 25.0°C	80.0°F 26.7°C	80.6°F 27.0°C	84.2°F 29.0°C	73.4°F 23.0°C	77.0°F 25.0°C	80.0°F 26.7°C	80.6°F 27.0°C	84.2°F 29.0°C	73.4°F 23.0°C	77.0°F 25.0°C	80.0°F 26.7°C	80.6°F 27.0°C	84.2°F 29.0°C	73.4°F 23.0°C	77.0°F 25.0°C	80.0°F 26.7°C	80.6°F 27.0°C	84.2°F 29.0°C
			629	-22°F 30°C	TC	/	/	/	/	/	/	/	/	/	/	/	/	/	/	/	/	/
		S/T	/	/	/	/	/	/	/	/	/	/	/	/	/	/	/	/	/	/	/	/
		PI	/	/	/	/	/	/	/	/	/	/	/	/	/	/	/	/	/	/	/	/
	-13°F 25°C	TC	16580	16602	16620	16621	16643	17579	17600	17617	17621	17641	18629	18653	18674	18678	18698	19752	19773	19795	19798	19822
		S/T	0.41	0.48	0.55	0.55	0.62	0.43	0.51	0.58	0.58	0.66	0.46	0.54	0.61	0.61	0.70	0.49	0.57	0.65	0.65	0.74
		PI	0.65	0.65	0.65	0.65	0.65	0.68	0.69	0.69	0.69	0.69	0.73	0.73	0.73	0.73	0.73	0.77	0.77	0.77	0.77	0.77
	-4°F 20°C	TC	17855	17879	17898	17899	17923	18931	18954	18972	18976	18999	20062	20088	20111	20114	20137	21271	21294	21317	21321	21347
		S/T	0.41	0.48	0.55	0.55	0.63	0.44	0.51	0.58	0.58	0.66	0.46	0.54	0.62	0.62	0.70	0.49	0.58	0.65	0.65	0.75
		PI	0.70	0.70	0.70	0.70	0.70	0.74	0.74	0.74	0.74	0.74	0.78	0.78	0.78	0.78	0.78	0.83	0.83	0.83	0.83	0.83
	0°F 17.8°C	TC	18422	18447	18467	18467	18492	19532	19555	19575	19578	19602	20699	20726	20749	20753	20776	21946	21970	21994	21997	22025
		S/T	0.41	0.48	0.55	0.55	0.63	0.44	0.51	0.58	0.58	0.67	0.46	0.54	0.62	0.62	0.71	0.49	0.58	0.66	0.66	0.75
		PI	0.72	0.72	0.72	0.72	0.72	0.76	0.76	0.76	0.76	0.76	0.81	0.81	0.81	0.81	0.81	0.86	0.86	0.86	0.86	0.86
	5°F 15°C	TC	19130	19156	19177	19178	19204	20283	20307	20327	20331	20356	21495	21523	21547	21551	21575	22790	22815	22840	22843	22872
		S/T	0.42	0.49	0.55	0.55	0.63	0.44	0.52	0.59	0.59	0.67	0.47	0.55	0.62	0.62	0.71	0.49	0.58	0.66	0.66	0.75
		PI	0.75	0.75	0.75	0.75	0.75	0.79	0.79	0.79	0.79	0.79	0.84	0.84	0.84	0.84	0.84	0.89	0.89	0.89	0.89	0.89
	14°F 10°C	TC	19041	19067	19087	19088	19114	20188	20212	20232	20236	20260	21395	21422	21446	21450	21474	22684	22708	22733	22737	22765
		S/T	0.42	0.49	0.55	0.55	0.63	0.44	0.52	0.59	0.59	0.67	0.47	0.55	0.62	0.62	0.71	0.50	0.58	0.66	0.66	0.75
		PI	0.85	0.85	0.85	0.85	0.85	0.90	0.90	0.90	0.90	0.90	0.95	0.95	0.95	0.95	0.96	1.01	1.01	1.01	1.01	1.01
	17°F 10°C	TC	19011	19037	19057	19058	19084	20157	20181	20201	20205	20229	21361	21389	21413	21417	21441	22648	22673	22697	22701	22729
		S/T	0.42	0.49	0.56	0.56	0.63	0.44	0.52	0.59	0.59	0.67	0.47	0.55	0.63	0.63	0.71	0.50	0.58	0.66	0.66	0.76
		PI	0.88	0.88	0.88	0.88	0.88	0.93	0.94	0.94	0.94	0.94	0.99	0.99	0.99	0.99	0.99	1.05	1.05	1.05	1.05	1.05
	23°F 5°C	TC	18749	18774	18794	18795	18821	19879	19902	19922	19926	19950	21066	21094	21117	21121	21145	22336	22360	22384	22388	22416
		S/T	0.42	0.49	0.56	0.56	0.64	0.44	0.52	0.59	0.59	0.68	0.47	0.55	0.63	0.63	0.72	0.50	0.59	0.67	0.67	0.76
		PI	0.92	0.92	0.92	0.92	0.93	0.98	0.98	0.98	0.98	0.98	1.04	1.04	1.04	1.04	1.04	1.10	1.10	1.10	1.10	1.10
	35°F 1.7°C	TC	18224	18249	18269	18269	18294	19323	19346	19365	19369	19392	20477	20504	20527	20530	20553	21711	21735	21758	21762	21789
		S/T	0.42	0.49	0.56	0.56	0.64	0.45	0.52	0.60	0.60	0.68	0.47	0.56	0.63	0.63	0.72	0.50	0.59	0.67	0.67	0.76
		PI	1.00	1.00	1.00	1.00	1.01	1.06	1.06	1.07	1.07	1.07	1.13	1.13	1.13	1.13	1.13	1.19	1.20	1.20	1.20	1.20
	41°F 5°C	TC	17794	17818	17837	17838	17862	18867	18889	18908	18911	18934	19994	20020	20042	20046	20068	21198	21222	21245	21248	21274
		S/T	0.42	0.50	0.56	0.56	0.64	0.45	0.53	0.60	0.60	0.68	0.47	0.56	0.63	0.63	0.72	0.50	0.59	0.67	0.67	0.76
		PI	0.90	0.90	0.90	0.90	0.90	0.95	0.95	0.95	0.96	0.96	1.01	1.01	1.01	1.01	1.01	1.07	1.07	1.07	1.07	1.07
	47°F 8.3°C	TC	17364	17387	17406	17407	17430	18411	18432	18451	18454	18476	19510	19536	19558	19561	19583	20686	20708	20731	20734	20760
		S/T	0.42	0.50	0.56	0.56	0.64	0.45	0.53	0.60	0.60	0.68	0.48	0.56	0.63	0.63	0.72	0.50	0.59	0.67	0.67	0.77
		PI	0.79	0.80	0.80	0.80	0.80	0.84	0.84	0.84	0.84	0.85	0.89	0.89	0.90	0.90	0.90	0.95	0.95	0.95	0.95	0.95
	50°F 10°C	TC	17313	17337	17355	17356	17380	18357	18379	18397	18400	18422	19454	19479	19501	19504	19526	20626	20648	20671	20674	20699
		S/T	0.43	0.50	0.57	0.57	0.65	0.45	0.53	0.60	0.60	0.69	0.48	0.56	0.64	0.64	0.73	0.51	0.60	0.68	0.68	0.77
		PI	0.81	0.81	0.81	0.81	0.81	0.85	0.85	0.86	0.86	0.86	0.90	0.91	0.91	0.91	0.91	0.96	0.96	0.96	0.96	0.96
	59°F 15°C	TC	17161	17185	17203	17204	17227	18196	18217	18235	18239	18260	19283	19308	19329	19333	19354	20445	20467	20489	20492	20518
		S/T	0.43	0.50	0.57	0.57	0.65	0.45	0.53	0.60	0.60	0.69	0.48	0.56	0.64	0.64	0.73	0.51	0.60	0.68	0.68	0.77
		PI	0.84	0.84	0.84	0.84	0.84	0.89	0.89	0.89	0.89	0.89	0.94	0.94	0.94	0.94	0.94	1.00	1.00	1.00	1.00	1.00
	68°F 20°C	TC	17009	17032	17051	17051	17074	18034	18056	18074	18077	18099	19112	19137	19158	19162	19183	20263	20286	20308	20311	20336
		S/T	0.44	0.52	0.59	0.59	0.67	0.47	0.55	0.62	0.62	0.71	0.49	0.58	0.66	0.66	0.75	0.52	0.61	0.70	0.70	0.80
		PI	0.87	0.87	0.87	0.87	0.87	0.92	0.92	0.92	0.92	0.92	0.97	0.97	0.98	0.98	0.98	1.03	1.03	1.03	1.03	1.04
	77°F 25°C	TC	16857	16880	16898	16899	16922	17873	17895	17912	17916	17937	18941	18966	18987	18990	19012	20082	20104	20126	20129	20154
		S/T	0.45	0.52	0.59	0.59	0.68	0.47	0.55	0.63	0.63	0.72	0.50	0.59	0.67	0.67	0.76	0.53	0.62	0.71	0.71	0.81
		PI	0.90	0.90	0.90	0.90	0.90	0.95	0.95	0.95	0.95	0.95	1.01	1.01	1.01	1.01	1.01	1.07	1.07	1.07	1.07	1.07
	82°F 27.8°C	TC	17319	17342	17361	17362	17385	18363	18385	18403	18406	18428	19460	19485	19507	19511	19532	20633	20655	20677	20681	20706
		S/T	0.45	0.53	0.60	0.60	0.69	0.48	0.56	0.64	0.64	0.73	0.51	0.59	0.68	0.68	0.77	0.54	0.63	0.72	0.72	0.82
		PI	1.07	1.07	1.07	1.07	1.07	1.13	1.14	1.14	1.14	1.14	1.20	1.20	1.20	1.20	1.21	1.27	1.28	1.28	1.28	1.28
	86°F 30°C	TC	18378	18403	18422	18423	18448	19485	19508	19528	19532	19555	20649	20676	20699	20703	20726	21894	21917	21941	21945	21972
		S/T	0.46	0.54	0.61	0.61	0.69	0.48	0.57	0.65	0.65	0.74	0.51	0.60	0.68	0.68	0.78	0.54	0.64	0.72	0.72	0.83
		PI	1.40	1.40	1.41	1.41	1.41	1.49	1.49	1.49	1.49	1.49	1.58	1.58	1.58	1.58	1.58	1.67	1.67	1.68	1.68	1.68
	95°F 35°C	TC	20760	20788	20810	20811	20839	22011	22037	22059	22063	22089	23326	23356	23382	23387	23413	24731	24758	24785	24789	24820
		S/T	0.46	0.54	0.61	0.61	0.69	0.48	0.57	0.65	0.65	0.74	0.51	0.60	0.68	0.68	0.78	0.54	0.64	0.72	0.72	0.83
		PI	2.15	2.16	2.16	2.16	2.16	2.28	2.29	2.29	2.29	2.29	2.42	2.42	2.43	2.43	2.43	2.57	2.57	2.57	2.57	2.57
	104°F 40°C	TC	19431	19457	19478	19479	19505	20602	20626	20646	20650	20675	21832	21861	21885	21889	21914	23148	23173	23198	23202	23231
		S/T	0.47	0.55	0.62	0.62	0.71	0.50	0.58	0.66	0.66	0.75	0.53	0.62	0.70	0.70	0.80	0.56</				



Table 6 – 24K Cooling — D5CURA + D5FUAA (Continued)

Airflow CFM	Out-door DB °F °C	ID WB °F(°C)	60.8°F (16.0°C)					64.4°F (16.0°C)					67.0°F (19.4°C)					71.6°F (22.0°C)					
			ID DB °F/°C	73.4°F 23.0°C	77.0°F 25.0°C	80.0°F 26.7°C	80.6°F 27.0°C	84.2°F 29.0°C	73.4°F 23.0°C	77.0°F 25.0°C	80.0°F 26.7°C	80.6°F 27.0°C	84.2°F 29.0°C	73.4°F 23.0°C	77.0°F 25.0°C	80.0°F 26.7°C	80.6°F 27.0°C	84.2°F 29.0°C	73.4°F 23.0°C	77.0°F 25.0°C	80.0°F 26.7°C	80.6°F 27.0°C	84.2°F 29.0°C
						/	/	/	/	/	/	/	/	/	/	/	/	/	/	/	/	/	/
759	-22°F 30°C	TC	/	/	/	/	/	/	/	/	/	/	/	/	/	/	/	/	/	/	/	/	/
		S/T	/	/	/	/	/	/	/	/	/	/	/	/	/	/	/	/	/	/	/	/	/
		PI	/	/	/	/	/	/	/	/	/	/	/	/	/	/	/	/	/	/	/	/	/
	-13°F 25°C	TC	18407	18432	18451	18452	18477	19516	19539	19559	19562	19586	20682	20709	20732	20736	20759	21928	21952	21976	21979	22007	
		S/T	0.45	0.53	0.61	0.61	0.69	0.48	0.57	0.64	0.64	0.73	0.51	0.60	0.68	0.68	0.78	0.54	0.64	0.72	0.72	0.82	
		PI	0.72	0.72	0.72	0.72	0.72	0.76	0.76	0.76	0.76	0.76	0.81	0.81	0.81	0.81	0.81	0.85	0.86	0.86	0.86	0.86	
	-4°F 20°C	TC	19823	19849	19871	19872	19898	21017	21042	21063	21067	21092	22273	22302	22327	22331	22356	23615	23641	23666	23670	23700	
		S/T	0.46	0.54	0.61	0.61	0.70	0.48	0.57	0.65	0.65	0.74	0.51	0.60	0.69	0.69	0.78	0.54	0.64	0.73	0.73	0.83	
		PI	0.77	0.77	0.77	0.77	0.78	0.82	0.82	0.82	0.82	0.82	0.87	0.87	0.87	0.87	0.87	0.92	0.92	0.92	0.92	0.92	
	0°F 17.8°C	TC	20452	20480	20502	20503	20530	21685	21710	21732	21736	21762	22980	23010	23036	23040	23066	24365	24391	24418	24422	24452	
		S/T	0.46	0.54	0.61	0.61	0.70	0.49	0.57	0.65	0.65	0.74	0.52	0.60	0.69	0.69	0.78	0.55	0.64	0.73	0.73	0.83	
		PI	0.80	0.80	0.80	0.80	0.80	0.84	0.85	0.85	0.85	0.85	0.90	0.90	0.90	0.90	0.90	0.95	0.95	0.95	0.95	0.95	
	5°F 15°C	TC	21239	21267	21290	21291	21320	22519	22545	22568	22572	22599	23864	23895	23922	23926	23953	25302	25329	25357	25361	25392	
		S/T	0.46	0.54	0.61	0.61	0.70	0.49	0.57	0.65	0.65	0.74	0.52	0.61	0.69	0.69	0.79	0.55	0.64	0.73	0.73	0.83	
		PI	0.83	0.83	0.83	0.83	0.83	0.88	0.88	0.88	0.88	0.88	0.93	0.93	0.93	0.93	0.93	0.99	0.99	0.99	0.99	0.99	
	14°F 10°C	TC	21139	21168	21191	21192	21220	22413	22440	22462	22466	22493	23752	23783	23810	23814	23841	25183	25211	25238	25242	25274	
		S/T	0.46	0.54	0.62	0.62	0.70	0.49	0.57	0.65	0.65	0.74	0.52	0.61	0.69	0.69	0.79	0.55	0.65	0.73	0.73	0.84	
		PI	0.94	0.94	0.94	0.94	0.94	1.00	1.00	1.00	1.00	1.00	1.06	1.06	1.06	1.06	1.06	1.12	1.12	1.12	1.12	1.12	
	17°F 10°C	TC	21106	21135	21157	21158	21187	22378	22405	22427	22431	22458	23715	23746	23772	23777	23803	25144	25171	25199	25203	25234	
		S/T	0.46	0.54	0.62	0.62	0.70	0.49	0.58	0.65	0.65	0.75	0.52	0.61	0.69	0.69	0.79	0.55	0.65	0.74	0.74	0.84	
		PI	0.98	0.98	0.98	0.98	0.98	1.04	1.04	1.04	1.04	1.04	1.10	1.10	1.10	1.10	1.10	1.17	1.17	1.17	1.17	1.17	
	23°F 5°C	TC	20815	20843	20866	20866	20895	22070	22096	22117	22122	22148	23388	23418	23445	23449	23475	24797	24824	24851	24855	24886	
		S/T	0.47	0.55	0.62	0.62	0.71	0.49	0.58	0.66	0.66	0.75	0.52	0.61	0.70	0.70	0.80	0.55	0.65	0.74	0.74	0.84	
		PI	1.02	1.02	1.03	1.03	1.03	1.08	1.09	1.09	1.09	1.09	1.15	1.15	1.15	1.15	1.15	1.22	1.22	1.22	1.22	1.22	
35°F 1.7°C	TC	20233	20260	20282	20283	20310	21452	21478	21499	21503	21529	22734	22763	22789	22793	22818	24104	24130	24156	24160	24190		
	S/T	0.47	0.55	0.62	0.62	0.71	0.50	0.58	0.66	0.66	0.75	0.53	0.62	0.70	0.70	0.80	0.56	0.65	0.74	0.74	0.85		
	PI	1.11	1.11	1.12	1.12	1.12	1.18	1.18	1.18	1.18	1.18	1.25	1.25	1.25	1.25	1.26	1.33	1.33	1.33	1.33	1.33		
41°F 5°C	TC	19755	19782	19803	19804	19831	20946	20971	20991	20995	21020	22197	22226	22251	22255	22280	23535	23560	23586	23589	23619		
	S/T	0.47	0.55	0.63	0.63	0.71	0.50	0.58	0.66	0.66	0.76	0.53	0.62	0.70	0.70	0.80	0.56	0.66	0.74	0.74	0.85		
	PI	1.00	1.00	1.00	1.00	1.00	1.06	1.06	1.06	1.06	1.06	1.12	1.12	1.12	1.12	1.13	1.19	1.19	1.19	1.19	1.19		
47°F 8.3°C	TC	19278	19304	19324	19325	19351	20439	20464	20484	20488	20512	21661	21689	21713	21717	21741	22966	22991	23016	23019	23048		
	S/T	0.47	0.55	0.63	0.63	0.71	0.50	0.59	0.66	0.66	0.76	0.53	0.62	0.70	0.70	0.80	0.56	0.66	0.75	0.75	0.85		
	PI	0.88	0.88	0.88	0.88	0.89	0.94	0.94	0.94	0.94	0.94	0.99	0.99	0.99	0.99	1.00	1.05	1.05	1.05	1.05	1.06		
50°F 10°C	TC	19221	19247	19268	19269	19295	20380	20404	20424	20428	20452	21597	21625	21650	21654	21678	22899	22924	22948	22952	22981		
	S/T	0.47	0.55	0.63	0.63	0.72	0.50	0.59	0.67	0.67	0.76	0.53	0.62	0.71	0.71	0.81	0.56	0.66	0.75	0.75	0.86		
	PI	0.89	0.90	0.90	0.90	0.90	0.95	0.95	0.95	0.95	0.95	1.00	1.01	1.01	1.01	1.01	1.06	1.07	1.07	1.07	1.07		
59°F 15°C	TC	19053	19078	19099	19100	19125	20201	20225	20245	20249	20273	21408	21436	21459	21463	21487	22698	22722	22747	22751	22779		
	S/T	0.48	0.56	0.63	0.63	0.72	0.50	0.59	0.67	0.67	0.77	0.53	0.63	0.71	0.71	0.81	0.57	0.66	0.75	0.75	0.86		
	PI	0.93	0.93	0.93	0.93	0.93	0.98	0.99	0.99	0.99	0.99	1.04	1.04	1.05	1.05	1.05	1.11	1.11	1.11	1.11	1.11		
68°F 20°C	TC	18884	18909	18930	18931	18956	20022	20046	20065	20069	20093	21218	21246	21269	21273	21297	22497	22521	22546	22549	22577		
	S/T	0.49	0.57	0.65	0.65	0.74	0.52	0.61	0.69	0.69	0.79	0.55	0.64	0.73	0.73	0.83	0.58	0.68	0.77	0.77	0.88		
	PI	0.96	0.96	0.96	0.96	0.97	1.02	1.02	1.02	1.02	1.02	1.08	1.08	1.08	1.08	1.09	1.15	1.15	1.15	1.15	1.15		
77°F 25°C	TC	18715	18740	18761	18761	18787	19843	19867	19886	19890	19914	21029	21056	21079	21083	21107	22296	22320	22344	22348	22375		
	S/T	0.49	0.58	0.66	0.66	0.75	0.52	0.61	0.70	0.70	0.80	0.56	0.65	0.74	0.74	0.84	0.59	0.69	0.78	0.78	0.89		
	PI	1.00	1.00	1.00	1.00	1.00	1.06	1.06	1.06	1.06	1.06	1.12	1.12	1.12	1.12	1.12	1.19	1.19	1.19	1.19	1.19		
82°F 27.8°C	TC	19228	19254	19274	19275	19301	20387	20411	20431	20435	20459	21605	21633	21657	21661	21685	22906	22931	22956	22960	22988		
	S/T	0.50	0.59	0.67	0.67	0.76	0.53	0.62	0.71	0.71	0.81	0.56	0.66	0.75	0.75	0.85	0.60	0.70	0.79	0.79	0.91		
	PI	1.19	1.19	1.19	1.19	1.19	1.26	1.26	1.26	1.26	1.26	1.33	1.34	1.34	1.34	1.34	1.41	1.42	1.42	1.42	1.42		
86°F 30°C	TC	20403	20431	20453	20453	20481	21633	21658	21680	21684	21710	22925	22955	22980	22985	23010	24306	24333	24359	24363	24393		
	S/T	0.51	0.59	0.68	0.68	0.77	0.54	0.63	0.72	0.72	0.82	0.57	0.67	0.76	0.76	0.87	0.60	0.71	0.80	0.80	0.92		
	PI	1.56	1.56	1.56	1.56	1.56	1.65	1.65	1.66	1.66	1.66	1.75	1.75	1.75	1.75	1.76	1.86	1.86	1.86	1.86	1.86		
95°F 35°C	TC	23048	23079	23103	23104	23136	24436	24465	24490	24494	24523	25896	25930	25959	25964	25993	27457	27487	27516	27521	27555		
	S/T	0.51	0.59	0.68	0.68	0.77	0.54	0.63	0.72	0.72	0.82	0.57	0.67	0.76	0.76	0.87	0.60	0.71	0.80	0.80	0.92		
	PI	2.39	2.39	2.40	2.40	2.40	2.53	2.54	2.54	2.54	2.54	2.69	2.69	2.69	2.69	2.70	2.85	2.85	2.85	2.85	2.86		
104°F 40°C	TC	21572	21601	21624	21625	21654	22872	22899	22922	22926	22953	24238	24270	24297	24301	24328	25699	25727	25755	25759	25791		
	S/T	0.52	0.61	0.69	0.69	0.79	0.55	0.65	0.73	0.73	0.84	0.58	0.68	0.78	0.78	0.89	0.62	0.73	0.82	0.83	0.94		
	PI	2.39	2.39	2.																			

Table 6 – 24K Cooling — D5CURA + D5FUAA (Continued)

Airflow CFM	Outdoor DB °F °C	ID WB °F(°C)	60.8°F (16.0°C)					64.4°F (16.0°C)					67.0°F (19.4°C)					71.6°F (22.0°C)					
			ID DB °F(°C)	73.4°F 23.0°C	77.0°F 25.0°C	80.0°F 26.7°C	80.6°F 27.0°C	84.2°F 29.0°C	73.4°F 23.0°C	77.0°F 25.0°C	80.0°F 26.7°C	80.6°F 27.0°C	84.2°F 29.0°C	73.4°F 23.0°C	77.0°F 25.0°C	80.0°F 26.7°C	80.6°F 27.0°C	84.2°F 29.0°C	73.4°F 23.0°C	77.0°F 25.0°C	80.0°F 26.7°C	80.6°F 27.0°C	84.2°F 29.0°C
			TC	S/T	PI	TC	S/T	PI	TC	S/T	PI	TC	S/T	PI	TC	S/T	PI	TC	S/T	PI	TC	S/T	PI
824	-22°F 30°C	TC	/	/	/	/	/	/	/	/	/	/	/	/	/	/	/	/	/	/	/	/	
		S/T	/	/	/	/	/	/	/	/	/	/	/	/	/	/	/	/	/	/	/	/	
		PI	/	/	/	/	/	/	/	/	/	/	/	/	/	/	/	/	/	/	/	/	
	-13°F 25°C	TC	19395	19421	19442	19442	19469	20563	20588	20608	20612	20637	21792	21820	21845	21849	21873	23105	23130	23155	23159	23188	
		S/T	0.48	0.56	0.64	0.64	0.73	0.51	0.60	0.68	0.68	0.77	0.54	0.63	0.72	0.72	0.82	0.57	0.67	0.76	0.76	0.87	
		PI	0.76	0.76	0.76	0.76	0.76	0.80	0.80	0.80	0.80	0.80	0.85	0.85	0.85	0.85	0.85	0.90	0.90	0.90	0.90	0.90	
	-4°F 20°C	TC	20886	20915	20937	20938	20966	22145	22171	22193	22198	22224	23468	23499	23525	23529	23556	24882	24909	24936	24940	24971	
		S/T	0.48	0.57	0.64	0.64	0.73	0.51	0.60	0.68	0.68	0.78	0.54	0.64	0.72	0.72	0.82	0.57	0.67	0.77	0.77	0.87	
		PI	0.81	0.81	0.82	0.82	0.82	0.86	0.86	0.86	0.86	0.87	0.91	0.92	0.92	0.92	0.92	0.97	0.97	0.97	0.97	0.97	
	0°F 17.8°C	TC	21550	21579	21602	21603	21632	22848	22875	22898	22902	22930	24213	24245	24272	24276	24303	25672	25700	25728	25732	25764	
		S/T	0.48	0.57	0.64	0.64	0.73	0.51	0.60	0.68	0.68	0.78	0.54	0.64	0.72	0.72	0.83	0.58	0.68	0.77	0.77	0.88	
		PI	0.84	0.84	0.84	0.84	0.84	0.89	0.89	0.89	0.89	0.89	0.94	0.94	0.95	0.95	0.95	1.00	1.00	1.00	1.00	1.00	
	5°F 15°C	TC	22378	22408	22433	22434	22464	23727	23755	23779	23783	23811	25145	25177	25205	25210	25238	26660	26689	26718	26722	26755	
		S/T	0.49	0.57	0.65	0.65	0.74	0.51	0.60	0.69	0.69	0.78	0.55	0.64	0.73	0.73	0.83	0.58	0.68	0.77	0.77	0.88	
		PI	0.87	0.87	0.87	0.87	0.88	0.92	0.93	0.93	0.93	0.93	0.98	0.98	0.98	0.98	0.98	1.04	1.04	1.04	1.04	1.04	
	14°F 10°C	TC	22274	22304	22328	22329	22359	23616	23644	23667	23672	23700	25027	25059	25087	25092	25120	26535	26564	26593	26597	26630	
		S/T	0.49	0.57	0.65	0.65	0.74	0.52	0.61	0.69	0.69	0.78	0.55	0.64	0.73	0.73	0.83	0.58	0.68	0.77	0.77	0.88	
		PI	0.99	0.99	0.99	0.99	1.00	1.05	1.05	1.05	1.05	1.05	1.11	1.12	1.12	1.12	1.12	1.18	1.18	1.18	1.18	1.19	
	17°F 10°C	TC	22239	22269	22293	22294	22324	23579	23607	23630	23635	23663	24988	25020	25048	25053	25081	26493	26522	26551	26555	26588	
		S/T	0.49	0.57	0.65	0.65	0.74	0.52	0.61	0.69	0.69	0.79	0.55	0.64	0.73	0.73	0.83	0.58	0.68	0.78	0.78	0.88	
		PI	1.03	1.03	1.03	1.03	1.03	1.09	1.09	1.10	1.10	1.10	1.16	1.16	1.16	1.16	1.16	1.23	1.23	1.23	1.23	1.23	
	23°F 5°C	TC	21932	21962	21985	21986	22016	23254	23281	23304	23309	23337	24643	24675	24703	24707	24735	26128	26156	26185	26189	26221	
		S/T	0.49	0.58	0.65	0.65	0.75	0.52	0.61	0.69	0.69	0.79	0.55	0.65	0.74	0.74	0.84	0.58	0.69	0.78	0.78	0.89	
		PI	1.08	1.08	1.08	1.08	1.08	1.14	1.14	1.15	1.15	1.15	1.21	1.21	1.21	1.21	1.22	1.28	1.29	1.29	1.29	1.29	
35°F 1.7°C	TC	21319	21347	21370	21371	21400	22603	22630	22652	22657	22684	23954	23985	24012	24016	24043	25397	25425	25452	25456	25488		
	S/T	0.49	0.58	0.66	0.66	0.75	0.52	0.61	0.70	0.70	0.79	0.55	0.65	0.74	0.74	0.84	0.59	0.69	0.78	0.78	0.89		
	PI	1.17	1.17	1.18	1.18	1.18	1.24	1.24	1.25	1.25	1.25	1.32	1.32	1.32	1.32	1.32	1.40	1.40	1.40	1.40	1.40		
41°F 5°C	TC	20815	20843	20866	20867	20895	22070	22096	22118	22122	22148	23388	23419	23445	23449	23475	24797	24824	24851	24855	24886		
	S/T	0.49	0.58	0.66	0.66	0.75	0.52	0.61	0.70	0.70	0.80	0.56	0.65	0.74	0.74	0.84	0.59	0.69	0.78	0.78	0.89		
	PI	1.05	1.05	1.05	1.05	1.06	1.11	1.12	1.12	1.12	1.12	1.18	1.18	1.18	1.18	1.19	1.25	1.25	1.26	1.26	1.26		
47°F 8.3°C	TC	20312	20339	20361	20362	20390	21536	21562	21583	21587	21613	22823	22853	22878	22882	22908	24198	24224	24251	24254	24285		
	S/T	0.50	0.58	0.66	0.66	0.75	0.53	0.62	0.70	0.70	0.80	0.56	0.65	0.74	0.74	0.85	0.59	0.69	0.79	0.79	0.90		
	PI	0.93	0.93	0.93	0.93	0.93	0.99	0.99	0.99	0.99	0.99	1.04	1.05	1.05	1.05	1.05	1.11	1.11	1.11	1.11	1.11		
50°F 10°C	TC	20253	20280	20302	20303	20330	21473	21499	21520	21524	21550	22756	22786	22811	22815	22841	24127	24154	24180	24184	24214		
	S/T	0.50	0.58	0.66	0.66	0.76	0.53	0.62	0.70	0.70	0.80	0.56	0.66	0.75	0.75	0.85	0.59	0.70	0.79	0.79	0.90		
	PI	0.94	0.94	0.94	0.94	0.95	1.00	1.00	1.00	1.00	1.00	1.06	1.06	1.06	1.06	1.06	1.12	1.12	1.12	1.12	1.13		
59°F 15°C	TC	20075	20102	20124	20125	20152	21285	21310	21331	21335	21361	22557	22586	22611	22615	22640	23916	23942	23968	23971	24001		
	S/T	0.50	0.59	0.67	0.67	0.76	0.53	0.62	0.71	0.71	0.81	0.56	0.66	0.75	0.75	0.86	0.60	0.70	0.80	0.80	0.91		
	PI	0.98	0.98	0.98	0.98	0.98	1.04	1.04	1.04	1.04	1.04	1.10	1.10	1.10	1.10	1.10	1.16	1.17	1.17	1.17	1.17		
68°F 20°C	TC	19897	19924	19945	19946	19973	21096	21121	21142	21146	21171	22357	22386	22411	22415	22440	23704	23730	23755	23759	23789		
	S/T	0.51	0.60	0.69	0.69	0.78	0.54	0.64	0.73	0.73	0.83	0.58	0.68	0.77	0.77	0.88	0.61	0.72	0.82	0.82	0.93		
	PI	1.01	1.02	1.02	1.02	1.02	1.07	1.08	1.08	1.08	1.08	1.14	1.14	1.14	1.14	1.14	1.21	1.21	1.21	1.21	1.21		
77°F 25°C	TC	19719	19746	19767	19768	19795	20908	20933	20953	20957	20982	22157	22186	22210	22215	22239	23492	23518	23543	23547	23576		
	S/T	0.52	0.61	0.69	0.69	0.79	0.55	0.65	0.74	0.74	0.84	0.59	0.69	0.78	0.78	0.89	0.62	0.73	0.83	0.83	0.94		
	PI	1.05	1.05	1.05	1.05	1.05	1.11	1.11	1.12	1.12	1.12	1.18	1.18	1.18	1.18	1.18	1.25	1.25	1.25	1.25	1.25		
82°F 27.8°C	TC	20260	20287	20309	20310	20337	21481	21506	21527	21531	21557	22764	22793	22819	22823	22849	24135	24162	24188	24192	24222		
	S/T	0.53	0.62	0.70	0.70	0.80	0.56	0.66	0.75	0.75	0.85	0.59	0.70	0.79	0.79	0.90	0.63	0.74	0.84	0.84	0.95		
	PI	1.25	1.25	1.25	1.25	1.26	1.33	1.33	1.33	1.33	1.33	1.41	1.41	1.41	1.41	1.41	1.49	1.49	1.49	1.49	1.50		
86°F 30°C	TC	21498	21527	21550	21551	21580	22794	22821	22843	22848	22875	24155	24187	24214	24218	24245	25611	25639	25666	25670	25702		
	S/T	0.53	0.63	0.71	0.71	0.81	0.57	0.66	0.75	0.75	0.86	0.60	0.70	0.80	0.80	0.91	0.64	0.75	0.85	0.85	0.97		
	PI	1.64	1.64	1.65	1.65	1.65	1.74	1.74	1.74	1.74	1.75	1.84	1.85	1.85	1.85	1.85	1.96	1.96	1.96	1.96	1.96		
95°F 35°C	TC	24284	24317	24343	24344	24377	25748	25778	25804	25809	25839	27286	27322	27352	27357	27388	28930	28962	28993	28998	29034		
	S/T	0.53	0.63	0.71	0.71	0.81	0.57	0.66	0.75	0.75	0.86	0.60	0.70	0.80	0.80	0.91	0.64	0.75	0.85	0.85	0.97		
	PI	2.52	2.52	2.53	2.53	2.53	2.67	2.67	2.68	2.68	2.68	2.83	2.83	2.84	2.84	2.84	3.00	3.00	3.01	3.01	3.01		
104°F 40°C	TC	22729	22760	22784	22786	22816	24099	24128	24152	24156	24185	25539	25572	25601	25605	25634	27078	27107	27137	27141	27175		
	S/T	0.55	0.64	0.73	0.73	0.83	0.58	0.68	0.77	0.77	0.88	0.62	0.72	0.82	0.82	0.93	0.65	0.76	0.87	0.87	0.99		
	PI	2.52	2.52	2.52	2.52	2.53	2.67	2.67	2.67	2.67	2.68	2.83	2.83	2.83	2.83	2.84	3.00	3.00	3.00	3.00	3.01		
110°F 43°C	TC	21796																					

Table 7 – 30K Cooling — D5CURA + D5FUAA

Airflow CFM	Out-door DB °F °C	ID WB °F(°C)	60.8°F (16.0°C)					64.4°F (16.0°C)					67.0°F (19.4°C)					71.6°F (22.0°C)				
			ID DB °F/°C					ID DB °F/°C					ID DB °F/°C					ID DB °F/°C				
			73.4°F 23.0°C	77.0°F 25.0°C	80.0°F 26.7°C	80.6°F 27.0°C	84.2°F 29.0°C	73.4°F 23.0°C	77.0°F 25.0°C	80.0°F 26.7°C	80.6°F 27.0°C	84.2°F 29.0°C	73.4°F 23.0°C	77.0°F 25.0°C	80.0°F 26.7°C	80.6°F 27.0°C	84.2°F 29.0°C	73.4°F 23.0°C	77.0°F 25.0°C	80.0°F 26.7°C	80.6°F 27.0°C	84.2°F 29.0°C
712	-22°F 30°C	TC	/	/	/	/	/	/	/	/	/	/	/	/	/	/	/	/	/	/	/	
		S/T	/	/	/	/	/	/	/	/	/	/	/	/	/	/	/	/	/	/	/	
		PI	/	/	/	/	/	/	/	/	/	/	/	/	/	/	/	/	/	/	/	
	-13°F 25°C	TC	21337	21366	21389	21390	21418	22623	22650	22672	22676	22703	23974	24006	24032	24037	24064	25419	25447	25474	25478	25510
		S/T	0.39	0.46	0.52	0.52	0.59	0.41	0.48	0.55	0.55	0.62	0.44	0.51	0.58	0.58	0.66	0.46	0.54	0.62	0.62	0.70
		PI	1.00	1.00	1.00	1.00	1.00	1.06	1.06	1.06	1.06	1.06	1.12	1.12	1.12	1.12	1.12	1.19	1.19	1.19	1.19	1.19
	-4°F 20°C	TC	22978	23009	23034	23035	23066	24363	24392	24416	24421	24450	25819	25852	25881	25886	25915	27374	27404	27434	27438	27472
		S/T	0.39	0.46	0.52	0.52	0.59	0.41	0.49	0.55	0.55	0.63	0.44	0.51	0.58	0.58	0.67	0.46	0.55	0.62	0.62	0.71
		PI	1.07	1.08	1.08	1.08	1.08	1.14	1.14	1.14	1.14	1.14	1.21	1.21	1.21	1.21	1.21	1.28	1.28	1.28	1.28	1.28
	0°F 17.8°C	TC	23708	23740	23765	23766	23798	25137	25166	25191	25196	25226	26638	26673	26703	26708	26737	28243	28274	28305	28309	28344
		S/T	0.39	0.46	0.52	0.52	0.59	0.41	0.49	0.55	0.55	0.63	0.44	0.52	0.59	0.59	0.67	0.47	0.55	0.62	0.62	0.71
		PI	1.11	1.11	1.11	1.11	1.11	1.17	1.18	1.18	1.18	1.18	1.24	1.25	1.25	1.25	1.25	1.32	1.32	1.32	1.32	1.32
	5°F 15°C	TC	24620	24653	24679	24680	24714	26103	26134	26160	26165	26196	27663	27699	27730	27735	27766	29330	29361	29393	29398	29435
		S/T	0.39	0.46	0.52	0.52	0.60	0.42	0.49	0.56	0.56	0.63	0.44	0.52	0.59	0.59	0.67	0.47	0.55	0.62	0.62	0.71
		PI	1.15	1.15	1.15	1.15	1.15	1.22	1.22	1.22	1.22	1.22	1.29	1.29	1.30	1.30	1.30	1.37	1.37	1.37	1.37	1.38
	14°F 10°C	TC	24553	24586	24613	24614	24647	26033	26064	26090	26095	26126	27588	27624	27655	27660	27691	29251	29282	29314	29319	29355
		S/T	0.39	0.46	0.53	0.53	0.60	0.42	0.49	0.56	0.56	0.63	0.44	0.52	0.59	0.59	0.67	0.47	0.55	0.63	0.63	0.71
		PI	1.12	1.12	1.13	1.13	1.13	1.19	1.19	1.19	1.19	1.20	1.26	1.26	1.27	1.27	1.27	1.34	1.34	1.34	1.34	1.34
	17°F 10°C	TC	24531	24564	24591	24592	24625	26010	26041	26066	26071	26102	27564	27599	27630	27635	27666	29224	29256	29288	29293	29329
		S/T	0.40	0.46	0.53	0.53	0.60	0.42	0.49	0.56	0.56	0.64	0.44	0.52	0.59	0.59	0.67	0.47	0.55	0.63	0.63	0.72
		PI	1.11	1.12	1.12	1.12	1.12	1.18	1.18	1.18	1.18	1.19	1.25	1.25	1.26	1.26	1.26	1.33	1.33	1.33	1.33	1.33
	23°F 5°C	TC	24280	24312	24338	24340	24372	25743	25773	25799	25804	25835	27281	27316	27347	27352	27382	28925	28956	28988	28992	29028
		S/T	0.40	0.47	0.53	0.53	0.60	0.42	0.49	0.56	0.56	0.64	0.45	0.52	0.59	0.59	0.68	0.47	0.55	0.63	0.63	0.72
		PI	1.15	1.15	1.15	1.15	1.15	1.22	1.22	1.22	1.22	1.22	1.29	1.29	1.29	1.30	1.30	1.37	1.37	1.37	1.37	1.37
	35°F 1.7°C	TC	23776	23808	23834	23835	23867	25209	25239	25264	25269	25299	26715	26750	26780	26785	26815	28325	28356	28386	28391	28426
		S/T	0.40	0.47	0.53	0.53	0.61	0.42	0.50	0.56	0.56	0.64	0.45	0.53	0.60	0.60	0.68	0.48	0.56	0.63	0.63	0.72
		PI	1.22	1.22	1.22	1.22	1.22	1.29	1.30	1.30	1.30	1.30	1.37	1.37	1.37	1.37	1.38	1.45	1.46	1.46	1.46	1.46
41°F 5°C	TC	23586	23618	23643	23644	23676	25008	25037	25062	25067	25097	26502	26536	26566	26571	26600	28098	28129	28160	28164	28199	
	S/T	0.40	0.47	0.53	0.53	0.61	0.42	0.50	0.57	0.57	0.64	0.45	0.53	0.60	0.60	0.68	0.48	0.56	0.64	0.64	0.72	
	PI	1.26	1.26	1.26	1.26	1.26	1.33	1.34	1.34	1.34	1.34	1.41	1.42	1.42	1.42	1.42	1.50	1.50	1.50	1.50	1.50	
47°F 8.3°C	TC	23396	23428	23453	23454	23486	24806	24836	24860	24865	24895	26288	26322	26352	26357	26386	27872	27902	27933	27937	27972	
	S/T	0.40	0.47	0.53	0.53	0.61	0.43	0.50	0.57	0.57	0.65	0.45	0.53	0.60	0.60	0.69	0.48	0.56	0.64	0.64	0.73	
	PI	1.30	1.30	1.30	1.30	1.30	1.37	1.38	1.38	1.38	1.38	1.46	1.46	1.46	1.46	1.46	1.54	1.55	1.55	1.55	1.55	
50°F 10°C	TC	23642	23673	23699	23700	23732	25066	25096	25121	25126	25156	26564	26598	26628	26633	26663	28164	28195	28226	28230	28265	
	S/T	0.40	0.47	0.54	0.54	0.61	0.43	0.50	0.57	0.57	0.65	0.45	0.53	0.60	0.60	0.69	0.48	0.56	0.64	0.64	0.73	
	PI	1.31	1.31	1.31	1.32	1.32	1.39	1.39	1.39	1.39	1.40	1.47	1.48	1.48	1.48	1.48	1.56	1.56	1.57	1.57	1.57	
59°F 15°C	TC	24378	24411	24437	24438	24471	25847	25877	25903	25908	25939	27391	27427	27457	27462	27493	29041	29073	29105	29109	29145	
	S/T	0.41	0.48	0.54	0.54	0.62	0.43	0.50	0.57	0.57	0.65	0.46	0.53	0.61	0.61	0.69	0.48	0.57	0.64	0.64	0.73	
	PI	1.36	1.36	1.36	1.36	1.37	1.44	1.44	1.45	1.45	1.45	1.53	1.53	1.53	1.53	1.53	1.62	1.62	1.62	1.62	1.63	
68°F 20°C	TC	25114	25148	25175	25176	25210	26627	26659	26685	26691	26722	28218	28255	28286	28292	28323	29918	29951	29984	29988	30026	
	S/T	0.42	0.49	0.55	0.55	0.63	0.44	0.52	0.59	0.59	0.67	0.47	0.55	0.62	0.62	0.71	0.50	0.58	0.66	0.66	0.75	
	PI	1.41	1.41	1.41	1.41	1.41	1.49	1.50	1.50	1.50	1.50	1.58	1.59	1.59	1.59	1.59	1.68	1.68	1.68	1.68	1.68	
77°F 25°C	TC	25850	25885	25913	25914	25949	27408	27440	27468	27473	27506	29045	29083	29116	29121	29153	30795	30829	30862	30867	30906	
	S/T	0.42	0.49	0.56	0.56	0.64	0.45	0.52	0.60	0.60	0.68	0.47	0.56	0.63	0.63	0.72	0.50	0.59	0.67	0.67	0.76	
	PI	1.46	1.46	1.46	1.46	1.46	1.55	1.55	1.55	1.55	1.55	1.64	1.64	1.64	1.64	1.64	1.74	1.74	1.74	1.74	1.74	
82°F 27.8°C	TC	25881	25916	25944	25945	25980	27441	27474	27501	27506	27539	29081	29118	29151	29156	29189	30833	30866	30900	30905	30943	
	S/T	0.43	0.50	0.57	0.57	0.65	0.45	0.53	0.60	0.60	0.69	0.48	0.56	0.64	0.64	0.73	0.51	0.60	0.68	0.68	0.77	
	PI	1.58	1.59	1.59	1.59	1.59	1.68	1.68	1.68	1.68	1.69	1.78	1.78	1.78	1.78	1.79	1.89	1.89	1.89	1.89	1.89	
86°F 30°C	TC	25430	25464	25491	25493	25527	26962	26994	27021	27026	27058	28573	28610	28642	28647	28679	30295	30328	30361	30365	30403	
	S/T	0.43	0.51	0.58	0.58	0.66	0.46	0.54	0.61	0.61	0.70	0.49	0.57	0.65	0.65	0.74	0.51	0.60	0.69	0.69	0.78	
	PI	1.81	1.81	1.81	1.81	1.82	1.92	1.92	1.92	1.92	1.93	2.03	2.04	2.04	2.04	2.04	2.16	2.16	2.16	2.16	2.16	
95°F 35°C	TC	24414	24446	24473	24474	24507	25885	25916	25941	25946	25977	27431	27467	27498	27503	27533	29084	29116	29148	29152	29188	
	S/T	0.43	0.51	0.58	0.58	0.66	0.46	0.54	0.61	0.61	0.70	0.49	0.57	0.65	0.65	0.74	0.51	0.60	0.69	0.69	0.78	
	PI	2.32	2.32	2.32	2.32	2.33	2.46	2.46	2.46	2.46	2.47	2.61	2.61	2.61	2.61	2.62	2.76	2.77	2.77	2.77	2.77	
104°F 40°C	TC	22449	22479	22504	22505	22535	23802	23830	23854	23859	23887	25224	25257	25285	25290	25318	26744	26773	26802	26806	26840	
	S/T	0.44	0.52	0.59	0.59	0.67	0.47	0.55	0.63	0.63	0.71	0.50	0.58	0.66	0.66	0.76	0.53	0.62	0.70	0.70	0.80	
	PI	2.43	2.43	2.43	2.43	2.43	2.57	2.57	2.58	2.58	2.58	2.72	2.73	2.73	2.73	2.74	2.89	2.89	2.90	2.90	2.90	
110°F 43°C	TC	21271	21299	21322	21323	21352	22552	22579	22602	22606	22633	23900	23931	23								

Table 7 – 30K Cooling — D5CURA + D5FUAA (Continued)

Airflow CFM	Out-door DB °F °C	ID WB °F(°C)	60.8°F (16.0°C)					64.4°F (16.0°C)					67.0°F (19.4°C)					71.6°F (22.0°C)					
			ID DB °F/°C	73.4°F 23.0°C	77.0°F 25.0°C	80.0°F 26.7°C	80.6°F 27.0°C	84.2°F 29.0°C	73.4°F 23.0°C	77.0°F 25.0°C	80.0°F 26.7°C	80.6°F 27.0°C	84.2°F 29.0°C	73.4°F 23.0°C	77.0°F 25.0°C	80.0°F 26.7°C	80.6°F 27.0°C	84.2°F 29.0°C	73.4°F 23.0°C	77.0°F 25.0°C	80.0°F 26.7°C	80.6°F 27.0°C	84.2°F 29.0°C
			TC	S/T	PI	TC	S/T	PI	TC	S/T	PI	TC	S/T	PI	TC	S/T	PI	TC	S/T	PI	TC	S/T	PI
806	-22°F 30°C	TC	/	/	/	/	/	/	/	/	/	/	/	/	/	/	/	/	/	/	/	/	
		S/T	/	/	/	/	/	/	/	/	/	/	/	/	/	/	/	/	/	/	/	/	
		PI	/	/	/	/	/	/	/	/	/	/	/	/	/	/	/	/	/	/	/	/	
	-13°F 25°C	TC	22896	22927	22952	22953	22984	24276	24305	24329	24333	24362	25726	25760	25788	25793	25822	27276	27306	27336	27340	27374	
		S/T	0.42	0.49	0.55	0.56	0.63	0.44	0.52	0.59	0.59	0.67	0.47	0.55	0.62	0.62	0.71	0.50	0.58	0.66	0.66	0.75	
		PI	1.07	1.07	1.07	1.07	1.07	1.13	1.14	1.14	1.14	1.14	1.20	1.20	1.20	1.21	1.21	1.27	1.28	1.28	1.28	1.28	
	-4°F 20°C	TC	24657	24690	24717	24718	24752	26143	26174	26200	26205	26236	27705	27741	27772	27777	27808	29375	29406	29438	29443	29480	
		S/T	0.42	0.49	0.56	0.56	0.64	0.44	0.52	0.59	0.59	0.67	0.47	0.55	0.63	0.63	0.71	0.50	0.58	0.66	0.66	0.76	
		PI	1.15	1.15	1.15	1.15	1.16	1.22	1.22	1.22	1.22	1.23	1.29	1.30	1.30	1.30	1.30	1.37	1.37	1.38	1.38	1.38	
	0°F 17.8°C	TC	25440	25474	25502	25503	25537	26973	27005	27032	27037	27069	28585	28622	28654	28659	28691	30307	30340	30373	30378	30416	
		S/T	0.42	0.49	0.56	0.56	0.64	0.44	0.52	0.59	0.59	0.68	0.47	0.55	0.63	0.63	0.72	0.50	0.59	0.67	0.67	0.76	
		PI	1.19	1.19	1.19	1.19	1.19	1.26	1.26	1.26	1.26	1.26	1.34	1.34	1.34	1.34	1.34	1.42	1.42	1.42	1.42	1.42	
	5°F 15°C	TC	26419	26454	26483	26484	26519	28011	28044	28072	28077	28110	29684	29723	29756	29761	29795	31473	31507	31541	31546	31585	
		S/T	0.42	0.50	0.56	0.56	0.64	0.45	0.52	0.60	0.60	0.68	0.47	0.56	0.63	0.63	0.72	0.50	0.59	0.67	0.67	0.76	
		PI	1.23	1.24	1.24	1.24	1.24	1.31	1.31	1.31	1.31	1.31	1.39	1.39	1.39	1.39	1.39	1.47	1.47	1.47	1.47	1.48	
	14°F 10°C	TC	26348	26383	26411	26413	26448	27935	27968	27996	28002	28035	29604	29643	29676	29681	29714	31388	31422	31456	31461	31500	
		S/T	0.42	0.50	0.56	0.56	0.64	0.45	0.53	0.60	0.60	0.68	0.47	0.56	0.63	0.63	0.72	0.50	0.59	0.67	0.67	0.77	
		PI	1.21	1.21	1.21	1.21	1.21	1.28	1.28	1.28	1.28	1.28	1.35	1.36	1.36	1.36	1.36	1.44	1.44	1.44	1.44	1.44	
	17°F 10°C	TC	26324	26359	26388	26389	26424	27910	27943	27971	27976	28010	29578	29616	29649	29655	29688	31360	31394	31428	31433	31472	
		S/T	0.42	0.50	0.57	0.57	0.64	0.45	0.53	0.60	0.60	0.68	0.48	0.56	0.64	0.64	0.72	0.50	0.59	0.67	0.67	0.77	
		PI	1.20	1.20	1.20	1.20	1.20	1.27	1.27	1.27	1.27	1.27	1.34	1.35	1.35	1.35	1.35	1.42	1.42	1.43	1.43	1.43	
23°F 5°C	TC	26054	26089	26117	26118	26153	27624	27657	27684	27689	27722	29274	29312	29345	29350	29383	31038	31072	31106	31110	31149		
	S/T	0.43	0.50	0.57	0.57	0.65	0.45	0.53	0.60	0.60	0.69	0.48	0.56	0.64	0.64	0.73	0.51	0.60	0.68	0.68	0.77		
	PI	1.23	1.24	1.24	1.24	1.24	1.31	1.31	1.31	1.31	1.31	1.39	1.39	1.39	1.39	1.39	1.47	1.47	1.47	1.47	1.47		
35°F 1.7°C	TC	25514	25548	25575	25577	25611	27051	27083	27110	27115	27147	28667	28705	28737	28742	28774	30395	30428	30461	30465	30503		
	S/T	0.43	0.50	0.57	0.57	0.65	0.45	0.53	0.61	0.61	0.69	0.48	0.56	0.64	0.64	0.73	0.51	0.60	0.68	0.68	0.78		
	PI	1.31	1.31	1.31	1.31	1.31	1.39	1.39	1.39	1.39	1.39	1.47	1.47	1.47	1.47	1.48	1.56	1.56	1.56	1.56	1.57		
41°F 5°C	TC	25310	25344	25371	25372	25406	26835	26867	26893	26899	26931	28438	28475	28507	28512	28544	30152	30184	30217	30222	30260		
	S/T	0.43	0.50	0.57	0.57	0.65	0.45	0.53	0.61	0.61	0.69	0.48	0.57	0.64	0.64	0.73	0.51	0.60	0.68	0.68	0.78		
	PI	1.35	1.35	1.35	1.35	1.35	1.43	1.43	1.43	1.43	1.44	1.52	1.52	1.52	1.52	1.52	1.61	1.61	1.61	1.61	1.61		
47°F 8.3°C	TC	25106	25140	25167	25168	25202	26619	26650	26677	26682	26714	28209	28246	28277	28282	28314	29909	29941	29974	29979	30016		
	S/T	0.43	0.51	0.57	0.57	0.65	0.46	0.54	0.61	0.61	0.69	0.48	0.57	0.64	0.64	0.74	0.51	0.60	0.68	0.68	0.78		
	PI	1.39	1.39	1.39	1.39	1.40	1.47	1.48	1.48	1.48	1.48	1.56	1.56	1.57	1.57	1.57	1.66	1.66	1.66	1.66	1.66		
50°F 10°C	TC	25369	25403	25431	25432	25466	26898	26930	26956	26962	26994	28505	28542	28574	28579	28611	30222	30255	30288	30293	30331		
	S/T	0.43	0.51	0.58	0.58	0.66	0.46	0.54	0.61	0.61	0.70	0.49	0.57	0.65	0.65	0.74	0.52	0.60	0.69	0.69	0.78		
	PI	1.41	1.41	1.41	1.41	1.41	1.49	1.49	1.50	1.50	1.50	1.58	1.58	1.59	1.59	1.59	1.68	1.68	1.68	1.68	1.68		
59°F 15°C	TC	26159	26194	26222	26224	26259	27736	27768	27796	27801	27834	29393	29431	29464	29469	29502	31164	31197	31231	31236	31275		
	S/T	0.43	0.51	0.58	0.58	0.66	0.46	0.54	0.61	0.61	0.70	0.49	0.57	0.65	0.65	0.74	0.52	0.61	0.69	0.69	0.79		
	PI	1.46	1.46	1.46	1.46	1.47	1.55	1.55	1.55	1.55	1.55	1.64	1.64	1.64	1.64	1.65	1.74	1.74	1.74	1.74	1.75		
68°F 20°C	TC	26949	26985	27014	27016	27052	28573	28607	28635	28641	28675	30280	30320	30353	30359	30393	32105	32140	32175	32180	32220		
	S/T	0.45	0.52	0.60	0.60	0.68	0.47	0.56	0.63	0.63	0.72	0.50	0.59	0.67	0.67	0.76	0.53	0.62	0.71	0.71	0.81		
	PI	1.51	1.51	1.52	1.52	1.52	1.60	1.61	1.61	1.61	1.61	1.70	1.70	1.70	1.70	1.71	1.80	1.80	1.81	1.81	1.81		
77°F 25°C	TC	27739	27776	27806	27807	27845	29411	29446	29475	29480	29515	31168	31208	31243	31249	31284	33046	33082	33118	33123	33164		
	S/T	0.45	0.53	0.60	0.60	0.69	0.48	0.56	0.64	0.64	0.73	0.51	0.60	0.68	0.68	0.77	0.54	0.63	0.72	0.72	0.82		
	PI	1.56	1.57	1.57	1.57	1.57	1.66	1.66	1.66	1.66	1.66	1.76	1.76	1.76	1.76	1.76	1.86	1.87	1.87	1.87	1.87		
82°F 27.8°C	TC	27773	27810	27840	27841	27879	29446	29481	29510	29516	29551	31205	31246	31281	31287	31322	33086	33122	33158	33163	33204		
	S/T	0.46	0.54	0.61	0.61	0.70	0.49	0.57	0.65	0.65	0.74	0.51	0.60	0.69	0.69	0.78	0.55	0.64	0.73	0.73	0.83		
	PI	1.70	1.70	1.70	1.70	1.71	1.80	1.80	1.81	1.81	1.81	1.91	1.91	1.91	1.91	1.92	2.03	2.03	2.03	2.03	2.03		
86°F 30°C	TC	27288	27325	27354	27355	27392	28932	28967	28995	29001	29035	30661	30701	30735	30741	30775	32508	32544	32579	32584	32625		
	S/T	0.46	0.54	0.62	0.62	0.70	0.49	0.58	0.66	0.66	0.75	0.52	0.61	0.69	0.69	0.79	0.55	0.65	0.74	0.74	0.84		
	PI	1.94	1.95	1.95	1.95	1.95	2.06	2.06	2.06	2.06	2.07	2.18	2.19	2.19	2.19	2.19	2.31	2.32	2.32	2.32	2.32		
95°F 35°C	TC	26198	26233	26261	26262	26298	27776	27809	27837	27842	27875	29436	29474	29507	29512	29545	31209	31243	31277	31282	31321		
	S/T	0.46	0.54	0.62	0.62	0.70	0.49	0.58	0.66	0.66	0.75	0.52	0.61	0.69	0.69	0.79	0.55	0.65	0.74	0.74	0.84		
	PI	2.49	2.49	2.49	2.49	2.50	2.64	2.64	2.64	2.64	2.65	2.80	2.80	2.80	2.80	2.81	2.96	2.97	2.97	2.97	2.97		
104°F 40°C	TC	24090	24122	24148	24149	24182	25541	25572	25597	25602	25632	27067	27103	27133	27138	27168	28698	28729	28761	28765	28801		
	S/T	0.48	0.56	0.63	0.63	0.72	0.50	0.59	0.67	0.67	0.77	0.53	0.63	0.71	0.71	0.81	0.57	0.66	0.75	0.75	0.86		
	PI	2.60	2.61	2.61	2.61	2.61	2.76	2.76	2.77	2.77	2.77	2.92	2.93	2.93	2.93	2.93	3.10	3.10	3.11	3.11	3.11		
110°F 43°C	TC	22825																					

Table 7 – 30K Cooling — D5CURA + D5FUAA (Continued)

Airflow CFM	Out-door DB °F °C	ID WB °F(°C)	60.8°F (16.0°C)					64.4°F (16.0°C)					67.0°F (19.4°C)					71.6°F (22.0°C)					
			ID DB °F/°C	73.4°F 23.0°C	77.0°F 25.0°C	80.0°F 26.7°C	80.6°F 27.0°C	84.2°F 29.0°C	73.4°F 23.0°C	77.0°F 25.0°C	80.0°F 26.7°C	80.6°F 27.0°C	84.2°F 29.0°C	73.4°F 23.0°C	77.0°F 25.0°C	80.0°F 26.7°C	80.6°F 27.0°C	84.2°F 29.0°C	73.4°F 23.0°C	77.0°F 25.0°C	80.0°F 26.7°C	80.6°F 27.0°C	84.2°F 29.0°C
			TC	S/T	PI	TC	S/T	PI	TC	S/T	PI	TC	S/T	PI	TC	S/T	PI	TC	S/T	PI	TC	S/T	PI
894	-22°F 30°C	TC	/	/	/	/	/	/	/	/	/	/	/	/	/	/	/	/	/	/	/	/	
		S/T	/	/	/	/	/	/	/	/	/	/	/	/	/	/	/	/	/	/	/	/	
		PI	/	/	/	/	/	/	/	/	/	/	/	/	/	/	/	/	/	/	/	/	
	-13°F 25°C	TC	24569	24602	24629	24630	24663	26050	26081	26106	26112	26143	27606	27642	27673	27678	27709	29269	29301	29333	29338	29374	
		S/T	0.45	0.52	0.60	0.60	0.68	0.47	0.56	0.63	0.63	0.72	0.50	0.59	0.67	0.67	0.76	0.53	0.62	0.71	0.71	0.81	
		PI	1.15	1.15	1.15	1.15	1.15	1.22	1.22	1.22	1.22	1.22	1.29	1.29	1.29	1.29	1.29	1.37	1.37	1.37	1.37	1.37	
	-4°F 20°C	TC	26459	26495	26523	26524	26560	28054	28087	28115	28120	28154	29730	29768	29801	29807	29840	31521	31555	31590	31594	31634	
		S/T	0.45	0.53	0.60	0.60	0.68	0.48	0.56	0.63	0.63	0.72	0.50	0.59	0.67	0.67	0.77	0.53	0.63	0.71	0.71	0.81	
		PI	1.24	1.24	1.24	1.24	1.24	1.31	1.31	1.31	1.31	1.32	1.39	1.39	1.39	1.39	1.39	1.47	1.47	1.48	1.48	1.48	
	0°F 17.8°C	TC	27299	27336	27365	27366	27403	28944	28978	29007	29013	29047	30673	30713	30748	30753	30788	32522	32557	32592	32597	32638	
		S/T	0.45	0.53	0.60	0.60	0.68	0.48	0.56	0.64	0.64	0.73	0.51	0.59	0.67	0.67	0.77	0.54	0.63	0.72	0.72	0.82	
		PI	1.28	1.28	1.28	1.28	1.28	1.35	1.35	1.36	1.36	1.36	1.43	1.44	1.44	1.44	1.44	1.52	1.52	1.52	1.52	1.53	
	5°F 15°C	TC	28349	28387	28418	28419	28457	30057	30093	30123	30129	30164	31853	31895	31930	31936	31972	33772	33809	33846	33851	33893	
		S/T	0.45	0.53	0.60	0.60	0.69	0.48	0.56	0.64	0.64	0.73	0.51	0.60	0.68	0.68	0.77	0.54	0.63	0.72	0.72	0.82	
		PI	1.32	1.33	1.33	1.33	1.33	1.40	1.41	1.41	1.41	1.41	1.49	1.49	1.49	1.49	1.49	1.58	1.58	1.58	1.58	1.58	
	14°F 10°C	TC	28273	28311	28341	28343	28381	29977	30012	30042	30048	30083	31768	31809	31844	31850	31886	33682	33718	33755	33760	33802	
		S/T	0.45	0.53	0.60	0.60	0.69	0.48	0.56	0.64	0.64	0.73	0.51	0.60	0.68	0.68	0.77	0.54	0.63	0.72	0.72	0.82	
		PI	1.29	1.30	1.30	1.30	1.30	1.37	1.37	1.37	1.37	1.38	1.45	1.46	1.46	1.46	1.46	1.54	1.54	1.54	1.54	1.55	
	17°F 10°C	TC	28247	28285	28316	28317	28355	29950	29985	30015	30021	30056	31739	31780	31816	31822	31857	33651	33688	33725	33730	33772	
		S/T	0.45	0.53	0.61	0.61	0.69	0.48	0.57	0.64	0.64	0.73	0.51	0.60	0.68	0.68	0.78	0.54	0.64	0.72	0.72	0.82	
		PI	1.28	1.29	1.29	1.29	1.29	1.36	1.36	1.36	1.36	1.37	1.44	1.44	1.45	1.45	1.45	1.53	1.53	1.53	1.53	1.53	
	23°F 5°C	TC	27958	27995	28025	28027	28064	29642	29678	29707	29713	29748	31413	31454	31489	31495	31530	33306	33342	33379	33384	33425	
		S/T	0.46	0.54	0.61	0.61	0.70	0.48	0.57	0.65	0.65	0.74	0.51	0.60	0.69	0.69	0.78	0.54	0.64	0.73	0.73	0.83	
		PI	1.32	1.33	1.33	1.33	1.33	1.40	1.41	1.41	1.41	1.41	1.49	1.49	1.49	1.49	1.49	1.58	1.58	1.58	1.58	1.58	
35°F 1.7°C	TC	27378	27415	27444	27445	27482	29028	29062	29091	29097	29131	30762	30802	30836	30842	30876	32616	32651	32687	32692	32732		
	S/T	0.46	0.54	0.61	0.61	0.70	0.49	0.57	0.65	0.65	0.74	0.52	0.61	0.69	0.69	0.78	0.55	0.64	0.73	0.73	0.83		
	PI	1.40	1.41	1.41	1.41	1.41	1.49	1.49	1.49	1.49	1.49	1.58	1.58	1.58	1.58	1.58	1.67	1.68	1.68	1.68	1.68		
41°F 5°C	TC	27159	27196	27225	27226	27263	28796	28830	28858	28864	28898	30516	30556	30590	30596	30630	32355	32390	32425	32430	32471		
	S/T	0.46	0.54	0.61	0.61	0.70	0.49	0.57	0.65	0.65	0.74	0.52	0.61	0.69	0.69	0.79	0.55	0.64	0.73	0.73	0.83		
	PI	1.45	1.45	1.45	1.45	1.45	1.54	1.54	1.54	1.54	1.54	1.63	1.63	1.63	1.63	1.63	1.73	1.73	1.73	1.73	1.73		
47°F 8.3°C	TC	26940	26977	27006	27007	27043	28564	28598	28626	28632	28666	30270	30310	30343	30349	30383	32094	32129	32164	32169	32209		
	S/T	0.46	0.54	0.62	0.62	0.70	0.49	0.57	0.65	0.65	0.74	0.52	0.61	0.69	0.69	0.79	0.55	0.65	0.73	0.73	0.84		
	PI	1.49	1.49	1.50	1.50	1.50	1.58	1.58	1.59	1.59	1.59	1.68	1.68	1.68	1.68	1.68	1.78	1.78	1.78	1.78	1.78		
50°F 10°C	TC	27223	27259	27289	27290	27327	28863	28898	28926	28932	28966	30588	30628	30662	30667	30702	32431	32466	32501	32506	32547		
	S/T	0.46	0.54	0.62	0.62	0.71	0.49	0.58	0.66	0.66	0.75	0.52	0.61	0.70	0.70	0.79	0.55	0.65	0.74	0.74	0.84		
	PI	1.51	1.51	1.51	1.51	1.52	1.60	1.60	1.60	1.61	1.61	1.70	1.70	1.70	1.70	1.70	1.80	1.80	1.80	1.80	1.81		
59°F 15°C	TC	28071	28108	28139	28140	28178	29762	29797	29827	29833	29868	31540	31581	31617	31622	31658	33441	33477	33513	33519	33560		
	S/T	0.47	0.55	0.62	0.62	0.71	0.49	0.58	0.66	0.66	0.75	0.52	0.62	0.70	0.70	0.80	0.56	0.65	0.74	0.74	0.84		
	PI	1.57	1.57	1.57	1.57	1.57	1.66	1.66	1.66	1.66	1.67	1.76	1.76	1.76	1.76	1.77	1.87	1.87	1.87	1.87	1.87		
68°F 20°C	TC	28918	28957	28988	28990	29029	30661	30697	30728	30734	30770	32493	32535	32571	32577	32614	34451	34488	34526	34531	34574		
	S/T	0.48	0.56	0.64	0.64	0.73	0.51	0.60	0.68	0.68	0.77	0.54	0.63	0.72	0.72	0.82	0.57	0.67	0.76	0.76	0.87		
	PI	1.62	1.62	1.63	1.63	1.63	1.72	1.72	1.72	1.72	1.73	1.82	1.83	1.83	1.83	1.83	1.93	1.94	1.94	1.94	1.94		
77°F 25°C	TC	29766	29806	29838	29839	29880	31560	31597	31628	31635	31672	33445	33489	33526	33532	33570	35460	35499	35538	35543	35587		
	S/T	0.49	0.57	0.65	0.65	0.74	0.51	0.60	0.69	0.69	0.78	0.55	0.64	0.73	0.73	0.83	0.58	0.68	0.77	0.77	0.88		
	PI	1.68	1.68	1.68	1.68	1.69	1.78	1.78	1.78	1.78	1.79	1.89	1.89	1.89	1.89	1.89	2.00	2.00	2.00	2.00	2.01		
82°F 27.8°C	TC	29802	29842	29874	29875	29916	31598	31635	31667	31673	31710	33486	33529	33567	33573	33610	35503	35542	35581	35586	35630		
	S/T	0.49	0.58	0.66	0.66	0.75	0.52	0.61	0.69	0.69	0.79	0.55	0.65	0.74	0.74	0.84	0.59	0.69	0.78	0.78	0.89		
	PI	1.82	1.83	1.83	1.83	1.83	1.93	1.94	1.94	1.94	1.94	2.05	2.05	2.05	2.05	2.06	2.17	2.18	2.18	2.18	2.18		
86°F 30°C	TC	29282	29321	29353	29354	29394	31047	31083	31114	31120	31157	32901	32944	32981	32987	33024	34884	34922	34960	34965	35009		
	S/T	0.50	0.58	0.66	0.66	0.76	0.53	0.62	0.70	0.70	0.80	0.56	0.66	0.75	0.75	0.85	0.59	0.70	0.79	0.79	0.90		
	PI	2.08	2.09	2.09	2.09	2.09	2.21	2.21	2.21	2.22	2.22	2.34	2.35	2.35	2.35	2.35	2.48	2.49	2.49	2.49	2.49		
95°F 35°C	TC	28112	28150	28180	28181	28219	29806	29841	29871	29877	29912	31587	31628	31663	31669	31704	33490	33526	33563	33568	33610		
	S/T	0.50	0.58	0.66	0.66	0.76	0.53	0.62	0.70	0.70	0.80	0.56	0.66	0.75	0.75	0.85	0.59	0.70	0.79	0.79	0.90		
	PI	2.67	2.67	2.68	2.68	2.68	2.83	2.83	2.84	2.84	2.84	3.00	3.00	3.01	3.01	3.01	3.18	3.18	3.19	3.19	3.19		
104°F 40°C	TC	25850	25885	25913	25914	25949	27408	27440	27467	27473	27505	29045	29083	29115	29121	29153	30795	30829	30862	30867	30906		
	S/T	0.51	0.60	0.68	0.68	0.78	0.54	0.63	0.72	0.72	0.82	0.57	0.67	0.76	0.76	0.87	0.61	0.71	0.81	0.81	0.92		
	PI	2.79	2.80	2.80	2.80	2.80	2.96	2.96															

Table 7 – 30K Cooling — D5CURA + D5FUAA (Continued)

Airflow CFM	Out-door DB °F °C	ID WB °F(°C)	60.8°F (16.0°C)					64.4°F (16.0°C)					67.0°F (19.4°C)					71.6°F (22.0°C)					
			ID DB °F/°C	73.4°F 23.0°C	77.0°F 25.0°C	80.0°F 26.7°C	80.6°F 27.0°C	84.2°F 29.0°C	73.4°F 23.0°C	77.0°F 25.0°C	80.0°F 26.7°C	80.6°F 27.0°C	84.2°F 29.0°C	73.4°F 23.0°C	77.0°F 25.0°C	80.0°F 26.7°C	80.6°F 27.0°C	84.2°F 29.0°C	73.4°F 23.0°C	77.0°F 25.0°C	80.0°F 26.7°C	80.6°F 27.0°C	84.2°F 29.0°C
			TC	/	/	/	/	/	/	/	/	/	/	/	/	/	/	/	/	/	/	/	/
S/T	/	/	/	/	/	/	/	/	/	/	/	/	/	/	/	/	/	/	/	/	/	/	/
PI	/	/	/	/	/	/	/	/	/	/	/	/	/	/	/	/	/	/	/	/	/	/	/
-22°F 30°C	TC	/	/	/	/	/	/	/	/	/	/	/	/	/	/	/	/	/	/	/	/	/	/
	S/T	/	/	/	/	/	/	/	/	/	/	/	/	/	/	/	/	/	/	/	/	/	/
	PI	/	/	/	/	/	/	/	/	/	/	/	/	/	/	/	/	/	/	/	/	/	/
-13°F 25°C	TC	26364	26400	26428	26430	26465	27953	27986	28014	28020	28053	29623	29662	29695	29700	29734	31408	31442	31477	31481	31521		
	S/T	0.48	0.56	0.64	0.64	0.73	0.51	0.60	0.68	0.68	0.77	0.54	0.63	0.72	0.72	0.82	0.57	0.67	0.76	0.76	0.87		
	PI	1.23	1.23	1.23	1.23	1.24	1.31	1.31	1.31	1.31	1.31	1.38	1.39	1.39	1.39	1.39	1.47	1.47	1.47	1.47	1.47		
-4°F 20°C	TC	28392	28431	28461	28463	28501	30104	30139	30169	30175	30211	31902	31943	31979	31985	32021	33824	33861	33898	33903	33945		
	S/T	0.48	0.57	0.64	0.64	0.73	0.51	0.60	0.68	0.68	0.78	0.54	0.64	0.72	0.72	0.82	0.57	0.67	0.77	0.77	0.87		
	PI	1.33	1.33	1.33	1.33	1.33	1.41	1.41	1.41	1.41	1.41	1.49	1.49	1.49	1.49	1.50	1.58	1.58	1.58	1.58	1.59		
0°F 17.8°C	TC	29294	29333	29365	29366	29406	31059	31096	31127	31133	31170	32915	32958	32994	33000	33037	34898	34936	34974	34979	35023		
	S/T	0.48	0.57	0.64	0.64	0.73	0.51	0.60	0.68	0.68	0.78	0.54	0.64	0.72	0.72	0.83	0.58	0.68	0.77	0.77	0.88		
	PI	1.37	1.37	1.37	1.37	1.37	1.45	1.45	1.45	1.45	1.46	1.54	1.54	1.54	1.54	1.54	1.63	1.63	1.63	1.63	1.64		
5°F 15°C	TC	30420	30461	30494	30496	30537	32254	32292	32324	32330	32369	34181	34225	34263	34270	34308	36240	36280	36319	36325	36370		
	S/T	0.49	0.57	0.65	0.65	0.74	0.51	0.60	0.69	0.69	0.78	0.55	0.64	0.73	0.73	0.83	0.58	0.68	0.77	0.77	0.88		
	PI	1.42	1.42	1.42	1.42	1.43	1.51	1.51	1.51	1.51	1.51	1.60	1.60	1.60	1.60	1.60	1.69	1.70	1.70	1.70	1.70		
14°F 10°C	TC	30339	30380	30412	30414	30455	32167	32205	32237	32243	32282	34089	34133	34171	34178	34216	36143	36182	36221	36227	36272		
	S/T	0.49	0.57	0.65	0.65	0.74	0.52	0.61	0.69	0.69	0.78	0.55	0.64	0.73	0.73	0.83	0.58	0.68	0.77	0.77	0.88		
	PI	1.39	1.39	1.39	1.39	1.39	1.47	1.47	1.48	1.48	1.48	1.56	1.56	1.56	1.56	1.57	1.65	1.66	1.66	1.66	1.66		
17°F 10°C	TC	30311	30352	30385	30386	30427	32138	32176	32208	32214	32253	34058	34102	34140	34147	34185	36110	36150	36189	36195	36240		
	S/T	0.49	0.57	0.65	0.65	0.74	0.52	0.61	0.69	0.69	0.79	0.55	0.64	0.73	0.73	0.83	0.58	0.68	0.78	0.78	0.88		
	PI	1.38	1.38	1.38	1.38	1.38	1.46	1.46	1.46	1.46	1.47	1.55	1.55	1.55	1.55	1.55	1.64	1.64	1.64	1.64	1.65		
23°F 5°C	TC	30000	30041	30073	30074	30115	31808	31846	31878	31884	31922	33709	33753	33790	33796	33834	35740	35779	35818	35823	35868		
	S/T	0.49	0.58	0.65	0.65	0.75	0.52	0.61	0.69	0.69	0.79	0.55	0.65	0.74	0.74	0.84	0.58	0.69	0.78	0.78	0.89		
	PI	1.42	1.42	1.42	1.42	1.43	1.51	1.51	1.51	1.51	1.51	1.60	1.60	1.60	1.60	1.60	1.69	1.69	1.70	1.70	1.70		
35°F 1.7°C	TC	29378	29418	29450	29451	29491	31149	31186	31217	31223	31260	33010	33053	33090	33096	33133	34999	35037	35075	35080	35124		
	S/T	0.49	0.58	0.66	0.66	0.75	0.52	0.61	0.70	0.70	0.79	0.55	0.65	0.74	0.74	0.84	0.59	0.69	0.78	0.78	0.89		
	PI	1.51	1.51	1.51	1.51	1.51	1.60	1.60	1.60	1.60	1.60	1.69	1.70	1.70	1.70	1.70	1.80	1.80	1.80	1.80	1.80		
41°F 5°C	TC	29144	29183	29214	29216	29255	30900	30937	30967	30973	31010	32746	32789	32825	32831	32868	34719	34757	34795	34800	34843		
	S/T	0.49	0.58	0.66	0.66	0.75	0.52	0.61	0.70	0.70	0.80	0.56	0.65	0.74	0.74	0.84	0.59	0.69	0.78	0.78	0.89		
	PI	1.55	1.56	1.56	1.56	1.56	1.65	1.65	1.65	1.65	1.65	1.75	1.75	1.75	1.75	1.75	1.85	1.85	1.86	1.86	1.86		
47°F 8.3°C	TC	28909	28948	28979	28980	29019	30651	30687	30718	30724	30760	32482	32524	32561	32567	32603	34439	34477	34514	34520	34563		
	S/T	0.50	0.58	0.66	0.66	0.75	0.53	0.62	0.70	0.70	0.80	0.56	0.65	0.74	0.74	0.85	0.59	0.69	0.79	0.79	0.90		
	PI	1.60	1.60	1.60	1.60	1.61	1.70	1.70	1.70	1.70	1.70	1.80	1.80	1.80	1.80	1.81	1.91	1.91	1.91	1.91	1.91		
50°F 10°C	TC	29212	29251	29283	29284	29324	30973	31009	31040	31046	31083	32823	32866	32902	32908	32945	34801	34838	34876	34882	34925		
	S/T	0.50	0.58	0.66	0.66	0.76	0.53	0.62	0.70	0.70	0.80	0.56	0.66	0.75	0.75	0.85	0.59	0.70	0.79	0.79	0.90		
	PI	1.62	1.62	1.62	1.62	1.63	1.72	1.72	1.72	1.72	1.72	1.82	1.82	1.83	1.83	1.83	1.93	1.93	1.94	1.94	1.94		
59°F 15°C	TC	30122	30162	30195	30196	30237	31937	31975	32006	32013	32051	33845	33889	33927	33933	33971	35884	35923	35962	35968	36013		
	S/T	0.50	0.59	0.67	0.67	0.76	0.53	0.62	0.71	0.71	0.81	0.56	0.66	0.75	0.75	0.86	0.60	0.70	0.80	0.80	0.91		
	PI	1.68	1.68	1.69	1.69	1.69	1.78	1.78	1.79	1.79	1.79	1.89	1.89	1.89	1.89	1.90	2.00	2.00	2.01	2.01	2.01		
68°F 20°C	TC	31031	31073	31107	31108	31150	32901	32940	32973	32979	33019	34867	34912	34951	34958	34997	36968	37008	37048	37054	37100		
	S/T	0.51	0.60	0.69	0.69	0.78	0.54	0.64	0.73	0.73	0.83	0.58	0.68	0.77	0.77	0.88	0.61	0.72	0.82	0.82	0.93		
	PI	1.74	1.74	1.75	1.75	1.75	1.85	1.85	1.85	1.85	1.85	1.96	1.96	1.96	1.96	1.96	2.07	2.08	2.08	2.08	2.08		
77°F 25°C	TC	31941	31984	32018	32020	32063	33866	33906	33939	33946	33986	35889	35936	35976	35982	36023	38052	38093	38134	38140	38188		
	S/T	0.52	0.61	0.69	0.69	0.79	0.55	0.65	0.74	0.74	0.84	0.59	0.69	0.78	0.78	0.89	0.62	0.73	0.83	0.83	0.94		
	PI	1.80	1.80	1.81	1.81	1.81	1.91	1.91	1.91	1.91	1.92	2.02	2.03	2.03	2.03	2.03	2.15	2.15	2.15	2.15	2.15		
82°F 27.8°C	TC	31980	32023	32057	32059	32102	33907	33947	33980	33987	34028	35933	35979	36019	36026	36066	38098	38139	38180	38186	38234		
	S/T	0.53	0.62	0.70	0.70	0.80	0.56	0.66	0.75	0.75	0.85	0.59	0.70	0.79	0.79	0.90	0.63	0.74	0.84	0.84	0.95		
	PI	1.96	1.96	1.96	1.96	1.96	2.08	2.08	2.08	2.08	2.08	2.20	2.20	2.20	2.20	2.21	2.33	2.33	2.34	2.34	2.34		
86°F 30°C	TC	31422	31464	31498	31499	31542	33315	33355	33388	33394	33434	35306	35351	35391	35397	35437	37433	37473	37514	37520	37567		
	S/T	0.53	0.63	0.71	0.71	0.81	0.57	0.66	0.75	0.75	0.86	0.60	0.70	0.80	0.80	0.91	0.64	0.75	0.85	0.85	0.97		
	PI	2.24	2.24	2.24	2.24	2.25	2.37	2.37	2.38	2.38	2.38	2.51	2.52	2.52	2.52	2.52	2.66	2.67	2.67	2.67	2.67		
95°F 35°C	TC	30166	30207	30239	30240	30281	31984	32022	32053	32060	32098	33895	33939	33977	33983	34021	35937	35976	36015	36021	36066		
	S/T	0.53	0.63	0.71	0.71	0.81	0.57	0.66	0.75	0.75	0.86	0.60	0.70	0.80	0.80	0.91	0.64	0.75	0.85	0.85	0.97		
	PI	2.87	2.87	2.87	2.87	2.88	3.04	3.04	3.04	3.04	3.05	3.22	3.22	3.23	3.23	3.23	3.41	3.42	3.42	3.42	3.43		

Table 8 – 36K Cooling — D5CURA + D5FUAA

Airflow CFM	Out-door DB °F °C	ID WB °F(°C)	60.8°F (16.0°C)					64.4°F (16.0°C)					67.0°F (19.4°C)					71.6°F (22.0°C)				
			ID DB °F/°C					ID DB °F/°C					ID DB °F/°C					ID DB °F/°C				
			73.4°F 23.0°C	77.0°F 25.0°C	80.0°F 26.7°C	80.6°F 27.0°C	84.2°F 29.0°C	73.4°F 23.0°C	77.0°F 25.0°C	80.0°F 26.7°C	80.6°F 27.0°C	84.2°F 29.0°C	73.4°F 23.0°C	77.0°F 25.0°C	80.0°F 26.7°C	80.6°F 27.0°C	84.2°F 29.0°C	73.4°F 23.0°C	77.0°F 25.0°C	80.0°F 26.7°C	80.6°F 27.0°C	84.2°F 29.0°C
865	-22°F 30°C	TC	/	/	/	/	/	/	/	/	/	/	/	/	/	/	/	/	/	/	/	
		S/T	/	/	/	/	/	/	/	/	/	/	/	/	/	/	/	/	/	/	/	
		PI	/	/	/	/	/	/	/	/	/	/	/	/	/	/	/	/	/	/	/	
	-13°F 25°C	TC	26364	26399	26428	26429	26465	27953	27986	28013	28019	28052	29623	29661	29694	29700	29733	31408	31442	31476	31481	31520
		S/T	0.40	0.47	0.53	0.53	0.60	0.42	0.49	0.56	0.56	0.64	0.45	0.52	0.59	0.59	0.68	0.47	0.55	0.63	0.63	0.72
		PI	1.75	1.76	1.76	1.76	1.76	1.86	1.86	1.86	1.86	1.87	1.97	1.97	1.97	1.97	1.98	2.09	2.09	2.09	2.09	2.10
	-4°F 20°C	TC	28392	28430	28461	28462	28500	30103	30139	30168	30174	30210	31901	31943	31978	31984	32020	33823	33860	33897	33902	33945
		S/T	0.40	0.47	0.53	0.53	0.61	0.42	0.50	0.56	0.56	0.64	0.45	0.53	0.60	0.60	0.68	0.47	0.56	0.63	0.63	0.72
		PI	1.89	1.89	1.89	1.89	1.90	2.00	2.00	2.01	2.01	2.01	2.12	2.12	2.13	2.13	2.13	2.25	2.25	2.25	2.25	2.26
	0°F 17.8°C	TC	29293	29333	29364	29365	29405	31059	31095	31126	31132	31169	32914	32957	32994	33000	33037	34897	34935	34973	34979	35022
		S/T	0.40	0.47	0.53	0.53	0.61	0.42	0.50	0.57	0.57	0.64	0.45	0.53	0.60	0.60	0.68	0.48	0.56	0.63	0.64	0.72
		PI	1.95	1.95	1.95	1.95	1.96	2.07	2.07	2.07	2.07	2.07	2.19	2.19	2.19	2.19	2.20	2.32	2.32	2.33	2.33	2.33
	5°F 15°C	TC	30420	30461	30494	30495	30536	32253	32291	32323	32330	32368	34180	34224	34263	34269	34307	36239	36279	36318	36324	36369
		S/T	0.40	0.47	0.54	0.54	0.61	0.43	0.50	0.57	0.57	0.65	0.45	0.53	0.60	0.60	0.69	0.48	0.56	0.64	0.64	0.73
		PI	2.02	2.03	2.03	2.03	2.03	2.14	2.15	2.15	2.15	2.15	2.27	2.28	2.28	2.28	2.28	2.41	2.41	2.41	2.42	2.42
	14°F 10°C	TC	31540	31582	31616	31618	31660	33441	33480	33513	33520	33560	35439	35485	35524	35531	35570	37574	37615	37656	37662	37708
		S/T	0.40	0.47	0.54	0.54	0.61	0.43	0.50	0.57	0.57	0.65	0.45	0.53	0.60	0.60	0.69	0.48	0.56	0.64	0.64	0.73
		PI	1.95	1.95	1.96	1.96	1.96	2.07	2.07	2.07	2.07	2.08	2.19	2.20	2.20	2.20	2.20	2.33	2.33	2.33	2.33	2.33
	17°F 10°C	TC	31913	31956	31991	31992	32035	33837	33877	33910	33917	33957	35858	35905	35945	35951	35992	38019	38060	38101	38107	38155
		S/T	0.40	0.47	0.54	0.54	0.61	0.43	0.50	0.57	0.57	0.65	0.45	0.53	0.61	0.61	0.69	0.48	0.56	0.64	0.64	0.73
		PI	1.93	1.93	1.93	1.93	1.94	2.04	2.05	2.05	2.05	2.05	2.17	2.17	2.17	2.17	2.18	2.30	2.30	2.30	2.30	2.31
	23°F 5°C	TC	31858	31901	31935	31937	31980	33778	33818	33852	33858	33898	35796	35843	35883	35889	35929	37953	37994	38036	38042	38089
		S/T	0.41	0.48	0.54	0.54	0.62	0.43	0.50	0.57	0.57	0.65	0.46	0.54	0.61	0.61	0.69	0.48	0.57	0.64	0.64	0.73
		PI	1.90	1.91	1.91	1.91	1.91	2.02	2.02	2.02	2.02	2.03	2.14	2.14	2.14	2.14	2.15	2.27	2.27	2.27	2.27	2.28
35°F 1.7°C	TC	31748	31791	31825	31826	31869	33661	33701	33734	33741	33781	35672	35719	35758	35765	35805	37822	37863	37904	37910	37957	
	S/T	0.41	0.48	0.54	0.54	0.62	0.43	0.51	0.58	0.58	0.66	0.46	0.54	0.61	0.61	0.70	0.49	0.57	0.65	0.65	0.74	
	PI	1.85	1.86	1.86	1.86	1.86	1.97	1.97	1.97	1.97	1.97	2.08	2.09	2.09	2.09	2.09	2.21	2.21	2.21	2.21	2.22	
41°F 5°C	TC	27532	27569	27598	27600	27637	29191	29225	29254	29260	29295	30935	30975	31010	31015	31050	32799	32834	32870	32875	32916	
	S/T	0.41	0.48	0.55	0.55	0.62	0.43	0.51	0.58	0.58	0.66	0.46	0.54	0.61	0.61	0.70	0.49	0.57	0.65	0.65	0.74	
	PI	1.43	1.43	1.43	1.43	1.44	1.52	1.52	1.52	1.52	1.52	1.61	1.61	1.61	1.61	1.61	1.70	1.71	1.71	1.71	1.71	
47°F 8.3°C	TC	23315	23347	23372	23373	23405	24721	24750	24774	24779	24809	26197	26231	26261	26266	26295	27776	27806	27836	27841	27875	
	S/T	0.41	0.48	0.55	0.55	0.62	0.43	0.51	0.58	0.58	0.66	0.46	0.54	0.61	0.61	0.70	0.49	0.57	0.65	0.65	0.74	
	PI	1.01	1.01	1.01	1.01	1.01	1.07	1.07	1.07	1.07	1.07	1.13	1.13	1.13	1.13	1.13	1.20	1.20	1.20	1.20	1.20	
50°F 10°C	TC	23579	23610	23636	23637	23669	25000	25029	25054	25059	25089	26493	26527	26557	26562	26592	28089	28120	28150	28155	28190	
	S/T	0.41	0.48	0.55	0.55	0.63	0.44	0.51	0.58	0.58	0.66	0.46	0.54	0.62	0.62	0.70	0.49	0.58	0.65	0.65	0.75	
	PI	1.06	1.06	1.06	1.06	1.06	1.12	1.12	1.12	1.12	1.12	1.19	1.19	1.19	1.19	1.19	1.26	1.26	1.26	1.26	1.26	
59°F 15°C	TC	24368	24401	24427	24428	24461	25836	25867	25893	25898	25928	27380	27416	27446	27451	27482	29030	29061	29093	29097	29134	
	S/T	0.41	0.49	0.55	0.55	0.63	0.44	0.52	0.59	0.59	0.67	0.47	0.55	0.62	0.62	0.71	0.49	0.58	0.66	0.66	0.75	
	PI	1.20	1.20	1.21	1.21	1.21	1.27	1.28	1.28	1.28	1.28	1.35	1.35	1.35	1.35	1.36	1.43	1.43	1.44	1.44	1.44	
68°F 20°C	TC	25157	25191	25218	25219	25253	26673	26705	26731	26737	26768	28267	28304	28335	28340	28372	29970	30003	30035	30040	30077	
	S/T	0.43	0.50	0.57	0.57	0.65	0.45	0.53	0.60	0.60	0.69	0.48	0.56	0.64	0.64	0.73	0.51	0.59	0.68	0.68	0.77	
	PI	1.35	1.35	1.35	1.35	1.35	1.43	1.43	1.43	1.43	1.44	1.52	1.52	1.52	1.52	1.52	1.61	1.61	1.61	1.61	1.61	
77°F 25°C	TC	25946	25981	26009	26011	26046	27510	27543	27570	27575	27608	29154	29192	29224	29230	29262	30910	30944	30978	30982	31021	
	S/T	0.43	0.51	0.57	0.57	0.65	0.46	0.54	0.61	0.61	0.69	0.48	0.57	0.65	0.65	0.74	0.51	0.60	0.68	0.68	0.78	
	PI	1.50	1.50	1.50	1.50	1.50	1.59	1.59	1.59	1.59	1.59	1.68	1.68	1.69	1.69	1.69	1.78	1.79	1.79	1.79	1.79	
82°F 27.8°C	TC	26521	26556	26585	26586	26622	28119	28152	28180	28186	28219	29799	29838	29871	29876	29910	31594	31629	31663	31668	31708	
	S/T	0.44	0.51	0.58	0.58	0.66	0.46	0.54	0.62	0.62	0.70	0.49	0.58	0.65	0.65	0.75	0.52	0.61	0.69	0.69	0.79	
	PI	1.75	1.75	1.75	1.75	1.75	1.85	1.85	1.85	1.85	1.86	1.96	1.96	1.97	1.97	1.97	2.08	2.08	2.08	2.08	2.09	
86°F 30°C	TC	27151	27188	27217	27218	27255	28788	28822	28850	28856	28890	30508	30547	30581	30587	30621	32346	32381	32416	32421	32462	
	S/T	0.44	0.52	0.59	0.59	0.67	0.47	0.55	0.62	0.62	0.71	0.50	0.58	0.66	0.66	0.75	0.53	0.62	0.70	0.70	0.80	
	PI	2.15	2.16	2.16	2.16	2.16	2.28	2.29	2.29	2.29	2.29	2.42	2.42	2.43	2.43	2.43	2.57	2.57	2.57	2.57	2.58	
95°F 35°C	TC	28570	28609	28640	28641	28680	30292	30328	30358	30364	30400	32102	32144	32180	32186	32221	34036	34073	34110	34116	34158	
	S/T	0.44	0.52	0.59	0.59	0.67	0.47	0.55	0.62	0.62	0.71	0.50	0.58	0.66	0.66	0.75	0.53	0.62	0.70	0.70	0.80	
	PI	3.08	3.08	3.08	3.08	3.09	3.26	3.27	3.27	3.27	3.27	3.46	3.46	3.46	3.47	3.47	3.66	3.67	3.67	3.67	3.68	
104°F 40°C	TC	25418	25452	25479	25480	25515	26949	26981	27008	27013	27045	28559	28597	28628	28634	28666	30280	30313	30346	30351	30389	
	S/T	0.45	0.53	0.60	0.60	0.69	0.48	0.56	0.64	0.64	0.73	0.51	0.60	0.68	0.68	0.77	0.54	0.63	0.72	0.72	0.82	
	PI	2.99	2.99	3.00	3.00	3.00	3.17	3.17	3.18	3.18	3.18	3.36	3.36	3.37	3.37	3.37	3.56	3.57	3.57	3.57	3.57	
110°F 43°C	TC	23526	23558	23583	23584	23616	24944	24973	24998	25003	25033	26434	26468	26								

Table 8 – 36K Cooling — D5CURA + D5FUAA (Continued)

Airflow CFM	Out-door DB °F °C	ID WB °F(°C)	60.8°F (16.0°C)					64.4°F (16.0°C)					67.0°F (19.4°C)					71.6°F (22.0°C)					
			ID DB °F/°C	73.4°F 23.0°C	77.0°F 25.0°C	80.0°F 26.7°C	80.6°F 27.0°C	84.2°F 29.0°C	73.4°F 23.0°C	77.0°F 25.0°C	80.0°F 26.7°C	80.6°F 27.0°C	84.2°F 29.0°C	73.4°F 23.0°C	77.0°F 25.0°C	80.0°F 26.7°C	80.6°F 27.0°C	84.2°F 29.0°C	73.4°F 23.0°C	77.0°F 25.0°C	80.0°F 26.7°C	80.6°F 27.0°C	84.2°F 29.0°C
			TC	/	/	/	/	/	/	/	/	/	/	/	/	/	/	/	/	/	/	/	/
S/T	/	/	/	/	/	/	/	/	/	/	/	/	/	/	/	/	/	/	/	/	/	/	/
PI	/	/	/	/	/	/	/	/	/	/	/	/	/	/	/	/	/	/	/	/	/	/	/
-22°F 30°C	TC	/	/	/	/	/	/	/	/	/	/	/	/	/	/	/	/	/	/	/	/	/	/
	S/T	/	/	/	/	/	/	/	/	/	/	/	/	/	/	/	/	/	/	/	/	/	/
	PI	/	/	/	/	/	/	/	/	/	/	/	/	/	/	/	/	/	/	/	/	/	/
-13°F 25°C	TC	28084	28122	28153	28154	28192	29777	29812	29842	29848	29883	31556	31597	31632	31638	31673	33457	33494	33530	33535	33577		
	S/T	0.42	0.50	0.56	0.56	0.64	0.45	0.53	0.60	0.60	0.68	0.47	0.56	0.63	0.63	0.72	0.50	0.59	0.67	0.67	0.76		
	PI	1.87	1.87	1.87	1.87	1.87	1.98	1.98	1.98	1.98	1.99	2.10	2.10	2.10	2.10	2.11	2.22	2.23	2.23	2.23	2.23	2.23	2.23
-4°F 20°C	TC	30245	30285	30318	30319	30360	32068	32105	32137	32144	32182	33983	34028	34065	34072	34110	36031	36070	36109	36115	36160		
	S/T	0.42	0.50	0.57	0.57	0.65	0.45	0.53	0.60	0.60	0.68	0.48	0.56	0.64	0.64	0.73	0.51	0.59	0.67	0.67	0.77		
	PI	2.01	2.01	2.02	2.02	2.02	2.13	2.13	2.14	2.14	2.14	2.26	2.26	2.27	2.27	2.27	2.40	2.40	2.40	2.40	2.40	2.40	2.40
0°F 17.8°C	TC	31205	31247	31281	31282	31324	33086	33125	33157	33164	33203	35062	35108	35147	35153	35193	37175	37215	37256	37261	37308		
	S/T	0.43	0.50	0.57	0.57	0.65	0.45	0.53	0.60	0.60	0.69	0.48	0.56	0.64	0.64	0.73	0.51	0.60	0.68	0.68	0.77		
	PI	2.07	2.08	2.08	2.08	2.08	2.20	2.20	2.20	2.21	2.21	2.33	2.33	2.34	2.34	2.34	2.47	2.47	2.48	2.48	2.48	2.48	2.48
5°F 15°C	TC	32405	32449	32484	32485	32529	34358	34399	34433	34440	34480	36411	36458	36499	36505	36546	38605	38647	38689	38695	38743		
	S/T	0.43	0.50	0.57	0.57	0.65	0.45	0.53	0.61	0.61	0.69	0.48	0.56	0.64	0.64	0.73	0.51	0.60	0.68	0.68	0.77		
	PI	2.15	2.16	2.16	2.16	2.16	2.28	2.29	2.29	2.29	2.29	2.42	2.42	2.43	2.43	2.43	2.57	2.57	2.57	2.57	2.57	2.58	2.58
14°F 10°C	TC	33598	33644	33680	33681	33727	35623	35665	35701	35708	35750	37752	37801	37843	37850	37892	40026	40070	40113	40119	40169		
	S/T	0.43	0.50	0.57	0.57	0.65	0.45	0.53	0.61	0.61	0.69	0.48	0.57	0.64	0.64	0.73	0.51	0.60	0.68	0.68	0.78		
	PI	2.08	2.08	2.08	2.08	2.09	2.20	2.21	2.21	2.21	2.21	2.34	2.34	2.34	2.34	2.35	2.48	2.48	2.48	2.48	2.48	2.49	2.49
17°F 10°C	TC	33996	34042	34079	34080	34126	36045	36088	36123	36130	36173	38198	38248	38291	38298	38341	40500	40544	40588	40594	40645		
	S/T	0.43	0.50	0.57	0.57	0.65	0.46	0.54	0.61	0.61	0.69	0.48	0.57	0.64	0.64	0.73	0.51	0.60	0.68	0.68	0.78		
	PI	2.05	2.06	2.06	2.06	2.06	2.18	2.18	2.18	2.18	2.19	2.31	2.31	2.31	2.31	2.32	2.45	2.45	2.45	2.45	2.45	2.46	2.46
23°F 5°C	TC	33937	33983	34020	34021	34067	35983	36025	36061	36068	36111	38132	38182	38225	38232	38274	40430	40474	40518	40524	40575		
	S/T	0.43	0.51	0.58	0.58	0.66	0.46	0.54	0.61	0.61	0.70	0.49	0.57	0.65	0.65	0.74	0.51	0.60	0.69	0.69	0.78		
	PI	2.03	2.03	2.03	2.03	2.04	2.15	2.15	2.15	2.16	2.16	2.28	2.28	2.28	2.28	2.29	2.42	2.42	2.42	2.42	2.42	2.42	2.42
35°F 1.7°C	TC	33820	33865	33902	33903	33949	35858	35901	35936	35943	35986	38000	38050	38092	38099	38142	40290	40334	40378	40384	40434		
	S/T	0.43	0.51	0.58	0.58	0.66	0.46	0.54	0.61	0.61	0.70	0.49	0.57	0.65	0.65	0.74	0.52	0.61	0.69	0.69	0.79		
	PI	1.97	1.98	1.98	1.98	1.98	2.09	2.10	2.10	2.10	2.10	2.22	2.22	2.22	2.22	2.23	2.35	2.36	2.36	2.36	2.36	2.36	2.36
41°F 5°C	TC	29329	29368	29400	29401	29441	31096	31133	31164	31170	31207	32954	32997	33033	33040	33076	34939	34977	35015	35021	35064		
	S/T	0.44	0.51	0.58	0.58	0.66	0.46	0.54	0.62	0.62	0.70	0.49	0.57	0.65	0.65	0.74	0.52	0.61	0.69	0.69	0.79		
	PI	1.52	1.53	1.53	1.53	1.53	1.62	1.62	1.62	1.62	1.62	1.71	1.71	1.72	1.72	1.72	1.81	1.82	1.82	1.82	1.82	1.82	1.82
47°F 8.3°C	TC	24837	24871	24897	24898	24932	26334	26365	26391	26396	26428	27907	27943	27975	27980	28011	29589	29621	29653	29658	29695		
	S/T	0.44	0.51	0.58	0.58	0.66	0.46	0.54	0.62	0.62	0.70	0.49	0.58	0.65	0.65	0.75	0.52	0.61	0.69	0.69	0.79		
	PI	1.07	1.07	1.07	1.07	1.08	1.14	1.14	1.14	1.14	1.14	1.20	1.21	1.21	1.21	1.21	1.28	1.28	1.28	1.28	1.28	1.28	1.28
50°F 10°C	TC	25117	25151	25178	25179	25213	26631	26663	26689	26694	26726	28222	28259	28290	28296	28327	29923	29955	29988	29992	30030		
	S/T	0.44	0.52	0.59	0.59	0.67	0.47	0.55	0.62	0.62	0.71	0.49	0.58	0.66	0.66	0.75	0.52	0.61	0.70	0.70	0.79		
	PI	1.12	1.13	1.13	1.13	1.13	1.19	1.19	1.19	1.19	1.20	1.26	1.26	1.27	1.27	1.27	1.34	1.34	1.34	1.34	1.34	1.34	1.34
59°F 15°C	TC	25958	25993	26021	26022	26057	27523	27555	27582	27588	27621	29167	29205	29237	29243	29275	30924	30958	30992	30996	31035		
	S/T	0.44	0.52	0.59	0.59	0.67	0.47	0.55	0.62	0.62	0.71	0.50	0.58	0.66	0.66	0.75	0.53	0.62	0.70	0.70	0.80		
	PI	1.28	1.28	1.28	1.28	1.29	1.36	1.36	1.36	1.36	1.36	1.44	1.44	1.44	1.44	1.44	1.53	1.53	1.53	1.53	1.53	1.53	1.53
68°F 20°C	TC	26799	26835	26864	26865	26901	28414	28448	28476	28481	28515	30112	30151	30184	30190	30224	31926	31961	31995	32000	32040		
	S/T	0.45	0.53	0.60	0.60	0.69	0.48	0.56	0.64	0.64	0.73	0.51	0.60	0.68	0.68	0.77	0.54	0.63	0.72	0.72	0.82		
	PI	1.44	1.44	1.44	1.44	1.44	1.52	1.53	1.53	1.53	1.53	1.62	1.62	1.62	1.62	1.62	1.71	1.71	1.72	1.72	1.72	1.72	1.72
77°F 25°C	TC	27640	27677	27707	27708	27745	29306	29340	29369	29375	29410	31056	31097	31131	31137	31172	32928	32963	32999	33004	33046		
	S/T	0.46	0.54	0.61	0.61	0.70	0.49	0.57	0.65	0.65	0.74	0.52	0.60	0.69	0.69	0.78	0.55	0.64	0.73	0.73	0.83		
	PI	1.59	1.60	1.60	1.60	1.60	1.69	1.69	1.69	1.69	1.70	1.79	1.79	1.80	1.80	1.80	1.90	1.90	1.90	1.90	1.90	1.91	1.91
82°F 27.8°C	TC	28252	28290	28320	28321	28359	29954	29990	30019	30025	30061	31744	31785	31820	31826	31862	33656	33693	33730	33735	33777		
	S/T	0.46	0.55	0.62	0.62	0.71	0.49	0.58	0.66	0.66	0.75	0.52	0.61	0.70	0.70	0.79	0.55	0.65	0.74	0.74	0.84		
	PI	1.86	1.86	1.86	1.86	1.87	1.97	1.97	1.98	1.98	1.98	2.09	2.09	2.09	2.09	2.10	2.21	2.22	2.22	2.22	2.22	2.22	2.22
86°F 30°C	TC	28923	28962	28994	28995	29034	30666	30703	30733	30739	30776	32499	32541	32577	32583	32620	34457	34494	34532	34537	34580		
	S/T	0.47	0.55	0.63	0.63	0.72	0.50	0.59	0.67	0.67	0.76	0.53	0.62	0.70	0.71	0.80	0.56	0.66	0.75	0.75	0.85		
	PI	2.30	2.30	2.30	2.30	2.30	2.43	2.44	2.44	2.44	2.44	2.58	2.58	2.59	2.59	2.59	2.73	2.74	2.74	2.74	2.74	2.74	2.74
95°F 35°C	TC	30435	30476	30509	30510	30551	32269	32307	32339	32346	32384	34197	34242	34280	34286	34324	36258	36297	36337	36342	36387		
	S/T	0.47	0.55	0.63	0.63	0.72	0.50	0.59	0.67	0.67	0.76	0.53	0.62	0.70	0.71	0.80	0.56	0.66	0.75	0.75	0.85		
	PI	3.28	3.28	3.28	3.2																		

Table 8 – 36K Cooling — D5CURA + D5FUAA (Continued)

Airflow CFM	Out-door DB °F °C	ID WB °F(°C)	60.8°F (16.0°C)					64.4°F (16.0°C)					67.0°F (19.4°C)					71.6°F (22.0°C)								
			ID DB °F/°C	73.4°F 23.0°C	77.0°F 25.0°C	80.0°F 26.7°C	80.6°F 27.0°C	84.2°F 29.0°C	73.4°F 23.0°C	77.0°F 25.0°C	80.0°F 26.7°C	80.6°F 27.0°C	84.2°F 29.0°C	73.4°F 23.0°C	77.0°F 25.0°C	80.0°F 26.7°C	80.6°F 27.0°C	84.2°F 29.0°C	73.4°F 23.0°C	77.0°F 25.0°C	80.0°F 26.7°C	80.6°F 27.0°C	84.2°F 29.0°C			
			TC	/	/	/	/	/	/	/	/	/	/	/	/	/	/	/	/	/	/	/	/	/	/	/
S/T	/	/	/	/	/	/	/	/	/	/	/	/	/	/	/	/	/	/	/	/	/	/	/	/	/	
PI	/	/	/	/	/	/	/	/	/	/	/	/	/	/	/	/	/	/	/	/	/	/	/	/	/	
-22°F 30°C	TC	/	/	/	/	/	/	/	/	/	/	/	/	/	/	/	/	/	/	/	/	/	/	/	/	/
	S/T	/	/	/	/	/	/	/	/	/	/	/	/	/	/	/	/	/	/	/	/	/	/	/	/	/
	PI	/	/	/	/	/	/	/	/	/	/	/	/	/	/	/	/	/	/	/	/	/	/	/	/	/
-13°F 25°C	TC	29917	29958	29990	29991	30032	31720	31758	31789	31796	31833	33615	33659	33697	33703	33741	35641	35680	35718	35724	35768					
	S/T	0.45	0.53	0.60	0.60	0.68	0.48	0.56	0.64	0.64	0.72	0.51	0.59	0.67	0.67	0.77	0.54	0.63	0.71	0.71	0.81					
	PI	1.99	1.99	1.99	1.99	2.00	2.11	2.11	2.11	2.11	2.12	2.24	2.24	2.24	2.24	2.24	2.37	2.37	2.38	2.38	2.38					
-4°F 20°C	TC	32219	32262	32297	32298	32342	34160	34201	34235	34241	34282	36201	36248	36289	36295	36336	38382	38424	38466	38472	38520					
	S/T	0.45	0.53	0.60	0.60	0.69	0.48	0.56	0.64	0.64	0.73	0.51	0.60	0.68	0.68	0.77	0.54	0.63	0.72	0.72	0.82					
	PI	2.14	2.15	2.15	2.15	2.15	2.27	2.27	2.28	2.28	2.28	2.41	2.41	2.41	2.41	2.42	2.55	2.55	2.56	2.56	2.56					
0°F 17.8°C	TC	33242	33286	33322	33324	33369	35245	35287	35321	35328	35370	37351	37399	37441	37448	37489	39601	39644	39687	39693	39743					
	S/T	0.45	0.53	0.60	0.61	0.69	0.48	0.56	0.64	0.64	0.73	0.51	0.60	0.68	0.68	0.77	0.54	0.63	0.72	0.72	0.82					
	PI	2.21	2.21	2.22	2.22	2.22	2.34	2.35	2.35	2.35	2.35	2.48	2.49	2.49	2.49	2.49	2.63	2.64	2.64	2.64	2.64					
5°F 15°C	TC	34520	34566	34604	34605	34652	36600	36644	36680	36687	36731	38787	38837	38881	38888	38931	41124	41169	41214	41220	41271					
	S/T	0.46	0.54	0.61	0.61	0.69	0.48	0.57	0.64	0.64	0.73	0.51	0.60	0.68	0.68	0.78	0.54	0.64	0.72	0.72	0.83					
	PI	2.30	2.30	2.30	2.30	2.30	2.43	2.44	2.44	2.44	2.44	2.58	2.58	2.59	2.59	2.59	2.73	2.74	2.74	2.74	2.74					
14°F 10°C	TC	35791	35839	35878	35880	35928	37948	37993	38031	38038	38083	40215	40268	40312	40320	40365	42638	42685	42731	42738	42791					
	S/T	0.46	0.54	0.61	0.61	0.69	0.48	0.57	0.65	0.65	0.74	0.51	0.60	0.68	0.68	0.78	0.54	0.64	0.73	0.73	0.83					
	PI	2.22	2.22	2.22	2.22	2.22	2.35	2.35	2.35	2.35	2.36	2.49	2.49	2.50	2.50	2.50	2.64	2.64	2.64	2.65	2.65					
17°F 10°C	TC	36215	36264	36303	36304	36353	38397	38443	38481	38488	38534	40691	40744	40790	40797	40843	43143	43190	43237	43244	43298					
	S/T	0.46	0.54	0.61	0.61	0.70	0.49	0.57	0.65	0.65	0.74	0.51	0.60	0.69	0.69	0.78	0.55	0.64	0.73	0.73	0.83					
	PI	2.19	2.19	2.19	2.19	2.20	2.32	2.32	2.33	2.33	2.33	2.46	2.46	2.47	2.47	2.47	2.61	2.61	2.61	2.61	2.62					
23°F 5°C	TC	36152	36201	36240	36242	36290	38331	38376	38414	38422	38468	40621	40674	40719	40727	40772	43069	43115	43162	43169	43223					
	S/T	0.46	0.54	0.61	0.61	0.70	0.49	0.57	0.65	0.65	0.74	0.52	0.61	0.69	0.69	0.79	0.55	0.64	0.73	0.73	0.83					
	PI	2.16	2.16	2.17	2.17	2.17	2.29	2.29	2.30	2.30	2.30	2.43	2.43	2.43	2.43	2.44	2.57	2.58	2.58	2.58	2.58					
35°F 1.7°C	TC	36027	36076	36115	36116	36165	38198	38244	38281	38289	38334	40481	40533	40578	40586	40631	42920	42966	43013	43020	43073					
	S/T	0.46	0.54	0.62	0.62	0.70	0.49	0.58	0.65	0.65	0.75	0.52	0.61	0.69	0.69	0.79	0.55	0.65	0.74	0.74	0.84					
	PI	2.10	2.11	2.11	2.11	2.11	2.23	2.23	2.24	2.24	2.24	2.36	2.37	2.37	2.37	2.37	2.51	2.51	2.51	2.51	2.52					
41°F 5°C	TC	31243	31285	31318	31320	31362	33125	33165	33197	33204	33243	35105	35150	35189	35196	35235	37220	37260	37301	37306	37353					
	S/T	0.46	0.54	0.62	0.62	0.71	0.49	0.58	0.66	0.66	0.75	0.52	0.61	0.69	0.69	0.79	0.55	0.65	0.74	0.74	0.84					
	PI	1.62	1.62	1.63	1.63	1.63	1.72	1.72	1.72	1.72	1.73	1.82	1.83	1.83	1.83	1.83	1.93	1.94	1.94	1.94	1.94					
47°F 8.3°C	TC	26458	26494	26522	26523	26559	28053	28086	28114	28119	28152	29729	29767	29800	29806	29839	31520	31554	31588	31593	31633					
	S/T	0.47	0.55	0.62	0.62	0.71	0.49	0.58	0.66	0.66	0.75	0.52	0.61	0.70	0.70	0.79	0.55	0.65	0.74	0.74	0.84					
	PI	1.14	1.14	1.14	1.14	1.15	1.21	1.21	1.21	1.21	1.21	1.28	1.28	1.29	1.29	1.29	1.36	1.36	1.36	1.36	1.37					
50°F 10°C	TC	26757	26793	26821	26823	26859	28369	28403	28431	28436	28470	30064	30103	30137	30142	30176	31875	31910	31945	31950	31990					
	S/T	0.47	0.55	0.62	0.62	0.71	0.50	0.58	0.66	0.66	0.75	0.53	0.62	0.70	0.70	0.80	0.56	0.65	0.74	0.74	0.85					
	PI	1.20	1.20	1.20	1.20	1.20	1.27	1.27	1.27	1.27	1.27	1.35	1.35	1.35	1.35	1.35	1.43	1.43	1.43	1.43	1.43					
59°F 15°C	TC	27652	27690	27719	27721	27758	29319	29354	29383	29388	29423	31070	31111	31145	31151	31186	32943	32978	33014	33019	33060					
	S/T	0.47	0.55	0.63	0.63	0.71	0.50	0.58	0.66	0.66	0.76	0.53	0.62	0.70	0.70	0.80	0.56	0.66	0.75	0.75	0.85					
	PI	1.36	1.37	1.37	1.37	1.37	1.45	1.45	1.45	1.45	1.45	1.53	1.54	1.54	1.54	1.54	1.63	1.63	1.63	1.63	1.63					
68°F 20°C	TC	28548	28586	28617	28619	28657	30268	30304	30334	30340	30376	32077	32119	32154	32160	32196	34010	34047	34084	34089	34131					
	S/T	0.48	0.57	0.64	0.64	0.73	0.51	0.60	0.68	0.68	0.78	0.54	0.64	0.72	0.72	0.82	0.57	0.67	0.77	0.77	0.87					
	PI	1.53	1.53	1.54	1.54	1.54	1.62	1.63	1.63	1.63	1.63	1.72	1.72	1.72	1.73	1.73	1.82	1.83	1.83	1.83	1.83					
77°F 25°C	TC	29444	29483	29515	29516	29556	31218	31255	31286	31292	31329	33083	33126	33163	33169	33206	35077	35115	35153	35158	35202					
	S/T	0.49	0.57	0.65	0.65	0.74	0.52	0.61	0.69	0.69	0.79	0.55	0.64	0.73	0.73	0.83	0.58	0.68	0.78	0.78	0.88					
	PI	1.70	1.70	1.70	1.70	1.70	1.80	1.80	1.80	1.81	1.81	1.91	1.91	1.91	1.91	1.92	2.02	2.03	2.03	2.03	2.03					
82°F 27.8°C	TC	30095	30136	30168	30170	30210	31909	31947	31978	31985	32023	33815	33859	33897	33903	33941	35853	35892	35931	35937	35981					
	S/T	0.50	0.58	0.66	0.66	0.75	0.52	0.62	0.70	0.70	0.80	0.56	0.65	0.74	0.74	0.85	0.59	0.69	0.79	0.79	0.90					
	PI	1.98	1.98	1.99	1.99	1.99	2.10	2.10	2.10	2.10	2.11	2.23	2.23	2.23	2.23	2.23	2.36	2.36	2.36	2.36	2.37					
86°F 30°C	TC	30811	30853	30886	30887	30929	32668	32707	32739	32745	32784	34620	34665	34703	34710	34748	36706	36745	36785	36791	36837					
	S/T	0.50	0.59	0.67	0.67	0.76	0.53	0.62	0.71	0.71	0.81	0.56	0.66	0.75	0.75	0.86	0.60	0.70	0.80	0.80	0.91					
	PI	2.45	2.45	2.45	2.45	2.45	2.59	2.60	2.60	2.60	2.60	2.75	2.75	2.75	2.75	2.76	2.91	2.92	2.92	2.92	2.92					
95°F 35°C	TC	32421	32465	32500	32501	32545	34375	34416	34450	34457	34498	36429	36476	36517	36524	36565	38624	38666	38708	38714	38762					
	S/T	0.50	0.59	0.67	0.67	0.76	0.53	0.62	0.71	0.71	0.81	0.56	0.66	0.75	0.75	0.86	0.60	0.70	0.80	0.80	0.91					
	PI	3.49	3.50	3.50	3.50	3.50	3.70	3.71	3.71	3.71	3.71	3.92	3.93	3.93	3.93	3.94	4.16	4.16	4.17	4.17	4.17					
104°F 40°C	TC	28844	28882	28914	28915	28954	30582	30618	30648	30654	30691	32409	32451	3248												

Table 8 – 36K Cooling — D5CURA + D5FUAA (Continued)

Airflow CFM	Out-door DB °F °C	ID WB °F(°C)	60.8°F (16.0°C)					64.4°F (16.0°C)					67.0°F (19.4°C)					71.6°F (22.0°C)					
			ID DB °F/°C	73.4°F 23.0°C	77.0°F 25.0°C	80.0°F 26.7°C	80.6°F 27.0°C	84.2°F 29.0°C	73.4°F 23.0°C	77.0°F 25.0°C	80.0°F 26.7°C	80.6°F 27.0°C	84.2°F 29.0°C	73.4°F 23.0°C	77.0°F 25.0°C	80.0°F 26.7°C	80.6°F 27.0°C	84.2°F 29.0°C	73.4°F 23.0°C	77.0°F 25.0°C	80.0°F 26.7°C	80.6°F 27.0°C	84.2°F 29.0°C
			TC	S/T	PI	TC	S/T	PI	TC	S/T	PI	TC	S/T	PI	TC	S/T	PI	TC	S/T	PI	TC	S/T	PI
1185	-22°F 30°C	TC	/	/	/	/	/	/	/	/	/	/	/	/	/	/	/	/	/	/	/	/	
		S/T	/	/	/	/	/	/	/	/	/	/	/	/	/	/	/	/	/	/	/	/	
		PI	/	/	/	/	/	/	/	/	/	/	/	/	/	/	/	/	/	/	/	/	
	-13°F 25°C	TC	31870	31913	31947	31949	31992	33791	33831	33864	33871	33911	35809	35856	35896	35903	35943	37967	38008	38050	38055	38103	
		S/T	0.48	0.56	0.64	0.64	0.73	0.51	0.60	0.68	0.68	0.77	0.54	0.63	0.72	0.72	0.82	0.57	0.67	0.76	0.76	0.87	
		PI	2.12	2.12	2.12	2.12	2.13	2.25	2.25	2.25	2.25	2.25	2.38	2.38	2.39	2.39	2.39	2.52	2.53	2.53	2.53	2.53	
	-4°F 20°C	TC	34321	34368	34405	34406	34453	36390	36433	36469	36476	36519	38564	38614	38657	38664	38707	40887	40932	40976	40983	41034	
		S/T	0.48	0.57	0.64	0.64	0.73	0.51	0.60	0.68	0.68	0.78	0.54	0.64	0.72	0.72	0.82	0.57	0.67	0.77	0.77	0.87	
		PI	2.28	2.29	2.29	2.29	2.29	2.42	2.42	2.42	2.43	2.43	2.56	2.57	2.57	2.57	2.57	2.72	2.72	2.72	2.73	2.73	
	0°F 17.8°C	TC	35411	35459	35497	35498	35546	37545	37590	37627	37634	37679	39788	39840	39884	39892	39936	42185	42231	42277	42284	42337	
		S/T	0.48	0.57	0.64	0.64	0.73	0.51	0.60	0.68	0.68	0.78	0.54	0.64	0.72	0.72	0.83	0.58	0.68	0.77	0.77	0.88	
		PI	2.35	2.36	2.36	2.36	2.36	2.50	2.50	2.50	2.50	2.51	2.65	2.65	2.65	2.65	2.66	2.81	2.81	2.81	2.81	2.82	
	5°F 15°C	TC	36773	36822	36862	36864	36913	38989	39035	39074	39082	39128	41318	41372	41418	41426	41472	43808	43856	43903	43910	43965	
		S/T	0.49	0.57	0.65	0.65	0.74	0.51	0.60	0.69	0.69	0.78	0.55	0.64	0.73	0.73	0.83	0.58	0.68	0.77	0.77	0.88	
		PI	2.45	2.45	2.45	2.45	2.45	2.59	2.60	2.60	2.60	2.60	2.75	2.75	2.75	2.75	2.76	2.91	2.92	2.92	2.92	2.92	
	14°F 10°C	TC	38127	38178	38220	38221	38273	40425	40473	40513	40521	40569	42840	42896	42943	42951	42999	45421	45471	45520	45527	45584	
		S/T	0.49	0.57	0.65	0.65	0.74	0.52	0.61	0.69	0.69	0.78	0.55	0.64	0.73	0.73	0.83	0.58	0.68	0.77	0.77	0.88	
		PI	2.36	2.36	2.37	2.37	2.37	2.50	2.51	2.51	2.51	2.51	2.65	2.66	2.66	2.66	2.66	2.81	2.81	2.82	2.82	2.82	
	17°F 10°C	TC	38578	38630	38672	38674	38726	40903	40952	40992	41000	41049	43347	43403	43452	43460	43508	45959	46009	46059	46066	46123	
		S/T	0.49	0.57	0.65	0.65	0.74	0.52	0.61	0.69	0.69	0.79	0.55	0.64	0.73	0.73	0.83	0.58	0.68	0.78	0.78	0.88	
		PI	2.33	2.33	2.34	2.34	2.34	2.47	2.47	2.48	2.48	2.48	2.62	2.62	2.63	2.63	2.63	2.78	2.78	2.78	2.78	2.79	
	23°F 5°C	TC	38512	38564	38605	38607	38659	40833	40881	40921	40930	40978	43272	43328	43377	43385	43433	45879	45929	45979	45987	46044	
		S/T	0.49	0.58	0.65	0.65	0.75	0.52	0.61	0.69	0.69	0.79	0.55	0.65	0.74	0.74	0.84	0.58	0.69	0.78	0.78	0.89	
		PI	2.30	2.30	2.31	2.31	2.31	2.44	2.44	2.45	2.45	2.45	2.59	2.59	2.59	2.59	2.60	2.74	2.74	2.75	2.75	2.75	
35°F 1.7°C	TC	38379	38430	38472	38473	38525	40691	40740	40780	40788	40836	43122	43179	43227	43235	43283	45721	45770	45820	45827	45884		
	S/T	0.49	0.58	0.66	0.66	0.75	0.52	0.61	0.70	0.70	0.79	0.55	0.65	0.74	0.74	0.84	0.59	0.69	0.78	0.78	0.89		
	PI	2.24	2.24	2.25	2.25	2.25	2.38	2.38	2.38	2.38	2.38	2.52	2.52	2.52	2.52	2.53	2.67	2.67	2.68	2.68	2.68		
41°F 5°C	TC	33282	33326	33362	33364	33409	35287	35329	35364	35371	35413	37396	37444	37486	37493	37535	39649	39692	39735	39741	39791		
	S/T	0.49	0.58	0.66	0.66	0.75	0.52	0.61	0.70	0.70	0.80	0.56	0.65	0.74	0.74	0.84	0.59	0.69	0.78	0.78	0.89		
	PI	1.73	1.73	1.73	1.73	1.74	1.83	1.83	1.84	1.84	1.84	1.94	1.94	1.95	1.95	1.95	2.06	2.06	2.06	2.06	2.07		
47°F 8.3°C	TC	28185	28223	28253	28254	28293	29883	29919	29948	29954	29990	31669	31710	31745	31751	31787	33577	33613	33650	33655	33697		
	S/T	0.50	0.58	0.66	0.66	0.75	0.53	0.62	0.70	0.70	0.80	0.56	0.65	0.74	0.74	0.85	0.59	0.69	0.79	0.79	0.90		
	PI	1.22	1.22	1.22	1.22	1.22	1.29	1.29	1.29	1.29	1.29	1.37	1.37	1.37	1.37	1.37	1.45	1.45	1.45	1.45	1.45		
50°F 10°C	TC	28503	28541	28572	28573	28612	30221	30256	30286	30292	30328	32026	32068	32103	32109	32145	33956	33993	34030	34035	34077		
	S/T	0.50	0.58	0.66	0.66	0.76	0.53	0.62	0.70	0.70	0.80	0.56	0.66	0.75	0.75	0.85	0.59	0.70	0.79	0.79	0.90		
	PI	1.28	1.28	1.28	1.28	1.28	1.35	1.35	1.36	1.36	1.36	1.43	1.44	1.44	1.44	1.44	1.52	1.52	1.52	1.52	1.53		
59°F 15°C	TC	29457	29497	29528	29530	29570	31232	31269	31300	31306	31343	33098	33141	33178	33184	33221	35092	35131	35169	35174	35218		
	S/T	0.50	0.59	0.67	0.67	0.76	0.53	0.62	0.71	0.71	0.81	0.56	0.66	0.75	0.75	0.86	0.60	0.70	0.80	0.80	0.91		
	PI	1.45	1.46	1.46	1.46	1.46	1.54	1.54	1.54	1.54	1.55	1.63	1.64	1.64	1.64	1.64	1.73	1.73	1.74	1.74	1.74		
68°F 20°C	TC	30411	30452	30485	30486	30527	32244	32282	32314	32320	32359	34170	34215	34253	34259	34297	36229	36269	36308	36314	36359		
	S/T	0.51	0.60	0.69	0.69	0.78	0.54	0.64	0.73	0.73	0.83	0.58	0.68	0.77	0.77	0.88	0.61	0.72	0.82	0.82	0.93		
	PI	1.63	1.63	1.64	1.64	1.64	1.73	1.73	1.73	1.73	1.74	1.83	1.84	1.84	1.84	1.84	1.94	1.95	1.95	1.95	1.95		
77°F 25°C	TC	31365	31408	31441	31443	31485	33256	33295	33328	33334	33374	35242	35288	35328	35334	35374	37366	37406	37447	37453	37500		
	S/T	0.52	0.61	0.69	0.69	0.79	0.55	0.65	0.74	0.74	0.84	0.59	0.69	0.78	0.78	0.89	0.62	0.73	0.83	0.83	0.94		
	PI	1.81	1.81	1.81	1.81	1.82	1.92	1.92	1.92	1.92	1.93	2.03	2.04	2.04	2.04	2.04	2.16	2.16	2.16	2.16	2.16		
82°F 27.8°C	TC	32060	32103	32137	32139	32182	33992	34032	34065	34072	34113	36022	36069	36109	36116	36156	38193	38234	38276	38282	38330		
	S/T	0.53	0.62	0.70	0.70	0.80	0.56	0.66	0.75	0.75	0.85	0.59	0.70	0.79	0.79	0.90	0.63	0.74	0.84	0.84	0.95		
	PI	2.11	2.11	2.11	2.12	2.12	2.24	2.24	2.24	2.24	2.24	2.37	2.37	2.38	2.38	2.38	2.51	2.52	2.52	2.52	2.52		
86°F 30°C	TC	32822	32866	32901	32903	32947	34800	34841	34876	34882	34924	36879	36927	36968	36975	37016	39101	39144	39186	39192	39241		
	S/T	0.53	0.63	0.71	0.71	0.81	0.57	0.66	0.75	0.75	0.86	0.60	0.70	0.80	0.80	0.91	0.64	0.75	0.85	0.85	0.97		
	PI	2.60	2.61	2.61	2.61	2.61	2.76	2.76	2.77	2.77	2.77	2.93	2.93	2.93	2.93	2.94	3.10	3.11	3.11	3.11	3.11		
95°F 35°C	TC	34537	34584	34621	34623	34669	36619	36662	36698	36706	36749	38806	38857	38900	38907	38951	41145	41189	41234	41241	41292		
	S/T	0.53	0.63	0.71	0.71	0.81	0.57	0.66	0.75	0.75	0.86	0.60	0.70	0.80	0.80	0.91	0.64	0.75	0.85	0.85	0.97		
	PI	3.72	3.72	3.73	3.73	3.73	3.94	3.95	3.95	3.95	3.96	4.18	4.18	4.19	4.19	4.19	4.43	4.43	4.44	4.44	4.45		
104°F 40°C	TC	30726	30767	30801	30802	30843	32578	32616	32649	32655	32694	34524	34569	34607	34614	34653	36604	36644	36684	36690	36735		
	S/T	0.55	0.64	0.73	0.73	0.83	0.58	0.68	0.77	0.77	0.88	0.62	0.72	0.82	0.82	0.93	0.65	0.76	0.87	0.87	0.99		
	PI	3.61	3.62	3.62	3.62	3.63	3.83	3.84	3.84	3.84	3.85	4.06	4.07	4.07	4.07	4.08	4.31	4.31	4.31	4.32	4.32		
110°F 43°C	TC	28439																					

Table 9 – 48K Cooling — D5CURA + D5FUAA

Airflow CFM	Out-door DB °F °C	ID WB °F(°C)	60.8°F (16.0°C)					64.4°F (16.0°C)					67.0°F (19.4°C)					71.6°F (22.0°C)					
			ID DB °F/°C	73.4°F 23.0°C	77.0°F 25.0°C	80.0°F 26.7°C	80.6°F 27.0°C	84.2°F 29.0°C	73.4°F 23.0°C	77.0°F 25.0°C	80.0°F 26.7°C	80.6°F 27.0°C	84.2°F 29.0°C	73.4°F 23.0°C	77.0°F 25.0°C	80.0°F 26.7°C	80.6°F 27.0°C	84.2°F 29.0°C	73.4°F 23.0°C	77.0°F 25.0°C	80.0°F 26.7°C	80.6°F 27.0°C	84.2°F 29.0°C
			TC	/	/	/	/	/	/	/	/	/	/	/	/	/	/	/	/	/	/	/	/
S/T	/	/	/	/	/	/	/	/	/	/	/	/	/	/	/	/	/	/	/	/	/	/	/
PI	/	/	/	/	/	/	/	/	/	/	/	/	/	/	/	/	/	/	/	/	/	/	/
1094	-22°F 30°C	TC	34736	34783	34820	34822	34869	36829	36873	36909	36917	36961	39030	39080	39124	39131	39175	41381	41426	41471	41478	41530	
		S/T	0.41	0.48	0.54	0.54	0.62	0.43	0.51	0.57	0.57	0.66	0.46	0.54	0.61	0.61	0.69	0.48	0.57	0.65	0.65	0.74	
		PI	1.30	1.31	1.31	1.31	1.31	1.38	1.38	1.39	1.39	1.39	1.47	1.47	1.47	1.47	1.47	1.55	1.56	1.56	1.56	1.56	
-13°F 25°C	TC	37408	37458	37499	37500	37551	39662	39709	39749	39757	39804	42032	42087	42134	42141	42188	44565	44613	44662	44669	44724		
	S/T	0.41	0.48	0.55	0.55	0.62	0.43	0.51	0.58	0.58	0.66	0.46	0.54	0.61	0.61	0.70	0.49	0.57	0.65	0.65	0.74		
	PI	1.40	1.41	1.41	1.41	1.41	1.49	1.49	1.49	1.49	1.49	1.58	1.58	1.58	1.58	1.58	1.67	1.68	1.68	1.68	1.68		
-4°F 20°C	TC	38596	38648	38689	38691	38743	40922	40970	41011	41019	41067	43366	43423	43471	43479	43528	45979	46029	46079	46087	46144		
	S/T	0.41	0.48	0.55	0.55	0.62	0.43	0.51	0.58	0.58	0.66	0.46	0.54	0.61	0.61	0.70	0.49	0.57	0.65	0.65	0.74		
	PI	1.45	1.45	1.45	1.45	1.45	1.54	1.54	1.54	1.54	1.54	1.63	1.63	1.63	1.63	1.63	1.73	1.73	1.73	1.73	1.73		
0°F 17.8°C	TC	40080	40134	40177	40179	40233	42496	42546	42588	42596	42647	45034	45093	45143	45152	45202	47748	47800	47852	47859	47919		
	S/T	0.41	0.48	0.55	0.55	0.63	0.44	0.51	0.58	0.58	0.66	0.46	0.54	0.62	0.62	0.70	0.49	0.58	0.65	0.65	0.75		
	PI	1.51	1.51	1.51	1.51	1.51	1.60	1.60	1.60	1.60	1.60	1.69	1.69	1.70	1.70	1.70	1.79	1.79	1.80	1.80	1.80		
5°F 15°C	TC	40720	40775	40819	40821	40876	43174	43225	43268	43276	43328	45753	45813	45864	45872	45924	48510	48563	48616	48623	48684		
	S/T	0.41	0.48	0.55	0.55	0.63	0.44	0.51	0.58	0.58	0.67	0.46	0.54	0.62	0.62	0.71	0.49	0.58	0.66	0.66	0.75		
	PI	1.47	1.47	1.47	1.47	1.48	1.56	1.56	1.56	1.56	1.57	1.65	1.66	1.66	1.66	1.66	1.75	1.75	1.76	1.76	1.76		
14°F 10°C	TC	40933	40988	41033	41034	41090	43400	43452	43495	43503	43555	45993	46053	46104	46113	46164	48764	48817	48870	48878	48939		
	S/T	0.41	0.49	0.55	0.55	0.63	0.44	0.52	0.59	0.59	0.67	0.47	0.55	0.62	0.62	0.71	0.49	0.58	0.66	0.66	0.75		
	PI	1.46	1.46	1.46	1.46	1.47	1.55	1.55	1.55	1.55	1.55	1.64	1.64	1.64	1.64	1.65	1.74	1.74	1.74	1.74	1.75		
17°F 10°C	TC	39960	40014	40057	40059	40113	42368	42418	42460	42469	42519	44900	44958	45008	45016	45067	47605	47657	47709	47716	47775		
	S/T	0.42	0.49	0.56	0.56	0.63	0.44	0.52	0.59	0.59	0.67	0.47	0.55	0.62	0.62	0.71	0.50	0.58	0.66	0.66	0.75		
	PI	1.62	1.62	1.63	1.63	1.63	1.72	1.72	1.72	1.72	1.73	1.82	1.82	1.83	1.83	1.83	1.93	1.93	1.94	1.94	1.94		
23°F 5°C	TC	38014	38065	38106	38107	38159	40305	40352	40392	40400	40448	42712	42768	42816	42824	42871	45286	45335	45385	45392	45448		
	S/T	0.42	0.49	0.56	0.56	0.64	0.44	0.52	0.59	0.59	0.67	0.47	0.55	0.63	0.63	0.71	0.50	0.58	0.66	0.66	0.76		
	PI	1.94	1.95	1.95	1.95	1.95	2.06	2.06	2.07	2.07	2.07	2.18	2.19	2.19	2.19	2.19	2.32	2.32	2.32	2.32	2.32		
35°F 1.7°C	TC	36892	36941	36981	36983	37033	39115	39161	39200	39208	39254	41452	41506	41552	41560	41606	43949	43997	44045	44052	44107		
	S/T	0.42	0.49	0.56	0.56	0.64	0.44	0.52	0.59	0.59	0.68	0.47	0.55	0.63	0.63	0.72	0.50	0.59	0.67	0.67	0.76		
	PI	1.88	1.88	1.88	1.88	1.89	1.99	2.00	2.00	2.00	2.00	2.11	2.11	2.12	2.12	2.12	2.24	2.24	2.24	2.24	2.25		
41°F 5°C	TC	35770	35818	35857	35858	35906	37925	37970	38008	38015	38061	40191	40244	40288	40296	40341	42613	42659	42706	42712	42766		
	S/T	0.42	0.49	0.56	0.56	0.64	0.45	0.52	0.59	0.59	0.68	0.47	0.55	0.63	0.63	0.72	0.50	0.59	0.67	0.67	0.76		
	PI	1.81	1.82	1.82	1.82	1.82	1.92	1.93	1.93	1.93	1.93	2.04	2.04	2.04	2.04	2.05	2.16	2.16	2.17	2.17	2.17		
47°F 8.3°C	TC	36084	36133	36172	36173	36222	38259	38304	38342	38350	38395	40545	40597	40642	40650	40695	42987	43034	43081	43088	43141		
	S/T	0.42	0.50	0.56	0.56	0.64	0.45	0.53	0.60	0.60	0.68	0.47	0.56	0.63	0.63	0.72	0.50	0.59	0.67	0.67	0.77		
	PI	1.86	1.86	1.87	1.87	1.87	1.97	1.98	1.98	1.98	1.98	2.09	2.09	2.10	2.10	2.10	2.22	2.22	2.22	2.22	2.23		
50°F 10°C	TC	37027	37077	37117	37119	37169	39259	39305	39344	39352	39399	41604	41658	41705	41713	41759	44111	44159	44207	44214	44269		
	S/T	0.42	0.50	0.57	0.57	0.65	0.45	0.53	0.60	0.60	0.68	0.48	0.56	0.64	0.64	0.73	0.51	0.59	0.67	0.67	0.77		
	PI	2.00	2.00	2.01	2.01	2.01	2.12	2.12	2.13	2.13	2.13	2.25	2.25	2.25	2.25	2.26	2.38	2.39	2.39	2.39	2.39		
59°F 15°C	TC	37971	38022	38063	38064	38116	40259	40307	40346	40354	40402	42664	42720	42767	42775	42823	45235	45284	45333	45340	45397		
	S/T	0.44	0.51	0.58	0.58	0.66	0.46	0.54	0.62	0.62	0.70	0.49	0.57	0.65	0.65	0.74	0.52	0.61	0.69	0.69	0.79		
	PI	2.14	2.14	2.15	2.15	2.15	2.27	2.27	2.28	2.28	2.28	2.41	2.41	2.41	2.41	2.42	2.55	2.55	2.56	2.56	2.56		
68°F 20°C	TC	38914	38966	39008	39010	39062	41259	41308	41349	41357	41406	43724	43781	43829	43838	43887	46358	46409	46459	46466	46524		
	S/T	0.44	0.52	0.59	0.59	0.67	0.47	0.55	0.62	0.62	0.71	0.50	0.58	0.66	0.66	0.75	0.53	0.62	0.70	0.70	0.80		
	PI	2.28	2.28	2.29	2.29	2.29	2.42	2.42	2.42	2.42	2.43	2.56	2.57	2.57	2.57	2.57	2.72	2.72	2.72	2.72	2.73		
77°F 25°C	TC	39020	39073	39115	39117	39169	41372	41421	41462	41470	41519	43843	43900	43949	43958	44007	46485	46536	46586	46594	46652		
	S/T	0.45	0.52	0.60	0.60	0.68	0.47	0.56	0.63	0.63	0.72	0.50	0.59	0.67	0.67	0.76	0.53	0.63	0.71	0.71	0.81		
	PI	2.55	2.55	2.56	2.56	2.56	2.70	2.71	2.71	2.71	2.71	2.87	2.87	2.87	2.87	2.88	3.04	3.04	3.04	3.05	3.05		
82°F 27.8°C	TC	38578	38630	38672	38674	38726	40903	40952	40992	41000	41049	43347	43403	43452	43460	43508	45959	46009	46059	46066	46123		
	S/T	0.45	0.53	0.60	0.60	0.69	0.48	0.56	0.64	0.64	0.73	0.51	0.60	0.68	0.68	0.77	0.54	0.63	0.72	0.72	0.82		
	PI	3.01	3.01	3.01	3.01	3.02	3.19	3.19	3.19	3.20	3.20	3.38	3.38	3.39	3.39	3.39	3.58	3.59	3.59	3.59	3.59		
86°F 30°C	TC	37584	37635	37675	37677	37728	39849	39897	39936	39944	39991	42230	42285	42332	42340	42387	44775	44823	44872	44879	44935		
	S/T	0.45	0.53	0.60	0.60	0.69	0.48	0.56	0.64	0.64	0.73	0.51	0.60	0.68	0.68	0.77	0.54	0.63					

Table 9 – 48K Cooling — D5CURA + D5FUAA (Continued)

Airflow CFM	Out-door DB °F °C	ID WB °F(°C)	60.8°F (16.0°C)					64.4°F (16.0°C)					67.0°F (19.4°C)					71.6°F (22.0°C)					
			ID DB °F/°C	73.4°F 23.0°C	77.0°F 25.0°C	80.0°F 26.7°C	80.6°F 27.0°C	84.2°F 29.0°C	73.4°F 23.0°C	77.0°F 25.0°C	80.0°F 26.7°C	80.6°F 27.0°C	84.2°F 29.0°C	73.4°F 23.0°C	77.0°F 25.0°C	80.0°F 26.7°C	80.6°F 27.0°C	84.2°F 29.0°C	73.4°F 23.0°C	77.0°F 25.0°C	80.0°F 26.7°C	80.6°F 27.0°C	84.2°F 29.0°C
			TC	S/T	PI	TC	S/T	PI	TC	S/T	PI	TC	S/T	PI	TC	S/T	PI	TC	S/T	PI	TC	S/T	PI
1282	-22°F 30°C	TC	/	/	/	/	/	/	/	/	/	/	/	/	/	/	/	/	/	/	/	/	
		S/T	/	/	/	/	/	/	/	/	/	/	/	/	/	/	/	/	/	/	/	/	
		PI	/	/	/	/	/	/	/	/	/	/	/	/	/	/	/	/	/	/	/	/	
	-13°F 25°C	TC	36692	36741	36781	36783	36832	38903	38949	38988	38996	39042	41228	41281	41327	41335	41381	43712	43759	43807	43814	43868	
		S/T	0.43	0.50	0.57	0.57	0.65	0.46	0.53	0.61	0.61	0.69	0.48	0.57	0.64	0.64	0.73	0.51	0.60	0.68	0.68	0.78	
		PI	1.38	1.38	1.38	1.38	1.38	1.46	1.46	1.46	1.46	1.47	1.55	1.55	1.55	1.55	1.55	1.64	1.64	1.65	1.65	1.65	
	-4°F 20°C	TC	39515	39568	39610	39612	39665	41896	41945	41987	41995	42045	44399	44457	44506	44514	44564	47074	47125	47177	47184	47243	
		S/T	0.43	0.51	0.58	0.58	0.66	0.46	0.54	0.61	0.61	0.70	0.49	0.57	0.65	0.65	0.74	0.51	0.60	0.69	0.69	0.78	
		PI	1.48	1.49	1.49	1.49	1.49	1.57	1.58	1.58	1.58	1.58	1.67	1.67	1.67	1.67	1.67	1.77	1.77	1.77	1.77	1.77	
	0°F 17.8°C	TC	40769	40824	40868	40870	40925	43226	43277	43320	43328	43380	45808	45868	45919	45928	45979	48568	48621	48674	48682	48742	
		S/T	0.43	0.51	0.58	0.58	0.66	0.46	0.54	0.61	0.61	0.70	0.49	0.57	0.65	0.65	0.74	0.52	0.61	0.69	0.69	0.78	
		PI	1.53	1.53	1.53	1.53	1.54	1.62	1.63	1.63	1.63	1.63	1.72	1.72	1.72	1.72	1.73	1.82	1.83	1.83	1.83	1.83	
	5°F 15°C	TC	42337	42394	42440	42442	42499	44888	44942	44986	44995	45048	47570	47632	47685	47694	47747	50436	50491	50546	50554	50617	
		S/T	0.44	0.51	0.58	0.58	0.66	0.46	0.54	0.62	0.62	0.70	0.49	0.57	0.65	0.65	0.74	0.52	0.61	0.69	0.69	0.79	
		PI	1.59	1.59	1.59	1.59	1.60	1.69	1.69	1.69	1.69	1.69	1.79	1.79	1.79	1.79	1.79	1.89	1.90	1.90	1.90	1.90	
	14°F 10°C	TC	43013	43071	43117	43119	43177	45605	45659	45704	45713	45768	48330	48393	48447	48456	48510	51242	51298	51353	51361	51425	
		S/T	0.44	0.51	0.58	0.58	0.66	0.46	0.54	0.62	0.62	0.70	0.49	0.58	0.65	0.65	0.75	0.52	0.61	0.69	0.69	0.79	
		PI	1.55	1.56	1.56	1.56	1.56	1.65	1.65	1.65	1.65	1.65	1.75	1.75	1.75	1.75	1.75	1.85	1.85	1.86	1.86	1.86	
	17°F 10°C	TC	43238	43297	43343	43345	43404	45844	45898	45944	45953	46007	48583	48646	48700	48709	48764	51510	51566	51622	51630	51695	
		S/T	0.44	0.51	0.58	0.58	0.67	0.46	0.54	0.62	0.62	0.71	0.49	0.58	0.66	0.66	0.75	0.52	0.61	0.69	0.69	0.79	
		PI	1.54	1.54	1.55	1.55	1.55	1.64	1.64	1.64	1.64	1.64	1.73	1.73	1.74	1.74	1.74	1.84	1.84	1.84	1.84	1.84	
	23°F 5°C	TC	42210	42267	42313	42315	42372	44754	44807	44851	44860	44913	47428	47490	47542	47551	47604	50286	50340	50395	50403	50466	
		S/T	0.44	0.52	0.59	0.59	0.67	0.47	0.55	0.62	0.62	0.71	0.49	0.58	0.66	0.66	0.75	0.52	0.61	0.70	0.70	0.80	
		PI	1.71	1.71	1.72	1.72	1.72	1.82	1.82	1.82	1.82	1.82	1.92	1.93	1.93	1.93	1.93	2.04	2.04	2.04	2.05	2.05	
	35°F 1.7°C	TC	40154	40208	40252	40253	40308	42574	42624	42667	42675	42726	45118	45176	45227	45235	45285	47836	47888	47940	47948	48007	
		S/T	0.44	0.52	0.59	0.59	0.67	0.47	0.55	0.62	0.62	0.71	0.50	0.58	0.66	0.66	0.75	0.53	0.62	0.70	0.70	0.80	
		PI	2.05	2.06	2.06	2.06	2.06	2.18	2.18	2.18	2.18	2.19	2.31	2.31	2.31	2.31	2.32	2.45	2.45	2.45	2.45	2.46	
	41°F 5°C	TC	38969	39022	39064	39065	39118	41318	41367	41407	41416	41465	43786	43843	43892	43900	43949	46424	46475	46525	46533	46591	
		S/T	0.44	0.52	0.59	0.59	0.67	0.47	0.55	0.63	0.63	0.71	0.50	0.58	0.66	0.66	0.76	0.53	0.62	0.70	0.70	0.80	
		PI	1.99	1.99	1.99	1.99	1.99	2.10	2.11	2.11	2.11	2.11	2.23	2.23	2.24	2.24	2.24	2.37	2.37	2.37	2.37	2.37	
	47°F 8.3°C	TC	37784	37835	37876	37877	37928	40061	40109	40148	40156	40204	42455	42510	42557	42565	42612	45012	45061	45110	45117	45174	
		S/T	0.44	0.52	0.59	0.59	0.68	0.47	0.55	0.63	0.63	0.72	0.50	0.59	0.67	0.67	0.76	0.53	0.62	0.71	0.71	0.80	
		PI	1.92	1.92	1.92	1.92	1.92	2.03	2.03	2.04	2.04	2.04	2.15	2.16	2.16	2.16	2.16	2.28	2.29	2.29	2.29	2.29	
	50°F 10°C	TC	38116	38167	38209	38210	38262	40413	40461	40501	40509	40557	42828	42883	42931	42939	42987	45408	45457	45507	45514	45571	
		S/T	0.45	0.52	0.60	0.60	0.68	0.47	0.56	0.63	0.63	0.72	0.50	0.59	0.67	0.67	0.76	0.53	0.62	0.71	0.71	0.81	
		PI	1.97	1.97	1.97	1.97	1.97	2.08	2.09	2.09	2.09	2.09	2.21	2.21	2.21	2.21	2.22	2.34	2.34	2.35	2.35	2.35	
	59°F 15°C	TC	39112	39165	39207	39209	39262	41470	41519	41560	41568	41617	43947	44004	44053	44061	44111	46595	46646	46696	46704	46762	
		S/T	0.45	0.53	0.60	0.60	0.68	0.48	0.56	0.63	0.63	0.72	0.50	0.59	0.67	0.67	0.77	0.53	0.63	0.71	0.71	0.81	
		PI	2.11	2.12	2.12	2.12	2.12	2.24	2.24	2.25	2.25	2.25	2.38	2.38	2.38	2.38	2.38	2.52	2.52	2.52	2.52	2.53	
	68°F 20°C	TC	40109	40163	40206	40208	40262	42526	42576	42618	42627	42677	45067	45125	45175	45184	45234	47782	47834	47886	47893	47953	
		S/T	0.46	0.54	0.61	0.61	0.70	0.49	0.57	0.65	0.65	0.74	0.52	0.61	0.69	0.69	0.79	0.55	0.64	0.73	0.73	0.83	
		PI	2.26	2.27	2.27	2.27	2.27	2.40	2.40	2.40	2.40	2.41	2.54	2.54	2.55	2.55	2.55	2.69	2.70	2.70	2.70	2.70	
	77°F 25°C	TC	41105	41160	41205	41207	41262	43582	43634	43677	43686	43737	46186	46246	46298	46306	46358	48969	49022	49075	49083	49144	
		S/T	0.47	0.55	0.62	0.62	0.71	0.49	0.58	0.66	0.66	0.75	0.52	0.62	0.70	0.70	0.80	0.56	0.65	0.74	0.74	0.84	
		PI	2.41	2.41	2.42	2.42	2.42	2.56	2.56	2.56	2.56	2.56	2.71	2.71	2.71	2.71	2.72	2.87	2.87	2.88	2.88	2.88	
	82°F 27.8°C	TC	41217	41273	41317	41319	41375	43701	43753	43796	43805	43857	46312	46372	46424	46433	46485	49103	49156	49210	49217	49279	
		S/T	0.47	0.55	0.63	0.63	0.72	0.50	0.59	0.67	0.67	0.76	0.53	0.62	0.71	0.71	0.81	0.56	0.66	0.75	0.75	0.86	
		PI	2.69	2.70	2.70	2.70	2.70	2.86	2.86	2.86	2.86	2.87	3.03	3.03	3.03	3.03	3.04	3.21	3.21	3.22	3.22	3.22	
	86°F 30°C	TC	40751	40806	40850	40851	40906	43207	43258	43301	43309	43360	45788	45847	45899	45907	45958	48547	48600	48652	48660	48721	
		S/T	0.48	0.56	0.64	0.64	0.73	0.51	0.60	0.68	0.68	0.77	0.54	0.63	0.72	0.72	0.82	0.57	0.67	0.76	0.76	0.87	
		PI	3.18	3.18	3.18	3.18	3.19	3.37	3.37	3.37	3.37	3.38	3.57	3.57	3.58	3.58	3.58	3.78	3.79	3.79	3.79	3.80	
	95°F 35°C	TC	39701	39754	39797	39799	39852	42093	42143	42185	42193	42243	44608	44666	44716	44724	44774	47296	47347	47399	47406	47465	
		S/T	0.48	0.56	0.64	0.64	0.73	0.51	0.60	0.68	0.68	0.77	0.54	0.63	0.72	0.72	0.82	0.57	0.67	0.76	0.76	0.87	
		PI	4.26	4.27	4.27	4.27	4.28	4.52	4.52	4.53	4.53	4.53	4.79	4.79	4.80	4.80	4.80	5.07	5.08	5.09	5.09	5.09	
	104°F 40°C	TC	35786	35834	35873	35875	35923	37943	37988	38025	38033	38078	40210	40262	40307	40314	40359	42632	42679	42725	42732	42785	
		S/T	0.49	0.58	0.65	0.65	0.75	0.52	0.61	0.69	0.69	0.79	0.55	0.65	0.73	0.73	0.84	0.58	0.69	0.78	0.78	0.89	
		PI	4.17	4.18	4.18	4.18	4.19	4.42	4.43	4.43	4.43	4.44	4.69	4.69	4.70	4.70	4.70	4.97	4.97	4.98	4.98	4.99	
	110°F 43°C	TC	33437																				

Table 9 – 48K Cooling — D5CURA + D5FUAA (Continued)

Airflow CFM	Out-door DB °F °C	ID WB °F(°C)	60.8°F (16.0°C)					64.4°F (16.0°C)					67.0°F (19.4°C)					71.6°F (22.0°C)					
			ID DB °F/°C	73.4°F 23.0°C	77.0°F 25.0°C	80.0°F 26.7°C	80.6°F 27.0°C	84.2°F 29.0°C	73.4°F 23.0°C	77.0°F 25.0°C	80.0°F 26.7°C	80.6°F 27.0°C	84.2°F 29.0°C	73.4°F 23.0°C	77.0°F 25.0°C	80.0°F 26.7°C	80.6°F 27.0°C	84.2°F 29.0°C	73.4°F 23.0°C	77.0°F 25.0°C	80.0°F 26.7°C	80.6°F 27.0°C	84.2°F 29.0°C
			TC	S/T	PI	TC	S/T	PI	TC	S/T	PI	TC	S/T	PI	TC	S/T	PI	TC	S/T	PI	TC	S/T	PI
1471	-22°F 30°C	TC	/	/	/	/	/	/	/	/	/	/	/	/	/	/	/	/	/	/	/	/	
		S/T	/	/	/	/	/	/	/	/	/	/	/	/	/	/	/	/	/	/	/	/	
		PI	/	/	/	/	/	/	/	/	/	/	/	/	/	/	/	/	/	/	/	/	
	-13°F 25°C	TC	38758	38810	38852	38854	38906	41094	41143	41183	41191	41240	43549	43606	43654	43662	43711	46173	46223	46274	46281	46338	
		S/T	0.45	0.53	0.60	0.61	0.69	0.48	0.56	0.64	0.64	0.73	0.51	0.60	0.68	0.68	0.77	0.54	0.63	0.72	0.72	0.82	
		PI	1.46	1.46	1.46	1.46	1.46	1.54	1.54	1.55	1.55	1.55	1.64	1.64	1.64	1.64	1.64	1.73	1.74	1.74	1.74	1.74	
	-4°F 20°C	TC	41740	41796	41841	41843	41899	44255	44307	44351	44360	44413	46899	46960	47012	47021	47074	49725	49779	49833	49841	49903	
		S/T	0.46	0.54	0.61	0.61	0.69	0.48	0.57	0.64	0.64	0.74	0.51	0.60	0.68	0.68	0.78	0.54	0.64	0.72	0.72	0.83	
		PI	1.57	1.57	1.57	1.57	1.57	1.66	1.66	1.67	1.67	1.67	1.76	1.76	1.77	1.77	1.77	1.87	1.87	1.87	1.87	1.87	
	0°F 17.8°C	TC	43065	43123	43169	43171	43229	45660	45714	45759	45768	45823	48388	48451	48505	48514	48568	51303	51359	51415	51423	51487	
		S/T	0.46	0.54	0.61	0.61	0.70	0.49	0.57	0.65	0.65	0.74	0.51	0.60	0.69	0.69	0.78	0.55	0.64	0.73	0.73	0.83	
		PI	1.62	1.62	1.62	1.62	1.62	1.71	1.72	1.72	1.72	1.72	1.82	1.82	1.82	1.82	1.82	1.93	1.93	1.93	1.93	1.93	
	5°F 15°C	TC	44721	44781	44829	44831	44892	47416	47472	47519	47529	47585	50249	50314	50370	50380	50436	53277	53335	53393	53401	53467	
		S/T	0.46	0.54	0.61	0.61	0.70	0.49	0.57	0.65	0.65	0.74	0.52	0.61	0.69	0.69	0.79	0.55	0.64	0.73	0.73	0.83	
		PI	1.68	1.68	1.68	1.68	1.69	1.78	1.78	1.78	1.78	1.79	1.89	1.89	1.89	1.89	1.89	2.00	2.00	2.00	2.01	2.01	
	14°F 10°C	TC	45435	45496	45545	45547	45609	48173	48230	48278	48287	48345	51051	51118	51175	51184	51241	54127	54186	54245	54254	54321	
		S/T	0.46	0.54	0.61	0.61	0.70	0.49	0.57	0.65	0.65	0.74	0.52	0.61	0.69	0.69	0.79	0.55	0.64	0.73	0.73	0.83	
		PI	1.64	1.64	1.65	1.65	1.65	1.74	1.74	1.74	1.74	1.75	1.84	1.85	1.85	1.85	1.85	1.96	1.96	1.96	1.96	1.96	
	17°F 10°C	TC	45673	45735	45784	45786	45848	48426	48483	48531	48540	48598	51319	51385	51443	51452	51510	54411	54470	54529	54538	54606	
		S/T	0.46	0.54	0.62	0.62	0.70	0.49	0.57	0.65	0.65	0.74	0.52	0.61	0.69	0.69	0.79	0.55	0.65	0.73	0.73	0.84	
		PI	1.63	1.63	1.63	1.63	1.64	1.73	1.73	1.73	1.73	1.73	1.83	1.83	1.83	1.84	1.84	1.94	1.94	1.94	1.95	1.95	
	23°F 5°C	TC	44587	44647	44695	44697	44758	47274	47330	47377	47386	47443	50099	50164	50220	50229	50285	53117	53175	53233	53241	53307	
		S/T	0.46	0.55	0.62	0.62	0.71	0.49	0.58	0.66	0.66	0.75	0.52	0.61	0.70	0.70	0.79	0.55	0.65	0.74	0.74	0.84	
		PI	1.81	1.81	1.81	1.81	1.82	1.92	1.92	1.92	1.92	1.92	2.03	2.04	2.04	2.04	2.04	2.16	2.16	2.16	2.16	2.16	
	35°F 1.7°C	TC	42415	42472	42518	42520	42577	44971	45025	45069	45078	45132	47658	47720	47773	47782	47836	50530	50585	50640	50648	50711	
		S/T	0.47	0.55	0.62	0.62	0.71	0.49	0.58	0.66	0.66	0.75	0.52	0.62	0.70	0.70	0.80	0.56	0.65	0.74	0.74	0.85	
		PI	2.17	2.17	2.17	2.17	2.18	2.30	2.30	2.31	2.31	2.31	2.44	2.44	2.44	2.44	2.45	2.58	2.59	2.59	2.59	2.59	
	41°F 5°C	TC	41163	41219	41263	41265	41321	43644	43696	43739	43748	43800	46252	46312	46363	46372	46424	49038	49092	49145	49153	49214	
S/T		0.47	0.55	0.62	0.62	0.71	0.50	0.58	0.66	0.66	0.75	0.53	0.62	0.70	0.70	0.80	0.56	0.65	0.74	0.74	0.85		
PI		2.10	2.10	2.10	2.10	2.11	2.22	2.23	2.23	2.23	2.23	2.36	2.36	2.36	2.36	2.37	2.50	2.50	2.50	2.50	2.51		
47°F 8.3°C	TC	39912	39965	40008	40010	40064	42317	42367	42409	42417	42468	44845	44903	44953	44962	45012	47547	47599	47651	47658	47717		
	S/T	0.47	0.55	0.63	0.63	0.71	0.50	0.58	0.66	0.66	0.76	0.53	0.62	0.70	0.70	0.80	0.56	0.66	0.75	0.75	0.85		
	PI	2.02	2.03	2.03	2.03	2.03	2.15	2.15	2.15	2.15	2.15	2.28	2.28	2.28	2.28	2.28	2.41	2.41	2.42	2.42	2.42		
50°F 10°C	TC	40262	40317	40360	40362	40416	42689	42739	42782	42790	42841	45239	45298	45349	45357	45408	47965	48017	48069	48077	48137		
	S/T	0.47	0.55	0.63	0.63	0.72	0.50	0.59	0.67	0.67	0.76	0.53	0.62	0.71	0.71	0.81	0.56	0.66	0.75	0.75	0.85		
	PI	2.08	2.08	2.08	2.08	2.08	2.20	2.20	2.21	2.21	2.21	2.33	2.34	2.34	2.34	2.34	2.47	2.48	2.48	2.48	2.48		
59°F 15°C	TC	41315	41370	41415	41417	41473	43805	43857	43900	43909	43961	46422	46482	46534	46543	46595	49219	49272	49326	49334	49395		
	S/T	0.47	0.56	0.63	0.63	0.72	0.50	0.59	0.67	0.67	0.76	0.53	0.62	0.71	0.71	0.81	0.56	0.66	0.75	0.75	0.86		
	PI	2.23	2.24	2.24	2.24	2.24	2.37	2.37	2.37	2.37	2.38	2.51	2.51	2.52	2.52	2.52	2.66	2.66	2.67	2.67	2.67		
68°F 20°C	TC	42367	42424	42470	42472	42529	44921	44974	45018	45027	45081	47604	47666	47719	47728	47781	50473	50527	50582	50590	50653		
	S/T	0.49	0.57	0.65	0.65	0.74	0.52	0.61	0.69	0.69	0.78	0.55	0.64	0.73	0.73	0.83	0.58	0.68	0.77	0.77	0.88		
	PI	2.39	2.39	2.40	2.40	2.40	2.53	2.54	2.54	2.54	2.54	2.68	2.69	2.69	2.69	2.69	2.85	2.85	2.85	2.85	2.86		
77°F 25°C	TC	43420	43478	43525	43527	43586	46036	46091	46136	46146	46200	48787	48850	48905	48914	48968	51726	51783	51839	51847	51912		
	S/T	0.49	0.58	0.66	0.66	0.75	0.52	0.61	0.70	0.70	0.79	0.55	0.65	0.74	0.74	0.84	0.59	0.69	0.78	0.78	0.89		
	PI	2.55	2.55	2.55	2.55	2.56	2.70	2.70	2.71	2.71	2.71	2.86	2.86	2.87	2.87	2.87	3.03	3.04	3.04	3.04	3.04		
82°F 27.8°C	TC	43538	43597	43644	43646	43705	46162	46217	46263	46272	46327	48920	48984	49038	49047	49102	51868	51924	51981	51989	52053		
	S/T	0.50	0.59	0.67	0.67	0.76	0.53	0.62	0.71	0.71	0.80	0.56	0.66	0.75	0.75	0.85	0.59	0.70	0.79	0.79	0.90		
	PI	2.85	2.85	2.85	2.85	2.86	3.02	3.02	3.02	3.02	3.03	3.20	3.20	3.21	3.21	3.21	3.39	3.39	3.40	3.40	3.40		
86°F 30°C	TC	43045	43103	43150	43152	43210	45640	45694	45739	45748	45802	48366	48429	48483	48492	48546	51281	51336	51392	51400	51464		
	S/T	0.51	0.59	0.67	0.67	0.77	0.54	0.63	0.71	0.71	0.81	0.57	0.67	0.76	0.76	0.86	0.60	0.71	0.80	0.80	0.92		
	PI	3.35	3.36	3.36	3.36	3.37	3.56	3.56	3.56	3.57	3.57	3.77	3.77	3.78	3.78	3.78	4.00	4.00	4.00	4.01	4.01		
95°F 35°C	TC	41936	41993	42038	42040	42097	44464	44516	44560	44569	44622	47120	47181	47234	47243	47295	49959	50014	50068	50076	50138		
	S/T	0.51	0.59	0.67	0.67	0.77	0.54	0.63	0.71	0.71	0.81	0.57	0.67	0.76	0.76	0.86	0.60	0.71	0.80	0.80	0.92		
	PI	4.50	4.51	4.51	4.51	4.52	4.77	4.78	4.78	4.78	4.79	5.06	5.06	5.07	5.07	5.07	5.36	5.37	5.37	5.37	5.38		
104°F 40°C	TC	37801	37852	37893	37895	37946	40079	40127	40166	40174	40222	42474	42529	42576	42584	42632	45033	45082	45131	45138	45194		
	S/T	0.52	0.61	0.69	0.69	0.79	0.55	0.64	0.73	0.73	0.83	0.58	0.68	0.78	0.78	0.88	0.62	0.72	0.82	0.82	0.94		
	PI	4.41	4.41	4.42	4.42	4.42	4.67	4.68	4.68	4.68	4.69	4.95	4.96	4.96	4.96	4.97	5.25	5.25	5.26	5.26	5.27		
110°F 43°C	TC	35320																					

Table 9 – 48K Cooling — D5CURA + D5FUAA (Continued)

Airflow CFM	Outdoor DB °F °C	ID WB °F(°C)	60.8°F (16.0°C)					64.4°F (16.0°C)					67.0°F (19.4°C)					71.6°F (22.0°C)					
			ID DB °F/°C	73.4°F 23.0°C	77.0°F 25.0°C	80.0°F 26.7°C	80.6°F 27.0°C	84.2°F 29.0°C	73.4°F 23.0°C	77.0°F 25.0°C	80.0°F 26.7°C	80.6°F 27.0°C	84.2°F 29.0°C	73.4°F 23.0°C	77.0°F 25.0°C	80.0°F 26.7°C	80.6°F 27.0°C	84.2°F 29.0°C	73.4°F 23.0°C	77.0°F 25.0°C	80.0°F 26.7°C	80.6°F 27.0°C	84.2°F 29.0°C
			TC	S/T	PI	TC	S/T	PI	TC	S/T	PI	TC	S/T	PI	TC	S/T	PI	TC	S/T	PI	TC	S/T	PI
1600	-22°F 30°C	TC	/	/	/	/	/	/	/	/	/	/	/	/	/	/	/	/	/	/	/	/	
		S/T	/	/	/	/	/	/	/	/	/	/	/	/	/	/	/	/	/	/	/	/	
		PI	/	/	/	/	/	/	/	/	/	/	/	/	/	/	/	/	/	/	/	/	
	-13°F 25°C	TC	40941	40996	41040	41042	41097	43408	43459	43502	43511	43563	46001	46061	46112	46121	46173	48773	48826	48879	48887	48948	
		S/T	0.48	0.56	0.64	0.64	0.73	0.51	0.60	0.68	0.68	0.77	0.54	0.63	0.72	0.72	0.82	0.57	0.67	0.76	0.76	0.87	
		PI	1.54	1.54	1.54	1.54	1.54	1.63	1.63	1.63	1.63	1.64	1.73	1.73	1.73	1.73	1.73	1.83	1.83	1.84	1.84	1.84	
	-4°F 20°C	TC	44090	44149	44197	44199	44258	46747	46802	46849	46858	46914	49540	49604	49660	49669	49724	52525	52582	52639	52647	52713	
		S/T	0.48	0.57	0.64	0.64	0.73	0.51	0.60	0.68	0.68	0.78	0.54	0.64	0.72	0.72	0.82	0.57	0.67	0.77	0.77	0.87	
		PI	1.66	1.66	1.66	1.66	1.66	1.76	1.76	1.76	1.76	1.76	1.86	1.86	1.86	1.87	1.87	1.97	1.97	1.98	1.98	1.98	
	0°F 17.8°C	TC	45490	45551	45600	45602	45663	48231	48288	48336	48346	48403	51113	51179	51236	51246	51303	54192	54251	54310	54319	54386	
		S/T	0.48	0.57	0.64	0.64	0.73	0.51	0.60	0.68	0.68	0.78	0.54	0.64	0.72	0.72	0.83	0.58	0.68	0.77	0.77	0.88	
		PI	1.71	1.71	1.71	1.71	1.71	1.81	1.81	1.82	1.82	1.82	1.92	1.92	1.92	1.92	1.93	2.04	2.04	2.04	2.04	2.04	
	5°F 15°C	TC	47239	47303	47354	47356	47420	50086	50145	50195	50205	50265	53079	53147	53207	53217	53276	56277	56338	56399	56408	56478	
		S/T	0.49	0.57	0.65	0.65	0.74	0.51	0.60	0.69	0.69	0.78	0.55	0.64	0.73	0.73	0.83	0.58	0.68	0.77	0.77	0.88	
		PI	1.77	1.78	1.78	1.78	1.78	1.88	1.88	1.88	1.89	1.89	1.99	2.00	2.00	2.00	2.00	2.11	2.12	2.12	2.12	2.12	
	14°F 10°C	TC	47994	48058	48110	48112	48177	50886	50946	50997	51007	51067	53926	53996	54056	54066	54127	57175	57237	57300	57309	57380	
		S/T	0.49	0.57	0.65	0.65	0.74	0.52	0.61	0.69	0.69	0.78	0.55	0.64	0.73	0.73	0.83	0.58	0.68	0.77	0.77	0.88	
		PI	1.73	1.74	1.74	1.74	1.74	1.84	1.84	1.84	1.84	1.85	1.95	1.95	1.95	1.95	1.96	2.07	2.07	2.07	2.07	2.07	
	17°F 10°C	TC	48245	48310	48362	48364	48429	51153	51213	51264	51274	51335	54209	54279	54340	54350	54410	57475	57537	57600	57609	57681	
		S/T	0.49	0.57	0.65	0.65	0.74	0.52	0.61	0.69	0.69	0.79	0.55	0.64	0.73	0.73	0.83	0.58	0.68	0.78	0.78	0.88	
		PI	1.72	1.72	1.72	1.72	1.73	1.82	1.83	1.83	1.83	1.83	1.93	1.94	1.94	1.94	1.94	2.05	2.05	2.05	2.05	2.06	
	23°F 5°C	TC	47098	47161	47212	47214	47278	49936	49995	50045	50055	50114	52920	52988	53048	53057	53117	56108	56169	56230	56239	56309	
		S/T	0.49	0.58	0.65	0.65	0.75	0.52	0.61	0.69	0.69	0.79	0.55	0.65	0.74	0.74	0.84	0.58	0.69	0.78	0.78	0.89	
		PI	1.91	1.91	1.92	1.92	1.92	2.03	2.03	2.03	2.03	2.03	2.15	2.15	2.15	2.15	2.16	2.28	2.28	2.28	2.28	2.28	
35°F 1.7°C	TC	44804	44864	44912	44914	44975	47504	47560	47607	47616	47673	50342	50407	50463	50473	50529	53375	53433	53491	53500	53566		
	S/T	0.49	0.58	0.66	0.66	0.75	0.52	0.61	0.70	0.70	0.79	0.55	0.65	0.74	0.74	0.84	0.59	0.69	0.78	0.78	0.89		
	PI	2.29	2.29	2.30	2.30	2.30	2.43	2.43	2.43	2.44	2.44	2.57	2.58	2.58	2.58	2.58	2.73	2.73	2.74	2.74	2.74		
41°F 5°C	TC	43481	43540	43587	43589	43648	46102	46156	46202	46211	46266	48856	48920	48974	48983	49038	51800	51856	51913	51921	51985		
	S/T	0.49	0.58	0.66	0.66	0.75	0.52	0.61	0.70	0.70	0.80	0.56	0.65	0.74	0.74	0.84	0.59	0.69	0.78	0.78	0.89		
	PI	2.22	2.22	2.22	2.22	2.22	2.35	2.35	2.35	2.35	2.36	2.49	2.49	2.50	2.50	2.50	2.64	2.64	2.64	2.65	2.65		
47°F 8.3°C	TC	42159	42216	42261	42263	42320	44700	44753	44797	44806	44859	47370	47432	47485	47494	47547	50225	50279	50334	50342	50404		
	S/T	0.50	0.58	0.66	0.66	0.75	0.53	0.62	0.70	0.70	0.80	0.56	0.65	0.74	0.74	0.85	0.59	0.69	0.79	0.79	0.90		
	PI	2.14	2.14	2.14	2.14	2.15	2.27	2.27	2.27	2.27	2.28	2.40	2.41	2.41	2.41	2.41	2.55	2.55	2.55	2.55	2.56		
50°F 10°C	TC	42530	42587	42633	42635	42692	45093	45146	45191	45200	45253	47787	47849	47902	47911	47965	50666	50721	50776	50784	50847		
	S/T	0.50	0.58	0.66	0.66	0.76	0.53	0.62	0.70	0.70	0.80	0.56	0.66	0.75	0.75	0.85	0.59	0.70	0.79	0.79	0.90		
	PI	2.19	2.20	2.20	2.20	2.20	2.33	2.33	2.33	2.33	2.33	2.47	2.47	2.47	2.47	2.47	2.61	2.62	2.62	2.62	2.62		
59°F 15°C	TC	43641	43700	43747	43749	43808	46271	46326	46372	46381	46436	49036	49100	49154	49163	49218	51990	52047	52104	52112	52177		
	S/T	0.50	0.59	0.67	0.67	0.76	0.53	0.62	0.71	0.71	0.81	0.56	0.66	0.75	0.75	0.86	0.60	0.70	0.80	0.80	0.91		
	PI	2.36	2.36	2.36	2.36	2.37	2.50	2.50	2.51	2.51	2.51	2.65	2.65	2.66	2.66	2.66	2.81	2.81	2.82	2.82	2.82		
68°F 20°C	TC	44753	44813	44861	44864	44924	47450	47506	47553	47563	47619	50285	50350	50406	50416	50472	53315	53373	53431	53439	53506		
	S/T	0.51	0.60	0.69	0.69	0.78	0.54	0.64	0.73	0.73	0.83	0.58	0.68	0.77	0.77	0.88	0.61	0.72	0.82	0.82	0.93		
	PI	2.52	2.53	2.53	2.53	2.53	2.68	2.68	2.68	2.68	2.69	2.84	2.84	2.84	2.84	2.85	3.01	3.01	3.01	3.01	3.02		
77°F 25°C	TC	45865	45926	45976	45978	46040	48629	48686	48734	48744	48802	51534	51601	51658	51668	51726	54639	54698	54758	54766	54835		
	S/T	0.52	0.61	0.69	0.69	0.79	0.55	0.65	0.74	0.74	0.84	0.59	0.69	0.78	0.78	0.89	0.62	0.73	0.83	0.83	0.94		
	PI	2.69	2.69	2.70	2.70	2.70	2.85	2.85	2.86	2.86	2.86	3.02	3.03	3.03	3.03	3.03	3.20	3.21	3.21	3.21	3.22		
82°F 27.8°C	TC	45990	46052	46102	46104	46166	48762	48819	48868	48877	48935	51675	51742	51800	51809	51867	54788	54848	54908	54916	54985		
	S/T	0.53	0.62	0.70	0.70	0.80	0.56	0.66	0.75	0.75	0.85	0.59	0.70	0.79	0.79	0.90	0.63	0.74	0.84	0.84	0.95		
	PI	3.01	3.01	3.01	3.01	3.02	3.19	3.19	3.19	3.19	3.20	3.38	3.38	3.39	3.39	3.39	3.58	3.58	3.59	3.59	3.59		
86°F 30°C	TC	45469	45531	45580	45582	45643	48210	48267	48314	48324	48381	51090	51156	51213	51223	51280	54168	54227	54286	54294	54362		
	S/T	0.53	0.63	0.71	0.71	0.81	0.57	0.66	0.75	0.75	0.86	0.60	0.70	0.80	0.80	0.91	0.64	0.75	0.85	0.85	0.97		
	PI	3.54	3.55	3.55	3.55	3.56	3.76	3.76	3.77	3.77	3.77	3.98	3.99	3.99	3.99	4.00	4.22	4.23	4.23	4.23	4.24		
95°F 35°C	TC	44298	44357	44405	44407	44467	46967	47023	47070	47079	47135	49773	49838	49894	49903	49959	52772	52830	52887	52896	52961		
	S/T	0.53	0.63	0.71	0.71	0.81	0.57	0.66	0.75	0.75	0.86	0.60	0.70	0.80	0.80	0.91	0.64	0.75	0.85	0.85	0.97		
	PI	4.75	4.76	4.76	4.76	4.77	5.04	5.05	5.05	5.05	5.06	5.34	5.35	5.35	5.35	5.36	5.66	5.67	5.67	5.68	5.68		
104°F 40°C	TC	39930	39984	40027	40028	40082	42336	42386	42428	42437	42487	44866	44924	44974	44982	45033	47569	47621	47672	47680	47739		
	S/T	0.55	0.64	0.73	0.73	0.83	0.58	0.68	0.77	0.77	0.88	0.62	0.72	0.82	0.82	0.93	0.65	0.76	0.87	0.87	0.99		
	PI	4.65	4.66	4.67	4.67	4.67	4.93	4.94	4.95	4.95	4.95	5.23	5.24	5.24	5.24	5.25	5.54	5.55	5.56	5.56	5.56		
110°F 43°C	TC	37309																					

Table 10 – 60K Cooling — D5CURA + D5FUAA

Airflow CFM	Out-door DB °F °C	ID WB °F(°C)	60.8°F (16.0°C)					64.4°F (16.0°C)					67.0°F (19.4°C)					71.6°F (22.0°C)					
			ID DB °F/°C	73.4°F 23.0°C	77.0°F 25.0°C	80.0°F 26.7°C	80.6°F 27.0°C	84.2°F 29.0°C	73.4°F 23.0°C	77.0°F 25.0°C	80.0°F 26.7°C	80.6°F 27.0°C	84.2°F 29.0°C	73.4°F 23.0°C	77.0°F 25.0°C	80.0°F 26.7°C	80.6°F 27.0°C	84.2°F 29.0°C	73.4°F 23.0°C	77.0°F 25.0°C	80.0°F 26.7°C	80.6°F 27.0°C	84.2°F 29.0°C
			TC	/	/	/	/	/	/	/	/	/	/	/	/	/	/	/	/	/	/	/	/
S/T	/	/	/	/	/	/	/	/	/	/	/	/	/	/	/	/	/	/	/	/	/	/	/
PI	/	/	/	/	/	/	/	/	/	/	/	/	/	/	/	/	/	/	/	/	/	/	/
-22°F 30°C	TC	32779	32823	32858	32860	32904	34754	34795	34830	34836	34878	36830	36878	36919	36926	36967	39050	39092	39135	39141	39189		
	S/T	0.35	0.41	0.47	0.47	0.54	0.37	0.44	0.50	0.50	0.57	0.40	0.46	0.53	0.53	0.60	0.42	0.49	0.56	0.56	0.64		
	PI	1.91	1.91	1.91	1.91	1.91	2.02	2.02	2.03	2.03	2.03	2.14	2.15	2.15	2.15	2.15	2.27	2.27	2.28	2.28	2.28		
-13°F 25°C	TC	35300	35348	35386	35387	35435	37427	37472	37509	37516	37561	39664	39715	39759	39767	39811	42053	42099	42145	42151	42204		
	S/T	0.35	0.42	0.47	0.47	0.54	0.38	0.44	0.50	0.50	0.57	0.40	0.47	0.53	0.53	0.61	0.42	0.50	0.56	0.56	0.64		
	PI	2.05	2.06	2.06	2.06	2.06	2.18	2.18	2.18	2.18	2.18	2.31	2.31	2.31	2.31	2.32	2.45	2.45	2.45	2.45	2.46		
-4°F 20°C	TC	36421	36470	36509	36511	36560	38616	38661	38700	38707	38753	40923	40976	41022	41029	41075	43388	43436	43483	43490	43544		
	S/T	0.36	0.42	0.47	0.47	0.54	0.38	0.44	0.50	0.50	0.57	0.40	0.47	0.53	0.53	0.61	0.42	0.50	0.56	0.56	0.64		
	PI	2.12	2.12	2.12	2.12	2.13	2.25	2.25	2.25	2.25	2.25	2.38	2.38	2.39	2.39	2.39	2.52	2.53	2.53	2.53	2.53		
0°F 17.8°C	TC	37822	37872	37913	37915	37966	40101	40148	40188	40196	40244	42497	42552	42599	42607	42655	45057	45106	45155	45162	45219		
	S/T	0.36	0.42	0.48	0.48	0.54	0.38	0.44	0.50	0.50	0.58	0.40	0.47	0.53	0.54	0.61	0.43	0.50	0.57	0.57	0.65		
	PI	2.20	2.20	2.21	2.21	2.21	2.33	2.34	2.34	2.34	2.34	2.47	2.48	2.48	2.48	2.48	2.62	2.62	2.63	2.63	2.63		
5°F 15°C	TC	38814	38866	38908	38909	38962	41153	41201	41242	41250	41299	43611	43668	43717	43725	43774	46239	46289	46340	46347	46405		
	S/T	0.36	0.42	0.48	0.48	0.54	0.38	0.45	0.51	0.51	0.58	0.40	0.47	0.54	0.54	0.61	0.43	0.50	0.57	0.57	0.65		
	PI	2.09	2.09	2.09	2.09	2.09	2.21	2.21	2.22	2.22	2.22	2.34	2.35	2.35	2.35	2.35	2.49	2.49	2.49	2.49	2.49		
14°F 10°C	TC	39144	39197	39239	39241	39294	41503	41553	41594	41602	41651	43983	44040	44089	44097	44147	46633	46684	46735	46742	46800		
	S/T	0.36	0.42	0.48	0.48	0.55	0.38	0.45	0.51	0.51	0.58	0.40	0.47	0.54	0.54	0.61	0.43	0.50	0.57	0.57	0.65		
	PI	2.05	2.05	2.05	2.05	2.06	2.17	2.17	2.18	2.18	2.18	2.30	2.30	2.31	2.31	2.31	2.44	2.44	2.45	2.45	2.45		
17°F 10°C	TC	38144	38195	38236	38238	38289	40442	40490	40530	40538	40586	42859	42914	42962	42970	43018	45441	45490	45540	45547	45604		
	S/T	0.36	0.42	0.48	0.48	0.55	0.38	0.45	0.51	0.51	0.58	0.41	0.48	0.54	0.54	0.62	0.43	0.50	0.57	0.57	0.65		
	PI	2.24	2.24	2.24	2.24	2.24	2.37	2.37	2.38	2.38	2.38	2.51	2.51	2.52	2.52	2.52	2.66	2.67	2.67	2.67	2.67		
23°F 5°C	TC	36142	36191	36230	36232	36281	38321	38366	38404	38411	38457	40610	40663	40708	40716	40761	43057	43104	43151	43157	43211		
	S/T	0.36	0.43	0.48	0.48	0.55	0.38	0.45	0.51	0.51	0.58	0.41	0.48	0.54	0.54	0.62	0.43	0.51	0.58	0.58	0.66		
	PI	2.61	2.61	2.62	2.62	2.62	2.77	2.77	2.77	2.77	2.78	2.93	2.94	2.94	2.94	2.94	3.11	3.11	3.12	3.12	3.12		
35°F 1.7°C	TC	36120	36169	36208	36209	36258	38297	38342	38380	38388	38433	40585	40638	40683	40691	40736	43030	43077	43124	43131	43184		
	S/T	0.36	0.43	0.48	0.48	0.55	0.39	0.45	0.51	0.51	0.59	0.41	0.48	0.54	0.54	0.62	0.43	0.51	0.58	0.58	0.66		
	PI	2.98	2.99	2.99	2.99	3.00	3.16	3.17	3.17	3.17	3.18	3.35	3.36	3.36	3.36	3.37	3.55	3.56	3.56	3.56	3.57		
41°F 5°C	TC	36098	36146	36185	36187	36236	38273	38319	38357	38364	38410	40560	40613	40658	40665	40711	43004	43051	43097	43104	43158		
	S/T	0.36	0.43	0.49	0.49	0.55	0.39	0.45	0.51	0.51	0.59	0.41	0.48	0.55	0.55	0.62	0.43	0.51	0.58	0.58	0.66		
	PI	3.36	3.36	3.37	3.37	3.37	3.56	3.56	3.57	3.57	3.57	3.77	3.78	3.78	3.78	3.79	4.00	4.00	4.01	4.01	4.01		
47°F 8.3°C	TC	36394	36443	36483	36484	36533	38588	38633	38672	38679	38725	40893	40946	40992	40999	41045	43357	43404	43451	43458	43512		
	S/T	0.37	0.43	0.49	0.49	0.56	0.39	0.46	0.52	0.52	0.59	0.41	0.48	0.55	0.55	0.63	0.44	0.51	0.58	0.58	0.66		
	PI	3.30	3.30	3.31	3.31	3.31	3.50	3.50	3.50	3.50	3.51	3.71	3.71	3.71	3.72	3.72	3.93	3.93	3.94	3.94	3.94		
50°F 10°C	TC	37284	37334	37374	37376	37426	39531	39577	39617	39624	39671	41892	41947	41994	42001	42048	44416	44465	44513	44520	44576		
	S/T	0.37	0.43	0.49	0.49	0.56	0.39	0.46	0.52	0.52	0.59	0.41	0.49	0.55	0.55	0.63	0.44	0.51	0.58	0.58	0.67		
	PI	3.12	3.12	3.13	3.13	3.13	3.31	3.31	3.31	3.31	3.32	3.50	3.51	3.51	3.51	3.52	3.71	3.72	3.72	3.72	3.73		
59°F 15°C	TC	38173	38224	38266	38267	38319	40474	40521	40562	40570	40618	42892	42947	42995	43003	43051	45476	45525	45575	45582	45639		
	S/T	0.38	0.44	0.50	0.50	0.57	0.40	0.47	0.53	0.53	0.61	0.42	0.50	0.57	0.57	0.65	0.45	0.53	0.60	0.60	0.68		
	PI	2.94	2.94	2.94	2.94	2.95	3.11	3.12	3.12	3.12	3.13	3.30	3.30	3.31	3.31	3.31	3.50	3.50	3.51	3.51	3.51		
68°F 20°C	TC	39062	39115	39157	39159	39212	41417	41466	41507	41515	41564	43891	43948	43997	44005	44054	46535	46586	46637	46644	46702		
	S/T	0.38	0.45	0.51	0.51	0.58	0.41	0.48	0.54	0.54	0.62	0.43	0.50	0.57	0.57	0.65	0.46	0.53	0.61	0.61	0.69		
	PI	2.76	2.76	2.76	2.76	2.77	2.92	2.93	2.93	2.93	2.93	3.10	3.10	3.11	3.11	3.11	3.28	3.29	3.29	3.29	3.30		
77°F 25°C	TC	38930	38983	39025	39027	39079	41277	41325	41366	41374	41424	43743	43799	43848	43856	43905	46378	46429	46479	46486	46544		
	S/T	0.39	0.45	0.52	0.52	0.59	0.41	0.48	0.55	0.55	0.62	0.44	0.51	0.58	0.58	0.66	0.46	0.54	0.62	0.62	0.70		
	PI	2.89	2.89	2.90	2.90	2.90	3.06	3.07	3.07	3.07	3.07	3.25	3.25	3.25	3.25	3.26	3.44	3.45	3.45	3.45	3.45		
82°F 27.8°C	TC	38035	38086	38127	38129	38180	40327	40375	40415	40423	40471	42736	42792	42840	42848	42895	45311	45361	45410	45417	45474		
	S/T	0.39	0.46	0.52	0.52	0.60	0.42	0.49	0.55	0.55	0.63	0.44	0.52	0.59	0.59	0.67	0.47	0.55	0.62	0.62	0.71		
	PI	3.29	3.29	3.30	3.30	3.30	3.49	3.49	3.49	3.49	3.50	3.69	3.70	3.70	3.70	3.71	3.92						

Table 10 – 60K Cooling — D5CURA + D5FUAA (Continued)

Airflow CFM	Out-door DB °F °C	ID WB °F(°C)	60.8°F (16.0°C)					64.4°F (16.0°C)					67.0°F (19.4°C)					71.6°F (22.0°C)					
			ID DB °F/°C	73.4°F 23.0°C	77.0°F 25.0°C	80.0°F 26.7°C	80.6°F 27.0°C	84.2°F 29.0°C	73.4°F 23.0°C	77.0°F 25.0°C	80.0°F 26.7°C	80.6°F 27.0°C	84.2°F 29.0°C	73.4°F 23.0°C	77.0°F 25.0°C	80.0°F 26.7°C	80.6°F 27.0°C	84.2°F 29.0°C	73.4°F 23.0°C	77.0°F 25.0°C	80.0°F 26.7°C	80.6°F 27.0°C	84.2°F 29.0°C
			TC	S/T	PI	TC	S/T	PI	TC	S/T	PI	TC	S/T	PI	TC	S/T	PI	TC	S/T	PI	TC	S/T	PI
1359	-22°F 30°C	TC	/	/	/	/	/	/	/	/	/	/	/	/	/	/	/	/	/	/	/	/	
		S/T	/	/	/	/	/	/	/	/	/	/	/	/	/	/	/	/	/	/	/	/	
		PI	/	/	/	/	/	/	/	/	/	/	/	/	/	/	/	/	/	/	/	/	
	-13°F 25°C	TC	36320	36368	36408	36409	36458	38508	38554	38592	38600	38645	40809	40862	40908	40915	40961	43268	43315	43362	43369	43423	
		S/T	0.39	0.46	0.52	0.52	0.59	0.41	0.49	0.55	0.55	0.63	0.44	0.51	0.58	0.58	0.67	0.46	0.55	0.62	0.62	0.71	
		PI	2.11	2.12	2.12	2.12	2.12	2.24	2.24	2.24	2.25	2.25	2.37	2.38	2.38	2.38	2.38	2.52	2.52	2.52	2.52	2.53	
	-4°F 20°C	TC	39113	39166	39208	39210	39263	41471	41520	41561	41569	41618	43948	44005	44054	44062	44112	46596	46647	46698	46705	46763	
		S/T	0.39	0.46	0.52	0.52	0.60	0.42	0.49	0.55	0.55	0.63	0.44	0.52	0.59	0.59	0.67	0.47	0.55	0.62	0.62	0.71	
		PI	2.28	2.28	2.28	2.28	2.28	2.41	2.42	2.42	2.42	2.42	2.56	2.56	2.56	2.56	2.57	2.71	2.71	2.72	2.72	2.72	
	0°F 17.8°C	TC	40355	40409	40453	40455	40509	42787	42838	42880	42888	42939	45343	45402	45453	45461	45512	48075	48128	48180	48187	48248	
		S/T	0.39	0.46	0.52	0.52	0.60	0.42	0.49	0.56	0.56	0.63	0.44	0.52	0.59	0.59	0.67	0.47	0.55	0.63	0.63	0.71	
		PI	2.35	2.35	2.35	2.35	2.36	2.49	2.49	2.49	2.49	2.50	2.64	2.64	2.64	2.64	2.65	2.80	2.80	2.80	2.80	2.81	
	5°F 15°C	TC	41907	41964	42009	42011	42067	44433	44485	44529	44538	44591	47087	47148	47201	47210	47262	49924	49979	50033	50041	50103	
		S/T	0.40	0.46	0.53	0.53	0.60	0.42	0.49	0.56	0.56	0.64	0.44	0.52	0.59	0.59	0.68	0.47	0.55	0.63	0.63	0.72	
		PI	2.44	2.44	2.44	2.44	2.45	2.58	2.59	2.59	2.59	2.59	2.74	2.74	2.75	2.75	2.75	2.90	2.91	2.91	2.91	2.91	
	14°F 10°C	TC	43006	43064	43111	43113	43171	45598	45652	45697	45706	45761	48322	48385	48439	48448	48502	51234	51290	51345	51353	51417	
		S/T	0.40	0.47	0.53	0.53	0.60	0.42	0.49	0.56	0.56	0.64	0.45	0.52	0.59	0.59	0.68	0.47	0.55	0.63	0.63	0.72	
		PI	2.31	2.31	2.32	2.32	2.32	2.45	2.45	2.46	2.46	2.46	2.60	2.60	2.60	2.60	2.61	2.75	2.76	2.76	2.76	2.76	
	17°F 10°C	TC	43373	43431	43478	43480	43539	45987	46041	46087	46096	46150	48734	48797	48852	48861	48915	51670	51727	51783	51791	51855	
		S/T	0.40	0.47	0.53	0.53	0.60	0.42	0.49	0.56	0.56	0.64	0.45	0.52	0.60	0.60	0.68	0.47	0.56	0.63	0.63	0.72	
		PI	2.27	2.27	2.27	2.27	2.28	2.41	2.41	2.41	2.41	2.41	2.55	2.55	2.56	2.56	2.56	2.70	2.71	2.71	2.71	2.71	
23°F 5°C	TC	42264	42321	42367	42368	42426	44811	44864	44909	44917	44971	47488	47550	47603	47612	47665	50350	50404	50459	50467	50530		
	S/T	0.40	0.47	0.53	0.53	0.61	0.42	0.50	0.56	0.56	0.64	0.45	0.53	0.60	0.60	0.68	0.48	0.56	0.63	0.63	0.72		
	PI	2.48	2.48	2.48	2.48	2.49	2.63	2.63	2.63	2.63	2.64	2.78	2.79	2.79	2.79	2.79	2.95	2.95	2.96	2.96	2.96		
35°F 1.7°C	TC	40047	40101	40144	40146	40200	42460	42510	42552	42561	42611	44997	45055	45106	45114	45164	47708	47760	47812	47819	47879		
	S/T	0.40	0.47	0.54	0.54	0.61	0.43	0.50	0.57	0.57	0.65	0.45	0.53	0.60	0.60	0.69	0.48	0.56	0.64	0.64	0.73		
	PI	2.89	2.90	2.90	2.90	2.90	3.07	3.07	3.07	3.07	3.08	3.25	3.25	3.26	3.26	3.26	3.45	3.45	3.45	3.45	3.46		
41°F 5°C	TC	40022	40076	40119	40121	40175	42434	42484	42526	42535	42585	44969	45028	45078	45086	45136	47679	47730	47782	47790	47849		
	S/T	0.40	0.47	0.54	0.54	0.61	0.43	0.50	0.57	0.57	0.65	0.45	0.53	0.60	0.60	0.69	0.48	0.56	0.64	0.64	0.73		
	PI	3.31	3.31	3.31	3.31	3.32	3.51	3.51	3.51	3.51	3.52	3.72	3.72	3.72	3.72	3.73	3.94	3.94	3.95	3.95	3.95		
47°F 8.3°C	TC	39997	40051	40094	40096	40150	42408	42458	42500	42508	42559	44941	45000	45050	45058	45109	47649	47701	47753	47760	47820		
	S/T	0.40	0.47	0.54	0.54	0.61	0.43	0.50	0.57	0.57	0.65	0.45	0.53	0.60	0.60	0.69	0.48	0.56	0.64	0.64	0.73		
	PI	3.72	3.73	3.73	3.73	3.73	3.94	3.95	3.95	3.95	3.96	4.18	4.19	4.19	4.19	4.20	4.43	4.44	4.44	4.44	4.45		
50°F 10°C	TC	40326	40380	40424	40425	40480	42756	42807	42849	42857	42908	45310	45369	45420	45428	45479	48041	48093	48145	48153	48213		
	S/T	0.41	0.48	0.54	0.54	0.62	0.43	0.50	0.57	0.57	0.65	0.46	0.53	0.61	0.61	0.69	0.48	0.57	0.64	0.64	0.73		
	PI	3.65	3.66	3.66	3.66	3.67	3.87	3.88	3.88	3.88	3.89	4.11	4.11	4.12	4.12	4.12	4.35	4.36	4.36	4.36	4.37		
59°F 15°C	TC	41311	41367	41411	41413	41469	43801	43853	43896	43905	43957	46418	46478	46530	46538	46590	49214	49268	49322	49329	49391		
	S/T	0.41	0.48	0.54	0.54	0.62	0.43	0.51	0.58	0.58	0.66	0.46	0.54	0.61	0.61	0.70	0.49	0.57	0.65	0.65	0.74		
	PI	3.45	3.46	3.46	3.46	3.47	3.66	3.67	3.67	3.67	3.68	3.88	3.89	3.89	3.89	3.90	4.12	4.12	4.12	4.13	4.13		
68°F 20°C	TC	42297	42354	42399	42401	42458	44846	44899	44943	44952	45005	47525	47587	47640	47649	47702	50388	50443	50498	50506	50569		
	S/T	0.42	0.49	0.56	0.56	0.64	0.44	0.52	0.59	0.59	0.67	0.47	0.55	0.63	0.63	0.71	0.50	0.59	0.66	0.66	0.76		
	PI	3.25	3.26	3.26	3.26	3.27	3.45	3.46	3.46	3.46	3.46	3.66	3.66	3.67	3.67	3.67	3.88	3.88	3.89	3.89	3.89		
77°F 25°C	TC	43282	43340	43387	43389	43447	45890	45945	45990	45999	46054	48632	48695	48750	48759	48813	51562	51618	51675	51683	51747		
	S/T	0.42	0.50	0.57	0.57	0.64	0.45	0.53	0.60	0.60	0.68	0.48	0.56	0.64	0.64	0.72	0.51	0.59	0.67	0.67	0.77		
	PI	3.06	3.06	3.06	3.06	3.07	3.24	3.24	3.25	3.25	3.25	3.43	3.44	3.44	3.44	3.45	3.64	3.64	3.65	3.65	3.65		
82°F 27.8°C	TC	43136	43194	43240	43242	43301	45735	45790	45835	45844	45898	48468	48531	48585	48594	48648	51388	51444	51500	51508	51572		
	S/T	0.43	0.50	0.57	0.57	0.65	0.46	0.53	0.61	0.61	0.69	0.48	0.57	0.64	0.64	0.73	0.51	0.60	0.68	0.68	0.78		
	PI	3.20	3.21	3.21	3.21	3.21	3.39	3.40	3.40	3.40	3.41	3.60	3.60	3.61	3.61	3.61	3.81	3.82	3.82	3.82	3.83		
86°F 30°C	TC	42144	42200	42246	42248	42305	44683	44736	44780	44789	44842	47353	47414	47467	47476	47529	50206	50261	50315	50323	50386		
	S/T	0.43	0.51	0.58	0.58	0.66	0.46	0.54	0.61	0.61	0.70	0.49	0.57	0.65	0.65	0.74	0.52	0.61	0.69	0.69	0.79		
	PI	3.64	3.65	3.65	3.65	3.66	3.86	3.87	3.87	3.87	3.88	4.09	4.10	4.10	4.10	4.11	4.34	4.34	4.35	4.35	4.35		
95°F 35°C	TC	39911	39965	40008	40010	40063	42316	42366	42408	42417	42467	44844	44903	44953	44961	45011	47546	47598	47650	47657	47717		
	S/T	0.43	0.51	0.58	0.58	0.66	0.46	0.54	0.61	0.61	0.70	0.49	0.57	0.65	0.65	0.74	0.52	0.61	0.69	0.69	0.79		
	PI	4.63	4.64	4.65	4.65	4.65	4.91	4.92	4.92	4.93	4.93	5.21	5.21	5.22	5.22	5.23	5.52	5.53	5.53	5.53	5.54		
104°F 40°C	TC	33886	33931	33968	33969	34015	35928	35970	36006	36013	36056	38074	38124	38166	38173	38216	40368	40412	40456	40463	40513		
	S/T	0.45	0.52	0.59	0.59	0.68	0.47	0.55	0.63	0.63	0.72	0.50	0.59	0.67	0.67	0.76	0.53	0.62	0.71	0.71	0.81		
	PI	4.03	4.04	4.04	4.04	4.05	4.27	4.28	4.28	4.28	4.29	4.53	4.54	4.54	4.54	4.55	4.80	4.81	4.81	4.81	4.82		
110°F 43°C	TC	30271																					

Table 10 – 60K Cooling — D5CURA + D5FUAA (Continued)

Airflow CFM	Out-door DB °F °C	ID WB °F(°C)	60.8°F (16.0°C)					64.4°F (16.0°C)					67.0°F (19.4°C)					71.6°F (22.0°C)					
			ID DB °F/°C	73.4°F 23.0°C	77.0°F 25.0°C	80.0°F 26.7°C	80.6°F 27.0°C	84.2°F 29.0°C	73.4°F 23.0°C	77.0°F 25.0°C	80.0°F 26.7°C	80.6°F 27.0°C	84.2°F 29.0°C	73.4°F 23.0°C	77.0°F 25.0°C	80.0°F 26.7°C	80.6°F 27.0°C	84.2°F 29.0°C	73.4°F 23.0°C	77.0°F 25.0°C	80.0°F 26.7°C	80.6°F 27.0°C	84.2°F 29.0°C
			TC	S/T	PI	TC	S/T	PI	TC	S/T	PI	TC	S/T	PI	TC	S/T	PI	TC	S/T	PI	TC	S/T	PI
1582	-22°F 30°C	TC	/	/	/	/	/	/	/	/	/	/	/	/	/	/	/	/	/	/	/	/	
		S/T	/	/	/	/	/	/	/	/	/	/	/	/	/	/	/	/	/	/	/	/	
		PI	/	/	/	/	/	/	/	/	/	/	/	/	/	/	/	/	/	/	/	/	
	-13°F 25°C	TC	40243	40297	40340	40342	40397	42668	42719	42761	42769	42820	45217	45276	45327	45335	45386	47942	47994	48046	48054	48113	
		S/T	0.43	0.51	0.58	0.58	0.66	0.46	0.54	0.61	0.61	0.70	0.49	0.57	0.65	0.65	0.74	0.52	0.60	0.69	0.69	0.78	
		PI	2.34	2.34	2.35	2.35	2.35	2.48	2.49	2.49	2.49	2.49	2.63	2.63	2.64	2.64	2.64	2.79	2.79	2.79	2.80	2.80	
	-4°F 20°C	TC	43339	43397	43444	43445	43504	45950	46005	46050	46059	46114	48696	48759	48813	48822	48877	51630	51686	51742	51750	51814	
		S/T	0.44	0.51	0.58	0.58	0.66	0.46	0.54	0.61	0.61	0.70	0.49	0.57	0.65	0.65	0.74	0.52	0.61	0.69	0.69	0.79	
		PI	2.52	2.52	2.53	2.53	2.53	2.67	2.68	2.68	2.68	2.68	2.83	2.84	2.84	2.84	2.84	3.00	3.01	3.01	3.01	3.01	
	0°F 17.8°C	TC	44714	44774	44823	44825	44885	47409	47465	47512	47521	47578	50241	50307	50363	50372	50428	53269	53327	53385	53393	53459	
		S/T	0.44	0.51	0.58	0.58	0.66	0.46	0.54	0.62	0.62	0.70	0.49	0.58	0.65	0.65	0.75	0.52	0.61	0.69	0.69	0.79	
		PI	2.60	2.60	2.61	2.61	2.61	2.76	2.76	2.76	2.76	2.77	2.92	2.93	2.93	2.93	2.93	3.10	3.10	3.11	3.11	3.11	
	5°F 15°C	TC	46434	46497	46547	46549	46611	49232	49291	49339	49349	49408	52174	52242	52300	52310	52368	55317	55378	55438	55446	55515	
		S/T	0.44	0.51	0.58	0.58	0.67	0.46	0.55	0.62	0.62	0.71	0.49	0.58	0.66	0.66	0.75	0.52	0.61	0.70	0.70	0.79	
		PI	2.70	2.70	2.71	2.71	2.71	2.86	2.87	2.87	2.87	2.87	3.04	3.04	3.04	3.04	3.05	3.22	3.22	3.22	3.23	3.23	
	14°F 10°C	TC	47652	47716	47768	47770	47834	50524	50584	50634	50644	50704	53542	53612	53672	53682	53742	56768	56830	56892	56901	56972	
		S/T	0.44	0.52	0.59	0.59	0.67	0.47	0.55	0.62	0.62	0.71	0.49	0.58	0.66	0.66	0.75	0.52	0.61	0.70	0.70	0.80	
		PI	2.56	2.56	2.57	2.57	2.57	2.72	2.72	2.72	2.72	2.73	2.88	2.88	2.88	2.89	2.89	3.05	3.05	3.06	3.06	3.06	
	17°F 10°C	TC	48058	48123	48175	48177	48242	50954	51015	51065	51075	51136	53999	54069	54129	54139	54199	57252	57314	57377	57386	57457	
		S/T	0.44	0.52	0.59	0.59	0.67	0.47	0.55	0.62	0.62	0.71	0.50	0.58	0.66	0.66	0.75	0.52	0.62	0.70	0.70	0.80	
		PI	2.51	2.52	2.52	2.52	2.52	2.67	2.67	2.67	2.67	2.68	2.83	2.83	2.83	2.83	2.84	3.00	3.00	3.00	3.00	3.01	
23°F 5°C	TC	46830	46893	46943	46945	47009	49652	49711	49760	49770	49829	52618	52687	52745	52755	52814	55789	55849	55910	55919	55988		
	S/T	0.44	0.52	0.59	0.59	0.67	0.47	0.55	0.63	0.63	0.71	0.50	0.58	0.66	0.66	0.76	0.53	0.62	0.70	0.70	0.80		
	PI	2.74	2.75	2.75	2.75	2.75	2.91	2.91	2.92	2.92	2.92	3.08	3.09	3.09	3.09	3.10	3.27	3.27	3.28	3.28	3.28		
35°F 1.7°C	TC	44373	44432	44480	44482	44542	47047	47103	47149	47158	47214	49858	49922	49978	49987	50043	52862	52919	52977	52985	53051		
	S/T	0.45	0.52	0.59	0.59	0.68	0.47	0.55	0.63	0.63	0.72	0.50	0.59	0.67	0.67	0.76	0.53	0.62	0.71	0.71	0.81		
	PI	3.20	3.21	3.21	3.21	3.22	3.40	3.40	3.40	3.41	3.41	3.60	3.61	3.61	3.61	3.61	3.82	3.82	3.83	3.83	3.83		
41°F 5°C	TC	44345	44405	44453	44455	44515	47018	47073	47120	47129	47185	49827	49892	49947	49956	50012	52829	52886	52944	52952	53018		
	S/T	0.45	0.52	0.59	0.59	0.68	0.47	0.55	0.63	0.63	0.72	0.50	0.59	0.67	0.67	0.76	0.53	0.62	0.71	0.71	0.81		
	PI	3.66	3.67	3.67	3.67	3.68	3.88	3.89	3.89	3.89	3.90	4.12	4.12	4.13	4.13	4.13	4.36	4.37	4.37	4.37	4.38		
47°F 8.3°C	TC	44318	44378	44425	44427	44487	46989	47044	47091	47100	47156	49796	49861	49916	49926	49981	52796	52854	52911	52920	52986		
	S/T	0.45	0.52	0.60	0.60	0.68	0.47	0.56	0.63	0.63	0.72	0.50	0.59	0.67	0.67	0.76	0.53	0.63	0.71	0.71	0.81		
	PI	4.12	4.13	4.13	4.13	4.14	4.37	4.38	4.38	4.38	4.39	4.63	4.64	4.64	4.64	4.65	4.91	4.92	4.92	4.92	4.93		
50°F 10°C	TC	44682	44742	44790	44792	44853	47375	47431	47478	47487	47543	50205	50270	50326	50336	50392	53230	53288	53346	53354	53421		
	S/T	0.45	0.53	0.60	0.60	0.68	0.48	0.56	0.64	0.64	0.72	0.51	0.59	0.67	0.67	0.77	0.54	0.63	0.71	0.71	0.81		
	PI	4.05	4.05	4.06	4.06	4.06	4.29	4.30	4.30	4.30	4.31	4.55	4.56	4.56	4.56	4.57	4.82	4.83	4.83	4.83	4.84		
59°F 15°C	TC	45774	45835	45885	45887	45949	48532	48590	48638	48647	48705	51432	51499	51556	51566	51623	54531	54590	54649	54658	54726		
	S/T	0.45	0.53	0.60	0.60	0.69	0.48	0.56	0.64	0.64	0.73	0.51	0.60	0.68	0.68	0.77	0.54	0.63	0.72	0.72	0.82		
	PI	3.83	3.83	3.84	3.84	3.84	4.06	4.06	4.07	4.07	4.07	4.30	4.31	4.31	4.31	4.32	4.56	4.56	4.57	4.57	4.58		
68°F 20°C	TC	46866	46929	46979	46981	47045	49690	49749	49798	49808	49867	52659	52727	52786	52796	52855	55832	55892	55953	55962	56031		
	S/T	0.46	0.54	0.62	0.62	0.71	0.49	0.58	0.66	0.66	0.75	0.52	0.61	0.69	0.70	0.79	0.55	0.65	0.74	0.74	0.84		
	PI	3.61	3.61	3.62	3.62	3.62	3.82	3.83	3.83	3.83	3.84	4.05	4.06	4.06	4.06	4.07	4.30	4.30	4.31	4.31	4.31		
77°F 25°C	TC	47958	48022	48074	48076	48141	50848	50908	50958	50968	51029	53886	53956	54016	54026	54086	57132	57194	57257	57266	57337		
	S/T	0.47	0.55	0.63	0.63	0.71	0.50	0.58	0.66	0.66	0.76	0.53	0.62	0.70	0.70	0.80	0.56	0.66	0.75	0.75	0.85		
	PI	3.39	3.39	3.39	3.39	3.40	3.59	3.59	3.60	3.60	3.60	3.80	3.81	3.81	3.81	3.82	4.03	4.04	4.04	4.04	4.05		
82°F 27.8°C	TC	47796	47860	47911	47914	47978	50676	50736	50786	50796	50856	53704	53773	53833	53843	53903	56939	57001	57063	57072	57143		
	S/T	0.48	0.56	0.63	0.63	0.72	0.50	0.59	0.67	0.67	0.77	0.53	0.63	0.71	0.71	0.81	0.57	0.67	0.76	0.76	0.86		
	PI	3.55	3.55	3.56	3.56	3.56	3.76	3.77	3.77	3.77	3.77	3.99	3.99	4.00	4.00	4.00	4.23	4.23	4.23	4.24	4.24		
86°F 30°C	TC	46696	46759	46809	46811	46874	49510	49569	49618	49628	49687	52468	52536	52595	52605	52663	55629	55690	55751	55759	55829		
	S/T	0.48	0.57	0.64	0.64	0.73	0.51	0.60	0.68	0.68	0.78	0.54	0.64	0.72	0.72	0.82	0.57	0.67	0.77	0.77	0.87		
	PI	4.04	4.04	4.05	4.05	4.05	4.28	4.28	4.29	4.29	4.29	4.53	4.54	4.55	4.55	4.55	4.81	4.81	4.82	4.82	4.83		
95°F 35°C	TC	44222	44282	44329	44331	44391	46887	46943	46989	46999	47054	49689	49753	49809	49818	49873	52682	52740	52797	52805	52871		
	S/T	0.48	0.57	0.64	0.64	0.73	0.51	0.60	0.68	0.68	0.78	0.54	0.64	0.72	0.72	0.82	0.57	0.67	0.77	0.77	0.87		
	PI	5.14	5.14	5.15	5.15	5.16	5.44	5.45	5.46	5.46	5.46	5.77	5.78	5.78	5.79	5.79	6.12	6.12	6.13	6.13	6.14		
104°F 40°C	TC	37546	37597	37637	37639	37690	39809	39856	39895	39903	39951	42187	42242	42289	42297	42344	44729	44778	44827	44834	44889		
	S/T	0.49	0.58	0.66	0.66	0.75	0.52	0.61	0.70	0.70	0.80	0.56	0.65	0.74	0.74	0.84	0.59	0.69	0.78	0.78	0.89		
	PI	4.47	4.47	4.48	4.48	4.48	4.74	4.74	4.75	4.75	4.75	5.02	5.03	5.03	5.03	5.04	5.32	5.33	5.33	5.33	5.34		
110°F 43°C	TC	33541																					

Table 10 – 60K Cooling — D5CURA + D5FUAA (Continued)

Airflow CFM	Outdoor DB °F	ID WB °F(°C)	60.8°F (16.0°C)					64.4°F (16.0°C)					67.0°F (19.4°C)					71.6°F (22.0°C)					
			ID DB °F(°C)	73.4°F 23.0°C	77.0°F 25.0°C	80.0°F 26.7°C	80.6°F 27.0°C	84.2°F 29.0°C	73.4°F 23.0°C	77.0°F 25.0°C	80.0°F 26.7°C	80.6°F 27.0°C	84.2°F 29.0°C	73.4°F 23.0°C	77.0°F 25.0°C	80.0°F 26.7°C	80.6°F 27.0°C	84.2°F 29.0°C	73.4°F 23.0°C	77.0°F 25.0°C	80.0°F 26.7°C	80.6°F 27.0°C	84.2°F 29.0°C
			TC	S/T	PI	TC	S/T	PI	TC	S/T	PI	TC	S/T	PI	TC	S/T	PI	TC	S/T	PI	TC	S/T	PI
1806	-22°F 30°C	TC	/	/	/	/	/	/	/	/	/	/	/	/	/	/	/	/	/	/	/	/	
	S/T	/	/	/	/	/	/	/	/	/	/	/	/	/	/	/	/	/	/	/	/	/	
	PI	/	/	/	/	/	/	/	/	/	/	/	/	/	/	/	/	/	/	/	/	/	
	-13°F 25°C	TC	44590	44650	44698	44700	44760	47277	47333	47380	47389	47446	50102	50167	50223	50232	50288	53121	53178	53236	53244	53311	
	S/T	0.48	0.56	0.64	0.64	0.73	0.51	0.60	0.68	0.68	0.77	0.54	0.63	0.72	0.72	0.82	0.57	0.67	0.76	0.76	0.87		
	PI	2.59	2.60	2.60	2.60	2.60	2.75	2.75	2.76	2.76	2.76	2.91	2.92	2.92	2.92	2.93	3.09	3.09	3.10	3.10	3.10		
	-4°F 20°C	TC	48020	48085	48136	48139	48204	50914	50974	51025	51035	51095	53956	54026	54086	54096	54157	57207	57269	57331	57340	57412	
	S/T	0.48	0.57	0.64	0.64	0.73	0.51	0.60	0.68	0.68	0.78	0.54	0.64	0.72	0.72	0.82	0.57	0.67	0.77	0.77	0.87		
	PI	2.79	2.80	2.80	2.80	2.80	2.96	2.97	2.97	2.97	2.97	3.14	3.14	3.15	3.15	3.15	3.33	3.33	3.34	3.34	3.34		
	0°F 17.8°C	TC	49545	49611	49665	49667	49734	52530	52593	52644	52655	52717	55669	55741	55803	55814	55876	59023	59087	59151	59161	59234	
	S/T	0.48	0.57	0.64	0.64	0.73	0.51	0.60	0.68	0.68	0.78	0.54	0.64	0.72	0.72	0.83	0.58	0.68	0.77	0.77	0.88		
	PI	2.88	2.89	2.89	2.89	2.89	3.06	3.06	3.06	3.06	3.07	3.24	3.24	3.25	3.25	3.25	3.43	3.44	3.44	3.44	3.45		
	5°F 15°C	TC	51450	51519	51575	51577	51647	54551	54615	54669	54680	54745	57810	57885	57949	57960	58025	61293	61360	61426	61436	61512	
	S/T	0.49	0.57	0.65	0.65	0.74	0.51	0.60	0.69	0.69	0.78	0.55	0.64	0.73	0.73	0.83	0.58	0.68	0.77	0.77	0.88		
	PI	2.99	3.00	3.00	3.00	3.00	3.17	3.18	3.18	3.18	3.18	3.36	3.37	3.37	3.37	3.38	3.57	3.57	3.57	3.57	3.58		
	14°F 10°C	TC	52800	52871	52928	52930	53001	55982	56048	56103	56114	56181	59326	59403	59469	59481	59547	62901	62969	63038	63047	63126	
	S/T	0.49	0.57	0.65	0.65	0.74	0.52	0.61	0.69	0.69	0.78	0.55	0.64	0.73	0.73	0.83	0.58	0.68	0.77	0.77	0.88		
	PI	2.84	2.84	2.84	2.84	2.85	3.01	3.01	3.02	3.02	3.02	3.19	3.19	3.20	3.20	3.20	3.38	3.38	3.39	3.39	3.39		
	17°F 10°C	TC	53249	53321	53379	53381	53453	56459	56525	56581	56592	56660	59832	59909	59976	59987	60054	63437	63506	63575	63585	63664	
	S/T	0.49	0.57	0.65	0.65	0.74	0.52	0.61	0.69	0.69	0.79	0.55	0.64	0.73	0.73	0.83	0.58	0.68	0.78	0.78	0.88		
	PI	2.79	2.79	2.79	2.79	2.80	2.95	2.96	2.96	2.96	2.96	3.13	3.13	3.14	3.14	3.14	3.32	3.32	3.33	3.33	3.33		
23°F 5°C	TC	51888	51958	52014	52016	52087	55015	55081	55135	55146	55211	58302	58378	58443	58454	58519	61815	61882	61950	61959	62036		
S/T	0.49	0.58	0.65	0.65	0.75	0.52	0.61	0.69	0.69	0.79	0.55	0.65	0.74	0.74	0.84	0.58	0.69	0.78	0.78	0.89			
PI	3.04	3.04	3.05	3.05	3.05	3.22	3.23	3.23	3.23	3.24	3.42	3.42	3.43	3.43	3.43	3.62	3.63	3.63	3.63	3.64			
35°F 1.7°C	TC	49166	49232	49285	49287	49354	52129	52191	52242	52253	52315	55243	55315	55377	55387	55449	58572	58636	58699	58708	58782		
S/T	0.49	0.58	0.66	0.66	0.75	0.52	0.61	0.70	0.70	0.79	0.55	0.65	0.74	0.74	0.84	0.59	0.69	0.78	0.78	0.89			
PI	3.55	3.56	3.56	3.56	3.56	3.76	3.77	3.77	3.77	3.78	3.99	3.99	4.00	4.00	4.00	4.23	4.23	4.24	4.24	4.24			
41°F 5°C	TC	49136	49202	49255	49257	49323	52097	52159	52210	52220	52282	55209	55281	55343	55353	55415	58536	58599	58663	58672	58745		
S/T	0.49	0.58	0.66	0.66	0.75	0.52	0.61	0.70	0.70	0.80	0.56	0.65	0.74	0.74	0.84	0.59	0.69	0.78	0.78	0.89			
PI	4.06	4.06	4.07	4.07	4.07	4.30	4.31	4.31	4.31	4.32	4.56	4.57	4.57	4.57	4.58	4.84	4.84	4.85	4.85	4.85			
47°F 8.3°C	TC	49105	49171	49224	49227	49293	52065	52126	52178	52188	52250	55175	55247	55309	55319	55381	58500	58563	58627	58636	58709		
S/T	0.50	0.58	0.66	0.66	0.75	0.53	0.62	0.70	0.70	0.80	0.56	0.65	0.74	0.74	0.85	0.59	0.69	0.79	0.79	0.90			
PI	4.57	4.57	4.58	4.58	4.59	4.84	4.85	4.85	4.85	4.86	5.13	5.14	5.15	5.15	5.15	5.44	5.45	5.45	5.45	5.46			
50°F 10°C	TC	49509	49575	49629	49631	49698	52492	52554	52606	52617	52679	55628	55701	55763	55773	55835	58980	59044	59108	59118	59191		
S/T	0.50	0.58	0.66	0.66	0.76	0.53	0.62	0.70	0.70	0.80	0.56	0.66	0.75	0.75	0.85	0.59	0.70	0.79	0.79	0.90			
PI	4.49	4.49	4.50	4.50	4.50	4.76	4.76	4.77	4.77	4.77	5.04	5.05	5.05	5.05	5.06	5.34	5.35	5.36	5.36	5.36			
59°F 15°C	TC	50718	50787	50841	50844	50912	53775	53839	53892	53903	53966	56988	57062	57125	57136	57200	60421	60487	60553	60562	60638		
S/T	0.50	0.59	0.67	0.67	0.76	0.53	0.62	0.71	0.71	0.81	0.56	0.66	0.75	0.75	0.86	0.60	0.70	0.80	0.80	0.91			
PI	4.24	4.25	4.25	4.25	4.26	4.50	4.50	4.51	4.51	4.51	4.77	4.77	4.78	4.78	4.78	5.05	5.06	5.06	5.06	5.07			
68°F 20°C	TC	51928	51998	52054	52056	52127	55058	55123	55177	55188	55254	58347	58423	58488	58499	58564	61863	61930	61997	62007	62084		
S/T	0.51	0.60	0.69	0.69	0.78	0.54	0.64	0.73	0.73	0.83	0.58	0.68	0.77	0.77	0.88	0.61	0.72	0.82	0.82	0.93			
PI	4.00	4.00	4.01	4.01	4.01	4.24	4.24	4.25	4.25	4.25	4.49	4.50	4.50	4.50	4.51	4.76	4.77	4.77	4.77	4.78			
77°F 25°C	TC	53138	53210	53267	53269	53341	56340	56407	56463	56474	56541	59706	59784	59851	59862	59929	63304	63373	63442	63452	63531		
S/T	0.52	0.61	0.69	0.69	0.79	0.55	0.65	0.74	0.74	0.84	0.59	0.69	0.78	0.78	0.89	0.62	0.73	0.83	0.83	0.94			
PI	3.75	3.76	3.76	3.76	3.77	3.98	3.98	3.99	3.99	3.99	4.21	4.22	4.22	4.23	4.23	4.47	4.47	4.48	4.48	4.48			
82°F 27.8°C	TC	52959	53030	53087	53089	53161	56150	56217	56272	56283	56350	59505	59582	59648	59660	59726	63090	63159	63227	63237	63316		
S/T	0.53	0.62	0.70	0.70	0.80	0.56	0.66	0.75	0.75	0.85	0.59	0.70	0.79	0.79	0.90	0.63	0.74	0.84	0.84	0.95			
PI	3.93	3.94	3.94	3.94	3.95	4.17	4.17	4.18	4.18	4.18	4.42	4.42	4.43	4.43	4.43	4.68	4.69	4.69	4.69	4.70			
86°F 30°C	TC	51740	51810	51866	51868	51938	54858	54923	54978	54989	55054	58136	58211	58276	58287	58352	61639	61706	61773	61783	61859		
S/T	0.53	0.63	0.71	0.71	0.81	0.57	0.66	0.75	0.75	0.86	0.60	0.70	0.80	0.80	0.91	0.64	0.75	0.85	0.85	0.97			
PI	4.47	4.48	4.48	4.48	4.49	4.74	4.75	4.75	4.75	4.76	5.02	5.03	5.04	5.04	5.04	5.33	5.33	5.34	5.34	5.35			
95°F 35°C	TC	48999	49065	49118	49120	49187	51952	52014	52065	52075	52137	55056	55128	55189	55199	55261	58373	58437	58500	58510	58582		
S/T	0.53	0.63	0.71	0.71	0.81	0.57	0.66	0.75	0.75	0.86	0.60	0.70	0.80	0.80	0.91	0.64	0.75	0.85	0.85	0.97			
PI	5.69	5.70	5.70	5.70	5.71	6.03	6.04	6.05	6.05	6.05	6.39	6.40	6.41	6.41	6.42	6.78	6.79	6.79	6.79	6.80			
104°F 40°C	TC	41602	41658	41703	41705	41761	44109	44161	44205	44214	44266	46745	46805	46857	46866	46918	49561	49615	49669	49677	49738		
S/T	0.55	0.64	0.73	0.73	0.83	0.58	0.68	0.77	0.77	0.88	0.62	0.72	0.82	0.82	0.93	0.65	0.76	0.87	0.87	0.99			
PI	4.95	4.96	4.96	4.96	4.97	5.25	5.25	5.26	5.26	5.27	5.56	5.57	5.57	5.58	5.58	5.90	5.90	5.91	5.91	5.92			
110°F 43°C	TC	37164	37214	37254	37256	37306	39403	394															

# HEATING PERFORMANCE

Extrapolated Data

The highlighted data is tested; other data is simulated and for reference.

**Table 11 – 18K Heating — D5CURA + D5FUAA**

AIRFLOW (CFM)	HEATING PERFORMANCE AT INDOOR DRY BULB TEMPERATURE										
	OUTDOOR DB °F (°C)	TC: Total Heating Capacity (BTU/hr)					PI: Power Input (kW)				
		Indoor Conditions (DB°F (°C))					Indoor Conditions (DB °F (°C))				
		60.8°F (16.0°C)	68°F (20.0°C)	70°F (21.1°C)	71.6°F (22.0°C)	75.2°F (24.0°C)	60.8°F (16.0°C)	68°F (20.0°C)	70°F (21.1°C)	71.6°F (22.0°C)	75.2°F (24.0°C)
490	-22°F (-30.0°C)	/	/	/	/	/	/	/	/	/	/
	-13°F (-25.0°C)	6758	6623	6590	6263	6206	1.44	1.45	1.46	1.46	1.47
	-4°F (-20.0°C)	8417	8249	8208	7800	7730	1.50	1.52	1.52	1.52	1.53
	0°F (-17.8°C)	9316	9130	9084	8633	8555	1.52	1.53	1.53	1.54	1.54
	5°F (-15.0°C)	10439	10231	10179	9674	9587	1.54	1.55	1.55	1.56	1.56
	14°F (-10.0°C)	11301	11075	11020	10472	10378	1.56	1.58	1.58	1.58	1.59
	17°F (-8.3°C)	11588	11356	11300	10739	10642	1.57	1.58	1.59	1.59	1.60
	22°F (-5.6°C)	12365	12117	12057	11458	11355	1.59	1.60	1.60	1.61	1.61
	27°F (-2.8°C)	13141	12878	12814	12178	12068	1.60	1.61	1.62	1.62	1.63
	32°F (0.0°C)	13918	13639	13571	12897	12781	1.62	1.63	1.63	1.64	1.64
	35°F (1.7°C)	14384	14096	14025	13329	13209	1.63	1.64	1.64	1.65	1.65
	37°F (2.8°C)	14917	14618	14545	13823	13699	1.62	1.63	1.63	1.64	1.64
	42°F (5.6°C)	16250	15925	15845	15058	14923	1.59	1.60	1.61	1.61	1.62
	44.6°F (7.0°C)	16783	16447	16365	15552	15412	1.58	1.59	1.59	1.60	1.60
	47°F (8.3°C)	17583	17231	17145	16294	16147	1.56	1.58	1.58	1.58	1.59
	52°F (11.1°C)	16562	16230	16149	15347	15209	1.47	1.49	1.49	1.49	1.50
	57°F (13.9°C)	15541	15230	15154	14401	14272	1.39	1.40	1.40	1.40	1.41
	59°F (15.0°C)	15132	14830	14755	14023	13897	1.35	1.36	1.36	1.37	1.37
62°F (16.7°C)	14520	14229	14158	13455	13334	1.30	1.31	1.31	1.31	1.32	
64.4°F (18.0°C)	14111	13829	13760	13077	12959	1.26	1.27	1.27	1.28	1.28	
530	-22°F (-30.0°C)	/	/	/	/	/	/	/	/	/	/
	-13°F (-25.0°C)	7014	6874	6839	6654	6594	1.46	1.47	1.47	1.47	1.48
	-4°F (-20.0°C)	8736	8561	8518	8287	8213	1.52	1.53	1.53	1.54	1.54
	0°F (-17.8°C)	9668	9475	9428	9172	9090	1.53	1.55	1.55	1.55	1.56
	5°F (-15.0°C)	10834	10618	10565	10278	10186	1.55	1.57	1.57	1.57	1.58
	14°F (-10.0°C)	11729	11494	11437	11127	11027	1.58	1.59	1.59	1.60	1.60
	17°F (-8.3°C)	12027	11786	11727	11409	11307	1.59	1.60	1.60	1.61	1.61
	22°F (-5.6°C)	12832	12576	12513	12174	12064	1.60	1.62	1.62	1.62	1.63
	27°F (-2.8°C)	13638	13366	13299	12938	12822	1.62	1.63	1.63	1.64	1.64
	32°F (0.0°C)	14444	14155	14085	13703	13580	1.63	1.65	1.65	1.65	1.66
	35°F (1.7°C)	14928	14629	14556	14162	14034	1.64	1.66	1.66	1.66	1.67
	37°F (2.8°C)	15481	15171	15096	14687	14554	1.63	1.65	1.65	1.65	1.66
	42°F (5.6°C)	16864	16527	16445	15999	15855	1.61	1.62	1.62	1.62	1.63
	44.6°F (7.0°C)	17418	17069	16984	16524	16375	1.59	1.61	1.61	1.61	1.62
	47°F (8.3°C)	18248	17883	17793	17311	17156	1.58	1.59	1.59	1.60	1.60
	52°F (11.1°C)	17188	16844	16760	16306	16159	1.49	1.50	1.50	1.51	1.51
	57°F (13.9°C)	16129	15806	15727	15301	15163	1.40	1.41	1.41	1.42	1.42
	59°F (15.0°C)	15705	15391	15314	14899	14765	1.36	1.38	1.38	1.38	1.39
62°F (16.7°C)	15069	14768	14694	14296	14167	1.31	1.32	1.32	1.33	1.33	
64.4°F (18.0°C)	14645	14352	14280	13893	13768	1.27	1.29	1.29	1.29	1.30	

Table 11 – 18K Heating — D5CURA + D5FUAA (Continued)

AIRFLOW (CFM)	HEATING PERFORMANCE AT INDOOR DRY BULB TEMPERATURE										
	OUTDOOR DB °F (°C)	TC: Total Heating Capacity (BTU/hr)					PI: Power Input (kW)				
		Indoor Conditions (DB°F (°C))					Indoor Conditions (DB °F (°C))				
		60.8°F (16.0°C)	68°F (20.0°C)	70°F (21.1°C)	71.6°F (22.0°C)	75.2°F (24.0°C)	60.8°F (16.0°C)	68°F (20.0°C)	70°F (21.1°C)	71.6°F (22.0°C)	75.2°F (24.0°C)
580	-22°F (-30.0°C)	/	/	/	/	/	/	/	/	/	/
	-13°F (-25.0°C)	7279	7134	7098	7070	7006	1.47	1.48	1.49	1.49	1.49
	-4°F (-20.0°C)	9066	8885	8840	8805	8726	1.53	1.55	1.55	1.55	1.56
	0°F (-17.8°C)	10034	9834	9784	9745	9657	1.55	1.56	1.57	1.57	1.58
	5°F (-15.0°C)	11244	11019	10964	10920	10822	1.57	1.58	1.58	1.59	1.59
	14°F (-10.0°C)	12172	11929	11869	11822	11715	1.59	1.61	1.61	1.61	1.62
	17°F (-8.3°C)	12482	12232	12171	12122	12013	1.60	1.62	1.62	1.62	1.63
	22°F (-5.6°C)	13318	13052	12986	12934	12818	1.62	1.63	1.64	1.64	1.65
	27°F (-2.8°C)	14154	13871	13802	13747	13623	1.63	1.65	1.65	1.65	1.66
	32°F (0.0°C)	14991	14691	14617	14559	14428	1.65	1.66	1.67	1.67	1.68
	35°F (1.7°C)	15492	15183	15107	15046	14911	1.66	1.67	1.68	1.68	1.69
	37°F (2.8°C)	16067	15745	15667	15604	15464	1.65	1.66	1.67	1.67	1.68
	42°F (5.6°C)	17502	17152	17067	16998	16845	1.62	1.63	1.64	1.64	1.65
	44.6°F (7.0°C)	18077	17715	17627	17556	17398	1.61	1.62	1.63	1.63	1.64
	47°F (8.3°C)	18938	18559	18467	18393	18227	1.59	1.61	1.61	1.61	1.62
	52°F (11.1°C)	17838	17482	17394	17325	17169	1.50	1.52	1.52	1.52	1.53
	57°F (13.9°C)	16739	16404	16322	16257	16110	1.41	1.43	1.43	1.43	1.44
	59°F (15.0°C)	16299	15973	15893	15829	15687	1.38	1.39	1.39	1.39	1.40
62°F (16.7°C)	15639	15326	15250	15189	15052	1.32	1.33	1.34	1.34	1.35	
64.4°F (18.0°C)	15199	14895	14821	14761	14628	1.29	1.30	1.30	1.30	1.31	
620	-22°F (-30.0°C)	/	/	/	/	/	/	/	/	/	/
	-13°F (-25.0°C)	7555	7404	7367	7337	7271	1.49	1.50	1.50	1.50	1.51
	-4°F (-20.0°C)	9409	9221	9175	9138	9056	1.55	1.56	1.57	1.57	1.58
	0°F (-17.8°C)	10414	10206	10154	10114	10023	1.57	1.58	1.58	1.58	1.59
	5°F (-15.0°C)	11670	11436	11379	11334	11232	1.58	1.60	1.60	1.60	1.61
	14°F (-10.0°C)	12633	12380	12318	12269	12158	1.61	1.62	1.63	1.63	1.64
	17°F (-8.3°C)	12954	12695	12631	12581	12467	1.62	1.63	1.64	1.64	1.65
	22°F (-5.6°C)	13822	13545	13478	13424	13303	1.64	1.65	1.65	1.66	1.66
	27°F (-2.8°C)	14690	14396	14324	14267	14138	1.65	1.66	1.67	1.67	1.68
	32°F (0.0°C)	15558	15247	15170	15110	14974	1.67	1.68	1.68	1.69	1.69
	35°F (1.7°C)	16078	15757	15678	15615	15475	1.68	1.69	1.69	1.70	1.70
	37°F (2.8°C)	16675	16341	16259	16194	16049	1.67	1.68	1.68	1.69	1.69
	42°F (5.6°C)	18165	17801	17712	17641	17483	1.64	1.65	1.65	1.66	1.66
	44.6°F (7.0°C)	18761	18385	18293	18220	18056	1.63	1.64	1.64	1.65	1.65
	47°F (8.3°C)	19655	19262	19165	19089	18917	1.61	1.62	1.63	1.63	1.64
	52°F (11.1°C)	18513	18143	18052	17980	17818	1.52	1.53	1.53	1.54	1.54
	57°F (13.9°C)	17372	17024	16939	16872	16720	1.43	1.44	1.44	1.45	1.45
	59°F (15.0°C)	16915	16577	16494	16428	16280	1.39	1.40	1.41	1.41	1.41
62°F (16.7°C)	16231	15906	15826	15763	15621	1.34	1.35	1.35	1.35	1.36	
64.4°F (18.0°C)	15774	15459	15381	15320	15182	1.30	1.31	1.31	1.32	1.32	

Table 12 – 24K Heating — D5CURA + D5FUAA

AIRFLOW (CFM)	HEATING PERFORMANCE AT INDOOR DRY BULB TEMPERATURE										
	OUTDOOR DB (°F (°C))	TC: Total Heating Capacity (BTU/hr)					PI: Power Input (kW)				
		Indoor Conditions (DB °F (°C))					Indoor Conditions (DB °F (°C))				
		60.8°F (16.0°C)	68°F (20.0°C)	70°F (21.1°C)	71.6°F (22.0°C)	75.2°F (24.0°C)	60.8°F (16.0°C)	68°F (20.0°C)	70°F (21.1°C)	71.6°F (22.0°C)	75.2°F (24.0°C)
629	-22°F (-30.0°C)	/	/	/	/	/	/	/	/	/	/
	-13°F (-25.0°C)	12426	12178	12117	11894	11787	2.52	2.54	2.55	2.55	2.56
	-4°F (-20.0°C)	14871	14574	14501	14234	14106	2.54	2.57	2.57	2.58	2.59
	0°F (-17.8°C)	17003	16663	16579	16274	16127	2.81	2.83	2.84	2.85	2.86
	5°F (-15.0°C)	19667	19274	19177	18824	18655	3.14	3.17	3.18	3.18	3.19
	14°F (-10.0°C)	21030	20610	20507	20129	19947	3.15	3.17	3.18	3.19	3.20
	17°F (-8.3°C)	21485	21055	20950	20564	20378	3.15	3.17	3.18	3.19	3.20
	22°F (-5.6°C)	21426	20997	20892	20507	20323	2.96	2.99	2.99	3.00	3.01
	27°F (-2.8°C)	21367	20940	20835	20451	20267	2.77	2.80	2.80	2.81	2.82
	32°F (0.0°C)	21309	20883	20778	20395	20212	2.59	2.61	2.61	2.62	2.63
	35°F (1.7°C)	21274	20848	20744	20361	20178	2.47	2.49	2.50	2.50	2.51
	37°F (2.8°C)	22101	21659	21551	21154	20963	2.49	2.51	2.52	2.52	2.53
	42°F (5.6°C)	24170	23687	23568	23134	22926	2.54	2.56	2.57	2.57	2.58
	44.6°F (7.0°C)	24998	24498	24375	23926	23711	2.56	2.58	2.59	2.59	2.60
	47°F (8.3°C)	26239	25715	25586	25114	24888	2.59	2.61	2.62	2.62	2.64
	52°F (11.1°C)	24362	23875	23755	23318	23108	2.49	2.51	2.52	2.52	2.53
	57°F (13.9°C)	22485	22035	21925	21521	21327	2.39	2.41	2.41	2.42	2.43
	59°F (15.0°C)	21734	21299	21192	20802	20615	2.35	2.37	2.37	2.38	2.38
62°F (16.7°C)	20607	20195	20094	19724	19546	2.29	2.30	2.31	2.31	2.32	
64.4°F (18.0°C)	19856	19459	19362	19005	18834	2.24	2.26	2.27	2.27	2.28	
694	-22°F (-30.0°C)	/	/	/	/	/	/	/	/	/	/
	-13°F (-25.0°C)	13093	12831	12767	12624	12510	2.55	2.57	2.57	2.58	2.59
	-4°F (-20.0°C)	15669	15356	15279	15107	14971	2.57	2.59	2.60	2.60	2.61
	0°F (-17.8°C)	17915	17557	17469	17273	17117	2.84	2.86	2.87	2.87	2.89
	5°F (-15.0°C)	20722	20308	20206	19979	19800	3.18	3.20	3.21	3.21	3.23
	14°F (-10.0°C)	22159	21716	21607	21364	21172	3.18	3.21	3.21	3.22	3.23
	17°F (-8.3°C)	22637	22185	22074	21826	21629	3.18	3.21	3.21	3.22	3.23
	22°F (-5.6°C)	22576	22124	22014	21766	21570	2.99	3.02	3.02	3.03	3.04
	27°F (-2.8°C)	22514	22064	21953	21707	21511	2.80	2.82	2.83	2.84	2.85
	32°F (0.0°C)	22452	22003	21893	21647	21452	2.61	2.63	2.64	2.64	2.65
	35°F (1.7°C)	22415	21967	21857	21611	21417	2.50	2.52	2.52	2.53	2.54
	37°F (2.8°C)	23287	22821	22707	22452	22250	2.52	2.54	2.54	2.55	2.56
	42°F (5.6°C)	25467	24958	24833	24554	24333	2.57	2.59	2.60	2.60	2.61
	44.6°F (7.0°C)	26339	25813	25684	25395	25166	2.59	2.61	2.62	2.62	2.63
	47°F (8.3°C)	27647	27095	26959	26656	26416	2.62	2.64	2.65	2.65	2.66
	52°F (11.1°C)	25669	25156	25030	24749	24526	2.52	2.54	2.54	2.55	2.56
	57°F (13.9°C)	23691	23217	23101	22841	22636	2.41	2.43	2.44	2.44	2.45
	59°F (15.0°C)	22900	22442	22330	22079	21880	2.37	2.39	2.39	2.40	2.41
62°F (16.7°C)	21713	21279	21172	20934	20746	2.31	2.33	2.33	2.34	2.35	
64.4°F (18.0°C)	20922	20503	20401	20171	19990	2.27	2.28	2.29	2.29	2.30	

Table 12 – 24K Heating — D5CURA + D5FUAA (Continued)

AIRFLOW (CFM)	HEATING PERFORMANCE AT INDOOR DRY BULB TEMPERATURE										
	OUTDOOR DB (°F (°C))	TC: Total Heating Capacity (BTU/hr)					PI: Power Input (kW)				
		Indoor Conditions (DB °F (°C))					Indoor Conditions (DB °F (°C))				
		60.8°F (16.0°C)	68°F (20.0°C)	70°F (21.1°C)	71.6°F (22.0°C)	75.2°F (24.0°C)	60.8°F (16.0°C)	68°F (20.0°C)	70°F (21.1°C)	71.6°F (22.0°C)	75.2°F (24.0°C)
759	-22°F (-30.0°C)	/	/	/	/	/	/	/	/	/	/
	-13°F (-25.0°C)	13796	13520	13452	13399	13278	2.57	2.59	2.60	2.60	2.61
	-4°F (-20.0°C)	16510	16180	16099	16035	15890	2.60	2.62	2.62	2.63	2.64
	0°F (-17.8°C)	18876	18499	18406	18333	18168	2.87	2.89	2.90	2.90	2.91
	5°F (-15.0°C)	21834	21398	21291	21206	21015	3.21	3.23	3.24	3.25	3.26
	14°F (-10.0°C)	23348	22881	22766	22675	22471	3.21	3.24	3.24	3.25	3.26
	17°F (-8.3°C)	23852	23375	23258	23165	22957	3.21	3.24	3.25	3.25	3.26
	22°F (-5.6°C)	23787	23311	23195	23102	22894	3.02	3.05	3.05	3.06	3.07
	27°F (-2.8°C)	23722	23248	23131	23039	22832	2.83	2.85	2.86	2.86	2.88
	32°F (0.0°C)	23657	23184	23068	22976	22769	2.64	2.66	2.67	2.67	2.68
	35°F (1.7°C)	23618	23146	23030	22938	22731	2.52	2.54	2.55	2.55	2.56
	37°F (2.8°C)	24537	24046	23926	23830	23616	2.54	2.56	2.57	2.57	2.59
	42°F (5.6°C)	26834	26297	26166	26061	25827	2.60	2.62	2.62	2.63	2.64
	44.6°F (7.0°C)	27753	27198	27062	26953	26711	2.62	2.64	2.64	2.65	2.66
	47°F (8.3°C)	29131	28548	28406	28292	28037	2.65	2.67	2.67	2.68	2.69
	52°F (11.1°C)	27047	26506	26373	26268	26031	2.54	2.56	2.57	2.57	2.58
	57°F (13.9°C)	24962	24463	24341	24243	24025	2.44	2.46	2.46	2.47	2.48
	59°F (15.0°C)	24129	23646	23528	23434	23223	2.39	2.41	2.42	2.42	2.43
	62°F (16.7°C)	22878	22420	22308	22219	22019	2.33	2.35	2.36	2.36	2.37
64.4°F (18.0°C)	22044	21603	21495	21409	21217	2.29	2.31	2.31	2.32	2.33	
824	-22°F (-30.0°C)	/	/	/	/	/	/	/	/	/	/
	-13°F (-25.0°C)	14536	14245	14174	14118	13990	2.60	2.62	2.62	2.63	2.64
	-4°F (-20.0°C)	17396	17048	16963	16895	16743	2.62	2.64	2.65	2.65	2.67
	0°F (-17.8°C)	19889	19492	19394	19317	19143	2.90	2.92	2.93	2.93	2.94
	5°F (-15.0°C)	23006	22546	22433	22344	22142	3.24	3.27	3.27	3.28	3.29
	14°F (-10.0°C)	24601	24109	23988	23892	23677	3.24	3.27	3.28	3.28	3.30
	17°F (-8.3°C)	25132	24630	24506	24408	24189	3.25	3.27	3.28	3.28	3.30
	22°F (-5.6°C)	25064	24562	24440	24342	24123	3.05	3.08	3.08	3.09	3.10
	27°F (-2.8°C)	24995	24495	24373	24275	24057	2.86	2.88	2.89	2.89	2.90
	32°F (0.0°C)	24926	24428	24306	24209	23991	2.67	2.69	2.69	2.70	2.71
	35°F (1.7°C)	24885	24388	24266	24169	23951	2.55	2.57	2.57	2.58	2.59
	37°F (2.8°C)	25853	25336	25210	25109	24883	2.57	2.59	2.60	2.60	2.61
	42°F (5.6°C)	28274	27708	27570	27460	27212	2.62	2.64	2.65	2.65	2.66
	44.6°F (7.0°C)	29242	28657	28514	28400	28144	2.64	2.66	2.67	2.67	2.68
	47°F (8.3°C)	30694	30080	29930	29810	29542	2.67	2.69	2.70	2.71	2.72
	52°F (11.1°C)	28498	27928	27788	27677	27428	2.57	2.59	2.59	2.60	2.61
	57°F (13.9°C)	26302	25776	25647	25544	25314	2.46	2.48	2.49	2.49	2.50
	59°F (15.0°C)	25423	24915	24790	24691	24469	2.42	2.44	2.44	2.45	2.46
	62°F (16.7°C)	24106	23624	23505	23411	23201	2.36	2.37	2.38	2.38	2.39
64.4°F (18.0°C)	23227	22763	22649	22558	22355	2.31	2.33	2.34	2.34	2.35	

Table 13 – 30K Heating — D5CURA + D5FUAA

AIRFLOW (CFM)	HEATING PERFORMANCE AT INDOOR DRY BULB TEMPERATURE										
	OUTDOOR DB °F (°C)	TC: Total Heating Capacity (BTU/hr)					PI: Power Input (kW)				
		Indoor Conditions (DB °F (°C))					Indoor Conditions (DB °F (°C))				
		60.8°F (16.0°C)	68°F (20.0°C)	70°F (21.1°C)	71.6°F (22.0°C)	75.2°F (24.0°C)	60.8°F (16.0°C)	68°F (20.0°C)	70°F (21.1°C)	71.6°F (22.0°C)	75.2°F (24.0°C)
712	-22°F (-30.0°C)	/	/	/	/	/	/	/	/	/	/
	-13°F (-25.0°C)	10130	9927	9877	9763	9675	2.70	2.72	2.73	2.73	2.74
	-4°F (-20.0°C)	12882	12625	12561	12416	12304	2.63	2.66	2.66	2.67	2.68
	0°F (-17.8°C)	14297	14011	13941	13780	13656	2.65	2.67	2.67	2.68	2.69
	5°F (-15.0°C)	16065	15744	15665	15484	15345	2.66	2.69	2.69	2.70	2.71
	14°F (-10.0°C)	17144	16801	16717	16524	16375	2.61	2.63	2.63	2.64	2.65
	17°F (-8.3°C)	17504	17154	17068	16870	16719	2.59	2.61	2.61	2.62	2.63
	22°F (-5.6°C)	17793	17437	17349	17149	16994	2.53	2.55	2.56	2.56	2.57
	27°F (-2.8°C)	18081	17720	17631	17427	17270	2.47	2.49	2.50	2.50	2.51
	32°F (0.0°C)	18370	18003	17913	17705	17546	2.42	2.44	2.44	2.45	2.46
	35°F (1.7°C)	18543	18172	18081	17872	17711	2.38	2.40	2.41	2.41	2.42
	37°F (2.8°C)	19901	19503	19405	19181	19008	2.40	2.41	2.42	2.42	2.43
	42°F (5.6°C)	23296	22830	22716	22453	22251	2.42	2.44	2.45	2.45	2.46
	44.6°F (7.0°C)	24654	24161	24040	23762	23548	2.43	2.45	2.46	2.46	2.47
	47°F (8.3°C)	26690	26157	26026	25725	25493	2.45	2.47	2.47	2.48	2.49
	52°F (11.1°C)	24335	23849	23729	23455	23244	2.25	2.27	2.27	2.28	2.29
	57°F (13.9°C)	21980	21541	21433	21185	20994	2.05	2.07	2.07	2.07	2.08
	59°F (15.0°C)	21038	20618	20514	20277	20095	1.97	1.99	1.99	1.99	2.00
62°F (16.7°C)	19625	19233	19137	18915	18745	1.85	1.86	1.87	1.87	1.88	
64.4°F (18.0°C)	18683	18310	18218	18007	17845	1.77	1.78	1.79	1.79	1.80	
806	-22°F (-30.0°C)	/	/	/	/	/	/	/	/	/	/
	-13°F (-25.0°C)	10870	10652	10599	10517	10422	2.73	2.75	2.76	2.76	2.77
	-4°F (-20.0°C)	13824	13547	13479	13374	13254	2.66	2.68	2.69	2.69	2.70
	0°F (-17.8°C)	15342	15035	14960	14843	14709	2.67	2.70	2.70	2.71	2.72
	5°F (-15.0°C)	17239	16894	16810	16679	16529	2.69	2.71	2.72	2.72	2.74
	14°F (-10.0°C)	18397	18029	17939	17799	17639	2.63	2.65	2.66	2.66	2.68
	17°F (-8.3°C)	18783	18407	18315	18172	18009	2.61	2.63	2.64	2.64	2.66
	22°F (-5.6°C)	19093	18711	18617	18472	18306	2.56	2.58	2.58	2.59	2.60
	27°F (-2.8°C)	19402	19014	18919	18772	18603	2.50	2.52	2.52	2.53	2.54
	32°F (0.0°C)	19712	19318	19221	19072	18900	2.44	2.46	2.47	2.47	2.48
	35°F (1.7°C)	19898	19500	19403	19251	19078	2.41	2.43	2.43	2.44	2.45
	37°F (2.8°C)	21355	20928	20823	20661	20475	2.42	2.44	2.44	2.45	2.46
	42°F (5.6°C)	24998	24498	24376	24186	23968	2.45	2.47	2.47	2.48	2.49
	44.6°F (7.0°C)	26455	25926	25796	25595	25365	2.46	2.48	2.48	2.49	2.50
	47°F (8.3°C)	28641	28068	27928	27710	27461	2.47	2.49	2.50	2.50	2.51
	52°F (11.1°C)	26114	25591	25463	25265	25038	2.27	2.29	2.30	2.30	2.31
	57°F (13.9°C)	23586	23115	22999	22820	22615	2.07	2.09	2.09	2.10	2.10
	59°F (15.0°C)	22576	22124	22014	21842	21645	1.99	2.01	2.01	2.01	2.02
62°F (16.7°C)	21059	20638	20535	20375	20192	1.87	1.88	1.89	1.89	1.90	
64.4°F (18.0°C)	20049	19648	19549	19397	19222	1.79	1.80	1.81	1.81	1.82	

Table 13 – 30K Heating — D5CURA + D5FUAA (Continued)

AIRFLOW (CFM)	HEATING PERFORMANCE AT INDOOR DRY BULB TEMPERATURE										
	OUTDOOR DB °F (°C)	TC: Total Heating Capacity (BTU/hr)					PI: Power Input (kW)				
		Indoor Conditions (DB °F (°C))					Indoor Conditions (DB °F (°C))				
		60.8°F (16.0°C)	68°F (20.0°C)	70°F (21.1°C)	71.6°F (22.0°C)	75.2°F (24.0°C)	60.8°F (16.0°C)	68°F (20.0°C)	70°F (21.1°C)	71.6°F (22.0°C)	75.2°F (24.0°C)
894	-22°F (-30.0°C)	/	/	/	/	/	/	/	/	/	/
	-13°F (-25.0°C)	11664	11431	11374	11328	11226	2.76	2.78	2.78	2.79	2.80
	-4°F (-20.0°C)	14834	14537	14464	14406	14277	2.69	2.71	2.71	2.72	2.73
	0°F (-17.8°C)	16463	16133	16053	15988	15845	2.70	2.72	2.73	2.73	2.75
	5°F (-15.0°C)	18499	18129	18038	17966	17804	2.72	2.74	2.75	2.75	2.76
	14°F (-10.0°C)	19741	19346	19250	19173	19000	2.66	2.68	2.69	2.69	2.70
	17°F (-8.3°C)	20155	19752	19653	19575	19399	2.64	2.66	2.67	2.67	2.68
	22°F (-5.6°C)	20488	20078	19978	19898	19719	2.58	2.60	2.61	2.61	2.62
	27°F (-2.8°C)	20820	20404	20302	20221	20039	2.52	2.54	2.55	2.56	2.57
	32°F (0.0°C)	21153	20730	20626	20543	20359	2.47	2.49	2.49	2.50	2.51
	35°F (1.7°C)	21352	20925	20820	20737	20550	2.43	2.45	2.46	2.46	2.47
	37°F (2.8°C)	22916	22457	22345	22256	22055	2.44	2.46	2.47	2.47	2.48
	42°F (5.6°C)	26825	26288	26157	26052	25818	2.47	2.49	2.50	2.50	2.51
	44.6°F (7.0°C)	28388	27820	27681	27571	27322	2.48	2.50	2.51	2.51	2.52
	47°F (8.3°C)	30734	30119	29968	29848	29580	2.50	2.52	2.52	2.53	2.54
	52°F (11.1°C)	28022	27461	27324	27215	26970	2.30	2.31	2.32	2.32	2.33
	57°F (13.9°C)	25310	24804	24680	24581	24360	2.09	2.11	2.11	2.12	2.12
	59°F (15.0°C)	24225	23741	23622	23528	23316	2.01	2.03	2.03	2.03	2.04
	62°F (16.7°C)	22598	22146	22036	21947	21750	1.89	1.90	1.91	1.91	1.92
64.4°F (18.0°C)	21513	21083	20978	20894	20706	1.81	1.82	1.82	1.83	1.83	
988	-22°F (-30.0°C)	/	/	/	/	/	/	/	/	/	/
	-13°F (-25.0°C)	12516	12266	12205	12156	12047	2.78	2.81	2.81	2.82	2.83
	-4°F (-20.0°C)	15918	15599	15521	15459	15320	2.71	2.74	2.74	2.75	2.76
	0°F (-17.8°C)	17666	17312	17226	17157	17002	2.73	2.75	2.76	2.76	2.77
	5°F (-15.0°C)	19851	19454	19356	19279	19105	2.75	2.77	2.77	2.78	2.79
	14°F (-10.0°C)	21184	20760	20656	20574	20388	2.69	2.71	2.71	2.72	2.73
	17°F (-8.3°C)	21628	21196	21090	21005	20816	2.67	2.69	2.69	2.70	2.71
	22°F (-5.6°C)	21985	21545	21437	21352	21159	2.61	2.63	2.63	2.64	2.65
	27°F (-2.8°C)	22342	21895	21785	21698	21503	2.55	2.57	2.58	2.58	2.59
	32°F (0.0°C)	22698	22244	22133	22045	21846	2.49	2.51	2.52	2.52	2.53
	35°F (1.7°C)	22912	22454	22342	22252	22052	2.46	2.48	2.48	2.49	2.50
	37°F (2.8°C)	24590	24098	23978	23882	23667	2.47	2.49	2.49	2.50	2.51
	42°F (5.6°C)	28785	28209	28068	27956	27704	2.50	2.52	2.52	2.53	2.54
	44.6°F (7.0°C)	30463	29853	29704	29585	29319	2.51	2.53	2.53	2.54	2.55
	47°F (8.3°C)	32979	32320	32158	32029	31741	2.52	2.54	2.55	2.56	2.57
	52°F (11.1°C)	30069	29468	29321	29203	28941	2.32	2.34	2.34	2.35	2.36
	57°F (13.9°C)	27159	26616	26483	26377	26140	2.11	2.13	2.13	2.14	2.15
	59°F (15.0°C)	25995	25476	25348	25247	25020	2.03	2.05	2.05	2.05	2.06
	62°F (16.7°C)	24249	23764	23646	23551	23339	1.91	1.92	1.93	1.93	1.94
64.4°F (18.0°C)	23085	22624	22511	22421	22219	1.82	1.84	1.84	1.85	1.85	

Table 14 – 36K Heating — D5CURA + D5FUAA

AIRFLOW (CFM)	HEATING PERFORMANCE AT INDOOR DRY BULB TEMPERATURE										
	OUTDOOR DB °F (°C)	TC: Total Heating Capacity (BTU/hr)					PI: Power Input (kW)				
		Indoor Conditions (DB °F (°C))					Indoor Conditions (DB °F (°C))				
		60.8°F (16.0°C)	68°F (20.0°C)	70°F (21.1°C)	71.6°F (22.0°C)	75.2°F (24.0°C)	60.8°F (16.0°C)	68°F (20.0°C)	70°F (21.1°C)	71.6°F (22.0°C)	75.2°F (24.0°C)
865	-22°F (-30.0°C)	/	/	/	/	/	/	/	/	/	/
	-13°F (-25.0°C)	15315	15009	14934	14445	14315	3.19	3.22	3.22	3.23	3.24
	-4°F (-20.0°C)	19313	18926	18832	18215	18051	3.49	3.52	3.52	3.53	3.55
	0°F (-17.8°C)	20727	20312	20210	19549	19373	3.59	3.62	3.63	3.64	3.65
	5°F (-15.0°C)	22494	22044	21934	21216	21025	3.72	3.75	3.76	3.77	3.78
	14°F (-10.0°C)	22244	21799	21690	20980	20791	3.45	3.48	3.49	3.50	3.51
	17°F (-8.3°C)	22161	21718	21609	20902	20714	3.36	3.39	3.40	3.41	3.42
	22°F (-5.6°C)	22701	22247	22135	21411	21218	3.30	3.33	3.34	3.34	3.36
	27°F (-2.8°C)	23240	22775	22661	21920	21722	3.24	3.27	3.27	3.28	3.29
	32°F (0.0°C)	23780	23304	23187	22428	22227	3.18	3.20	3.21	3.22	3.23
	35°F (1.7°C)	24103	23621	23503	22734	22529	3.14	3.16	3.17	3.18	3.19
	37°F (2.8°C)	25924	25405	25278	24450	24230	3.18	3.21	3.22	3.22	3.24
	42°F (5.6°C)	30474	29865	29715	28742	28484	3.30	3.32	3.33	3.33	3.35
	44.6°F (7.0°C)	32294	31648	31490	30459	30185	3.34	3.37	3.37	3.38	3.39
	47°F (8.3°C)	35025	34324	34152	33034	32737	3.41	3.43	3.44	3.45	3.46
	52°F (11.1°C)	34003	33323	33156	32071	31782	3.17	3.19	3.20	3.21	3.22
	57°F (13.9°C)	32981	32322	32160	31107	30827	2.93	2.95	2.96	2.96	2.98
	59°F (15.0°C)	32573	31921	31762	30722	30445	2.83	2.86	2.86	2.87	2.88
62°F (16.7°C)	31960	31321	31164	30144	29872	2.69	2.71	2.72	2.72	2.73	
64.4°F (18.0°C)	31551	30920	30765	29758	29490	2.59	2.61	2.62	2.63	2.64	
970	-22°F (-30.0°C)	/	/	/	/	/	/	/	/	/	/
	-13°F (-25.0°C)	16315	15989	15909	15615	15474	3.22	3.25	3.25	3.26	3.27
	-4°F (-20.0°C)	20573	20162	20061	19690	19513	3.52	3.55	3.56	3.57	3.58
	0°F (-17.8°C)	22079	21638	21530	21132	20942	3.63	3.66	3.67	3.67	3.69
	5°F (-15.0°C)	23962	23483	23365	22934	22727	3.76	3.79	3.80	3.81	3.82
	14°F (-10.0°C)	23696	23222	23106	22679	22475	3.49	3.52	3.52	3.53	3.55
	17°F (-8.3°C)	23607	23135	23020	22594	22391	3.40	3.43	3.43	3.44	3.45
	22°F (-5.6°C)	24182	23698	23580	23144	22936	3.34	3.36	3.37	3.38	3.39
	27°F (-2.8°C)	24757	24262	24140	23694	23481	3.27	3.30	3.31	3.31	3.33
	32°F (0.0°C)	25332	24825	24701	24244	24026	3.21	3.23	3.24	3.25	3.26
	35°F (1.7°C)	25676	25163	25037	24575	24353	3.17	3.20	3.20	3.21	3.22
	37°F (2.8°C)	27615	27063	26928	26430	26192	3.22	3.24	3.25	3.25	3.27
	42°F (5.6°C)	32463	31814	31655	31070	30790	3.33	3.36	3.36	3.37	3.38
	44.6°F (7.0°C)	34402	33714	33545	32926	32629	3.37	3.40	3.41	3.41	3.43
	47°F (8.3°C)	37310	36564	36381	35709	35388	3.44	3.47	3.48	3.48	3.50
	52°F (11.1°C)	36222	35498	35320	34668	34356	3.20	3.23	3.23	3.24	3.25
	57°F (13.9°C)	35134	34431	34259	33626	33323	2.96	2.98	2.99	2.99	3.01
	59°F (15.0°C)	34699	34005	33835	33209	32911	2.86	2.88	2.89	2.90	2.91
62°F (16.7°C)	34046	33365	33198	32585	32291	2.72	2.74	2.74	2.75	2.76	
64.4°F (18.0°C)	33610	32938	32773	32168	31878	2.62	2.64	2.65	2.65	2.66	

Table 14 – 36K Heating — D5CURA + D5FUAA (Continued)

AIRFLOW (CFM)	HEATING PERFORMANCE AT INDOOR DRY BULB TEMPERATURE										
	OUTDOOR DB °F (°C)	TC: Total Heating Capacity (BTU/hr)					PI: Power Input (kW)				
		Indoor Conditions (DB °F (°C))					Indoor Conditions (DB °F (°C))				
		60.8°F (16.0°C)	68°F (20.0°C)	70°F (21.1°C)	71.6°F (22.0°C)	75.2°F (24.0°C)	60.8°F (16.0°C)	68°F (20.0°C)	70°F (21.1°C)	71.6°F (22.0°C)	75.2°F (24.0°C)
1080	-22°F (-30.0°C)	/	/	/	/	/	/	/	/	/	/
	-13°F (-25.0°C)	17380	17032	16947	16879	16727	3.25	3.28	3.29	3.29	3.31
	-4°F (-20.0°C)	21916	21478	21370	21285	21093	3.56	3.59	3.60	3.60	3.62
	0°F (-17.8°C)	23520	23050	22935	22843	22637	3.67	3.70	3.70	3.71	3.73
	5°F (-15.0°C)	25526	25015	24890	24791	24568	3.80	3.83	3.84	3.85	3.86
	14°F (-10.0°C)	25242	24738	24614	24515	24295	3.52	3.55	3.56	3.57	3.58
	17°F (-8.3°C)	25148	24645	24522	24424	24204	3.43	3.46	3.47	3.47	3.49
	22°F (-5.6°C)	25760	25245	25119	25018	24793	3.37	3.40	3.40	3.41	3.42
	27°F (-2.8°C)	26373	25845	25716	25613	25382	3.31	3.33	3.34	3.35	3.36
	32°F (0.0°C)	26985	26445	26313	26208	25972	3.24	3.27	3.27	3.28	3.29
	35°F (1.7°C)	27352	26805	26671	26564	26325	3.20	3.23	3.24	3.24	3.25
	37°F (2.8°C)	29418	28829	28685	28570	28313	3.25	3.27	3.28	3.29	3.30
	42°F (5.6°C)	34582	33890	33721	33586	33283	3.36	3.39	3.40	3.40	3.42
	44.6°F (7.0°C)	36647	35914	35735	35592	35271	3.41	3.43	3.44	3.45	3.46
	47°F (8.3°C)	39745	38951	38756	38601	38253	3.48	3.50	3.51	3.52	3.53
	52°F (11.1°C)	38586	37814	37625	37475	37138	3.23	3.26	3.26	3.27	3.28
	57°F (13.9°C)	37427	36678	36495	36349	36022	2.99	3.01	3.02	3.02	3.04
	59°F (15.0°C)	36963	36224	36043	35899	35575	2.89	2.91	2.92	2.93	2.94
62°F (16.7°C)	36268	35542	35364	35223	34906	2.74	2.77	2.77	2.78	2.79	
64.4°F (18.0°C)	35804	35088	34912	34773	34460	2.65	2.67	2.67	2.68	2.69	
1185	-22°F (-30.0°C)	/	/	/	/	/	/	/	/	/	/
	-13°F (-25.0°C)	18514	18144	18053	17981	17819	3.29	3.31	3.32	3.33	3.34
	-4°F (-20.0°C)	23346	22879	22765	22674	22470	3.60	3.62	3.63	3.64	3.65
	0°F (-17.8°C)	25055	24554	24431	24334	24115	3.70	3.73	3.74	3.75	3.76
	5°F (-15.0°C)	27192	26648	26515	26409	26171	3.84	3.87	3.88	3.88	3.90
	14°F (-10.0°C)	26890	26352	26220	26115	25880	3.56	3.59	3.60	3.60	3.62
	17°F (-8.3°C)	26789	26254	26122	26018	25784	3.47	3.50	3.50	3.51	3.52
	22°F (-5.6°C)	27442	26893	26758	26651	26411	3.40	3.43	3.44	3.44	3.46
	27°F (-2.8°C)	28094	27532	27394	27285	27039	3.34	3.37	3.37	3.38	3.39
	32°F (0.0°C)	28746	28171	28030	27918	27667	3.27	3.30	3.31	3.31	3.33
	35°F (1.7°C)	29137	28554	28412	28298	28043	3.24	3.26	3.27	3.27	3.29
	37°F (2.8°C)	31338	30711	30557	30435	30161	3.28	3.31	3.31	3.32	3.33
	42°F (5.6°C)	36839	36102	35921	35778	35456	3.40	3.42	3.43	3.44	3.45
	44.6°F (7.0°C)	39039	38258	38067	37915	37573	3.44	3.47	3.48	3.48	3.50
	47°F (8.3°C)	42339	41493	41285	41120	40750	3.51	3.54	3.55	3.55	3.57
	52°F (11.1°C)	41104	40282	40081	39921	39561	3.26	3.29	3.30	3.30	3.32
	57°F (13.9°C)	39869	39072	38877	38721	38373	3.02	3.04	3.05	3.05	3.07
	59°F (15.0°C)	39375	38588	38395	38241	37897	2.92	2.94	2.95	2.95	2.97
62°F (16.7°C)	38634	37862	37672	37522	37184	2.77	2.79	2.80	2.81	2.82	
64.4°F (18.0°C)	38140	37378	37191	37042	36709	2.67	2.69	2.70	2.71	2.72	

Table 15 – 48K Heating — D5CURA + D5FUAA

AIRFLOW (CFM)	HEATING PERFORMANCE AT INDOOR DRY BULB TEMPERATURE										
	OUTDOOR DB °F (°C)	TC: Total Heating Capacity (BTU/hr)					PI: Power Input (kW)				
		Indoor Conditions (DB °F (°C))					Indoor Conditions (DB °F (°C))				
		60.8°F (16.0°C)	68°F (20.0°C)	70°F (21.1°C)	71.6°F (22.0°C)	75.2°F (24.0°C)	60.8°F (16.0°C)	68°F (20.0°C)	70°F (21.1°C)	71.6°F (22.0°C)	75.2°F (24.0°C)
1094	-22°F (-30.0°C)	/	/	/	/	/	/	/	/	/	/
	-13°F (-25.0°C)	28305	27739	27600	24743	24521	5.62	5.66	5.67	5.69	5.71
	-4°F (-20.0°C)	31244	30619	30466	27313	27067	5.67	5.71	5.72	5.74	5.76
	0°F (-17.8°C)	34045	33364	33197	29762	29494	5.79	5.84	5.85	5.86	5.89
	5°F (-15.0°C)	37547	36796	36612	32822	32527	5.95	6.00	6.01	6.02	6.05
	14°F (-10.0°C)	35910	35192	35016	31392	31109	5.58	5.62	5.64	5.65	5.67
	17°F (-8.3°C)	35365	34657	34484	30915	30637	5.46	5.50	5.51	5.52	5.54
	22°F (-5.6°C)	33018	32358	32196	28864	28604	5.06	5.10	5.11	5.12	5.14
	27°F (-2.8°C)	30672	30059	29909	26813	26572	4.66	4.69	4.70	4.71	4.73
	32°F (0.0°C)	28326	27760	27621	24762	24539	4.26	4.29	4.30	4.31	4.33
	35°F (1.7°C)	26918	26380	26248	23531	23320	4.02	4.05	4.06	4.06	4.08
	37°F (2.8°C)	29611	29018	28873	25885	25652	4.09	4.12	4.13	4.14	4.16
	42°F (5.6°C)	36341	35614	35436	31769	31483	4.28	4.31	4.32	4.33	4.35
	44.6°F (7.0°C)	39033	38253	38061	34122	33815	4.35	4.39	4.40	4.41	4.42
	47°F (8.3°C)	43072	42210	41999	37652	37313	4.47	4.50	4.51	4.52	4.54
	52°F (11.1°C)	42053	41212	41006	36762	36431	4.02	4.05	4.06	4.07	4.08
	57°F (13.9°C)	41034	40213	40012	35871	35548	3.57	3.60	3.61	3.61	3.63
	59°F (15.0°C)	40626	39814	39615	35514	35195	3.39	3.42	3.42	3.43	3.44
	62°F (16.7°C)	40015	39214	39018	34980	34665	3.12	3.15	3.15	3.16	3.17
64.4°F (18.0°C)	39607	38815	38621	34624	34312	2.94	2.97	2.97	2.98	2.99	
1282	-22°F (-30.0°C)	/	/	/	/	/	/	/	/	/	/
	-13°F (-25.0°C)	29899	29301	29154	27549	27301	5.67	5.72	5.73	5.74	5.77
	-4°F (-20.0°C)	33003	32343	32182	30410	30136	5.72	5.77	5.78	5.79	5.82
	0°F (-17.8°C)	35962	35243	35067	33136	32838	5.85	5.90	5.91	5.92	5.95
	5°F (-15.0°C)	39661	38868	38673	36544	36215	6.01	6.06	6.07	6.08	6.11
	14°F (-10.0°C)	37932	37174	36988	34951	34637	5.64	5.68	5.69	5.70	5.73
	17°F (-8.3°C)	37356	36609	36426	34420	34111	5.51	5.56	5.57	5.58	5.60
	22°F (-5.6°C)	34878	34180	34009	32137	31848	5.11	5.15	5.16	5.17	5.19
	27°F (-2.8°C)	32399	31751	31593	29853	29585	4.70	4.74	4.75	4.76	4.78
	32°F (0.0°C)	29921	29323	29176	27570	27322	4.30	4.33	4.34	4.35	4.37
	35°F (1.7°C)	28434	27865	27726	26200	25964	4.06	4.09	4.10	4.11	4.12
	37°F (2.8°C)	31278	30652	30499	28820	28561	4.13	4.17	4.17	4.18	4.20
	42°F (5.6°C)	38388	37620	37432	35371	35052	4.32	4.36	4.37	4.37	4.39
	44.6°F (7.0°C)	41231	40407	40205	37991	37649	4.40	4.43	4.44	4.45	4.47
	47°F (8.3°C)	45497	44587	44364	41922	41544	4.51	4.55	4.56	4.57	4.58
	52°F (11.1°C)	44421	43532	43315	40930	40561	4.06	4.09	4.10	4.11	4.12
	57°F (13.9°C)	43344	42477	42265	39938	39579	3.61	3.63	3.64	3.65	3.66
	59°F (15.0°C)	42914	42056	41845	39541	39185	3.42	3.45	3.46	3.47	3.48
	62°F (16.7°C)	42268	41423	41216	38946	38596	3.15	3.18	3.18	3.19	3.20
64.4°F (18.0°C)	41837	41001	40796	38550	38203	2.97	3.00	3.00	3.01	3.02	

Table 15 – 48K Heating — D5CURA + D5FUAA (Continued)

AIRFLOW (CFM)	HEATING PERFORMANCE AT INDOOR DRY BULB TEMPERATURE										
	OUTDOOR DB °F (°C)	TC: Total Heating Capacity (BTU/hr)					PI: Power Input (kW)				
		Indoor Conditions (DB °F (°C))					Indoor Conditions (DB °F (°C))				
		60.8°F (16.0°C)	68°F (20.0°C)	70°F (21.1°C)	71.6°F (22.0°C)	75.2°F (24.0°C)	60.8°F (16.0°C)	68°F (20.0°C)	70°F (21.1°C)	71.6°F (22.0°C)	75.2°F (24.0°C)
1471	-22°F (-30.0°C)	/	/	/	/	/	/	/	/	/	/
	-13°F (-25.0°C)	31582	30951	30796	30673	30397	5.73	5.78	5.79	5.80	5.82
	-4°F (-20.0°C)	34862	34165	33994	33858	33553	5.78	5.83	5.84	5.85	5.88
	0°F (-17.8°C)	37987	37228	37041	36893	36561	5.91	5.96	5.97	5.98	6.01
	5°F (-15.0°C)	41894	41056	40851	40688	40322	6.07	6.12	6.13	6.14	6.17
	14°F (-10.0°C)	40068	39267	39071	38914	38564	5.69	5.74	5.75	5.76	5.79
	17°F (-8.3°C)	39460	38670	38477	38323	37978	5.57	5.61	5.62	5.63	5.66
	22°F (-5.6°C)	36842	36105	35924	35781	35459	5.16	5.20	5.21	5.22	5.24
	27°F (-2.8°C)	34224	33539	33372	33238	32939	4.75	4.79	4.80	4.81	4.83
	32°F (0.0°C)	31606	30974	30819	30696	30419	4.34	4.38	4.39	4.40	4.41
	35°F (1.7°C)	30035	29435	29287	29170	28908	4.10	4.13	4.14	4.15	4.16
	37°F (2.8°C)	33039	32378	32217	32088	31799	4.17	4.21	4.22	4.22	4.24
	42°F (5.6°C)	40549	39738	39540	39381	39027	4.37	4.40	4.41	4.42	4.44
	44.6°F (7.0°C)	43553	42682	42469	42299	41918	4.44	4.48	4.49	4.50	4.51
	47°F (8.3°C)	48059	47098	46862	46675	46255	4.56	4.59	4.60	4.61	4.63
	52°F (11.1°C)	46922	45984	45754	45571	45161	4.10	4.13	4.14	4.15	4.17
	57°F (13.9°C)	45785	44869	44645	44466	44066	3.64	3.67	3.68	3.69	3.70
	59°F (15.0°C)	45330	44424	44202	44025	43629	3.46	3.49	3.49	3.50	3.51
	62°F (16.7°C)	44648	43755	43536	43362	42972	3.18	3.21	3.22	3.22	3.24
64.4°F (18.0°C)	44193	43309	43093	42921	42534	3.00	3.03	3.03	3.04	3.05	
1600	-22°F (-30.0°C)	/	/	/	/	/	/	/	/	/	/
	-13°F (-25.0°C)	33361	32693	32530	32400	32108	5.79	5.84	5.85	5.86	5.88
	-4°F (-20.0°C)	36825	36088	35908	35764	35442	5.84	5.89	5.90	5.91	5.94
	0°F (-17.8°C)	40126	39324	39127	38971	38620	5.97	6.02	6.03	6.04	6.07
	5°F (-15.0°C)	44253	43368	43152	42979	42592	6.13	6.18	6.19	6.21	6.23
	14°F (-10.0°C)	42325	41478	41271	41106	40736	5.75	5.80	5.81	5.82	5.84
	17°F (-8.3°C)	41682	40848	40644	40481	40117	5.62	5.67	5.68	5.69	5.71
	22°F (-5.6°C)	38916	38138	37947	37796	37455	5.21	5.25	5.26	5.27	5.30
	27°F (-2.8°C)	36151	35428	35251	35110	34794	4.80	4.84	4.85	4.86	4.88
	32°F (0.0°C)	33386	32718	32554	32424	32132	4.39	4.42	4.43	4.44	4.46
	35°F (1.7°C)	31727	31092	30937	30813	30536	4.14	4.17	4.18	4.19	4.21
	37°F (2.8°C)	34900	34202	34031	33895	33590	4.22	4.25	4.26	4.27	4.28
	42°F (5.6°C)	42833	41976	41766	41599	41225	4.41	4.45	4.45	4.46	4.48
	44.6°F (7.0°C)	46006	45086	44860	44681	44279	4.49	4.52	4.53	4.54	4.56
	47°F (8.3°C)	50765	49750	49501	49303	48860	4.60	4.64	4.65	4.66	4.68
	52°F (11.1°C)	49564	48573	48330	48137	47704	4.14	4.17	4.18	4.19	4.21
	57°F (13.9°C)	48363	47396	47159	46970	46548	3.68	3.71	3.72	3.72	3.74
	59°F (15.0°C)	47883	46925	46691	46504	46085	3.49	3.52	3.53	3.54	3.55
	62°F (16.7°C)	47162	46219	45988	45804	45392	3.22	3.24	3.25	3.26	3.27
64.4°F (18.0°C)	46682	45748	45519	45337	44929	3.03	3.06	3.06	3.07	3.08	

Table 16 – 60K Heating — D5CURA + D5FUAA

AIRFLOW (CFM)	HEATING PERFORMANCE AT INDOOR DRY BULB TEMPERATURE										
	OUTDOOR DB °F (°C)	TC: Total Heating Capacity (BTU/hr)					PI: Power Input (kW)				
		Indoor Conditions (DB °F (°C))					Indoor Conditions (DB °F (°C))				
		60.8°F (16.0°C)	68°F (20.0°C)	70°F (21.1°C)	71.6°F (22.0°C)	75.2°F (24.0°C)	60.8°F (16.0°C)	68°F (20.0°C)	70°F (21.1°C)	71.6°F (22.0°C)	75.2°F (24.0°C)
1135	-22°F (-30.0°C)	/	/	/	/	/	/	/	/	/	/
	-13°F (-25.0°C)	23207	22743	22629	21648	21453	5.25	5.29	5.30	5.31	5.33
	-4°F (-20.0°C)	26836	26300	26168	25034	24808	5.61	5.65	5.66	5.67	5.70
	0°F (-17.8°C)	28801	28225	28084	26867	26625	5.76	5.81	5.82	5.83	5.85
	5°F (-15.0°C)	31258	30633	30480	29158	28896	5.95	6.00	6.01	6.02	6.05
	14°F (-10.0°C)	33073	32412	32250	30852	30574	5.96	6.01	6.02	6.03	6.06
	17°F (-8.3°C)	33678	33005	32840	31416	31133	5.97	6.01	6.03	6.04	6.06
	22°F (-5.6°C)	33083	32422	32260	30861	30583	5.76	5.81	5.82	5.83	5.85
	27°F (-2.8°C)	32488	31838	31679	30306	30033	5.55	5.60	5.61	5.62	5.64
	32°F (0.0°C)	31893	31255	31099	29750	29483	5.35	5.39	5.40	5.41	5.43
	35°F (1.7°C)	31536	30905	30751	29417	29153	5.22	5.26	5.27	5.29	5.31
	37°F (2.8°C)	33364	32697	32533	31123	30843	5.12	5.16	5.17	5.18	5.20
	42°F (5.6°C)	37935	37177	36991	35387	35069	4.87	4.91	4.92	4.93	4.95
	44.6°F (7.0°C)	39764	38969	38774	37093	36759	4.77	4.81	4.82	4.83	4.85
	47°F (8.3°C)	42506	41656	41448	39651	39294	4.62	4.66	4.67	4.68	4.70
	52°F (11.1°C)	42640	41788	41579	39776	39418	4.30	4.34	4.35	4.36	4.37
	57°F (13.9°C)	42774	41919	41709	39901	39542	3.98	4.02	4.02	4.03	4.05
	59°F (15.0°C)	42828	41971	41761	39951	39591	3.86	3.89	3.90	3.90	3.92
62°F (16.7°C)	42908	42050	41840	40026	39666	3.66	3.69	3.70	3.71	3.72	
64.4°F (18.0°C)	42962	42102	41892	40076	39715	3.54	3.57	3.57	3.58	3.59	
1359	-22°F (-30.0°C)	/	/	/	/	/	/	/	/	/	/
	-13°F (-25.0°C)	25714	25199	25073	24475	24255	5.30	5.34	5.35	5.37	5.39
	-4°F (-20.0°C)	29735	29141	28995	28303	28048	5.66	5.71	5.72	5.73	5.76
	0°F (-17.8°C)	31913	31274	31118	30375	30102	5.82	5.87	5.88	5.89	5.91
	5°F (-15.0°C)	34635	33942	33772	32966	32669	6.01	6.06	6.07	6.08	6.11
	14°F (-10.0°C)	36646	35913	35734	34880	34566	6.02	6.07	6.08	6.10	6.12
	17°F (-8.3°C)	37317	36570	36387	35519	35199	6.03	6.08	6.09	6.10	6.12
	22°F (-5.6°C)	36657	35924	35744	34891	34577	5.82	5.86	5.88	5.89	5.91
	27°F (-2.8°C)	35998	35278	35101	34263	33955	5.61	5.65	5.67	5.68	5.70
	32°F (0.0°C)	35338	34631	34458	33635	33333	5.40	5.44	5.45	5.47	5.49
	35°F (1.7°C)	34942	34244	34072	33259	32959	5.27	5.32	5.33	5.34	5.36
	37°F (2.8°C)	36968	36229	36048	35187	34870	5.17	5.22	5.23	5.24	5.26
	42°F (5.6°C)	42033	41193	40987	40008	39648	4.92	4.96	4.97	4.98	5.00
	44.6°F (7.0°C)	44059	43178	42962	41936	41559	4.82	4.86	4.87	4.88	4.90
	47°F (8.3°C)	47098	46156	45925	44829	44425	4.67	4.71	4.72	4.73	4.75
	52°F (11.1°C)	47246	46302	46070	44970	44565	4.35	4.38	4.39	4.40	4.42
	57°F (13.9°C)	47395	46447	46215	45111	44705	4.02	4.06	4.07	4.07	4.09
	59°F (15.0°C)	47454	46505	46273	45168	44761	3.90	3.93	3.93	3.94	3.96
62°F (16.7°C)	47543	46592	46359	45253	44845	3.70	3.73	3.74	3.75	3.76	
64.4°F (18.0°C)	47603	46651	46417	45309	44901	3.57	3.60	3.61	3.62	3.63	

Table 16 – 60K Heating — D5CURA + D5FUAA (Continued)

AIRFLOW (CFM)	HEATING PERFORMANCE AT INDOOR DRY BULB TEMPERATURE										
	OUTDOOR DB °F (°C)	TC: Total Heating Capacity (BTU/hr)					PI: Power Input (kW)				
		Indoor Conditions (DB °F (°C))					Indoor Conditions (DB °F (°C))				
		60.8°F (16.0°C)	68°F (20.0°C)	70°F (21.1°C)	71.6°F (22.0°C)	75.2°F (24.0°C)	60.8°F (16.0°C)	68°F (20.0°C)	70°F (21.1°C)	71.6°F (22.0°C)	75.2°F (24.0°C)
1582	-22°F (-30.0°C)	/	/	/	/	/	/	/	/	/	/
	-13°F (-25.0°C)	28491	27922	27782	27671	27422	5.35	5.40	5.41	5.42	5.44
	-4°F (-20.0°C)	32947	32288	32127	31998	31710	5.72	5.77	5.78	5.79	5.81
	0°F (-17.8°C)	35360	34653	34480	34342	34033	5.88	5.92	5.94	5.95	5.97
	5°F (-15.0°C)	38376	37608	37420	37271	36935	6.07	6.12	6.13	6.15	6.17
	14°F (-10.0°C)	40605	39793	39594	39435	39080	6.08	6.13	6.14	6.16	6.18
	17°F (-8.3°C)	41348	40521	40318	40157	39795	6.09	6.14	6.15	6.16	6.19
	22°F (-5.6°C)	40617	39805	39606	39447	39092	5.88	5.92	5.94	5.95	5.97
	27°F (-2.8°C)	39886	39088	38893	38737	38389	5.67	5.71	5.72	5.73	5.76
	32°F (0.0°C)	39155	38372	38180	38028	37685	5.45	5.50	5.51	5.52	5.54
	35°F (1.7°C)	38717	37943	37753	37602	37263	5.33	5.37	5.38	5.39	5.41
	37°F (2.8°C)	40962	40143	39942	39782	39424	5.23	5.27	5.28	5.29	5.31
	42°F (5.6°C)	46574	45642	45414	45232	44825	4.97	5.01	5.02	5.03	5.05
	44.6°F (7.0°C)	48819	47842	47603	47413	46986	4.87	4.91	4.92	4.93	4.95
	47°F (8.3°C)	52186	51142	50886	50683	50227	4.72	4.76	4.76	4.77	4.79
	52°F (11.1°C)	52350	51303	51047	50843	50385	4.39	4.43	4.44	4.44	4.46
	57°F (13.9°C)	52515	51464	51207	51002	50543	4.07	4.10	4.11	4.11	4.13
	59°F (15.0°C)	52580	51529	51271	51066	50606	3.93	3.97	3.97	3.98	4.00
62°F (16.7°C)	52679	51625	51367	51162	50701	3.74	3.77	3.78	3.78	3.80	
64.4°F (18.0°C)	52745	51690	51431	51226	50765	3.61	3.64	3.65	3.65	3.67	
1806	-22°F (-30.0°C)	/	/	/	/	/	/	/	/	/	/
	-13°F (-25.0°C)	31569	30938	30783	30660	30384	5.41	5.45	5.46	5.47	5.50
	-4°F (-20.0°C)	36506	35776	35597	35455	35136	5.78	5.83	5.84	5.85	5.87
	0°F (-17.8°C)	39180	38396	38204	38051	37709	5.94	5.98	6.00	6.01	6.03
	5°F (-15.0°C)	42521	41671	41463	41297	40925	6.13	6.18	6.20	6.21	6.23
	14°F (-10.0°C)	44991	44091	43871	43695	43302	6.14	6.19	6.21	6.22	6.24
	17°F (-8.3°C)	45814	44898	44673	44495	44094	6.15	6.20	6.21	6.22	6.25
	22°F (-5.6°C)	45004	44104	43884	43708	43315	5.94	5.98	6.00	6.01	6.03
	27°F (-2.8°C)	44195	43311	43094	42922	42536	5.72	5.77	5.78	5.79	5.82
	32°F (0.0°C)	43385	42517	42305	42136	41756	5.51	5.55	5.57	5.58	5.60
	35°F (1.7°C)	42899	42041	41831	41664	41289	5.38	5.43	5.44	5.45	5.47
	37°F (2.8°C)	45387	44479	44256	44079	43683	5.28	5.32	5.33	5.34	5.36
	42°F (5.6°C)	51605	50573	50320	50119	49668	5.02	5.06	5.07	5.08	5.10
	44.6°F (7.0°C)	54092	53010	52745	52534	52061	4.92	4.96	4.97	4.98	5.00
	47°F (8.3°C)	57823	56667	56383	56158	55652	4.76	4.80	4.81	4.82	4.84
	52°F (11.1°C)	58005	56845	56561	56335	55828	4.44	4.47	4.48	4.49	4.51
	57°F (13.9°C)	58187	57024	56739	56512	56003	4.11	4.14	4.15	4.16	4.17
	59°F (15.0°C)	58260	57095	56810	56582	56073	3.97	4.01	4.01	4.02	4.04
62°F (16.7°C)	58370	57202	56916	56689	56178	3.78	3.81	3.82	3.82	3.84	
64.4°F (18.0°C)	58442	57274	56987	56759	56248	3.65	3.67	3.68	3.69	3.70	

## APPLICATION DATA

### UNIT SELECTION

Select equipment that either matches or supports slightly more than the anticipated peak load. This provides better humidity control, fewer unit cycles, and less part-load operation.

For units used in spaces with high sensible loads, base equipment selection on unit sensible load, not on total anticipated load. Adjust for anticipated room wet bulb temperature to avoid undersizing the equipment.

### UNIT MOUNTING (OUTDOOR)

Refer to the unit's installation instructions for further details.

**Unit leveling** – For reliable operation, the units should be level in all planes.

**Clearance** – Minimum clearance (Fig. 6) must be provided for airflow. The condensing units are designed for free-flow application. Air inlets and outlets should not be restricted.

**Unit location** – A location which is convenient to installation and not exposed to strong winds. A location that can bear the weight of the outdoor unit and where the outdoor unit can be mounted in a level position.

Do not install the indoor or outdoor units in a location with special environmental conditions. For those applications, contact your sales representative.

### OPERATING RANGE MIN/MAX °F / °C

#### All High Heat Units:

- **Cooling:** -13/130 (-25/55)
- **Heating:** -13/86 (-25/30)

**NOTE:** Without intervention, the unit may continue to run at temperatures outside of the specified operating temperatures. However, operation outside of the specified temperature range may result in decreased performance and may cause damage to the unit.

### METERING DEVICES

The outdoor unit has an electronic expansion valve to manage the refrigerant flow of the connected fan coil.

### DRAIN CONNECTIONS

Install the drains in accordance with the local sanitation codes.

### REFRIGERANT LINES

#### General refrigerant line sizing:

1. The outdoor units are shipped with a full charge of R-454B refrigerant. All charges, line sizing, and capacities are based on runs of 25 ft. (7.6 m). For runs over 25 ft. (7.6 m), review Additional Refrigerant Charge in Table 4 for the proper charge adjustments.
2. Refrigerant lines should not be buried in the ground. If it is necessary to bury the lines, do not bury the lines more than 36-in (914 mm). Provide a minimum 6-in (152 mm) vertical rise to the service valves to prevent refrigerant migration.
3. Both lines must be insulated. Use a minimum of 1/2-in. (12.7 mm) thick insulation. Closed-cell insulation is recommended in all long line applications.

4. Special consideration should be given to isolating the interconnecting tubing from the building structure. Isolate the tubing so vibration or noise is not transmitted into the structure.

### WIRING

All wires must be sized per NEC (National Electrical Code) or CEC (Canadian Electrical Code) and local codes. Use Electrical Data table MCA (minimum circuit amps) and MOCP (maximum over current protection) to correctly size the wires and the disconnect fuse or breakers respectively.

#### Power Wiring

1. Remove the electric cover of the outdoor unit.
2. Connect the fork terminal to the terminals.
3. Match the wire labels with the labels on the terminal block.
4. Firmly screw the fork terminal of each wire to its corresponding terminal.
5. Insulate unused wires with electrical tape. Keep them away from any electrical or metal parts.
6. Reinstall the cover of the electric control box.

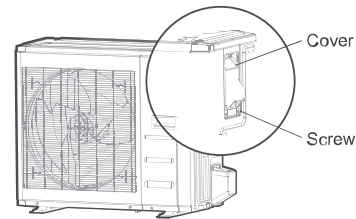


Fig. 8 – Remove Electrical Cover

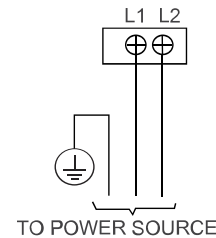


Fig. 9 – Match Fork Terminal to Terminal Labels

### Communication Wiring

There are two options available to establish communications between the outdoor unit and approved indoor unit.

Table 17 — Communication Wiring

Options	Communication Type	Recommended Cable Size
1	Non-Polarity RS485 Communications (S1 - S2)	16 AWG (stranded shielded)
2	24V Communication	18 AWG 8-conductor thermostat wire

# SPECIFIC WIRING METHODS



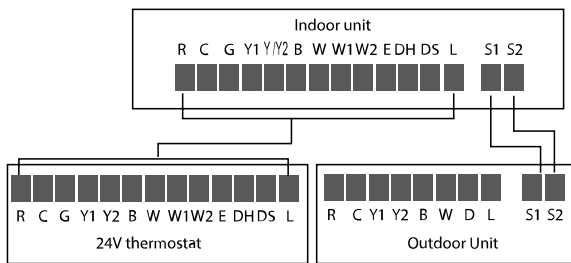
Refer to the wiring nameplate for the wiring method. Do not connect 24V AC to S1 - S2, as this will damage the system.

## SCENARIO 1:

This is the preferred method of control. This allows a 24 volt thermostat to be used with RS485 communication between the indoor and outdoor units. None of the 24 volt terminals in the outdoor unit can be used with this scenario.

- The **B** terminal and **W** terminal should not be used together at the indoor unit at the air handler.
- **W** should only be used with a conventional thermostat for the heat demand at the air handler.
- **DS** is a reserve Terminal.

To use a 24V thermostat, Refer to the following wiring:



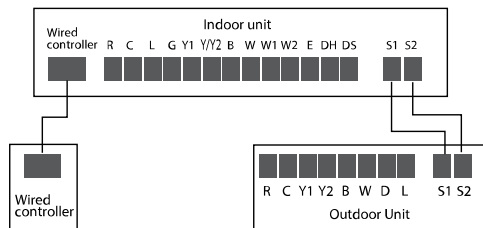
**Fig. 10 —Scenario 1**

## SCENARIO 2 (DEFAULT):

This allows the KSACN1401AAA wired controller to be used with RS485 communication between indoor and outdoor units.

- None of the 24 volt terminals at the air handler or outdoor unit can be used for this scenario
- Using the 1401 wired controller allows for the system to be fully communicating.
- Refer to the 1401 wired controller Owner's Manual for wired controller operating information.

Refer to the wiring method of indoor and outdoor unit communication and wired controller as follows:



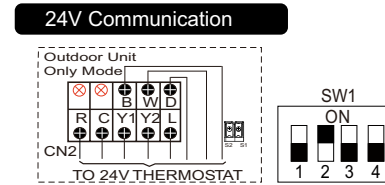
**Fig. 11 —Scenario 2 (Default)**

## SCENARIO 3:

This allows a 24 volt thermostat to be used with 24 volt communication between the indoor and outdoor units. Some communication features will not be available with this method.

**NOTE: This equipment energizes the reversing valve in heat. Ensure that the B terminal is configured at the thermostat for heat.**

**NOTE: This method can be used for a D5CURA outdoor unit and a third party indoor unit or cased coil and gas furnace.**

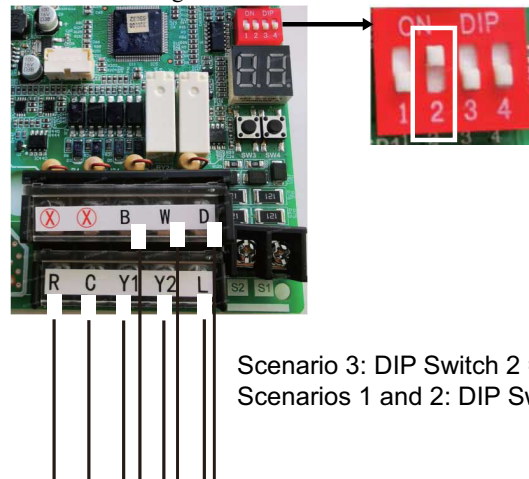


**Fig. 12 —Scenario 3 Wiring to Outdoor Unit**

**NOTE: DIP switch 2 in the outdoor unit must be turned on for Scenario 3 and Crossover applications. Leave off for the other 2 scenarios.**

**NOTE: The 24 volt wire terminals in the outdoor unit should only be used for Scenario 3. S1 and S2 should only be used for Scenarios 1 and 2**

24V must never be connected to S1 – S2. All wiring must be in compliance with the above scenarios. Incorrect wiring will cause irreversible damage to control.



Scenario 3: DIP Switch 2 = ON.  
Scenarios 1 and 2: DIP Switch 2 = OFF.

**Fig. 13 —24V Connection Dip Switch Setting (as shown in Fig 25)**

The SW3 button is not active.

SW4 button should be used for point check inquiry and forced defrost.

**NOTE: The use of shielded communication or thermostat wire is not required, but is recommended where separation from high voltage conductors can not be maintained, or in areas with high electrical noise. The shield must be grounded at the outdoor unit and stripped back and taped at the indoor unit. Grounding at both ends results in an increase of noise transmitted onto the signal wires.**

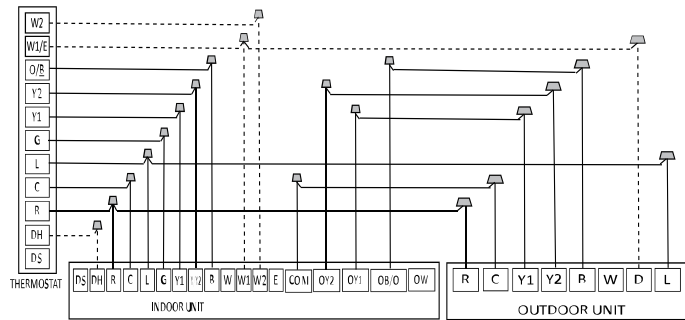
**Table 18 – Terminal Functions**

<b>R</b>	24V Power Connection
<b>C</b>	Common
<b>Y1</b>	Low Demand
<b>Y2</b>	High Demand
<b>B</b>	Heating Reversing Valve
<b>W</b>	Heating Control
<b>D</b>	Defrost (24V Output Signal)
<b>L</b>	System Fault (24V Output Signal)

**NOTE:** Terminal D will be energized when the outdoor unit goes into defrost mode and can be used to enable electric heat. This feature is not available when the outdoor unit communicates with the indoor unit via non-polarity RS485 Communication S1-S2.

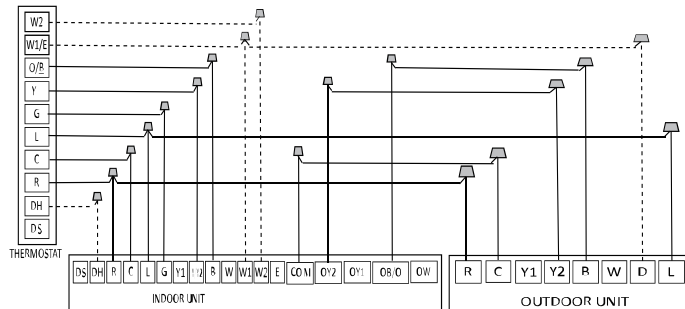
**24V WIRING**

See [Table 19](#) for jumper usage.



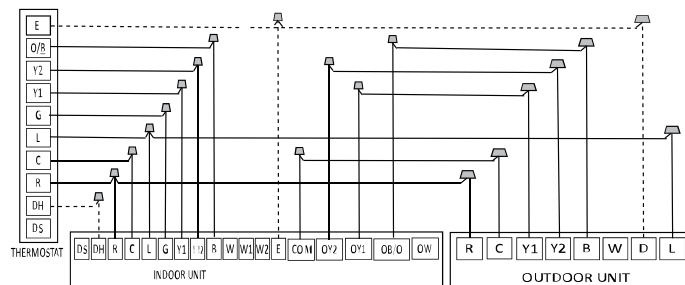
S4-2 Default on, DH function off. Turn switch off to activate DH function.  
 S4-4 Default on, W1 and W2 shorted for single stage Aux heat operation. Turn off to separate stages.

**Fig. 14 – Wiring for 4H and 2C Thermostat**



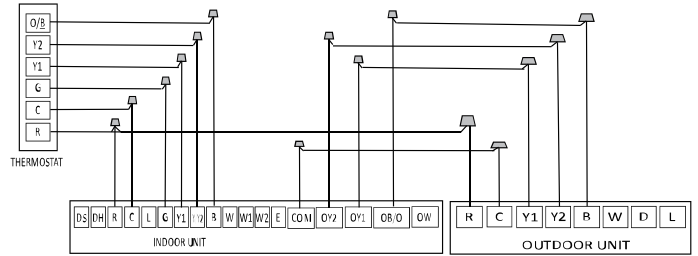
S4-2 Default on, DH function off. Turn switch off to activate DH function.  
 S4-4 Default on, W1 and W2 shorted for single stage Aux heat operation. Turn off to separate stages.

**Fig. 15 – Wiring for 3H and 1C Thermostat**

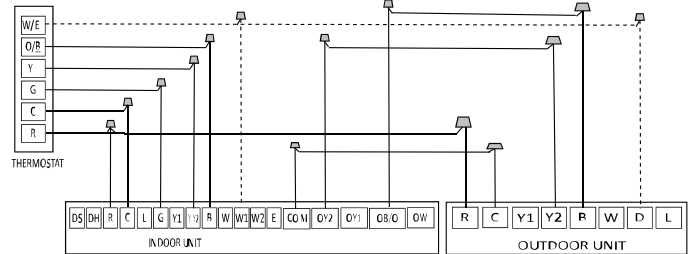


S4-2 Default on, DH function off. Turn switch off to activate DH function.  
 Emergency heating control two groups of electric heating at the same time

**Fig. 16 – Wiring for 3H and 2C Thermostat**

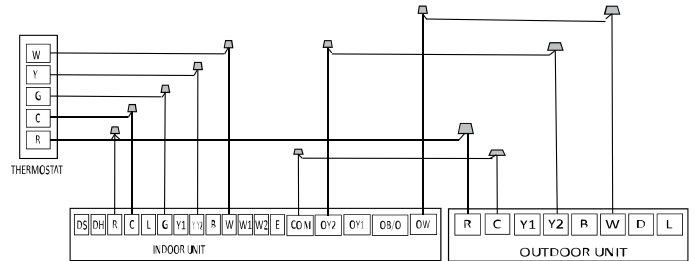


**Fig. 17 – Wiring for 2H and 2C Thermostat**



S4-4 Default on, W1 and W2 shorted for single-stage Aux heat operation. Turn off to separate stages.

**Fig. 18 – Wiring for 2H and 1C Thermostat**



**Fig. 19 – Wiring for 1H and 1C Thermostat**

**Table 19 – Jumper Usage for Thermostat Wiring**

S4-1	S4-2
Default ON: For single-stage supplemental heat, W1 and W2 are connected. OFF: For dual-stage supplemental heat, W1 and W2 are controlled independently. Feature is enabled through thermostat.	Default ON: Dehumidification control not available. OFF: Dehumidification feature is enabled through thermostat.
<b>NOTE:</b> Dip switches are located on compatible indoor unit. Refer to the indoor unit installation manual for additional information.	

**⚠ WARNING**

**EQUIPMENT DAMAGE HAZARD**

Failure to follow this caution may result in equipment damage or improper operation. Wires should be sized based on NEC and local codes.



## CAUTION

### EQUIPMENT DAMAGE HAZARD

Failure to follow this caution may result in equipment damage or improper operation. Be sure to comply with local codes while running wire from the indoor unit to the outdoor unit. Every wire must be connected firmly. Loose wiring may cause the terminal to overheat or result in unit malfunction. A fire hazard may also exist. Ensure all wiring is tightly connected.

No wire should touch the refrigerant tubing, compressor or any moving parts. Disconnecting means must be provided and shall be located within sight and readily accessible from the air conditioner. Route the cable & conduit through the hole in the conduit panel.

**NOTE:** The main power is supplied to the outdoor unit. When disconnecting the power of the outdoor unit, the indoor unit would lose power. A disconnect switch is not required on the Indoor unit side on the wiring between the Outdoor and Indoor unit. A 3-pole disconnect may be used for extra protection between the Indoor and Outdoor Unit. A separate power is required for an Auxiliary Electric Heater.

## AIR FLOW DATA

Refer to [Table 4](#) for complete specifications.

**Table 20 – Airflow Data**

System Size	18K	24K	30K	36K	48K	60K
Outdoor (CFM)	1451.7	1766.8	3003.5	2237.9	3037.1	3037.1

## SOUND PRESSURE AND SOUND POWER

Refer to [Table 4](#) for complete specifications.

**Table 21 – Sound Pressure and Sound Power**

	System Size		18K	24K	30K	36K	48K	60K
Cooling	Outdoor Sound Pressure Level	dB(A)	55	60	60	63	65	65

## SOUND PRESSURE IN OCTAVE BANDS

Refer to [Table 4](#) for complete specifications.

# CAPACITY CORRECTION FACTOR FOR REFRIGERANT LINE SIZE DIAMETER

VAPOR LINE SIZE AND COOLING CAPACITY LOSSES											
UNIT NOMINAL SIZE (BTU/HR)	MAXIMUM LIQUID LINE DIAMETERS (IN. OD)	VAPOR LINE DIAMETERS (IN. OD)	COOLING CAPACITY LOSS (%)								
			TOTAL EQUIVALENT LINE LENGTH FT. (M)								
			26-50 (7.9-15.2)	51-80 (15.5-24.4)	81-100 (24.7-30.5)	101-125 (30.8-38.1)	126-150 (38.4-45.7)	151-164 (46.0-50.0)	165-213 (50.2-65.0)	214-225 (65.3-68.6)	226-250 (68.9-76.2)
18000	3/8	1/2	2	4	6	NA	NA	NA	NA	NA	NA
		5/8	1	2	3	NA	NA	NA	NA	NA	NA
		3/4	0	1	2	NA	NA	NA	NA	NA	NA
24000	3/8	5/8	1	2	3	5	7	8	NA	NA	NA
		3/4	0	1	2	3	4	4	NA	NA	NA
		7/8	0	1	1	2	2	3	NA	NA	NA
30000	3/8	5/8	1	2	3	4	5	5	NA	NA	NA
		3/4	0	1	1	2	2	3	NA	NA	NA
		7/8	0	0	1	1	1	2	NA	NA	NA
36000	3/8	5/8	2	3	4	5	7	7	10	11	12
		3/4	1	1	2	2	3	4	5	5	6
		7/8	0	1	1	1	2	2	3	3	4
48000	3/8	3/4	1	2	3	4	5	5	7	8	9
		7/8	0	1	1	2	3	3	4	5	5
		11/8	0	0	0	1	1	1	2	2	3
60000	3/8	3/4	1	2	3	4	6	6	8	9	10
		7/8	0	1	2	2	3	3	5	5	6
		11/8	0	0	0	1	1	1	2	2	3

## OUTDOOR UNIT SOUND PRESSURE TEST CONDITIONS

Refer to Table 4 for complete specifications.

Outdoor Unit

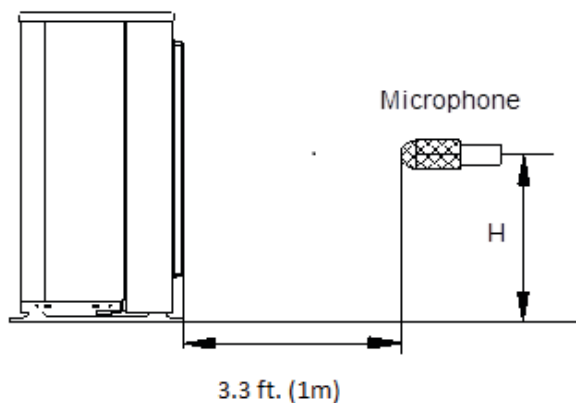


Fig. 20 – Outdoor Unit Sound Pressure Test Conditions

NOTE: H=0.5 x Height of outdoor unit

Table 22 – Outdoor Unit Sound Pressure Test Conditions

	INDOOR CONDITION		OUTDOOR CONDITION	
	DB	WB	DB	WB
Cooling	80.6°F (27°C)	66.2°F (19°C)	95°F (35°C)	75.2°F (24°C)
Heating	68°F (20°C)	59°F (15°C)	44.6°F (7°C)	42.8°F (6°C)

# REFRIGERANT CYCLE DIAGRAMS

## 18K

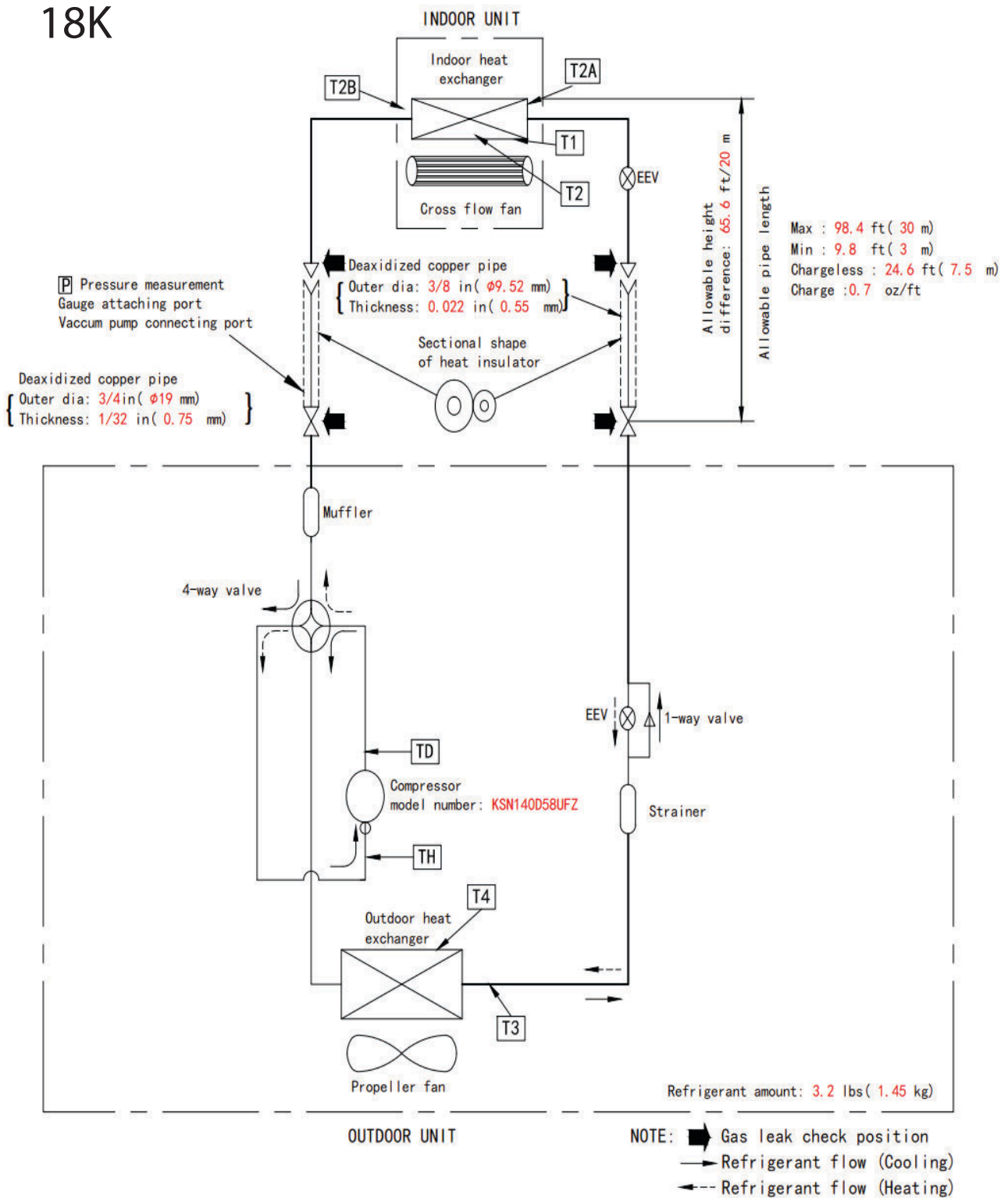


Fig. 21 – Refrigerant Cycle 18K

# 24K

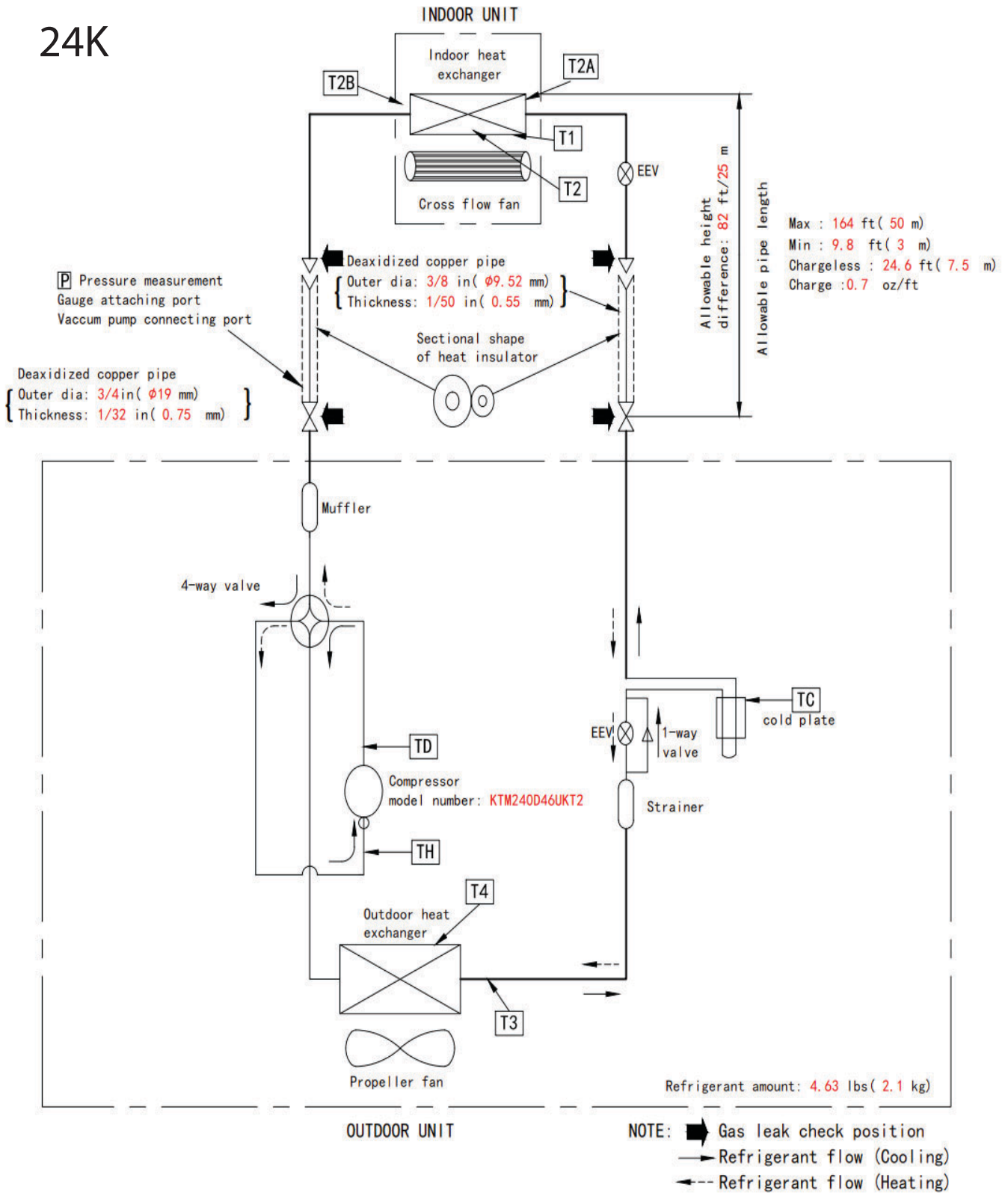


Fig. 22 – Refrigerant Cycle 24K

# 30K

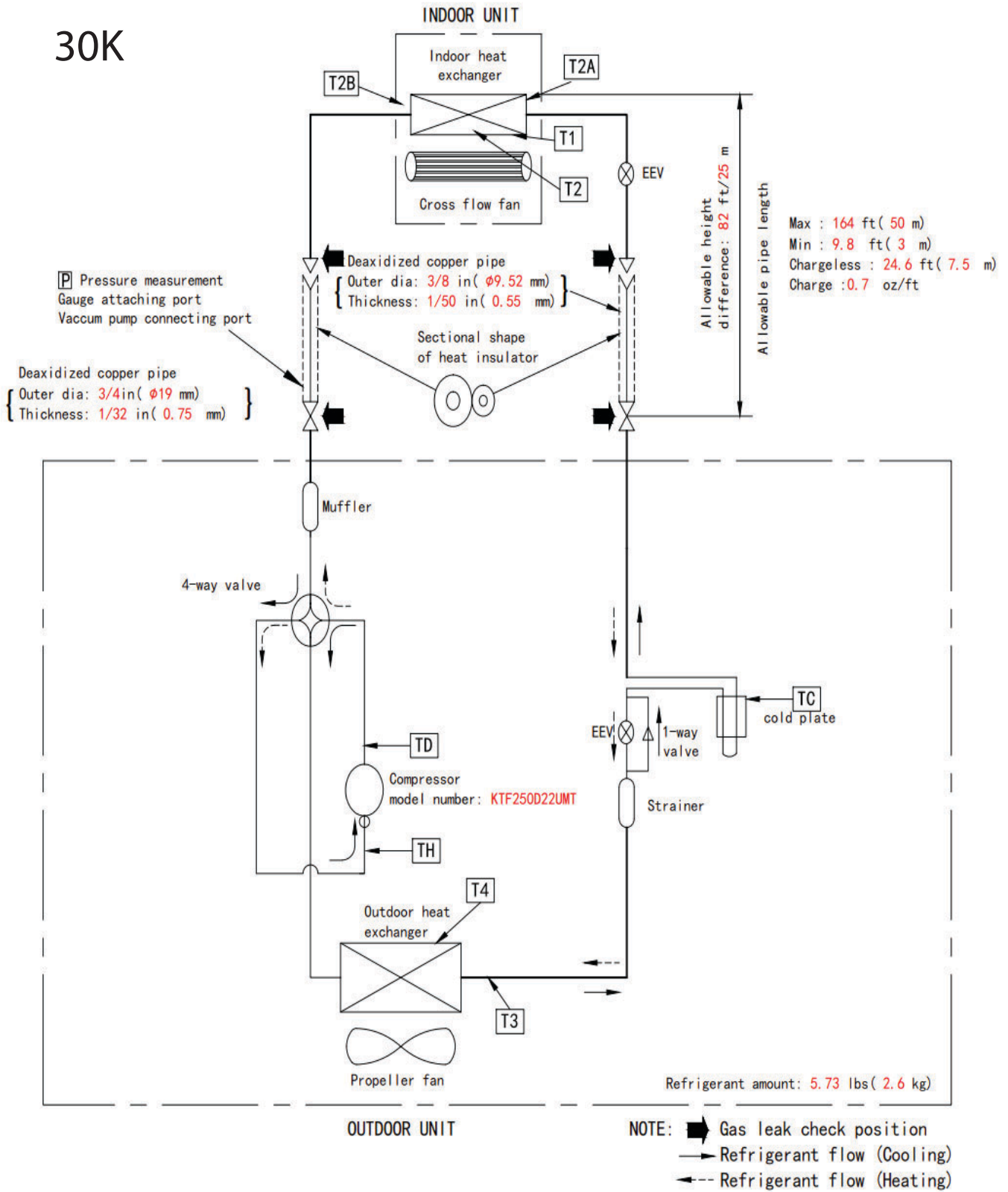


Fig. 23 – Refrigerant Cycle 30K

# 36K

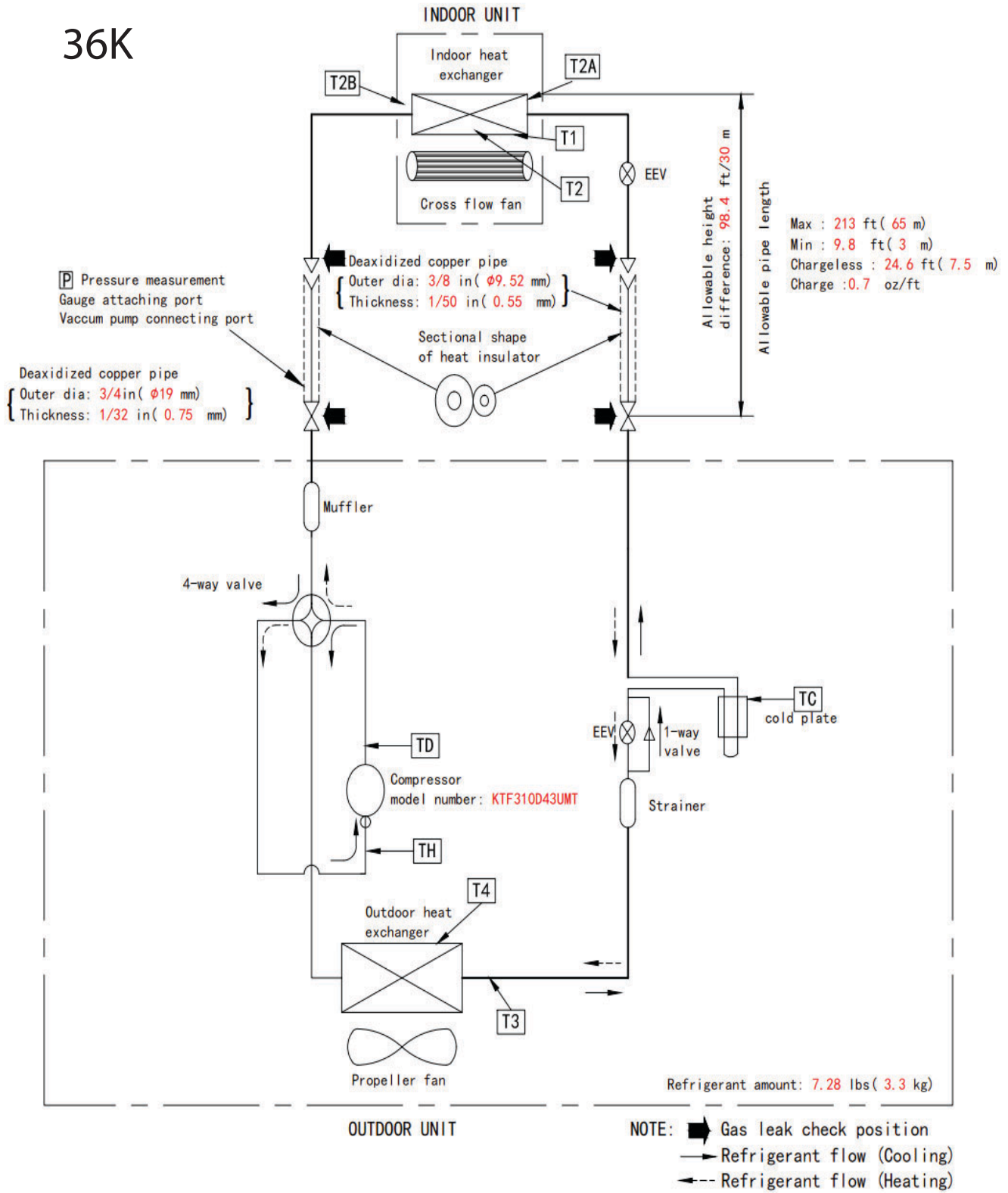


Fig. 24 – Refrigerant Cycle 36K

# 48K/60K

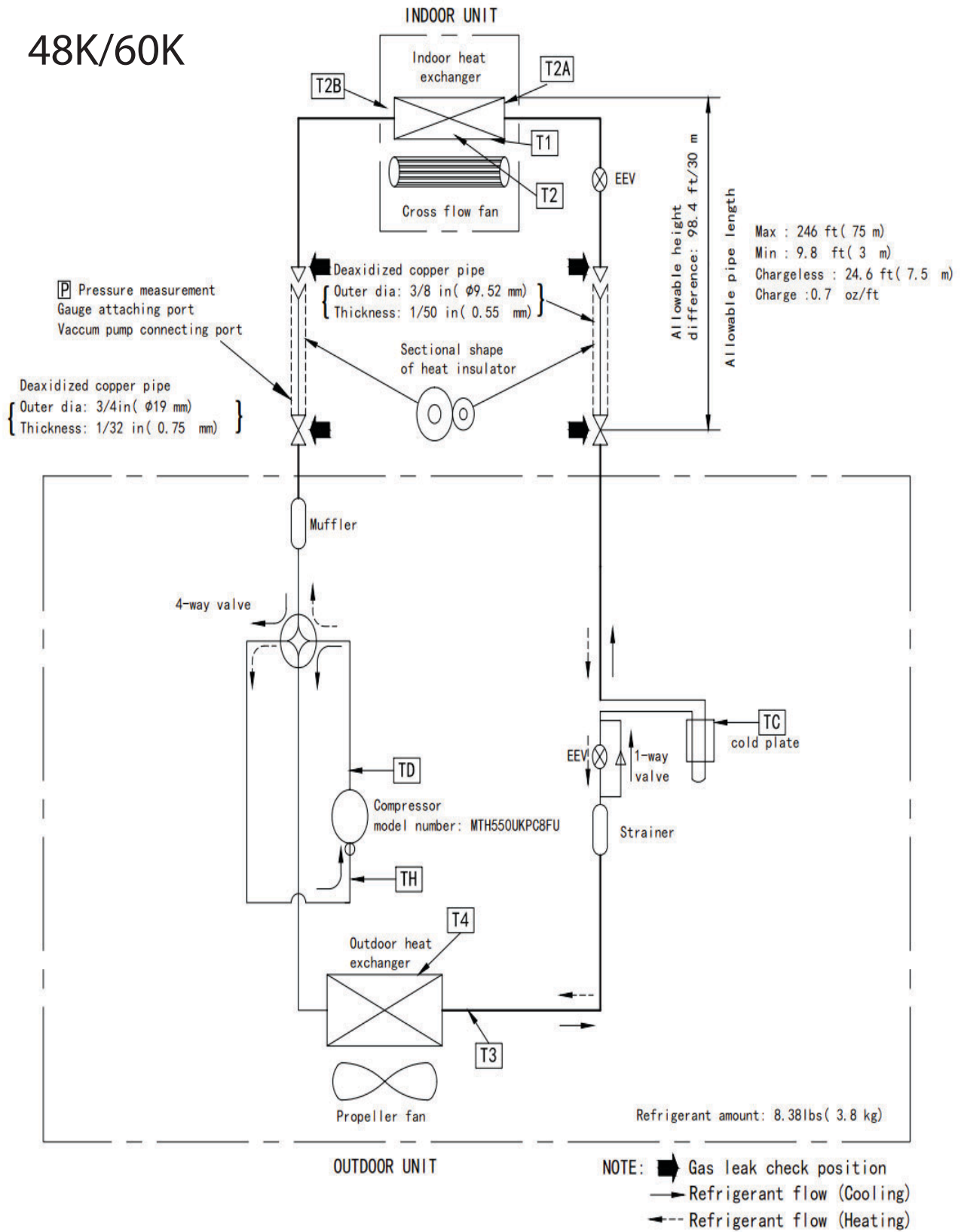


Fig. 25 – Refrigerant Cycle 48K, 60K

# FAN AND MOTOR AND ELECTRICAL SPECIFICATIONS

Refer to Table 4 for complete specifications.

## WIRING DIAGRAMS

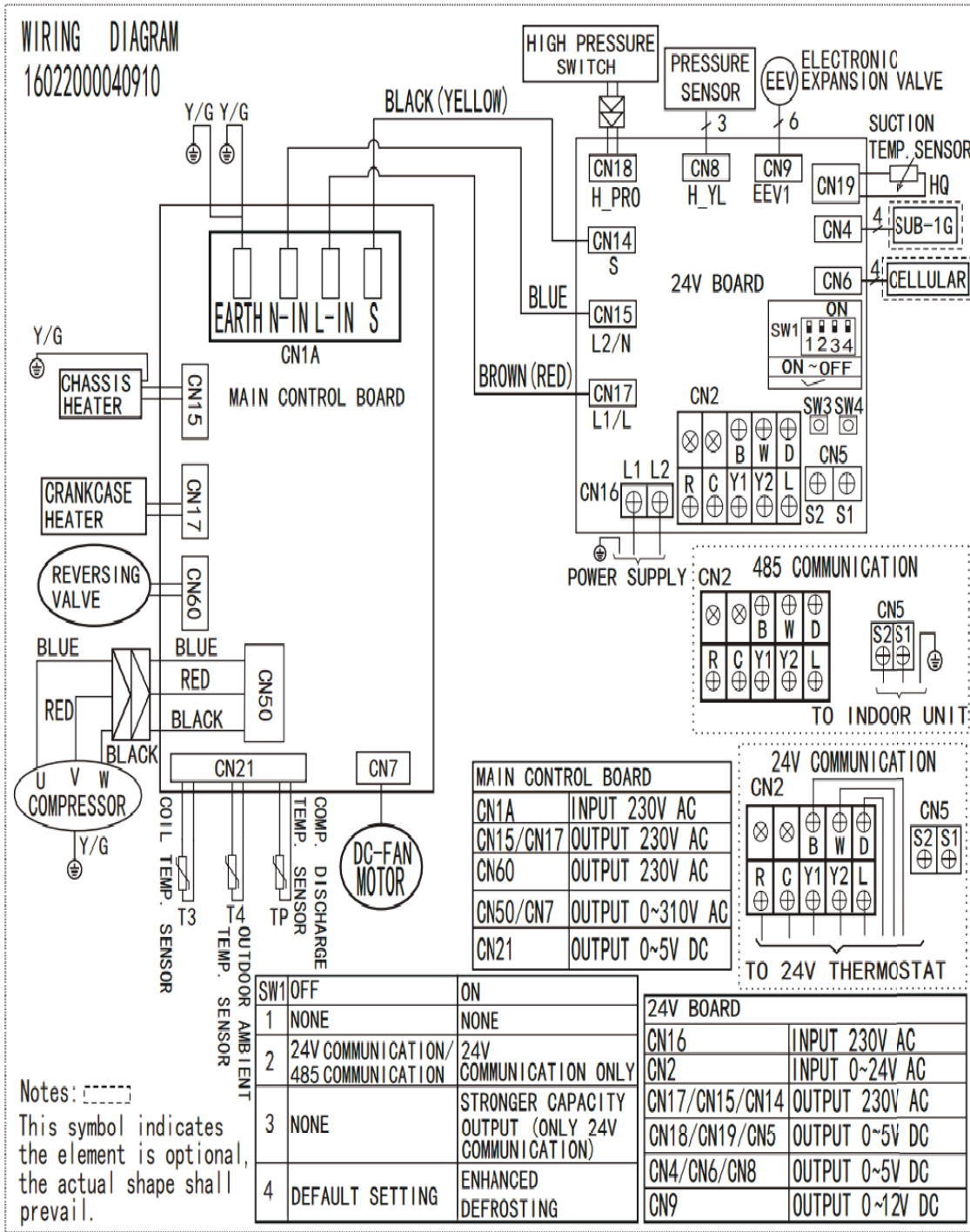


Fig. 26 – 18K Wiring Diagram

**NOTE:** 485 Communication only use the connection points at CN5 (S1 & S2).

**NOTE:** 24V Communication only use the connection points at CN2.

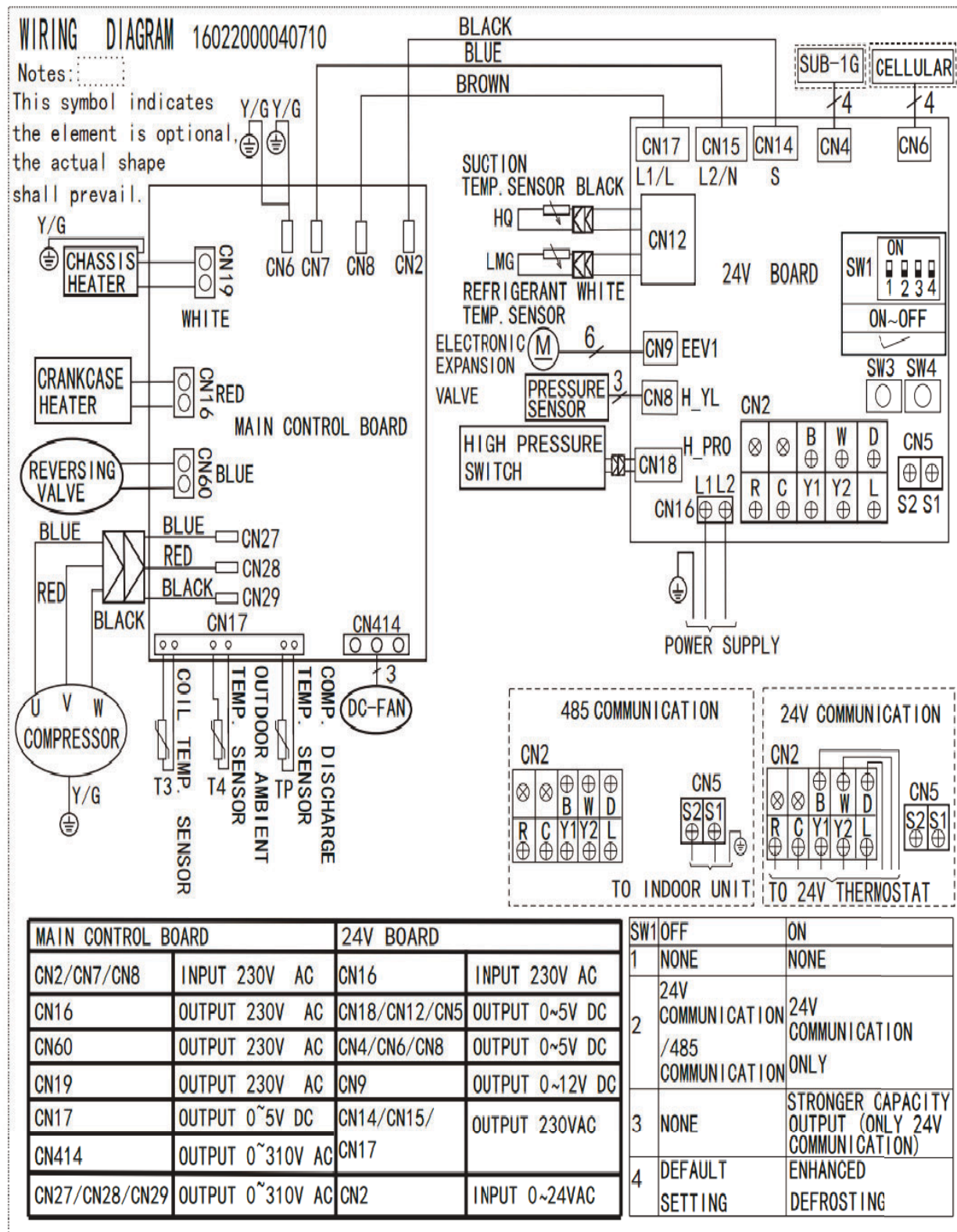


Fig. 27 – 24K Wiring Diagram

NOTE: 485 Communication only use the connection points at CN5 (S1 & S2).

NOTE: 24V Communication only use the connection points at CN2.

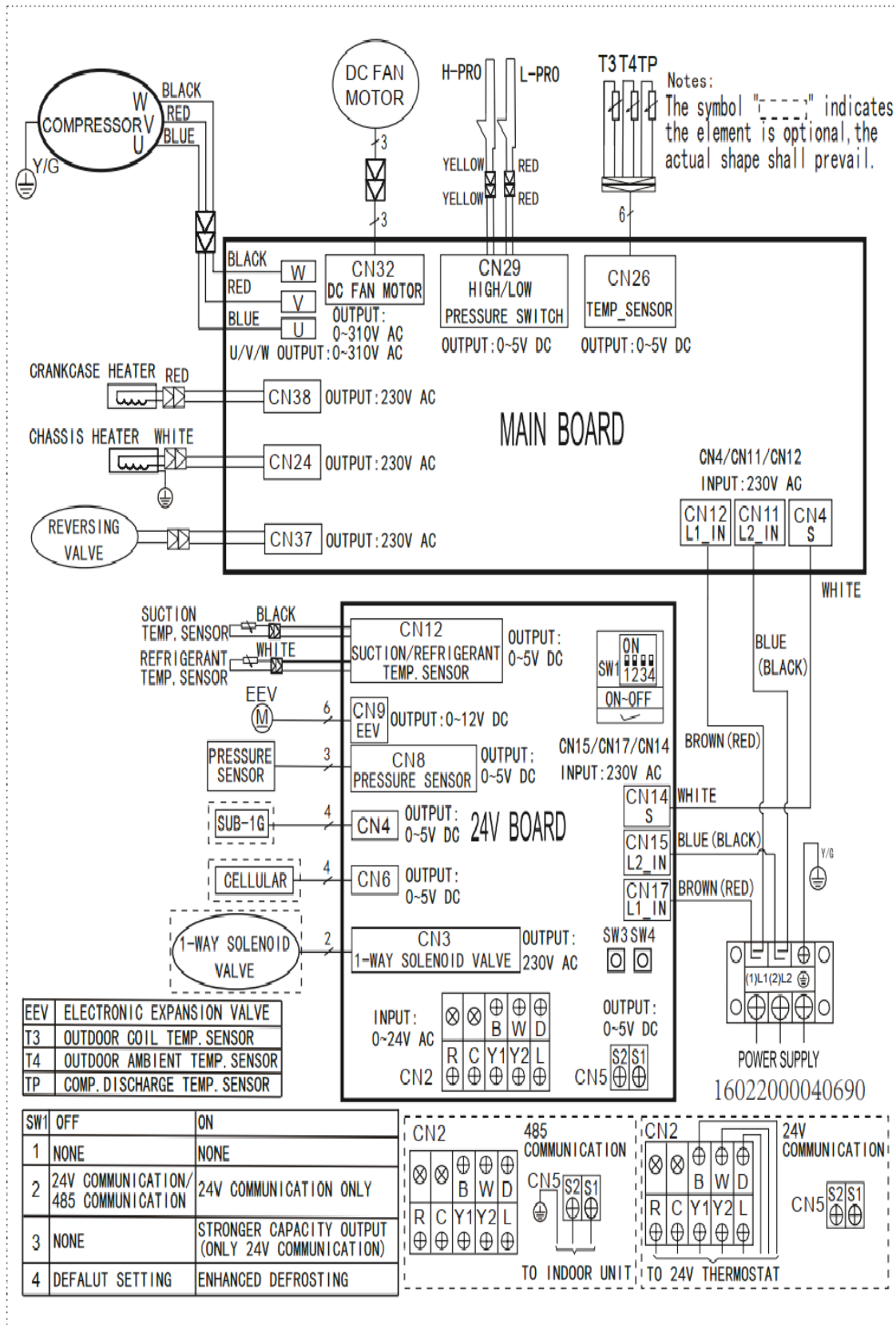


Fig. 28 – 30K Wiring Diagram

NOTE: 485 Communication only use the connection points at CN5 (S1 & S2).

NOTE: 24V Communication only use the connection points at CN2.

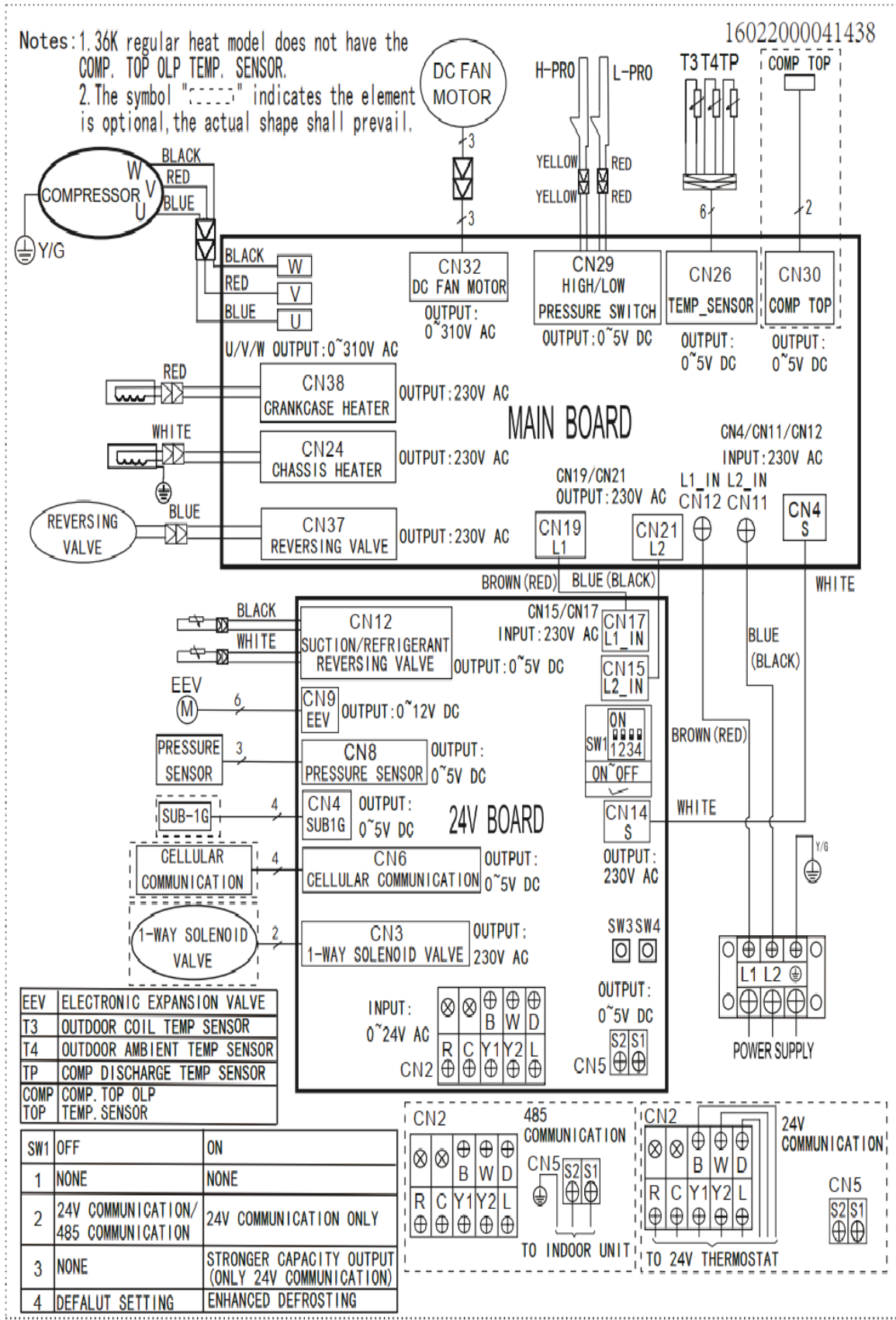


Fig. 29 – 36K Wiring Diagram

NOTE: 485 Communication only use the connection points at CN5 (S1 & S2).

NOTE: 24V Communication only use the connection points at CN2.

Notes:

1. COMP. TOP OLP TEMP. SENSOR and EEV2 are only for 36K hyper heat model.
2. The symbol "-----" indicates the element is optional, the actual shape shall prevail.

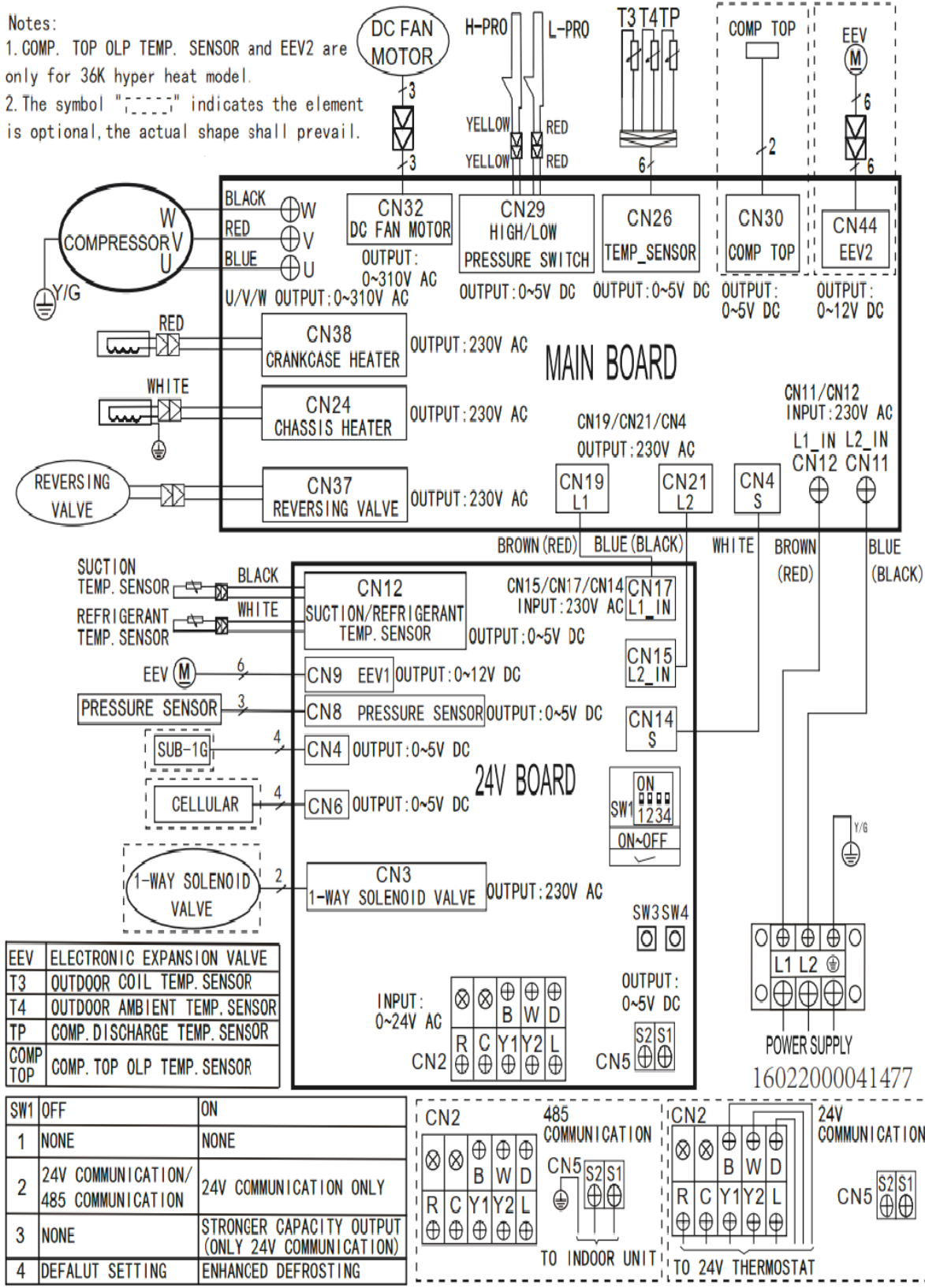


Fig. 30 – 48K / 60K Wiring Diagram

NOTE: 485 Communication only use the connection points at CN5 (S1 & S2).

NOTE: 24V Communication only use the connection points at CN2.

**HORIZONTAL DISCHARGE SPLIT-SYSTEM HEAT PUMP**

Size Range: 1½ to 5 Ton Nominal Cooling and Heating Capacity

Model Number: **D5CURA****Part 1 - General****System Description**

- a. Outdoor air-cooled split system compressor sections suitable for on-the-ground, rooftop, wall hung or balcony mounting. Units consist of a rotary compressor, an air-cooled coil, propeller-type draw-through outdoor fan, reversing valve (HP), accumulator (HP units), metering device(s), and a control box. Units discharge air horizontally as shown on the contract drawings. Units function as the outdoor component of an air-to-air heat pump system.
- b. Units are to be used in a refrigeration circuit matched to ductless heat pump fan coil units.

**Agency Listings**

- a. Unit construction complies with ANSI/ASHRAE 15, latest revision, and with the NEC.
- b. Units are evaluated in accordance with the UL standard 60335-2-40/ CSA C22.2 No. 60335-2-40.
- c. Units are listed in CEC directory.
- d. Unit cabinet is capable of withstanding the 500-hour salt spray test per Federal Test Standard no. 141 (method 6061).
- e. Air-cooled condenser coils are leak tested at 550 psig.

**Delivery, Storage, And Handling**

Units are shipped in one piece and are stored and handled per the manufacturer's recommendations.

**Warranty (For Inclusion By Specifying Engineer)****Products****Equipment****1. General:**

Factory assembled, single piece, air-cooled outdoor unit. Contained within the enclosure are the factory wiring, piping, controls, and the compressor.

**2. Unit Cabinet:**

- a. The unit cabinet is constructed of galvanized steel, bonderized and coated with baked-enamel finish on the inside and outside.
- b. The unit access panels are removable and provide full access to the compressor, fan, and the control components.
- c. The outdoor compartment is isolated and has an acoustic lining to assure a quiet operation.

**3. Fans:**

- a. The outdoor fans are direct-drive propeller type, and discharge air horizontally. The fan draws air through the outdoor coil.
- b. Outdoor fan motors are totally-enclosed, single phase motors with class E insulation and permanently lubricated ball bearings. The motor is protected by internal thermal overload protection.
- c. The shaft has an inherent corrosion resistance.
- d. Fan blades are non-metallic and statically and dynamically balanced.
- e. Outdoor fan openings are equipped with a PVC metal/mesh coated protection grille over the fan.

**4. Compressor:**

- a. The compressor is the fully hermetic variable speed rotary type.
- b. The compressor is equipped with an oil system, operating oil charge, and motor.
- c. The motor is NEMA rated class E, suitable for operation in a refrigerant atmosphere.
- d. The compressor assembly is installed on rubber vibration isolators.

**5. Outdoor Coil:**

The coil is constructed of aluminum hydrophilic pre-coated fins mechanically bonded to seamless copper tubes, which are cleaned, dehydrated and sealed.

**6. Refrigerant Components:**

Refrigerant circuit components include a brass external liquid line service valves with a service gauge connection port, suction line service valve with a service gage connection port, accumulator, reversing valve, and electronic expansion valve.

**7. Safety:**

Operating safety features are factory selected, assembled, and tested. The minimum functions include the following:

- a. Compressor discharge over temperature protection.
- b. System low voltage protection.
- c. Compressor overload protection.
- d. Compressor over current protection.
- e. IPM module protection.

**8. Electrical Requirements:**

- a. Units operate on single-phase, 60 Hz power at 208/230V.
- b. The unit electrical power is a single point connection for outdoor/indoor unit.
- c. All power and control wiring must be installed per NEC and all local electrical codes.

