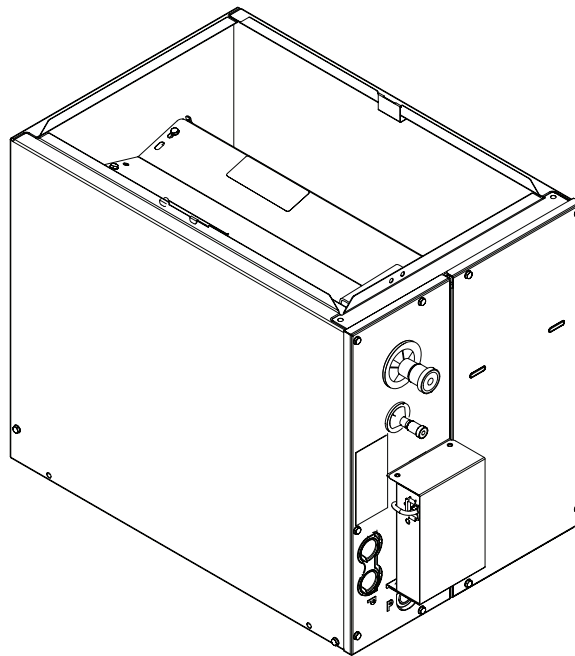




Aluminum Cased Heat Pump / Cooling Coils 1-1/2 – 5 Ton

5TXC-Series Coils

Heat Pump /Cooling Coils for R-454B



22-1995-1A-EN



Aluminum Heat Pump Coil Nomenclature

	5	T	X	C	A	0	0	2	D	S	3	H	C	A	A
Refrigerant Type 5 - R-454B															
Product Family T-Premium (Heat Pump or Convertible Coil)															
Coil Design X - Direct Expansion Evaporator Coil															
Product Family C - Cased A Coil A - Uncased A Coil F - Cased Horizontal Flat Coil															
Coil Width (Cased/Uncased) A - 14.5" / 13.3" B - 17.5" / 16.3" C - 21.0" / 19.8" D - 24.5" / 23.3" H - 10.5"															
Refrigerant Line Coupling 0 - Brazed															
Model Number Distinguisher															
Major Design Change															
Efficiency C - Standard S - Hi Efficiency															
Refrigerant Control 3 - TXV - Non-Bleed															
Coil Circuitry H - Heat Pump															
Airflow Configuration A - Upflow Only U - Upflow / Downflow H - Horizontal Only C - Convertible - Upflow, Downflow, Left or Right Airflow															
Minor Design Change															
Unit Parts Identifier															



General Data

PRODUCT SPECIFICATIONS^[1] 5TXC-DS ---- HIGH EFFICIENCY STAGED SPLIT SYSTEM HEAT PUMP / COOLING COMFORT™ COILS -- CASED UPFLOW / DOWNFLOW/ HORIZONTAL

	5TXCA001AS3HCA	5TXCA002AS3HCA	5TXCB003AS3HCA	5TXCB004AS3HCA	5TXCC005AS3HCA
INDOOR COIL -- Type	PLATE FIN	PLATE FIN	PLATE FIN	PLATE FIN	PLATE FIN
Cooling Capacity (Tons)	1.5 - 2.0	2.5 - 3.0	1.5 - 2.5	3.0 - 3.5	3.0 - 3.5
Rows / F.P.I.	2 / 20	2 / 20	3 / 14	3 / 12	3 / 12
Face Area (sq.ft.)	3.0	4.5	3.5	5.0	5.0
Tube Size	3/8	3/8	3/8	3/8	3/8
Refrigerant Control	Non-Bleed TXV	Non-Bleed TXV	Non-Bleed TXV	Non-Bleed TXV	Non-Bleed TXV
Internal check valve	Yes	Yes	Yes	Yes	Yes
Drain Conn. Size (in.)	3/4 NPT	3/4 NPT	3/4 NPT	3/4 NPT	3/4 NPT
Duct Connections	See Outline Drawing	See Outline Drawing	See Outline Drawing	See Outline Drawing	See Outline Drawing
REFRIGERANT CONNECTIONS	R-454B BRAZED	R-454B BRAZED	R-454B BRAZED	R-454B BRAZED	R-454B BRAZED
Line Size -- Gas (in.)	3/4	3/4	3/4	7/8	7/8
Line Size -- Liquid (in.)	3/8	3/8	3/8	3/8	3/8
DIMENSIONS (in.)	H X W X D	H X W X D	H X W X D	H X W X D	H X W X D
Crated (H x W x D)	21-9/16 x 18-1/2 x 27-1/2	26-9/16 x 18-1/2 x 27-1/2	21-9/16 x 21-1/2 x 27-1/2	26-9/16 x 21-1/2 x 27-1/2	26-9/16 x 25 x 27-1/2
Uncrated	17-1/2 x 14-1/2 x 21-1/2	22-1/2 x 14-1/2 x 21-1/2	17-1/2 x 17-1/2 x 21-1/2	22-1/2 x 17-1/2 x 21-1/2	22-1/2 x 21 x 21-1/2
WEIGHT (lbs)					
Shipping -- Net	42 / 34	49 / 41	50 / 42	58 / 50	60 / 52
	5TXCB006AS3HCA	5TXCC007AS3HCA	5TXCD008AS3HCA	5TXCC009AS3HCA	5TXCD010AS3HCA
INDOOR COIL -- Type	PLATE FIN	PLATE FIN	PLATE FIN	PLATE FIN	PLATE FIN
Cooling Capacity (Tons)	3.5 - 4.0	3.5 - 4.0	3.5 - 5.0	3.5 - 5.0	3.5 - 5.0
Rows / F.P.I.	3 / 14	3 / 14	3 / 14	3 / 16	3 / 16
Face Area (sq.ft.)	5.5	6.0	6.0	7.0	7.0
Tube Size	3/8	3/8	3/8	3/8	3/8
Refrigerant Control	Non-Bleed TXV	Non-Bleed TXV	Non-Bleed TXV	Non-Bleed TXV	Non-Bleed TXV
Internal check valve	Yes	Yes	Yes	Yes	Yes
Drain Conn. Size (in.)	3/4 NPT	3/4 NPT	3/4 NPT	3/4 NPT	3/4 NPT
Duct Connections	See Outline Drawing	See Outline Drawing	See Outline Drawing	See Outline Drawing	See Outline Drawing
REFRIGERANT CONNECTIONS	R-454B BRAZED	R-454B BRAZED	R-454B BRAZED	R-454B BRAZED	R-454B BRAZED
Line Size -- Gas (in.)	7/8	7/8	7/8	7/8	7/8
Line Size -- Liquid (in.)	3/8	3/8	3/8	3/8	3/8
DIMENSIONS (in.)	H X W X D	H X W X D	H X W X D	H X W X D	H X W X D
Crated (H x W x D)	30-13/16 x 21-1/2 x 27-1/2	30-13/16 x 25 x 27-1/2	30-5/8 x 28-1/2 x 27-1/2	34-3/4 x 25 x 27-1/2	34-3/4 x 28-1/2 x 27-1/2
Uncrated	26-3/4 x 17-1/2 x 21-1/2	26-3/4 x 21 x 21-1/2	26-3/4 x 24-1/2 x 21-1/2	30-3/4 x 21 x 21-1/2	30-3/4 x 24-1/2 x 21-1/2
WEIGHT (lbs)					
Shipping -- Net	63 / 55	69 / 61	72 / 64	78 / 70	81 / 73

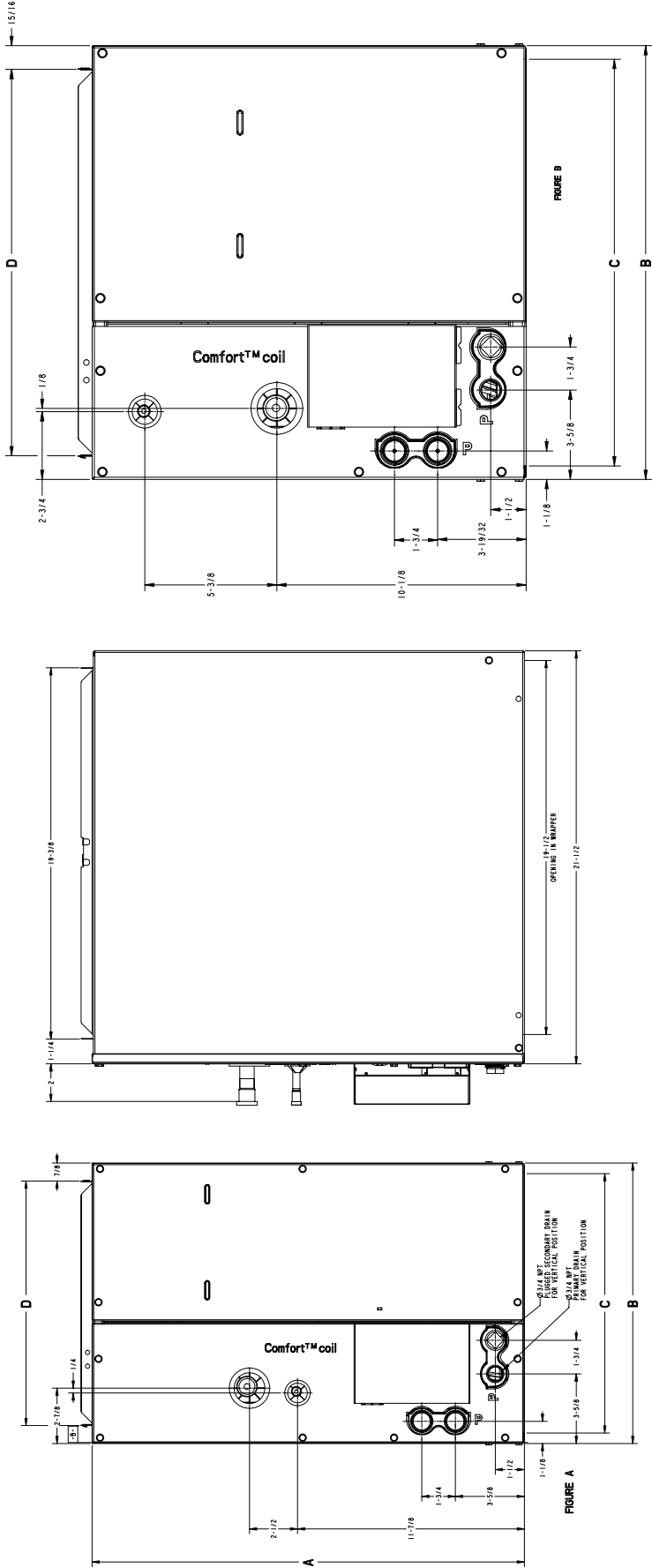
[1] These indoor coils are A.H.R.I. certified with various split system air conditioners and heat pumps (A.H.R.I. Standard 210/240). Refer to the Split System Outdoor product information site or www.ahrinet.org



Performance Data

PRESSURE DROP CHARACTERISTICS FOR COOLING AND HEAT PUMP COILS AIRFLOW (CFM) VS. PRESSURE DROP ACROSS WET COIL								
PRESSURE DROP (INCHES OF WATER COLUMN)								
Model	0.05	0.1	0.15	0.2	0.25	0.3	0.35	0.4
5TXCA001AS3HCA	225	340	430	510	585	650	715	775
5TXCA002AS3HCA	375	570	725	860	985	1100	1200	1305
5TXCB003AS3HCA	350	525	665	790	900	1000	1095	1180
5TXCB004AS3HCA	440	655	825	970	1100	1220	1330	1435
5TXCB006AS3HCA	430	640	815	965	1095	1220	1335	1445
5TXCC005AS3HCA	520	770	970	1145	1300	1440	1570	1695
5TXCC007AS3HCA	505	760	965	1140	1300	1445	1580	1710
5TXCC009AS3HCA	490	740	940	1120	1280	1425	1565	1695
5TXCD008AS3HCA	580	870	1100	1300	1485	1650	1805	1950
5TXCD010AS3HCA	555	835	1065	1265	1445	1615	1770	1915

Outline Drawing for models: 5TXCA001AS3HCA, 5TXCA002AS3HCA, 5TXCA003AS3HCA, 5TXCB004AS3HCA, 5TXCB005AS3HCA, 5TXCC006AS3HCA, 5TXCC007AS3HCA, 5TXCC008AS3HCA, 5TXCC009AS3HCA, 5TXCD010AS3HCA



MODEL	5TXCA001AS3	5TXCA002AS3	5TXCA003AS3	5TXCB004AS3	5TXCC005AS3	5TXCB006AS3	5TXCC007AS3	5TXCD008AS3	5TXCC009AS3	5TXCD010AS3
SEE FIGURE	FIGURE A	FIGURE A	FIGURE B	FIGURE A	FIGURE A	FIGURE A	FIGURE A	FIGURE A	FIGURE A	FIGURE A
SHIPPING WEIGHT (LBS.)	44	49	50	58	60	63	69	72	78	81
REFRIGERANT CONTROL	TXV (NON-BLEED)									
HEIGHT "A" (IN.)	17-5/8	22-1/2	17-5/8	22-1/2	22-1/2	26-7/8	26-7/8	26-7/8	30-3/4	30-3/4
OVERALL WIDTH "B" (IN.)	14-1/2	14-1/2	17-1/2	17-1/2	21	17-1/2	21	24-1/2	21	24-1/2
OPENING WIDTH "C" (IN.)	13-5/8	13-5/8	16-5/8	16-5/8	20-1/8	16-5/8	20-1/8	23-5/8	20-1/8	23-5/8
TOP OPENING "D"	12-3/4	12-3/4	15-3/4	15-3/4	19-1/4	15-3/4	19-1/4	22-3/4	19-1/4	22-3/4
GAS CONNECTION	3/4									
LIQUID CONNECTION	3/8									
MATCHED FURNACE WIDTH (NO ADAPTER REQUIRED)	14-1/2	14-1/2	17-1/2	17-1/2	21	17-1/2	21	24-1/2	21	24-1/2
DRAIN PAN	PLASTIC									



Trane - by Trane Technologies (NYSE: TT), a global climate innovator - creates comfortable, energy efficient indoor environments for commercial and residential applications. For more information, please visit trane.com or tranetechnologies.com.



Trane has a policy of continuous data improvement and it reserves the right to change design and specifications without notice. We are committed to using environmentally conscious print practices.

22-1995-1A-EN 15 Mar 2024
Supersedes (New)

© 2024 Trane