

MSY-GX24NL & MUY-GX24NL  
22,400 BTU/H WALL-MOUNTED INDOOR UNIT  
22,400 BTU/H INVERTER COOLING ONLY OUTDOOR UNIT



Job Name:

System Reference:

Date:



Indoor Unit.....MSY-GX24NL

Outdoor Unit.....MUY-GX24NL



#### INDOOR UNIT FEATURES

- Dual Barrier Coating: The patented Dual Barrier Coating reduces the collection of contaminants like dust, fibers, smoke, and oil on the inner surface of the heat pump, resulting in optimal airflow and easier maintenance.
- Econo Cool: Econo Cool temporarily and automatically adjusts the airflow based on heat exchanger temperature. The set temperature is increased slightly, which saves energy, while maintaining comfort.
- Multiple control options including: Back-lit screen hand-held Remote Controller (provided with unit), comfort app, third-party interfaces and both wired and wireless controllers
- Multiple fan speed options: Low, Medium, High, Powerful, Auto
- Nano Platinum Filter: This filter has a large capture area and incorporates nanometer-sized platinum-ceramic particles and is designed to reduce the presence of certain nonliving particles, while deodorizing the circulating air.
- Powerful Mode: Temporarily drops or raises the set point and fan speed in order to quickly bring the room to the desired temperature.
- Quiet operation: Outdoor units are as quiet as a typical conversation, and most indoor units are whisper quiet.
- Slim Design: Slim wall-mounted indoor units provide zone comfort control
- Smart Dry Mode: Improves humidity control with minimal over-cooling of the space
- Smart Set: recalls a preferred preset temperature setting at the touch of a button
- Wi-Fi enabled units pair with the Comfort app for complete control over temperature, fan speeds, modes, schedules, and more.

#### OUTDOOR UNIT FEATURES

- Blue Fin Coating: An anti-corrosion treatment applied to the aluminum fins of the heat exchanger of the outdoor unit to protect against corrosion caused by salt, sulfur, and other airborne contaminants, especially in coastal and industrial areas.
- INVERTER-driven compressor: An inverter-driven compressor generates the precise capacity needed to maintain a temperature set point.
- Powered by Outdoor Unit: The outdoor unit powers the indoor unit, and should a power outage occur, the system is automatically restarted when power returns

# SPECIFICATIONS: MSY-GX24NL & MUY-GX24NL

Cooling at 95F <sup>1</sup>	Maximum Capacity	Btu/h	27,000
	Rated Capacity	Btu/h	22,400
	Minimum Capacity	Btu/h	7,400
	Maximum Power Input	W	2,890
	Rated Power Input	W	1,720
	Moisture Removal	Pints/h	4.5
	Sensible Heat Factor	-	0.78
Efficiency	Power Factor [208V / 230V]	%	98 / 98
	SEER2		21.5
	EER2 <sup>1</sup>		13
Electrical	ENERGY STAR <sup>®</sup> Certified		Yes
	Voltage, Phase, Frequency	V AC / V AC, , Hz	208 / 230, 1, 60
	Guaranteed Voltage Range	V AC	187 - 253
	Voltage: Indoor - Outdoor, S1-S2	V AC	230
	Voltage: Indoor - Outdoor, S2-S3	V DC	24
	Short-circuit Current Rating [SCCR]	kA	5
	Recommended Fuse/Breaker Size (Outdoor)	A	25
Indoor Unit	Recommended Wire Size [Indoor - Outdoor]	AWG	14
	MCA	A	1
	Fan Motor Output	W	56
	Airflow Rate at Cooling, Dry	CFM	324, 392, 454, 636, 765
	Airflow Rate at Cooling, Wet	CFM	292, 353, 408, 573, 688
	Sound Pressure Level [Cooling]	dB (A)	30, 37, 41, 48, 53
	Drain Pipe Size O.D.	inch [mm]	5/8 [15.88]
	Dual Barrier Coating on Heat Exchanger		Yes
	External Finish Color		Munsell 0.7PB 9.2/0.4
	Unit Dimensions (W x D x H)	inch x inch x inch [mm x mm x mm]	43-5/16 x 10-1/8 x 12-13/16 [1,100 x 257 x 325]
	Package Dimensions (W x D x H)	inch x inch x inch [mm x mm x mm]	45-1/2 x 15-1/2 x 13-1/2 [1,160 x 400 x 340]
	Unit Weight	lbs [kg]	37 [16.50]
	Package Weight	lbs [kg]	42 [18.80]
Fan Motor Type		DC Motor	
IDU Operating Temp. Range	Cooling Intake Air Temp [Maximum / Minimum]	°FDB, °FWB / °FDB, °FWB	90, 73 / 67, 57
	Heating Intake Air Temp [Maximum / Minimum]	°FDB	80 / 70
Outdoor Unit	MCA	A	23
	MOCP	A	40
	Fan Motor Full Load Amperage	A	0.76
	Fan Motor Output	W	55
	Airflow Rate Cooling	CFM	2,202
	Defrost Method		Reverse Cycle
	Coating on Heat Exchanger (Bluefin, Sea Coast)		Yes, Yes
	Sound Pressure Level, Cooling <sup>1</sup>	dB (A)	55
	Compressor Type		Twin Rotary
	Compressor Model		SRB172FQHMT
	Compressor Oil [Type // Charge]	Type // oz	RM68EH // 14.5
	External Finish Color		Munsell 3Y 7.8/1.1
	Base Pan Heater		Optional
ODU Operating Temp. Range	Unit Dimensions (W x D x H)	inch x inch x inch [mm x mm x mm]	33-1/16 x 13 x 34-5/8 [840 x 330 x 880]
	Package Dimensions (W x D x H)	inch x inch x inch [mm x mm x mm]	38-3/4 x 16-3/4 x 40-3/4 [980 x 420 x 1,030]
	Unit Weight	lbs [kg]	116 [52.30]
	Package Weight	lbs [kg]	135 [61.20]
	Cooling Intake Maximum Air Temp [Maximum / Minimum*]	°FDB	115 / 14
Refrigerant	Cooling Thermal Lock-out / Re-start Temperatures**	°FDB	-1 / 3
	Type		R454B
	Pre-Charged Refrigerant Amount	lbs, oz	3, 12
	Maximum Pre-Charged Piping Length	ft [m]	50 [15]
Piping	Additional Refrigerant Charge Per Additional Piping Length	oz/ft	0.22
	Gas Pipe Size O.D. [Flared]	inch [mm]	5/8 [15.88]
	Liquid Pipe Size O.D. [Flared]	inch [mm]	1/4 [6.35]
	Maximum Piping Length	ft [m]	100 [30]
	Maximum Height Difference	ft [m]	50 [15]
	Maximum Number of Bends		10
<b>NOTES</b> <sup>1</sup> Cooling at 95°F (Indoor: 80°F DB, 67°F WB // Outdoor: 95°F DB, 75°F WB) Indoor/Outdoor Unit Operating Temperature Range (Cooling Air Temp [Maximum / Minimum]): * Applications should be restricted to comfort cooling only; equipment cooling applications are not recommended for low ambient temperature conditions. ** Outdoor Unit Operating Temperature Range (Cooling Thermal Lock-out / Re-start Temperatures):			

## INDOOR UNIT ACCESSORIES: MSY-GX24NL

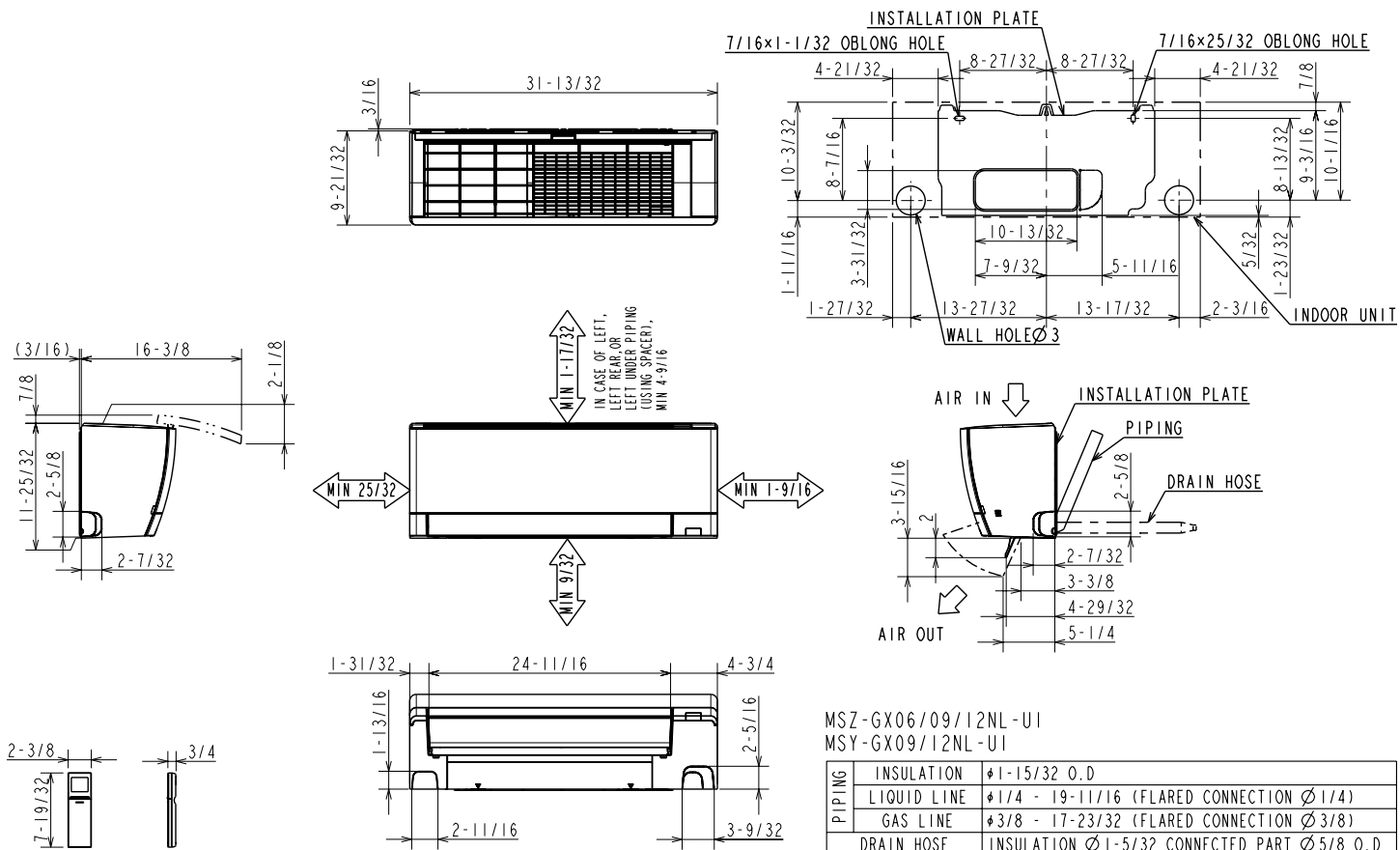
Lineset	100 x 1/4 x 100 x 5/8 Lineset Twin-Tube Insulation	MLS145812T-100
	15 x 1/4 x 15 x 5/8 Lineset Twin-Tube Insulation	MLS145812T-15
	30 x 1/4 x 30 x 5/8 Lineset Twin-Tube Insulation	MLS145812T-30
	65 x 1/4 x 65 x 5/8 Lineset Twin-Tube Insulation	MLS145812T-65
Wireless Remote Controller	Lockdown Bracket for Wireless Handheld Remote Controllers	RCMKP1CB
	RedLINK Wireless Remote Controller	MHK2
Control Interface	Airzone Wired Blueface Controller Black	AZZBSBLUEZEROCN
	Airzone Wired Blueface Controller White	AZZBSBLUEZEROCB
	Airzone Wireless Lite Controller Black	AZZBSLITERN
	Airzone Wireless Lite Controller White	AZZBSLITERB
	Airzone Wireless Think Controller Black	AZZBSTHINKRN
	Airzone Wireless Think Controller White	AZZBSTHINKRB
	IT Extender for kumo station	PAC-WHS01IE-E
	kumo station for the Comfort app	PAC-WHS01HC-E
	M-Net I/O Control Interface for M-Series <sup>2</sup>	MAC-334IF-E
	Procon BACnet and Modbus Interface	PAC-UKPRC001-CN-1
	Thermostat Interface for 3rd Party Thermostats	PAC-US445CN-1
	Wireless Interface Adapter for the Comfort app	PAC-USWHS002-WF-2
Condensate	Blue Diamond Advanced Mini Condensate Pump w Reservoir Sensor 208230V recommended	X87-721
	Blue Diamond MaxiBlue Advanced Mini Condensate Pump w Reservoir Sensor 110V up to 48000 BTUH recommended	X87-711
	Blue Diamond MegaBlue Advanced Condensate Pump w Reservoir Sensor	X87-835
	Blue Diamond Sensor Extension Cable 15 Ft	C13-103
	Drain Pan Level SensorControl	SS610E
	Refco Condensate Pump 100-240 VAC	GOBI-II
	Refco Condensate Pump 100-240 VAC up to 120000 BTUH	COMBI
	Sauermann Condensate Pump	SI30-230
Filter	Electro Static Anti-allergy Enzyme Filter	MAC-2310FT-E
	Electro Static Anti-allergy Enzyme Filter	MAC-2320FT-E
	Microparticle Filter	MAC-EMF515FT-E
	Microparticle Filter	MAC-EMF615FT-E
Remote Sensor	Wireless temperature and humidity sensor for the Comfort app	PAC-USWHS003-TH-1
Drain Hose	Flexible Mini-Split Drain Hose	DRX-16
Power Supplies and Auxiliary Components	Backup Heat Relay Kit Adapter for CN24 or CN152 Connector	CN24RELAY-KIT-CM3
Wired Remote Controller	Deluxe Wired MA Remote Controller <sup>1</sup>	PAR-42MAAUB
	Simple Direct Wired Remote Controller	PAC-SDW01RC-1
	Simple MA Remote Controller <sup>1</sup>	PAC-YT53CRAU-J
	Touch MA Wired Remote Controller <sup>1</sup>	PAR-CT01MAU-SB
Disconnect Switch	30A600VUL fits 2 X 4 utility box - Black	TAZ-MS303
	30A600VUL fits 2 X 4 utility box - White	TAZ-MS303W
<p>NOTES</p> <p><sup>2</sup>Allows IDU Connection to MA Controller:                      Deluxe MA Remote Controller                      Simple MA Controller                      Touch MA Controller</p> <p><sup>1</sup>Requires MAC-334IF-E Adapter  <sup>1</sup>Requires MAC-334IF-E Adapter  <sup>1</sup>Requires MAC-334IF-E Adapter</p>		

## OUTDOOR UNIT ACCESSORIES: MUY-GX24NL

Mini-Split Wire	14 Gauge 4 wire Armored MiniSplit Cable250 ft roll	SW144-250
	14 Gauge 4 wire Armored MiniSplit Cable50 ft roll	SW144-50
	14 Gauge 4 wire MiniSplit Cable250 ft roll	S144-250
	14 Gauge 4 wire MiniSplit Cable50 ft roll	S144-50
	16 Gauge 4 wire Armored MiniSplit Cable250 ft roll	SW164-250
	16 Gauge 4 wire Armored MiniSplit Cable50 ft roll	SW164-50
	16 Gauge 4 wire MiniSplit Cable250 ft roll	S164-250
	16 Gauge 4 wire MiniSplit Cable50 ft roll	S164-50
Stand	18 Single Fan Stand	QSMS1801M
	24 Single Fan Stand	QSMS2401M
	Condenser Wall Bracket	QSWB2000M-1
	Condenser Wall Bracket - Stainless Steel Finish	QSWBSS
	Outdoor Unit 3-14 inch Mounting Base Pair - Plastic	DSD-400P
	Outdoor Unit Stand 12 High	QSMS1201M
Drain Socket	Drain Socket	MAC-871DS
Hail Guards	Hail Guard	HG-A7
Snow/Rain Diverter	SnowRain Diverter	SRD-3
Control/Service Tool	M- & P-Series Maintenance Tool Cable Set	M21EC0397
	Maintenance Tool Interface	PAC-USCMS-MN-1
Air Outlet Guide	Air Outlet Guide	MAC-890SG-E
Mounting Pad	Condensing Unit Mounting Pad 16 x 36 x 3	ULTRILITE1
NOTES		

# INDOOR UNIT DIMENSIONS: MSY-GX24NL

**MSZ-GX06NL MSZ-GX09NL MSZ-GX12NL MSZ-GX15NL**  
**MSY-GX09NL MSY-GX12NL MSY-GX15NL**



MSZ-GX06/09/12NL-U1  
 MSY-GX09/12NL-U1

PIPING	INSULATION	φ1-15/32 O.D
	LIQUID LINE	φ1/4 - 19-11/16 (FLARED CONNECTION φ1/4)
	GAS LINE	φ3/8 - 17-23/32 (FLARED CONNECTION φ3/8)
	DRAIN HOSE	INSULATION φ1-5/32 CONNECTED PART φ5/8 O.D

MSZ-GX15NL-U1  
 MSY-GX15NL-U1

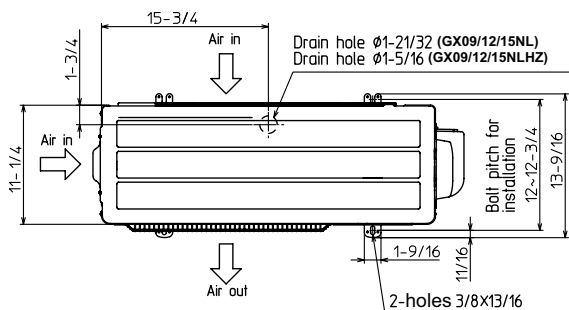
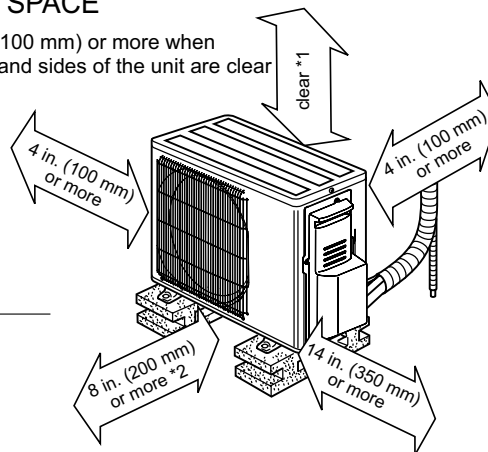
PIPING	INSULATION	φ1-15/32 O.D
	LIQUID LINE	φ1/4 - 19-11/16 (FLARED CONNECTION φ1/4)
	GAS LINE	φ3/8 - 17-23/32 (FLARED CONNECTION φ1/2)
	DRAIN HOSE	INSULATION φ1-5/32 CONNECTED PART φ5/8 O.D

# OUTDOOR UNIT DIMENSIONS: MUY-GX24NL

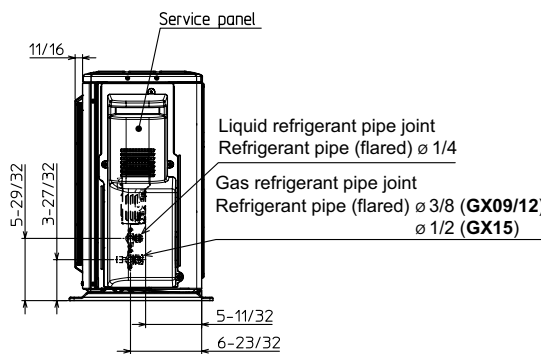
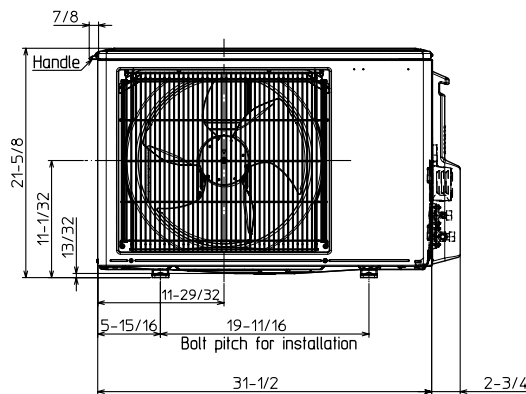
- MUZ-GX09NL-U1
- MUZ-GX12NL-U1
- MUZ-GX15NL-U1
- MUZ-GX09NLHZ-U1
- MUZ-GX12NLHZ-U1
- MUZ-GX15NLHZ-U1
- MUY-GX09NL-U1
- MUY-GX12NL-U1
- MUY-GX15NL-U1

## REQUIRED SPACE

\*1 4 in. (100 mm) or more when front and sides of the unit are clear



\*2 When any 2 sides of left, right and rear of the unit are clear



### MUZ-GX09/12NL MUZ-GX09/12NLHZ MUY-GX09/12NL

REFRIGERANT PIPE JOINT	LIQUID REFRIGERANT PIPE	FLARED 1/4"
	GAS REFRIGERANT PIPE	FLARED 3/8"

### MUZ-GX15NL MUZ-GX15NLHZ MUY-GX15NL

REFRIGERANT PIPE JOINT	LIQUID REFRIGERANT PIPE	FLARED 1/4"
	GAS REFRIGERANT PIPE	FLARED 1/2"

1340 Satellite Boulevard Suwanee, GA 30024  
Toll Free: 800-433-4822 <https://mitsubishicomfort.com>

