

ECLIPSE™ NO. 85 Blow-Off Hydrant

NON-FREEZING

Outlet can be any size up to 2½" NST.

Strong, cast-iron lockable box sits at ground-level.

Typical Uses:

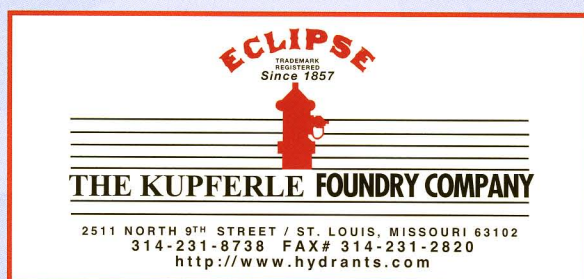
- Water Main Flushing
- Cleanup Around Plants
- Fill-Point for Trucks

Standard hydrant furnished with 3" ductile iron pipe. Any depth of bury you wish.

Has 2¾" valve opening.

Inlet can be 2", 2½" or 3" iron pipe. Mechanical joints, 2", 3" or 4" also available.

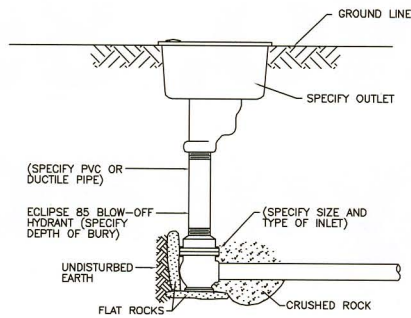
Simply remove two top cap bolts to withdraw working parts.



Call for Drawings
and Specs for
AutoCad
1-800-231-3990
(toll free)
or download
from website

Distributed by:

NON-TRAFFIC INSTALLATION



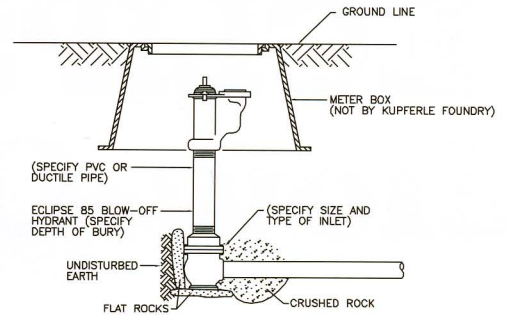
Hydrants shall be self-draining, non-freezing, compression type with 2-3/16" main valve opening. Inlet connection shall be (1-1/4"IP, 1-1/2"IP, 2"IP, 2-1/2"IP, 3"IP, 2"MJ or 3"MJ). Outlet size shall be (any size up to 2-1/2"NST).

Hydrant shall have cast iron box, locking lid, and 3" schedule 80 PVC riser pipe (3" ductile iron pipe also available). Principal interior operating parts shall be brass and removable from the hydrant for servicing without excavating the hydrant.

Hydrants shall be set in 4 cubic feet of crushed stone to allow for proper drainage of the hydrant. Recommendations of the AWWA should be followed for installation of the hydrants.

Blow-Off Hydrants shall be Eclipse No. 85 Box Hydrant as manufactured by John C. Kupferle Foundry Company, St. Louis, MO.

TRAFFIC INSTALLATION



Hydrants shall be self-draining, non-freezing, compression type with 2-3/16" main valve opening. Inlet connection shall be (1-1/4"IP, 1-1/2"IP, 2"IP, 2-1/2"IP, 3"IP, 2"MJ or 3"MJ). Outlet size shall be (any size up to 2-1/2"NST).

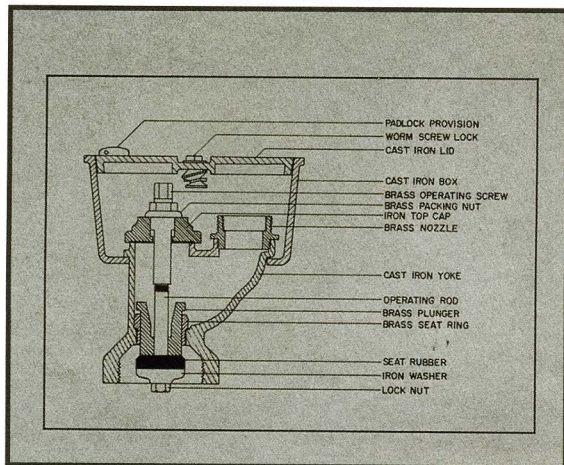
Principal interior operating parts shall be brass and removable from the hydrant for servicing without excavating the hydrant.

Hydrants shall be set in 4 cubic feet of crushed stone to allow for proper drainage of the hydrant. Recommendations of the AWWA should be followed for installation of the hydrants.

Blow-Off Hydrants shall be Eclipse No. 85 Hydrant as manufactured by John C. Kupferle Foundry Company, St. Louis, MO.

Eclipse No. 85-B Blow-Off Hydrant

(no drain—for mild climates)



ECLIPSE
TRADEMARK REGISTERED
Since 1857

THE KUPFERLE FOUNDRY COMPANY

2511 NORTH 9TH STREET / ST. LOUIS, MISSOURI 63102
314-231-8738 FAX# 314-231-2820
<http://www.hydrants.com>



Call Toll Free
1-888-HYDRANT