



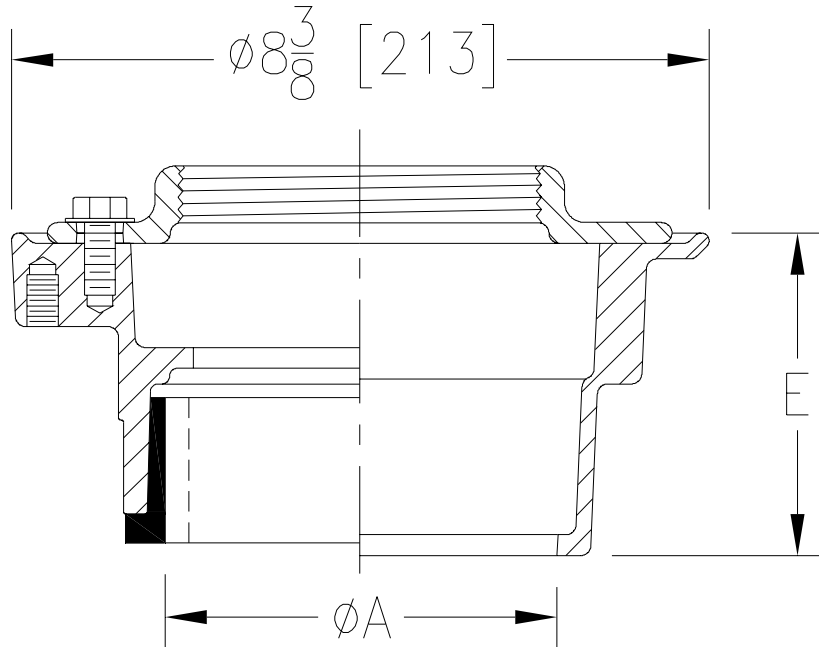
Z415 FLOOR DRAIN BODY WITH CLAMPING COLLAR

SPECIFICATION SHEET

TAG _____



Dimensional Data (inches and [mm]) are Subject to Manufacturing Tolerances and Change Without Notice



Open Area Inches / [mm]	Approx. Weight Lbs. / [kg]
2 - 3 - 4 [51 - 76 - 102]	8 [4]
6 [152]	10 [5]

ENGINEERING SPECIFICATION: ZURN Z415 cast iron body with bottom outlet, combination invertible membrane clamp and adjustable collar. For use with Z400 series strainers.

OPTIONS (Check/specify appropriate options)

PIPE SIZE

- 2 thru 4 [51 thru 102]
- 2 thru 4 [51 thru 102]
- 2 [51]
- 3 [76]
- 4 [102]
- 6 [152]
- 2 thru 4 [51 thru 102]
- 2 thru 4 [51 thru 102]

(Specify size/type) **OUTLET**

- ___ IC Inside Caulk
- ___ IG Inside Gasket
- ___ IP Threaded
- ___ IP Threaded
- ___ IP Threaded
- ___ IP Threaded
- ___ NH No-Hub
- ___ NL Neo-Loc

'E' BODY HT. DIM.

- 3 7/8 [98]
- 3 7/8 [98]
- 2 3/8 [60]
- 2 5/8 [67]
- 2 7/8 [73]
- 2 3/4 [70]
- 3 7/8 [98]
- 3 3/4 [95]

SUFFIXES

- ___ -AR Acid Resistant Epoxy Coated Cast Iron
- ___ -G Galvanized Cast Iron
- ___ -P 1/2 [13] Trap Primer Connection
- ___ -U 1 - 3 [25 - 76] High Extension Adapter
- ___ -6NH 6 [152] No-Hub Outlet (6 [152] IP w/Z1040)
- ___ -90 2, 3 or 4 [51, 76 or 102] Side Outlet Body Assembly (IP or NH only)

REV. A DATE: 4/20/06 C.N. NO. 95035

DWG. NO. 63634 PRODUCT NO. Z415

*REGULARLY FURNISHED UNLESS OTHERWISE SPECIFIED