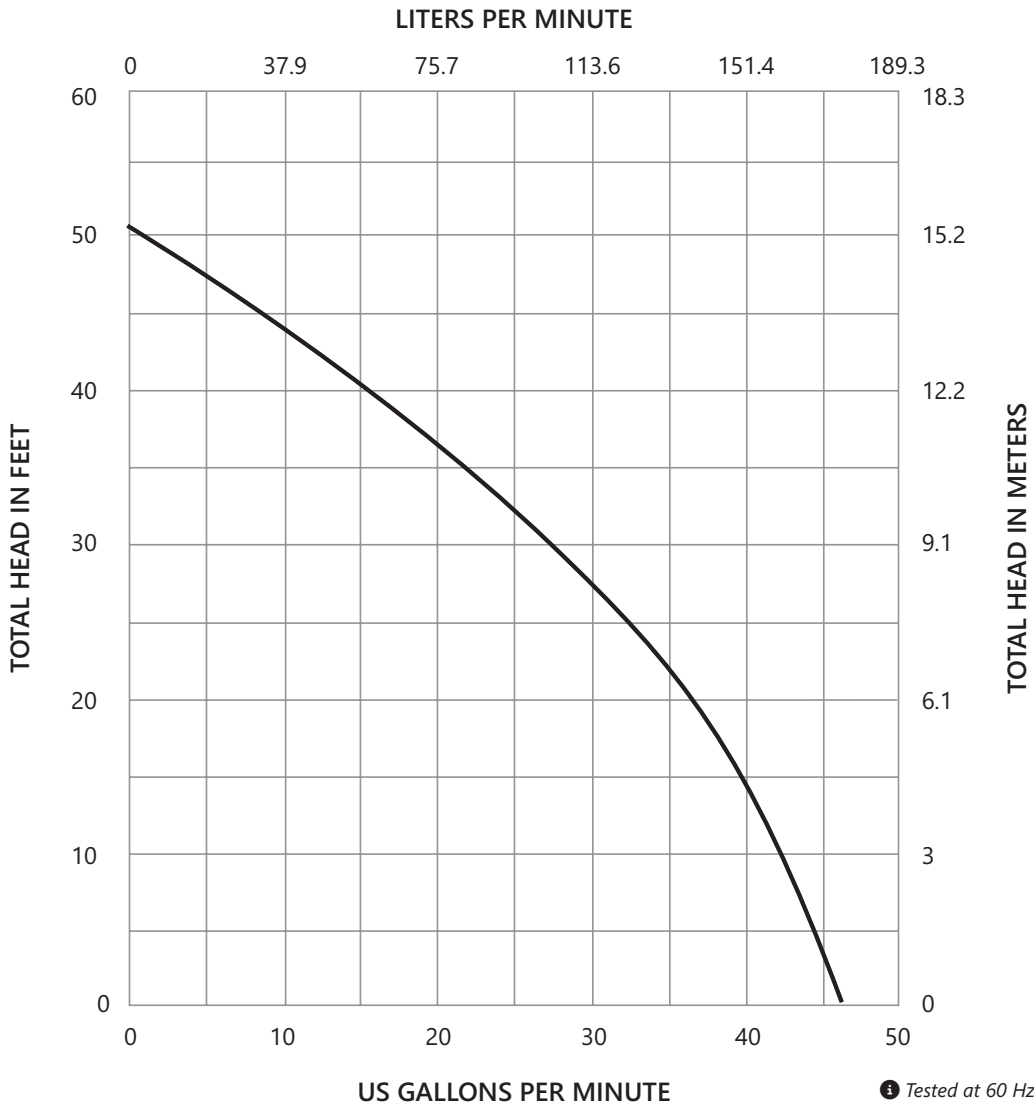
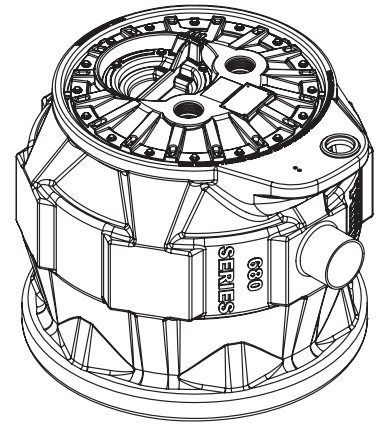
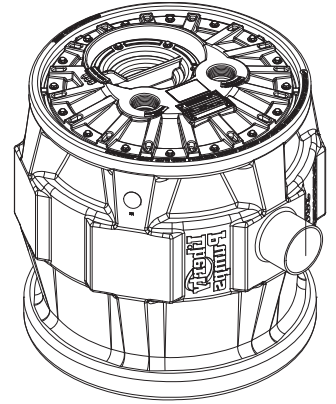
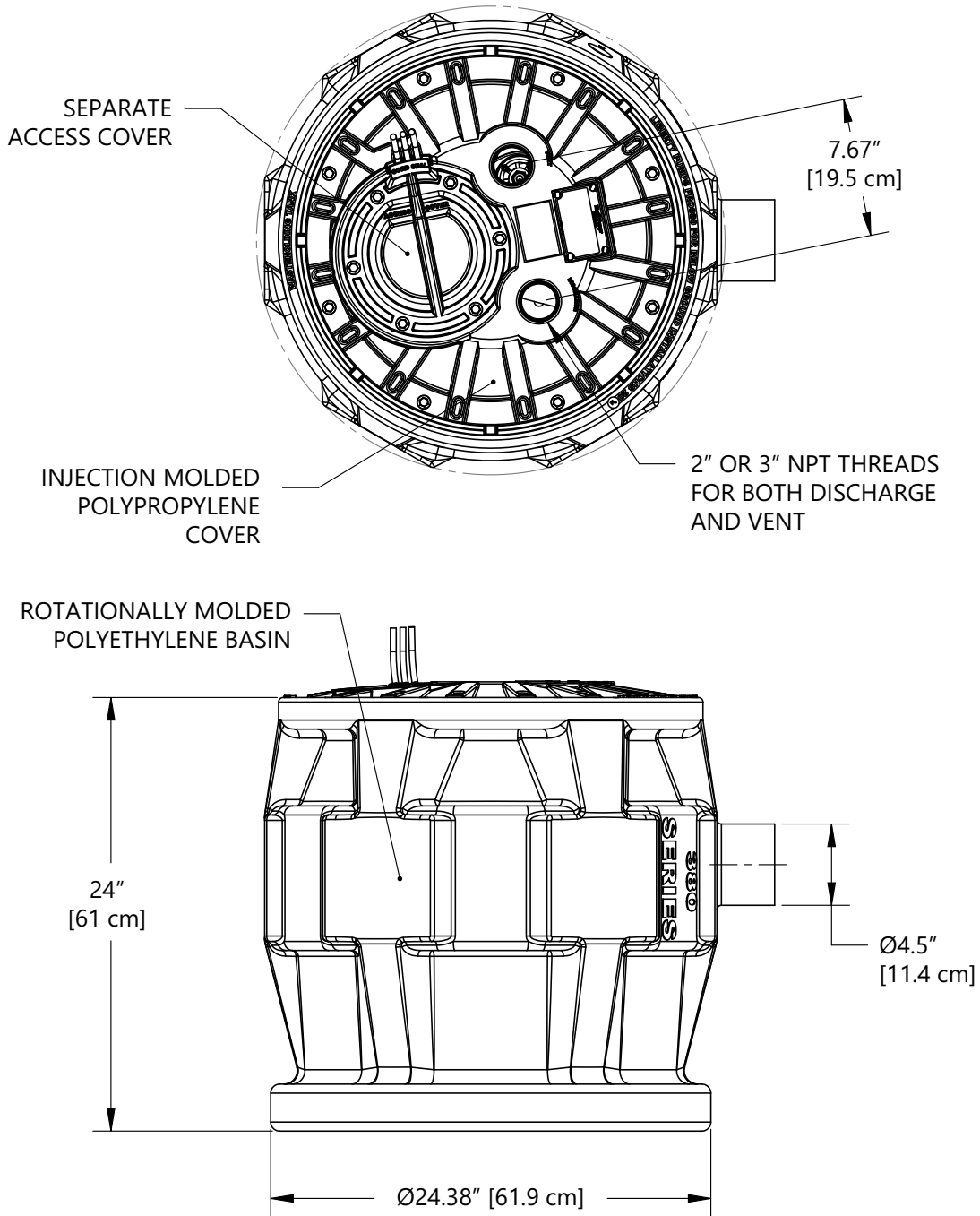


Product Specification

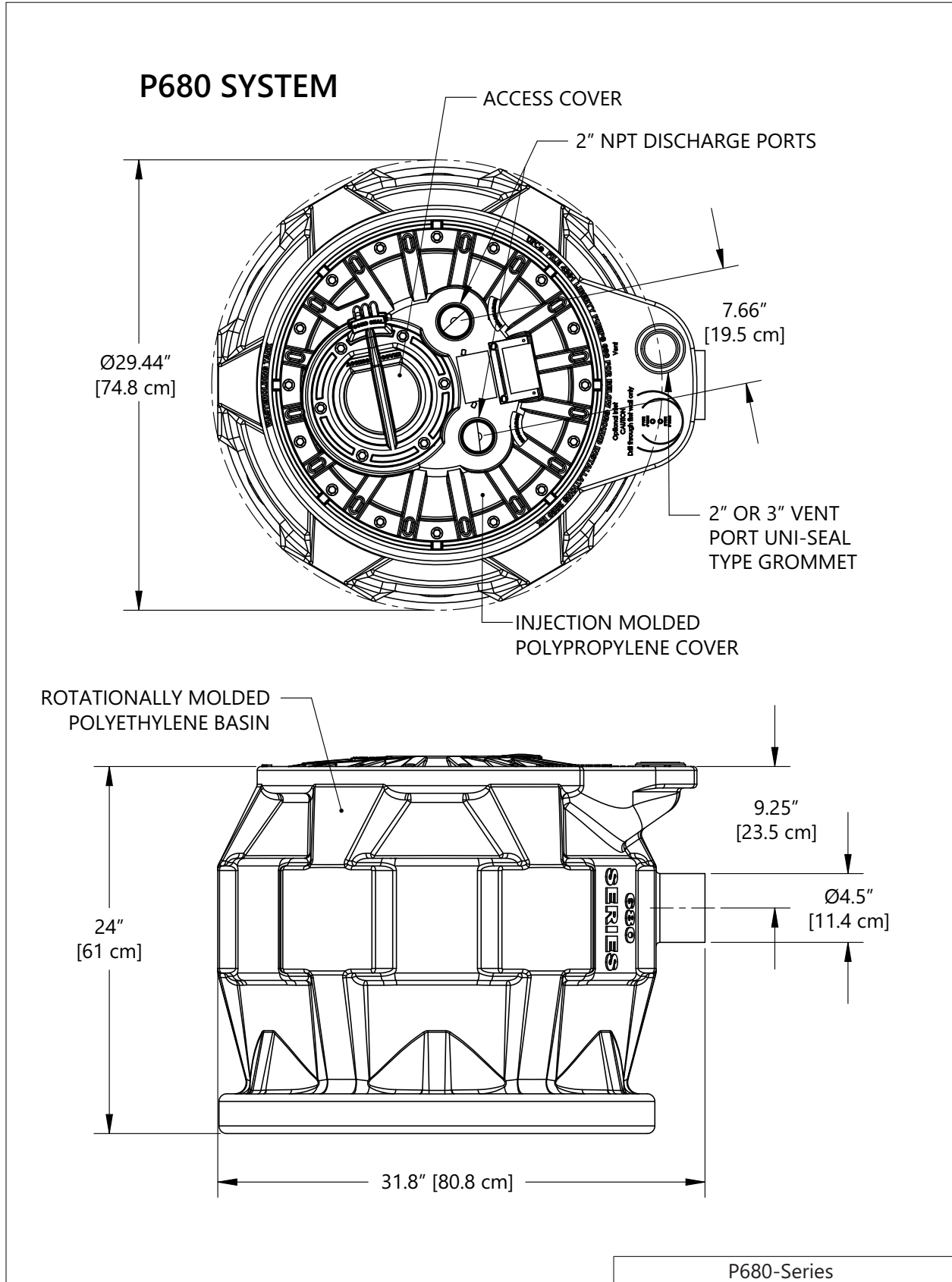
ProVore® 380 & ProVore® 680-Series Residential Grinder Packages



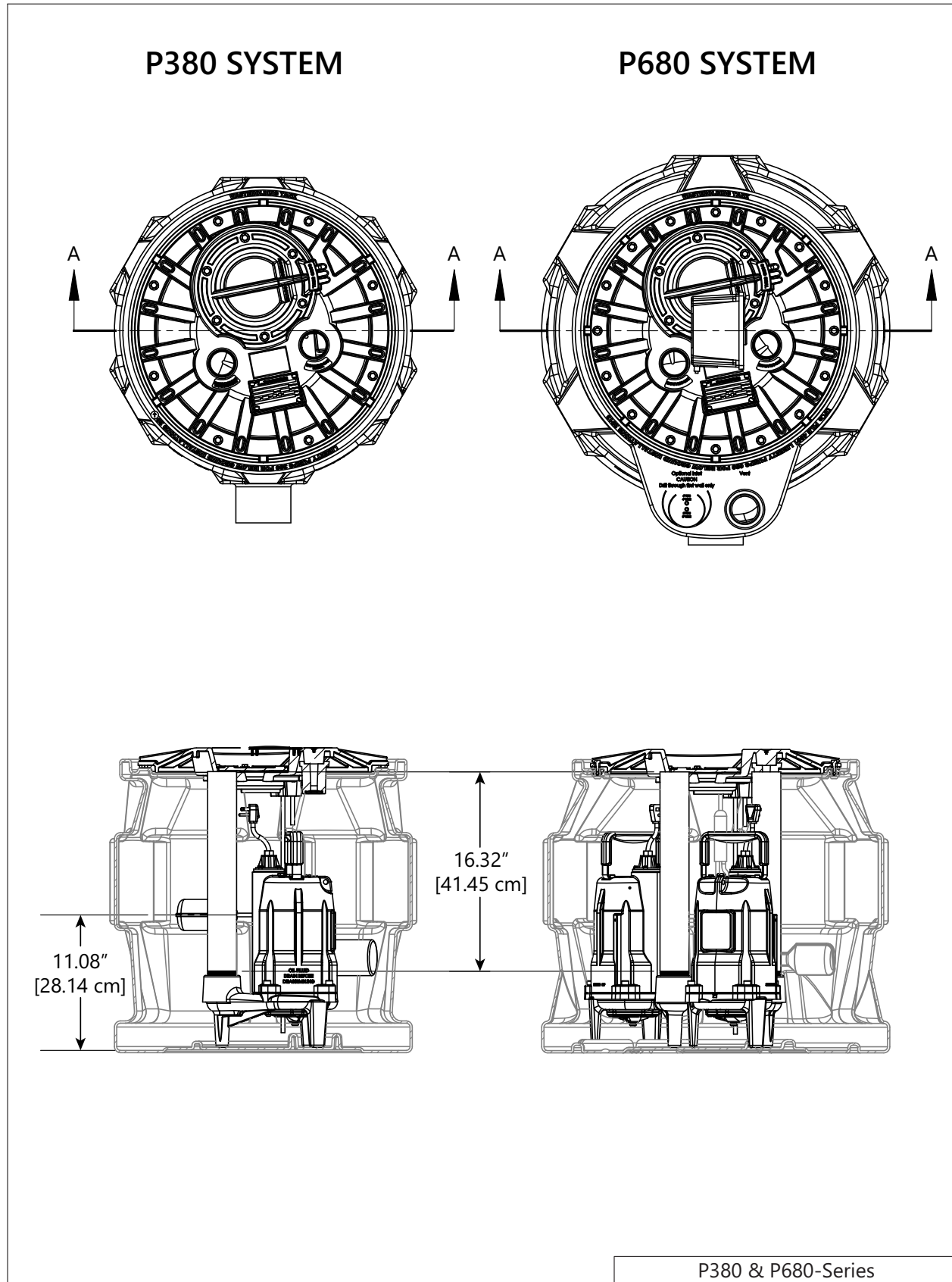
P380 SYSTEM



ProVore®380 & ProVore®680-Series Dimensional Data

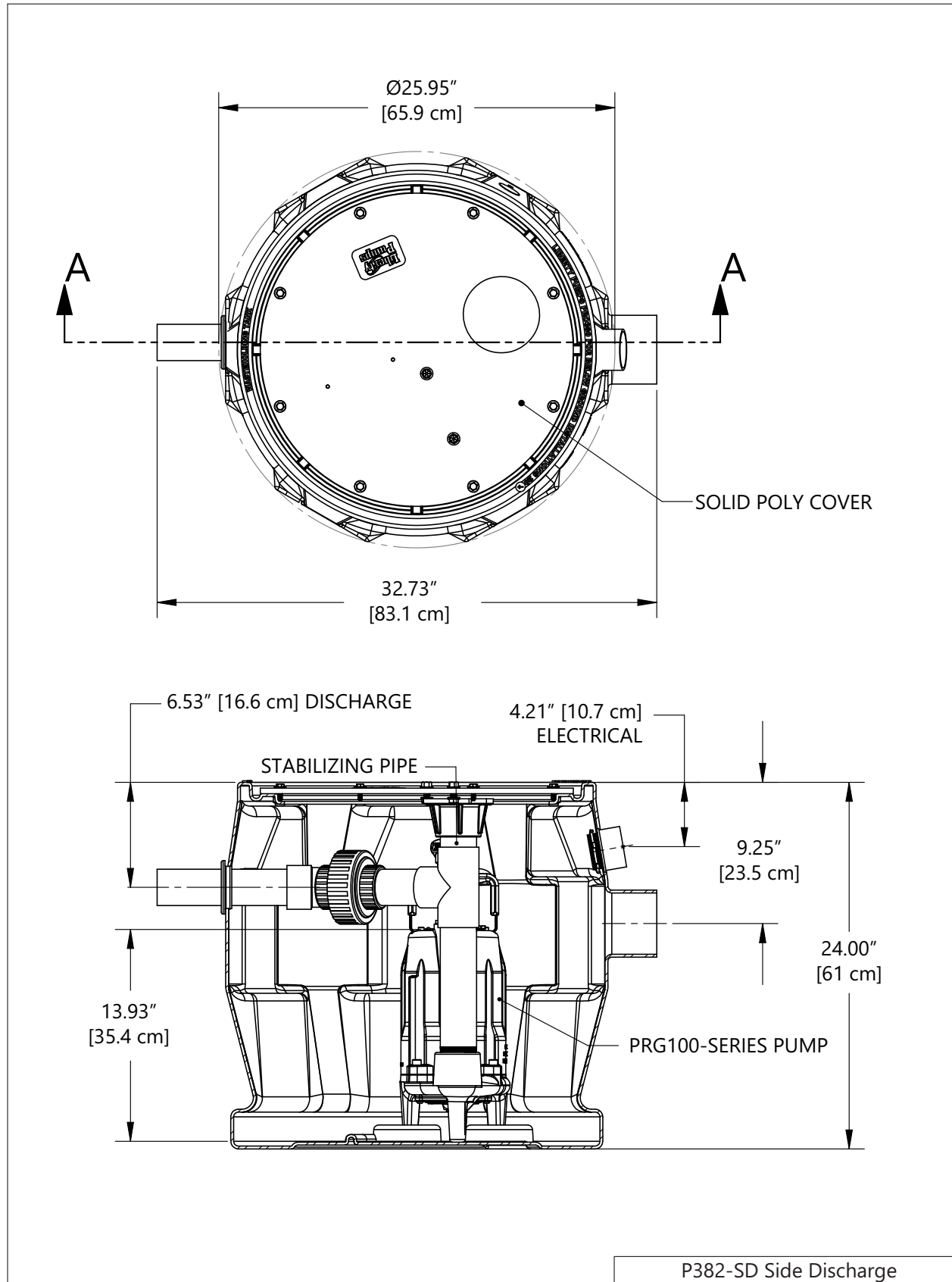


ProVore®380 & ProVore®680-Series Dimensional Data

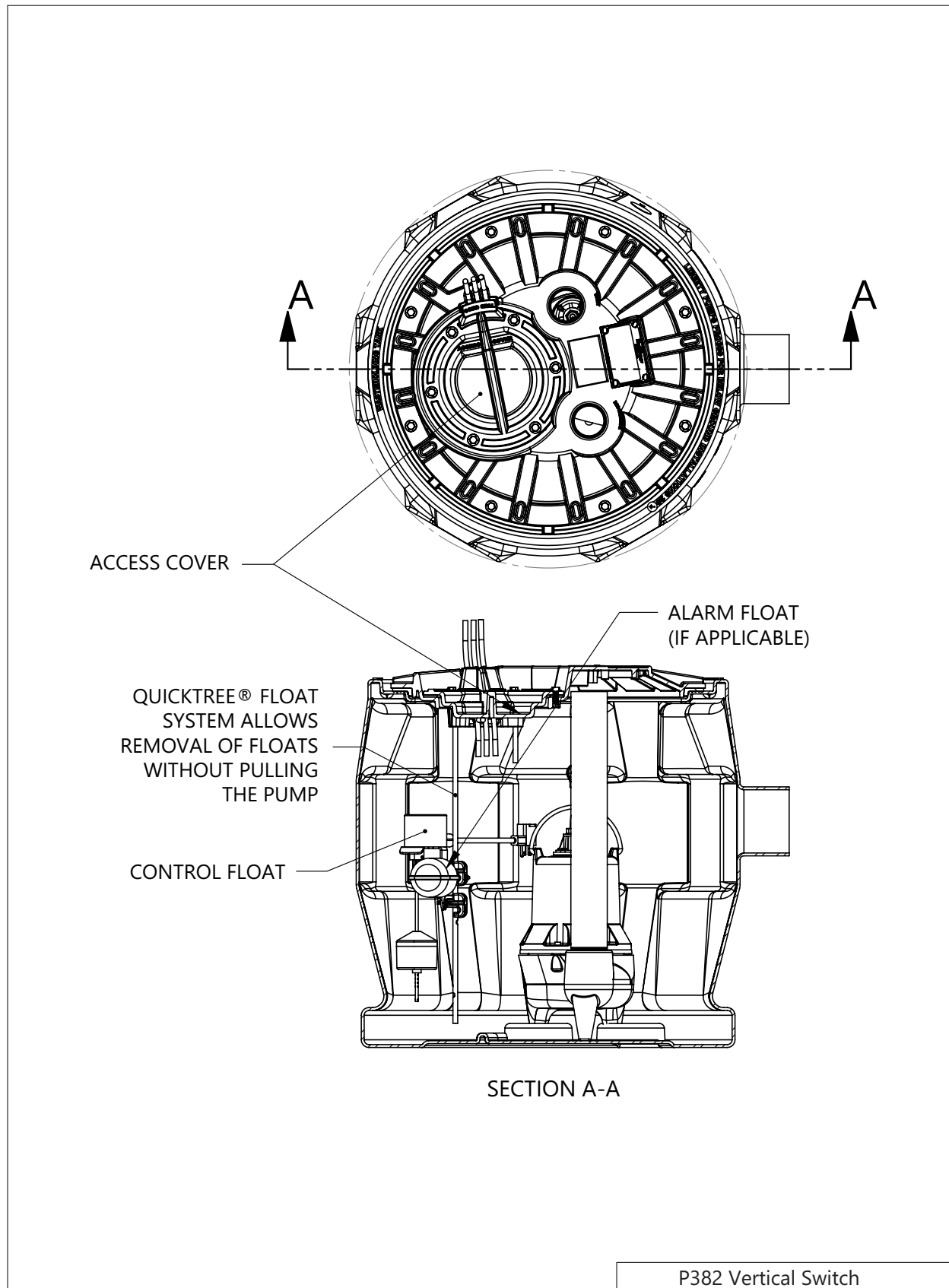


P380 & P680-Series

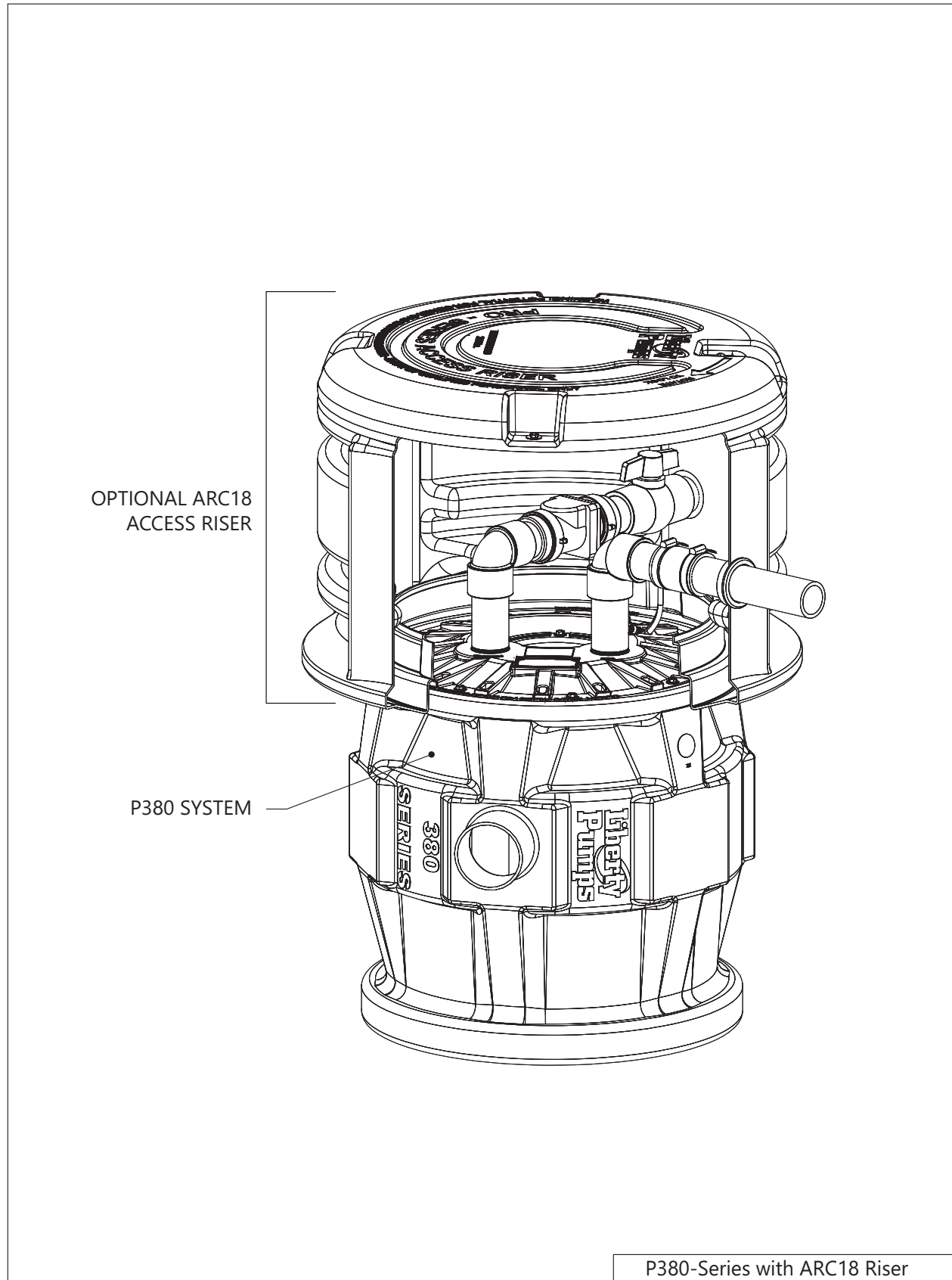
ProVore®380 & ProVore®680-Series Dimensional Data



ProVore®380 & ProVore®680-Series Dimensional Data

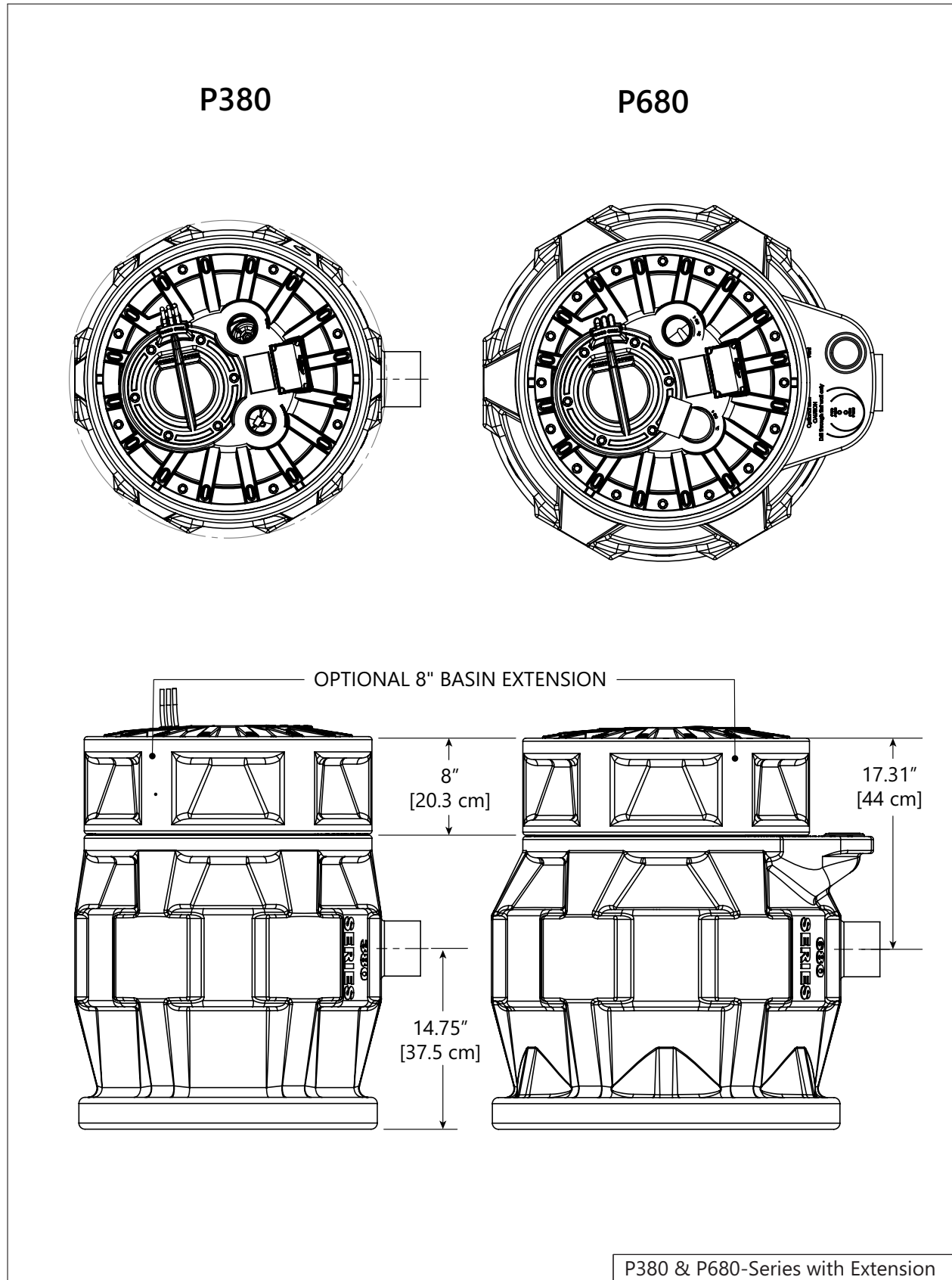


ProVore®380 & ProVore®680-Series Dimensional Data



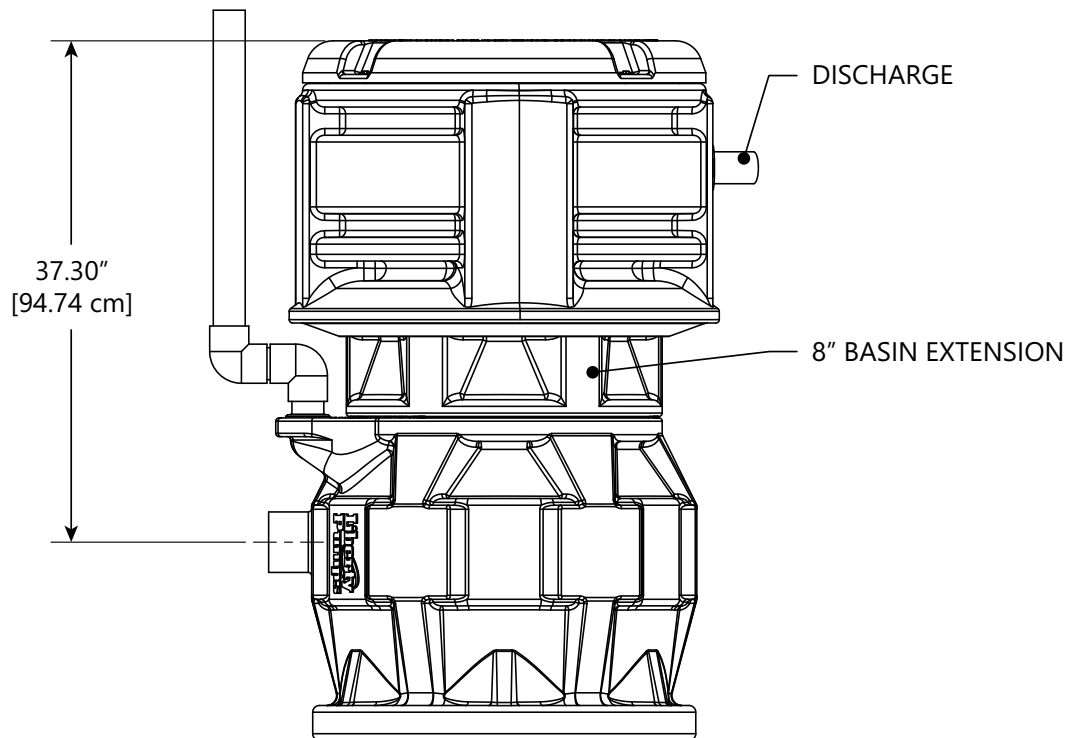
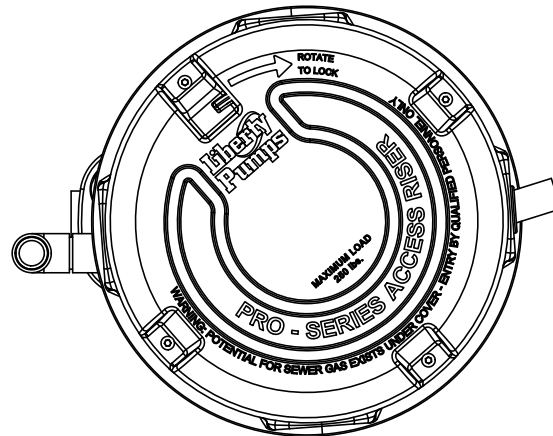
P380-Series with ARC18 Riser

ProVore®380 & ProVore®680-Series Dimensional Data



P380 & P680-Series with Extension

P680 OUTDOOR APPLICATION



P680 with X8-D and ARC18

ProVore®380 & ProVore®680-Series Electrical Data

MODEL	HP	VOLTAGE	PHASE	SF	FULL LOAD AMPS	LOCKED ROTOR AMPS	THERMAL OVERLOAD TEMP	STATOR WINDING CLASS	DISCHARGE	AUTOMATIC
P382XPRG101	1	115	1	1.00	12	47	105°C 221°F	B	2"	YES
P382XPRG101V	1	115	1	1.00	12	47	105°C 221°F	B	2"	YES (VERTICAL)
P382PRG101SD-2	1	115	1	1.00	12	47	105°C 221°F	B	2" (SIDE)	YES
P382XPRG102	1	230	1	1.00	6	23.7	105°C 221°F	B	2"	YES
P682XPRG101	1	115	1	1.00	12	47	105°C 221°F	B	2"	YES
P682XPRG101W	1	115	1	1.00	12	47	105°C 221°F	B	2"	YES (OUTDOOR PANEL)
P682XPRG102	1	230	1	1.00	6	23.7	105°C 221°F	B	2"	YES
P682XPRG102W	1	230	1	1.00	6	23.7	105°C 221°F	B	2"	YES (OUTDOOR PANEL)

ProVore®380 & ProVore®680-Series Technical Data

SYSTEM	TANK	UPC LISTED POLYETHYLENE BASIN MEETS IAPMO PS52 10' STACK TEST
	COVER	POLYPROPYLENE (SIDE DISCHARGE MODEL – HDPE)
	GUIDE RAIL	NONE – PUMPS PULL OUT WITH COVER
	INLET HUB	INCORPORATED INTO TANK
	DISCHARGE PIPE	SCHEDULE 80 PVC
	CONTROLS	P380 SYSTEMS – PIGGYBACK FLOATS P680 SYSTEMS – PDC CONTROL
PUMP	IMPELLER	CAST IRON
	SOLIDS HANDLING SIZE	GRINDER PUMP – 0.2"
	PAINT	POWDER COAT
	MAX LIQUID TEMP	60°C [140°F] INTERMITTENT
	THERMAL OVERLOAD	105°C [221°F]
	POWER CORD TYPE	SJTW
	MOTOR HOUSING	CAST IRON
	VOLUTE	CAST IRON
	SHAFT	303 STAINLESS STEEL
	HARDWARE	STAINLESS STEEL
	O-RINGS	BUNA-N
	MECHANICAL SEAL	UNITIZED GRAPHITE IMPREGNATED SILICON CARBIDE

ProVore®380 & ProVore®680-Series Specifications

See individual pump specification for more details on the pump(s).

1.01 WARRANTY

Standard limited warranty shall be 3 years.