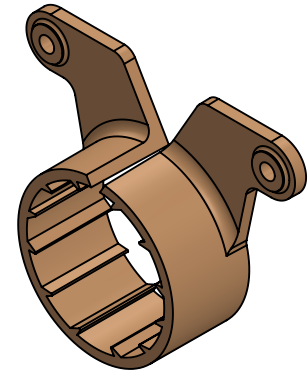
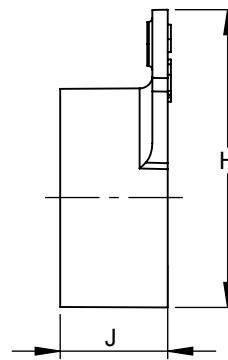
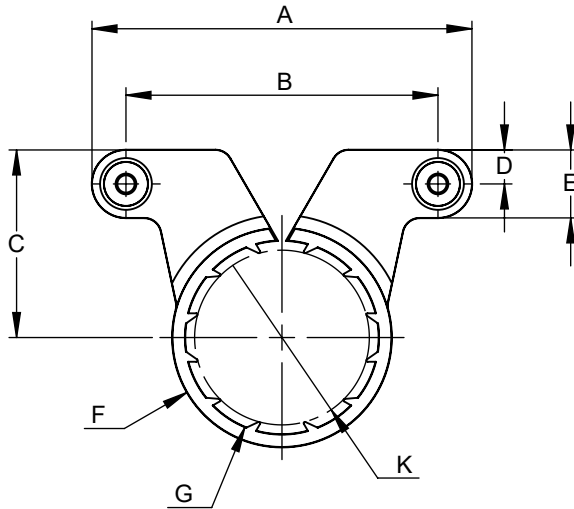


# HoldRite® Suspension Clamps

The HoldRite #22X Series Suspension Clamps are designed to support 1/2" through 2" tubing. Helps to eliminate noise transfer and isolates against dissimilar metal contact. #221 thru #226 compatible with Copper, PEX, CPVC or other CTS tubing. #227 & #228 compatible with Cast Iron, PVC, ABS or other IPS tubing.

## Product Information

- Material:  
Polypropylene, Tan, #221 thru #226 (CTS)  
Polypropylene, Gray, #227 & #228 (IPS)



#224 Shown

All Dimensions in Inches

Model	Size	A	B	C	D	E	F	G	H	J	K
#221	1/2"	2.16	1.63	1.08	.27	.53	Ø.90	Ø.76	1.53	.69	Ø.62
#222	3/4"	2.16	1.63	1.13	.27	.53	Ø1.17	Ø1.02	1.72	.70	Ø.87
#223	1"	2.16	1.63	1.27	.27	.53	Ø1.44	Ø1.27	1.99	.75	Ø1.12
#224	1-1/4"	2.97	2.44	1.47	.27	.53	Ø1.71	Ø1.52	2.33	.84	Ø1.37
#225	1-1/2"	2.97	2.44	1.67	.27	.53	Ø1.98	Ø1.77	2.66	.88	Ø1.62
#226	2"	3.78	3.25	1.87	.27	.53	Ø2.50	Ø2.27	3.12	.99	Ø2.12
#227	1-1/2"	2.97	2.44	1.67	.27	.53	Ø2.26	Ø2.04	2.80	.88	Ø1.89
#228	2"	3.78	3.25	1.87	.27	.53	Ø2.75	Ø2.52	3.25	.99	Ø2.37

Product Submittal	
Name	
Date	
Architect/Owner	
Contractor	
Tag	
Notes	

