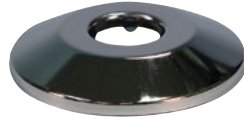




V24, V27 and V34 Recessed  
Escutcheon



V27 and V34 Flush  
Escutcheon



V46 Flush Escutcheon  
(China Only)

## 1.0 PRODUCT DESCRIPTION

- Intended for use with: Victaulic® FireLock™ V24, V27 and V34 recessed and flush pendent sprinklers and V46 pendent sprinklers
- Victaulic® FireLock™ escutcheons are agency-certified for use with Victaulic® FireLock™ sprinklers exclusively. No other escutcheons may be used with Victaulic® FireLock™ sprinklers.
- The V46 flush escutcheon is for decorative purposes only. The V4601 sprinkler is not approved for use in ceilings.

## 2.0 CERTIFICATION/LISTINGS

Refer to specific product submittals and agency certifications for details.

## 3.0 SPECIFICATIONS – MATERIAL

**Standard Material:** Cold Rolled Steel

**Optional Materials:**

Brass

Stainless Steel

**Finishes:**

Chrome

White polyester coating

Custom

**NOTE**

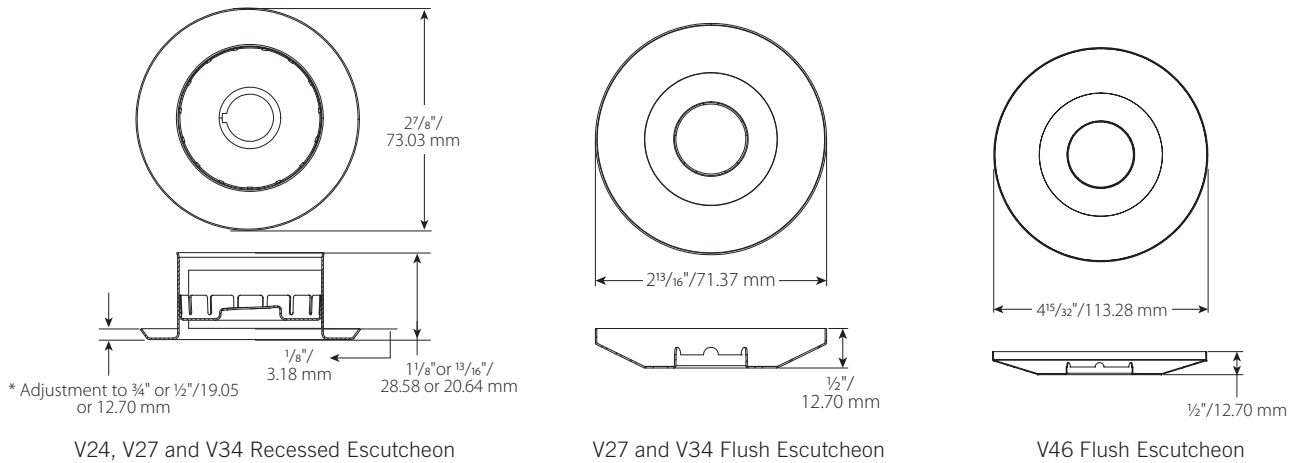
- All VC-250 coated sprinklers must use stainless steel escutcheons. Stainless steel and brass options are available painted black, white or custom. See current Price List for complete offering.

**ALWAYS REFER TO ANY NOTIFICATIONS AT THE END OF THIS DOCUMENT REGARDING PRODUCT INSTALLATION, MAINTENANCE OR SUPPORT.**

System No.		Location	
Submitted By		Date	

Spec Section		Paragraph	
Approved		Date	

## 4.0 DIMENSIONS



## 5.0 PERFORMANCE

Not applicable – contact Victaulic with any questions.

## 6.0 NOTIFICATIONS

### WARNING



- Always read and understand installation, care, and maintenance instructions, supplied with each box of sprinklers, before proceeding with installation of any sprinklers.
- Always wear safety glasses and foot protection.
- Depressurize and drain the piping system before attempting to install, remove, or adjust any Victaulic piping products.
- Installation rules, especially those governing obstruction, must be strictly followed.
- Painting, plating, or any re-coating of sprinklers (other than that supplied by Victaulic) is not allowed.

Failure to follow these instructions could result in serious personal injury and/or property damage.

The owner is responsible for maintaining the fire protection system and devices in proper operating condition. For minimum maintenance and inspection requirements, refer to the current National Fire Protection Association pamphlet that describes care and maintenance of sprinkler systems. In addition, the authority having jurisdiction may have additional maintenance, testing, and inspection requirements that must be followed.

If you need additional copies of this publication, or if you have any questions about the safe installation of this product, contact Victaulic World Headquarters: P.O. Box 31, Easton, Pennsylvania 18044-0031 USA, Telephone: 001-610-559-3300.

## 7.0 REFERENCE MATERIALS

- [40.10: FireLock™ K5.6 Models V2703, V2704, V2707, V2708 submittal](#)
- [40.11: FireLock™ Models V2709 V2710 Submittal](#)
- [40.15: Models V3401, V3402, V3405, V3406](#)
- [40.17: V2725, V2726, K5.6 Sprinklers submittal](#)
- [40.18: FireLock™ V27 K80 submittal](#)
- [40.20: Models V3403, V3404, V3407, V3408 submittal](#)
- [40.22: Models V2721, V2722, V2723, V2724 submittal](#)
- [40.27: Models V2753 and V2754 submittal](#)
- [40.30: Models V3411 Standard Response, V3412 Quick Response](#)
- [40.31: Models V3413 Standard Response, V3414 Quick Response](#)
- [40.34: Models V3421, V3425 Standard Response](#)
- [40.40: FireLock™ Models V2701, V2702, V2705, V2706 Submittal](#)
- [40.47: FireLock™ Model V2740 Submittal](#)
- [40.48: v3426 Quick Response](#)
- [40.49: FireLock™ Model V2744 Submittal](#)
- [40.52: FireLock™ Model V2742 Submittal](#)
- [40.54: FireLock™ Model V2738 Submittal](#)
- [40.87: FireLock™ K4.2 Sprinkler V24 submittal](#)
- [40.95: FireLock™ Model V4601 LP-46 submittal](#)
- [40.98: FireLock™ Model V4603 LP-46 submittal](#)
- [I-40: FireLock™ Automatic Sprinklers Installation Manual](#)

### User Responsibility for Product Selection and Suitability

Each user bears final responsibility for making a determination as to the suitability of Victaulic products for a particular end-use application, in accordance with industry standards and project specifications, and the applicable building codes and related regulations as well as Victaulic performance, maintenance, safety, and warning instructions. Nothing in this or any other document, nor any verbal recommendation, advice, or opinion from any Victaulic employee, shall be deemed to alter, vary, supersede, or waive any provision of Victaulic Company's standard conditions of sale, installation guide, or this disclaimer.

### Intellectual Property Rights

No statement contained herein concerning a possible or suggested use of any material, product, service, or design is intended, or should be construed, to grant any license under any patent or other intellectual property right of Victaulic or any of its subsidiaries or affiliates covering such use or design, or as a recommendation for the use of such material, product, service, or design in the infringement of any patent or other intellectual property right. The terms "Patented" or "Patent Pending" refer to design or utility patents or patent applications for articles and/or methods of use in the United States and/or other countries.

### Note

This product shall be manufactured by Victaulic or to Victaulic specifications. All products to be installed in accordance with current Victaulic installation/assembly instructions. Victaulic reserves the right to change product specifications, designs and standard equipment without notice and without incurring obligations.

### Installation

Reference should always be made to the Victaulic installation handbook or installation instructions of the product you are installing. Handbooks are included with each shipment of Victaulic products, providing complete installation and assembly data, and are available in PDF format on our website at [www.victaulic.com](http://www.victaulic.com).

### Warranty

Refer to the Warranty section of the current Price List or contact Victaulic for details.

### Trademarks

*Victaulic* and all other Victaulic marks are the trademarks or registered trademarks of Victaulic Company, and/or its affiliated entities, in the U.S. and/or other countries.