

Brand hansgrohe
Art. Name Handshower Holder S
Art. Nr. 28331000
Surface Chrome
Pos. 1

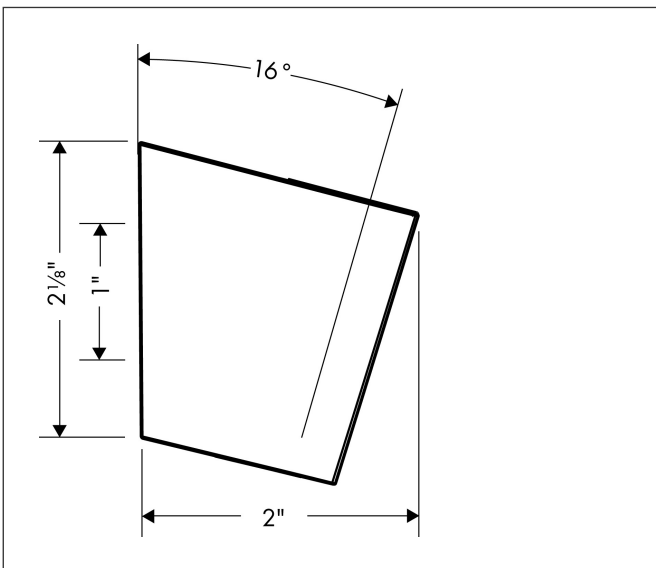
Product Picture



Features

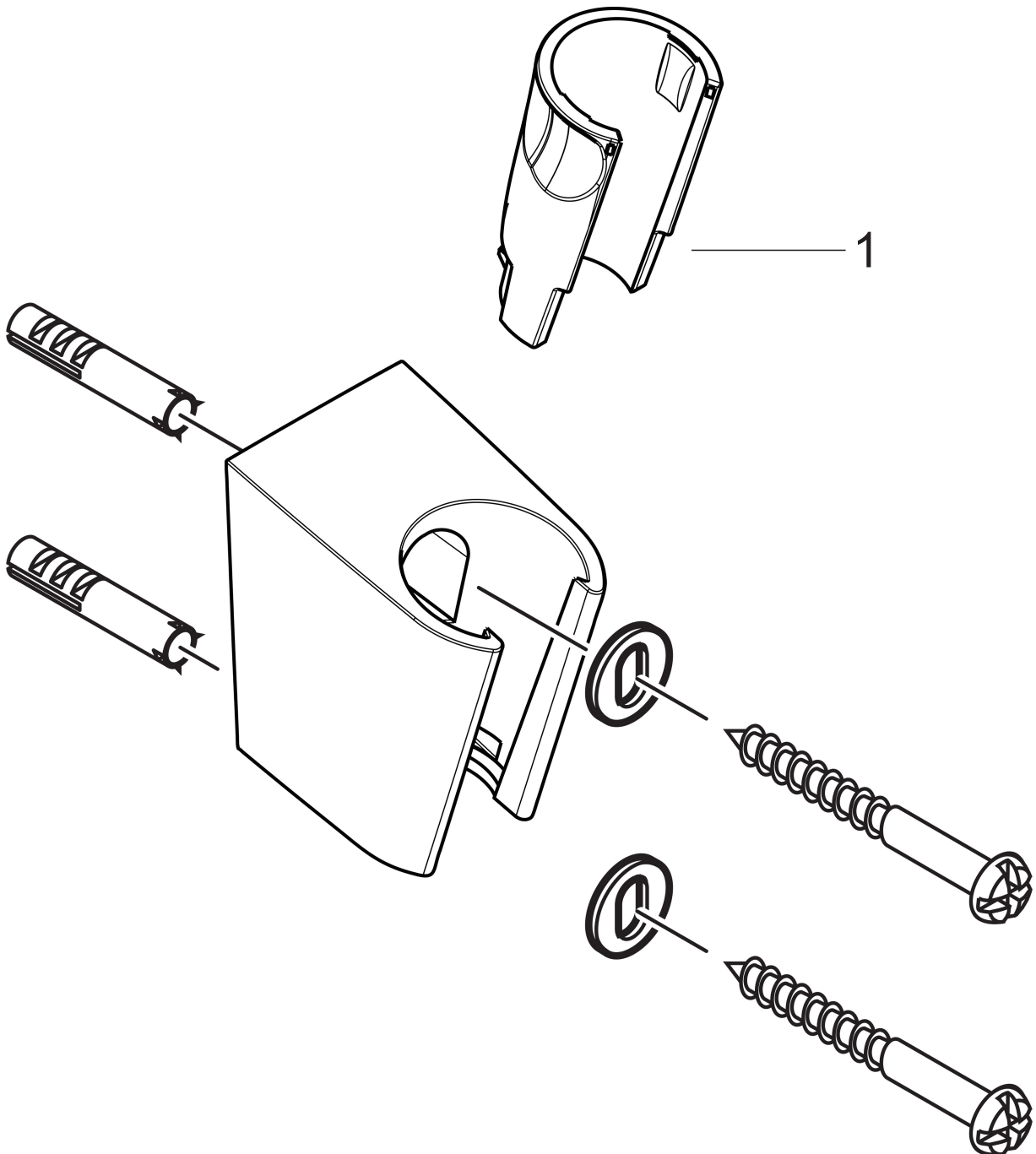
- For hose with conical nut
- Wall-mounted
- Dimensions: 53 x 37 x 50 mm (HxWxD)
- Diameter drill hole: 6 mm
- 2 drilled holes

Drawing



Brand hansgrohe
Art. Name Handshower Holder S
Art. Nr. 28331000
Surface Chrome
Pos. 1

Spare Parts Drawings for build year: >06/05



Brand hansgrohe
Art. Name Handshower Holder S
Art. Nr. 28331000
Surface Chrome
Pos. 1

Spare parts list for build year: >06/05

Pos.	Description	Article number
1	guide	98918000