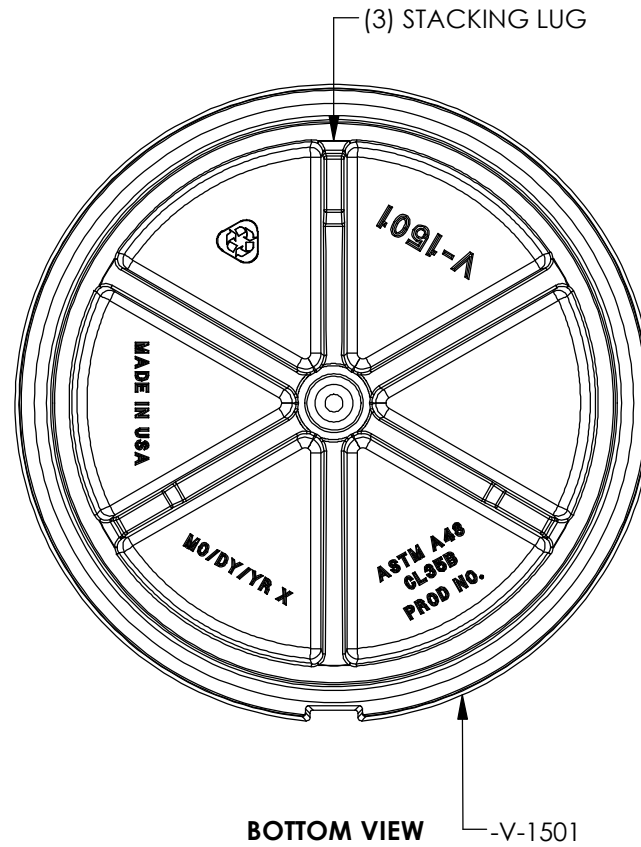
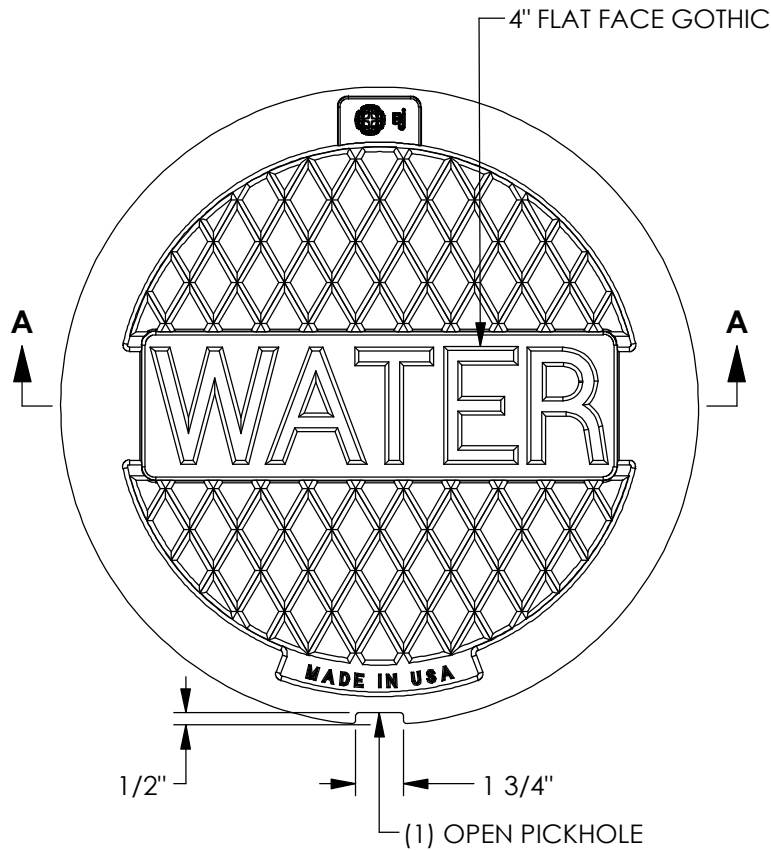
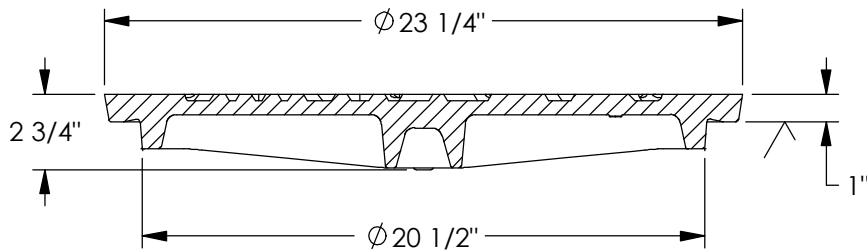


# V1501 Cover



-V-1501  
-ASTM A48 CL35B  
-PROD NO.  
-MO/DY/YR X  
-MADE IN USA  
-RECYCLE



SECTION A-A

## Product Number

41501053

## Design Features

- Materials  
Gray Iron (CL35B)
- Load Rating  
Heavy Duty H20
- Open Area  
n/a
- Coating  
Undipped
- √ Designates Machined Surface

## Certification

- ASTM A48
- AASHTO M306
- Country of Origin: USA

## Drawing Revision

12/19/2022 Designer: KK  
12/19/2022 Revised By: KK

## Disclaimer

Weights (lbs/kg), dimensions (inches/mm) and drawings provided for your guidance. We reserve the right to modify specifications without prior notice.

CONFIDENTIAL: This drawing is the property of EJ Group, Inc. and embodies confidential information, registered marks, patents, trade secret information, and/or know how that is the property of EJ Group, Inc. Copyright © 2021 EJ Group, Inc. All rights reserved.

## Contact

800 626 4653  
ejco.com