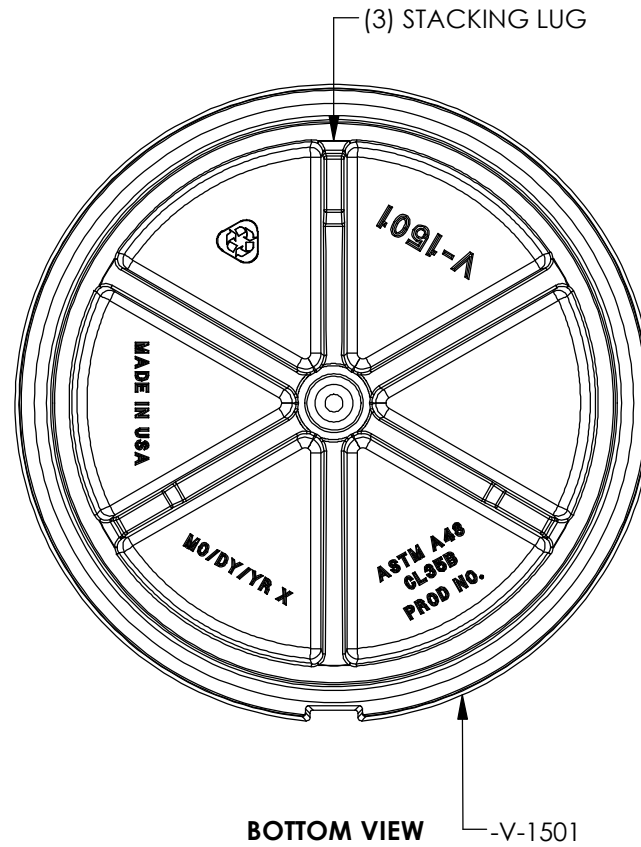
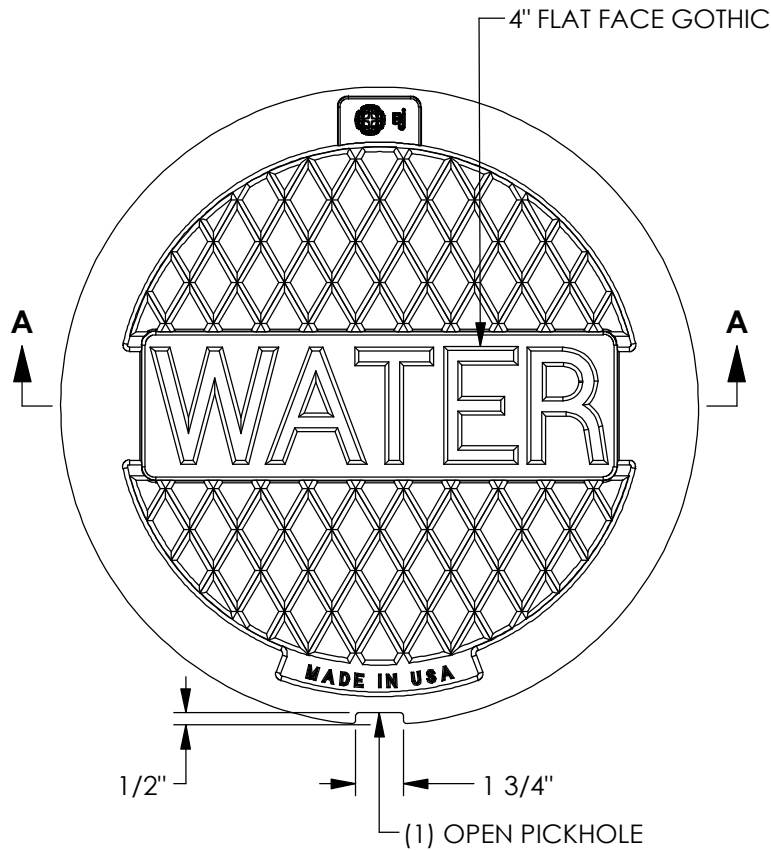
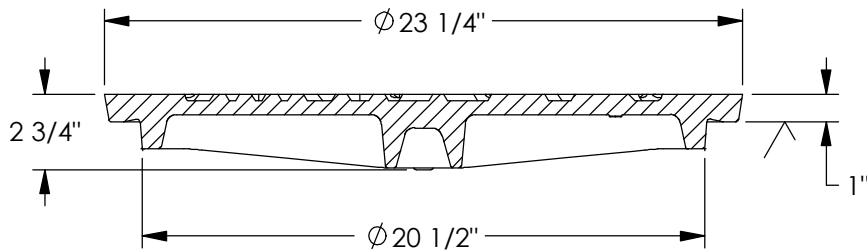


V1501 Cover



-V-1501
-ASTM A48 CL35B
-PROD NO.
-MO/DY/YR X
-MADE IN USA
-RECYCLE



SECTION A-A

Product Number

41501053

Design Features

- Materials
Gray Iron (CL35B)
- Load Rating
Heavy Duty H20
- Open Area
n/a
- Coating
Undipped
- √ Designates Machined Surface

Certification

- ASTM A48
- AASHTO M306
- Country of Origin: USA

Drawing Revision

12/19/2022 Designer: KK
12/19/2022 Revised By: KK

Disclaimer

Weights (lbs/kg), dimensions (inches/mm) and drawings provided for your guidance. We reserve the right to modify specifications without prior notice.

CONFIDENTIAL: This drawing is the property of EJ Group, Inc. and embodies confidential information, registered marks, patents, trade secret information, and/or know how that is the property of EJ Group, Inc. Copyright © 2021 EJ Group, Inc. All rights reserved.

Contact

800 626 4653
ejco.com