

Specifications

PF334

LAVATORY DRAIN ASSEMBLY

PUSH ACTIVATED



Product Features

- With plastic drain
- For lavatories with overflow holes
- Fits 1-1/4" drain connections

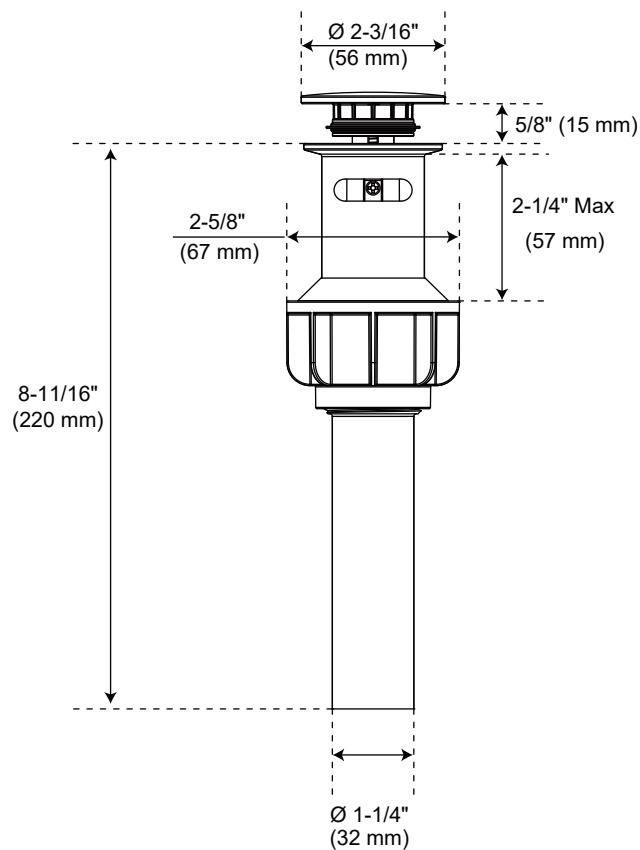
Codes and Certifications



- Certified to ASME A112.18.2 / CSA B125.2
- cUPC/IAPMO listed



PF334CP



For detailed warranty information, visit ferguson.com/proflo-faucet-warranty.