



**Forum™**  
60" x 36" above-floor-drain Vikrell® alcove bath, left  
drain  
**71621112**



**Features**

- Deep rectangular bath with modern aesthetic
- Durable high-gloss finish provides a smooth, shiny surface that is easy to clean
- Integral lumbar support
- Integral flat apron with minimalist design
- Integral flange provides superior water containment and simplifies alcove installation
- Textured bottom surface

**Material**

- Made from solid Vikrell® material for strength, durability, and lasting beauty

**Installation**

- Alcove
- Left drain
- Above-floor-drain (AFD) rough-in



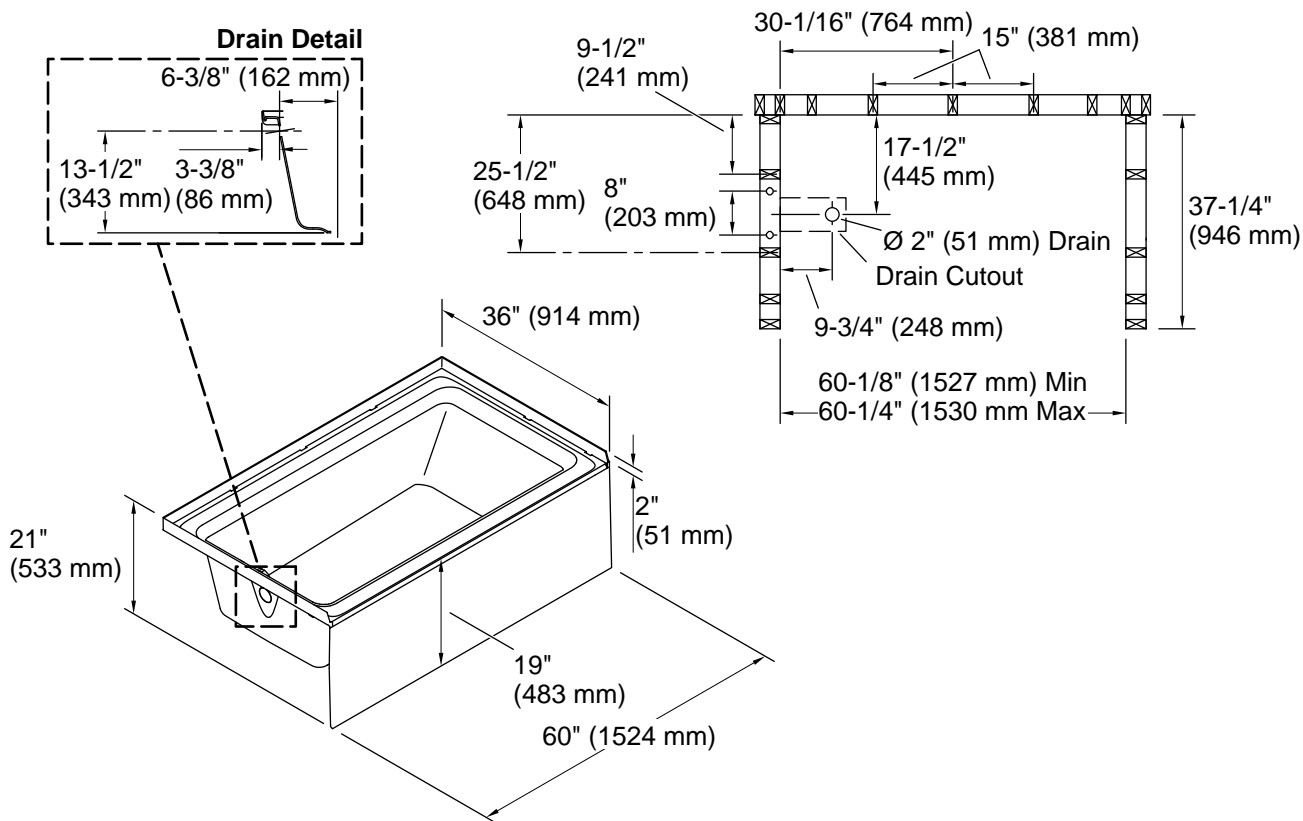
**ADA**

**Codes/Standards**

CSA B45.5/IAPMO Z124  
ASTM E162  
ASTM E662  
ADA  
ICC/ANSI A117.1

**STERLING® Vikrell® or Acrylic Baths  
and Shower Bases Ten-Year Limited  
Warranty**

See website for detailed warranty information.



### Technical Information

All product dimensions are nominal.

Drain location:	Left
Basin area, bottom:	44-13/16" x 22-5/16" (1138 mm x 567 mm)
Weight:	64.12 lbs (29.1 kg)
Water depth:	11-1/2" (292 mm)
Water capacity:	53.3 gal (201.8 L)
Minimum flat for door:	3" (76 mm)

### Notes

Install this product according to the installation instructions.  
ADA compliant when installed to the specific requirements of these regulations.