

# 20" Tankless Water Heater Filtration System with Filter

Job Name \_\_\_\_\_  
 Location \_\_\_\_\_  
 Engineer \_\_\_\_\_  
 Contractor \_\_\_\_\_  
 Tag \_\_\_\_\_ PO# \_\_\_\_\_

## Specifications

- Reduces sediment and scale
- System includes: housing, sediment filter, bracket, wrench, and lubricant
- 3/4" NPT inlet/outlet
- Housing is constructed of polypropylene
- Working pressure: 7.25-125 psi
- Working temperature: 39°F-113°F
- pH: 0.5-9.5
- Filter lifespan is 1 year
- Replacement filters available (Part # F9000R)

## Applications

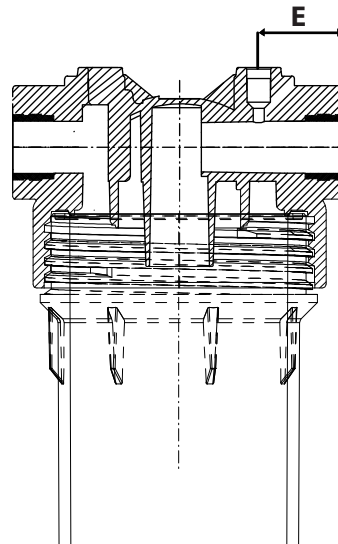
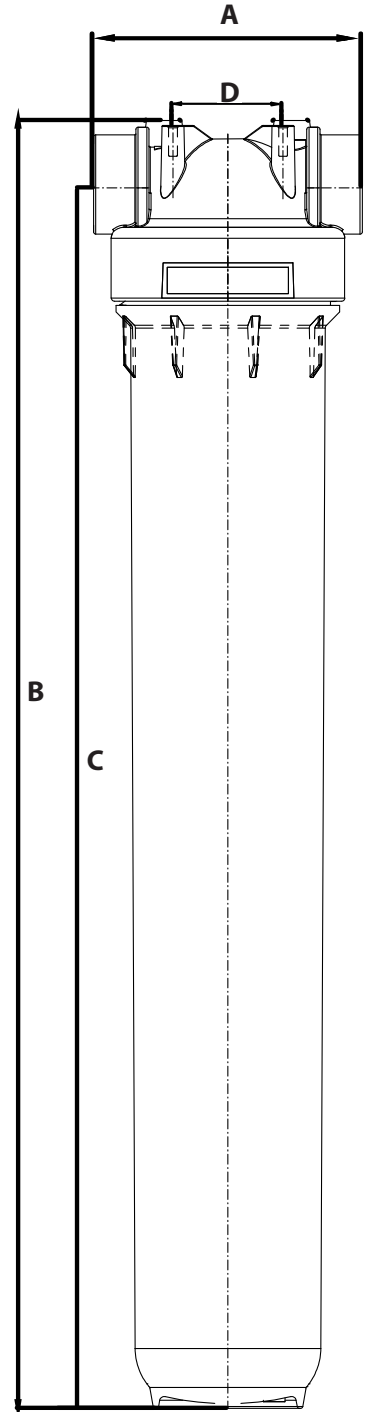
- Tankless Water Heaters

## Materials

- Polypropylene

## Dimensions and Product Offering

Part Code	A	B	C	D - Wall Bracket Screws	E - Gauge Port
F90000	4.77"	23"	21.76"	1.97"	1.24"



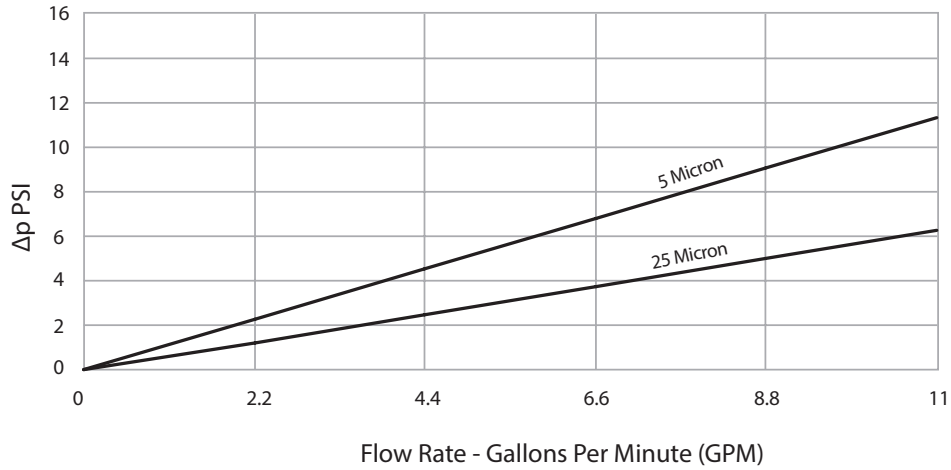
## Certifications/Listings/Approvals

- IAMPO listed
- NSF/ANSI 42 certified
- NSF/ANSI/CAN 61/372 certified
- CSA B483.1 certified
- Lead Law Compliant and Third-Party Certified
- Vermont Act 193 Compliant
- SDWA Compliant



## Flow Rate vs Pressure Drop $\Delta p$

Testing mode: 68°F - 43.5 psi (20°C - 3 bar)



## Removal Efficiency in %

