

**HIGH-EFFICIENCY
R-32 SPLIT SYSTEM AIR CONDITIONER
UP TO 17.2 SEER2
2 TO 5 TONS**



Contents

Nomenclature2
 Product Specifications.....3
 Expanded Cooling Data.....4
 Performance Data20
 Wiring Diagram21
 Dimensions22
 Accessories.....22



Standard Features

- Two-Stage Copeland Ultra-Tech scroll compressor
- Quiet two-speed ECM outdoor fan motor
- Integrated communicating ComfortBridge™ Technology
- Commissioning and diagnostics via Bluetooth indoor board via CoolCloud™ App
- Copeland® ComfortAlert™ built in diagnostics
- Copper tube/enhanced aluminum fin coil - 5mm on 2.0-3.0T
- Color-coded terminal strip for non-communicating set-up
- Only two low-voltage wires required in communication mode
- Factory-installed filter drier
- Factory-installed transformer
- Factory-installed high and low-pressure switches
- High-density foam compressor sound blanket
- Fully charged for 15' of tubing length
- Ambient temperature sensors
- Ground lug connection
- AHRI Certified - ETL Listed

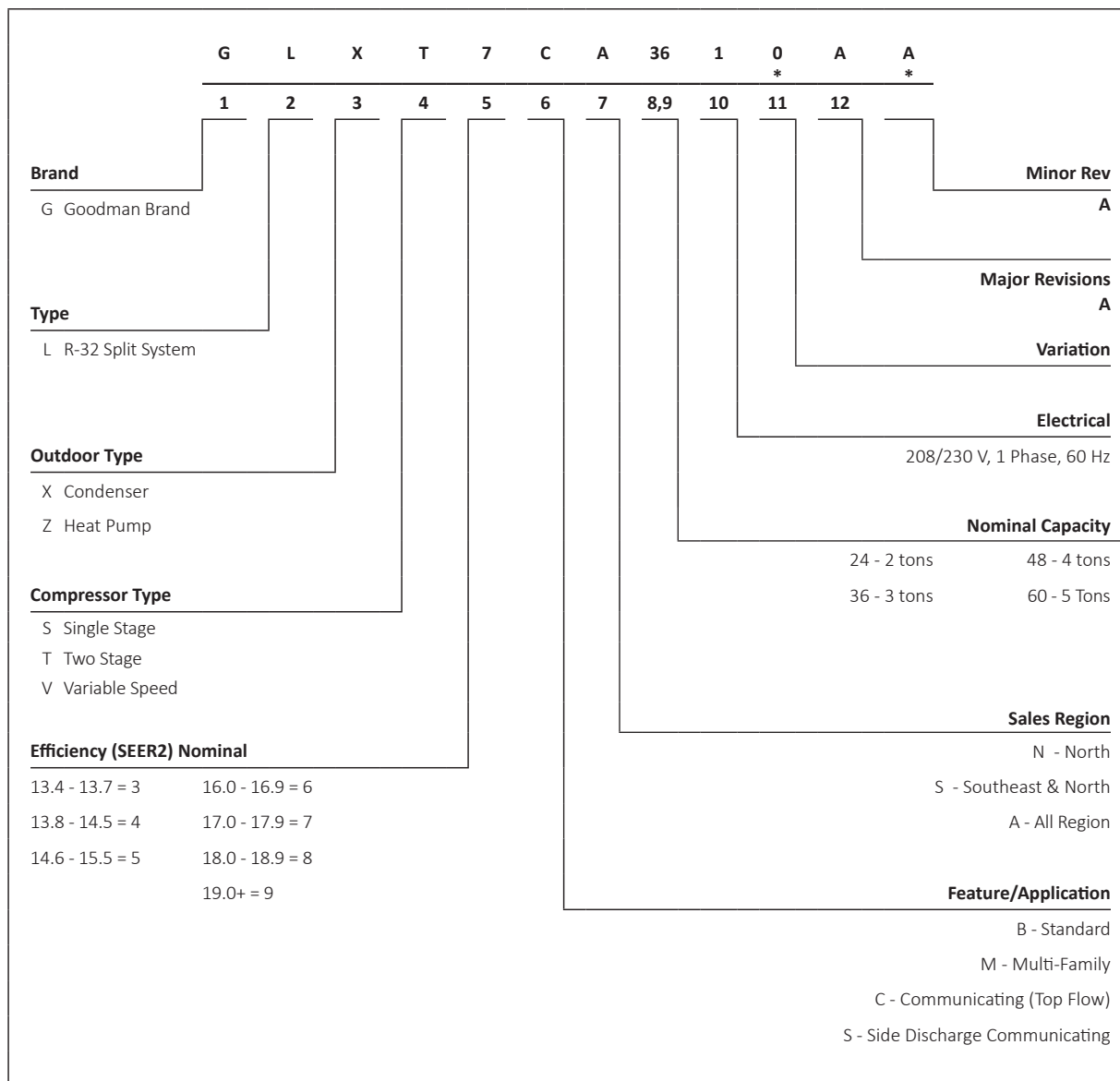
Cabinet Features

- Removable grille-style top design compliant with UL 60335-2-40
- Venturi for increased velocity of airflow
- Heavy-gauge galvanized steel cabinet
- Baked-on powder-paint finish with 500-hour salt-spray approval
- Steel louver coil guard with rust-resistant screws.
- Top and side maintenance access
- Single-panel access to controls with space for field-installed accessories
- Service valves with sweat connections and easy-access gauge ports
- When properly anchored, meets the 2023 Florida Building Code unit integrity requirements for hurricane-type winds (Anchor bracket kits available.)



* Complete warranty details available from your local dealer or at www.goodmanmfg.com. To receive the Lifetime Compressor Limited Warranty (good for as long as you own your home), 10-Year Unit Replacement Limited Warranty and 10-Year Parts Limited Warranty, online registration must be completed within 60 days of installation. Online registration and some of the additional requirements are not required in Florida, California, or Québec. The duration of warranty coverage in Texas and Florida differs in some cases. Other limitations and exclusions apply; refer to complete warranty details for a full list of limitations and exclusions.

NOMENCLATURE



	GLXT7CA 2410A*	GLXT7CA 3610A*	GLXT7CA 4810A*	GLXT7CA 6010A*
COOLING CAPACITY				
Nominal Cooling (BTU/h)	24,000	36,000	48,000	60,000
Decibels (High/Low)	69.0	70.0	73.0	75.0
COMPRESSOR				
RLA	9.9	14.5	23.2	27.1
LRA	68	91	128	178
Stage	Two	Two	Two	Two
Type	Scroll	Scroll	Scroll	Scroll
CONDENSER FAN MOTOR				
Motor Type	ECM	ECM	ECM	ECM
Horsepower (RPM)	⅓	⅓	⅓	⅓
FLA	2.60	2.60	2.60	2.60
REFRIGERATION SYSTEM				
Refrigerant Line Size ¹				
Liquid Line Size ("O.D.)	⅜"	⅜"	⅜"	⅜"
Suction Line Size ("O.D.)	¾"	⅞"	1⅛"	1⅛"
Refrigerant Connection Size				
Liquid Valve Size ("O.D.)	⅜"	⅜"	⅜"	⅜"
Suction Valve Size ("O.D.") ^{2,3}	¾"	¾"	⅞"	⅞"
Valve Connection Type	Sweat	Sweat	Sweat	Sweat
Refrigerant Charge ⁴	104	92	180	167
ELECTRICAL DATA				
Voltage-Phase-Hz	208/230-1	208/230-1	208/230-1	208/230-1
Minimum Circuit Ampacity ⁵	15.0	20.8	31.6	36.4
Max. Overcurrent Protection ⁶	20	35	50	60
Min / Max Volts	197/253	197/253	197/253	197/253
Electrical Conduit Size	½" or ¾"	½" or ¾"	½" or ¾"	½" or ¾"
EQUIPMENT WEIGHT (LBS)				
	214	216	276	283
SHIP WEIGHT (LBS)				
	219	221	281	288

¹ Line sizes denoted for 25' line sets, tested and rated in accordance with ARI Standard 210/240. For other line set lengths or sizes, refer to the Installation Instructions and/or the Long Line Set Applications guide.

² Any suction line adapter will need to be supplied by the field.

³ Unit is factory charged with refrigerant for 15' of ⅜" liquid line. System charge must be adjusted per the Final Charge Adjustment procedure found in the Installation Instructions.

⁴ Wire size should be determined in accordance with National Electrical Codes; extensive wire runs will require larger wire sizes

⁵ Must use time-delay fuses or HACR-type circuit breakers of the same size as noted.

NOTES

- Always check the S&R plate for electrical data on the unit being installed.

EXPANDED COOLING DATA — GLXT7CA2410**/CA*TA2422*3A*+EEP - HIGH STAGE

IDB	AIRFLOW	OUTDOOR AMBIENT TEMPERATURE																							
		65°F				75°F				85°F				95°F				105°F				115°F			
		59	63	67	71	59	63	67	71	59	63	67	71	59	63	67	71	59	63	67	71	59	63	67	71
70	MBh	24.3	24.7	25.4	-	24.1	24.4	25.2	-	23.5	23.8	24.5	-	22.4	22.7	23.4	-	21.0	21.4	22.1	-	19.8	20.1	20.9	-
	S/T	0.56	0.49	0.36	-	0.57	0.50	0.36	-	0.59	0.52	0.39	-	1.00	0.54	0.41	-	1.00	0.56	0.43	-	1.00	0.61	0.48	-
	ΔT	20	19	15	-	20	19	15	-	21	19	15	-	20	19	15	-	20	18	15	-	21	19	16	-
	kW	1.44	1.44	1.44	-	1.60	1.60	1.60	-	1.78	1.78	1.78	-	1.97	1.97	1.97	-	2.19	2.19	2.19	-	2.44	2.44	2.44	-
	Amps	4.7	4.7	4.6	-	5.4	5.4	5.3	-	6.1	6.1	6.1	-	7.0	7.0	7.0	-	7.9	7.9	7.9	-	9.0	9.0	9.0	-
840	MBh	24.7	25.1	25.8	-	24.5	24.9	25.6	-	23.9	24.2	25.0	-	22.8	23.1	23.9	-	21.4	21.8	22.5	-	20.2	20.6	21.3	-
	S/T	0.65	0.57	0.44	-	0.66	0.58	0.45	-	0.68	0.61	0.47	-	1.00	0.62	0.49	-	1.00	0.65	0.51	-	1.00	0.70	0.56	-
	ΔT	19	17	14	-	19	17	14	-	19	17	14	-	19	17	14	-	19	17	13	-	20	18	14	-
	kW	1.45	1.45	1.45	-	1.61	1.61	1.61	-	1.79	1.79	1.79	-	1.99	1.98	1.98	-	2.20	2.20	2.20	-	2.45	2.45	2.45	-
	Amps	4.7	4.7	4.7	-	5.4	5.4	5.4	-	6.2	6.2	6.2	-	7.0	7.0	7.0	-	8.0	8.0	7.9	-	9.1	9.1	9.0	-
900	MBh	24.9	25.3	26.0	-	24.7	25.1	25.8	-	24.1	24.4	25.2	-	23.0	23.3	24.1	-	21.7	22.0	22.7	-	20.4	20.8	21.5	-
	S/T	0.67	0.60	0.46	-	0.68	0.60	0.47	-	0.70	0.63	0.49	-	1.00	0.65	0.51	-	1.00	0.67	0.54	-	1.00	0.72	0.59	-
	ΔT	18	16	13	-	18	16	13	-	19	17	13	-	18	16	13	-	18	16	13	-	19	17	14	-
	kW	1.46	1.46	1.46	-	1.62	1.62	1.61	-	1.80	1.80	1.79	-	1.99	1.99	1.99	-	2.21	2.20	2.20	-	2.46	2.46	2.45	-
	Amps	4.7	4.7	4.7	-	5.4	5.4	5.4	-	6.2	6.2	6.2	-	7.0	7.0	7.0	-	8.0	8.0	8.0	-	9.1	9.1	9.1	-

IDB	AIRFLOW	OUTDOOR AMBIENT TEMPERATURE																							
		65°F				75°F				85°F				95°F				105°F				115°F			
		59	63	67	71	59	63	67	71	59	63	67	71	59	63	67	71	59	63	67	71	59	63	67	71
70	MBh	24.3	24.7	25.4	26.5	24.1	24.5	25.2	26.3	23.5	23.8	24.6	25.7	22.4	22.7	23.5	24.6	21.0	21.4	22.1	23.2	19.8	20.2	20.9	22.0
	S/T	0.69	0.62	0.48	0.3	0.70	0.62	0.49	0.4	1.00	0.65	0.51	0.4	1.00	0.67	0.53	0.4	1.00	0.69	0.55	0.4	1.00	1.00	0.61	0.5
	ΔT	25	23	19	16	24	23	19	16	25	23	19	16	24	23	19	16	24	22	19	15	25	24	20	16
	kW	1.44	1.44	1.44	1.5	1.60	1.60	1.60	1.6	1.78	1.78	1.78	1.8	1.97	1.97	1.97	2.0	2.19	2.19	2.18	2.2	2.44	2.44	2.44	2.4
	Amps	4.7	4.7	4.6	4.7	5.4	5.4	5.3	5.4	6.1	6.1	6.1	6.2	7.0	7.0	7.0	7.0	7.9	7.9	7.9	7.9	9.0	9.0	9.0	9.0
840	MBh	24.8	25.1	25.8	26.9	24.5	24.9	25.6	26.7	23.9	24.2	25.0	26.1	22.8	23.1	23.9	25.0	21.5	21.8	22.5	23.6	20.2	20.6	21.3	22.4
	S/T	0.77	0.70	0.57	0.4	1.00	0.71	0.57	0.4	1.00	0.73	0.60	0.5	1.00	0.75	0.62	0.5	1.00	0.77	0.64	0.5	1.00	1.00	0.69	0.6
	ΔT	23	21	18	14	23	21	18	14	23	21	18	14	23	21	18	14	23	21	17	14	24	22	19	15
	kW	1.45	1.45	1.45	1.46	1.61	1.61	1.61	1.62	1.79	1.79	1.79	1.80	1.98	1.98	1.98	1.99	2.20	2.20	2.20	2.21	2.45	2.45	2.45	2.46
	Amps	4.7	4.7	4.7	4.7	5.4	5.4	5.4	5.4	6.2	6.2	6.2	6.2	7.0	7.0	7.0	7.1	8.0	8.0	7.9	8.0	9.1	9.1	9.0	9.1
900	MBh	25.0	25.3	26.0	27.2	24.7	25.1	25.8	26.9	24.1	24.5	25.2	26.3	23.0	23.4	24.1	25.2	21.7	22.0	22.7	23.9	20.4	20.8	21.5	22.6
	S/T	0.80	0.72	0.59	0.5	1.00	0.73	0.60	0.5	1.00	0.75	0.62	0.5	1.00	0.77	0.64	0.5	1.00	1.00	0.66	0.5	1.00	1.00	0.71	0.6
	ΔT	22	21	17	14	22	21	17	13	23	21	17	14	22	21	17	13	22	20	17	13	23	21	18	14
	kW	1.46	1.46	1.45	1.5	1.62	1.62	1.61	1.6	1.80	1.79	1.79	1.8	1.99	1.99	1.98	2.0	2.20	2.20	2.20	2.2	2.46	2.46	2.45	2.5
	Amps	4.7	4.7	4.7	4.8	5.4	5.4	5.4	5.5	6.2	6.2	6.2	6.2	7.0	7.0	7.0	7.1	8.0	8.0	8.0	8.0	9.1	9.1	9.1	9.1

IDB = Entering Indoor Dry Bulb Temperature
 High and low pressures are measured at the liquid and suction service valves.
 Shaded area is ACCA (TVA) conditions
 kW = Total system power
 Amps = outdoor unit amps (comp.+fan)

EXPANDED COOLING DATA — GLXT7CA2410**/CA*TA2422*3A*+EEP - HIGH STAGE (CONT.)

IDB		OUTDOOR AMBIENT TEMPERATURE																							
		65°F				75°F				85°F				95°F				105°F				115°F			
		59	63	67	71	59	63	67	71	59	63	67	71	59	63	67	71	59	63	67	71	59	63	67	71
80	MBh	24.5	24.8	25.5	26.7	24.2	24.6	25.3	26.4	23.6	24.0	24.7	25.8	22.5	22.9	23.6	24.7	21.2	21.5	22.2	23.4	21.2	21.5	22.2	23.4
	S/T	1.00	0.74	0.61	0.5	1.00	0.74	0.61	0.5	1.00	0.77	0.64	0.5	1.00	1.00	0.66	0.5	1.00	1.00	0.68	0.5	1.00	1.00	0.68	0.5
	ΔT	29	27	23	20	29	27	23	20	29	27	24	20	29	27	23	20	28	26	23	19	29	28	24	21
	kW	1.44	1.44	1.44	1.5	1.60	1.60	1.60	1.6	1.78	1.78	1.78	1.8	1.97	1.97	1.97	2.0	2.19	2.19	2.19	2.2	2.44	2.44	2.44	2.5
	Amps	4.7	4.7	4.6	4.7	5.4	5.4	5.3	5.4	6.1	6.1	6.1	6.2	7.0	7.0	7.0	7.0	7.9	7.9	7.9	7.9	9.0	9.0	9.0	9.0
840	MBh	24.9	25.2	26.0	27.1	24.7	25.0	25.7	26.8	24.0	24.4	25.1	26.2	22.9	23.3	24.0	25.1	21.6	21.9	22.7	23.8	20.4	20.7	21.4	22.5
	S/T	1.00	0.82	0.69	0.6	1.00	0.83	0.70	0.6	1.00	0.85	0.72	0.6	1.00	1.00	0.74	0.6	1.00	1.00	0.76	0.6	1.00	1.00	0.81	0.7
	ΔT	27	25	22	18	27	25	22	18	27	25	22	18	27	25	22	18	27	25	21	18	28	26	23	19
	kW	1.45	1.45	1.45	1.46	1.61	1.61	1.61	1.62	1.79	1.79	1.79	1.80	1.99	1.98	1.98	1.99	2.20	2.20	2.20	2.21	2.45	2.45	2.45	2.46
	Amps	4.7	4.7	4.7	4.8	5.4	5.4	5.4	5.4	6.2	6.2	6.2	6.2	7.0	7.0	7.0	7.1	8.0	8.0	7.9	8.0	9.1	9.1	9.1	9.1
900	MBh	25.1	25.4	26.2	27.3	24.9	25.2	25.9	27.1	24.2	24.6	25.3	26.4	23.1	23.5	24.2	25.3	21.8	22.1	22.9	24.0	20.6	20.9	21.6	22.8
	S/T	1.00	0.84	0.71	0.6	1.00	0.85	0.72	0.6	1.00	0.88	0.74	0.6	1.00	1.00	0.76	0.6	1.00	1.00	0.78	0.6	1.00	1.00	0.83	0.7
	ΔT	27	25	21	18	26	25	21	18	27	25	21	18	26	25	21	18	26	24	21	17	27	26	22	18
	kW	1.46	1.46	1.45	1.5	1.62	1.62	1.61	1.6	1.80	1.80	1.79	1.8	1.99	1.99	1.99	2.0	2.21	2.20	2.20	2.2	2.46	2.46	2.45	2.5
	Amps	4.7	4.7	4.7	4.8	5.4	5.4	5.4	5.5	6.2	6.2	6.2	6.2	7.0	7.0	7.0	7.1	8.0	8.0	8.0	8.0	9.1	9.1	9.1	9.1

700	MBh	24.9	25.2	25.9	27.1	24.7	25.0	25.7	26.8	24.0	24.4	25.1	26.2	22.9	23.3	24.0	25.1	21.6	21.9	22.7	23.8	20.4	20.7	21.4	22.5
	S/T	1.00	0.84	0.70	0.6	1.00	1.00	0.71	0.6	1.00	1.00	0.74	0.6	1.00	1.00	0.75	0.6	1.00	1.00	0.78	0.6	1.00	1.00	1.00	0.7
	ΔT	32	30	27	23	32	30	27	23	32	31	27	24	32	30	27	23	32	30	27	23	33	31	28	24
	kW	1.45	1.45	1.44	1.5	1.61	1.60	1.60	1.6	1.78	1.78	1.78	1.8	1.98	1.98	1.97	2.0	2.19	2.19	2.19	2.2	2.45	2.44	2.44	2.5
	Amps	4.7	4.7	4.7	4.7	5.4	5.4	5.4	5.4	6.1	6.1	6.1	6.2	7.0	7.0	7.0	7.0	7.9	7.9	7.9	8.0	9.0	9.0	9.0	9.1
840	MBh	25.3	25.6	26.4	27.5	25.1	25.4	26.1	27.3	24.4	24.8	25.5	26.6	23.3	23.7	24.4	25.5	22.0	22.3	23.1	24.2	20.8	21.1	21.8	23.0
	S/T	1.00	0.92	0.79	0.7	1.00	1.00	0.80	0.7	1.00	1.00	0.82	0.7	1.00	1.00	0.84	0.7	1.00	1.00	1.00	0.7	1.00	1.00	1.00	0.8
	ΔT	31	29	25	22	31	29	25	22	31	29	26	22	31	29	25	22	30	29	25	22	32	30	26	23
	kW	1.46	1.46	1.45	1.47	1.62	1.62	1.61	1.63	1.80	1.79	1.79	1.80	1.99	1.99	1.98	2.00	2.20	2.20	2.20	2.21	2.46	2.46	2.45	2.47
	Amps	4.7	4.7	4.7	4.8	5.4	5.4	5.4	5.5	6.2	6.2	6.2	6.2	7.0	7.0	7.0	7.1	8.0	8.0	8.0	8.0	9.1	9.1	9.1	9.1
900	MBh	25.5	25.8	26.6	27.7	25.3	25.6	26.4	27.5	24.6	25.0	25.7	26.8	23.5	23.9	24.6	25.7	22.2	22.6	23.3	24.4	21.0	21.3	22.1	23.2
	S/T	1.00	0.94	0.81	0.7	1.00	1.00	0.82	0.7	1.00	1.00	0.84	0.7	1.00	1.00	0.86	0.7	1.00	1.00	1.00	0.7	1.00	1.00	1.00	0.8
	ΔT	30	28	25	21	30	28	25	21	30	29	25	21	30	28	25	21	30	28	25	21	31	29	26	22
	kW	1.46	1.46	1.46	1.5	1.62	1.62	1.62	1.6	1.80	1.80	1.80	1.8	1.99	1.99	1.99	2.0	2.21	2.21	2.20	2.2	2.46	2.46	2.46	2.5
	Amps	4.7	4.7	4.7	4.8	5.4	5.4	5.4	5.5	6.2	6.2	6.2	6.3	7.1	7.1	7.0	7.1	8.0	8.0	8.0	8.0	9.1	9.1	9.1	9.1

IDB = Entering Indoor Dry Bulb Temperature
 High and low pressures are measured at the liquid and suction service valves.
 Shaded area is ACCA (TVA) conditions
 kW = Total system power
 Amps = outdoor unit amps (comp.+fan)

EXPANDED COOLING DATA — GLXT7CA2410**/CA*TA2422*3A*+EEP - LOW STAGE

IDB AIRFLOW		OUTDOOR AMBIENT TEMPERATURE																							
		65°F				75°F				85°F				95°F				105°F				115°F			
		59	63	67	71	59	63	67	71	59	63	67	71	59	63	67	71	59	63	67	71	59	63	67	71
490	MBh	17.5	17.7	18.3	-	17.3	17.6	18.1	-	16.9	17.1	17.6	-	16.1	16.3	16.9	-	15.1	15.4	15.9	-	14.2	14.5	15.0	-
	S/T	0.58	0.50	0.37	-	0.59	0.51	0.37	-	0.61	0.53	0.40	-	1.00	0.55	0.42	-	1.00	0.58	0.44	-	1.00	0.63	0.49	-
	ΔT	20	18	15	-	20	18	15	-	20	18	15	-	20	18	15	-	19	18	14	-	21	19	15	-
	kW	0.91	0.91	0.91	-	1.01	1.01	1.01	-	1.12	1.12	1.12	-	1.24	1.24	1.24	-	1.38	1.38	1.37	-	1.54	1.54	1.53	-
	Amps	2.9	2.9	2.9	-	3.4	3.4	3.4	-	3.9	3.9	3.8	-	4.4	4.4	4.4	-	5.0	5.0	5.0	-	5.7	5.7	5.7	-
70	MBh	17.8	18.0	18.6	-	17.6	17.9	18.4	-	17.2	17.4	17.9	-	16.4	16.6	17.2	-	15.4	15.7	16.2	-	14.5	14.8	15.3	-
	S/T	0.67	0.59	0.45	-	0.67	0.60	0.46	-	1.00	0.62	0.49	-	1.00	0.64	0.51	-	1.00	0.66	0.53	-	1.00	1.00	0.58	-
	ΔT	18	16	13	-	18	16	13	-	18	17	13	-	18	16	13	-	18	16	13	-	19	17	14	-
	kW	0.92	0.91	0.91	-	1.02	1.01	1.01	-	1.13	1.13	1.13	-	1.25	1.25	1.25	-	1.38	1.38	1.38	-	1.54	1.54	1.54	-
	Amps	3.0	3.0	3.0	-	3.4	3.4	3.4	-	3.9	3.9	3.9	-	4.4	4.4	4.4	-	5.0	5.0	5.0	-	5.7	5.7	5.7	-
630	MBh	17.9	18.2	18.7	-	17.8	18.0	18.6	-	17.3	17.6	18.1	-	16.5	16.8	17.3	-	15.6	15.8	16.3	-	14.7	14.9	15.5	-
	S/T	0.69	0.61	0.48	-	0.70	0.62	0.48	-	1.00	0.64	0.51	-	1.00	0.66	0.53	-	1.00	0.69	0.55	-	1.00	1.00	0.60	-
	ΔT	18	16	13	-	18	16	13	-	18	16	13	-	18	16	13	-	17	16	12	-	19	17	13	-
	kW	0.92	0.92	0.92	-	1.02	1.02	1.02	-	1.13	1.13	1.13	-	1.25	1.25	1.25	-	1.39	1.39	1.38	-	1.55	1.55	1.54	-
	Amps	3.0	3.0	3.0	-	3.4	3.4	3.4	-	3.9	3.9	3.9	-	4.4	4.4	4.4	-	5.0	5.0	5.0	-	5.7	5.7	5.7	-

IDB AIRFLOW		OUTDOOR AMBIENT TEMPERATURE																							
		65°F				75°F				85°F				95°F				105°F				115°F			
		59	63	67	71	59	63	67	71	59	63	67	71	59	63	67	71	59	63	67	71	59	63	67	71
490	MBh	17.5	17.7	18.3	19.1	17.3	17.6	18.1	18.9	16.9	17.1	17.7	18.5	16.1	16.3	16.9	17.7	15.1	15.4	15.9	16.7	14.2	14.5	15.0	15.8
	S/T	0.71	0.63	0.50	0.4	1.00	0.64	0.50	0.4	1.00	0.66	0.53	0.4	1.00	0.68	0.55	0.4	1.00	1.00	0.57	0.4	1.00	1.00	0.62	0.5
	ΔT	24	22	19	15	24	22	18	15	24	22	19	15	24	22	18	15	23	22	18	15	24	23	19	16
	kW	0.91	0.91	0.90	0.9	1.01	1.01	1.01	1.0	1.12	1.12	1.12	1.1	1.24	1.24	1.24	1.2	1.38	1.38	1.37	1.4	1.54	1.54	1.53	1.5
	Amps	2.9	2.9	2.9	3.0	3.4	3.4	3.4	3.4	3.9	3.9	3.8	3.9	4.4	4.4	4.4	4.4	5.0	5.0	5.0	5.0	5.7	5.7	5.7	5.7
588	MBh	17.8	18.0	18.6	19.4	17.6	17.9	18.4	19.2	17.2	17.4	18.0	18.8	16.4	16.6	17.2	18.0	15.4	15.7	16.2	17.0	14.5	14.8	15.3	16.1
	S/T	0.80	0.72	0.58	0.4	1.00	0.73	0.59	0.4	1.00	0.75	0.62	0.5	1.00	0.77	0.63	0.5	1.00	1.00	0.66	0.5	1.00	1.00	0.71	0.6
	ΔT	22	20	17	14	22	20	17	14	22	21	17	14	22	20	17	14	22	20	17	13	23	21	18	14
	kW	0.91	0.91	0.91	0.92	1.01	1.01	1.01	1.02	1.13	1.13	1.12	1.13	1.25	1.25	1.25	1.25	1.38	1.38	1.38	1.39	1.54	1.54	1.54	1.55
	Amps	3.0	3.0	3.0	3.0	3.4	3.4	3.4	3.4	3.9	3.9	3.9	3.9	4.4	4.4	4.4	4.4	5.0	5.0	5.0	5.0	5.7	5.7	5.7	5.7
630	MBh	17.9	18.2	18.7	19.5	17.8	18.0	18.6	19.4	17.3	17.6	18.1	18.9	16.5	16.8	17.3	18.1	15.6	15.8	16.4	17.2	14.7	14.9	15.5	16.3
	S/T	0.82	0.74	0.61	0.5	1.00	0.75	0.61	0.5	1.00	0.77	0.64	0.5	1.00	0.79	0.66	0.5	1.00	1.00	0.68	0.5	1.00	1.00	0.73	0.6
	ΔT	22	20	17	13	22	20	16	13	22	20	17	13	22	20	16	13	21	20	16	13	22	21	17	14
	kW	0.92	0.92	0.91	0.9	1.02	1.02	1.02	1.0	1.13	1.13	1.13	1.1	1.25	1.25	1.25	1.3	1.39	1.39	1.38	1.4	1.55	1.54	1.54	1.6
	Amps	3.0	3.0	3.0	3.0	3.4	3.4	3.4	3.4	3.9	3.9	3.9	3.9	4.4	4.4	4.4	4.4	5.0	5.0	5.0	5.0	5.7	5.7	5.7	5.7

IDB = Entering Indoor Dry Bulb Temperature
 High and low pressures are measured at the liquid and suction service valves.
 Shaded area is ACCA (TVA) conditions
 kW = Total system power
 Amps = outdoor unit amps (comp.+fan)

EXPANDED COOLING DATA — GLXT7CA2410**/CA*TA2422*3A*+EEP - LOW STAGE (CONT.)

IDB		OUTDOOR AMBIENT TEMPERATURE																							
		65°F				75°F				85°F				95°F				105°F				115°F			
		59	63	67	71	59	63	67	71	59	63	67	71	59	63	67	71	59	63	67	71	59	63	67	71
80	MBh	17.6	17.8	18.4	19.2	17.4	17.7	18.2	19.0	17.0	17.2	17.7	18.5	16.2	16.4	17.0	17.8	15.2	15.5	16.0	16.8	14.3	14.6	15.1	15.9
	S/T	1.00	0.76	0.62	0.5	1.00	0.76	0.63	0.5	1.00	0.79	0.65	0.5	1.00	1.00	0.67	0.5	1.00	1.00	0.70	0.6	1.00	1.00	0.75	0.6
	ΔT	28	26	22	19	28	26	22	19	28	26	23	19	28	26	22	19	27	26	22	19	28	27	23	20
	kW	0.91	0.91	0.91	0.9	1.01	1.01	1.01	1.0	1.12	1.12	1.12	1.1	1.24	1.24	1.24	1.2	1.38	1.38	1.37	1.4	1.54	1.54	1.53	1.5
	Amps	2.9	2.9	2.9	3.0	3.4	3.4	3.4	3.4	3.9	3.9	3.8	3.9	4.4	4.4	4.4	4.4	5.0	5.0	5.0	5.0	5.7	5.7	5.7	5.7
588	MBh	17.9	18.1	18.7	19.5	17.7	18.0	18.5	19.3	17.3	17.5	18.0	18.8	16.5	16.7	17.3	18.1	15.5	15.8	16.3	17.1	14.6	14.9	15.4	16.2
	S/T	1.00	0.85	0.71	0.6	1.00	0.85	0.72	0.6	1.00	1.00	0.74	0.6	1.00	1.00	0.76	0.6	1.00	1.00	0.78	0.6	1.00	1.00	1.00	0.7
	ΔT	26	24	21	18	26	24	21	17	26	25	21	18	26	24	21	17	26	24	21	17	27	25	22	18
	kW	0.92	0.91	0.91	0.92	1.02	1.01	1.01	1.02	1.13	1.13	1.13	1.13	1.25	1.25	1.25	1.25	1.38	1.38	1.38	1.39	1.54	1.54	1.54	1.55
	Amps	3.0	3.0	3.0	3.0	3.4	3.4	3.4	3.4	3.9	3.9	3.9	3.9	4.4	4.4	4.4	4.4	5.0	5.0	5.0	5.0	5.7	5.7	5.7	5.7
630	MBh	18.0	18.3	18.8	19.6	17.9	18.1	18.7	19.5	17.4	17.7	18.2	19.0	16.6	16.9	17.4	18.2	15.7	15.9	16.4	17.2	14.8	15.0	15.6	16.4
	S/T	1.00	0.87	0.73	0.6	1.00	0.87	0.74	0.6	1.00	1.00	0.76	0.6	1.00	1.00	0.78	0.6	1.00	1.00	0.80	0.7	1.00	1.00	1.00	0.7
	ΔT	26	24	20	17	26	24	20	17	26	24	21	17	26	24	20	17	25	24	20	17	26	25	21	18
	kW	0.92	0.92	0.92	0.9	1.02	1.02	1.02	1.0	1.13	1.13	1.13	1.1	1.25	1.25	1.25	1.3	1.39	1.39	1.38	1.4	1.55	1.55	1.54	1.6
	Amps	3.0	3.0	3.0	3.0	3.4	3.4	3.4	3.4	3.9	3.9	3.9	3.9	4.4	4.4	4.4	4.5	5.0	5.0	5.0	5.0	5.7	5.7	5.7	5.7

85	MBh	17.9	18.1	18.7	19.5	17.7	18.0	18.5	19.3	17.3	17.5	18.0	18.8	16.5	16.7	17.3	18.1	15.5	15.8	16.3	17.1	14.6	14.9	15.4	16.2
	S/T	1.00	0.86	0.72	0.6	1.00	1.00	0.73	0.6	1.00	1.00	0.76	0.6	1.00	1.00	0.77	0.6	1.00	1.00	1.00	0.7	1.00	1.00	1.00	0.7
	ΔT	31	29	26	23	31	29	26	23	31	30	26	23	31	29	26	22	31	29	26	22	32	30	27	23
	kW	0.91	0.91	0.91	0.9	1.01	1.01	1.01	1.0	1.12	1.12	1.12	1.1	1.24	1.24	1.24	1.2	1.38	1.38	1.38	1.4	1.54	1.54	1.54	1.5
	Amps	2.9	2.9	2.9	3.0	3.4	3.4	3.4	3.4	3.9	3.9	3.9	3.9	4.4	4.4	4.4	4.4	5.0	5.0	5.0	5.0	5.7	5.7	5.7	5.7
588	MBh	18.2	18.4	19.0	19.8	18.0	18.3	18.8	19.6	17.6	17.8	18.3	19.1	16.8	17.0	17.6	18.4	15.8	16.1	16.6	17.4	14.9	15.2	15.7	16.5
	S/T	1.00	0.95	0.81	0.7	1.00	1.00	0.82	0.7	1.00	1.00	0.84	0.7	1.00	1.00	1.00	0.7	1.00	1.00	1.00	0.7	1.00	1.00	1.00	0.8
	ΔT	30	28	25	21	30	28	24	21	30	28	25	21	30	28	24	21	29	28	24	21	30	29	25	22
	kW	0.92	0.92	0.91	0.92	1.02	1.02	1.01	1.02	1.13	1.13	1.13	1.13	1.25	1.25	1.25	1.26	1.39	1.39	1.38	1.39	1.55	1.54	1.54	1.55
	Amps	3.0	3.0	3.0	3.0	3.4	3.4	3.4	3.4	3.9	3.9	3.9	3.9	4.4	4.4	4.4	4.4	5.0	5.0	5.0	5.0	5.7	5.7	5.7	5.7
630	MBh	18.3	18.6	19.1	19.9	18.2	18.4	19.0	19.8	17.7	18.0	18.5	19.3	16.9	17.2	17.7	18.5	16.0	16.2	16.7	17.5	15.1	15.3	15.9	16.7
	S/T	1.00	1.00	0.83	0.7	1.00	1.00	0.84	0.7	1.00	1.00	0.86	0.7	1.00	1.00	1.00	0.7	1.00	1.00	1.00	0.8	1.00	1.00	1.00	0.8
	ΔT	29	27	24	21	29	27	24	20	29	28	24	21	29	27	24	20	29	27	24	20	30	28	25	21
	kW	0.92	0.92	0.92	0.9	1.02	1.02	1.02	1.0	1.13	1.13	1.13	1.1	1.25	1.25	1.25	1.3	1.39	1.39	1.39	1.4	1.55	1.55	1.55	1.6
	Amps	3.0	3.0	3.0	3.0	3.4	3.4	3.4	3.4	3.9	3.9	3.9	3.9	4.4	4.4	4.4	4.5	5.0	5.0	5.0	5.0	5.7	5.7	5.7	5.7

IDB = Entering Indoor Dry Bulb Temperature
 High and low pressures are measured at the liquid and suction service valves.
 Shaded area is ACCA (TVA) conditions
 kW = Total system power
 Amps = outdoor unit amps (comp.+fan)

EXPANDED COOLING DATA — GLXT7CA3610**/CA*TA3626*3A*+EEP - HIGH STAGE

IDB		OUTDOOR AMBIENT TEMPERATURE																																			
		65°F						75°F						85°F						95°F						105°F						115°F					
		59	63	67	71	59	63	67	71	59	63	67	71	59	63	67	71	59	63	67	71	59	63	67	71	59	63	67	71								
1120		MBh	36.1	36.6	37.6	-	35.8	36.3	37.3	-	34.8	35.3	36.4	-	33.2	33.7	34.8	-	31.3	31.8	32.8	-	29.5	30.0	31.1	-											
		S/T	0.64	0.57	0.44	-	0.65	0.57	0.44	-	0.67	0.60	0.47	-	1.00	0.62	0.49	-	1.00	0.64	0.51	-	1.00	0.69	0.56	-											
		ΔT	20	18	14	-	20	18	14	-	20	18	15	-	20	18	14	-	20	18	14	-	21	19	15	-											
		kW	2.09	2.09	2.08	-	2.33	2.33	2.33	-	2.60	2.60	2.60	-	2.90	2.90	2.89	-	3.23	3.22	3.22	-	3.61	3.61	3.60	-											
		Amps	6.9	6.9	6.9	-	8.0	8.0	8.0	-	9.2	9.2	9.1	-	10.4	10.4	10.4	-	11.9	11.9	11.8	-	13.5	13.5	13.5	-											
70		MBh	36.4	36.9	38.0	-	36.1	36.6	37.6	-	35.1	35.6	36.7	-	33.5	34.0	35.1	-	31.6	32.1	33.1	-	29.8	30.3	31.4	-											
		S/T	0.66	0.59	0.46	-	0.67	0.59	0.46	-	0.69	0.62	0.49	-	1.00	0.64	0.51	-	1.00	0.66	0.53	-	1.00	0.71	0.58	-											
		ΔT	19	17	14	-	19	17	14	-	19	18	14	-	19	17	14	-	19	17	13	-	20	18	15	-											
		kW	2.10	2.09	2.09	-	2.34	2.34	2.33	-	2.61	2.61	2.60	-	2.90	2.90	2.90	-	3.23	3.23	3.23	-	3.62	3.61	3.61	-											
		Amps	7.0	7.0	6.9	-	8.0	8.0	8.0	-	9.2	9.2	9.2	-	10.5	10.5	10.4	-	11.9	11.9	11.9	-	13.6	13.6	13.5	-											
1350		MBh	37.1	37.6	38.6	-	36.7	37.2	38.3	-	35.8	36.3	37.4	-	34.2	34.7	35.8	-	32.3	32.8	33.8	-	30.5	31.0	32.0	-											
		S/T	0.68	0.61	0.48	-	0.69	0.62	0.48	-	0.71	0.64	0.51	-	1.00	0.66	0.53	-	1.00	0.68	0.55	-	1.00	0.73	0.60	-											
		ΔT	18	16	13	-	18	16	13	-	19	17	13	-	18	16	13	-	18	16	12	-	19	17	14	-											
		kW	2.11	2.10	2.10	-	2.35	2.35	2.34	-	2.62	2.62	2.61	-	2.91	2.91	2.91	-	3.24	3.24	3.24	-	3.63	3.62	3.62	-											
		Amps	7.0	7.0	7.0	-	8.1	8.1	8.0	-	9.2	9.2	9.2	-	10.5	10.5	10.5	-	11.9	11.9	11.9	-	13.6	13.6	13.6	-											

IDB		OUTDOOR AMBIENT TEMPERATURE																																			
		65°F						75°F						85°F						95°F						105°F						115°F					
		59	63	67	71	59	63	67	71	59	63	67	71	59	63	67	71	59	63	67	71	59	63	67	71	59	63	67	71								
1120		MBh	36.1	36.6	37.7	39.3	35.8	36.3	37.3	39.0	34.8	35.4	36.4	38.0	33.2	33.8	34.8	36.4	31.3	31.8	32.9	34.5	29.5	30.0	31.1	32.7											
		S/T	0.76	0.69	0.56	0.4	0.77	0.70	0.57	0.4	1.00	0.72	0.59	0.5	1.00	0.74	0.61	0.5	1.00	0.76	0.63	0.5	1.00	1.00	0.68	0.5											
		ΔT	24	22	19	15	24	22	19	15	24	22	19	15	24	22	18	15	24	22	18	14	25	23	19	16											
		kW	2.09	2.09	2.08	2.1	2.33	2.33	2.32	2.3	2.60	2.60	2.60	2.6	2.90	2.89	2.89	2.9	3.22	3.22	3.22	3.2	3.61	3.61	3.60	3.6											
		Amps	6.9	6.9	6.9	7.0	8.0	8.0	8.0	8.0	9.2	9.2	9.1	9.2	10.4	10.4	10.4	10.5	11.9	11.9	11.8	11.9	13.5	13.5	13.5	13.6											
75		MBh	36.4	36.9	38.0	39.6	36.1	36.6	37.7	39.3	35.2	35.7	36.7	38.3	33.6	34.1	35.1	36.7	31.6	32.1	33.2	34.8	29.8	30.3	31.4	33.0											
		S/T	0.79	0.71	0.58	0.4	0.79	0.72	0.59	0.5	1.00	0.74	0.61	0.5	1.00	0.76	0.63	0.5	1.00	0.78	0.65	0.5	1.00	1.00	0.70	0.6											
		ΔT	24	22	18	14	24	22	18	14	24	22	18	14	23	22	18	14	23	21	18	14	24	22	19	15											
		kW	2.09	2.09	2.09	2.11	2.34	2.34	2.33	2.35	2.61	2.61	2.60	2.62	2.90	2.90	2.90	2.91	3.23	3.23	3.22	3.24	3.61	3.61	3.61	3.63											
		Amps	7.0	6.9	6.9	7.0	8.0	8.0	8.0	8.1	9.2	9.2	9.2	9.2	10.5	10.5	10.4	10.5	11.9	11.9	11.9	11.9	13.6	13.6	13.5	13.6											
1350		MBh	37.1	37.6	38.6	40.3	36.8	37.3	38.3	40.0	35.8	36.3	37.4	39.0	34.2	34.7	35.8	37.4	32.3	32.8	33.8	35.5	30.5	31.0	32.1	33.7											
		S/T	0.81	0.73	0.60	0.5	1.00	0.74	0.61	0.5	1.00	0.76	0.63	0.5	1.00	0.78	0.65	0.5	1.00	0.80	0.67	0.5	1.00	1.00	0.72	0.6											
		ΔT	23	21	17	13	23	21	17	13	23	21	17	13	23	21	17	13	22	20	17	13	23	22	18	14											
		kW	2.10	2.10	2.10	2.1	2.35	2.35	2.34	2.4	2.62	2.62	2.61	2.6	2.91	2.91	2.91	2.9	3.24	3.24	3.23	3.3	3.63	3.62	3.62	3.6											
		Amps	7.0	7.0	7.0	7.1	8.1	8.0	8.0	8.1	9.2	9.2	9.2	9.3	10.5	10.5	10.5	10.6	11.9	11.9	11.9	12.0	13.6	13.6	13.6	13.7											

IDB = Entering Indoor Dry Bulb Temperature
 High and low pressures are measured at the liquid and suction service valves.
 Shaded area is ACCA (TVA) conditions
 kW = Total system power
 Amps = outdoor unit amps (comp.+fan)

EXPANDED COOLING DATA — GLXT7CA3610**/CA*TA3626*3A*+EEP - HIGH STAGE (CONT.)

IDB		OUTDOOR AMBIENT TEMPERATURE																											
		65°F				75°F				85°F				95°F				105°F				115°F							
		59	63	67	71	59	63	67	71	59	63	67	71	59	63	67	71	59	63	67	71	59	63	67	71				
1120	AIRFLOW	59	63	67	71	59	63	67	71	59	63	67	71	59	63	67	71	59	63	67	71	59	63	67	71	59	63	67	71
	MBh	36.3	36.8	37.8	39.5	36.0	36.5	37.5	39.2	35.0	35.5	36.6	38.2	33.4	33.9	35.0	36.6	31.5	32.0	33.0	34.7	29.7	30.2	31.3	32.9				
	S/T	1.00	0.81	0.68	0.5	1.00	0.82	0.69	0.6	1.00	0.84	0.71	0.6	1.00	1.00	0.73	0.6	1.00	1.00	0.75	0.6	1.00	1.00	0.80	0.7				
	ΔT	28	26	23	19	28	26	23	19	29	27	23	19	28	26	23	19	28	26	23	19	29	27	24	20				
	kW	2.09	2.09	2.08	2.1	2.33	2.33	2.33	2.3	2.60	2.60	2.60	2.6	2.90	2.89	2.89	2.9	3.22	3.22	3.22	3.2	3.61	3.61	3.60	3.6				
Amps	6.9	6.9	6.9	7.0	8.0	8.0	8.0	8.0	9.2	9.2	9.1	9.2	10.4	10.4	10.4	10.5	11.9	11.9	11.8	11.9	13.5	13.5	13.5	13.6					
80	MBh	36.6	37.1	38.2	39.8	36.3	36.8	37.8	39.5	35.3	35.8	36.9	38.5	33.7	34.2	35.3	36.9	31.8	32.3	33.4	35.0	30.0	30.5	31.6	33.2				
	S/T	1.00	0.83	0.70	0.6	1.00	0.84	0.71	0.6	1.00	0.86	0.73	0.6	1.00	1.00	0.75	0.6	1.00	1.00	0.77	0.6	1.00	1.00	0.82	0.7				
	ΔT	28	26	22	19	28	26	22	18	28	26	23	19	28	26	22	18	28	26	22	18	29	27	23	19				
	kW	2.10	2.09	2.09	2.11	2.34	2.34	2.33	2.35	2.61	2.61	2.60	2.62	2.90	2.90	2.90	2.92	3.23	3.23	3.23	3.24	3.62	3.61	3.61	3.63				
	Amps	7.0	7.0	6.9	7.0	8.0	8.0	8.0	8.1	9.2	9.2	9.2	9.3	10.5	10.5	10.4	10.5	11.9	11.9	11.9	12.0	13.6	13.6	13.5	13.6				
1350	MBh	37.3	37.8	38.8	40.5	36.9	37.4	38.5	40.1	36.0	36.5	37.6	39.2	34.4	34.9	36.0	37.6	32.5	33.0	34.0	35.7	30.7	31.2	32.2	33.9				
	S/T	1.00	0.85	0.72	0.6	1.00	0.86	0.73	0.6	1.00	0.88	0.75	0.6	1.00	1.00	0.77	0.6	1.00	1.00	0.79	0.7	1.00	1.00	0.84	0.7				
	ΔT	27	25	21	18	27	25	21	17	27	25	22	18	27	25	21	17	27	25	21	17	28	26	22	18				
	kW	2.11	2.10	2.10	2.1	2.35	2.35	2.34	2.4	2.62	2.62	2.61	2.6	2.91	2.91	2.91	2.9	3.24	3.24	3.24	3.3	3.63	3.62	3.62	3.6				
	Amps	7.0	7.0	7.0	7.1	8.1	8.1	8.0	8.1	9.2	9.2	9.2	9.3	10.5	10.5	10.5	10.6	11.9	11.9	11.9	12.0	13.6	13.6	13.6	13.7				

1120	MBh	36.9	37.4	38.4	40.1	36.6	37.1	38.1	39.8	35.6	36.1	37.2	38.8	34.0	34.5	35.6	37.2	32.1	32.6	33.6	35.3	30.3	30.8	31.9	33.5
	S/T	1.00	0.91	0.78	0.6	1.00	1.00	0.78	0.6	1.00	1.00	0.81	0.7	1.00	1.00	0.83	0.7	1.00	1.00	0.85	0.7	1.00	1.00	1.00	0.8
	ΔT	32	30	27	23	32	30	27	23	32	31	27	23	32	30	27	23	32	30	26	23	33	31	28	24
	kW	2.09	2.09	2.09	2.1	2.34	2.33	2.33	2.3	2.61	2.61	2.60	2.6	2.90	2.90	2.90	2.9	3.23	3.23	3.22	3.2	3.61	3.61	3.61	3.6
	Amps	7.0	6.9	6.9	7.0	8.0	8.0	8.0	8.1	9.2	9.2	9.2	9.2	10.5	10.5	10.4	10.5	11.9	11.9	11.9	11.9	13.6	13.6	13.5	13.6
1200	MBh	37.2	37.7	38.8	40.4	36.9	37.4	38.4	40.1	35.9	36.4	37.5	39.1	34.3	34.8	35.9	37.5	32.4	32.9	34.0	35.6	30.6	31.1	32.2	33.8
	S/T	1.00	0.93	0.80	0.7	1.00	1.00	0.81	0.7	1.00	1.00	0.83	0.7	1.00	1.00	0.85	0.7	1.00	1.00	0.87	0.7	1.00	1.00	1.00	0.8
	ΔT	32	30	26	22	32	30	26	22	32	30	26	23	32	30	26	22	31	29	26	22	33	31	27	23
	kW	2.10	2.10	2.09	2.11	2.34	2.34	2.34	2.36	2.61	2.61	2.61	2.63	2.91	2.91	2.90	2.92	3.24	3.23	3.23	3.25	3.62	3.62	3.61	3.63
	Amps	7.0	7.0	7.0	7.0	8.0	8.0	8.0	8.1	9.2	9.2	9.2	9.3	10.5	10.5	10.5	10.5	11.9	11.9	11.9	12.0	13.6	13.6	13.6	13.6
1350	MBh	37.9	38.4	39.4	41.1	37.5	38.0	39.1	40.7	36.6	37.1	38.2	39.8	35.0	35.5	36.6	38.2	33.1	33.6	34.6	36.3	31.3	31.8	32.8	34.5
	S/T	1.00	0.95	0.82	0.7	1.00	1.00	0.83	0.7	1.00	1.00	0.85	0.7	1.00	1.00	0.87	0.7	1.00	1.00	1.00	0.8	1.00	1.00	1.00	0.8
	ΔT	31	29	25	21	31	29	25	21	31	29	25	22	31	29	25	21	30	28	25	21	32	30	26	22
	kW	2.11	2.11	2.10	2.1	2.35	2.35	2.35	2.4	2.62	2.62	2.62	2.6	2.92	2.92	2.91	2.9	3.25	3.24	3.24	3.3	3.63	3.63	3.62	3.6
	Amps	7.0	7.0	7.0	7.1	8.1	8.1	8.1	8.1	9.3	9.3	9.2	9.3	10.5	10.5	10.5	10.6	12.0	12.0	11.9	12.0	13.6	13.6	13.6	13.7

IDB = Entering Indoor Dry Bulb Temperature
 High and low pressures are measured at the liquid and suction service valves.
 Shaded area is ACCA (TVA) conditions
 kW = Total system power
 Amps = outdoor unit amps (comp.+fan)

EXPANDED COOLING DATA — GLXT7CA3610**/CA*TA3626*3A*+EEP - LOW STAGE

IDB		OUTDOOR AMBIENT TEMPERATURE																																			
		65°F						75°F						85°F						95°F						105°F						115°F					
		AIRFLOW		59	63	67	71	59	63	67	71	59	63	67	71	59	63	67	71	59	63	67	71	59	63	67	71	59	63	67	71						
		ENTERING INDOOR WET BULB TEMPERATURE																																			
	MBh	25.8	26.1	26.9	-	25.5	25.9	26.6	-	24.9	25.2	26.0	-	23.7	24.1	24.8	-	22.3	22.7	23.4	-	22.3	22.7	23.4	-	21.0	21.4	22.1	-								
	S/T	0.63	0.55	0.42	-	0.64	0.56	0.43	-	0.66	0.59	0.45	-	1.00	0.60	0.47	-	1.00	0.63	0.49	-	1.00	0.63	0.49	-	1.00	0.63	0.49	-								
	ΔT	20	18	14	-	20	18	14	-	20	18	15	-	20	18	14	-	19	18	14	-	19	18	14	-	21	19	15	-								
	kW	1.31	1.31	1.31	-	1.46	1.46	1.46	-	1.63	1.63	1.63	-	1.82	1.82	1.81	-	2.02	2.02	2.02	-	2.02	2.02	2.02	-	2.27	2.27	2.26	-								
	Amps	4.3	4.3	4.3	-	5.0	5.0	5.0	-	5.8	5.7	5.7	-	6.6	6.5	6.5	-	7.5	7.4	7.4	-	7.5	7.4	7.4	-	8.5	8.5	8.5	-								
70	MBh	25.9	26.3	27.1	-	25.7	26.1	26.8	-	25.0	25.4	26.2	-	23.9	24.3	25.0	-	22.5	22.8	23.6	-	22.5	22.8	23.6	-	21.2	21.6	22.3	-								
	S/T	0.66	0.58	0.45	-	0.66	0.59	0.45	-	0.69	0.61	0.48	-	1.00	0.63	0.50	-	1.00	0.65	0.52	-	1.00	0.65	0.52	-	1.00	0.71	0.57	-								
	ΔT	19	17	14	-	19	17	14	-	19	17	14	-	19	17	14	-	19	17	13	-	19	17	13	-	20	18	15	-								
	kW	1.31	1.31	1.31	-	1.47	1.47	1.46	-	1.64	1.64	1.63	-	1.82	1.82	1.82	-	2.03	2.03	2.02	-	2.03	2.03	2.02	-	2.27	2.27	2.27	-								
	Amps	4.4	4.4	4.3	-	5.0	5.0	5.0	-	5.8	5.8	5.8	-	6.6	6.6	6.6	-	7.5	7.5	7.5	-	7.5	7.5	7.5	-	8.5	8.5	8.5	-								
	MBh	26.3	26.7	27.5	-	26.1	26.5	27.2	-	25.4	25.8	26.6	-	24.3	24.7	25.4	-	22.9	23.3	24.0	-	22.9	23.3	24.0	-	21.6	22.0	22.7	-								
	S/T	0.69	0.62	0.48	-	0.70	0.62	0.49	-	1.00	0.65	0.51	-	1.00	0.67	0.53	-	1.00	0.69	0.55	-	1.00	0.69	0.55	-	1.00	1.00	0.60	-								
	ΔT	18	16	13	-	18	16	13	-	18	17	13	-	18	16	13	-	18	16	13	-	18	16	13	-	19	17	14	-								
	kW	1.32	1.32	1.32	-	1.47	1.47	1.47	-	1.64	1.64	1.64	-	1.83	1.83	1.83	-	2.04	2.03	2.03	-	2.04	2.03	2.03	-	2.28	2.28	2.27	-								
	Amps	4.4	4.4	4.4	-	5.1	5.1	5.0	-	5.8	5.8	5.8	-	6.6	6.6	6.6	-	7.5	7.5	7.5	-	7.5	7.5	7.5	-	8.6	8.5	8.5	-								

IDB		OUTDOOR AMBIENT TEMPERATURE																																			
		65°F						75°F						85°F						95°F						105°F						115°F					
		AIRFLOW		59	63	67	71	59	63	67	71	59	63	67	71	59	63	67	71	59	63	67	71	59	63	67	71	59	63	67	71						
		ENTERING INDOOR WET BULB TEMPERATURE																																			
	MBh	25.8	26.1	26.9	28.1	25.5	25.9	26.7	27.8	24.9	25.2	26.0	27.2	23.7	24.1	24.8	26.0	22.3	22.7	23.4	24.6	22.3	22.7	23.4	24.6	21.0	21.4	22.2	23.3								
	S/T	0.76	0.68	0.55	0.4	1.00	0.69	0.55	0.4	1.00	0.71	0.58	0.4	1.00	0.73	0.60	0.5	1.00	0.75	0.62	0.5	1.00	0.75	0.62	0.5	1.00	1.00	0.67	0.5								
	ΔT	24	22	18	15	24	22	18	15	24	22	19	15	24	22	18	15	24	22	18	15	24	22	18	15	25	23	19	16								
	kW	1.31	1.31	1.31	1.3	1.46	1.46	1.46	1.5	1.63	1.63	1.63	1.6	1.82	1.82	1.81	1.8	2.02	2.02	2.02	2.0	2.02	2.02	2.02	2.0	2.27	2.26	2.26	2.3								
	Amps	4.3	4.3	4.3	4.4	5.0	5.0	5.0	5.0	5.7	5.7	5.7	5.8	6.6	6.5	6.5	6.6	7.4	7.4	7.4	7.5	7.4	7.4	7.4	7.5	8.5	8.5	8.5	8.5								
75	MBh	26.0	26.3	27.1	28.2	25.7	26.1	26.9	28.0	25.1	25.4	26.2	27.4	23.9	24.3	25.0	26.2	22.5	22.9	23.6	24.8	22.5	22.9	23.6	24.8	21.2	21.6	22.3	23.5								
	S/T	0.79	0.71	0.58	0.4	1.00	0.72	0.58	0.4	1.00	0.74	0.61	0.5	1.00	0.76	0.63	0.5	1.00	1.00	0.65	0.5	1.00	1.00	0.65	0.5	1.00	1.00	0.70	0.6								
	ΔT	23	21	18	14	23	21	18	14	24	22	18	14	23	21	18	14	23	21	18	14	23	21	18	14	24	22	19	15								
	kW	1.31	1.31	1.31	1.32	1.47	1.46	1.46	1.47	1.64	1.64	1.63	1.64	1.82	1.82	1.82	1.83	2.03	2.03	2.02	2.04	2.03	2.03	2.02	2.04	2.27	2.27	2.27	2.28								
	Amps	4.4	4.4	4.3	4.4	5.0	5.0	5.0	5.1	5.8	5.8	5.7	5.8	6.6	6.6	6.6	6.6	7.5	7.5	7.4	7.5	7.5	7.5	7.4	7.5	8.5	8.5	8.5	8.6								
	MBh	26.4	26.7	27.5	28.7	26.1	26.5	27.3	28.4	25.5	25.8	26.6	27.8	24.3	24.7	25.4	26.6	22.9	23.3	24.0	25.2	22.9	23.3	24.0	25.2	21.6	22.0	22.7	23.9								
	S/T	0.82	0.74	0.61	0.5	1.00	0.75	0.62	0.5	1.00	0.77	0.64	0.5	1.00	0.79	0.66	0.5	1.00	1.00	0.68	0.5	1.00	1.00	0.68	0.5	1.00	1.00	0.73	0.6								
	ΔT	22	20	17	13	22	20	17	13	23	21	17	14	22	20	17	13	22	20	17	13	22	20	17	13	23	21	18	14								
	kW	1.32	1.32	1.32	1.3	1.47	1.47	1.47	1.5	1.64	1.64	1.64	1.7	1.83	1.83	1.82	1.8	2.03	2.03	2.03	2.0	2.03	2.03	2.03	2.0	2.28	2.28	2.27	2.3								
	Amps	4.4	4.4	4.4	4.4	5.1	5.0	5.0	5.1	5.8	5.8	5.8	5.8	6.6	6.6	6.6	6.6	7.5	7.5	7.5	7.5	7.5	7.5	7.5	7.5	8.5	8.5	8.5	8.6								

IDB = Entering Indoor Dry Bulb Temperature
 High and low pressures are measured at the liquid and suction service valves.
 Shaded area is ACCA (TVA) conditions
 kW = Total system power
 Amps = outdoor unit amps (comp.+fan)

EXPANDED COOLING DATA — GLXT7CA3610**/CA*TA3626*3A*+EEP - LOW STAGE (CONT.)

IDB		OUTDOOR AMBIENT TEMPERATURE																							
		65°F				75°F				85°F				95°F				105°F				115°F			
		59	63	67	71	59	63	67	71	59	63	67	71	59	63	67	71	59	63	67	71	59	63	67	71
80	MBh	25.9	26.3	27.0	28.2	25.7	26.0	26.8	28.0	25.0	25.4	26.1	27.3	23.9	24.2	25.0	26.1	22.4	22.8	23.6	24.7	21.2	21.5	22.3	23.5
	S/T	1.00	0.81	0.67	0.5	1.00	0.81	0.68	0.5	1.00	0.84	0.70	0.6	1.00	1.00	0.72	0.6	1.00	1.00	0.74	0.6	1.00	1.00	0.79	0.7
	ΔT	28	26	23	19	28	26	23	19	28	26	23	19	28	26	23	19	28	26	22	19	29	27	23	20
	kW	1.31	1.31	1.31	1.3	1.46	1.46	1.46	1.5	1.63	1.63	1.63	1.6	1.82	1.82	1.81	1.8	2.02	2.02	2.02	2.0	2.27	2.27	2.26	2.3
	Amps	4.3	4.3	4.3	4.4	5.0	5.0	5.0	5.0	5.8	5.7	5.7	5.8	6.6	6.5	6.5	6.6	7.5	7.4	7.4	7.5	8.5	8.5	8.5	8.5
840	MBh	26.1	26.4	27.2	28.4	25.9	26.2	27.0	28.2	25.2	25.6	26.3	27.5	24.0	24.4	25.2	26.3	22.6	23.0	23.8	24.9	21.3	21.7	22.5	23.6
	S/T	1.00	0.83	0.70	0.6	1.00	0.84	0.71	0.6	1.00	0.86	0.73	0.6	1.00	1.00	0.75	0.6	1.00	1.00	0.77	0.6	1.00	1.00	0.82	0.7
	ΔT	27	26	22	18	27	26	22	18	28	26	22	19	27	25	22	18	27	25	22	18	28	26	23	19
	kW	1.31	1.31	1.31	1.32	1.47	1.47	1.46	1.47	1.64	1.64	1.63	1.65	1.82	1.82	1.82	1.83	2.03	2.03	2.02	2.04	2.27	2.27	2.27	2.28
	Amps	4.4	4.4	4.3	4.4	5.0	5.0	5.0	5.1	5.8	5.8	5.8	5.8	6.6	6.6	6.6	6.6	7.5	7.5	7.5	7.5	8.5	8.5	8.5	8.6
945	MBh	26.5	26.9	27.6	28.8	26.3	26.6	27.4	28.6	25.6	26.0	26.7	27.9	24.4	24.8	25.6	26.7	23.0	23.4	24.2	25.3	21.8	22.1	22.9	24.0
	S/T	1.00	0.87	0.73	0.6	1.00	0.87	0.74	0.6	1.00	1.00	0.76	0.6	1.00	1.00	0.78	0.6	1.00	1.00	0.81	0.7	1.00	1.00	1.00	0.7
	ΔT	26	25	21	17	26	25	21	17	27	25	21	18	26	25	21	17	26	24	21	17	27	25	22	18
	kW	1.32	1.32	1.32	1.3	1.47	1.47	1.47	1.5	1.64	1.64	1.64	1.7	1.83	1.83	1.82	1.8	2.04	2.03	2.03	2.0	2.28	2.28	2.27	2.3
	Amps	4.4	4.4	4.4	4.4	5.1	5.1	5.0	5.1	5.8	5.8	5.8	5.8	6.6	6.6	6.6	6.6	7.5	7.5	7.5	7.5	8.5	8.5	8.5	8.6

85	MBh	26.3	26.7	27.5	28.6	26.1	26.5	27.2	28.4	25.4	25.8	26.6	27.7	24.3	24.6	25.4	26.6	22.9	23.2	24.0	25.2	21.6	22.0	22.7	23.9
	S/T	1.00	0.91	0.77	0.6	1.00	1.00	0.78	0.6	1.00	1.00	0.80	0.7	1.00	1.00	0.82	0.7	1.00	1.00	1.00	0.7	1.00	1.00	1.00	0.8
	ΔT	32	30	26	23	32	30	26	23	32	30	27	23	32	30	26	23	31	30	26	22	33	31	27	24
	kW	1.31	1.31	1.31	1.3	1.47	1.46	1.46	1.5	1.64	1.64	1.63	1.6	1.82	1.82	1.82	1.8	2.03	2.03	2.02	2.0	2.27	2.27	2.27	2.3
	Amps	4.4	4.4	4.3	4.4	5.0	5.0	5.0	5.1	5.8	5.8	5.7	5.8	6.6	6.6	6.5	6.6	7.5	7.5	7.4	7.5	8.5	8.5	8.5	8.6
840	MBh	26.5	26.9	27.6	28.8	26.3	26.7	27.4	28.6	25.6	26.0	26.7	27.9	24.5	24.8	25.6	26.8	23.1	23.4	24.2	25.4	21.8	22.1	22.9	24.1
	S/T	1.00	0.93	0.80	0.7	1.00	1.00	0.81	0.7	1.00	1.00	0.83	0.7	1.00	1.00	0.85	0.7	1.00	1.00	1.00	0.7	1.00	1.00	1.00	0.8
	ΔT	31	29	26	22	31	29	26	22	31	29	26	22	31	29	26	22	31	29	25	22	32	30	27	23
	kW	1.32	1.32	1.31	1.32	1.47	1.47	1.47	1.48	1.64	1.64	1.64	1.65	1.83	1.82	1.82	1.83	2.03	2.03	2.03	2.04	2.27	2.27	2.27	2.28
	Amps	4.4	4.4	4.4	4.4	5.0	5.0	5.0	5.1	5.8	5.8	5.8	5.8	6.6	6.6	6.6	6.6	7.5	7.5	7.5	7.5	8.5	8.5	8.5	8.6
945	MBh	26.9	27.3	28.0	29.2	26.7	27.1	27.8	29.0	26.0	26.4	27.2	28.3	24.9	25.2	26.0	27.2	23.5	23.8	24.6	25.8	22.2	22.5	23.3	24.5
	S/T	1.00	0.97	0.83	0.7	1.00	1.00	0.84	0.7	1.00	1.00	0.86	0.7	1.00	1.00	0.88	0.7	1.00	1.00	1.00	0.8	1.00	1.00	1.00	0.8
	ΔT	30	28	25	21	30	28	25	21	30	29	25	21	30	28	25	21	30	28	24	21	31	29	26	22
	kW	1.32	1.32	1.32	1.3	1.48	1.48	1.47	1.5	1.65	1.65	1.64	1.7	1.83	1.83	1.83	1.8	2.04	2.04	2.03	2.0	2.28	2.28	2.28	2.3
	Amps	4.4	4.4	4.4	4.4	5.1	5.1	5.1	5.1	5.8	5.8	5.8	5.8	6.6	6.6	6.6	6.6	7.5	7.5	7.5	7.5	8.6	8.6	8.6	8.6

IDB = Entering Indoor Dry Bulb Temperature
 High and low pressures are measured at the liquid and suction service valves.
 Shaded area is ACCA (TVA) conditions
 kW = Total system power
 Amps = outdoor unit amps (comp.+fan)

EXPANDED COOLING DATA — GLXT7CA4810**/CA*TA6030*3A*+EEP - HIGH STAGE

IDB		OUTDOOR AMBIENT TEMPERATURE																																			
		65°F						75°F						85°F						95°F						105°F						115°F					
		59	63	67	71	59	63	67	71	59	63	67	71	59	63	67	71	59	63	67	71	59	63	67	71	59	63	67	71								
1400	MBh	48.4	49.1	50.5	-	48.0	48.7	50.1	-	46.8	47.4	48.9	-	44.6	45.3	46.7	-	42.0	42.7	44.1	-	39.6	40.3	41.7	-												
	S/T	0.61	0.54	0.41	-	0.61	0.54	0.42	-	0.63	0.56	0.44	-	0.65	0.58	0.46	-	0.67	0.60	0.48	-	1.00	0.65	0.53	-												
	ΔT	1	1	0	-	1	1	0	-	1	1	0	-	1	1	0	-	1	1	0	-	1	1	0	-												
	kW	2.88	2.88	2.87	-	3.20	3.20	3.20	-	3.56	3.56	3.56	-	3.95	3.95	3.95	-	4.39	4.39	4.38	-	4.90	4.90	4.89	-												
	Amps	9.9	9.9	9.8	-	11.3	11.3	11.2	-	12.8	12.8	12.8	-	14.5	14.5	14.5	-	16.4	16.4	16.4	-	18.7	18.6	18.6	-												
70	MBh	49.3	50.0	51.4	-	48.9	49.6	51.0	-	47.6	48.3	49.7	-	45.5	46.2	47.6	-	42.9	43.5	45.0	-	40.5	41.1	42.6	-												
	S/T	0.64	0.57	0.45	-	0.64	0.58	0.45	-	0.67	0.60	0.47	-	0.68	0.62	0.49	-	1.00	0.64	0.51	-	1.00	0.68	0.56	-												
	ΔT	1	1	0	-	1	1	0	-	1	1	0	-	1	1	0	-	1	1	0	-	1	1	0	-												
	kW	2.90	2.89	2.89	-	3.22	3.22	3.21	-	3.58	3.58	3.57	-	3.97	3.97	3.96	-	4.41	4.40	4.40	-	4.92	4.91	4.91	-												
	Amps	9.9	9.9	9.9	-	11.3	11.3	11.3	-	12.9	12.9	12.9	-	14.6	14.6	14.6	-	16.5	16.5	16.5	-	18.7	18.7	18.7	-												
1800	MBh	50.4	51.1	52.5	-	50.0	50.6	52.1	-	48.7	49.4	50.8	-	46.6	47.2	48.7	-	43.9	44.6	46.0	-	41.5	42.2	43.7	-												
	S/T	0.65	0.58	0.45	-	0.65	0.58	0.46	-	0.67	0.60	0.48	-	0.69	0.62	0.50	-	1.00	0.64	0.52	-	1.00	0.69	0.57	-												
	ΔT	1	0	0	-	1	0	0	-	1	0	0	-	1	0	0	-	1	0	0	-	1	1	0	-												
	kW	2.91	2.91	2.90	-	3.23	3.23	3.23	-	3.59	3.59	3.59	-	3.98	3.98	3.98	-	4.42	4.42	4.41	-	4.93	4.93	4.92	-												
	Amps	10.0	10.0	10.0	-	11.4	11.4	11.4	-	13.0	13.0	12.9	-	14.7	14.7	14.6	-	16.6	16.6	16.5	-	18.8	18.8	18.8	-												

IDB		OUTDOOR AMBIENT TEMPERATURE																																			
		65°F						75°F						85°F						95°F						105°F						115°F					
		59	63	67	71	59	63	67	71	59	63	67	71	59	63	67	71	59	63	67	71	59	63	67	71	59	63	67	71								
1400	MBh	48.5	49.1	50.6	52.8	48.0	48.7	50.1	52.3	46.8	47.5	48.9	51.1	44.6	45.3	46.8	48.9	42.0	42.7	44.1	46.3	39.6	40.3	41.7	43.9												
	S/T	0.72	0.65	0.53	0.4	0.73	0.66	0.54	0.4	0.75	0.68	0.56	0.4	1.00	0.70	0.58	0.4	1.00	0.72	0.60	0.5	1.00	0.77	0.64	0.5												
	ΔT	1	1	1	0	1	1	1	0	1	1	1	0	1	1	1	0	1	1	1	0	1	1	1	0												
	kW	2.88	2.88	2.87	2.9	3.20	3.20	3.19	3.2	3.56	3.56	3.55	3.6	3.95	3.95	3.94	4.0	4.39	4.39	4.38	4.4	4.90	4.90	4.89	4.9												
	Amps	9.9	9.9	9.8	9.9	11.3	11.3	11.2	11.3	12.8	12.8	12.8	12.9	14.5	14.5	14.5	14.6	16.4	16.4	16.4	16.5	18.6	18.6	18.6	18.7												
75	MBh	49.3	50.0	51.5	53.6	48.9	49.6	51.0	53.2	47.7	48.3	49.8	52.0	45.5	46.2	47.6	49.8	42.9	43.6	45.0	47.2	40.5	41.2	42.6	44.8												
	S/T	0.76	0.69	0.56	0.4	0.76	0.69	0.57	0.4	0.78	0.72	0.59	0.5	1.00	0.73	0.61	0.5	1.00	0.75	0.63	0.5	1.00	0.80	0.68	0.5												
	ΔT	1	1	1	0	1	1	1	0	1	1	1	0	1	1	1	0	1	1	1	0	1	1	1	0												
	kW	2.89	2.89	2.89	2.91	3.22	3.21	3.21	3.23	3.58	3.58	3.57	3.59	3.97	3.97	3.96	3.98	4.40	4.40	4.40	4.42	4.92	4.91	4.91	4.93												
	Amps	9.9	9.9	9.9	10.0	11.3	11.3	11.3	11.4	12.9	12.9	12.9	13.0	14.6	14.6	14.6	14.7	16.5	16.5	16.5	16.6	18.7	18.7	18.7	18.8												
1800	MBh	50.4	51.1	52.5	54.7	50.0	50.7	52.1	54.3	48.7	49.4	50.9	53.0	46.6	47.3	48.7	50.9	44.0	44.6	46.1	48.3	41.6	42.3	43.7	45.9												
	S/T	0.76	0.69	0.57	0.4	0.77	0.70	0.58	0.4	1.00	0.72	0.60	0.5	1.00	0.74	0.62	0.5	1.00	0.76	0.64	0.5	1.00	0.81	0.68	0.6												
	ΔT	1	1	1	0	1	1	1	0	1	1	1	0	1	1	1	0	1	1	1	0	1	1	1	0												
	kW	2.91	2.91	2.90	2.9	3.23	3.23	3.22	3.2	3.59	3.59	3.58	3.6	3.98	3.98	3.97	4.0	4.42	4.42	4.41	4.4	4.93	4.93	4.92	4.9												
	Amps	10.0	10.0	10.0	10.1	11.4	11.4	11.4	11.5	13.0	13.0	12.9	13.0	14.7	14.6	14.6	14.7	16.6	16.5	16.5	16.6	18.8	18.8	18.8	18.9												

IDB = Entering Indoor Dry Bulb Temperature
 High and low pressures are measured at the liquid and suction service valves.
 Shaded area is ACCA (TVA) conditions
 kW = Total system power
 Amps = outdoor unit amps (comp.+fan)

EXPANDED COOLING DATA — GLXT7CA4810**/CA*TA6030*3A*+EEP - HIGH STAGE (CONT.)

IDB	AIREFLOW	OUTDOOR AMBIENT TEMPERATURE																							
		65°F				75°F				85°F				95°F				105°F				115°F			
		59	63	67	71	59	63	67	71	59	63	67	71	59	63	67	71	59	63	67	71	59	63	67	71
1400	MBh	48.7	49.4	50.8	53.0	48.3	49.0	50.4	52.6	47.0	47.7	49.1	51.3	44.9	45.6	47.0	49.2	42.3	42.9	44.4	46.6	39.9	40.5	42.0	44.2
	S/T	0.84	0.77	0.64	0.5	1.00	0.77	0.65	0.5	1.00	0.80	0.67	0.5	1.00	0.81	0.69	0.6	1.00	0.83	0.71	0.6	1.00	1.00	0.76	0.6
	ΔT	1	1	1	1	1	1	1	1	1	1	1	1	1	1	1	1	1	1	1	1	1	1	1	1
	kW	2.88	2.88	2.87	2.9	3.20	3.20	3.20	3.2	3.56	3.56	3.56	3.6	3.95	3.95	3.95	4.0	4.39	4.39	4.38	4.4	4.90	4.90	4.89	4.9
	Amps	9.9	9.9	9.8	9.9	11.3	11.3	11.2	11.3	12.8	12.8	12.8	12.9	14.5	14.5	14.5	14.6	16.4	16.4	16.4	16.5	18.7	18.6	18.6	18.7
80	MBh	49.6	50.3	51.7	53.9	49.2	49.8	51.3	53.5	47.9	48.6	50.0	52.2	45.8	46.4	47.9	50.1	43.1	43.8	45.2	47.4	40.7	41.4	42.9	45.0
	S/T	0.87	0.80	0.68	0.5	1.00	0.81	0.68	0.6	1.00	0.83	0.71	0.6	1.00	0.85	0.72	0.6	1.00	1.00	0.74	0.6	1.00	1.00	0.79	0.7
	ΔT	1	1	1	1	1	1	1	1	1	1	1	1	1	1	1	1	1	1	1	1	1	1	1	1
	kW	2.90	2.89	2.89	2.91	3.22	3.22	3.21	3.24	3.58	3.58	3.57	3.60	3.97	3.97	3.96	3.99	4.41	4.40	4.40	4.42	4.92	4.91	4.91	4.93
	Amps	9.9	9.9	9.9	10.0	11.3	11.3	11.3	11.4	12.9	12.9	12.9	13.0	14.6	14.6	14.6	14.7	16.5	16.5	16.5	16.6	18.7	18.7	18.7	18.8
1800	MBh	50.7	51.3	52.8	55.0	50.2	50.9	52.3	54.5	49.0	49.7	51.1	53.3	46.8	47.5	49.0	51.1	44.2	44.9	46.3	48.5	41.8	42.5	43.9	46.1
	S/T	1.00	0.81	0.68	0.6	1.00	0.81	0.69	0.6	1.00	0.84	0.71	0.6	1.00	0.85	0.73	0.6	1.00	1.00	0.75	0.6	1.00	1.00	0.80	0.7
	ΔT	1	1	1	1	1	1	1	1	1	1	1	1	1	1	1	1	1	1	1	1	1	1	1	1
	kW	2.91	2.91	2.90	2.9	3.23	3.23	3.22	3.2	3.59	3.59	3.59	3.6	3.98	3.98	3.98	4.0	4.42	4.42	4.41	4.4	4.93	4.93	4.92	4.9
	Amps	10.0	10.0	10.0	10.1	11.4	11.4	11.4	11.5	13.0	13.0	12.9	13.0	14.7	14.7	14.6	14.7	16.6	16.6	16.6	16.6	18.8	18.8	18.8	18.9

1400	MBh	49.5	50.2	51.6	53.8	49.1	49.8	51.2	53.4	47.8	48.5	50.0	52.1	45.7	46.4	47.8	50.0	43.1	43.8	45.2	47.4	40.7	41.4	42.8	45.0
	S/T	1.00	0.86	0.74	0.6	1.00	0.87	0.74	0.6	1.00	0.89	0.76	0.6	1.00	1.00	0.78	0.7	1.00	1.00	0.80	0.7	1.00	1.00	0.85	0.7
	ΔT	1	1	1	1	1	1	1	1	1	1	1	1	1	1	1	1	1	1	1	1	1	1	1	1
	kW	2.89	2.88	2.88	2.9	3.21	3.21	3.20	3.2	3.57	3.57	3.56	3.6	3.96	3.96	3.95	4.0	4.40	4.39	4.39	4.4	4.91	4.90	4.90	4.9
	Amps	9.9	9.9	9.9	10.0	11.3	11.3	11.3	11.4	12.9	12.9	12.8	12.9	14.6	14.6	14.5	14.6	16.5	16.4	16.4	16.5	18.7	18.7	18.6	18.8
1600	MBh	50.4	51.1	52.5	54.7	50.0	50.6	52.1	54.3	48.7	49.4	50.8	53.0	46.6	47.3	48.7	50.9	44.0	44.6	46.1	48.2	41.6	42.2	43.7	45.8
	S/T	1.00	0.89	0.77	0.6	1.00	0.90	0.78	0.6	1.00	1.00	0.80	0.7	1.00	1.00	0.82	0.7	1.00	1.00	0.84	0.7	1.00	1.00	0.88	0.8
	ΔT	1	1	1	1	1	1	1	1	1	1	1	1	1	1	1	1	1	1	1	1	1	1	1	1
	kW	2.90	2.90	2.89	2.92	3.23	3.22	3.22	3.24	3.59	3.58	3.58	3.60	3.98	3.97	3.97	3.99	4.41	4.41	4.40	4.43	4.92	4.92	4.92	4.94
	Amps	10.0	10.0	9.9	10.0	11.4	11.4	11.3	11.4	12.9	12.9	12.9	13.0	14.6	14.6	14.6	14.7	16.5	16.5	16.5	16.6	18.8	18.7	18.7	18.8
1800	MBh	51.5	52.2	53.6	55.8	51.0	51.7	53.2	55.3	49.8	50.5	51.9	54.1	47.7	48.3	49.8	51.9	45.0	45.7	47.1	49.3	42.6	43.3	44.7	46.9
	S/T	1.00	0.90	0.78	0.6	1.00	0.91	0.78	0.7	1.00	1.00	0.81	0.7	1.00	1.00	0.82	0.7	1.00	1.00	0.84	0.7	1.00	1.00	1.00	0.8
	ΔT	1	1	1	1	1	1	1	1	1	1	1	1	1	1	1	1	1	1	1	1	1	1	1	1
	kW	2.92	2.91	2.91	2.9	3.24	3.24	3.23	3.3	3.60	3.60	3.59	3.6	3.99	3.99	3.98	4.0	4.43	4.42	4.42	4.4	4.94	4.93	4.93	5.0
	Amps	10.0	10.0	10.0	10.1	11.4	11.4	11.4	11.5	13.0	13.0	13.0	13.1	14.7	14.7	14.7	14.8	16.6	16.6	16.6	16.7	18.8	18.8	18.8	18.9

IDB = Entering Indoor Dry Bulb Temperature
 High and low pressures are measured at the liquid and suction service valves.
 Shaded area is ACCA (TVA) conditions
 kW = Total system power
 Amps = outdoor unit amps (comp.+fan)

EXPANDED COOLING DATA — GLXT7CA4810**/CA*TA6030*3A*+EEP - LOW STAGE

IDB	AIRFLOW	OUTDOOR AMBIENT TEMPERATURE																													
		65°F					75°F					85°F					95°F					105°F					115°F				
		59	63	67	71	75	59	63	67	71	75	59	63	67	71	75	59	63	67	71	75	59	63	67	71	75	59	63	67	71	75
70	MBh	34.4	34.9	35.9	-	34.1	34.6	35.6	-	33.2	33.7	34.7	-	31.6	32.1	33.1	-	29.7	30.2	31.3	-	28.0	28.5	29.5	-						
	S/T	0.57	0.49	0.37	-	0.57	0.50	0.37	-	0.59	0.52	0.40	-	0.61	0.54	0.42	-	1.00	0.56	0.44	-	1.00	0.61	0.48	-						
	ΔT	1	1	0	-	1	1	0	-	1	1	0	-	1	1	0	-	1	1	0	-	1	1	0	-						
	kW	1.80	1.80	1.80	-	2.00	2.00	2.00	-	2.23	2.23	2.23	-	2.48	2.48	2.47	-	2.75	2.75	2.75	-	3.07	3.07	3.07	-						
	Amps	6.2	6.2	6.1	-	7.0	7.0	7.0	-	8.0	8.0	8.0	-	9.1	9.1	9.1	-	10.3	10.3	10.3	-	11.7	11.7	11.7	-						
1120	MBh	34.8	35.3	36.3	-	34.5	35.0	36.0	-	33.6	34.1	35.1	-	32.1	32.6	33.6	-	30.2	30.7	31.7	-	28.5	29.0	30.0	-						
	S/T	0.62	0.55	0.42	-	0.63	0.56	0.43	-	0.65	0.58	0.45	-	0.67	0.60	0.47	-	1.00	0.62	0.49	-	1.00	0.67	0.54	-						
	ΔT	1	1	0	-	1	1	0	-	1	1	0	-	1	1	0	-	1	1	0	-	1	1	0	-						
	kW	1.81	1.81	1.81	-	2.02	2.01	2.01	-	2.24	2.24	2.24	-	2.49	2.49	2.48	-	2.76	2.76	2.76	-	3.08	3.08	3.08	-						
	Amps	6.2	6.2	6.2	-	7.1	7.1	7.1	-	8.1	8.1	8.1	-	9.1	9.1	9.1	-	10.3	10.3	10.3	-	11.7	11.7	11.7	-						
1260	MBh	35.4	35.9	36.9	-	35.1	35.6	36.6	-	34.2	34.7	35.7	-	32.6	33.1	34.1	-	30.7	31.2	32.2	-	29.0	29.5	30.5	-						
	S/T	0.65	0.58	0.46	-	0.66	0.59	0.46	-	0.68	0.61	0.48	-	0.70	0.63	0.50	-	1.00	0.65	0.52	-	1.00	0.70	0.57	-						
	ΔT	1	1	0	-	1	1	0	-	1	1	0	-	1	1	0	-	1	0	0	-	1	1	0	-						
	kW	1.82	1.82	1.82	-	2.02	2.02	2.02	-	2.25	2.25	2.25	-	2.50	2.49	2.49	-	2.77	2.77	2.77	-	3.09	3.09	3.09	-						
	Amps	6.2	6.2	6.2	-	7.1	7.1	7.1	-	8.1	8.1	8.1	-	9.2	9.2	9.2	-	10.4	10.4	10.4	-	11.8	11.8	11.8	-						

IDB	AIRFLOW	OUTDOOR AMBIENT TEMPERATURE																													
		65°F					75°F					85°F					95°F					105°F					115°F				
		59	63	67	71	75	59	63	67	71	75	59	63	67	71	75	59	63	67	71	75	59	63	67	71	75	59	63	67	71	75
1400	MBh	34.4	34.9	35.9	37.5	34.1	34.6	35.6	37.2	33.2	33.7	34.7	36.3	31.7	32.1	33.2	34.7	29.8	30.2	31.3	32.8	28.0	28.5	29.6	31.1						
	S/T	0.69	0.61	0.49	0.4	0.69	0.62	0.49	0.4	0.72	0.64	0.52	0.4	1.00	0.66	0.54	0.4	1.00	0.68	0.56	0.4	1.00	0.73	0.60	0.5						
	ΔT	1	1	1	0	1	1	1	0	1	1	1	0	1	1	1	0	1	1	1	0	1	1	1	1						
	kW	1.80	1.80	1.80	1.8	2.00	2.00	2.00	2.0	2.23	2.23	2.22	2.2	2.48	2.47	2.47	2.5	2.75	2.75	2.74	2.8	3.07	3.07	3.07	3.1						
	Amps	6.2	6.2	6.1	6.2	7.0	7.0	7.0	7.1	8.0	8.0	8.0	8.1	9.1	9.1	9.1	9.1	10.3	10.3	10.3	10.3	11.7	11.7	11.7	11.7						
1600	MBh	34.9	35.3	36.4	37.9	34.5	35.0	36.1	37.6	33.6	34.1	35.2	36.7	32.1	32.6	33.6	35.2	30.2	30.7	31.7	33.3	28.5	29.0	30.0	31.6						
	S/T	0.74	0.67	0.54	0.4	0.75	0.68	0.55	0.4	1.00	0.70	0.57	0.4	1.00	0.72	0.59	0.5	1.00	0.74	0.61	0.5	1.00	0.79	0.66	0.5						
	ΔT	1	1	1	0	1	1	1	0	1	1	1	0	1	1	1	0	1	1	1	0	1	1	1	0						
	kW	1.81	1.81	1.81	1.82	2.01	2.01	2.01	2.02	2.24	2.24	2.24	2.25	2.49	2.48	2.48	2.50	2.76	2.76	2.76	2.77	3.08	3.08	3.08	3.09						
	Amps	6.2	6.2	6.2	6.2	7.1	7.1	7.1	7.1	8.1	8.1	8.1	8.1	9.1	9.1	9.1	9.2	10.3	10.3	10.3	10.4	11.7	11.7	11.7	11.8						
1800	MBh	35.4	35.9	36.9	38.5	35.1	35.6	36.6	38.2	34.2	34.7	35.7	37.3	32.6	33.1	34.2	35.7	30.8	31.2	32.3	33.8	29.0	29.5	30.5	32.1						
	S/T	0.77	0.70	0.58	0.4	0.78	0.71	0.58	0.4	1.00	0.73	0.61	0.5	1.00	0.75	0.62	0.5	1.00	0.77	0.64	0.5	1.00	1.00	0.69	0.6						
	ΔT	1	1	1	0	1	1	1	0	1	1	1	0	1	1	1	0	1	1	1	0	1	1	1	0						
	kW	1.82	1.82	1.81	1.8	2.02	2.02	2.02	2.0	2.25	2.25	2.24	2.3	2.49	2.49	2.49	2.5	2.77	2.77	2.76	2.8	3.09	3.09	3.09	3.1						
	Amps	6.2	6.2	6.2	6.3	7.1	7.1	7.1	7.2	8.1	8.1	8.1	8.2	9.2	9.2	9.2	9.2	10.4	10.4	10.3	10.4	11.8	11.8	11.8	11.8						

IDB = Entering Indoor Dry Bulb Temperature
 High and low pressures are measured at the liquid and suction service valves.
 Shaded area is ACCA (TVA) conditions
 kW = Total system power
 Amps = outdoor unit amps (comp.+fan)

EXPANDED COOLING DATA — GGLXT7CA4810**/CA*TA6030*3A*+EEP - LOW STAGE (CONT.)

IDB		OUTDOOR AMBIENT TEMPERATURE																																			
		65°F						75°F						85°F						95°F						105°F						115°F					
		59	63	67	71	71	71	59	63	67	71	71	71	59	63	67	71	71	71	59	63	67	71	71	71	59	63	67	71	71	71	59	63	67	71	71	71
		ENTERING INDOOR WET BULB TEMPERATURE																																			
80	MBh	34.6	35.1	36.1	37.7	34.3	34.8	35.8	37.4	33.4	33.9	34.9	36.5	31.8	32.3	33.3	34.9	29.9	30.4	31.5	33.0	28.2	28.7	29.7	31.3												
	S/T	0.80	0.73	0.61	0.5	1.00	0.74	0.61	0.5	1.00	0.76	0.63	0.5	1.00	0.78	0.65	0.5	1.00	1.00	0.67	0.5	1.00	1.00	0.72	0.6												
	ΔT	1	1	1	1	1	1	1	1	1	1	1	1	1	1	1	1	1	1	1	1	1	1	1	1												
	kW	1.80	1.80	1.80	1.8	2.00	2.00	2.00	2.0	2.23	2.23	2.23	2.2	2.48	2.47	2.47	2.5	2.75	2.75	2.75	2.8	3.07	3.07	3.07	3.1												
	Amps	6.2	6.2	6.1	6.2	7.0	7.0	7.0	7.1	8.0	8.0	8.0	8.1	9.1	9.1	9.1	9.1	10.3	10.3	10.3	10.3	11.7	11.7	11.7	11.7												
1120	MBh	35.0	35.5	36.5	38.1	34.7	35.2	36.2	37.8	33.8	34.3	35.3	36.9	32.3	32.8	33.8	35.4	30.4	30.9	31.9	33.5	28.7	29.2	30.2	31.8												
	S/T	0.86	0.79	0.66	0.5	1.00	0.79	0.67	0.5	1.00	0.82	0.69	0.6	1.00	0.84	0.71	0.6	1.00	1.00	0.73	0.6	1.00	1.00	0.78	0.6												
	ΔT	1	1	1	1	1	1	1	1	1	1	1	1	1	1	1	1	1	1	1	1	1	1	1	1												
	kW	1.81	1.81	1.81	1.82	2.01	2.01	2.01	2.03	2.24	2.24	2.24	2.25	2.49	2.49	2.48	2.50	2.76	2.76	2.76	2.77	3.08	3.08	3.08	3.09												
	Amps	6.2	6.2	6.2	6.3	7.1	7.1	7.1	7.1	8.1	8.1	8.1	8.1	9.1	9.1	9.1	9.2	10.3	10.3	10.3	10.4	11.7	11.7	11.7	11.8												
1260	MBh	35.6	36.1	37.1	38.7	35.3	35.8	36.8	38.3	34.4	34.9	35.9	37.4	32.8	33.3	34.3	35.9	30.9	31.4	32.4	34.0	29.2	29.7	30.7	32.3												
	S/T	1.00	0.82	0.69	0.6	1.00	0.83	0.70	0.6	1.00	0.85	0.72	0.6	1.00	0.87	0.74	0.6	1.00	1.00	0.76	0.6	1.00	1.00	0.81	0.7												
	ΔT	1	1	1	1	1	1	1	1	1	1	1	1	1	1	1	1	1	1	1	1	1	1	1	1												
	kW	1.82	1.82	1.82	1.8	2.02	2.02	2.02	2.0	2.25	2.25	2.25	2.3	2.50	2.49	2.49	2.5	2.77	2.77	2.76	2.8	3.09	3.09	3.09	3.1												
	Amps	6.2	6.2	6.2	6.3	7.1	7.1	7.1	7.2	8.1	8.1	8.1	8.2	9.2	9.2	9.2	9.2	10.4	10.4	10.4	10.4	11.8	11.8	11.8	11.8												

85	MBh	35.2	35.6	36.7	38.2	34.9	35.3	36.4	37.9	34.0	34.4	35.5	37.0	32.4	32.9	33.9	35.5	30.5	31.0	32.0	33.6	28.8	29.3	30.3	31.9
	S/T	1.00	0.83	0.70	0.6	1.00	0.83	0.71	0.6	1.00	1.00	0.73	0.6	1.00	1.00	0.75	0.6	1.00	1.00	0.77	0.6	1.00	1.00	0.82	0.7
	ΔT	1	1	1	1	1	1	1	1	1	1	1	1	1	1	1	1	1	1	1	1	1	1	1	1
	kW	1.81	1.80	1.80	1.8	2.01	2.01	2.00	2.0	2.23	2.23	2.23	2.2	2.48	2.48	2.48	2.5	2.75	2.75	2.75	2.8	3.08	3.07	3.07	3.1
	Amps	6.2	6.2	6.2	6.2	7.1	7.1	7.0	7.1	8.0	8.0	8.0	8.1	9.1	9.1	9.1	9.2	10.3	10.3	10.3	10.4	11.7	11.7	11.7	11.8
1120	MBh	35.6	36.1	37.1	38.7	35.3	35.8	36.8	38.4	34.4	34.9	35.9	37.5	32.9	33.3	34.4	35.9	31.0	31.5	32.5	34.1	29.2	29.7	30.8	32.3
	S/T	1.00	0.88	0.76	0.6	1.00	0.89	0.76	0.6	1.00	1.00	0.79	0.7	1.00	1.00	0.80	0.7	1.00	1.00	0.82	0.7	1.00	1.00	1.00	0.7
	ΔT	1	1	1	1	1	1	1	1	1	1	1	1	1	1	1	1	1	1	1	1	1	1	1	1
	kW	1.82	1.81	1.81	1.83	2.02	2.02	2.01	2.03	2.25	2.24	2.24	2.26	2.49	2.49	2.49	2.50	2.77	2.76	2.76	2.78	3.09	3.09	3.08	3.10
	Amps	6.2	6.2	6.2	6.3	7.1	7.1	7.1	7.2	8.1	8.1	8.1	8.1	9.2	9.2	9.2	9.2	10.4	10.3	10.3	10.4	11.8	11.7	11.7	11.8
1260	MBh	36.2	36.6	37.7	39.2	35.8	36.3	37.4	38.9	34.9	35.4	36.5	38.0	33.4	33.9	34.9	36.5	31.5	32.0	33.0	34.6	29.8	30.3	31.3	32.9
	S/T	1.00	0.91	0.79	0.7	1.00	0.92	0.79	0.7	1.00	1.00	0.82	0.7	1.00	1.00	0.84	0.7	1.00	1.00	0.86	0.7	1.00	1.00	1.00	0.8
	ΔT	1	1	1	1	1	1	1	1	1	1	1	1	1	1	1	1	1	1	1	1	1	1	1	1
	kW	1.82	1.82	1.82	1.8	2.03	2.03	2.02	2.0	2.25	2.25	2.25	2.3	2.50	2.50	2.49	2.5	2.77	2.77	2.77	2.8	3.10	3.09	3.09	3.1
	Amps	6.3	6.3	6.2	6.3	7.1	7.1	7.1	7.2	8.1	8.1	8.1	8.2	9.2	9.2	9.2	9.2	10.4	10.4	10.4	10.4	11.8	11.8	11.8	11.8

IDB = Entering Indoor Dry Bulb Temperature

High and low pressures are measured at the liquid and suction service valves.

Shaded area is ACCA (TVA) conditions

kW = Total system power
Amps = outdoor unit amps (comp.+fan)

EXPANDED COOLING DATA – GLXT7CA6010**/CA*TA6030*3A*+EEP - HIGH STAGE

IDB AIRFLOW		OUTDOOR AMBIENT TEMPERATURE																																			
		65°F						75°F						85°F						95°F						105°F						115°F					
		59	63	67	71	59	63	67	71	59	63	67	71	59	63	67	71	59	63	67	71	59	63	67	71	59	63	67	71								
70	MBh	58.8	59.6	61.3	-	58.2	59.1	60.8	-	56.7	57.5	59.3	-	54.1	54.9	56.7	-	50.9	51.7	53.5	-	48.0	48.8	50.6	-												
	S/T	0.59	0.52	0.40	-	0.59	0.53	0.41	-	0.62	0.55	0.43	-	0.63	0.57	0.45	-	0.65	0.58	0.47	-	1.00	0.63	0.51	-												
	ΔT	22	20	16	-	22	20	16	-	23	20	16	-	22	20	16	-	22	20	16	-	23	21	17	-												
	kW	3.52	3.52	3.51	-	3.94	3.94	3.93	-	4.41	4.41	4.40	-	4.92	4.92	4.91	-	5.49	5.48	5.48	-	6.15	6.15	6.14	-												
	Amps	12.5	12.4	12.4	-	14.3	14.3	14.2	-	16.3	16.3	16.3	-	18.5	18.5	18.5	-	21.0	21.0	20.9	-	23.9	23.9	23.8	-												
2000	MBh	61.8	62.6	64.3	-	61.2	62.1	63.8	-	59.7	60.5	62.3	-	57.1	57.9	59.7	-	53.9	54.8	56.5	-	51.0	51.9	53.6	-												
	S/T	0.62	0.56	0.44	-	0.63	0.56	0.44	-	0.65	0.58	0.46	-	0.67	0.60	0.48	-	1.00	0.62	0.50	-	1.00	0.67	0.55	-												
	ΔT	20	17	13	-	19	17	13	-	20	18	14	-	19	17	13	-	19	17	13	-	21	18	14	-												
	kW	3.57	3.57	3.56	-	3.99	3.99	3.98	-	4.46	4.46	4.45	-	4.97	4.96	4.96	-	5.53	5.53	5.52	-	6.20	6.19	6.19	-												
	Amps	12.7	12.6	12.6	-	14.5	14.5	14.4	-	16.5	16.5	16.5	-	18.7	18.7	18.7	-	21.2	21.2	21.1	-	24.1	24.1	24.0	-												
2250	MBh	63.8	64.7	66.4	-	63.3	64.1	65.9	-	61.8	62.6	64.4	-	59.2	60.0	61.7	-	56.0	56.8	58.6	-	53.1	53.9	55.7	-												
	S/T	0.59	0.52	0.40	-	0.59	0.53	0.41	-	0.62	0.55	0.43	-	1.00	0.57	0.45	-	1.00	0.59	0.47	-	1.00	0.63	0.51	-												
	ΔT	18	16	12	-	18	16	12	-	19	16	12	-	18	16	12	-	18	16	12	-	19	17	13	-												
	kW	3.59	3.59	3.58	-	4.01	4.01	4.00	-	4.48	4.48	4.47	-	4.99	4.98	4.98	-	5.55	5.55	5.54	-	6.22	6.21	6.21	-												
	Amps	12.7	12.7	12.7	-	14.6	14.5	14.5	-	16.6	16.6	16.6	-	18.8	18.8	18.8	-	21.3	21.3	21.2	-	24.2	24.1	24.1	-												

IDB AIRFLOW		OUTDOOR AMBIENT TEMPERATURE																																			
		65°F						75°F						85°F						95°F						105°F						115°F					
		59	63	67	71	59	63	67	71	59	63	67	71	59	63	67	71	59	63	67	71	59	63	67	71	59	63	67	71								
75	MBh	58.8	59.6	61.3	64.0	58.3	59.1	60.8	63.5	56.8	57.6	59.3	62.0	54.1	55.0	56.7	59.3	51.0	51.8	53.5	56.2	48.1	48.9	50.6	53.3												
	S/T	0.70	0.63	0.51	0.4	0.71	0.64	0.52	0.4	0.73	0.66	0.54	0.4	1.00	0.68	0.56	0.4	1.00	0.70	0.58	0.5	1.00	0.74	0.62	0.5												
	ΔT	27	25	21	17	27	25	21	17	27	25	21	17	27	25	21	17	27	25	21	16	28	26	22	18												
	kW	3.52	3.52	3.51	3.5	3.94	3.94	3.93	4.0	4.41	4.41	4.40	4.4	4.92	4.91	4.91	4.9	5.48	5.48	5.47	5.5	6.15	6.15	6.14	6.2												
	Amps	12.4	12.4	12.4	12.5	14.3	14.3	14.2	14.4	16.3	16.3	16.3	16.4	18.5	18.5	18.5	18.6	21.0	21.0	20.9	21.1	23.9	23.8	23.8	24.0												
2000	MBh	61.8	62.6	64.3	67.0	61.3	62.1	63.8	66.5	59.8	60.6	62.3	65.0	57.2	58.0	59.7	62.4	54.0	54.8	56.5	59.2	51.1	51.9	53.6	56.3												
	S/T	0.74	0.67	0.55	0.4	0.74	0.67	0.56	0.4	1.00	0.70	0.58	0.5	1.00	0.71	0.59	0.5	1.00	0.73	0.61	0.5	1.00	0.78	0.66	0.5												
	ΔT	24	22	18	14	24	22	18	14	25	22	18	14	24	22	18	14	24	22	18	13	25	23	19	15												
	kW	3.57	3.56	3.56	3.59	3.99	3.98	3.98	4.01	4.46	4.45	4.45	4.48	4.96	4.96	4.95	4.99	5.53	5.53	5.52	5.55	6.20	6.19	6.19	6.22												
	Amps	12.6	12.6	12.6	12.7	14.5	14.5	14.4	14.6	16.5	16.5	16.5	16.6	18.7	18.7	18.7	18.8	21.2	21.2	21.1	21.3	24.1	24.0	24.0	24.2												
2250	MBh	63.9	64.7	66.4	69.1	63.3	64.2	65.9	68.5	61.8	62.7	64.4	67.0	59.2	60.0	61.8	64.4	56.0	56.9	58.6	61.2	53.1	54.0	55.7	58.3												
	S/T	0.70	0.64	0.52	0.4	0.71	0.64	0.52	0.4	1.00	0.66	0.54	0.4	1.00	0.68	0.56	0.4	1.00	0.70	0.58	0.5	1.00	1.00	0.63	0.5												
	ΔT	23	21	17	13	23	21	17	13	23	21	17	13	23	21	17	13	23	21	17	12	24	22	18	14												
	kW	3.59	3.58	3.58	3.6	4.01	4.00	4.00	4.0	4.48	4.47	4.47	4.5	4.98	4.98	4.97	5.0	5.55	5.55	5.54	5.6	6.21	6.21	6.20	6.2												
	Amps	12.7	12.7	12.7	12.8	14.5	14.5	14.5	14.6	16.6	16.6	16.5	16.7	18.8	18.8	18.7	18.9	21.3	21.2	21.2	21.4	24.1	24.1	24.1	24.2												

IDB = Entering Indoor Dry Bulb Temperature
 High and low pressures are measured at the liquid and suction service valves.
 Shaded area is ACCA (TVA) conditions
 kW = Total system power
 Amps = outdoor unit amps (comp.+fan)

EXPANDED COOLING DATA – GLXT7CA6010**/CA*TA6030*3A*+EEP - HIGH STAGE (CONT.)

IDB	AIREFLOW	OUTDOOR AMBIENT TEMPERATURE																							
		65°F				75°F				85°F				95°F				105°F				115°F			
		59	63	67	71	59	63	67	71	59	63	67	71	59	63	67	71	59	63	67	71	59	63	67	71
1485	MBh	59.1	59.9	61.6	64.3	58.6	59.4	61.1	63.8	57.1	57.9	59.6	62.3	54.4	55.3	57.0	59.6	51.3	52.1	53.8	56.5	48.4	49.2	50.9	53.6
	S/T	0.81	0.75	0.63	0.5	1.00	0.75	0.63	0.5	1.00	0.77	0.65	0.5	1.00	0.79	0.67	0.5	1.00	0.81	0.69	0.6	1.00	1.00	0.74	0.6
	ΔT	32	30	26	21	32	30	26	21	32	30	26	22	32	30	26	21	32	29	25	21	33	31	27	22
	kW	3.52	3.52	3.51	3.5	3.94	3.94	3.93	4.0	4.41	4.41	4.40	4.4	4.92	4.92	4.91	4.9	5.49	5.48	5.48	5.5	6.15	6.15	6.14	6.2
	Amps	12.4	12.4	12.4	12.5	14.3	14.3	14.2	14.4	16.3	16.3	16.3	16.4	18.5	18.5	18.5	18.6	21.0	21.0	20.9	21.1	23.9	23.9	23.8	24.0
80	MBh	62.1	62.9	64.6	67.3	61.6	62.4	64.1	66.8	60.1	60.9	62.6	65.3	57.5	58.3	60.0	62.7	54.3	55.1	56.8	59.5	51.4	52.2	53.9	56.6
	S/T	0.85	0.78	0.66	0.5	1.00	0.79	0.67	0.5	1.00	0.81	0.69	0.6	1.00	0.82	0.71	0.6	1.00	1.00	0.72	0.6	1.00	1.00	0.77	0.6
	ΔT	29	27	23	19	29	27	23	19	29	27	23	19	29	27	23	19	29	27	23	18	30	28	24	20
	kW	3.57	3.57	3.56	3.59	3.99	3.99	3.98	4.01	4.46	4.46	4.45	4.48	4.97	4.96	4.96	4.99	5.53	5.53	5.52	5.55	6.20	6.19	6.19	6.22
	Amps	12.6	12.6	12.6	12.7	14.5	14.5	14.4	14.6	16.5	16.5	16.5	16.6	18.7	18.7	18.7	18.8	21.2	21.2	21.1	21.3	24.1	24.1	24.0	24.2
2250	MBh	64.2	65.0	66.7	69.4	63.6	64.5	66.2	68.8	62.1	63.0	64.7	67.3	59.5	60.3	62.1	64.7	56.3	57.2	58.9	61.5	53.4	54.3	56.0	58.6
	S/T	1.00	0.75	0.63	0.5	1.00	0.75	0.63	0.5	1.00	0.77	0.65	0.5	1.00	0.79	0.67	0.5	1.00	1.00	0.69	0.6	1.00	1.00	0.74	0.6
	ΔT	28	26	22	17	28	26	22	17	28	26	22	18	28	26	22	17	28	25	21	17	29	27	23	18
	kW	3.59	3.59	3.58	3.6	4.01	4.01	4.00	4.0	4.48	4.47	4.47	4.5	4.99	4.98	4.97	5.0	5.55	5.55	5.54	5.6	6.22	6.21	6.21	6.2
	Amps	12.7	12.7	12.7	12.8	14.6	14.5	14.5	14.7	16.6	16.6	16.6	16.7	18.8	18.8	18.8	18.9	21.3	21.3	21.2	21.4	24.2	24.1	24.1	24.3

1485	MBh	60.1	60.9	62.6	65.3	59.5	60.4	62.1	64.7	58.0	58.8	60.6	63.2	55.4	56.2	58.0	60.6	52.2	53.1	54.8	57.4	49.3	50.2	51.9	54.5
	S/T	1.00	0.83	0.71	0.6	1.00	0.84	0.72	0.6	1.00	0.86	0.74	0.6	1.00	1.00	0.76	0.6	1.00	1.00	0.78	0.7	1.00	1.00	0.82	0.7
	ΔT	36	34	30	26	36	34	30	26	37	34	30	26	36	34	30	26	36	34	30	25	37	35	31	27
	kW	3.53	3.53	3.52	3.6	3.95	3.95	3.94	4.0	4.42	4.42	4.41	4.4	4.93	4.92	4.92	4.9	5.49	5.49	5.48	5.5	6.16	6.16	6.15	6.2
	Amps	12.5	12.5	12.4	12.6	14.3	14.3	14.3	14.4	16.3	16.3	16.3	16.4	18.6	18.5	18.5	18.6	21.0	21.0	21.0	21.1	23.9	23.9	23.9	24.0
2000	MBh	63.1	63.9	65.6	68.3	62.6	63.4	65.1	67.8	61.0	61.9	63.6	66.2	58.4	59.3	61.0	63.6	55.3	56.1	57.8	60.4	52.3	53.2	54.9	57.5
	S/T	1.00	0.87	0.75	0.6	1.00	0.87	0.76	0.6	1.00	1.00	0.78	0.7	1.00	1.00	0.79	0.7	1.00	1.00	0.81	0.7	1.00	1.00	0.86	0.7
	ΔT	33	31	27	23	33	31	27	23	34	32	27	23	33	31	27	23	33	31	27	23	34	32	28	24
	kW	3.58	3.58	3.57	3.60	4.00	3.99	3.99	4.02	4.47	4.46	4.46	4.49	4.97	4.97	4.96	5.00	5.54	5.54	5.53	5.56	6.21	6.20	6.20	6.23
	Amps	12.7	12.7	12.6	12.8	14.5	14.5	14.5	14.6	16.5	16.5	16.5	16.6	18.8	18.7	18.7	18.8	21.2	21.2	21.2	21.3	24.1	24.1	24.1	24.2
2250	MBh	65.1	66.0	67.7	70.3	64.6	65.4	67.2	69.8	63.1	63.9	65.7	68.3	60.5	61.3	63.1	65.7	57.3	58.1	59.9	62.5	54.4	55.2	57.0	59.6
	S/T	1.00	0.84	0.72	0.6	1.00	1.00	0.72	0.6	1.00	1.00	0.74	0.6	1.00	1.00	0.76	0.6	1.00	1.00	0.78	0.7	1.00	1.00	1.00	0.7
	ΔT	32	30	26	22	32	30	26	22	33	30	26	22	32	30	26	22	32	30	26	21	33	31	27	23
	kW	3.60	3.59	3.59	3.6	4.02	4.01	4.01	4.0	4.49	4.48	4.48	4.5	4.99	4.99	4.98	5.0	5.56	5.56	5.55	5.6	6.23	6.22	6.21	6.2
	Amps	12.8	12.8	12.7	12.9	14.6	14.6	14.5	14.7	16.6	16.6	16.6	16.7	18.8	18.8	18.8	18.9	21.3	21.3	21.3	21.4	24.2	24.2	24.1	24.3

IDB = Entering Indoor Dry Bulb Temperature
 High and low pressures are measured at the liquid and suction service valves.
 Shaded area is ACCA (TVA) conditions
 kW = Total system power
 Amps = outdoor unit amps (comp.+fan)

EXPANDED COOLING DATA – GLXT7CA6010**/CA*TA6030*3A*+EEP - LOW STAGE

IDB	AIRFLOW	OUTDOOR AMBIENT TEMPERATURE																			
		65°F			75°F			85°F			95°F			105°F			115°F				
		59	63	67	71	59	63	67	71	59	63	67	71	59	63	67	71	59	63	67	71
70	MBh	41.2	41.8	43.0	-	40.8	41.4	42.7	-	39.7	40.3	41.6	-	37.9	38.5	39.7	-	35.6	36.2	37.4	-
	S/T	0.46	0.39	0.27	-	0.46	0.40	0.27	-	0.49	0.42	0.30	-	0.50	0.44	0.31	-	0.52	0.46	0.33	-
	ΔT	24.56	22.45	18.50	-	24.50	22.39	18.44	-	24.80	22.68	18.74	-	24.48	22.37	18.42	-	24.20	22.08	18.14	-
	kW	2.18	2.18	2.18	-	2.45	2.45	2.44	-	2.74	2.74	2.74	-	3.06	3.06	3.06	-	3.42	3.42	3.41	-
	Amps	7.7	7.7	7.7	-	8.8	8.8	8.8	-	10.1	10.1	10.1	-	11.5	11.5	11.5	-	13.1	13.1	13.0	-
70	MBh	42.2	42.8	44.1	-	41.9	42.5	43.7	-	40.8	41.4	42.6	-	38.9	39.5	40.7	-	36.6	37.2	38.5	-
	S/T	0.60	0.53	0.41	-	0.61	0.54	0.42	-	0.63	0.56	0.44	-	0.65	0.58	0.46	-	0.67	0.60	0.48	-
	ΔT	21.56	19.45	15.51	-	21.51	19.39	15.45	-	21.80	19.69	15.75	-	21.48	19.37	15.43	-	21.20	19.09	15.15	-
	kW	2.22	2.22	2.21	-	2.48	2.48	2.47	-	2.78	2.77	2.77	-	3.10	3.09	3.09	-	3.45	3.45	3.44	-
	Amps	7.8	7.8	7.8	-	9.0	9.0	9.0	-	10.3	10.3	10.2	-	11.6	11.6	11.6	-	13.2	13.2	13.2	-
1575	MBh	42.9	43.5	44.7	-	42.5	43.1	44.4	-	41.4	42.0	43.3	-	39.6	40.2	41.4	-	37.3	37.9	39.1	-
	S/T	0.63	0.57	0.44	-	0.64	0.57	0.45	-	0.66	0.59	0.47	-	0.68	0.61	0.49	-	1.00	0.63	0.51	-
	ΔT	20.49	18.38	14.43	-	20.43	18.32	14.37	-	20.73	18.62	14.67	-	20.41	18.30	14.35	-	20.13	18.01	14.07	-
	kW	2.23	2.23	2.22	-	2.49	2.49	2.49	-	2.79	2.79	2.78	-	3.11	3.10	3.10	-	3.46	3.46	3.46	-
	Amps	7.9	7.9	7.9	-	9.0	9.0	9.0	-	10.3	10.3	10.3	-	11.7	11.7	11.7	-	13.2	13.2	13.2	-

75	MBh	41.2	41.8	43.1	45.0	40.9	41.4	42.7	44.6	39.8	40.4	41.6	43.5	37.9	38.5	39.7	41.6	35.6	36.2	37.4	39.3
	S/T	0.58	0.51	0.38	0.25	0.58	0.51	0.39	0.26	0.60	0.54	0.41	0.28	1.00	0.55	0.43	0.30	1.00	0.57	0.45	0.32
	ΔT	29.20	27.09	23.15	19.06	29.14	27.03	23.09	19.00	29.44	27.33	23.38	19.30	29.12	27.01	23.07	18.98	28.84	26.73	22.78	18.70
	kW	2.18	2.18	2.18	2.20	2.45	2.45	2.44	2.46	2.74	2.74	2.74	2.76	3.06	3.06	3.05	3.07	3.42	3.42	3.41	3.43
	Amps	7.7	7.7	7.7	7.7	8.8	8.8	8.8	8.9	10.1	10.1	10.1	10.2	11.5	11.5	11.5	11.6	13.1	13.0	13.0	13.1
75	MBh	42.3	42.9	44.1	46.0	41.9	42.5	43.7	45.6	40.8	41.4	42.6	44.5	38.9	39.5	40.8	42.7	36.6	37.2	38.5	40.4
	S/T	0.72	0.65	0.53	0.40	0.73	0.66	0.53	0.40	0.75	0.68	0.56	0.43	1.00	0.70	0.57	0.45	1.00	0.72	0.59	0.47
	ΔT	26.21	24.09	20.15	16.07	26.15	24.04	20.09	16.01	26.45	24.33	20.39	16.30	26.13	24.02	20.07	15.99	25.85	23.73	19.79	15.70
	kW	2.22	2.21	2.21	2.23	2.48	2.48	2.47	2.49	2.77	2.77	2.77	2.79	3.09	3.09	3.09	3.11	3.45	3.45	3.44	3.46
	Amps	7.8	7.8	7.8	7.9	9.0	9.0	8.9	9.0	10.3	10.2	10.2	10.3	11.6	11.6	11.6	11.7	13.2	13.2	13.2	13.3
75	MBh	42.9	43.5	44.8	46.7	42.6	43.1	44.4	46.3	41.5	42.1	43.3	45.2	39.6	40.2	41.4	43.3	37.3	37.9	39.1	41.0
	S/T	0.75	0.68	0.56	0.43	0.76	0.69	0.57	0.44	1.00	0.71	0.59	0.46	1.00	0.73	0.61	0.48	1.00	0.75	0.63	0.50
	ΔT	25.13	23.02	19.08	14.99	25.07	22.96	19.02	14.93	25.37	23.26	19.32	15.23	25.05	22.94	19.00	14.91	24.77	22.66	18.72	14.63
	kW	2.23	2.22	2.22	2.24	2.49	2.49	2.48	2.50	2.79	2.78	2.78	2.80	3.10	3.10	3.10	3.12	3.46	3.46	3.45	3.47
	Amps	7.87	7.87	7.85	7.93	9.02	9.01	8.99	9.08	10.30	10.30	10.28	10.36	11.69	11.68	11.66	11.75	13.24	13.23	13.21	13.30

IDB = Entering Indoor Dry Bulb Temperature
 High and low pressures are measured at the liquid and suction service valves.
 Shaded area is ACCA (TVA) conditions
 kW = Total system power
 Amps = outdoor unit amps (comp.+fan)

EXPANDED COOLING DATA – GLXT7CA6010**/CA*TA6030*3A*+EEP - LOW STAGE (CONT.)

		OUTDOOR AMBIENT TEMPERATURE																																			
		65°F						75°F						85°F						95°F						105°F						115°F					
IDB	AIREFLOW	ENTERING INDOOR WET BULB TEMPERATURE																																			
		59	63	67	71	71	59	63	67	71	71	59	63	67	71	71	59	63	67	71	71	59	63	67	71	71	59	63	67	71	71						
80	MBh	41.4	42.0	43.3	45.2	45.2	41.1	41.7	42.9	44.8	44.8	40.0	40.6	41.8	43.7	43.7	38.1	38.7	39.9	41.8	41.8	35.8	36.4	37.7	39.6	39.6	33.7	34.3	35.6	37.5	37.5						
	S/T	0.69	0.62	0.50	0.4	0.4	1.00	0.63	0.50	0.4	0.4	1.00	0.65	0.53	0.4	0.4	1.00	0.67	0.54	0.4	0.4	1.00	0.69	0.56	0.4	0.4	1.00	1.00	0.61	0.5	0.5						
	ΔT	33.9	31.8	27.8	23.7	23.7	33.8	31.7	27.8	23.7	23.7	34.1	32.0	28.1	24.0	24.0	33.8	31.7	27.7	23.7	23.7	33.5	31.4	27.5	23.4	23.4	34.8	32.7	28.8	24.7	24.7						
	kW	2.18	2.18	2.18	2.2	2.2	2.45	2.45	2.44	2.5	2.5	2.74	2.74	2.74	2.8	2.8	3.06	3.06	3.06	3.1	3.1	3.42	3.42	3.41	3.4	3.4	3.84	3.84	3.83	3.9	3.9						
	Amps	7.7	7.7	7.7	7.7	7.7	8.8	8.8	8.8	8.9	8.9	10.1	10.1	10.1	10.2	10.2	11.5	11.5	11.5	11.6	11.6	13.1	13.0	13.0	13.1	13.1	14.9	14.9	14.8	14.9	14.9						
1040	MBh	42.5	43.1	44.3	46.2	46.2	42.1	42.7	43.9	45.8	45.8	41.0	41.6	42.9	44.8	44.8	39.1	39.7	41.0	42.9	42.9	36.9	37.4	38.7	40.6	40.6	34.8	35.4	36.6	38.5	38.5						
	S/T	0.83	0.77	0.64	0.5	0.5	1.00	0.77	0.65	0.5	0.5	1.00	0.79	0.67	0.5	0.5	1.00	0.81	0.69	0.6	0.6	1.00	0.83	0.71	0.6	0.6	1.00	1.00	0.75	0.6	0.6						
	ΔT	30.9	28.8	24.8	20.7	20.7	30.8	28.7	24.8	20.7	20.7	31.1	29.0	25.1	21.0	21.0	30.8	28.7	24.7	20.7	20.7	30.5	28.4	24.5	20.4	20.4	31.8	29.7	25.8	21.7	21.7						
	kW	2.22	2.21	2.21	2.23	2.23	2.48	2.48	2.47	2.49	2.49	2.78	2.77	2.77	2.79	2.79	3.09	3.09	3.09	3.11	3.11	3.45	3.45	3.44	3.46	3.46	3.87	3.87	3.86	3.88	3.88						
	Amps	7.8	7.8	7.8	7.9	7.9	9.0	9.0	9.0	9.0	9.0	10.3	10.3	10.2	10.3	10.3	11.6	11.6	11.6	11.7	11.7	13.2	13.2	13.2	13.3	13.3	15.0	15.0	15.0	15.1	15.1						
1575	MBh	43.1	43.7	45.0	46.9	46.9	42.8	43.4	44.6	46.5	46.5	41.7	42.3	43.5	45.4	45.4	39.8	40.4	41.6	43.5	43.5	37.5	38.1	39.4	41.3	41.3	35.4	36.0	37.3	39.2	39.2						
	S/T	0.86	0.80	0.67	0.5	0.5	1.00	0.80	0.68	0.5	0.5	1.00	0.82	0.70	0.6	0.6	1.00	0.84	0.72	0.6	0.6	1.00	1.00	0.74	0.6	0.6	1.00	1.00	0.79	0.7	0.7						
	ΔT	29.8	27.7	23.8	19.7	19.7	29.8	27.6	23.7	19.6	19.6	30.0	27.9	24.0	19.9	19.9	29.7	27.6	23.7	19.6	19.6	29.4	27.3	23.4	19.3	19.3	30.8	28.7	24.7	20.6	20.6						
	kW	2.23	2.23	2.22	2.2	2.2	2.49	2.49	2.49	2.5	2.5	2.79	2.79	2.78	2.8	2.8	3.11	3.10	3.10	3.1	3.1	3.46	3.46	3.46	3.5	3.5	3.88	3.88	3.87	3.9	3.9						
	Amps	7.9	7.9	7.9	7.9	7.9	9.0	9.0	9.0	9.0	9.1	10.3	10.3	10.3	10.4	10.4	11.7	11.7	11.7	11.8	11.8	13.2	13.2	13.2	13.3	13.3	15.1	15.1	15.1	15.0	15.1						

85	MBh	42.1	42.7	44.0	45.9	45.9	41.8	42.4	43.6	45.5	45.5	40.7	41.3	42.5	44.4	44.4	38.8	39.4	40.6	42.6	42.6	36.5	37.1	38.4	40.3	40.3	34.4	35.0	36.3	38.2	38.2
	S/T	1.00	0.71	0.59	0.5	0.5	1.00	0.72	0.60	0.5	0.5	1.00	0.74	0.62	0.5	0.5	1.00	1.00	0.64	0.5	0.5	1.00	1.00	0.66	0.5	0.5	1.00	1.00	0.70	0.6	0.6
	ΔT	38.0	35.9	32.0	27.9	27.9	38.0	35.9	31.9	27.8	27.8	38.3	36.2	32.2	28.1	28.1	37.9	35.8	31.9	27.8	27.8	37.7	35.5	31.6	27.5	27.5	39.0	36.9	32.9	28.8	28.8
	kW	2.19	2.19	2.18	2.2	2.2	2.45	2.45	2.45	2.5	2.5	2.75	2.75	2.74	2.8	2.8	3.07	3.07	3.06	3.1	3.1	3.42	3.42	3.42	3.4	3.4	3.84	3.84	3.84	3.9	3.9
	Amps	7.7	7.7	7.7	7.8	7.8	8.9	8.9	8.8	8.9	8.9	10.1	10.1	10.1	10.2	10.2	11.5	11.5	11.5	11.6	11.6	13.1	13.1	13.1	13.1	13.1	14.9	14.9	14.9	15.0	15.0
1040	MBh	43.2	43.8	45.0	46.9	46.9	42.8	43.4	44.6	46.5	46.5	41.7	42.3	43.6	45.5	45.5	39.9	40.4	41.7	43.6	43.6	37.6	38.2	39.4	41.3	41.3	35.5	36.1	37.3	39.2	39.2
	S/T	1.00	0.86	0.73	0.6	0.6	1.00	0.86	0.74	0.6	0.6	1.00	1.00	0.76	0.6	0.6	1.00	1.00	0.78	0.7	0.7	1.00	1.00	0.80	0.7	0.7	1.00	1.00	0.85	0.7	0.7
	ΔT	35.0	32.9	29.0	24.9	24.9	35.0	32.9	28.9	24.8	24.8	35.3	33.2	29.2	25.1	25.1	34.9	32.8	28.9	24.8	24.8	34.7	32.6	28.6	24.5	24.5	36.0	33.9	29.9	25.8	25.8
	kW	2.22	2.22	2.22	2.24	2.24	2.49	2.48	2.48	2.50	2.50	2.78	2.78	2.77	2.79	2.79	3.10	3.10	3.09	3.11	3.11	3.46	3.45	3.45	3.47	3.47	3.87	3.87	3.87	3.89	3.89
	Amps	7.9	7.8	7.8	7.9	7.9	9.0	9.0	9.0	9.1	9.1	10.3	10.3	10.3	10.3	10.3	11.7	11.7	11.6	11.7	11.7	13.2	13.2	13.2	13.3	13.3	15.0	15.0	15.0	15.1	15.1
1400	MBh	43.8	44.4	45.7	47.6	47.6	43.5	44.1	45.3	47.2	47.2	42.4	43.0	44.2	46.1	46.1	40.5	41.1	42.3	44.2	44.2	38.2	38.8	40.1	42.0	42.0	36.1	36.7	38.0	39.9	39.9
	S/T	1.00	0.89	0.76	0.6	0.6	1.00	0.89	0.77	0.6	0.6	1.00	1.00	0.79	0.7	0.7	1.00	1.00	0.81	0.7	0.7	1.00	1.00	0.83	0.7	0.7	1.00	1.00	0.88	0.7	0.7
	ΔT	34.0	31.8	27.9	23.8	23.8	33.9	31.8	27.8	23.8	23.8	34.2	32.1	28.1	24.1	24.1	33.9	31.8	27.8	23.7	23.7	33.6	31.5	27.5	23.5	23.5	34.9	32.8	28.9	24.8	24.8
	kW	2.23	2.23	2.23	2.2	2.2	2.50	2.50	2.49	2.5	2.5	2.79	2.79	2.79	2.8	2.8	3.11	3.11	3.10	3.1	3.1	3.47	3.47	3.46	3.5	3.5	3.89	3.88	3.88	3.9	3.9
	Amps	7.9	7.9	7.9	7.9	7.9	9.1	9.0	9.0	9.1	9.1	10.3	10.3	10.3	10.4	10.4	11.7	11.7	11.7	11.8	11.8	13.3	13.3	13.2	13.3	13.3	15.1	15.1	15.1	15.1	15.1

IDB = Entering Indoor Dry Bulb Temperature
High and low pressures are measured at the liquid and suction service valves.
Shaded area is ACCA (TVA) conditions
kW = Total system power
Amps = outdoor unit amps (comp.+fan)

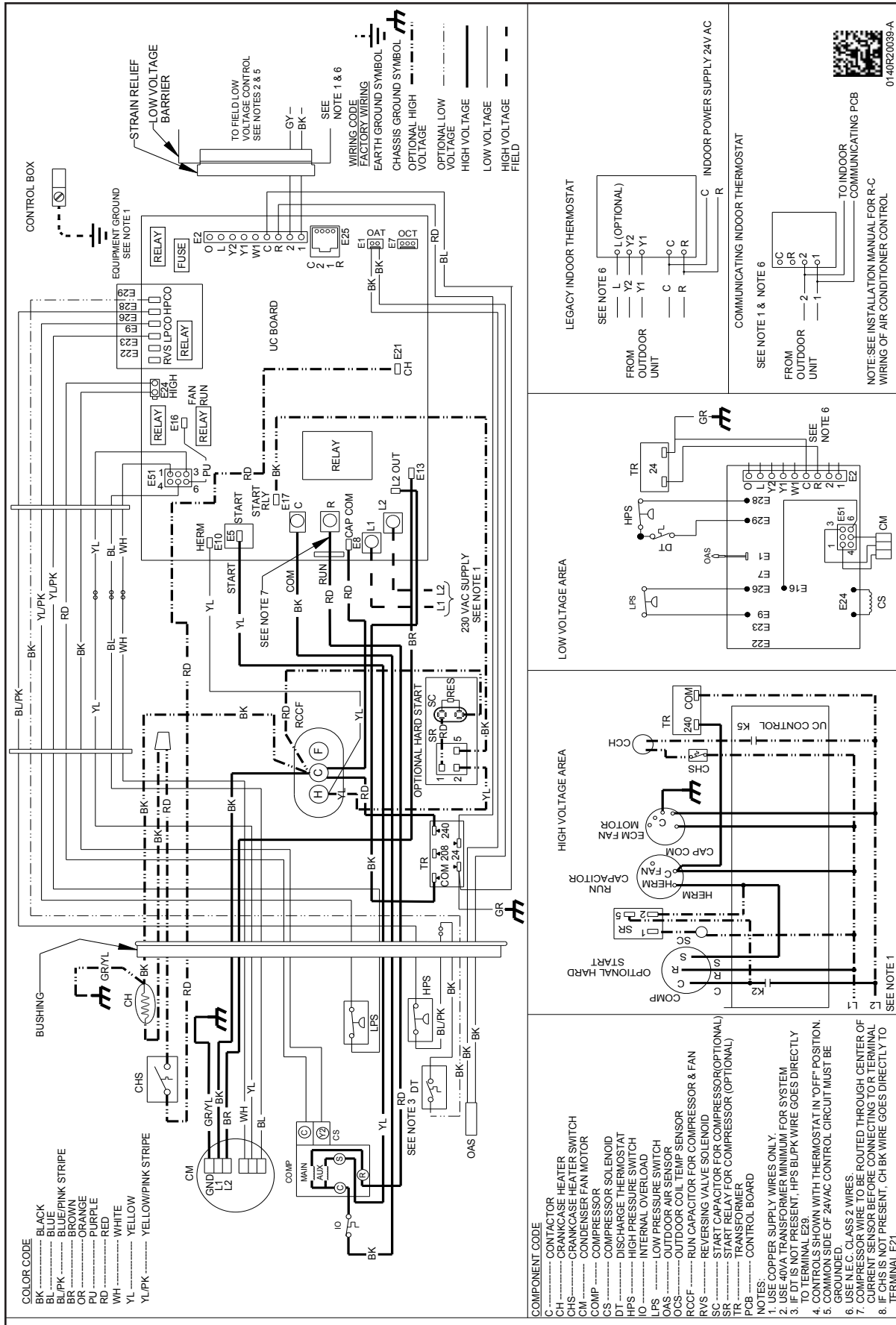
PERFORMANCE DATA - LOW STAGE

GLXT7CA2410**/CA*TA2422*3A*				
CONDITIONS: 80 °F IBD, 67 °F IWB @ 840 CFM				
OUTDOOR TEM. ° F.	TOTAL BTUH	SENSIBLE BTUH	LATENT BTUH	TOTAL WATTS
75	25,730	17,930	7,800	1,610
80	25,415	18,015	7,400	1,700
85	25,100	18,100	7,000	1,790
90	24,550	17,935	6,615	1,885
95	24,000	17,770	6,230	1,980
100	23,330	17,515	5,815	2,090
105	22,660	17,260	5,400	2,200
110	22,050	17,330	4,720	2,325
115	21,440	17,400	4,040	2,450
TVA Conditions @ 95° OD DB, 75° ID DB 63° ID WB				
95°	23,140	17,360	5,780	1,980

GLXT7CA3610**/CA*TA3626*3A*				
CONDITIONS: 80 °F IBD, 67 °F IWB @ 1120 CFM				
OUTDOOR TEM. ° F.	TOTAL BTUH	SENSIBLE BTUH	LATENT BTUH	TOTAL WATTS
75	37,530	25,800	11,730	2,330
80	37,065	25,920	11,145	2,465
85	36,600	26,040	10,560	2,600
90	35,800	25,800	10,000	2,745
95	35,000	25,560	9,440	2,890
100	34,020	25,195	8,825	3,055
105	33,040	24,830	8,210	3,220
110	32,150	24,935	7,215	3,410
115	31,260	25,040	6,220	3,600
TVA Conditions @ 95° OD DB, 75° ID DB 63° ID WB				
95°	33,750	24,980	8,770	2,890

GLXT7CA4810**/CA*TA6030*3A*				
CONDITIONS: 80 °F IBD, 67 °F IWB @ 1400 CFM				
OUTDOOR TEM. ° F.	TOTAL BTUH	SENSIBLE BTUH	LATENT BTUH	TOTAL WATTS
75	50,400	32,750	17,650	3,200
80	49,775	32,900	16,875	3,380
85	49,150	33,050	16,100	3,560
90	48,075	32,745	15,330	3,755
95	47,000	32,440	14,560	3,950
100	45,685	31,980	13,705	4,165
105	44,370	31,520	12,850	4,380
110	43,175	31,650	11,525	4,635
115	41,980	31,780	10,200	4,890
TVA Conditions @ 95° OD DB, 75° ID DB 63° ID WB				
95°	45,320	31,700	13,620	3,950

GLXT7CA6010**/CA*TA6030*3A*				
CONDITIONS: 80 °F IBD, 67 °F IWB @ 1485 CFM				
OUTDOOR TEM. ° F.	TOTAL BTUH	SENSIBLE BTUH	LATENT BTUH	TOTAL WATTS
75	61,120	38,560	22,560	3,930
80	60,360	38,745	21,615	4,165
85	59,600	38,930	20,670	4,400
90	58,300	38,565	19,735	4,655
95	57,000	38,200	18,800	4,910
100	55,410	37,660	17,750	5,195
105	53,820	37,120	16,700	5,480
110	52,365	37,275	15,090	5,810
115	50,910	37,430	13,480	6,140
TVA Conditions @ 95° OD DB, 75° ID DB 63° ID WB				
95°	54,970	37,330	17,640	4,910

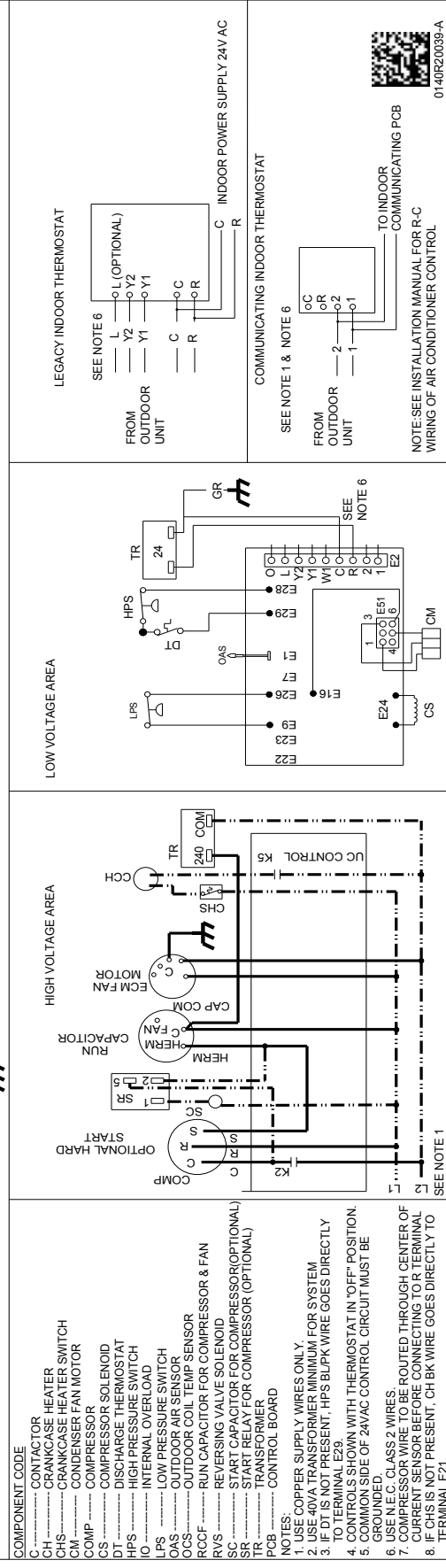


Wiring is subject to change. Always refer to the wiring diagram or the unit for the most up-to-date wiring.



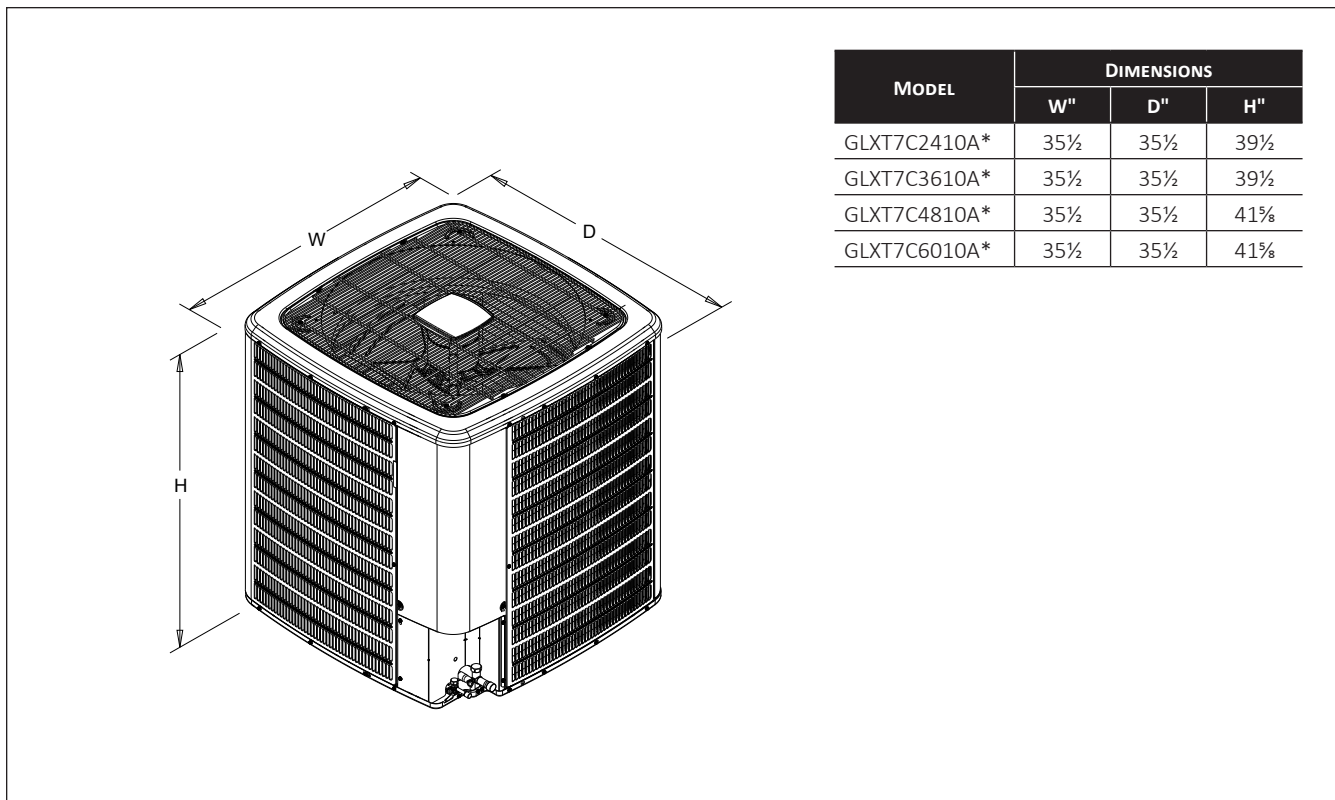
WARNING

High Voltage: Disconnect all power before servicing or installing this unit. Multiple power sources may be present. Failure to do so may cause property damage, personal injury, or death.



01-40R20039-A

DIMENSIONS



ACCESSORIES

MODEL	DESCRIPTION	GLXT7CA 2410A*	GLXT7CA 3610A*	GLXT7CA 4810A*	GLXT7CA 6010A*
ABK-20	Anchor Bracket Kit [^]	X	X	X	X
ASC-01	Anti-Short Cycle Kit	X	X	X	X
CSR-U-1	Hard-start Kit	X	X		
CSR-U-2	Hard-start Kit			X	
CSR-U-3	Hard-start Kit				X
Factory Installed Crank Case Heater				X	X
FSK01A ¹	Freeze Protection Kit	X	X	X	X
LSK02A ²	Liquid Line Solenoid Kit	X	X	X	X
OT18-60A	Outdoor Thermostat/Lockout Thermostat	X	X	X	X
TXV-FX-KX-2T	TXV Kit	X			
TXV-FX-KX-3T	TXV Kit		X		
TXV-FX-KX-5T	TXV Kit			X	X

[^] Contains 20 brackets; four brackets needed to anchor unit to pad

¹ Installed on indoor coil

² Condensing units and heat pumps with reciprocating or rotary compressors require the use of start-assist components when used in conjunction with an indoor coil using a non-bleed thermal expansion valve refrigerant metering device or liquid solenoid kit. The TXV should always be sized based on the tonnage of the outdoor unit.

All AHRI system ratings are accessible in the System Configurator tool via PartnerLink.

