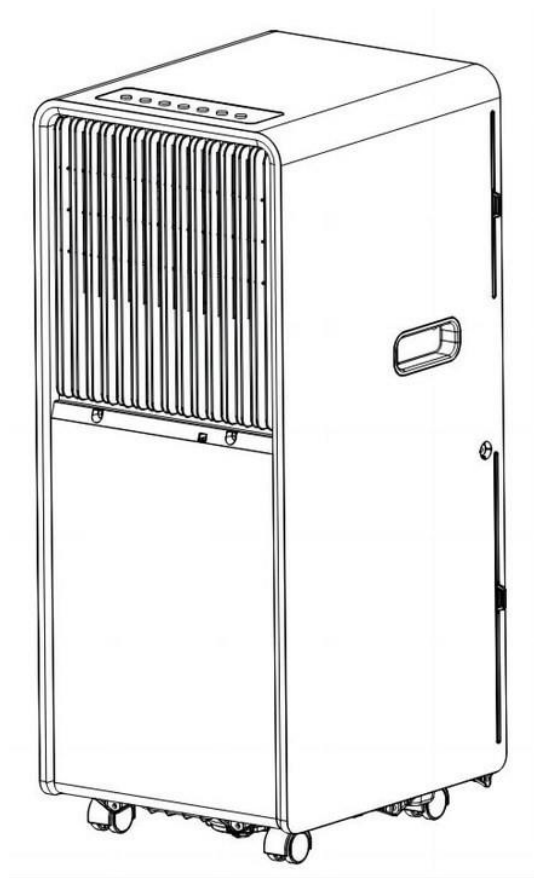


# Portable Air-conditioner User's Manual(R32)



## **For Models:**

ZCP08SB and ZCP10SB + Single Hose + WIFI

Please read this user's manual carefully to ensure proper use, maintenance and installation.

**Friedrich Air Conditioning, A Rheem company**  
10001 Reunion Place, Ste. 500 | San Antonio, TX 78216  
Technical Support 1-877-599-5665 | [www.friedrich.com](http://www.friedrich.com)

# Contents

1. Safety Awareness .....	3
2. Name of Parts.....	16
3. Accessories.....	17
4. Appearance and Function of Control Panel .....	18
5. Appearance and Function of Remote-Cont rol.....	19
6. Operation Introduction .....	20
7. Installation Explanations .....	25
8. Maintenance Explanations.....	29
9. Troubleshooting .....	30

# Safety Awareness



## VERY IMPORTANT!

Please do not install or use your portable air conditioner before you have carefully read this manual. Please keep this instruction manual for an eventual product warranty and for future reference.

### Warning

Do not use means to accelerate the defrosting process or to clean, other than those recommended by the manufacturer.

The appliance shall be stored in a room without continuously operating ignition sources (for example: open flames, an operating gas appliance or an operating electric heater. Do not pierce or burn.

Be aware the refrigerants may not contain an odor.

Appliances shall be installed, operated and stored in a room with a floor area of X ft<sup>2</sup>.

MODEL	Sq. Ft.
5000Btu/h DOE / 8000Btu/h ASHRAE	300 - 350
6000Btu/h DOE / 10000Btu/h ASHRAE	400 - 450

Servicing shall be performed only as recommended by the manufacturer.

The appliance shall be stored in a well-ventilated area where the room size corresponds to the room area as specified for operation.

All working procedures that affect safety means shall only be carried out by competent persons.

## Warning (for R32)



Specific information regarding appliances with R32 refrigerant gas. -Thoroughly read all the warnings.

- When defrosting and cleaning the appliance, do not use any tools other than those recommended by the manufacturing company.
- The appliance must be placed in an area without any continuous sources of ignition (for example: open flames, gas or electrical appliances in operation).
- Do not puncture and do not burn.
- This appliance contains Yg (see rating label back of unit) of R32 refrigerant gas.
- R32 is a refrigerant gas that complies with the United States directives on the environment. Do not puncture any part of the refrigerant circuit.
- If the appliance is installed, operated, or stored in an unventilated area, the room must be designed to prevent to the accumulation of refrigerant leaks resulting in a risk of fire or explosion due to ignition of the refrigerant caused by electric heaters, stoves or other sources of ignition.
- The appliance must be stored in such a way as to prevent mechanical failure.
- Individuals who operate or work on the refrigerant circuit must have an appropriate certification issued by a credited organization that ensures competence in handling refrigerants according to a specific evaluation recognized by associations in the industry.
- Repairs must be performed based on the recommendation from the manufacturing company. Maintenance and repairs that require the assistance of other qualified personnel must be performed under the supervision of an individual specified in the use of flammable refrigerants.
- Ducts connected to an appliance shall not contain a potential ignition source.

## General Safety Instruction

1. The appliance is for indoor use only.
2. Do not use the unit on a socket under repair or not installed properly.
3. Do not use the unit, follow these precautions:
  - A: Near to source of fire.
  - B: An area where oil is likely to splash.
  - C: An area exposed to direct sunlight.
  - D: An area where water is likely to splash.
  - E: Near a bath, a laundry, a shower or a swimming pool.
4. Never insert your fingers, rods into the air outlet. Take special care to warn children of these dangers.
5. Keep the unit upward while transporting and storing.
6. Before cleaning the air-conditioner, always turn off or disconnect the power supply.
7. When moving the air-conditioner, always turn off and disconnect the power supply, and move it slowly.
8. To avoid the possibility of fire disaster, the air-conditioner shall not be covered.
9. All the air-conditioner sockets must comply with the local electric safety requirements. If necessary, please check it for the requirements.
10. Children should be supervised to ensure that they do not play with the appliance.
11. If the supply cord is damaged, it must be replaced by the manufacturer, its service agent or similarly qualified persons to avoid a hazard.
12. This appliance is not intended for use by persons (including children) with reduced physical, sensory or mental capabilities, or lack of experience and knowledge, unless they have been given supervision or instruction concerning use of the appliance by person responsible for their safety.
13. This appliance can be used by children aged from 8 years and above and

persons with reduced physical, sensory or mental capabilities or lack of experience and knowledge if they have been given supervision or instruction concerning use of the appliance in a safe way and understand the hazards involved. Children shall not play with the appliance. Cleaning and user maintenance shall not be done by children without supervision.

14. The appliance shall be installed in accordance with national wiring regulations.

15. Details of type and rating of fuses: T,250V AC, 3.15A.

16. Recycling



This marking indicates that this product should not be disposed of with other household wastes throughout the EU. To prevent possible harm to the environment or human health from uncontrolled waste disposal, recycle it responsibly to promote the sustainable reuse of material resources. To return your used device, please use the return and collection systems or contact the retailer where the product was purchased. They can take this product for environmentally safe recycling.

17. Contact authorized service technician for repair or maintenance of this unit.

18. Do not pull, deform or modify the power supply cord or immerse it in water.

Misuse of the power supply cord can result in damage to the unit and cause electrical shock.

19. Compliance with national gas regulations shall be observed.

20. Keep ventilation openings clear of obstruction.

21. Any person who is involved with working on or breaking into a refrigerant circuit should hold a current valid certificate from an industry-credited assessment authority, which authorizes their competence to handle refrigerants safely in accordance with an industry recognized assessment specification.

22. Servicing shall only be performed as recommended by the equipment

manufacturer. Maintenance and repair requiring the assistance of other skilled personnel shall be carried out under the supervision of the person competent in the use of flammable refrigerants.

23. Do not operate or stop the unit by inserting or pulling out the power plug, it may cause electric shock or fire due to heat generation.

24. Unplug the unit if strange sounds, smell or smoke comes from it.



**Notes:**

- If any parts are damaged, please contact the dealer or a designated repair shop.
- In case of any damage, please turn off the air switch, disconnect the power supply, and contact the dealer or a designated repair shop.
- In any case, the power cord shall be firmly grounded.
- To avoid the possibility of danger, if the power cord is damaged, please turn off the air switch and disconnect the power supply. It must be replaced by the dealer or a designated repair shop.

**Network Module Features**

Item	Detailed description
Wireless technology	Wifi(WLAN)
Wireless operating frequency	2412MHz-2472MHz
BLE operating frequency	2402MHz-2480MHz
Modulation type	☒ 802.11b: DSSS ☒ 802.11g: OFDM ☒ 802.11n(20MHz): OFDM
Fixed frequency software	SecureCRT.exe
Antenna Gain	2.5dBi
Type of antenna	PCB
Transmit power	≤20dBm

Item	Detailed description
Wireless technology:	Bluetooth
Operating frequency	2402-2480MHz

Modulation type	GFSK
Fixed frequency software	SecureCRT.exe
Antenna Gain	2.5dBi
Type of antenna	PCB
Transmit power	≤20dBm



# INSTRUCTIONS FOR REPAIRING APPLIANCES CONTAINING R32

## 1 GENERAL INSTRUCTIONS

### 1.1 Checks to the area

Prior to beginning work on systems containing flammable refrigerants, safety checks are necessary to ensure that the risk of ignition is minimized. For repair to the refrigerating system, the following precautions shall be complied with prior to conducting work on the system.

### 1.2 Work procedure

Work shall be undertaken under a controlled procedure so as to minimize the risk of flammable gas or vapor being present while the work is being performed.

### 1.3 General work area

All maintenance staff and others working in the local area shall be instructed on the nature of work being carried out. Work in confined spaces shall be avoided. The area around the workspace shall be sectioned off. Ensure that the conditions within the area have been made safe by control of flammable material.

### 1.4 Checking for presence of refrigerant

The area shall be checked with an appropriate refrigerant detector prior to and during work, to ensure the technician is aware of potentially flammable atmospheres. Ensure that the leak detection equipment being used is suitable for use with flammable refrigerants, i.e. non-sparking, adequately sealed or intrinsically safe.

### 1.5 Presence of fire extinguisher

If any hot work is to be conducted on the refrigeration equipment or any associated parts, appropriate fire extinguishing equipment shall be available to hand. Have a dry powder or CO2 fire extinguisher adjacent to the charging area.

### 1.6 No ignition sources

No person carrying out work in relation to a refrigeration system which involves exposing any pipe work that contains or has contained flammable refrigerant shall use any sources of ignition in such a manner that it may lead to the risk of fire or explosion. All possible ignition sources, including cigarette smoking, should be kept sufficiently far away from the site of installation, repairing, removing and disposal, during which flammable refrigerant can possibly be released to the surrounding space.

Prior to work taking place, the area around the equipment is to be surveyed to make sure that there have no flammable hazards or ignition risks. "No Smoking" signs shall be displayed.

### 1.7 Ventilated area

Ensure that the area is in the open or that it is adequately ventilated before breaking into the system or conducting any hot work. A degree of ventilation shall continue during the period that the work is carried out. The ventilation should safely disperse any released refrigerant and preferably expel it externally into the atmosphere.

## **1.8 Checks to the refrigeration equipment**

Where electrical components are being changed, they shall be fit for the purpose and to the correct specification. At all times the manufacturer's maintenance and service guidelines shall be followed. If in doubt consult the manufacturer's technical department for assistance. The following checks shall be applied to installations using flammable refrigerants: the charge size is in accordance with the room size within which the refrigerant containing parts are installed; the ventilation machinery and outlets are operating adequately and are not obstructed; if an indirect refrigerating circuit is being used, the secondary circuit shall be checked for the presence of refrigerant; marking to the equipment continues to be visible and legible. Markings and signs that are illegible shall be corrected; refrigeration pipe or components are installed in a position where they are unlikely to be exposed to any substance which may corrode refrigerant containing components, unless the components are constructed of materials which are inherently resistant to being corroded or are suitably protected against being so corroded.

## **1.9 Checks to electrical devices**

Repair and maintenance of electrical components shall include initial safety checks and component inspection procedures. If a fault exists that could compromise safety, then no electrical supply shall be connected to the circuit until it is satisfactorily dealt with. If the fault cannot be corrected immediately but it is necessary to continue operation, an adequate temporary solution shall be used. This shall be reported to the owner of the equipment so all parties are advised.

Initial safety checks shall include that capacitors are discharged: this shall be done in a safe manner to avoid possibility of sparking; that there no live electrical components and wiring are exposed while charging, recovering or purging the system; that there is continuity of earth bonding.

## **2 REPAIRS TO SEALED COMPONENTS**

Sealed electrical components shall be replaced.

## **3 REPAIRS TO INTRINSICALLY SAFE COMPONENTS**

Intrinsically safe components must be replaced.

## **4 CABLING**

Check that cabling will not be subject to wear, corrosion, excessive pressure, vibration, sharp edges or any other adverse environmental effects. The check shall also take into account the effects of aging or continual vibration from sources such as compressors or fans.

## **5 DETECTIONS OF FLAMMABLE REFRIGERANTS**

Under no circumstances shall potentially sources of ignition be used in the searching for or detection of refrigerant leaks. A halide torch (or any other detector using a naked flame) shall not be used.

## **6 LEAK DETECTION METHODS**

The following leak detection methods are deemed acceptable for systems containing flammable refrigerants. Electronic leak detectors shall be used to detect flammable refrigerants, but the sensitivity may not be adequate, or may need re calibration. (Detection equipment shall be calibrated in a refrigerant-free area.) Ensure that the detector is not a potential source of ignition and is suitable for the refrigerant used. Leak detection equipment shall be set at a percentage of the LFL of the refrigerant and shall be calibrated to the refrigerant employed and the appropriate percentage of gas (25 %maximum) is confirmed.

Leak detection fluids are suitable for use with most refrigerants but the use of detergents containing chlorine shall be avoided as the chlorine may react with the refrigerant and corrode the copper pipework. If a leak is suspected, all naked flames shall be removed/extinguished. If a leakage of refrigerant is found which requires brazing, all of the refrigerants shall be recovered from the system, or isolated (by means of shut off valves) in a part of the system remote from the leak. Oxygen free nitrogen (OFN) shall then be purged through the system both before and during the brazing process.

## **7 REMOVAL AND EVACUATION**

When breaking into the refrigerant circuit to make repairs -or for any other purpose -conventional procedures shall be used. However, it is important that best practice is followed since flammability is a consideration. The following procedure shall be adhered to remove refrigerant; purge the circuit with inert gas; evacuate; purge again with inert gas; open the circuit by cutting or brazing. The refrigerant charge shall be recovered into the correct recovery cylinders. The system shall be "flushed" with OFN to render the unit safe. This process may need to be repeated several times. Compressed air or oxygen shall not be used for this task. Flushing shall be achieved by breaking the vacuum in the system with OFN and continuing to fill until the working pressure is achieved, then venting to atmosphere, and finally pulling down to a vacuum. This process shall be repeated until no refrigerant is within the system. When the final OFN charge is used, the system shall be vented down to atmospheric pressure to enable work to take place. This operation is absolutely vital if brazing operations on the pipework are to take place.

Ensure that the outlet for the vacuum pump is not close to any ignition sources and there is according to IEC 60079-15:2010.

Information about the correct working procedures:

### a) Commissioning

- Ensure that the floor area is sufficient for the refrigerant charge or that the ventilation duct is assembled in a correct manner.
- Connect the pipes and carry out a leak test before charging with refrigerant.
- Check safety equipment before putting it into service.

### b) Maintenance

- Portable equipment shall be repaired outside or in a workshop specially equipped for servicing units with flammable refrigerants.
- Ensure sufficient ventilation at the repair place.
- Be aware that malfunction of the equipment may be caused by refrigerant loss and a refrigerant leak is possible.
- Discharge capacitors in a way that won't cause any spark. The standard procedure to short circuit the capacitor terminals usually creates sparks.
- Reassemble sealed enclosures accurately. If seals are worn, replace them.  
-Check safety equipment before putting it into service.

### c) Repair

- Portable equipment shall be repaired outside or in a workshop specially equipped for servicing units with flammable refrigerants.
- Ensure sufficient ventilation at the repair place.
- Be aware that malfunction of the equipment may be caused by refrigerant loss and a refrigerant leak is possible.
- Discharge capacitors in a way that won't cause any spark.
- When brazing is required, the following procedures shall be carried out in the right

order:

- Remove the refrigerant. If the recovery is not required by national regulations, drain the refrigerant to the outside. Take care that the drained refrigerant will not cause any danger. In doubt, one person should guard the outlet. Take special care that drained refrigerant will not float back into the building.
- Evacuate the refrigerant circuit.
- Purge the refrigerant circuit with nitrogen for 5 min.
- Evacuate again.
- Remove parts to be replaced by cutting, not by flame.
- Purge the braze point with nitrogen during the brazing procedure. -  
Carry out a leak test before charging with refrigerant.
- Reassemble sealed enclosures accurately. If seals are worn, replace them.  
-Check safety equipment before putting it into service.

#### d) Decommissioning

- If safety is affected when the equipment is put out of service, the refrigerant charge shall be removed before decommissioning.
- Ensure sufficient ventilation at the equipment location.
- Be aware that malfunction of the equipment may be caused by refrigerant loss and a refrigerant leak is possible.
- Discharge capacitors in a way that won't cause any spark.
- Remove the refrigerant. If the recovery is not required by national regulations, drain ventilation is available.

## 8 CHARGING PROCEDURES

In addition to conventional charging procedures, the following requirements shall be followed.

- Ensure that contamination of different refrigerants does not occur when using charging equipment. Hoses or lines shall be as short as possible to minimize the amount of refrigerant contained in them.
- Cylinders shall be kept upright.
- Ensure that the refrigeration system is earthed prior to charging the system with refrigerant. -Label the system when charging is complete (if not already).
- Extreme care shall be taken not to overfill the refrigeration system.
- Prior to recharging the system, it shall be pressure tested with OFN. The system shall be leak tested on completion of charging but prior to commissioning. A follow up leak test shall be

carried out prior to leaving the site.

## 9 DECOMMISSIONING

Before carrying out this procedure, it is essential that the technician is completely familiar with the equipment and all its details. It is recommended good practice that all refrigerants are recovered safely. Prior to the task being carried out, an oil and refrigerant sample shall be taken in case analysis is required prior to re-use of reclaimed refrigerant. It is essential that electrical power is available before the task commences.

- a) Become familiar with the equipment and its operation.
- b) Isolate the system electrically.
- c) Before attempting the procedure ensure that: mechanical handling equipment is available, if required, for handling refrigerant cylinders; all personal protective equipment is available and being used correctly; the recovery process is supervised at all times by a competent person; recovery equipment and cylinders conform to the appropriate standards.

- d) Pump down refrigerant system, if possible.
- e) If a vacuum is not possible, make a manifold so that refrigerant can be removed from various parts of the system.
- f) Make sure that cylinder is situated on the scales before recovery takes place.
- g) Start the recovery machine and operate in accordance with manufacturer's instructions.
- h) Do not overfill cylinders. (No more than 80 %volume liquid charge).
- i) Do not exceed the maximum working pressure of the cylinder, even temporarily.
- j) When the cylinders have been filled correctly and the process completed, make sure that the cylinders and the equipment are removed from site promptly and all isolation valves on the equipment are closed off.
- k) Recovered refrigerant shall not be charged into another refrigeration system unless it has been cleaned and checked.

## **10 LABELLING**

Equipment shall be labelled stating that it has been decommissioned and emptied of refrigerant. The label shall be dated and signed.

Ensure that there are labels on the equipment stating the equipment contains flammable refrigerant.

## **11 RECOVERY**

When removing refrigerants from a system, either for servicing or decommissioning, it is recommended good practice that all refrigerants are removed safely. When transferring refrigerant into cylinders, ensure that only appropriate refrigerant recovery cylinders are employed. Ensure that the correct number of cylinders for holding the total system charge are available. All cylinders to be used are designated for the recovered refrigerant and labelled for that refrigerant (i.e. Special cylinders for the recovery of refrigerant). Cylinders shall be complete with pressure relief valve and associated shut-off valves in good working order. Empty recovery cylinders are evacuated and, if possible, cooled before recovery occurs.

The recovery equipment shall be in good working order with a set of instructions concerning the equipment that is at hand and shall be suitable for the recovery of flammable refrigerants. In addition, a set of calibrated weighing scales shall be available and in good working order.

Hoses shall be complete with leak-free disconnect couplings and in good condition. Before using the recovery machine, check that it is in satisfactory working order, has been properly maintained and that any associated electrical components are sealed to prevent ignition in the event of a refrigerant release. Consult manufacturer if in doubt.

The recovered refrigerant shall be returned to the refrigerant supplier in the correct recovery cylinder, and the relevant Waste Transfer Note arranged. Do not mix refrigerants in recovery units and especially not in cylinders.

If compressors or compressor oils are to be removed, ensure that they have been evacuated to an acceptable level to make certain that flammable refrigerant does not remain within the lubricant. The evacuation process shall be carried out prior to returning the compressor to the suppliers. Only electric heating to the compressor body shall be employed to accelerate this process. When oil is drained from a system, it shall be carried out safely.

## **Competence of service personnel**

### **General**

Special training additional to usual refrigerating equipment repair procedures is required when equipment with flammable refrigerants is affected.

In many countries, this training is carried out by national training organizations that are accredited to teach the relevant national competency standards that may be set in legislation.

The achieved competence should be documented by a certificate.

### **Training**

The training should include the substance of the following:

Information about the explosion potential of flammable refrigerants to show that flammables may be dangerous when handled without care.

Information about potential ignition sources, especially those that are not obvious, such as lighters, light switches, vacuum cleaners, electric heaters.

Information about the different safety concepts:

Unventilated-(see Clause GG.2) Safety of the appliance does not depend on ventilation of the housing. Switching off appliances or opening of housing has no significant effect on safety. Nevertheless, it is possible that leaking refrigerant may accumulate inside the enclosure and flammable atmosphere will be released when the enclosure is opened.

Ventilated enclosure-(see Clause GG.4) Safety of the appliance depends on ventilation of the housing. Switching off the appliance or opening of the enclosure has a significant effect on safety. Care should be taken to ensure sufficient ventilation before.

Ventilated room-(see Clause GG.5) Safety of the appliance depends on the ventilation of the room. Switching off appliances or opening of housing has no significant effect on safety. The ventilation of the room shall not be switched off during repair procedures.

Information about the concept of sealed components and sealed enclosures

the refrigerant to the outside. Take care that the drained refrigerant will not cause any danger. In doubt, one person should guard the outlet. Take special care that drained refrigerant will not float back into the building.

- Evacuate the refrigerant circuit.
- Purge the refrigerant circuit with nitrogen for 5 min.
- Evacuate again
- Fill with nitrogen up to atmospheric pressure
- Put a label on the equipment to ensure that the refrigerant is removed.
- e) Disposal
- Ensure sufficient ventilation at the working place.
- Remove the refrigerant. If the recovery is not required by national regulations, drain the refrigerant to the outside. Take care that the drained refrigerant will not cause any danger. In doubt, one person should guard the outlet. Take special care that drained refrigerant will not float back into the building.
- Evacuate the refrigerant circuit.
- Purge the refrigerant circuit with nitrogen for 5 min.
- Evacuate again
- Cut out the compressor and drain the oil.

### **Transportation, marking and storage for units that employ flammable refrigerants** **Transport of equipment containing flammable refrigerants**

Attention is drawn to the fact that additional transportation regulations may exist with respect to equipment containing flammable gas. The maximum number of pieces of equipment or the configuration of the equipment permitted to be transported together will be determined by the applicable transport regulations.

### **Marking of equipment using signs**

Signs for similar appliances used in a work area generally are addressed by local regulations and give the minimum requirements for the provision of safety and/or health signs for a work location.

All required signs are to be maintained, and employers should ensure that employees receive suitable and sufficient instruction and training on the meaning of appropriate safety signs and the actions that need to be taken in connection with these signs.

The effectiveness of signs should not be diminished by too many signs being placed together.

Any pictograms used should be as simple as possible and contain only essential details.

Disposal of equipment using flammable refrigerants

See national regulations.

### **Storage of equipment/appliances**

The storage of equipment should be in accordance with the manufacturer's instructions.

Storage of packed (unsold) equipment

Storage package protection should be constructed such that mechanical damage to the equipment inside the package will not cause a leak of the refrigerant charge.

The maximum number of pieces of equipment permitted to be stored together will be determined by local regulations.

## 2.Name of Parts

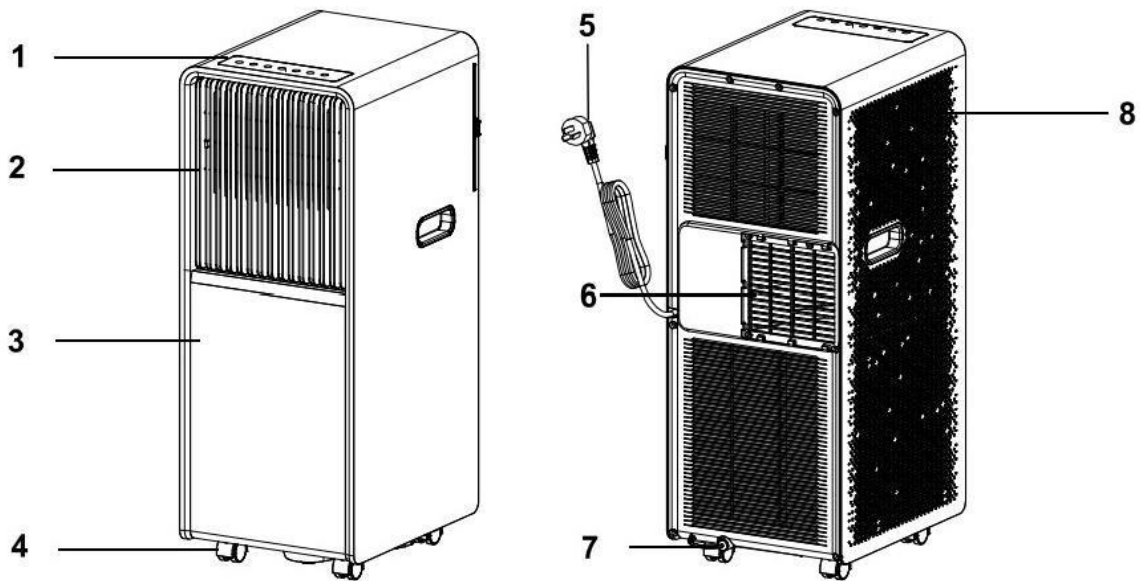




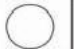





Fig.1

1	Control panel	5	Power cord
2	Louver	6	Air outlet
3	Front panel	7	Drainage outlet
4	Castor	8	Air inlet

## 3.Accessories

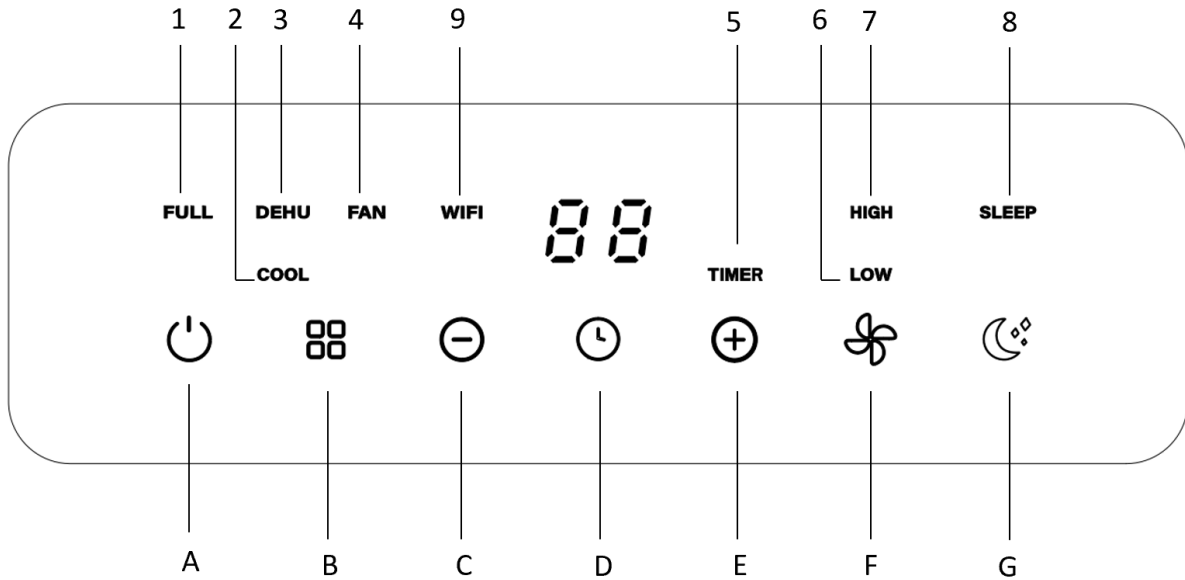


Part	Description	Quantity
	Exhaust hose	1
	Window Connector	1
	Housing adaptor	1
	Remote Controller LCD	1
	Window Kit	1 (optional)
		
	Air outlet	1 (optional)
	Water pipe	1 (optional)
	Batteries	2 (optional)

After unpacking, please check whether the above-mentioned accessories are included, and check their purposes in the installation introduction in this manual.

## 4. Appearance and Function of Control Panel

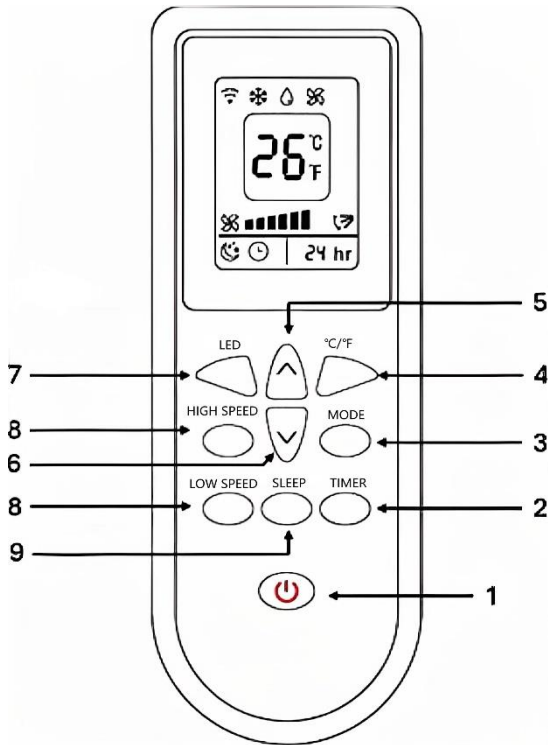
### Cooling +WIFI Model



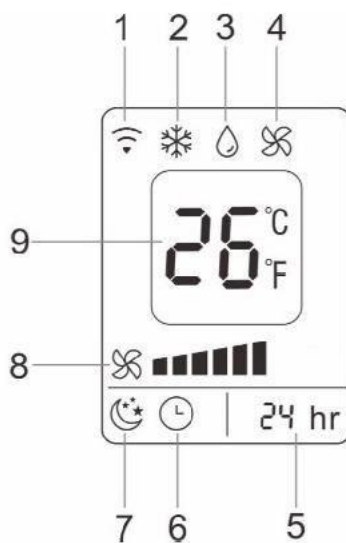
A	Power on/off	2	Cooling
B	Operation MODE	3	Dehumidifying
C	Timer/Temperature decreasing	4	Fan
D	Timer on/off	5	Timer
E	Timer/Temperature increasing	6	Low fan speed
F	Fan speed	7	High fan speed
G	Sleep mode	8	Sleep
1	Water full	9	WIFI

## 5.Appearance and Function of Remote Control

### Remote Control with LCD display for cooling only



1	Power on/off
2	Timer on/off
3	Operation MODE
4	°C/F selector
5	Temperature up
6	Temperature down
7	LED display
8	Fan speed
9	Sleep mode



1	Receiver signal
2	Cooling
3	Dehumidifying
4	Fan
5	Timing
6	Timer on/off
7	Sleep mode
8	Fan speed
9	Temperature display

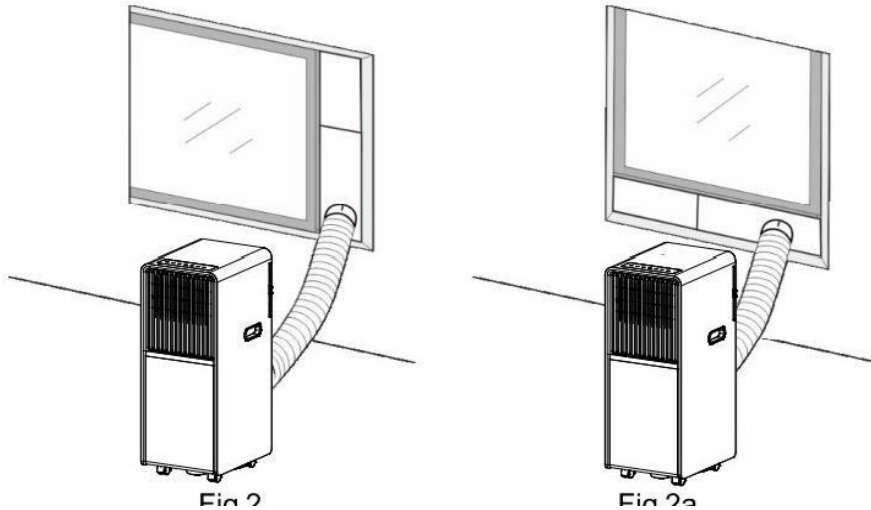
#### Notes:

- Do not drop the remote control.
- Do not place the remote controller in a location exposed to direct sunlight.

## 6.Operation Introduction

Before starting operations in this section:

- 1)Find a place where there is power supply nearby.
- 2)As shown in Fig.2 and Fig.2a, install the exhaust hose, and adjust the window position well



- 3)As shown in Fig.6, connect drain hose well (only for using heating model);
- 4)Insert the power cord into a grounded **AC115V/60Hz** socket;
- 5)Press the POWER button to turn on the air-conditioner.

### 1. Before using

**Notice:**

- **Operation temperature range:**

	Maximum cooling	Minimum cooling
DB/WB(F)	95/75	64/53

Check up whether the exhaust hose has been mounted properly.

Cautions for cooling and dehumidifying operations:

- When using functions on cooling and dehumidifying, keep an interval of at least 3 minutes between each POWER.
- Power supply meets the requirements. The socket is for AC use.
- Do not share one socket with other appliances. Power supply is **AC115V, 60Hz**

### 2. Cooling operation

Press the "Mode" button till the "Cool" icon appears.

Press the "▲" or "▼" button to select a desired room temperature. (61F-88F)

Press the "Fan Speed" button to select wind speed.

### **3. Dehumidifying operation**

Press the "Mode" button till the "Dehumidify" icon appears.

Automatically set the selected temperature to current room temperature minus 4F. (61F-88F)

Automatically set the fan motor to LOW wind speed.

### **4. Fan operation**

Press the "Mode" button till the "Fan" icon appears.

Press the "Fan Speed" button to select wind speed.

### **5. Timer operation**

#### **Timer ON setting:**

When the air-conditioner is OFF, press the "Timer" button and select desired ON time through the temperature and time setting buttons.

"Preset ON Time" is displayed on the operation panel. ON time can be regulated at any time in 0-24hours.

Press the "Timer" button again to confirm, Timer indicator turns on.

To deactivate the timer function, press "Timer" button until timer indicator turns off.

#### **Timer OFF setting**

When the air-conditioner ON, press "Timer" button and select a desired OFF time through the temperature and time setting buttons.

"Preset OFF Time" is displayed on the operation panel. OFF time can be regulated at any time in 0-24hours.

Press the "Timer" button again to confirm, Timer indicator turns on.

To deactivate the timer function, press "Timer" button until the timer indicator turns off.

## **6. SLEEP mode**

- While in cooling mode, press the SLEEP key to set the temperature. It increases 2F after an hour and at most increases 4F after 2 hours.
- While in heating mode, press the SLEEP key to set the temperature. It decreases 2F after an hour and at most decreases 4F after 2 hours.
- Press the SLEEP key again and can cancel the setting.

## **7. Water Drainage**

### **Water Full Alarm Function**

The inner water tray in the air-conditioner has one water level safety switch, it controls the water level. When the water level reaches an anticipated height, the water full indicator lights up. When the water is full, please remove the rubber blockage from the drainage hole at the bottom of unit and drain all water outside.

### **Continuous Drainage**

When you plan to leave this unit unused for a long time, please remove the rubber blockage from the drainage hole at the bottom of unit, and drain all water outside.

The continuous drainage is not need to be applied when the unit working at the COOL or DEHUMIDIFY mode. The unit can evaporate the condensate water automatically by the splash motor. Make sure the drainage holes are stemmed well.



If water splash motor is damaged, continuous drainage can be used. To connect the drain hose to the bottom drain hole (Fig.6), the unit can also work well.

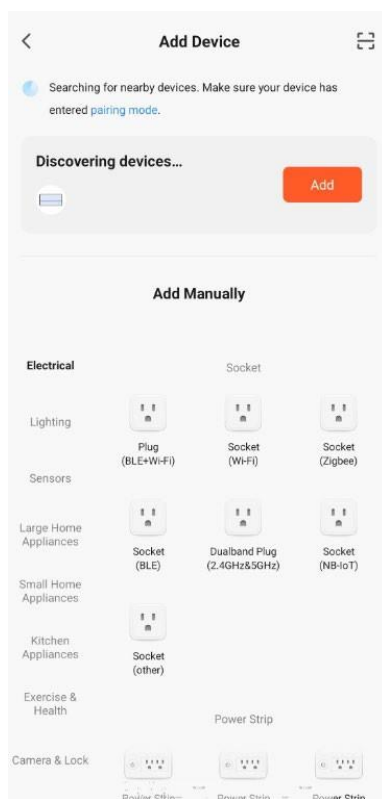
If splash motor is damaged, intermittent drainage can also be used. Under this condition, when the water full indicator lights up, please connect a drain hose to the bottom drainage hole, then all the water in the water tank will be drained outside. The unit can also work well.

## 8. WIFI function (for some models)

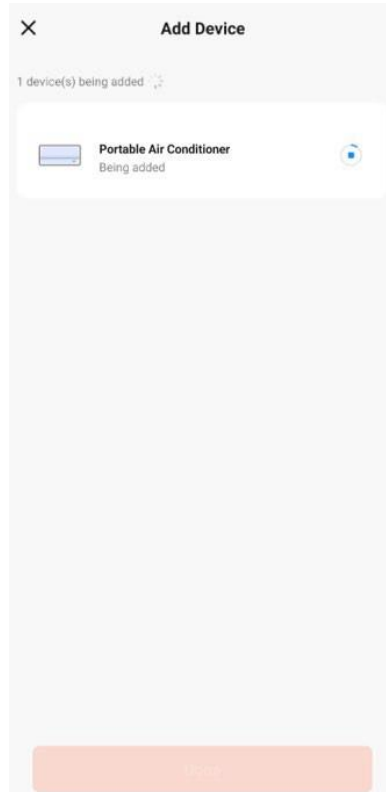
- Long press the SPEED button for 5s, enter the WIFI factory set up mode;
  - When the WIFI indicator flashing quickly, the unit is at the WIFI EZ mode, if flashing slowly, the unit is at the WIFI pairing APP mode;
  - For Wi-Fi and Bluetooth combo devices, turn on Bluetooth and location and allow the app to access your location. The Bluetooth permission is required too. Wi-Fi and Bluetooth combo devices can be automatically discovered. Or choose "Portable Air Conditioner" in the application. Then tap on "Wi-Fi Mode" on the top right and select "Bluetooth";
- 
- Download and Login to **ComfortPro APP**; Portable Air Conditioner will be found automatically; a pop up page will appear as below.






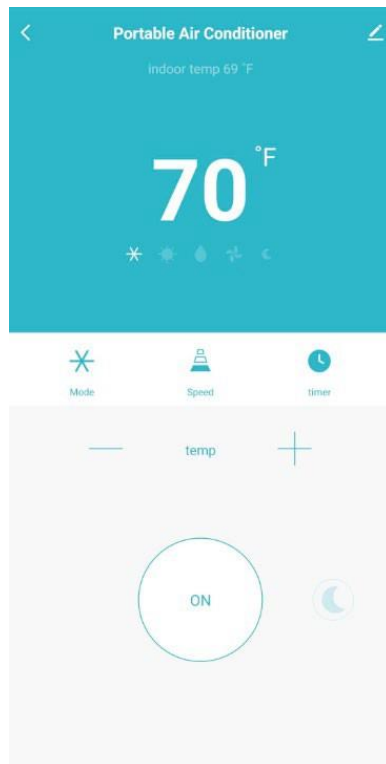
- If Portable Air Conditioner did not pop up automatically, click  in the upper right corner, and click .



- Enter the WiFi password and click Start to start pairing. If pairing fails, please repeat previous steps.



- User can select on the mobile APP
  - Step 1 – click  for Mode functions
  - Step 2 – click  for Speed levels
  - Step 3 – click  for Timer

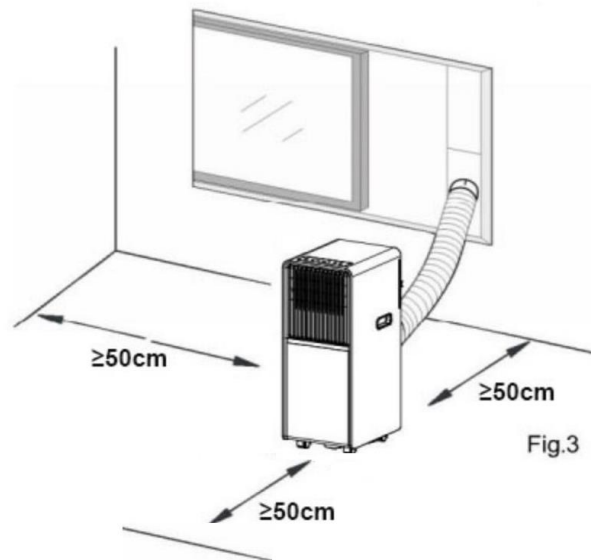




## 7. Installation Explanations

### 1. Installation Explanations:

- A removal air-conditioner shall be installed in the flat and empty place all around. Don't block the air outlet, and the required distance around should be at least 50cm. (See Fig.3)
- Should not be installed in wet location, such as the laundry room.
- Socket wiring should be in accordance with the local electric safety requirements.



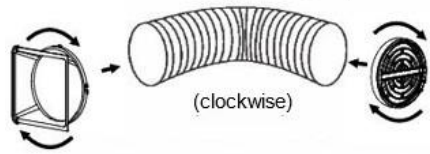
### 2. Introduction to Exhaust Hose Installation

#### A) Temporary installation

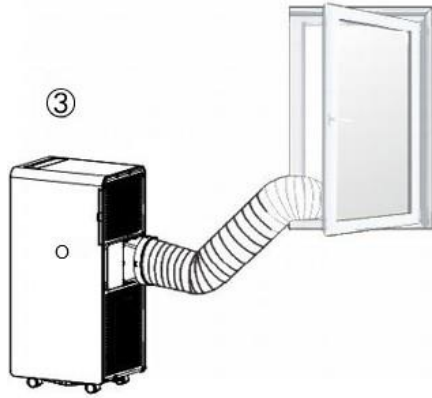
1. Twist the housing adaptor and the window Connector to the ends of the exhaust hose.
2. Insert the fixing clip of the housing adaptor into the openings at back of the air conditioner.

3. Put the other end of the exhaust hose to the near windowsill.

(see Fig.4). ①



③



②



## B) Window Kit Installation

The installation manner of window slider kit is mostly in "horizontal" or "vertical". As shown Fig.5 and Fig.5a, check the min. and max. size of the window before the installation.

1. Install the window kit on the window (Fig.5, Fig.5a);
2. Adjust the length of the window slider kit according to the window width or height, and fix it with the dowel;
3. Insert the window connector of the hose to the hole of the window kit (Fig.5b).

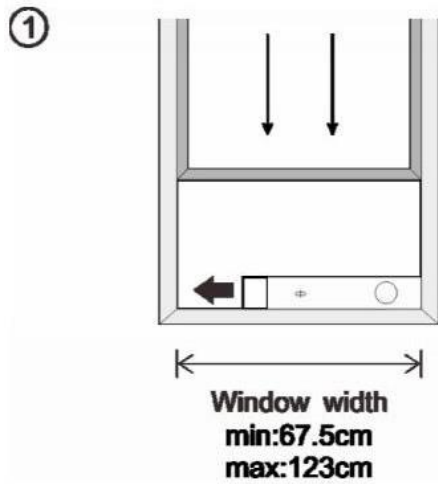


Fig.5

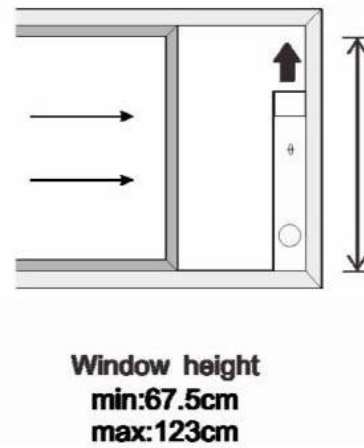


Fig.5a

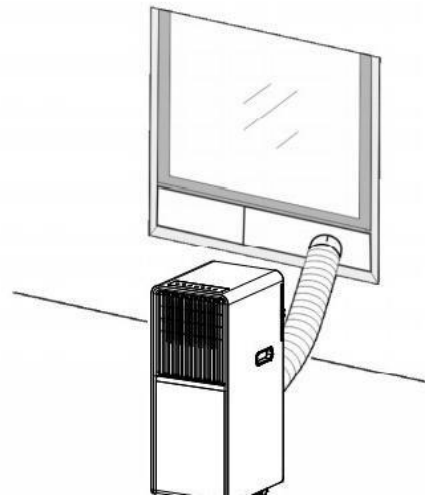
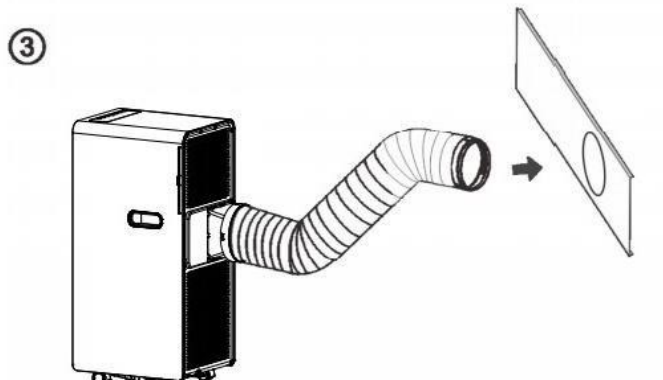
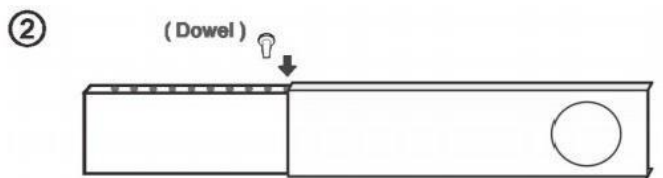


Fig.5b

### Water Full Alarm Function

The inner water tray in the air-conditioner has one water level safety switch, it controls water level. When water level reaches an anticipated height, the water full indicator lamp lights up. (If water splash motor is damaged, when the water is full, please remove the rubber blockage at the bottom of unit, and all water will drain outside.)

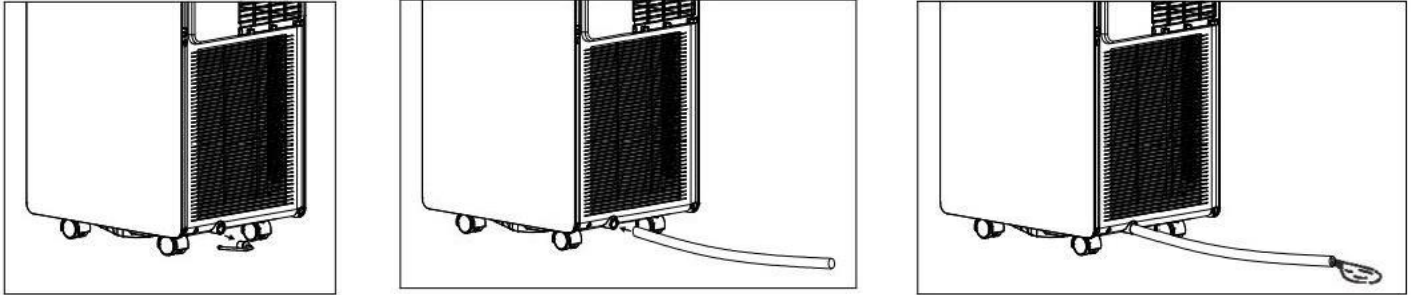
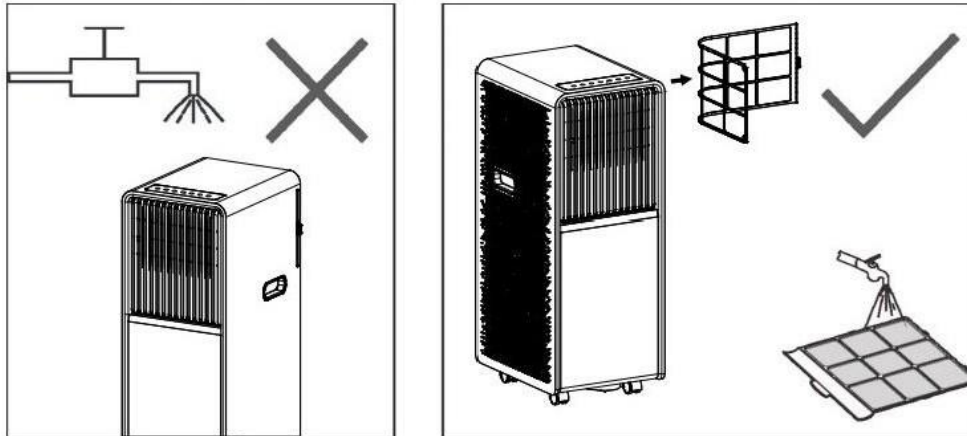


Fig.6

## 8.Maintenance Explanations

### Declaration:

- 1)Before cleaning, be sure to disconnect the unit from any electric supply outlet;
- 2)Do not use gasoline or other chemicals to clean the unit;
- 3)Do not wash the unit directly;
- 4)If the conditioner is damaged, please contact the dealer or repair shop.



### 1. Air Filter

- If the air filter becomes clogged with dust/dirt, the air filter should be cleaned once every two weeks.
- Dismounting  
Open the air inlet grille and take off air filter.
- Cleaning  
Clean the air filter with neutral detergent in lukewarm (104F) and dry it up in the shade.
- Mounting  
Putting the air filter into the inlet grille, replace the components as they were.

S

### 2. Clean the Air-conditioner Surface

First clean the surface with a neutral detergent and wet cloth, and then wipe it with a dry cloth.

## 9.Troubleshooting

Troubles	Possible Causes	Suggested Remedies
1.Unit does not start when pressing on/off button	-Water full indicator lamp blinks, and water tray is full.	Dump the water out of the water tray.
	-Room temperature is higher than the setting temperature. (Electric heating mode)	Reset the temperature
	-Room temperature is lower than the setting temperature.(Cooling mode)	Reset the temperature
2.Not cool enough	-The doors or windows are not closed.	Make sure all the windows and doors are closed.
	-There are heat sources inside the room.	Remove the heat sources if possible
	-Exhaust air hose is not connected or blocked.	Connect or clean the exhaust air hose.
	-Temperature setting is too high.	Reset the temperature
	-Air inlet is blocked.	Clean the air inlet
3.Noise	-The ground is not level or not flat enough	Place the unit on a flat, level ground if possible
	-The sound comes from the flowing of the refrigerant inside the air conditioner	It is normal.
4.E0 Code	Room temperature sensor failed	Replace room temperature sensor (the unit can also work without replacement.)
5.E1 Code	Condenser temperature sensor failed	Replace condenser temperature sensor
6.E2 Code	Water tray full when cooling	Take off rubber stopper and empty the water.
7.E3 Code	Evaporator temperature sensor failed	Replace evaporator temperature sensor
8.E4 Code	Water tray full when heating	Please empty the water tray.

**Note: The real products may look different.**



# FRIEDRICH

Friedrich Air Conditioning Company  
10001 Reunion Place, Suite 500  
San Antonio, TX 78216  
800.541.6645  
[www.friedrich.com](http://www.friedrich.com)

## PORTABLE AIR CONDITIONERS & DEHUMIDIFIERS LIMITED WARRANTY

**SAVE THIS CERTIFICATE.** It gives you specific rights. You may also have other rights which may vary from state to state and province to province.

In the event that your Friedrich equipment needs servicing, please contact your nearest authorized service center. If you do not know the nearest service center, ask the company that installed your unit or contact Friedrich (see address and telephone number above). To obtain service and/or warranty parts replacement, you must notify an authorized FRIEDRICH Air Conditioning Co. service center, distributor, dealer, or contractor of any defect within the applicable warranty period.

**When requesting service: the model, serial number, and proof of purchase of your equipment are required and must be readily available.**

**LIMITED WARRANTY – ALL PARTS & LABOR. FIRST YEAR (12 months).** This warranty shall commence on the day of purchase. Any part that is found to be defective in factory-supplied material or workmanship will be replaced or exchanged at the discretion of Friedrich provided the equipment is delivered to a authorized service center.

**These warranties apply only while the unit remains at the original site and only to units installed inside the continental United States, Alaska, Hawaii, Puerto Rico, Mexico and Canada. The warranty applies only if the unit is installed and operated in accordance with the printed instructions and in compliance with applicable local installation and building codes and good trade practices to the end-user purchaser. For international warranty information, contact the Friedrich Air Conditioning Company - International Division. This warranty is not applicable to units on which the model and serial numbers have been removed.**

Any defective unit or part to be replaced must be made available to FRIEDRICH in exchange for the replacement part. Replacement units and/or replacement parts can be new or re-manufactured. Replacement parts shall be warranted for any unused portion of the original unit's warranty.

**APPLICABILITY AND LIMITATIONS** - Friedrich will not be responsible for and the user will pay for:

1. Service calls to: A) Instruct on unit operation. B) Replace batteries, house fuses, or correct house wiring. C) Clean or replace air filters. D) Remove the unit from its installed location when not accessible for service required. E) Correct improper installations.
2. Parts provided by anyone other than an authorized servicer.
3. Damage caused by: A) Accident, abuse, negligence, misuse, riot, fire, flood or acts of God. B) Operating the unit where there is a corrosive atmosphere containing chlorine, fluorine, or any damaging chemicals (other than in a normal residential environment). C) Unauthorized alteration or repair of the unit, which in turn affects its stability or performance. D) Failing to provide proper maintenance and service. E) Using an incorrect power source. F) Faulty installation or application of the unit. G) Operation of the unit during construction.
4. Cost to diagnose the system, removal of the system, freight charges, re-installation charges associated with the repair, or transportation to and from service agency
5. Any additional labor cost for removing inaccessible units

**Friedrich shall not be liable for any incidental, consequential, or special damages or expenses in connection with any use or failure of this unit. Friedrich has not made and does not make any representation or warranty of fitness for a particular use or purpose and there is no implied condition of fitness for a particular use or purpose. Friedrich makes no expressed warranties except as stated in this certification. Friedrich does not authorize any changes to this certificate or to create for Friedrich any other obligation or liability in connection with this unit. Any implied warranties shall last for one year after the original purchase date.** Some states and provinces do not allow limitations on how long an implied warranty or condition lasts, so the above limitation or exclusions may not apply to you. The provisions of this warranty are in addition to and not a modification of or subtraction from the statutory warranties and other rights and remedies provided by law. The most up to date warranty certificates can be found on our website at [www.friedrich.com](http://www.friedrich.com).

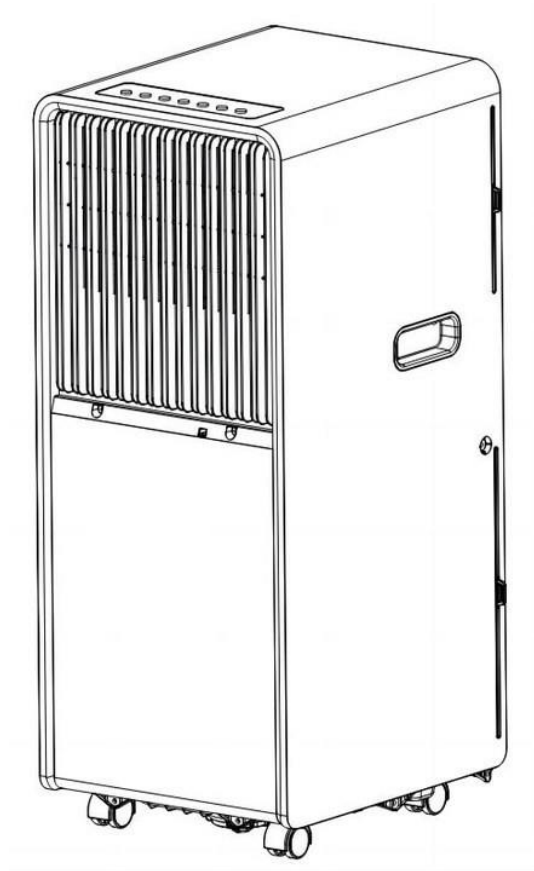
**Performance of Friedrich's Warranty obligation is limited to one of the following methods:**

1. A refund to the customer for the prorated value of the unit based upon the remaining warranty period of the unit as calculated by Friedrich Air Conditioning.
2. Providing a replacement unit of equal or lesser value. The replacement unit will adopt the original unit's remaining warranty and shall be covered for the remaining duration as specified above.

Registration is strongly suggested. As described, the Limited Term Warranty coverage is available to owners who have not registered. To register, please visit [www.friedrich.com](http://www.friedrich.com) and select "Product Registration" under our consumer menu selection. California, Florida, and Quebec, Canada residents are not required to register to receive full warranty coverage. Original proof of purchase is required to submit a warranty claim.

**The method of fulfillment of the warranty obligation is at the sole discretion of Friedrich Air Conditioning. In case of any questions regarding the provisions of this warranty, the English version will govern.**

# Manual del Usuario del Aire Acondicionado Portátil (R32)



**Para el modelo:**

ZCP08SB and ZCP10SB + Manguera única + WIFI

Lea atentamente este manual del usuario para garantizar un uso, mantenimiento e instalación adecuados.

**Friedrich Aire acondicionado, una empresa de Rheem**  
10001 Reunion Place, Ste. 500 | San Antonio, Texas 78216  
Soporte técnico 1-877-599-5665 | [www.friedrich.com](http://www.friedrich.com)



## Contenido

1. Precauciones de seguridad .....	3
2. Nomenclatura de las piezas .....	17
3. Accesorios .....	18
4. Apariencia y función del panel de control .....	19
5. Apariencia y función del control remoto .....	20
6. Introducción a la operación .....	21
7. Instalación.....	27
8. Mantenimiento .....	30
9. Solución de problemas.....	31

## 1. Precauciones de seguridad



### ¡MUY IMPORTANTE!

Por favor, no instale ni use su aire acondicionado portátil antes de haber leído detenidamente este manual. Conserve este manual de instrucciones para una posible garantía del producto y para futuras referencias.

### ADVERTENCIA

- No utilice métodos para acelerar el proceso de descongelación o para limpiar, que no sean los recomendados por el fabricante.
- El aparato debe almacenarse en una habitación sin fuentes de ignición que estén funcionando continuamente (por ejemplo: llamas abiertas, un aparato de gas en funcionamiento o un calentador eléctrico en funcionamiento).
- No perforo ni queme.
- Tenga en cuenta que los refrigerantes pueden no tener olor.
- El aparato deberá instalarse, operarse y almacenarse en una habitación con una superficie de X ft<sup>2</sup>.

MODELO	ft <sup>2</sup>
5000Btu/h DOE / 8000Btu/h ASHRAE	300 - 350
6000Btu/h DOE / 10000Btu/h ASHRAE	400 - 450

- El servicio de mantenimiento deberá realizarse solo según lo recomendado por el fabricante.
- El aparato deberá almacenarse en un área bien ventilada, donde el tamaño de la habitación corresponda al área especificada para su funcionamiento.
- Todos los procedimientos de trabajo que afecten los sistemas de seguridad deberán ser realizados únicamente por personal competente.

## Advertencia (para R32)



### Información específica para aparatos con gas refrigerante R32

Lea detenidamente todas las advertencias.

- Al descongelar y limpiar el aparato, no utilice ninguna herramienta que no sea la recomendada por la empresa fabricante.
- El aparato debe colocarse en un área sin fuentes continuas de ignición (por ejemplo: llamas abiertas, aparatos de gas o eléctricos en funcionamiento).
- No perfore ni queme.
- Este aparato contiene Y g (ver la etiqueta de clasificación en la parte trasera de la unidad) de gas refrigerante R32.
- El R32 es un gas refrigerante que cumple con los lineamientos Estados Unidos sobre el medio ambiente. No perfore ninguna parte del circuito refrigerante.
- Si el aparato se instala, opera o almacena en un área no ventilada, la habitación debe estar diseñada para evitar la acumulación de fugas de refrigerante que puedan generar un riesgo de incendio o explosión debido a la ignición del refrigerante provocada por calentadores eléctricos, estufas u otras fuentes de combustión.
- El aparato debe almacenarse de manera que se evite una falla mecánica.
- Las personas que operen o trabajen en el circuito de refrigerante deben tener la certificación adecuada emitida por una organización acreditada que asegure la competencia en el manejo de refrigerantes de acuerdo con una evaluación específica reconocida por asociaciones de la industria.
- Las reparaciones deben realizarse según las recomendaciones de la empresa fabricante. El mantenimiento y las reparaciones que requieran la asistencia de otro personal calificado deben realizarse bajo la supervisión de una persona especificada en el uso de refrigerantes inflamables.
- Los conductos conectados a un aparato no deben contener una fuente potencial de ignición.

## Instrucciones generales de seguridad

1. El aparato es solo para uso en interiores.
2. No utilice la unidad en un enchufe que esté en reparación o que no esté instalado correctamente.
3. No use la unidad, siga estas precauciones:
  - A: Cerca de una fuente de fuego.
  - B: En un área donde es probable que salpique aceite.
  - C: En un área expuesta a la luz solar directa.
  - D: En un área donde es probable que salpique agua.
  - E: Cerca de una bañera, lavandería, ducha o piscina.
4. Nunca inserte los dedos ni objetos en la salida de aire. Tenga especial cuidado en advertir a los niños sobre estos peligros.
5. Mantenga la unidad en posición vertical durante el transporte y almacenamiento, para que el compresor se mantenga correctamente.
6. Antes de limpiar el aire acondicionado, siempre apague o desconecte el suministro de energía.
7. Al mover el aire acondicionado, siempre apague y desconecte el suministro de energía y muévalo lentamente.
8. Para evitar la posibilidad de un incendio, el aire acondicionado no debe cubrirse.
9. Todos los enchufes del aire acondicionado deben cumplir con los requisitos locales de seguridad eléctrica. Si es necesario, verifique los requisitos.
10. Los niños deben ser supervisados para asegurarse de que no jueguen con el aparato.
11. Si el cable de alimentación está dañado, debe ser reemplazado por el fabricante, su agente de servicio o personas calificadas similares para evitar peligros.
12. Este aparato puede ser utilizado por niños a partir de 8 años y personas con capacidades físicas, sensoriales o mentales reducidas, o con falta de experiencia y conocimientos, si se les ha dado supervisión o instrucción sobre el uso del aparato de manera segura y comprenden los peligros involucrados. Los niños no deben jugar con el aparato. La limpieza y el mantenimiento no deben ser realizados por niños sin supervisión.
13. Cet appareil n'est pas destiné à être utilisé par des personnes (y compris des enfants) dont les capacités physiques, sensorielles ou mentales sont réduites, ou qui manquent d'expérience et de connaissances, à moins qu'elles n'aient pu bénéficier d'une surveillance ou d'instructions concernant l'utilisation de l'appareil de la part d'une personne responsable de leur sécurité.
14. El aparato debe instalarse de acuerdo con las normativas nacionales de cableado.
15. Detalles del tipo y clasificación de los fusibles: fuses: T,250V AC, 3.15A.
16. Reciclaje



Este símbolo indica que este producto no debe desecharse con otros residuos domésticos en toda la UE. Para evitar posibles daños al medio ambiente o la salud humana debido a la eliminación incontrolada de desechos, recíclelo de manera responsable para promover la reutilización sostenible de los recursos materiales. Para devolver su dispositivo usado, utilice los sistemas de devolución y recogida o contacte al minorista donde se compró el producto. Ellos pueden llevar este producto para un reciclaje seguro para el medio ambiente.

17. Contacte a un técnico de servicio autorizado para la reparación o el mantenimiento de esta unidad.
18. No tire, deforme ni modifique el cable de corriente ni lo sumerja en agua. Tirar o mal usar el cable de alimentación puede dañar la unidad y causar una descarga eléctrica.
19. Cumpla con las normativas nacionales sobre gases.
20. Mantenga las aberturas de ventilación libres de obstrucciones.
21. Cualquier persona que trabaje o intervenga en un circuito de refrigerante debe tener un certificado válido emitido por una autoridad acreditada que asegure su competencia para manejar refrigerantes de manera segura, de acuerdo con una evaluación reconocida por la industria.
22. El mantenimiento debe realizarse solo según lo recomendado por el fabricante del equipo. El mantenimiento y las reparaciones que requieran la asistencia de personal capacitado deben realizarse bajo la supervisión de una persona competente en el uso de refrigerantes inflamables.
23. No opere ni detenga la unidad insertando o sacando el enchufe de alimentación, ya que podría causar una descarga eléctrica o incendio debido a la generación de calor.
24. Desenchufe la unidad si escucha ruidos extraños, percibe olores o ve humo proveniente de ella.



#### NOTAS:

- Si alguna pieza está dañada, comuníquese con el distribuidor o con un taller de reparación designado.
- En caso de cualquier daño, apague el interruptor de aire, desconecte el suministro de energía y comuníquese con el distribuidor o un taller de reparación designado.
- En cualquier caso, el cable de alimentación deberá estar firmemente conectado a tierra.
- Para evitar la posibilidad de peligro, si el cable de alimentación está dañado, apague el interruptor de aire y desconecte el suministro de energía. Debe ser reemplazado por el distribuidor o un taller de reparación designado.

## Características del módulo de red

Item	Descripción
Tecnología inalámbrica:	Wifi(WLAN)
Frecuencia de funcionamiento inalámbrico	2412MHz-2472MHz
Frecuencia de funcionamiento BLE	2402MHz-2480MHz
Tipo de modulación	☒ 802 . 11b: DSss ☒ 802 . 11g: OFDM ☒ 802 . 11n( 20 MHz): OFDM
Software de frecuencia fija	SecureCRT.exe
Ganancia de antena	2.5dBi
Tipo de antena	PCB
Potencia de transmisión	≤20dBm

Item	Descripción
Tecnología inalámbrica	Bluetooth
Frecuencia de operación	2402-2480MHz
Tipo de modulación	GFSK
Software de frecuencia fija	SecureCRT.exe
Ganancia de antena	2.5dBi
Tipo de antena	PCB
Potencia de transmisión	≤20dBm

## 1 INSTRUCCIONES GENERALES

### 1.1 Verificaciones del área

Antes de comenzar a trabajar en sistemas que contengan refrigerantes inflamables, es necesario realizar verificaciones de seguridad para garantizar que se minimice el riesgo de ignición. Para reparar el sistema de refrigeración, deben cumplirse las siguientes precauciones antes de realizar cualquier trabajo en el sistema.

### 1.2 Procedimiento de trabajo

El trabajo debe llevarse a cabo bajo un procedimiento controlado para minimizar el riesgo de que haya gas o vapor inflamable presente mientras se realiza el trabajo.

### 1.3 Área de trabajo general

Todo el personal de mantenimiento y demás trabajadores en el área local deben ser instruidos sobre la naturaleza del trabajo que se está llevando a cabo. Se debe evitar trabajar en espacios confinados. El área alrededor del lugar de trabajo debe estar delimitada. Asegúrese de que las condiciones dentro del área sean seguras mediante el control de materiales inflamables.

### 1.4 Verificación de la presencia de refrigerante

El área debe ser revisada con un detector de refrigerante adecuado antes y durante el trabajo, para garantizar que el técnico esté al tanto de atmósferas potencialmente inflamables. Asegúrese de que el equipo de detección de fugas utilizado sea apto para su uso con refrigerantes inflamables, es decir, que no produzca chispas, que esté adecuadamente sellado o que sea intrínsecamente seguro.

### 1.5 Presencia de extintor de incendios

Si se va a realizar algún trabajo caliente en el equipo de refrigeración o en cualquier parte asociada, debe tenerse a mano el equipo adecuado para extinguir incendios. Tenga un extintor de polvo seco o de CO<sub>2</sub> cerca del área de carga.

### 1.6 Ausencia de fuentes de ignición

Ninguna persona que realice trabajos relacionados con un sistema de refrigeración que implique exponer tuberías que contengan o hayan contenido refrigerante inflamable debe usar fuentes de ignición de manera que puedan provocar un riesgo de incendio o explosión. Todas las posibles fuentes de ignición, incluido el cigarrillo, deben mantenerse a una distancia suficiente del lugar de instalación, reparación, extracción y eliminación, durante los cuales el refrigerante inflamable podría liberarse al espacio circundante. Antes de que se inicie el trabajo, el área alrededor del equipo debe ser inspeccionada para asegurarse de que no existan peligros inflamables o riesgos de ignición. Deben colocarse señales de "Prohibido fumar".

### 1.7 Área ventilada

Asegúrese de que el área esté al aire libre o adecuadamente ventilada antes de intervenir en el sistema o realizar cualquier trabajo caliente. La ventilación debe mantenerse durante el tiempo que se lleve a cabo el trabajo. La ventilación debe dispersar de manera segura cualquier refrigerante liberado, preferentemente expulsándolo al exterior hacia la atmósfera.

### **1.8 Verificaciones del equipo de refrigeración**

Cuando se cambien componentes eléctricos, estos deben ser adecuados para su propósito y cumplir con las especificaciones correctas. En todo momento se deben seguir las pautas de mantenimiento y servicio del fabricante. En caso de duda, consulte al departamento técnico del fabricante para obtener asistencia. Las siguientes verificaciones deben aplicarse a las instalaciones que utilicen refrigerantes inflamables:

- El tamaño de la carga de refrigerante debe estar de acuerdo con el tamaño de la habitación donde se instalen las partes que contienen refrigerante.
- Los equipos de ventilación y salidas de aire deben estar funcionando adecuadamente y no estar obstruidos.
- Si se está utilizando un circuito de refrigeración indirecto, el circuito secundario debe verificarse para detectar la presencia de refrigerante.
- Las marcas en el equipo deben ser visibles y legibles. Las marcas y señales que no se puedan leer deben corregirse.
- Las tuberías de refrigeración o los componentes deben estar instalados en una posición donde no estén expuestos a ninguna sustancia que pueda corroer las partes que contienen refrigerante, a menos que los componentes estén fabricados con materiales resistentes a la corrosión o estén adecuadamente protegidos contra ella.

### **1.9 Verificaciones de dispositivos eléctricos**

La reparación y el mantenimiento de los componentes eléctricos deben incluir verificaciones iniciales de seguridad y procedimientos de inspección de los componentes. Si existe una falla que pueda comprometer la seguridad, no se debe conectar ningún suministro de energía al circuito hasta que se resuelva satisfactoriamente. Si la falla no puede corregirse de inmediato, pero es necesario continuar con la operación, se debe utilizar una solución temporal adecuada.

Esto debe informarse al propietario del equipo para que todas las partes estén al tanto. Las verificaciones de seguridad iniciales deben incluir la descarga de los condensadores de manera segura para evitar la posibilidad de chispas; asegurarse de que no haya componentes o cables eléctricos expuestos durante la carga, recuperación o purga del sistema; y verificar que haya continuidad en la conexión a tierra.

## **2. REPARACIONES DE COMPONENTES SELLADOS**

Les composants électriques scellés sont remplacés.

## **3 REPARACIONES DE COMPONENTES INTRÍNSECAMENTE SEGUROS**



Les composants à sécurité intrinsèque doivent être remplacés.

## **4 CABLEADO**

Verifique que el cableado no esté expuesto a desgaste, corrosión, presión excesiva, vibraciones, bordes afilados u otros efectos ambientales adversos. La inspección también debe considerar los efectos del envejecimiento o la vibración continua de fuentes como compresores o ventiladores.

## **5 DETECCIÓN DE REFRIGERANTES INFLAMABLES**

Bajo ninguna circunstancia deben usarse posibles fuentes de ignición para buscar o detectar fugas de refrigerante. No se debe utilizar una antorcha de haluro (u otro detector que use una llama abierta).

## **6 MÉTODOS DE DETECCIÓN DE FUGAS**

Los siguientes métodos de detección de fugas son aceptables para sistemas que contienen refrigerantes inflamables:

- Se deben usar detectores electrónicos de fugas para detectar refrigerantes inflamables, pero la sensibilidad puede no ser adecuada o puede requerir recalibración. (El equipo de detección debe calibrarse en un área libre de refrigerante).

- Asegúrese de que el detector no sea una fuente potencial de ignición y sea adecuado para el refrigerante utilizado. El equipo de detección de fugas debe configurarse en un porcentaje del Límite Inferior de Inflamabilidad (LFL) del refrigerante y calibrarse con el refrigerante empleado, confirmando el porcentaje apropiado de gas (máximo 25%).

Los fluidos de detección de fugas son adecuados para su uso con la mayoría de los refrigerantes, pero debe evitarse el uso de detergentes que contengan cloro, ya que el cloro puede reaccionar con el refrigerante y corroer las tuberías de cobre.

**NOTA:** Ejemplos de fluidos de detección de fugas son:

- Método de burbujas,
- Agentes fluorescentes.

Si se sospecha de una fuga, todas las llamas abiertas deben ser removidas o extinguidas. Si se detecta una fuga de refrigerante que requiera soldadura, se deberá recuperar todo el refrigerante del sistema o aislarlo (mediante válvulas de cierre) en una parte del sistema alejada de la fuga. La eliminación del refrigerante debe hacerse según lo especificado en el apartado.

## 7 ELIMINACIÓN Y EVACUACIÓN

Al intervenir en el circuito de refrigerante para realizar reparaciones, o por cualquier otro motivo, se deben seguir los procedimientos convencionales. Sin embargo, para refrigerantes inflamables, es importante seguir las mejores prácticas, ya que la inflamabilidad es un factor para considerar. Se debe seguir el siguiente procedimiento:

- a) Retire el refrigerante de manera segura de acuerdo con las normativas locales y nacionales.
- b) Purgue el circuito con gas inerte.
- e) Abra el circuito cortando o soldando.

La carga de refrigerante debe recuperarse en los cilindros de recuperación adecuados. El sistema debe 'fluirse' con nitrógeno libre de oxígeno (OFN) para garantizar la seguridad de la unidad. Es posible que este proceso deba repetirse varias veces. No se debe utilizar aire comprimido ni oxígeno para esta tarea. El flujo se realizará rompiendo el vacío del sistema con OFN y continuando con el llenado hasta alcanzar la presión de trabajo, luego ventilando hacia la atmósfera y, finalmente, bajando a vacío. Este proceso se repetirá hasta que no quede refrigerante en el sistema. Cuando se realice la última carga de OFN, el sistema se ventilará a presión atmosférica para permitir las operaciones necesarias. **Esta operación es absolutamente vital si se van a realizar trabajos de soldadura en las tuberías.**

Asegúrese de que la salida de la bomba de vacío no esté cerca de fuentes de ignición y cumpla con la norma IEC 60079-15:2010

Información sobre los procedimientos de trabajo correctos:

### a) Puesta en marcha

- Asegúrese de que el área del suelo sea suficiente para la carga de refrigerante o que el conducto de ventilación esté ensamblado de manera correcta.

- Conecte las tuberías y realice una prueba de fugas antes de cargar con refrigerante.
- Verifique el equipo de seguridad antes de poner en servicio.

#### **b) Mantenimiento**

- Los equipos portátiles deben ser reparados en el exterior o en un taller especialmente equipado para el mantenimiento de unidades con refrigerantes inflamables.
- Asegúrese de que haya suficiente ventilación en el lugar de reparación.
- Tenga en cuenta que el mal funcionamiento del equipo puede deberse a la pérdida de refrigerante y es posible que haya una fuga de refrigerante.
- Descargue los condensadores de manera que no se produzcan chispas. El procedimiento estándar de cortocircuitar los terminales del condensador generalmente crea chispas.
- Vuelva a ensamblar los recintos sellados con precisión. Si los sellos están desgastados, reemplácelos.
- Verifique el equipo de seguridad antes de poner en servicio.

#### **c) Reparación**

- Los equipos portátiles deben ser reparados en el exterior o en un taller especialmente equipado para el mantenimiento de unidades con refrigerantes inflamables.
- Asegúrese de que haya suficiente ventilación en el lugar de reparación.
- Tenga en cuenta que el mal funcionamiento del equipo puede deberse a la pérdida de refrigerante y es posible que haya una fuga de refrigerante.
- Descargue los condensadores de manera que no se produzcan chispas.
- Cuando se requiera soldadura, los siguientes procedimientos deben realizarse en el siguiente orden:
  1. Retire el refrigerante. Si no se requiere recuperación de acuerdo con las regulaciones nacionales, drene el refrigerante hacia el exterior. Asegúrese de que el refrigerante drenado no represente ningún peligro. En caso de duda, una persona debería vigilar la salida. Tenga especial cuidado de que el refrigerante drenado no regrese al interior del edificio.
  2. Evacúe el circuito de refrigerante.
  3. Purgue el circuito de refrigerante con nitrógeno durante 5 minutos.
  4. Evacúe nuevamente.
  5. Retire las piezas que deben reemplazarse cortándolas, no con llama.
  6. Purgue el punto de soldadura con nitrógeno durante el procedimiento de soldadura.
  7. Realice una prueba de fugas antes de cargar con refrigerante.
  8. Ensamble nuevamente los compartimentos sellados con precisión. Si los sellos están desgastados, reemplácelos.
  9. Verifique el equipo de seguridad antes de ponerlo en servicio.

#### **d) Desmantelamiento**

- Si la seguridad se ve afectada al poner fuera de servicio el equipo, la carga de refrigerante debe eliminarse antes del desmantelamiento.
- Asegúrese de que haya suficiente ventilación en el lugar del equipo.
- Tenga en cuenta que el mal funcionamiento del equipo puede deberse a la pérdida de

refrigerante y es posible que haya una fuga de refrigerante.

- Descargue los condensadores de manera que no se produzcan chispas.
- Retire el refrigerante. Si la recuperación no es requerida por las normativas nacionales, drene el refrigerante al exterior.

## 8 PROCEDIMIENTOS DE CARGA

Además de los procedimientos convencionales de carga, se deberán cumplir los siguientes requisitos:

- Asegúrese de que no ocurra contaminación entre diferentes refrigerantes al usar el equipo de carga. Las mangueras o líneas deben ser lo más cortas posible para minimizar la cantidad de refrigerante que contienen.
- Los cilindros deben mantenerse en posición vertical.
- Asegúrese de que el sistema de refrigeración esté conectado a tierra antes de cargar el sistema con refrigerante.
- Etiquete el sistema cuando se complete la carga (si aún no se ha hecho).
- Se debe tener mucho cuidado de no sobrecargar el sistema de refrigeración.
- Antes de recargar el sistema, debe realizarse una prueba de presión con nitrógeno libre de oxígeno (OFN). El sistema debe someterse a una prueba de fugas una vez finalizada la carga, pero antes de la puesta en marcha. Se deberá realizar una prueba de fugas de seguimiento antes de salir del sitio

## 9 DESMANTELAMIENTO

Antes de realizar este procedimiento, es esencial que el técnico esté completamente familiarizado con el equipo y todos sus detalles. Se recomienda como buena práctica que todos los refrigerantes sean recuperados de manera segura. Antes de llevar a cabo la tarea, se debe tomar una muestra de aceite y de refrigerante en caso de que se requiera análisis antes de reutilizar el refrigerante recuperado. Es esencial que haya suministro eléctrico disponible antes de comenzar la tarea.

- a) Familiarícese con el equipo y su operación.
- b) Aísle el sistema eléctricamente.
- c) Antes de intentar el procedimiento, asegúrese de que:
  - Se dispone de equipo de manipulación mecánica, si es necesario, para manejar los cilindros de refrigerante.
  - Todo el equipo de protección personal esté disponible y se use correctamente.
  - El proceso de recuperación sea supervisado en todo momento por una persona competente.
  - El equipo y los cilindros de recuperación cumplan con las normas apropiadas.
- d) Si es posible, reduzca la presión del sistema de refrigeración.
- e) Si no es posible hacer vacío, instale un colector para que el refrigerante se pueda retirar de varias partes del sistema.
- f) Asegúrese de que el cilindro esté situado en una báscula antes de iniciar la recuperación.

- g) Inicie la máquina de recuperación y opere según las instrucciones del fabricante.
- h) No sobrellene los cilindros. (No más del 80% del volumen en carga líquida).
- i) No exceda la presión máxima de trabajo del cilindro, ni siquiera temporalmente.
- j) Cuando los cilindros se hayan llenado correctamente y el proceso haya finalizado, asegúrese de que los cilindros y el equipo se retiren del sitio de inmediato y que todas las válvulas de aislamiento en el equipo estén cerradas.
- k) El refrigerante recuperado no debe cargarse en otro sistema de refrigeración a menos que haya sido limpiado y verificado.

## 10 ETIQUETADO

El equipo debe ser etiquetado indicando que ha sido desmantelado y vaciado de refrigerante. La etiqueta debe estar fechada y firmada. Asegúrese de que haya etiquetas en el equipo indicando que contiene refrigerante inflamable.

## 11 RECUPERACIÓN

Al retirar refrigerantes de un sistema, ya sea para mantenimiento o desmantelamiento, se recomienda como buena práctica que todos los refrigerantes sean eliminados de manera segura. Al transferir el refrigerante a cilindros, asegúrese de que solo se utilicen cilindros de recuperación adecuados para refrigerante. Asegúrese de que estén disponibles el número correcto de cilindros para almacenar la carga total del sistema. Todos los cilindros por utilizar deben estar designados para el refrigerante recuperado y etiquetados para ese refrigerante (es decir, cilindros especiales para la recuperación de refrigerante). Los cilindros deben contar con una válvula de alivio de presión y válvulas de cierre asociadas en buen estado de funcionamiento. Los cilindros de recuperación vacíos deben ser evacuados y, si es posible, enfriados antes de que ocurra la recuperación.

El equipo de recuperación debe estar en buen estado de funcionamiento y contar con un conjunto de instrucciones disponibles, siendo adecuado para la recuperación de refrigerantes inflamables. Además, se debe contar con un conjunto de básculas calibradas y en buen estado de funcionamiento. Las mangueras deben tener acoples de desconexión sin fugas y estar en buenas condiciones. Antes de usar la máquina de recuperación, verifique que esté en buenas condiciones, haya sido mantenida correctamente y que los componentes eléctricos asociados estén sellados para evitar ignición en caso de una liberación de refrigerante. Consulte al fabricante en caso de duda.

El refrigerante recuperado debe ser devuelto al proveedor de refrigerante en el cilindro de recuperación correcto, y se debe organizar la correspondiente **Nota de Transferencia de Residuos**. No mezcle refrigerantes en unidades de recuperación, y especialmente no en cilindros.

Si se van a retirar compresores o aceites de compresores, asegúrese de que hayan sido evacuados a un nivel aceptable para garantizar que no quede refrigerante inflamable dentro del lubricante. El proceso de evacuación debe realizarse antes de devolver el compresor a los proveedores. Solo se debe emplear calor eléctrico en el cuerpo del compresor para

acelerar este proceso. Cuando se drene el aceite de un sistema, debe hacerse de manera segura.

## Competencia del personal de servicio

### GENERAL

Se requiere una formación especial, adicional a los procedimientos habituales de reparación de equipos de refrigeración, cuando se trabaja con equipos que utilizan refrigerantes inflamables. En muchos países, esta formación la imparten organizaciones nacionales acreditadas para enseñar los estándares de competencia nacionales pertinentes, que pueden estar establecidos por la legislación.

La competencia alcanzada debe documentarse mediante un certificado.

### FORMACIÓN

La formación debe incluir lo siguiente:

- Información sobre el potencial explosivo de los refrigerantes inflamables para mostrar que los inflamables pueden ser peligrosos si no se manipulan con cuidado.
- Información sobre posibles fuentes de ignición, especialmente aquellas que no son obvias, como encendedores, interruptores de luz, aspiradoras y calentadores eléctricos.
- Información sobre los diferentes conceptos de seguridad:
  - **Sin ventilación** – (ver Cláusula GG.2) La seguridad del aparato no depende de la ventilación del recinto. Apagar el aparato o abrir el recinto no tiene un efecto significativo en la seguridad. No obstante, es posible que el refrigerante que se escape se acumule dentro del recinto y libere una atmósfera inflamable al abrirlo.
  - **Recinto ventilado** – (ver Cláusula GG.4) La seguridad del aparato depende de la ventilación del recinto. Apagar el aparato o abrir el recinto tiene un efecto significativo en la seguridad. Se debe asegurar una ventilación adecuada antes de realizar cualquier operación.
  - **Habitación ventilada** – (ver Cláusula GG.5) La seguridad del aparato depende de la ventilación de la habitación. Apagar el aparato o abrir el recinto no tiene un efecto significativo en la seguridad. La ventilación de la habitación no debe apagarse durante los procedimientos de reparación.

Información sobre el concepto de componentes sellados y compartimentos sellados para el refrigerante hacia el exterior. Asegúrese de que el refrigerante drenado no cause ningún peligro. En caso de duda, una persona debería vigilar la salida. Tome especial precaución para que el refrigerante drenado no vuelva a ingresar al edificio.

- Evacúe el circuito de refrigerante.
- Purgue el circuito de refrigerante con nitrógeno durante 5 minutos.
- Evacúe nuevamente.
- Llene con nitrógeno hasta alcanzar la presión atmosférica.
- Coloque una etiqueta en el equipo para asegurar que se ha retirado el refrigerante.
- Asegure una ventilación adecuada en el lugar de trabajo.
- Retire el refrigerante. Si no se requiere recuperación según las normativas nacionales, drene el refrigerante hacia el exterior. Asegúrese de que el refrigerante drenado no cause ningún peligro. En caso de duda, una persona debería vigilar la salida. Tome especial precaución para que el refrigerante drenado no vuelva a ingresar al edificio.

- Evacúe el circuito de refrigerante.
- Purgue el circuito de refrigerante con nitrógeno durante 5 minutos.
- Evacúe nuevamente.
- Corte el compresor y drene el aceite.

## **TRANSPORTE, MARCADO Y ALMACENAMIENTO DE UNIDADES QUE EMPLEAN REFRIGERANTES INFLAMABLES**

### **Transporte de equipos que contienen refrigerantes inflamables**

Se destaca que pueden existir regulaciones de transporte adicionales en relación con equipos que contienen gases inflamables. El número máximo de equipos o la configuración permitida para ser transportados juntos estará determinado por las normativas de transporte aplicables.

### **Marcado de equipos mediante señales**

Las señales para aparatos similares utilizados en un área de trabajo generalmente están reguladas por normativas locales y establecen los requisitos mínimos para la provisión de señales de seguridad y/o salud en un lugar de trabajo.

Todas las señales requeridas deben mantenerse en buen estado, y los empleadores deben asegurarse de que los empleados reciban la instrucción y capacitación adecuada sobre el significado de las señales de seguridad y las acciones que deben tomar en relación con ellas.

La efectividad de las señales no debe verse disminuida por la colocación de demasiadas señales juntas. Cualquier pictograma utilizado debe ser lo más simple posible y contener solo los detalles esenciales.

### **Eliminación de equipos que usan refrigerantes inflamables**

Consulte las normativas nacionales.

### **Almacenamiento de equipos/aparatos**

El almacenamiento de los equipos debe realizarse de acuerdo con las instrucciones del fabricante.

### **Almacenamiento de equipos empaquetados (no vendidos)**

La protección del empaque debe estar diseñada de tal manera que el daño mecánico al equipo dentro del paquete no provoque una fuga de la carga de refrigerante.

El número máximo de equipos permitidos para ser almacenados juntos estará determinado por las normativas locales.

## 2. Nomenclatura de las piezas

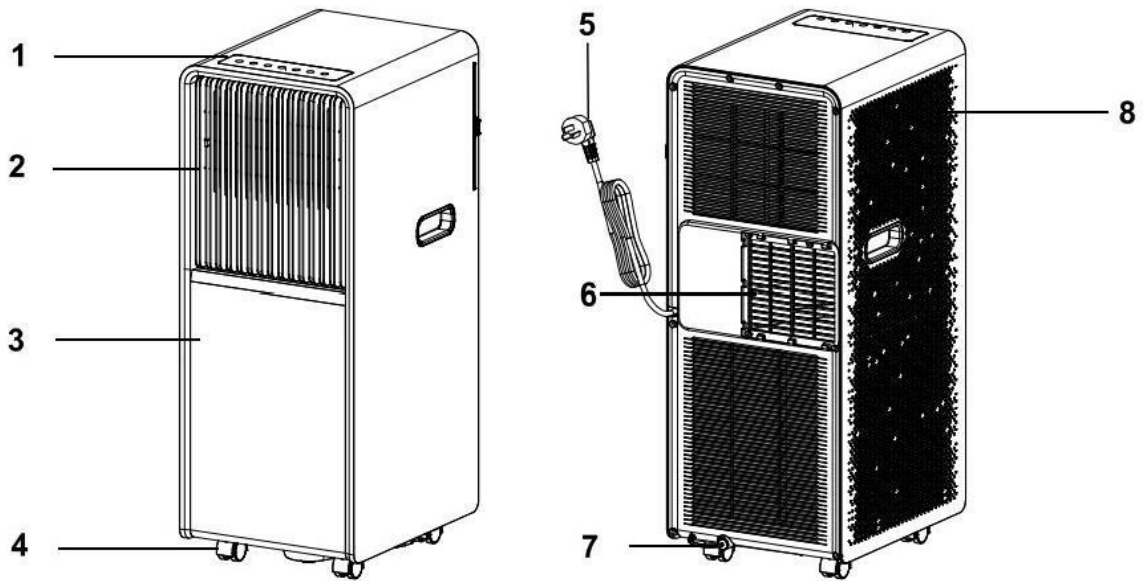




Fig.1

1	Panel de control	5	Cable de corriente
2	Rejilla	6	Salida de aire
3	Panel frontal	7	Salida de drenado
4	Redas	8	Entrada de aire



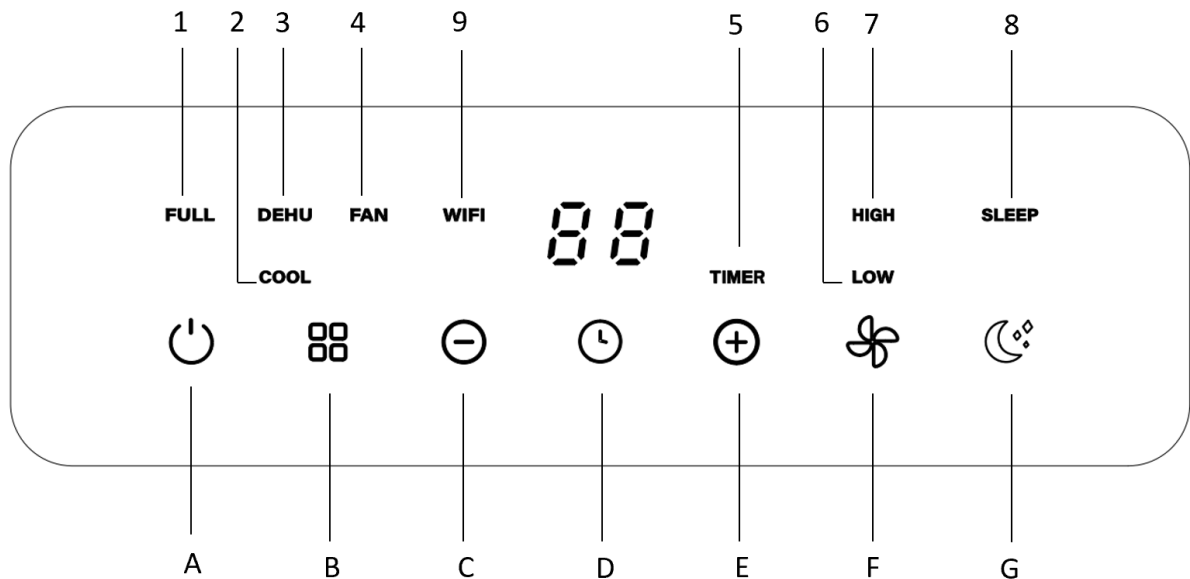
### 3. Accesorios

Pieza	Descripción	Cantidad
	Manguera de escape	1
	Conector de ventana	1
	Adaptador de carcasa	1
	Control remoto LCD	1
	Kit de ventana	1 (opcional)
	Salida de aire	1 (opcional)
	Tubería de agua	1 (opcional)
	Baterías	2 (opcional)

Después de desembalar, verifique si los accesorios mencionados anteriormente están incluidos y verifique sus propósitos en la introducción de instalación de este manual.

## 4. Apariencia y función del panel de control

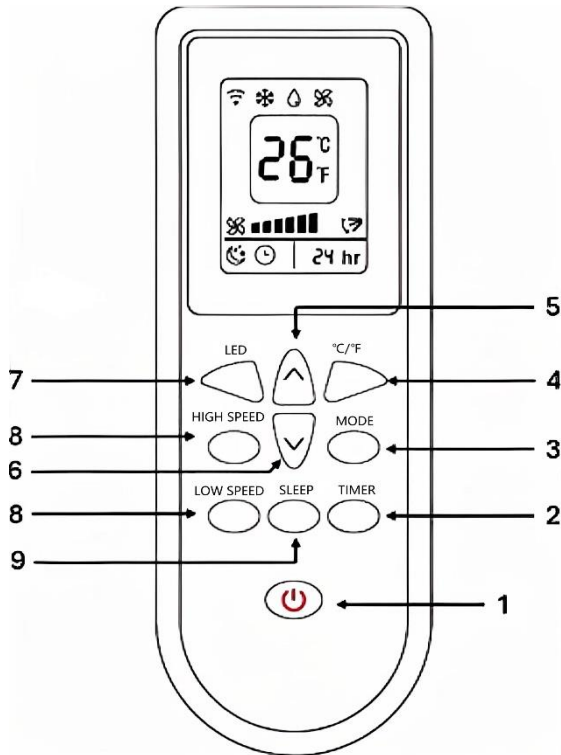
### Modelo de refrigeración + WIFI



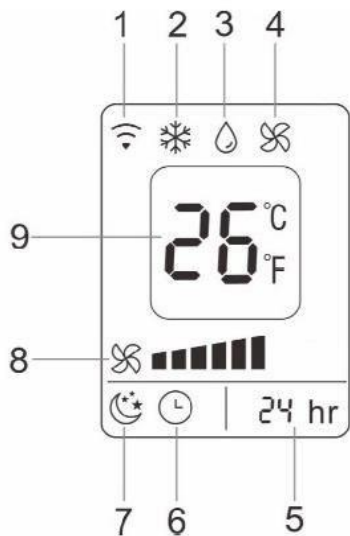
A	Encendido/apagado	2	Enfriamiento
B	Modo de funcionamiento	3	Deshumidificar
C	Minuterie/température décroissante	4	Ventilador
D	Temporizador encendido/apagado	5	Minuterie
E	Minuterie/température croissante	6	Velocidad baja del ventilador
F	Velocidad del ventilador	7	Velocidad alta del ventilador
G	Modo de suspensión	8	Suspendido
1	Tanque de agua lleno	9	WIFI

## 5. Apariencia y función del control remoto

### Control remoto con pantalla LCD solo para refrigeración



1	Encendido/apagado
2	Temporizador encendido/apagado
3	Modo de funcionamiento
4	Selector °C/F
5	Aumentar temperatura
6	Bajar temperatura
7	Pantalla LED
8	Velocidad del ventilador
9	Modo de suspensión



1	Señal del receptor
2	Enfriamiento
3	Deshumidificar
4	Ventilador
5	Temporizador
6	Temporizador encendido/apagado
7	Modo de suspensión
8	Velocidad del ventilador
9	Temperatura

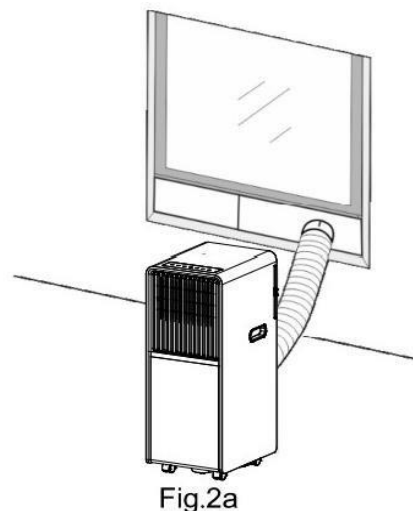
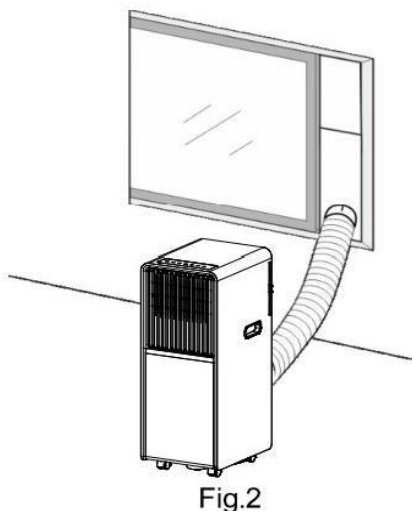
#### NOTAS:

- No deje caer el control remoto.
- No coloque el control remoto en un lugar expuesto a la luz solar directa.
- 

## 6. Introducción a la operación

Antes de iniciar operaciones:

- 1) Busque un lugar donde haya una fuente de energía cercana.
- 2) Como se muestra en la Fig.2 y la Fig.2a, instale la manguera de escape y ajuste bien la posición de la ventana.



- 3) Como se muestra en la Fig.6, conecte bien la manguera de drenado (solo para usar el modelo con calefacción)
- 4) Inserte el cable de alimentación en una toma de corriente **AC115V/60Hz** con conexión a tierra;

5) Presione el botón ENCENDIDO para encender el aire acondicionado

## 6.1. Antes de usar

### AVISO:

- Rango de temperatura de funcionamiento:

	Enfriamiento máximo	Enfriamiento mínimo
DB/WB(F)	95/75	64/53

Verificación de la correcta instalación de la manguera de escape.

### Precauciones para las operaciones de enfriamiento y deshumidificación:

- Al usar las funciones de enfriamiento y deshumidificación, mantenga un intervalo de al menos 3 minutos entre cada encendido/apagado.
- Revise que el suministro de energía cumple con los requisitos.
- El enchufe es para uso en corriente alterna (AC).
- No comparta un mismo enchufe con otros electrodomésticos.
- El suministro de energía es **AC115V, 60Hz**

## 6.2 Operación de enfriamiento

- Presione el botón "*Mode*" hasta que aparezca el ícono "*Cool*".
- Presione el botón "▲" o "▼" para seleccionar la temperatura deseada de la habitación. (16°C-31°C/61°F-88°F)
- Presione el botón "*SPEED*" para seleccionar la velocidad del viento.

## 6.3 Operación de deshumidificación

- Presione el botón "*Mode*" hasta que aparezca el ícono "*Dehumidify*".
- La temperatura seleccionada se ajustará automáticamente a la temperatura actual de la habitación menos 2°C. (16°C-31°C/61°F-88°F)
- El motor del ventilador se ajustará automáticamente a baja velocidad.

## 6.4 Operación del ventilador

- Presione el botón "*Mode*" hasta que aparezca el ícono "*Fan*".
- Presione el botón "*FAN SPEED*" para seleccionar la velocidad del viento.

## 6.5 Operación del temporizador

Configuración del temporizador **ON**:

- Cuando el aire acondicionado esté apagado, presione el botón "*Timer*" y seleccione un tiempo de encendido deseado a través de los botones de temperatura y tiempo.
- "*Preset ON Time*" (Tiempo de encendido preestablecido) se mostrará en el panel de operación.
- El tiempo de encendido se puede regular en cualquier momento entre 0 y 24 horas.

- Presione el botón "*Timer*" nuevamente para confirmar, el indicador del temporizador se encenderá.
- Para desactivar la función del temporizador, presione el botón "*Timer*" hasta que el indicador del temporizador se apague.

### **Configuración del temporizador *OFF*:**

- Cuando el aire acondicionado esté encendido, presione el botón "*Timer*" y seleccione un tiempo de apagado deseado a través de los botones de temperatura y tiempo.
- "*Preset OFF Time*" (Tiempo de apagado preestablecido) se mostrará en el panel de operación.
- El tiempo de apagado se puede regular en cualquier momento entre 0 y 24 horas.
- Presione el botón "*Timer*" nuevamente para confirmar, el indicador del temporizador se encenderá.
- Para desactivar la función del temporizador, presione el botón "*Timer*" hasta que el indicador del temporizador se apague.

### **6.6 Modo *SLEEP* (Dormir)**

- Mientras está en modo de enfriamiento, presione el botón "*SLEEP*" para ajustar la temperatura. Aumenta 1°C después de una hora y, como máximo, aumenta 2°C/4°F después de 2 horas.
- Mientras está en modo de calefacción, presione la tecla "*SLEEP*" para ajustar la temperatura. Disminuye 1°C después de una hora y, como máximo, disminuye 2°C/4°F después de 2 horas.
- Presione la tecla "*SLEEP*" nuevamente para cancelar la configuración

### **6.7 Drenado de agua**

#### **Alarma de agua llena**

La bandeja interna de agua dentro del aire acondicionado tiene un interruptor de seguridad de nivel de agua, que controla el nivel de agua. Cuando el nivel de agua alcanza una altura prevista, se enciende la luz indicadora de agua llena. Cuando el agua está llena, retire el tapón de goma en la parte inferior de la unidad y toda el agua drenará al exterior.

#### **Drenado continuo**

- Si planea dejar esta unidad sin uso durante un período prolongado, retire el tapón de goma del orificio de drenado en la parte inferior de la unidad y drene toda el agua hacia el exterior.
- No es necesario aplicar el drenado continuo cuando la unidad está en modo FRÍO o DESHUMIDIFICACIÓN, ya que puede evaporar automáticamente el agua de condensado

mediante el motor de salpicadura. Asegúrese de que los orificios de drenado estén bien sellados.

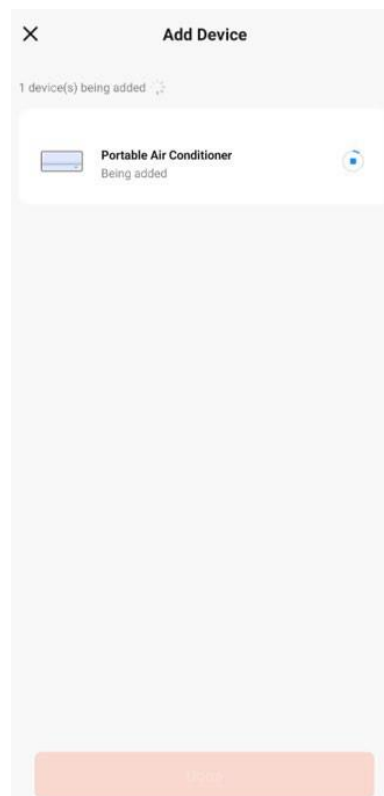
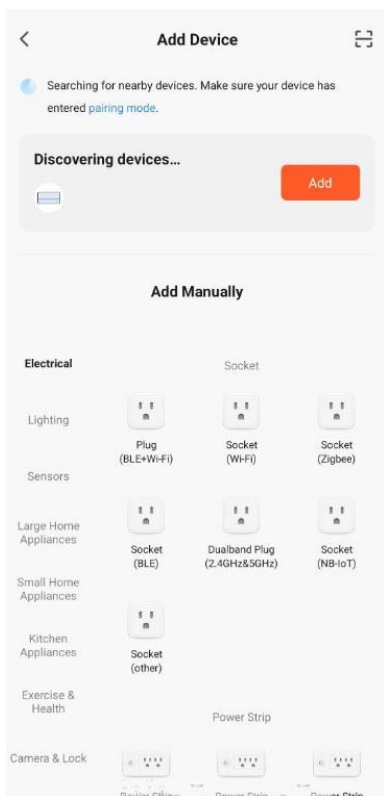
- Si el motor de salpicadura está dañado, se puede usar el drenado continuo. Conecte la manguera de drenaje al orificio de drenado inferior (Fig.6), y la unidad funcionará correctamente.
- Si el motor de salpicadura está dañado, también se puede utilizar el drenado intermitente. En este caso, cuando se encienda el indicador de tanque lleno, conecte una manguera de drenaje al orificio de drenado inferior; de esta forma, toda el agua en el tanque de agua se drenará hacia el exterior. La unidad funcionará correctamente.

## 6.8 Función WIFI




- Mantenga presionado el botón "*SPEED*" durante 5 segundos para entrar en el modo de configuración de fábrica de WIFI.
- Cuando el indicador de WIFI parpadea rápidamente, la unidad está en EZ modo WIFI; si parpadea lentamente, la unidad está en modo de emparejamiento de la aplicación WIFI.
- Para dispositivos combinados de Wi-Fi y *Bluetooth*, active el *Bluetooth* y la ubicación, y permita que la aplicación acceda a su ubicación. También se requiere permiso de *Bluetooth*. Los dispositivos combinados de Wi-Fi y *Bluetooth* se pueden descubrir automáticamente. O elija "Aire acondicionado portátil" en la aplicación. Luego, toque "Modo Wi-Fi" en la esquina superior derecha y seleccione "*Bluetooth*".
- Descargue e inicie sesión en la aplicación **ComfortPro**; el aire acondicionado portátil se encontrará automáticamente; aparecerá una ventana emergente como la siguiente.

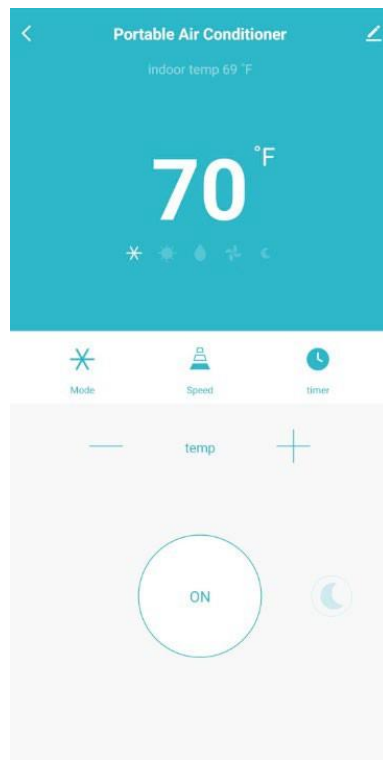


- Si el Aire acondicionado portátil no apareció automáticamente en la aplicación, haga clic **+** en la esquina superior derecha y haga clic en **Add**
- Ingrese la contraseña de WiFi y haga clic en **Start** para iniciar el emparejamiento. Si la sincronización falla, repita los pasos anteriores.





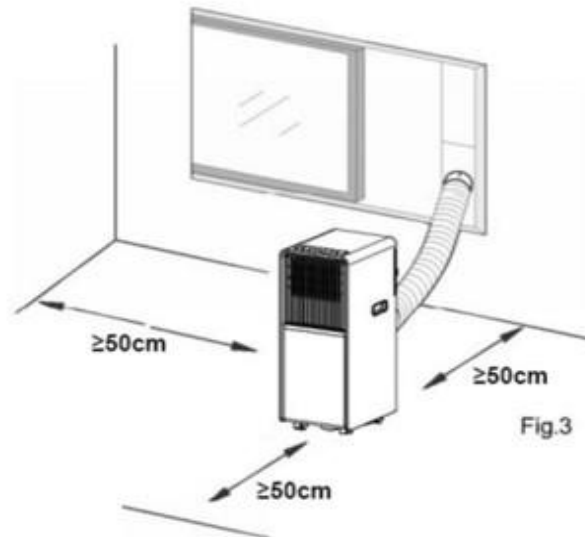
- El usuario puede seleccionar en la aplicación móvil:
  - Paso 1 – click  para acceder a las funciones de modo.
  - Paso 2 – click  para ver los niveles de velocidad
  - Paso 3 – click  para programar el temporizador



## 7. Instalación

### 7.1 Explicaciones de Instalación:

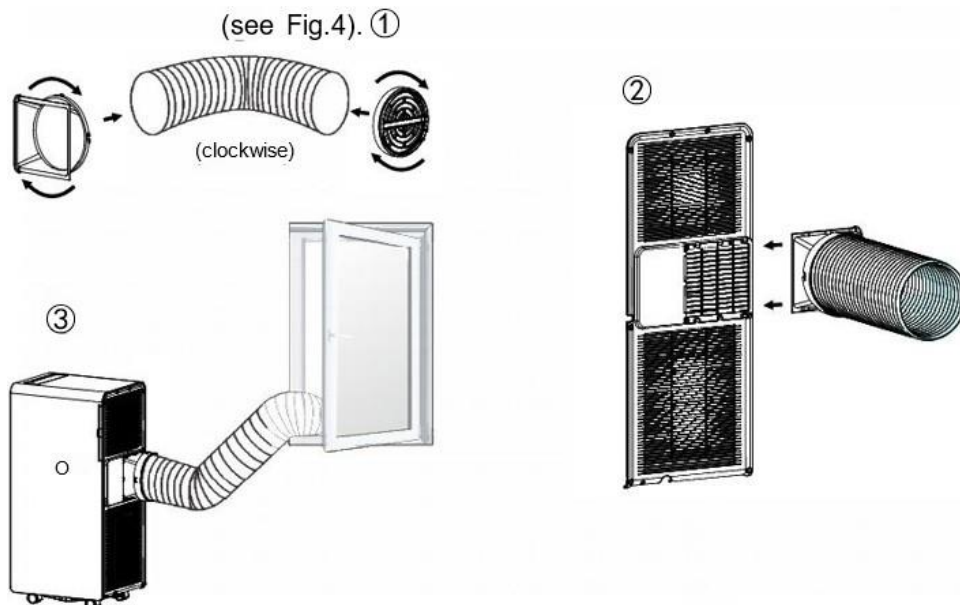
- El aire acondicionado portátil debe instalarse en un lugar plano y vacío alrededor. No bloquee la salida de aire, y la distancia requerida a su alrededor debe ser de al menos 50 cm. (Ver Fig. 3)
- No debe instalarse en lugares húmedos, como el cuarto de lavado.
- El cableado del enchufe debe cumplir con los requisitos de seguridad eléctrica locales.



### 7.2 Introducción a la instalación de la manguera de escape

#### A) Instalación temporal

1. Gire el adaptador de la carcasa y el conector de la ventana hacia los extremos de la manguera de escape.
2. Inserte el clip de fijación del adaptador de carcasa en las aberturas en la parte posterior del aire acondicionado.
3. Coloque el otro extremo de la manguera de escape en el alféizar de la ventana.



### 7.3 Instalación del Kit de ventilación de ventana

La instalación del kit de deslizamiento de ventana se realiza principalmente de manera "horizontal" y "vertical". Como se muestra en Fig. 5 y Fig. 5a, verifique las dimensiones mínimas y máximas de la ventana antes de la instalación.

1. Instale el kit en la ventana (Fig. 5, Fig. 5a).
2. Ajuste la longitud del kit de deslizamiento de ventana de acuerdo con el ancho o la altura de la ventana y fije con el anclaje.
3. Inserte la manguera del Conector de Ventana en el orificio del Kit de Ventana (Fig.5b).

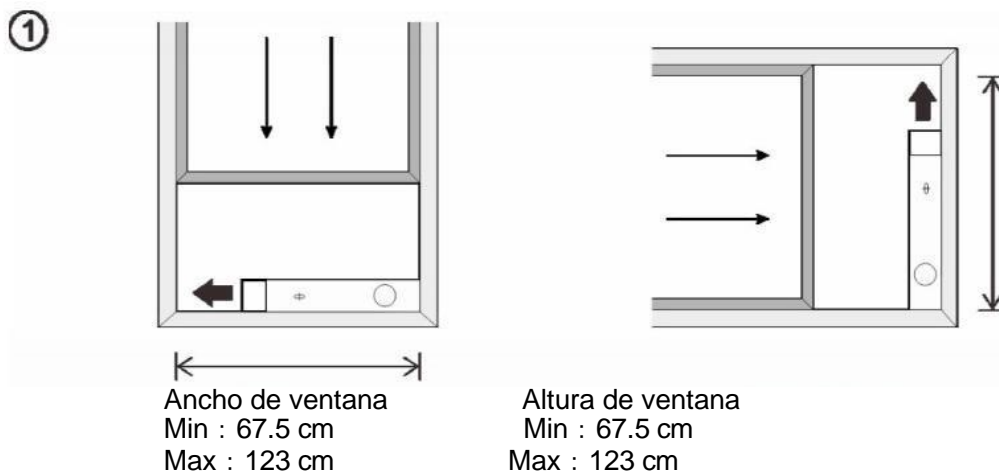


Fig.5

Fig.5a

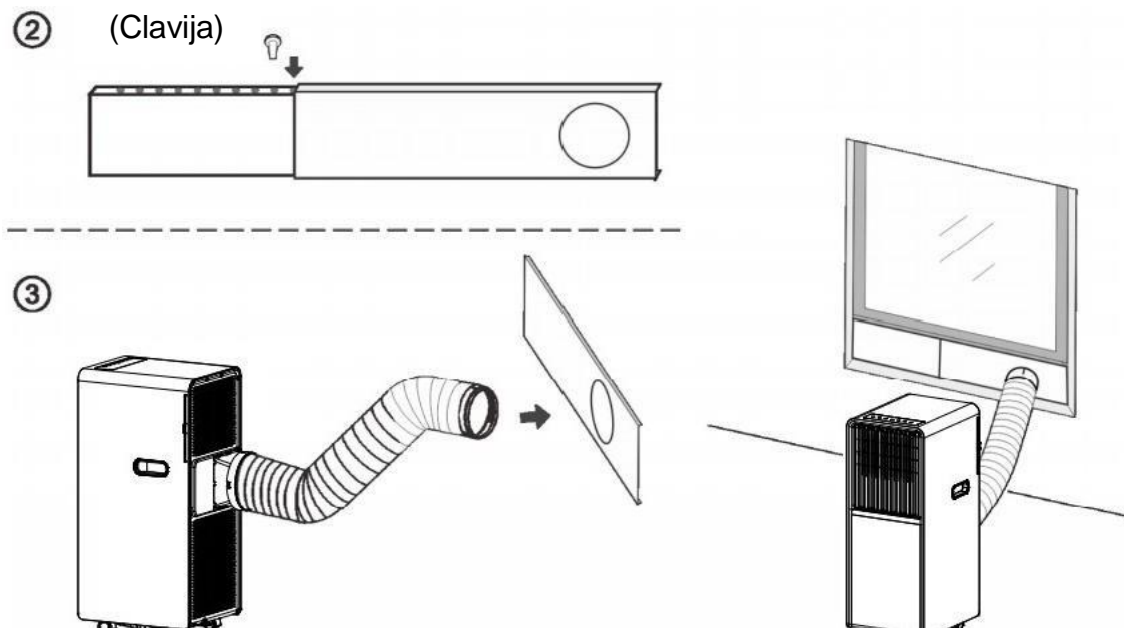


Fig.5b

### 7.3 Función de alarma de agua llena

La bandeja de agua interna en el aire acondicionado tiene un interruptor de seguridad para el nivel de agua, el cual controla el nivel de agua. Cuando el nivel de agua alcanza una altura predeterminada, se enciende la luz indicadora de tanque lleno. (Si el motor de salpicadura de agua está dañado y el tanque se llena, retire el tapón de goma en la parte inferior de la unidad para que toda el agua se drene hacia el exterior)

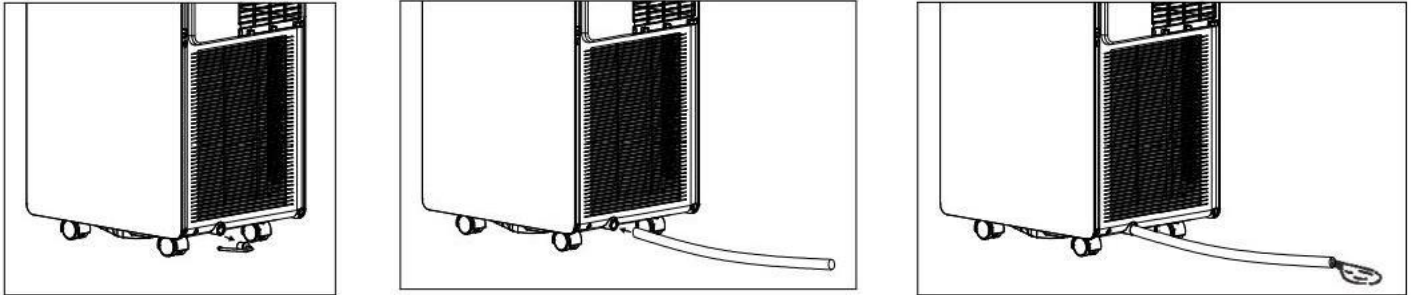
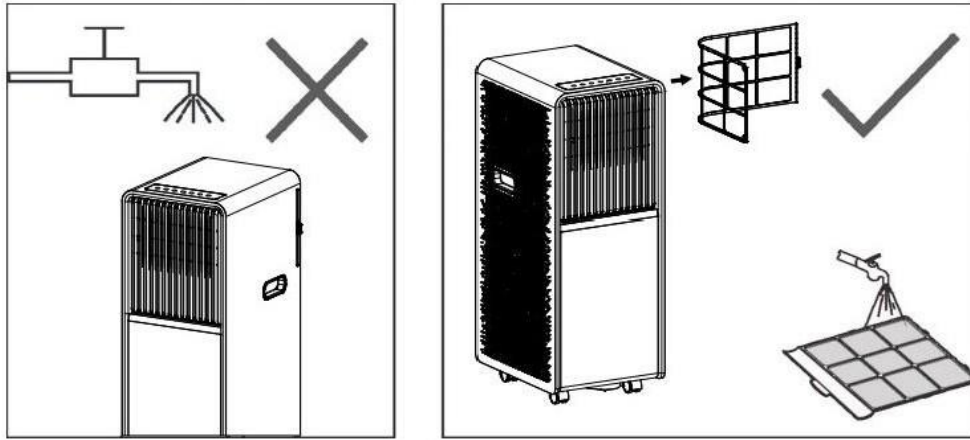


Fig.6

## 8. Mantenimiento

### Indicaciones:

- 1) Antes de limpiar, asegúrese de desconectar la unidad de cualquier toma de corriente eléctrica.
- 2) No use gasolina ni otros productos químicos para limpiar la unidad.
- 3) No lave la unidad directamente.
- 4) Si el aire acondicionado está dañado, comuníquese con el distribuidor o el taller de reparaciones.



### 8.1 Filtro de Aire

- Si el filtro de aire se obstruye con polvo/suciedad, debe limpiarse una vez cada dos semanas.
  - 1) **Desmontaje:** Abra la rejilla de entrada de aire y retire el filtro de aire.
  - 2) **Limpieza:** Limpie el filtro de aire con un detergente neutro en agua tibia (40°C) y déjelo secar a la sombra.
  - 3) **Montaje:** Coloque el filtro de aire en la rejilla de entrada y reemplace los componentes como estaban.

### 8.2 Limpiar la Superficie del Aire Acondicionado

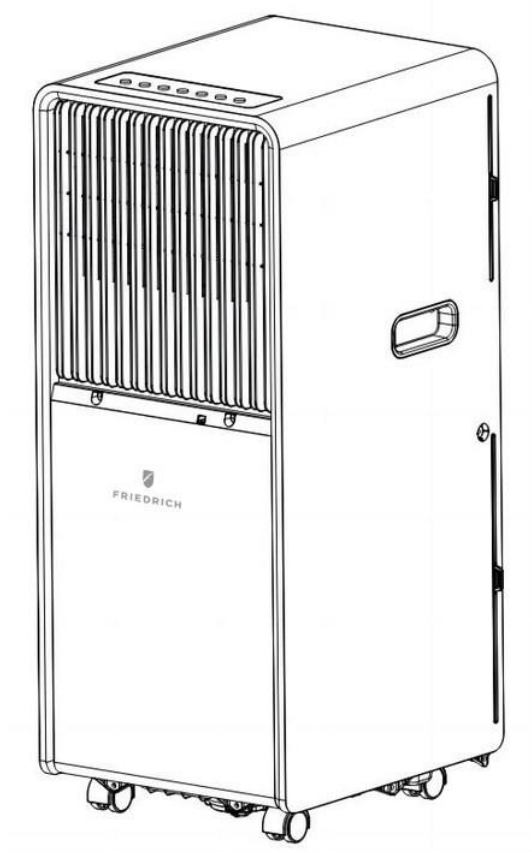
Primero, limpie la superficie con un detergente neutro y un paño húmedo, y luego séquela con un paño seco.

## 9. Solución de problemas

Problema	Posible causa	Sugerencia de solución
1. La unidad no enciende al presionar el botón de encendido/apagado	- La luz indicadora de <b>Agua llena</b> parpadea y el tanque de agua está lleno.	Vacíe el agua del tanque.
	- La temperatura de la habitación es superior a la temperatura establecida. (Modo de calefacción eléctrica)	Reinicie la temperatura
	- La temperatura de la habitación es inferior a la temperatura establecida. (Modo de enfriamiento)	Reinicie la temperatura
2. No enfría lo suficiente	- Las puertas o ventanas no están cerradas.	Asegúrese de que todas las ventanas y puertas estén cerradas.
	- Hay fuentes de calor en la habitación.	Retire las fuentes de calor si es posible.
	- La manguera de escape de aire no está conectada o está bloqueada.	Conecte o limpie la manguera de escape de aire.
	- La temperatura establecida es demasiado alta.	Reinicie la temperatura.
	- La entrada de aire está bloqueada.	Limpie la entrada de aire.
3. Ruido excesivo	- El suelo no está nivelado o no es lo suficientemente plano.	Coloque la unidad sobre un suelo plano y nivelado si es posible.
	- El sonido proviene del flujo del refrigerante dentro del aire acondicionado.	Es normal.
4. Códgo E0	Fallo del sensor de temperatura de la habitación.	Reemplace el sensor de temperatura de la habitación.
5. Códgo E1	Fallo del sensor de temperatura del condensador.	Reemplace el sensor de temperatura del condensador.
6. Códgo E2	Tanque de agua lleno durante el enfriamiento.	Retire el tapón de goma y vacíe el agua.
7. Códgo E3	Fallo del sensor de temperatura del evaporador.	Reemplace el sensor de temperatura del evaporador.
8. Códgo E4	Tanque de agua lleno durante la calefacción.	Vacíe el tanque de agua.

**NOTA: Los productos reales pueden verse diferentes.**

# Manuel de l'utilisateur, climatiseur portatif (R32)



## Modèles:

ZCP08SB et ZCP10SB + Tuyau unique + Wi-Fi

Veillez attentivement lire ce manuel d'utilisation pour vous assurer de bien installer, utiliser et entretenir l'appareil.

**Friedrich Air Conditioning, A Rheem company**  
10001 Reunion Place, Ste. 500 | San Antonio, TX 78216  
Soutien technique: 1-877-599-5665 | [www.friedrich.com](http://www.friedrich.com)

## Table des matières

1. Directives de sécurité.....	3
2. Illustration des pièces.....	16
3. Accessoires .....	17
4. Apparence et fonctions du panneau de commande.....	18
5. Apparence et fonctions de la télécommande .....	19
6. Principes de fonctionnement.....	20
7. Directives d'installation.....	24
8. Directives d'entretien.....	28
9. Dépannage.....	29



## 1. Directives de sécurité



### AVIS TRÈS IMPORTANT!

Ne PAS entreprendre l'installation ni utiliser ce climatiseur portatif avant d'avoir attentivement lu ce manuel. Veuillez conserver ce manuel d'instructions pour référence ultérieure ou à d'éventuelles fins de garantie.

#### Avertissement

Suivez uniquement les procédures de dégivrage ou de nettoyage recommandées par le fabricant; ne PAS utiliser d'autres méthodes pour accélérer le dégivrage.

Cet appareil doit être entreposé ou utilisé dans un lieu exempt de toute source d'inflammation prévisible (ex.: flammes nues de toutes natures, appareil à gaz ou à rayonnement électrique fonctionnels). Ne PAS perforer ni jeter cet appareil au feu.

Note: certains fluides réfrigérants ne contiennent PAS d'additif odoriférant.

Cet appareil doit être entreposé, installé ou utilisé dans un lieu dont la superficie de XXX ft<sup>2</sup>.

MODÈLE	ft <sup>2</sup>
5000 BTU/h DOE / 8000 BTU/h ASHRAE	300 - 350
6000 BTU/h DOE / 10 000 BTU/h ASHRAE	400 - 450

L'entretien doit uniquement être effectué selon les recommandations du fabricant de l'appareil.

Cet appareil doit être entreposé ou utilisé dans un lieu bien ventilé dont la superficie correspond à celle spécifiée pour assurer son bon fonctionnement.

Les travaux pouvant affecter le bon fonctionnement des dispositifs de sécurité de l'équipement doivent être uniquement confiés à une personne qualifiée.

## Avertissement relatif au R32



Directives relatives aux appareils contenant du réfrigérant R32. Lisez attentivement tous les avertissements.

- Lors du dégivrage et du nettoyage de l'appareil, NE PAS utiliser d'outils autres que ceux recommandés par son fabricant.
- Cet appareil doit être entreposé ou utilisé dans un lieu exempt de toute source d'inflammation dont la présence récurrente est raisonnablement anticipée (ex.: à proximité de flammes nues ou d'appareils à gaz ou électriques fonctionnels).
- Ne PAS perforer ni jeter cet appareil au feu.
- Cet appareil contient une certaine quantité (consulter l'étiquette signalétique apposée au dos de l'appareil) de fluide réfrigérant R32.
- Le R32 est un fluide réfrigérant conforme à la directive États-Unis sur la responsabilité environnementale. Ne PAS perforer toute partie du circuit de réfrigération.
- Lorsque l'appareil est entreposé, installé ou utilisé dans un lieu non ventilé, ce lieu doit être conçu de manière à prévenir l'accumulation de toute éventuelle fuite de fluide réfrigérant pouvant représenter un risque d'incendie ou d'explosion par suite d'exposition à toute source d'inflammation (ex.: à proximité de flammes nues ou d'appareils à gaz ou électriques fonctionnels).
- L'appareil doit être entreposé de manière à prévenir tout dommage pouvant causer une défaillance mécanique.
- Le réglage d'équipement de réfrigération ou la réalisation de travaux sur celui-ci doivent être uniquement confiés à une personne qualifiée dans la manutention sécuritaire de fluides réfrigérants selon un organisme reconnu.
- Toute réparation doit être effectuée conformément aux directives du fabricant. Les travaux d'entretien ou la réparation d'équipement de réfrigération nécessitant les services de personnes de divers corps de métiers doivent être effectués sous la supervision d'une personne qualifiée dans l'utilisation sécuritaire de fluides réfrigérants inflammables.
- Cet appareil ne doit PAS être raccordé à des tuyaux comportant une source d'inflammation.

## Directives générales de sécurité

1. Cet appareil est uniquement destiné à une utilisation intérieure.
2. Ne pas utiliser l'appareil si la prise électrique murale est défectueuse ou s'il n'est pas installé de manière appropriée.
3. Ne pas utiliser l'appareil si le lieu d'installation possède l'une des caractéristiques suivantes:
  - A. Proximité d'une source de flammes.
  - B. Possibilité d'éclaboussures par des lubrifiants.
  - C. Exposition à la lumière directe du soleil.
  - D. Possibilité d'éclaboussures par de l'eau.
  - E. Proximité d'une baignoire, d'une buanderie, d'une douche ou d'une piscine.
4. Ne PAS insérer les doigts dans l'ouverture d'évacuation. Assurez-vous de bien informer les enfants de ce danger.
5. L'appareil doit être maintenu en position verticale lors de son entreposage et de tout déplacement.
6. Avant de nettoyer le climatiseur, mettre l'appareil à l'arrêt et couper son alimentation électrique.
7. Avant de déplacer le climatiseur, mettre l'appareil à l'arrêt, couper son alimentation électrique et procéder avec soins.
8. Afin d'éviter tout risque d'incendie, le climatiseur ne doit PAS être recouvert.
9. La prise électrique murale alimentant le climatiseur en électricité doit être conforme aux exigences de l'édition en vigueur du Code canadien de l'électricité, Première partie, CSA C22.1. Au besoin, s'assurer de sa conformité à ces exigences.
10. Superviser les enfants en tout temps afin d'éviter qu'ils utilisent l'appareil comme un jouet.
11. L'endommagement du cordon d'alimentation nécessite son remplacement par le fabricant, l'un de ses agents de service autorisés ou une personne qualifiée, afin d'éviter tout risque d'incendie.
12. Este aparato no está diseñado para ser utilizado por personas (incluidos niños) con capacidades físicas, sensoriales o mentales reducidas, o con falta de experiencia y conocimientos, a menos que hayan recibido supervisión o instrucciones sobre el uso del aparato por parte de una persona responsable de su seguridad.
13. Cet appareil peut être utilisé par des enfants âgés de 8 ans et plus, par des personnes vivant avec des capacités physiques, sensorielles ou mentales réduites ou qui connaissent peu son fonctionnement, à condition que ses instructions d'utilisation sécuritaire leur soient transmises sous une supervision appropriée et qu'ils comprennent les risques associés à son utilisation. Ne PAS laisser les enfants jouer avec l'appareil. Ne PAS laisser un enfant nettoyer l'appareil ou effectuer un entretien de routine sans la supervision d'un adulte.
14. L'appareil doit être installé conformément aux exigences de l'édition en vigueur du Code canadien de l'électricité, Première partie, CSA C22.1.
15. Type et valeurs nominales admissibles des fusibles: type T, 250 Vca, 3,15 A.
16. Recyclage de l'appareil



Ce symbole indique que ce produit ne doit pas être éliminé avec les déchets domestiques dans l'Union européenne. Afin de prévenir les éventuels dommages environnementaux ou à la santé humaine découlant de l'élimination inappropriée de déchets dangereux, veuillez recycler les déchets de manière responsable et promouvoir la réutilisation durable de nos ressources. Pour se débarrasser de cet appareil à la fin de sa vie utile, veuillez l'apporter à un lieu de collecte de produits dangereux ou communiquer avec le détaillant où le produit a été acheté, afin qu'il soit recyclé de manière responsable pour l'environnement.

17. Faire appel aux services d'un technicien d'entretien autorisé pour la réparation ou l'entretien de cet appareil.
18. Ne PAS tenter d'allonger, de déformer ou de modifier le cordon d'alimentation; ne PAS le plonger dans l'eau. L'utilisation inappropriée du cordon d'alimentation risque d'endommager l'appareil ou même de causer une électrocution.
19. L'appareil doit être installé conformément aux exigences de l'édition en vigueur du Code d'installation du gaz naturel et du propane CSA B149.1
20. S'assurer que les ouvertures de ventilation sont libres de toute obstruction.
21. La réalisation de travaux sur un circuit de réfrigération, notamment la désunion ou la réalisation de raccords de tuyauterie, doit être uniquement confiée à une personne qualifiée dans la manutention sécuritaire de fluides réfrigérants selon un organisme reconnu.
22. L'entretien doit uniquement être effectué selon les recommandations du fabricant de l'appareil.
23. La réalisation de tout entretien ou de toute réparation nécessitant des compétences particulières doit être uniquement confiée à une personne qualifiée dans la manutention sécuritaire de fluides réfrigérants inflammables.
24. Ne pas mettre en marche ou arrêter l'appareil en le connectant ou en le déconnectant à répétition de la prise électrique murale: cette mauvaise habitude risque de causer une électrocution ou même de déclencher un incendie en raison d'un dégagement de chaleur excessif.
25. Déconnecter immédiatement l'appareil s'il émet des odeurs ou des bruits inhabituels ou s'il s'en dégage de la fumée étrange.



A2L



Notes:

- En cas d'endommagement d'un composant du climatiseur, veuillez communiquer avec le vendeur ou un atelier de réparation autorisé.
- En cas d'endommagement de l'appareil, éteindre l'interrupteur du ventilateur, couper l'alimentation électrique et communiquer avec le vendeur ou un atelier de réparation autorisé.
- La fiche du cordon d'alimentation doit toujours être connectée à une prise mise à la masse.
- Pour éviter tout risque d'incendie en cas d'endommagement du cordon d'alimentation, éteindre l'interrupteur du ventilateur, couper l'alimentation électrique de l'appareil et communiquer avec le vendeur ou un atelier de réparation autorisé.

### Fonctions du module de communication

Élément	Description
Technologie sans fil	Wi-Fi (WLAN)
Fréquence sans fil	2412 à 2472 MHz
Fréquence Bluetooth	2402 à 2480 MHz
Type de modulation	802.11b:DSSS 802.11g:OFDM 802.11n(20MHz):OFDM
Logiciel à fréquence fixe	SecureCRT.exe
Gain d'antenne	2,5 dBi
Type d'antenne	Intégrée à la carte électronique
Puissance de transmission	≤20 dBm

Élément	Description
Technologie sans fil	Bluetooth
Fréquence sans fil	2402 à 2480 MHz
Type de modulation	GFSK
Logiciel à fréquence fixe	SecureCRT.exe
Gain d'antenne	2,5 dBi
Type d'antenne	Intégrée à la carte électronique
Puissance de transmission	≤20 dBm

# DIRECTIVES DE RÉPARATION D'ÉQUIPEMENT DE RÉFRIGÉRATION CHARGÉ AU R32

## 1 DIRECTIVES GÉNÉRALES

### 1.1 Inspection de l'aire de travail

Avant d'entreprendre des travaux sur un équipement de réfrigération chargé avec un réfrigérant inflammable, inspecter les environs et prendre les mesures requises pour minimiser le risque posé par l'éventuelle présence de toute source d'inflammation. Avant d'entreprendre toute réparation sur un équipement contenant des fluides réfrigérants inflammables, prendre toutes les précautions décrites ci-dessous.

### 1.2 Procédure de travail

Les travaux doivent être effectués selon les règles de l'art afin de minimiser le risque d'exposition des travailleurs à des gaz ou vapeurs inflammables.

### 1.3 Caractéristiques de l'aire de travail

Le personnel d'entretien et tout autre travailleur se trouvant dans les environs doivent être informés de la nature des travaux effectués. Éviter tout travail dans un espace clos. L'aire de travail doit être délimitée de manière à empêcher l'accès aux personnes dont la présence n'y est pas requise. Évaluer si les conditions de travail sont sécuritaires dans l'aire de travail (ex.: présence de dispositifs de sécurité active ou de matières inflammables).

### 1.4 Détection d'une éventuelle fuite de réfrigérant

Confirmer l'absence d'une éventuelle fuite de réfrigérant dans l'aire de travail à l'aide d'un détecteur approprié avant le début des travaux et en cours de réalisation, afin que le technicien soit promptement informé du développement d'une atmosphère explosive. Utiliser un détecteur de fuite de réfrigérant inflammable approprié (antidéflagrant, à boîtier étanche ou à sécurité intrinsèque).

### 1.5 Présence d'un extincteur d'incendie

Lorsque des travaux doivent être effectués sur de l'équipement de réfrigération ou des pièces connexes sous tension, le matériel d'extinction d'incendie approprié doit se trouver à portée de main. S'assurer de la présence d'un extincteur à poudre sèche ou au gaz carbonique (CO<sub>2</sub>) à proximité de l'aire de travail s'il est prévu d'y effectuer la charge de réfrigérants.

### 1.6 Absence de toute source d'inflammation

La réalisation de travaux en lien avec la tuyauterie d'un équipement de réfrigération contenant ou ayant contenu un réfrigérant inflammable ne doit en aucun cas faire appel à une méthode nécessitant le recours à une source d'inflammation risquant de déclencher un incendie ou de provoquer une explosion. Tenir à grande distance toute éventuelle source d'inflammation, notamment les produits du tabac, de toute aire de travail où s'effectue l'installation, la réparation, l'enlèvement et l'élimination d'équipement de réfrigération, des activités comportant un risque de déversement accidentel de fluide réfrigérant inflammable dans l'espace environnant.

Avant d'entreprendre les travaux, inspecter l'aire de travail pour confirmer l'absence de produits inflammables ou de toute source d'inflammation. Afficher des panneaux « Interdiction de fumer ».

### 1.7 Ventilation des lieux

S'assurer que le lieu d'installation est considéré comme étant ouvert ou qu'il est adéquatement ventilé avant la désunion ou la réalisation de raccords de tuyauterie ou le lancement de travaux sur un appareil en marche. L'aire de travail doit être ventilée par un débit d'air continu pendant toute la durée des travaux. La ventilation doit assurer la dispersion sécuritaire de tout déversement de réfrigérant et, si possible, l'expulser à l'extérieur du bâtiment.

## **1.8 Inspection de l'équipement de réfrigération**

Les composants électriques de rechange doivent être adaptés à l'usage auquel ils sont destinés et correspondre aux spécifications du système. Les directives d'entretien et de maintenance prévues par le fabricant doivent être respectées en tout temps. En cas de doute, consulter le service technique du fabricant pour plus de précision. Les vérifications suivantes doivent être réalisées sur l'équipement de réfrigération chargé avec un réfrigérant inflammable: présence d'une quantité adéquate de réfrigérant dans les sections du système en fonction de la charge de réfrigération de chaque espace devant être refroidi par chacune des sections; fonctionnement adéquat du système de ventilation, ses sorties de ventilation étant notamment libre de toute obstruction; dans un système comprenant une boucle de réfrigération indirecte: le circuit secondaire contient une quantité adéquate de réfrigérant; visibilité et lisibilité adéquates des étiquettes apposées sur l'équipement de réfrigération. Les inscriptions et les étiquettes illisibles doivent être corrigées. La tuyauterie de réfrigération et tout composant attenant sont installés de manière à minimiser leur éventuelle exposition à toute substance susceptible d'entraîner leur corrosion, sauf s'ils sont fabriqués avec des matériaux intrinsèquement résistants à la corrosion ou s'ils sont convenablement protégés contre la corrosion.

## **1.9 Inspection des dispositifs électriques**

Effectuer les vérifications de sécurité selon les règles de l'art avant d'entreprendre la réparation ou la maintenance des composants électriques. Si une éventuelle défaillance compromet la sécurité de l'équipement de réfrigération, le mettre entièrement hors tension et le laisser ainsi jusqu'à l'application d'un correctif satisfaisant. Si la défaillance ne peut être immédiatement corrigée, mais qu'il est nécessaire de poursuivre la production, une solution temporaire acceptable peut être appliquée. Une telle situation non entièrement résolue doit être promptement signalée au propriétaire de l'équipement, afin que toutes les parties en soient informées.

S'assurer de la décharge complète des condensateurs à l'aide d'une méthode sécuritaire ne produisant pas d'étincelles. S'assurer qu'aucune des surfaces exposées de tout composant ou conducteur électrique n'est sous tension lors de la charge, de la récupération ou de la purge de réfrigérant d'un équipement de réfrigération. S'assurer de la bonne continuité des masses de toutes les pièces métalliques non porteuses de courant de l'équipement de réfrigération.

## **2 RÉPARATION DE COMPOSANTS SOUS BOÎTIER ÉTANCHE**

Se sustituirán los componentes eléctricos sellados.

## **3 RÉPARATIONS DE COMPOSANTS À SÉCURITÉ INTRINSÈQUE**

Los componentes intrínsecamente seguros deberán sustituirse.

## **4 CÂBLAGE ÉLECTRIQUE**

S'assurer que le câblage électrique ne sera pas soumis à une usure ou à une corrosion prématurée, à une pression ou à des vibrations excessives, qu'il n'est pas en contact avec des arêtes vives ou qu'il ne sera pas affecté par tout autre facteur dommageable, notamment sa proximité à toute source de vibration continue (ex.: compresseurs ou ventilateurs) pouvant causer son vieillissement prématuré.

## **5 DÉTECTION DE RÉFRIGÉRANTS INFLAMMABLES**

Ne JAMAIS effectuer un essai d'étanchéité à l'aide d'une source d'inflammation pour détecter une éventuelle fuite de réfrigérant. Ne PAS effectuer un essai d'étanchéité à l'aide d'une lampe haloïde ou d'une flamme nue.

## **6 MÉTHODES DE DÉTECTION DES FUITES**

Voici les méthodes acceptables de détection des fuites dans l'équipement de réfrigération chargé avec un réfrigérant inflammable. Il est permis d'utiliser un détecteur électronique de fuite de

réfrigérant inflammable, malgré leur sensibilité souvent inadéquate ou leur mauvais étalonnage. Le détecteur de fuite doit être étalonné dans une atmosphère exempte de réfrigérant. S'assurer que le détecteur est de type antidéflagrant et qu'il est équipé de capteurs sensibles au réfrigérant approprié. La valeur de déclenchement d'une alarme doit être réglable en fonction de l'atteinte d'un certain pourcentage de la limite inférieure d'inflammabilité du gaz inflammable en question (habituellement 25% pour les réfrigérants inflammables). Il est recommandé d'utiliser une solution d'eau savonneuse pour détecter une éventuelle fuite de la plupart des réfrigérants inflammables. Ne PAS utiliser de détergents chlorés, puisque le chlore réagit avec certains réfrigérants et accélère la corrosion d'éléments de tuyauterie fabriqués en alliage de cuivre. Lors de la détection d'une fuite, mettre hors tension ou éloigner immédiatement toute source d'inflammation. Si la fuite de réfrigérant doit être colmatée par brasage, le réfrigérant inflammable contenu dans l'équipement de réfrigération doit être entièrement purgé et récupéré ou la section devant être réparée doit être purgée et isolée du reste de l'appareil à l'aide de robinets de sectionnement. Purger à l'azote haute pureté et effectuer la brasure sous atmosphère contrôlée, par injection continue du même gaz pendant la réparation.



## 7 PURGE ET ÉVACUATION DU RÉFRIGÉRANT

Les travaux effectués sur un circuit de réfrigération, comme la réparation de la tuyauterie, respectent généralement des protocoles bien établis. Toutefois, il convient de prendre des précautions particulières lors de la réalisation de travaux comportant des risques d'incendie. Par exemple, la purge de réfrigérants inflammables doit être effectuée selon la procédure suivante: purger le réfrigérant du circuit à l'aide d'un gaz inerte; relâcher le gaz inerte; purger le circuit à nouveau à l'aide du gaz inerte; effectuer les travaux requis. Recueillir le réfrigérant ainsi purgé dans des cylindres conçus pour le stockage de réfrigérant récupéré. La purge d'un appareil chargé avec un réfrigérant inflammable doit être effectuée à l'aide d'azote haute pureté pour réduire les risques d'incendie. Au besoin, effectuer plusieurs rinçages. Ne PAS utiliser de l'air comprimé ou de l'oxygène pour purger un équipement de réfrigération. La purge d'équipement de réfrigération chargée avec un réfrigérant inflammable doit être effectuée selon la procédure suivante: ouvrir la vanne brise-vide pour y laisser entrer de l'azote haute pureté et continuer à remplir l'équipement jusqu'à sa pression de service; dépressurisation pour revenir à la pression atmosphérique et enfin; mise sous vide de l'équipement. Cette procédure doit généralement répétée à plusieurs reprises. À la suite de la dernière purge effectuée avec de l'azote haute pureté, ventiler l'équipement pour le ramener à la pression atmosphérique, ce qui permettra d'effectuer les travaux.

Confirmer l'éloignement suffisant du raccord de sortie de la pompe à vide de toute source d'inflammation selon la norme IEC 60079-15:2010.

Procédures approuvées pour la réalisation de divers travaux:

### a) Mise en service

- S'assurer que la superficie de la pièce est suffisante en fonction de la quantité de réfrigérant qui sera chargée dans l'équipement de réfrigération et s'assurer de l'assemblage approprié des conduits de ventilation.
- Raccorder la tuyauterie et effectuer un essai d'étanchéité de l'équipement de réfrigération avant sa recharge en réfrigérant.
- S'assurer du bon fonctionnement des dispositifs de sécurité de l'équipement.

### b) Maintenance

- La maintenance d'un équipement de réfrigération portable doit être effectuée à l'extérieur de tout bâtiment ou dans un atelier spécialisé dans la réparation d'équipement chargé avec des réfrigérants inflammables.
- S'assurer que l'aire de travail est suffisamment ventilée.
- Une insuffisance de réfrigérant causée par une éventuelle fuite de réfrigérant pourrait être à l'origine du dysfonctionnement de l'équipement de réfrigération.
- Décharger les condensateurs par une méthode ne produisant pas d'étincelles. Le court-circuitage des bornes d'un condensateur génère typiquement des étincelles.
- Réassembler les boîtiers étanches avec soin. Remplacer les joints d'étanchéité usés et s'assurer du bon fonctionnement des dispositifs de sécurité de l'équipement avant la remise en service.

### c) Remplacer

- La maintenance d'un équipement de réfrigération portable doit être effectuée à l'extérieur de tout bâtiment ou dans un atelier spécialisé dans la réparation d'équipement chargé avec des réfrigérants inflammables.
- S'assurer que l'aire de travail est suffisamment ventilée.
- Une insuffisance de réfrigérant causée par une éventuelle fuite de réfrigérant pourrait être à l'origine du dysfonctionnement de l'équipement de réfrigération.
- Décharger les condensateurs par une méthode ne produisant pas d'étincelles.
- Le brasage de raccords doit être effectué selon la procédure suivante:
  - Purger le réfrigérant de l'équipement de réfrigération. Si la réglementation en vigueur n'exige pas la récupération du réfrigérant, le rejeter à l'extérieur du bâtiment d'une manière

ne posant aucun danger. En cas d'incertitude sur le niveau de risque de la méthode choisie, surveiller l'ouverture d'évacuation pour détecter tout éventuel dysfonctionnement, comme le refoulement du réfrigérant dans le bâtiment.

- Purge du circuit de réfrigération.
  - Purger le circuit de réfrigération à l'azote pendant 5 minutes
  - Purger le circuit de réfrigération une autre fois.
  - Retirer les pièces à remplacer par découpe et installer les nouvelles par brasage.
  - Effectuer la brasure sous atmosphère contrôlée, par injection continue d'azote. Effectuer un essai d'étanchéité de l'équipement de réfrigération avant sa recharge en réfrigérant.
  - Réassembler les boîtiers étanches avec soin. Remplacer les joints d'étanchéité s'ils sont usés et s'assurer du bon fonctionnement des dispositifs de sécurité de l'équipement avant la remise en service.
- d) Mise hors service
- Si la sécurité de l'équipement est compromise, purger tout le réfrigérant de l'équipement avant sa mise hors service.
  - S'assurer que le lieu d'installation est suffisamment ventilé.
  - Une insuffisance de réfrigérant causée par une éventuelle fuite de réfrigérant pourrait être à l'origine du dysfonctionnement de l'équipement de réfrigération.
  - Décharger les condensateurs par une méthode ne produisant pas d'étincelles.
  - Purger le réfrigérant de l'équipement de réfrigération. Si la réglementation en vigueur n'exige pas la récupération du réfrigérant, le rejeter à l'extérieur du bâtiment.

## 8 PROCÉDURE DE CHARGE EN RÉFRIGÉRANT

La procédure de charge doit être effectuée selon les règles de l'art et respecter les exigences suivantes:

- Lorsqu'un même équipement de charge est utilisé avec divers types de réfrigérants, effectuer une purge avant de le réutiliser avec un réfrigérant différent de celui utilisé lors de la charge précédente, afin d'éviter la contamination croisée du nouveau type de réfrigérant. La tuyauterie de l'équipement de charge doit être aussi courte que possible, afin de minimiser leur contenance en réfrigérant.
- Les cylindres doivent être maintenus à la verticale.
- S'assurer que l'équipement de réfrigération est mis à la terre avant de le charger en réfrigérant. -Apposer une étiquette signalétique du réfrigérant chargé dans l'équipement de réfrigération.
- La charge d'un équipement de réfrigération nécessite une attention soutenue, afin d'éviter toute surcharge.
- Effectuer un essai d'étanchéité de l'équipement de réfrigération à l'azote haute pureté avant sa recharge en réfrigérant. Effectuer immédiatement un essai d'étanchéité de l'équipement de réfrigération après sa charge en réfrigérant, sans attendre sa mise en service. Effectuer un dernier essai d'étanchéité de l'équipement de réfrigération avant de quitter le chantier.

## 9 MISE HORS SERVICE

Avant d'entreprendre la mise hors service, étudier attentivement la configuration de l'équipement de réfrigération et identifier tous ses composants. Il est recommandé de récupérer le réfrigérant de manière sécuritaire. Avant de purger l'équipement de réfrigération, prélever des échantillons de lubrifiant et de réfrigérant, ce qui permettra de caractériser les produits ainsi recyclés avant leur éventuelle réutilisation. S'assurer de la disponibilité d'une alimentation électrique de capacité suffisante avant d'entreprendre les travaux.

- a) Étudier attentivement la configuration de l'équipement et ses principes de fonctionnement.

- b) Couper l'alimentation électrique de l'équipement de réfrigération.
- c) Avant d'entreprendre les travaux, effectuer les vérifications suivants: disponibilité, au besoin, de l'équipement de manutention des cylindres de réfrigérant; disponibilité des ÉPI requis pour minimiser l'exposition aux risques présents et connaissance de leur mode d'emploi par le personnel; disponibilité d'une personne qualifiée pour superviser en continu la récupération du réfrigérant; conformité de l'équipement de récupération et des cylindres de stockage du réfrigérant récupéré.
- d) Si possible, porter l'équipement de réfrigération à pression négative.
- e) S'il n'est pas possible de dépressuriser l'équipement tout entier, fabriquer un collecteur qui permettra de purger ses diverses sections par étapes successives.
- f) Placer un cylindre sur une balance avant d'entreprendre la récupération.
- g) Mettre en marche et utiliser l'équipement de récupération conformément aux directives du fabricant.
- h) Ne PAS surcharger les cylindres (max.: 80% du volume liquide).
- i) Ne PAS surpressuriser les cylindres au-delà de leur pression nominale, même temporairement.  
À la conclusion des travaux, transporter promptement hors du chantier les cylindres remplis de manière appropriée, ainsi que l'équipement mis hors service. S'assurer de la fermeture étanche de toutes les vannes d'isolation de l'équipement.
- j) Le réfrigérant récupéré doit être caractérisé, nettoyé et recertifié avant sa réutilisation.

## 10 ÉTIQUETAGE

Apposer sur tout équipement de réfrigération mis hors service une étiquette indiquant cet état et qu'il a été purgé de son réfrigérant. L'étiquette doit être datée et signée.

Apposer sur tout équipement de réfrigération chargé en réfrigérant une étiquette indiquant qu'il contient un réfrigérant inflammable.

## 11 RÉCUPÉRATION

Il est recommandé de purger le réfrigérant de manière sécuritaire lors de l'entretien ou de la mise hors service de tout équipement de réfrigération. Le réfrigérant purgé doit être transféré dans des cylindres conçus pour le stockage de réfrigérant récupéré. Prévoir la disponibilité d'un nombre suffisant de cylindres, dont la capacité permettra le stockage de l'entièreté de la charge de réfrigérant contenue dans l'équipement de réfrigération. Apposer sur tout cylindre conçu pour le stockage de réfrigérant récupéré une étiquette d'identification du réfrigérant qui peut y être transféré. Les cylindres doivent être dans leur état d'intégrité originale, étant notamment munis d'une soupape de surpression et de robinets d'arrêt en bon état. Les cylindres de récupération vides doivent être purgés et refroidis, si possible, avant leur remplissage avec du réfrigérant récupéré.

L'équipement de récupération doit être en bon état de marche, accompagné de ses instructions d'utilisation et conçu pour la récupération de réfrigérant inflammable. Prévoir la disponibilité de balances étalonnées et en bon état d'utilisation. La tuyauterie de l'équipement de récupération doit être dans son état d'intégrité originale, étant notamment munie de raccords étanches et en bon état. Inspecter l'équipement de récupération avant toute utilisation, afin de confirmer son bon état de fonctionnement, son entretien approprié et l'étanchéité de tous les boîtiers contenant des composants électriques, ce qui préviendra l'inflammation d'une éventuelle fuite de réfrigérant. Consulter le fabricant pour plus de détails à ces sujets.

Le réfrigérant récupéré doit être retourné à son fournisseur d'origine dans des cylindres conçus pour le stockage de réfrigérant récupéré et accompagnés des documents d'expédition de matières dangereuses correctement établis par l'expéditeur. Ne JAMAIS mélanger des réfrigérants différents, plus particulièrement dans les cylindres conçus pour le stockage de réfrigérant récupéré avec

S'assurer de vidanger une quantité suffisante de lubrifiant des compresseurs, soit sous les niveaux recommandés par le fabricant, ce qui libère et permet la purge de tout réfrigérant résiduel. Les compresseurs doivent être préalablement vidangés de leur lubrifiant, avant leur réexpédition au fabricant. L'utilisation du dispositif de chauffage électrique du carter de lubrifiant du compresseur est la seule technique approuvée pour accélérer la vidange du compresseur. Les lubrifiants vidangés de l'équipement de réfrigération doivent être manutentionnés avec soins.

### **Compétence du personnel d'entretien - Généralités**

La réalisation de travaux de réparation sur de l'équipement chargé de réfrigérant inflammable nécessite le suivi d'une formation spécialisée.

Cette formation est généralement dispensée par des organismes de formation accrédités à l'échelle nationale, porte habituellement sur des exigences découlant de normes et codes nationaux et la démonstration d'une maîtrise satisfaisante est formalisée par la délivrance d'un certificat de compétences.

### **Formation**

La formation doit porter sur les éléments suivants:

Le potentiel de destruction explosif des réfrigérants inflammables, lors de leur manutention inappropriée.

Information sur les diverses sources d'inflammation, notamment celles qui sont le plus souvent oubliées, comme les briquets, interrupteurs d'éclairage, aspirateurs et plinthes électriques.

Information sur divers concepts liés à la sécurité:

Boîtier non ventilé: Le fonctionnement sécuritaire de l'appareil ne nécessite pas un apport additionnel d'air de ventilation au boîtier. Ainsi, la mise à l'arrêt de l'appareil ou l'ouverture du boîtier affecte le niveau de sécurité de manière négligeable. Toutefois, l'ouverture du boîtier pourrait libérer l'importante accumulation de réfrigérant qui pourrait s'y être formée par suite d'une infiltration, ce qui risquerait d'exposer le travailleur à une atmosphère inflammable.

Boîtier ventilé: le niveau de sécurité de l'appareil varie en fonction du débit d'air de ventilation dans le boîtier. Ainsi, la mise à l'arrêt de l'appareil ou l'ouverture du boîtier affecte le niveau de sécurité de manière importante. Il faut s'assurer de la présence d'un débit d'air de ventilation suffisant dans le boîtier avant de l'ouvrir.

Pièce ventilée: le niveau de sécurité de l'appareil varie en fonction du débit d'air de ventilation dans la pièce. Ainsi, la mise à l'arrêt de l'appareil ou l'ouverture du boîtier affecte le niveau de sécurité de manière négligeable. Ne pas couper l'apport d'air de ventilation lors de la réalisation de travaux de réparation.

Information sur l'étanchéité de certains composants et boîtier. Rejeter le réfrigérant à l'extérieur du bâtiment, d'une manière ne posant aucun danger. En cas d'incertitude sur le niveau de risque de la méthode choisie, surveiller l'ouverture d'évacuation pour détecter tout éventuel dysfonctionnement, comme le refoulement du réfrigérant dans le bâtiment.

- Purge du circuit de réfrigération.
- Purger le circuit de réfrigération à l'azote pendant 5 minutes
- Purger le circuit de réfrigération une autre fois.
- Charger l'équipement en azote à pression atmosphérique.
- Apposer sur tout équipement de réfrigération non chargé une étiquette indiquant qu'il a été purgé de son réfrigérant. e) Élimination
- S'assurer que l'aire de travail est suffisamment ventilée.
- Purger le réfrigérant de l'équipement de réfrigération. Si la réglementation en vigueur n'exige pas la récupération du réfrigérant, le rejeter à l'extérieur du bâtiment, d'une manière ne posant aucun danger. En cas d'incertitude sur le niveau de risque de la méthode choisie, surveiller l'ouverture d'évacuation pour détecter tout éventuel dysfonctionnement, comme le refoulement du réfrigérant dans le bâtiment.
- Purge du circuit de réfrigération.
- Purger le circuit de réfrigération à l'azote pendant 5 minutes

- Purger le circuit de réfrigération une autre fois.
- Arrêter le compresseur et le vidanger de son lubrifiant.

### **Transport, étiquetage et entreposage d'équipement de réfrigération chargé avec du réfrigérant inflammable**

Réglementation additionnelle pouvant s'appliquer au transport d'équipement contenant des gaz inflammables. Réglementation additionnelle établissant des limites quant au nombre ou à la compatibilité de l'équipement pouvant être transporté dans un même chargement.

### **Affichage relatif à l'équipement de réfrigération**

Les exigences relatives à l'affichage obligatoire en matière de santé et sécurité sur le lieu de travail sont généralement édictées au niveau provincial ou local.

Les affiches obligatoires doivent être maintenues en bon état et l'employeur doit s'assurer de la réception par tous les employés d'instructions claires et suffisamment détaillées, ainsi que du suivi par tous les employés de formations appropriées portant sur l'interprétation de la signalisation de sécurité, ainsi que sur les obligations ou restrictions qu'elles imposent.

L'efficacité du message transmis par les affiches ne doit pas être compromise par le placardage d'une quantité excessive d'affiches sur une superficie insuffisante. Les pictogrammes utilisés doivent être aussi simples que possible et uniquement contenir les détails essentiels à la transmission d'un message.

Réglementation sur l'élimination d'équipement de réfrigération chargé avec du réfrigérant inflammable.

### **Entreposage de l'équipement de réfrigération**

Les conditions d'entreposage de l'équipement de réfrigération doivent être conformes aux directives émises à ce sujet par le fabricant. Entreposage d'équipement emballé (invendu)

L'emballage d'entreposage doit pouvoir contenir toute éventuelle fuite de réfrigérant résultant de dommages matériels subis par l'équipement emballé.

La réglementation limitant la quantité d'équipement de réfrigération pouvant être entreposé dans un même lieu est généralement édictée au niveau provincial ou local.

## 2. Illustration des pièces

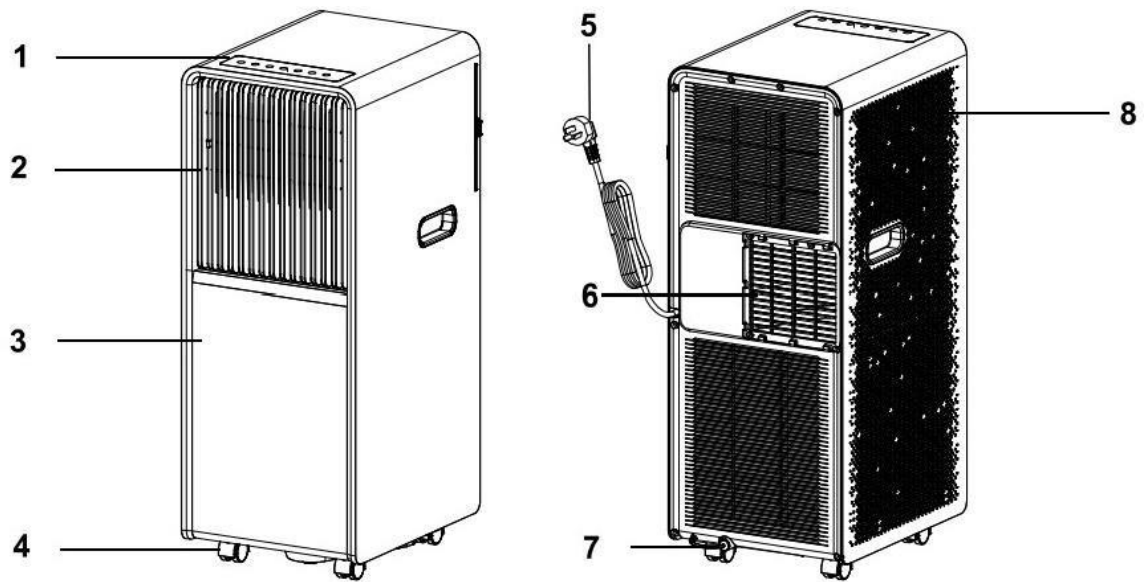










Figure 1

1	Panneau de commande	5	Cordon d'alimentation
2	Grilles	6	Sortie d'air
3	Panneau avant	7	Raccord de drainage
4	Roulettes	8	Admission d'air

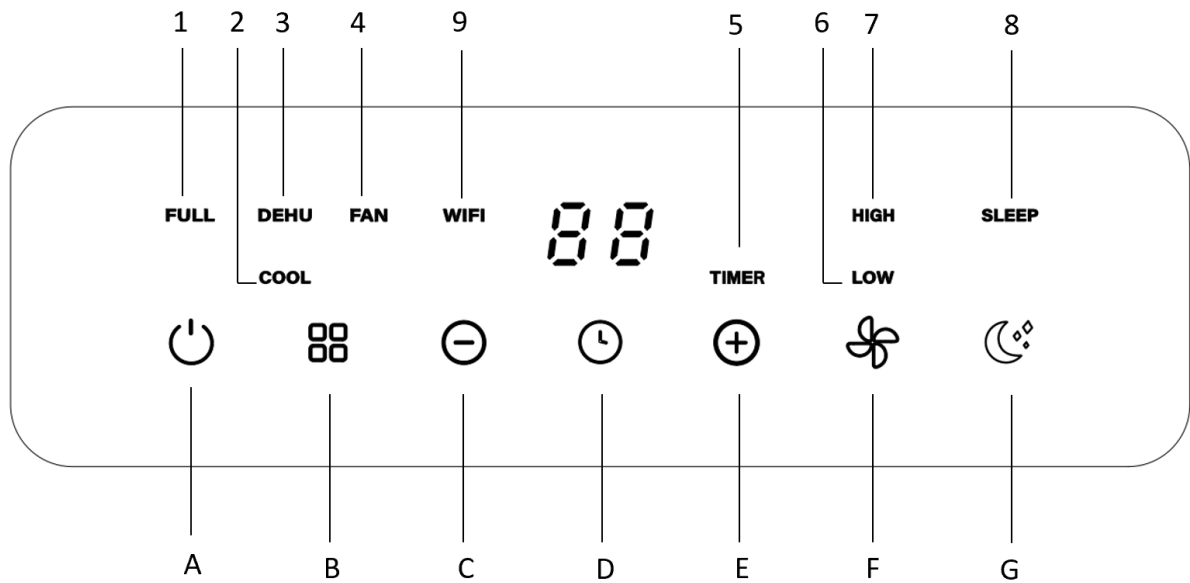
### 3. Accessoires

N° pièce	Description	Quantité
	Tuyau d'évacuation	1
	Connecteur de fenêtre	1
	Adaptateur de boîtier	1
	Télécommande à écran ACL	1
	Adaptateur de fenêtre	1 (optionnel)
	Sortie d'air	1 (optionnel)
	Conduite d'eau	1 (optionnel)
	Piles	2 (optionnel)

Ouvrir l'emballage, vérifier l'inclusion de tous les accessoires décrits ci-dessous et consulter le manuel pour vous familiariser aux principes de fonctionnement de l'appareil.

## 4. Apparence et fonctions du panneau de commande

(modèle climatisation + Wi-Fi)

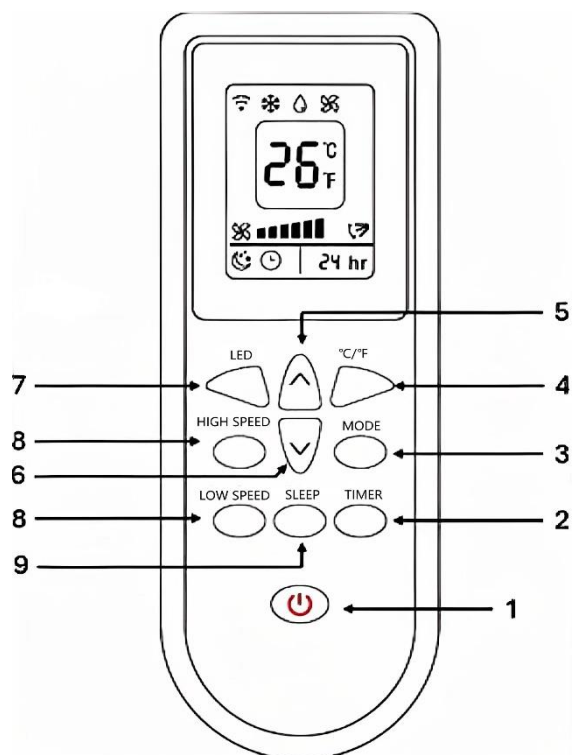


A	Marche / Arrêt	2	Climatisation
B	Mode de fonctionnement	3	Déshumidification
C	Temporizador/Temperatura disminuyendo	4	Ventilation
D	Temporizador/Temperatura en aumento	5	Timer
E	Hausser température	6	Rotation basse vitesse
F	Vitesses du ventilateur	7	Rotation haute vitesse
G	Mode	8	Veille
1	Bac plein	9	WIFI

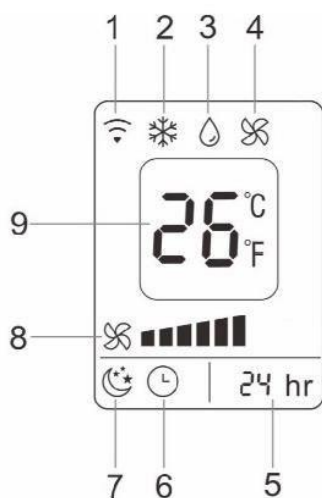


## 5. Apparence et fonctions de la télécommande

### Télécommande à écran ACL (modèle à réfrigération)



1	Marche / Arrêt
2	Minuterie Marche / Arrêt
3	Mode de fonctionnement
4	Sélecteur °C / °F
5	Hausser température
6	Réduire température
7	Éclairage à DEL
8	Vitesses du ventilateur
9	Mode Sommeil



1	Réception du signal
2	Climatisation
3	Déshumidification
4	Ventilation
5	Mode rendement élevé
6	Minuterie Marche / Arrêt
7	Mode Sommeil
8	Vitesses du ventilateur
9	Affichage de la température

#### Notes:

- Ne PAS laisser tomber la télécommande.
- Ne PAS exposer la télécommande à la lumière directe du soleil.

## 6.Principes de fonctionnement

Avant d'entreprendre l'assemblage de l'appareil:

- 1) Sélectionner un emplacement d'installation aisément alimentable en électricité.
- 2) Installer le tuyau d'évacuation comme indiqué aux Figures 2 et 2a et s'assurer de son bon ajustement

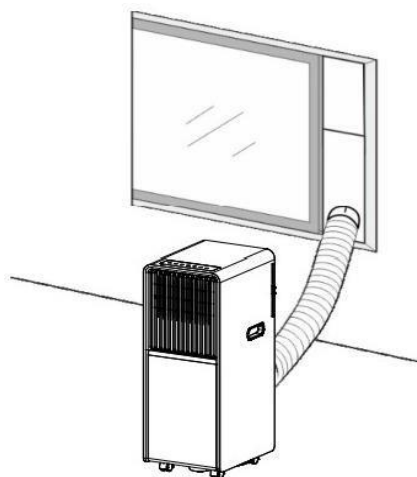


Fig.2

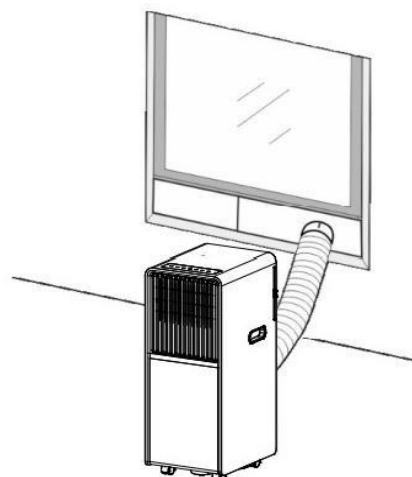


Fig.2a

sur la fenêtre.

- 3) Raccorder le boyau de drainage comme illustré à la Figure 6 (modèle avec chauffage uniquement);
- 4) Insérer le connecteur du cordon d'alimentation dans une prise électrique murale de 115 Vca / 60 Hz convenablement mise à la masse;
- 5) Appuyez sur le bouton POWER pour mettre le climatiseur en marche.

### 1. Lire cet avis avant d'utiliser l'appareil:

#### - Température de fonctionnement

	Temp. max. de climatisation	Temp. min. de climatisation
DB/WB(F)	95/75	64/53

S'assurer de l'acheminement approprié du tuyau d'évacuation. Mises en garde, modes de climatisation et de déshumidification:

- Lorsque l'appareil est mis en marche en mode de climatisation ou de déshumidification, il faut laisser l'appareil fonctionner pendant au moins 3 minutes avant de le remettre à l'arrêt.
- Raccorder l'appareil à une source de tension CA alimentée par un circuit électrique dont les caractéristiques sont suffisantes.
- Ne pas connecter plus d'un seul appareil à une même et unique prise électrique murale. Tension d'alimentation minimale: 115 Vca, 60 Hz

### 2. Mode de climatisation

Appuyer sur le bouton « Mode » jusqu'à l'affichage de l'icône « Cool ».

Appuyer sur le bouton « ▲ » ou « ▼ » pour atteindre la température-cible, de 61 à 88°F. Appuyer sur le bouton « Fan Speed » pour régler la ventilation.

### 3. Mode de déshumidification

Appuyer sur le bouton « Mode » jusqu'à l'affichage de l'icône « Dehumidify ».

La température-cible est automatiquement réglée à la température de la pièce moins 4°F, dans les limites de la plage 61 à 88°F. La basse vitesse de ventilation est automatiquement sélectionnée.

### 4. Mode ventilation

Appuyer sur le bouton « Mode » jusqu'à l'affichage de l'icône « Fan ». Appuyer sur le bouton « Fan Speed » pour sélectionner la vitesse de rotation.

### 5. Utilisation de la minuterie

#### Réglage de l'heure de mise en marche:

L'appareil étant éteint (OFF), appuyer sur le bouton « Timer » et sélectionner l'heure de mise en marche (ON) requise à l'aide des boutons de réglage de la température et de l'heure.

“Preset ON Time” is displayed on the operation panel. L'appareil peut être mis en marche à tout moment sur un cycle de 24 heures.

Appuyer à nouveau sur le bouton « Minuterie » pour confirmer; l'indicateur de minuterie s'allumera.

Pour désactiver la minuterie, appuyer sur le bouton « Minuterie » jusqu'à l'extinction de l'indicateur de minuterie.

#### Réglage de l'heure d'arrêt:

L'appareil étant en marche (ON), appuyer sur le bouton « Timer » et sélectionner l'heure d'arrêt (OFF) requise à l'aide des boutons de réglage de la température et de l'heure.

“Preset OFF Time” s'affiche sur l'écran du module de commande. L'appareil peut être mis à l'arrêt à tout moment sur un cycle de 24 heures.

Appuyer à nouveau sur le bouton « Minuterie » pour confirmer; l'indicateur de minuterie s'allumera.

Pour désactiver la minuterie, appuyer sur le bouton « Minuterie » jusqu'à l'extinction de son indicateur.

### 6. Mode Sommeil

- Si en mode réfrigération, appuyer sur la touche SLEEP pour régler la température. | Rehausse la température-cible de 2°F après une heure et d'au plus 4°F après 2 heures.
- Si en mode chauffage, appuyer sur la touche SLEEP pour régler la température. Abaisse la température-cible de 2°F après une heure et d'au plus 4°F après 2 heures.
- Appuyez à nouveau sur la touche SLEEP pour supprimer ce réglage.

## 7. Drainage du bac

### Capteur du niveau de remplissage du bac

Le bac interne du climatiseur est équipé d'un capteur qui mesure sa hauteur de remplissage. Quand le niveau d'eau du bac atteint la hauteur de déclenchement, l'indicateur de bac plein s'allume. Quand le bac est pleinement rempli d'eau, retirer le bouchon en caoutchouc au bas de l'appareil pour le vider complètement.

### Drainage en continu

S'il est prévu que l'appareil restera à l'arrêt pendant une longue période, retirer le bouchon en caoutchouc au bas de l'appareil pour vider le bac entièrement.

Quand l'appareil fonctionne en mode COOL ou DEHUMIDIFY, le drainage du bac en continu ne procure pas vraiment d'avantage. L'appareil est équipé d'une pompe de pulvérisation automatique d'eau sur le serpentin de condensation, ce facilite l'évaporation de l'eau de condensation. S'assurer que le raccord de drainage est hermétiquement fermé.



En cas d'endommagement de la pompe de pulvérisation, la connexion d'un boyau de drainage au raccord de drainage inférieur (voir Fig. 6) permettra au bac de se vider en continu et rétablira le fonctionnement normal de l'appareil.

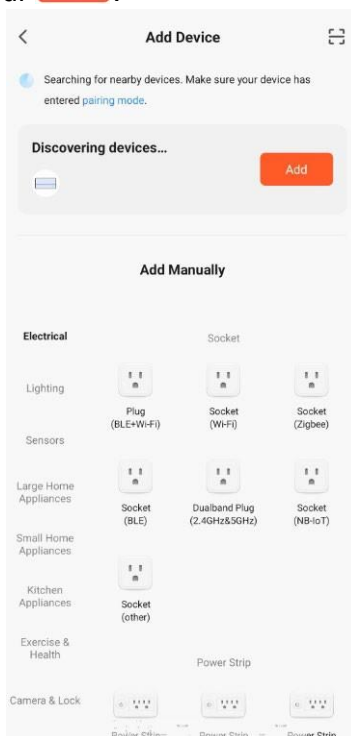
En cas d'endommagement de la pompe de pulvérisation, il est aussi possible de reconfigurer l'appareil de la façon permettant au bac de se vider par intermittence. Dans ce cas, à la suite de l'allumage de l'indicateur de bac plein, connecter un boyau de drainage au raccord de drainage inférieur pour vider complètement le bac et rétablir le fonctionnement normal de l'appareil.

## 8. Connectivité Wi-Fi (certains modèles)

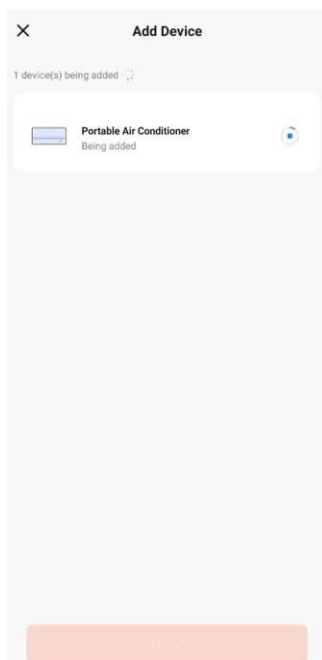
- Appuyer sur le bouton SPEED pendant 5 secondes pour activer le mode de configuration Wi-Fi;
- Le clignotement rapide de l'indicateur Wi-Fi confirme la sélection du EZ mode Wi-Fi; un clignotement lent indique la sélection du mode de jumelage Wi-Fi avec l'appli;
- Pour les modèles équipés des interfaces Wi-Fi et Bluetooth, activer les services de localisation et de communication Bluetooth. Ensuite, autoriser l'application à utiliser les services de localisation et de communication Bluetooth de votre téléphone. Les modèles équipés des interfaces Wi-Fi et Bluetooth sont en général automatiquement détectés par l'application. Au besoin, sélectionner « Climatiseur portatif » dans l'application. Enfin, sélectionner le « Mode Wi-Fi » en haut à droite de l'écran, puis sélectionner « Bluetooth » ;
- Télécharger l'application **ComfortPro** et ouvrir une session utilisateur. Votre climatiseur portatif sera automatiquement détecté et une fenêtre contextuelle semblable à celle illustrée ci-dessous s'affichera à l'écran.






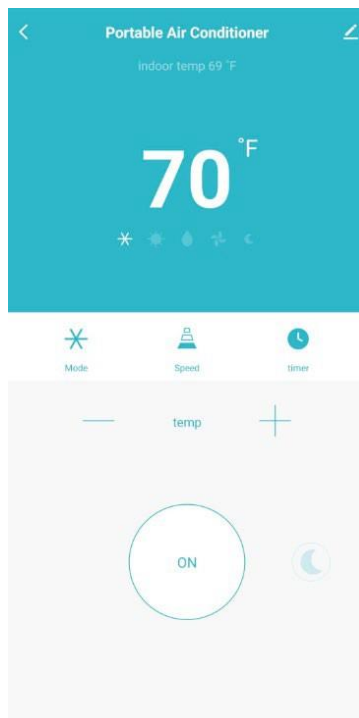
- Si votre climatiseur portatif n'est pas automatiquement détecté, appuyer sur  dans le coin supérieur droit, puis ensuite sur .



- Saisir le mot de passe de votre réseau Wi-Fi et appuyer sur Démarrer pour lancer le jumelage. Si le jumelage échoue, répéter les étapes précédentes.



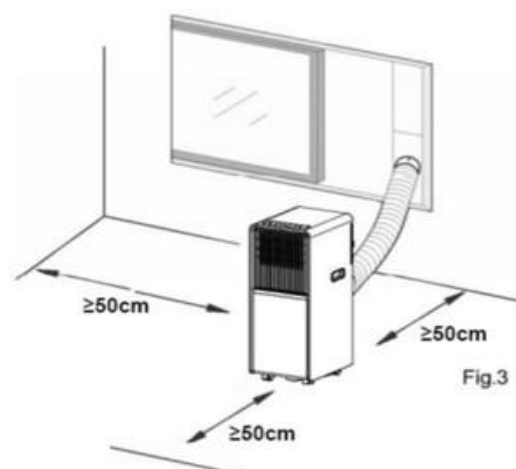
- Paramètres configurables dans l'application:
  - Étape 1 – appuyer sur  pour les modes de fonctionnement
  - Étape 2 – appuyer sur  pour régler la vitesse de transmission
  - Étape 3 – appuyer sur  pour régler la minuterie



## 7. Directives d'installation

### 1. Directives d'installation

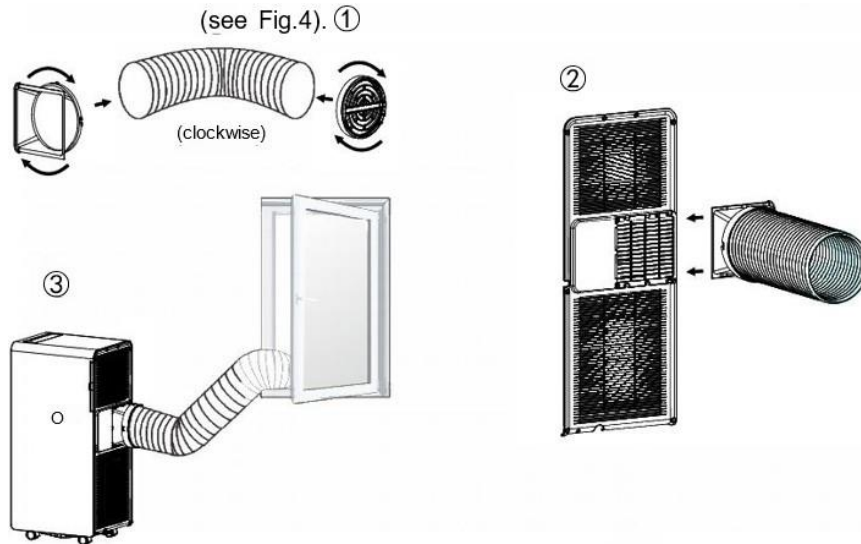
- Ce climatiseur à évacuation d'air chaud doit être installé sur une surface plane dont le périmètre en entier est libre de tout obstacle pouvant affecter son fonctionnement. Ne pas obstruer l'ouverture d'évacuation et prévoir une distance de dégagement de 500 mm autour de celle-ci (voir Figure 3)
- Ne PAS installer l'appareil dans un lieu humide (ex.:buanderie).
- Le circuit électrique alimentant le climatiseur en électricité doit être conforme aux exigences de l'édition en vigueur du Code canadien de l'électricité, Première partie, CSA C22.1.



## 2. Directives d'installation du tuyau d'évacuation

### A) Installation temporaire

1. Insérer et visser en place l'adaptateur de boîtier et le connecteur de fenêtre à chaque extrémité du tuyau d'évacuation.
2. Insérer la barrette de fixation de l'adaptateur de boîtier dans les ouvertures correspondantes à l'arrière du climatiseur.
3. Déposer l'autre extrémité du tuyau d'évacuation sur le rebord de la fenêtre.



## B) Installation de l'adaptateur de fenêtre

L'adaptateur de fenêtre peut être installé « horizontalement » ou « verticalement », comme illustré aux Figures 5 et 5a. Vérifier si la taille de l'adaptateur est suffisante pour recouvrir l'aire ouverte de la fenêtre, avant d'entreprendre l'installation.

1. Installer l'adaptateur de fenêtre sur celle-ci (voir Figures 5 et 5a);
2. Modifier la taille de l'adaptateur de fenêtre pour qu'il recouvre parfaitement l'aire libre de la fenêtre et le fixer en place avec le goujon;
3. Insérez le connecteur de fenêtre du tuyau dans l'ouverture correspondante de l'adaptateur de fenêtre (voir Figure 5b).

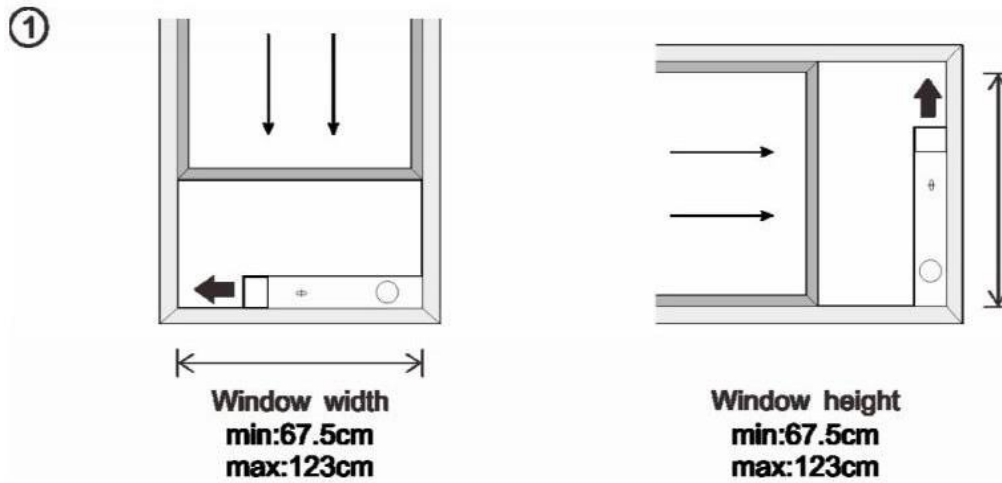


Figure 5 Figure 5a

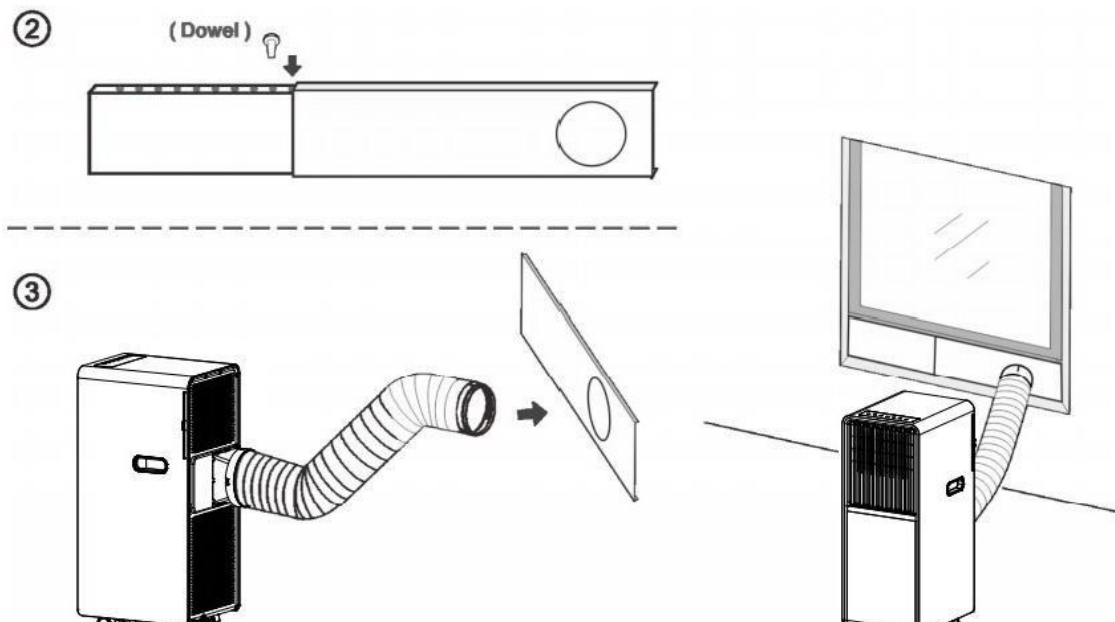


Figure 5b



### Capteur du niveau de remplissage du bac

Le bac interne du climatiseur est équipé d'un capteur qui mesure sa hauteur de remplissage. Quand le niveau d'eau du bac atteint la hauteur de déclenchement, l'indicateur de bac plein s'allume. À noter: si la pompe de pulvérisation est en panne et que le bac est pleinement rempli d'eau, retirer le bouchon en caoutchouc au bas de l'appareil pour le vider complètement..

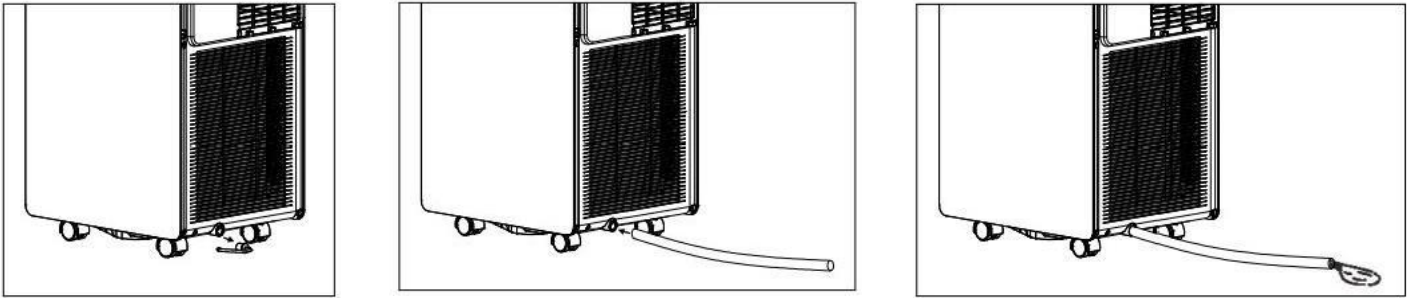
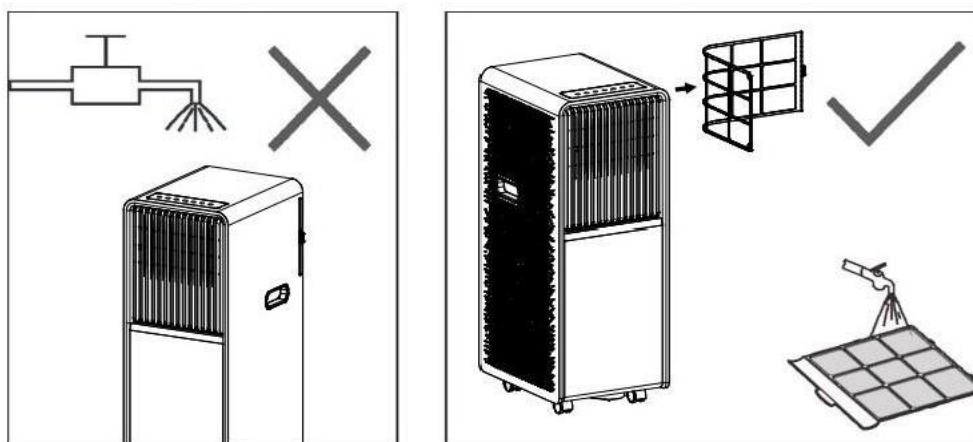


Fig.6

## 8. Directives d'entretien

### Avertissements:

- 1) Avant de nettoyer l'appareil, déconnecter la fiche du cordon d'alimentation de la prise électrique murale;
- 2) Ne PAS utiliser d'essence ou tout autre produit chimique comme produit nettoyant;
- 3) Ne PAS exposer l'appareil à un jet d'eau direct;
- 4) En cas d'endommagement du climatiseur, communiquer avec le vendeur ou un atelier de réparation autorisé.



### 1. Filtre à air

- Il est recommandé de nettoyer le filtre aux deux semaines pour éviter son colmatage par une éventuelle accumulation de poussière ou de saleté.
- Retrait  
Ouvrir la grille de l'ouverture d'admission d'air et retirer le filtre à air.
- Nettoyage  
Nettoyer le filtre à air avec une solution l'eau tiède (104°F) et de détergent doux. Laisser sécher à l'ombre.
- Réinsertion  
Replacer le filtre à air sur la grille de l'ouverture d'admission d'air et retourner la grille à sa position d'origine.

### 2. Nettoyage des surfaces du climatiseur

Nettoyer les panneaux avec un chiffon humide imbibé de détergent doux, puis l'assécher avec un chiffon sec.

## 9. Dépannage

Condition	Causes probables	Dépannage suggéré
1. L'appareil ne se met pas en marche à la suite d'un appui du bouton marche/arrêt.	L'indicateur de bac plein clignote et le bac est pleinement rempli d'eau.	Vider complètement le bac.
	- La température ambiante est supérieure à la température-cible (Electric heating mode)	Sélectionner une autre température-cible
	- La température ambiante est inférieure à la température-cible (mode de climatisation)	Sélectionner une autre température-cible
2. Refroidissement insuffisant	- Infiltrations d'air par les portes et fenêtres.	Fermer complètement toutes les portes et fenêtres.
	- Présence d'une source de chaleur indésirable dans la pièce.	Réduire le nombre ou l'intensité des sources de chaleur indésirables.
	- Blocage ou mauvais raccordement du tuyau d'évacuation.	Raccorder ou nettoyer le tuyau d'évacuation.
	- Température-cible trop élevée.	Sélectionner une autre température-cible
	- Blocage de l'ouverture d'admission d'air	Nettoyer l'ouverture d'admission d'air
3. Bruit excessif	Surface pas au niveau ou insuffisamment plane.	Installer l'appareil sur une surface plane et au niveau.
	- Le bruit est produit par l'écoulement du réfrigérant à l'intérieur du climatiseur.	C'est une situation normale.
4. Code E0	Défaillance du capteur de température ambiante	Remplacer le capteur de température ambiante (l'appareil peut fonctionner normalement sans ce capteur).
5. Code E1	Défaillance du capteur de température de condensation	Remplacer le capteur de température de condensation
6. Code E2	Bac plein en mode climatisation	Retirer le bouchon en caoutchouc et vider l'eau.
7. Code E3	Défaillance du capteur de température de condensation.	Remplacer le capteur de température de l'évaporateur.
8. Code E4	Bac plein en mode chauffage	Vider complètement le bac.

**Note: l'aspect visuel des produits courants peut légèrement différer.**