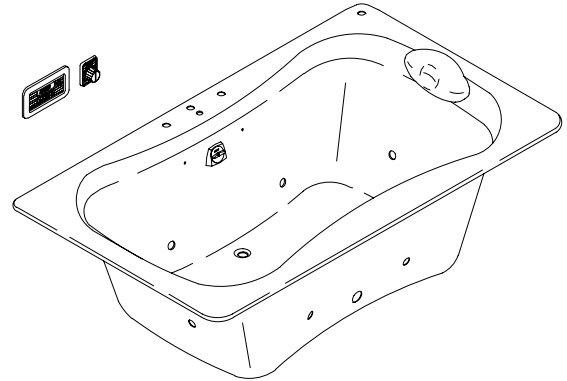


FEATURES

- 72" x 42" x 24"
- Acrylic
- System III - 2 hp variable flow pump with integral heater, electronic switch, and pulsating neckjets with pillow
- 6 Flexjets
- UL Listed
- LESS ALL TRIM
- Drilled for K-9596 grip rails (required)
- Autofill bath system
- Pump is supplied with a grounding-type plug in cord

K-1466-H1, K-1466-N



CODES/STANDARDS APPLICABLE

Specified model meets or exceeds the following:

- ANSI Z124.1
- ASME/ANSI A112.19.7M
- IAPMO/UPC
- Underwriters Laboratories (UL)
- State of Massachusetts

COLORS/FINISHES

- 0 White
- Other Refer to Fixtures Price Book for additional colors

Accessories:

- CP Polished Chrome
- PB Polished Brass
- Other Refer to Faucets Price Book for additional finishes
- NA None Applicable

SPECIFIED MODEL:

| Model | Description | Colors/Finishes | |
|-----------|---|----------------------------------|-------------------------------------|
| K-1466-H1 | Bath whirlpool less neckjets and pillow | <input type="checkbox"/> 0 White | <input type="checkbox"/> Other_____ |
| K-1466-N | Bath whirlpool with neckjets and pillow | <input type="checkbox"/> 0 White | <input type="checkbox"/> Other_____ |

| Required Accessories | | | | |
|----------------------|--|-----------------------------|-----------------------------|-------------------------------------|
| K-9696 | Jet trim kit | <input type="checkbox"/> CP | <input type="checkbox"/> PB | <input type="checkbox"/> Other_____ |
| K-9589 | Flair™ faucet trim kit (with drain) OR | <input type="checkbox"/> CP | <input type="checkbox"/> PB | |
| K-9599 | Alternia™ faucet trim kit (with drain) | <input type="checkbox"/> CP | <input type="checkbox"/> PB | <input type="checkbox"/> Other_____ |
| K-9591 | Autofill Flair mixer handle OR | <input type="checkbox"/> CP | <input type="checkbox"/> PB | |
| K-9603 | Autofill Alternia mixer handle | <input type="checkbox"/> CP | <input type="checkbox"/> PB | <input type="checkbox"/> Other_____ |
| K-9596 | Grip rails (pair) | <input type="checkbox"/> CP | <input type="checkbox"/> PB | <input type="checkbox"/> Other_____ |
| Optional Accessories | | | | |
| K-1179 | Vinyl tiling-in bead (use when wall material contacts any top surface of bath) | | | <input type="checkbox"/> NA |

PRODUCT SPECIFICATION:

The bath whirlpool shall be 72" in length, 42" in width, and 24" in height. Bath whirlpool shall be made of acrylic. Bath whirlpool shall have System III, with 6 Flexjets, 2 hp variable flow pump with integral heater, electronic switch, and pulsating neckjets with pillow. Bath whirlpool shall be UL Listed. Bath whirlpool shall be less all trim. Bath whirlpool shall be drilled for K-9596 grip rails(required). Bath whirlpool shall have Autofill™ bath system. Bath whirlpool pump shall be supplied with a grounding-type plug-in cord. Bath whirlpool shall be Kohler Model K-1466-_____-_____.

INFINITY ∞ BATH™

REQUIRED ELECTRICAL SERVICE

| | |
|--|--------------------------------|
| Circuits protected with Class A Ground-Fault Circuit-Interrupter (GFCI): | |
| Pump/control | 120 V, 20 A, 60 Hz (dedicated) |
| Autofill system | 120 V, 15 A, 60 Hz |

PRODUCT INFORMATION

| Fixture*: | basin area | top area | weight |
|--------------|-------------|-----------|----------|
| Bathing well | 48" x 29" | 66" x 36" | 175 lbs. |
| | water depth | capacity | |
| To overflow | 18" | 118 gals. | |

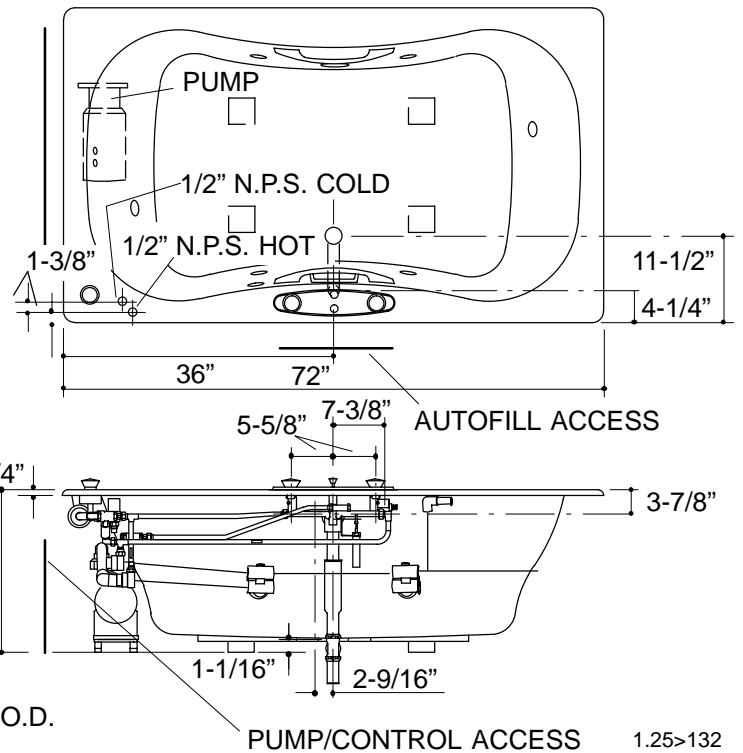
* Approximate measurements for comparison only.

| Pump: | HP | V | Hz | A |
|---------|----|-----|----|------|
| 1-speed | 2 | 120 | 60 | 18.5 |

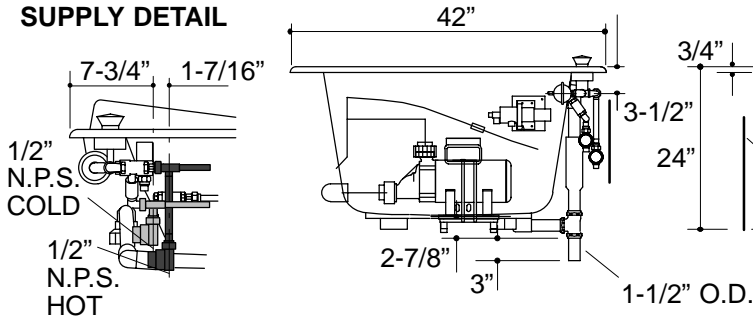
INSTALLATION NOTES

Pump is supplied with a grounding-type plug-in cord. Locate the outlet behind the whirlpool, and within 24" of the pump.

| Roughing-In Notes | | |
|--|---------------------|----------|
| Cut-out | 70-1/2" x 40" | |
| No change in measurements if connected with drain illustrated. | | |
| Minimum access: | | |
| Pump/control | 40" W x 15" H panel | required |
| Autofill | 14-1/2" W x 12" H | required |



SUPPLY DETAIL



PUMP/CONTROL ACCESS 1.25>132

PRODUCT DIAGRAM