

# SPECIFICATIONS

## FIGURE 7869 STRUT ACCESSORIES



### SIDE BEAM BRACKET

#### FEATURES

- Available in 3/8" & 1/2"
- Two stock finish options: Electro-galvanized (Z) and plain (P)
- Non-threaded
- Intended to be fastened to a joist or wall to support threaded hanger rod
- Made in the USA

#### PRODUCT SPECIFICATIONS

##### Material Specifications and Finishes

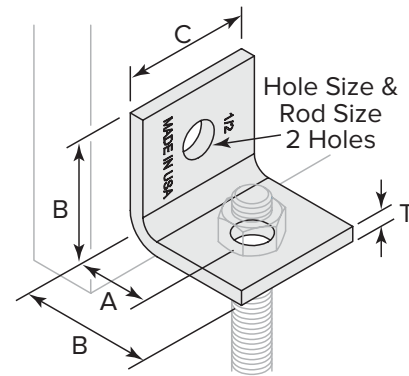
Carbon Steel – ASTM A1011-00 SS GR 33 or ASTM A1011-00CS Type B

**Z:** Electro-Galvanized. Electroplating deposits zinc on the surface of the steel by electrolysis from a bath of zinc salts. Recommended for relatively dry indoor use. This is the standard coating for most FNW strut products. Thickness of applied zinc is between 0.2 mils to 0.5 mils [5.1 µm to 12.7 µm]. Coatings on FNW electro-galvanized products meet ASTM B633 SC1 Type III.

**P:** Plain. No coating on the steel except some oil left on the part from the pickle and oil or fabrication process.

**S4:** 304 Stainless Steel – ASTM A240 (Type 304)

**S6:** 316 Stainless Steel – ASTM A240 (Type 316), 316 Stainless Steel Nuts – ASTM A276-03



Catalog Number	Finish	Rod Size	Hole Size		A		B		C		T		Weight	
			in.	mm	in.	mm	in.	mm	in.	mm	in.	mm	lbs	kg
FNW7869Z0037	Electro-Galv.	3/8"-16	7/16	11									0.44	0.200
FNW7869Z0050	Electro-Galv.	1/2"-13	9/16	14	1-3/16	30	2	51	2	51	1/4	6	0.435	0.197
FNW7869P0037	Plain	3/8"-16	7/16	11									0.44	0.200
FNW7869P0050	Plain	1/2" - 13	9/16	14									0.435	0.197